

**NEW**

# FHC ALUMINUM® 300T & 500T Series

Thermal Strut Entrance Doors and Storefront System

PROFESSIONAL GRADE

**FHC ALUMINUM®**  
STOREFRONTS & ENTRANCE SYSTEMS

**NEXT LEVEL THERMAL EFFICIENCY  
PROVIDED BY POLYAMIDE STRUT THERMAL  
BARRIERS BETWEEN THE INSIDE AND  
OUTSIDE ALUMINUM EXTRUSION**

- » New Thermal Door System Can be Configured for Offset Pivot, Butt Hinge, or Continuous Hinge Options for Compatibility with any Storefront Entrance System
- » Energy Efficient Door That is Only 1-3/4" In Thickness.
- » Heavy-Duty Corner Block Assembly With Deep Penetration Welds at Door Corners
- » Door Framing Components Available for All Storefronts Systems
- » 2 Year Warranty
- » Class 1 Clear (Satin) or Bronze Anodized, Available Custom Kynar® or Powder Paint



**CCBP COLUMBIA**  
COMMERCIAL BUILDING PRODUCTS



**VIEW OUR NEW FAL24  
STOREFRONTS &  
ENTRANCES CATALOG  
ONLINE AT FHC-USA.COM**

The Next Level  
**Energy Efficient Entrance System**

CSI DIVISION 08

SECTION  
**08 4100**

**2**  
YEAR  
WARRANTY

**FAL24 Storefronts & Entrances**

240 Pages of Professional Grade  
Storefront & Entrance Hardware

FHC Aluminum® manufactures high-performance and quality **FHC Aluminum® Thermal Strut Entrance Systems** with lead times to meet your project needs. Available in medium and wide stile entrance systems - including door, door frame, and hardware components. **FHC Aluminum® Stock Program**, and custom door configurations are also available with fast turnaround times. Contact FHC's experienced Technical Sales Department to discuss your next project at **(888) 295-4531** or through email at **fhaluminum@fhc-usa.com**.

**FHC**  
FRAMELESS HARDWARE COMPANY

**The Glazing  
Supply Company**

EXPERIENCE AND INNOVATION

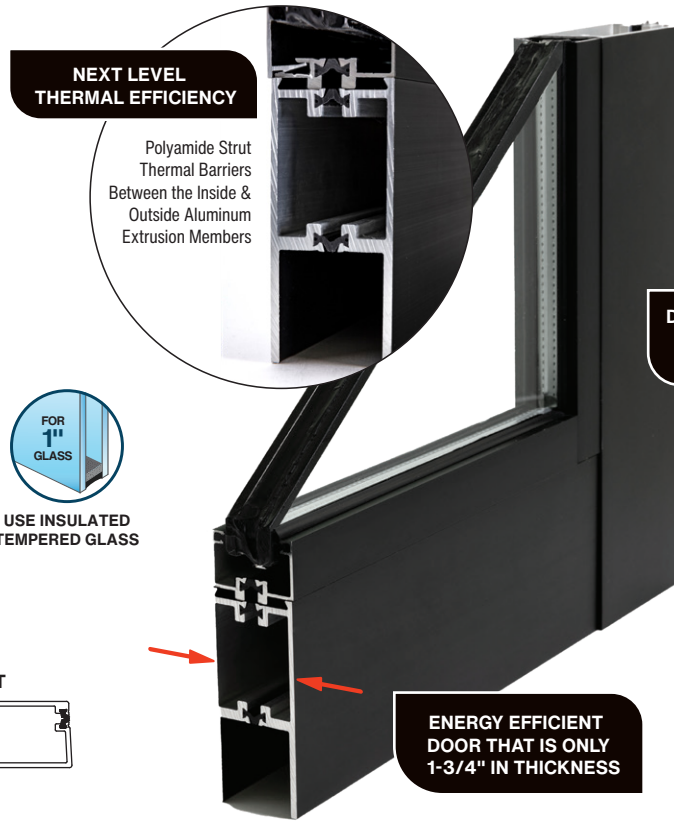
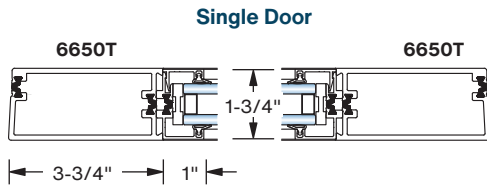
P.O. Box 1906 South Gate, CA 90280  
Toll Free (888) 295-4531 | Fax (323) 336-8307  
email **fhaluminum@fhc-usa.com**  
**FHC-USA.COM**

# FHC Aluminum® Thermal Strut Entrance Doors & Storefront System



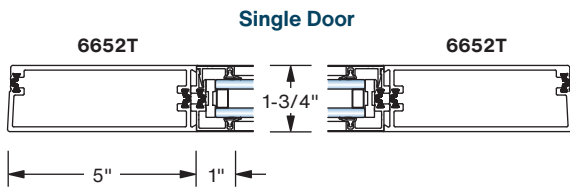
## Series 300T Medium Stile Thermal Strut Entrance Door

- » For Moderate to Heavy Traffic
- » 3-3/4" Medium Stile
- » Energy Efficient Door That is Only 1-3/4" In Thickness

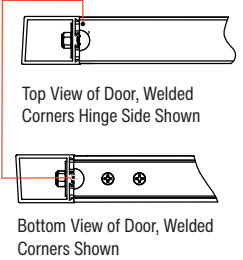


## Series 500T Wide Stile Thermal Strut Entrance Door

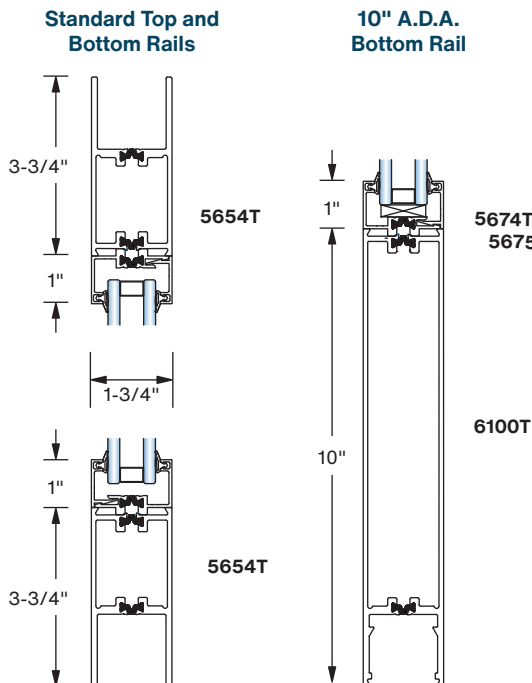
- » For Heavy Traffic
- » 5" Wide Stile
- » Energy Efficient Door That is Only 1-3/4" In Thickness



### Typical Spot Weld After Assembly

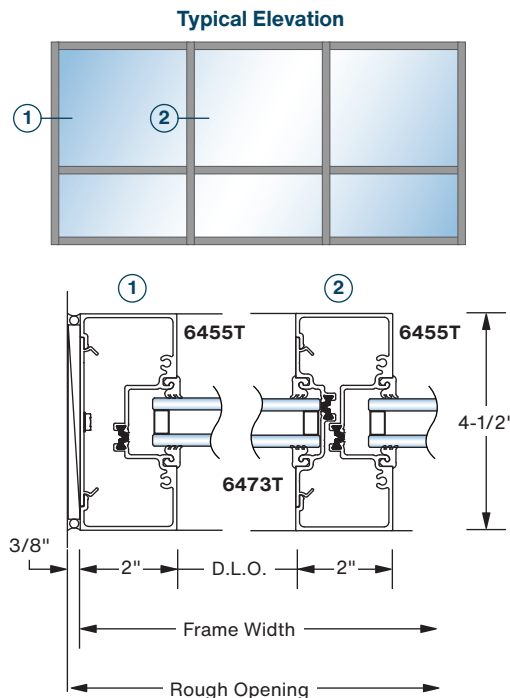


## Series 300T & 500T Standard Top and Bottom Rails



## Series 200T Series 2" x 4-1/2" Thermal Strut Center Glazed Storefront System

- » Screw Race Joinery for 1" Insulating Glazing



### Available Finishes



NOTE: NOT TO SCALE