

**NEW**

# FHC Ridgeline Series

Bottom Rolling Shower Door Kit

Patent Pending

PROFESSIONAL GRADE

- » Use With 1/2" Tempered Glass
- » New Innovative Design That Doesn't Require a Header for Installation
- » Bottom Rollers Automatically Adjust for Curb Pitch
- » Integrated Bottom Guide Secures Door to Track and Prevents Toe Pinch and Lift
- » Wall Mounted Glass Brackets and Pull Handles Sold Separately
- » Heavy-Duty, Bottom Rollers for Door Panels Up to 36" Wide X 84" Tall
- » Square and Round Hardware Options Available
- » 3/16" Total Height Adjustment
- » Includes Water Management Internal Drainage Sill Design
- » Offered in Four Popular Architectural Finishes :  
Polished Chrome, Brush Nickel, Matte Black, and Satin Brass



CSI DIVISION 10

SECTION

10 2885

AVAILABLE IN ROUND OR SQUARE PROFILES

Our **FHC Ridgeline Series Bottom Rolling Shower Door Kits** allow for a header-free installation by using a bottom rolling design. The bottom rollers have a height adjustment of 3/16" for vertical jamb alignment. Smooth and quiet bottom rollers allow for wider, heavier doors than most top hung shower units. The **FHC Ridgeline Series Bottom Rolling Shower Door System** is for use with 1/2" thick tempered glass only (not included). Available in four popular architectural finishes, with your choice of round profile or square profile roller housings. Pull handles and knobs are sold separately.

**FHC**  
FRAMELESS HARDWARE COMPANY

The Glazing  
Supply Company

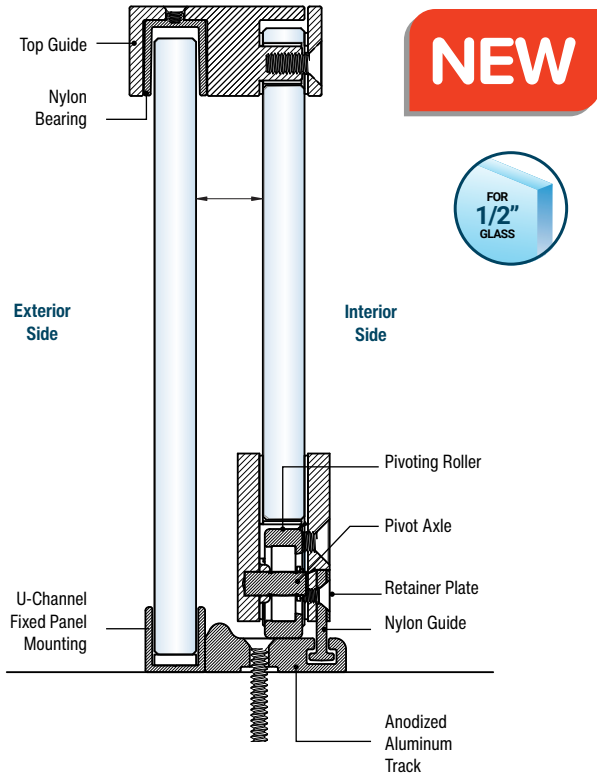
EXPERIENCE AND INNOVATION



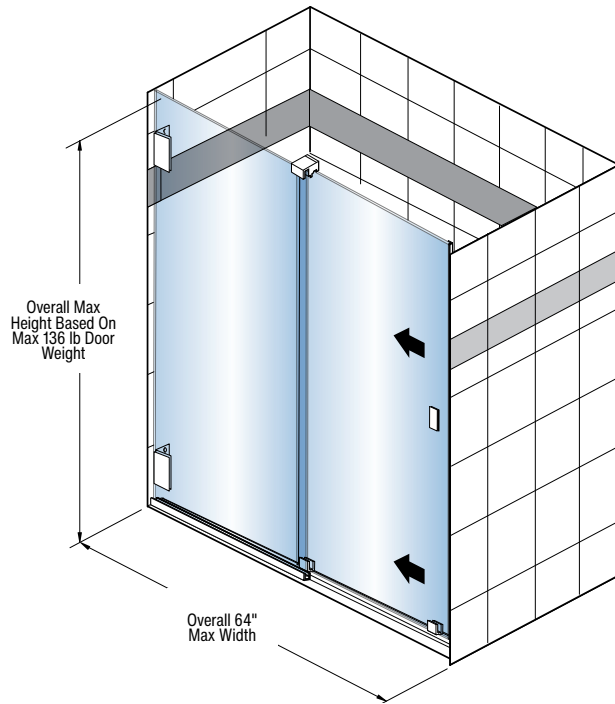
4361 Firestone Blvd. South Gate, CA 90280  
Toll Free (888) 295-4531 | Fax (323) 336-8307  
email [showers@fhc-usa.com](mailto:showers@fhc-usa.com)  
[FHC-USA.COM](http://FHC-USA.COM)

# FHC Ridgeline Series Bottom Rolling Shower Door Kit

Section View of Bottom Rolling Shower Kit



Isometric View of Bottom Rolling Shower Kit



**Kits Include the Following Components:**



ITEM NO. **RLTG1XX**  
Top Guide (Qty. 1)



ITEM NO. **RLDR1XX**  
Round Roller  
Included in RLRD180 Kit  
(Qty. 2)

or



ITEM NO. **RLSQ1XX**  
Square Roller  
Included in RLSQ180 Kit  
(Qty. 2)



ITEM NO. **RLBT1XX**  
65" Bottom Track (Qty. 1)



ITEM NO. **SUCD12XX**  
40" Classic U-Channel  
(Qty. 1)



ITEM NO. **CLSB3812**  
82" Clear L-Shape Jamb  
Seal Bumper  
(Qty. 1)



ITEM NO. **RLWB2**  
Ridgeline Door Bumpers  
(Qty. 2)



ITEM NO. **RLRDWB1XX**  
Round Profile  
Glass Clamp Flange Mount  
(Sold Separately)



ITEM NO. **GLN90XX**  
Square Profile  
Glass Clamp Flange Mount  
(Sold Separately)

**SPECIFICATIONS**

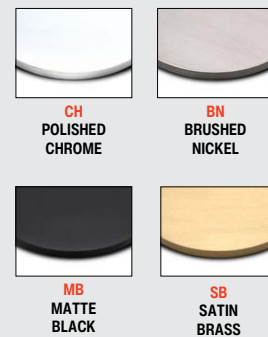
- » Glass Sizes: 1/2" (12 mm) Tempered Glass (Not Included)
- » Construction: Brass and Aluminum
- » Glass Fabrication Required
- » Includes: Mounting Hardware and Installation Instructions
- » Template and Instruction Available at [fhc-usa.com](http://fhc-usa.com)

**Ridgeline Series Kits**

ROUND ROLLER ITEM NO.	SQUARE ROLLER ITEM NO.	FINISH
<b>RLRD180CH</b>	<b>RLSQ180CH</b>	Polished Chrome
<b>RLRD180BN</b>	<b>RLSQ180BN</b>	Brushed Nickel
<b>RLRD180MB</b>	<b>RLSQ180MB</b>	Matte Black
<b>RLRD180SB</b>	<b>RLSQ180SB</b>	Satin Brass

Minimum Order: 1 Each.

**Available Finishes**



XX = FINISH