

FHC ACHIEVE™

FGR FRAMELESS GLASS RAILINGS



FHC
 FRAMELESS HARDWARE COMPANY
 THE GLAZING SUPPLY COMPANY

ICC
ES
 ESR-4814

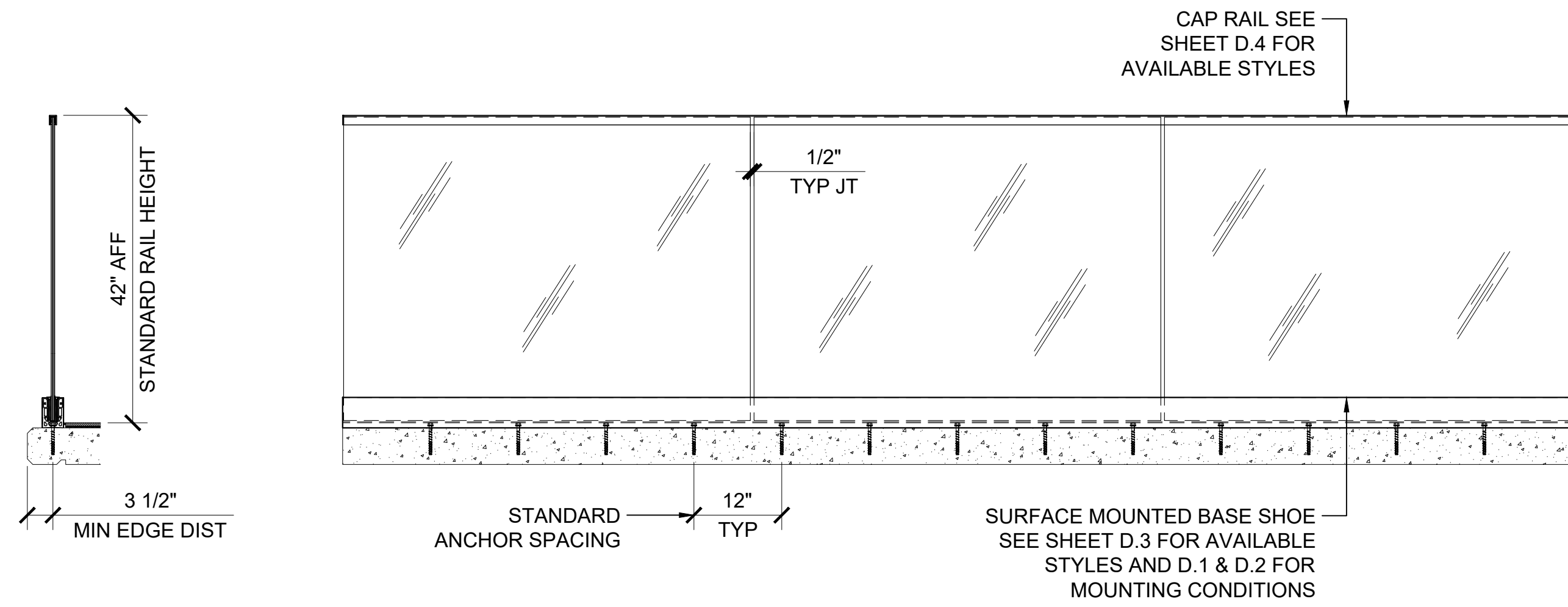
FHC ACHIEVE™
 FGR FRAMELESS GLASS RAILINGS

REV#	DATE	BY
0	11/30/2021	JG
1		
2		
3		
4		
5		
6		

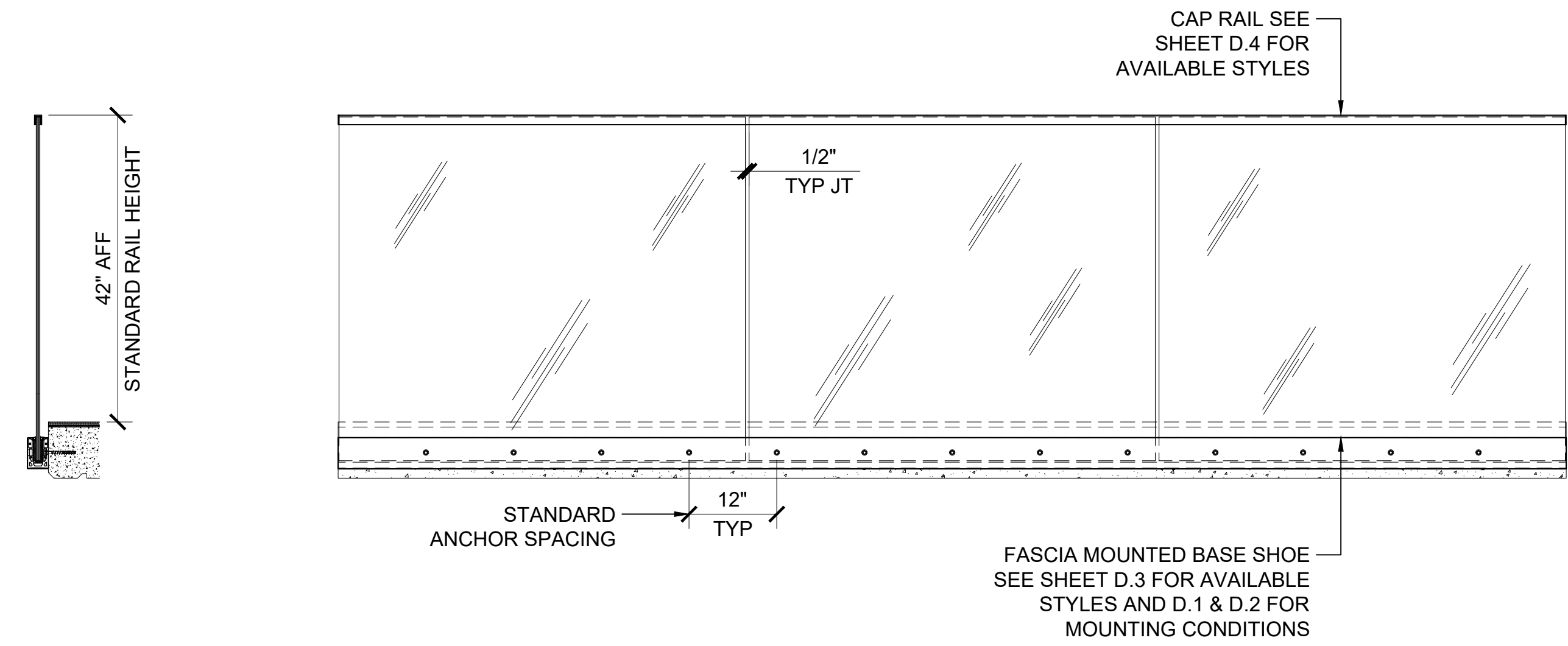
Drawn By: JG
 Checked By: JQ
 Date: 11/30/2021

Sheet No.

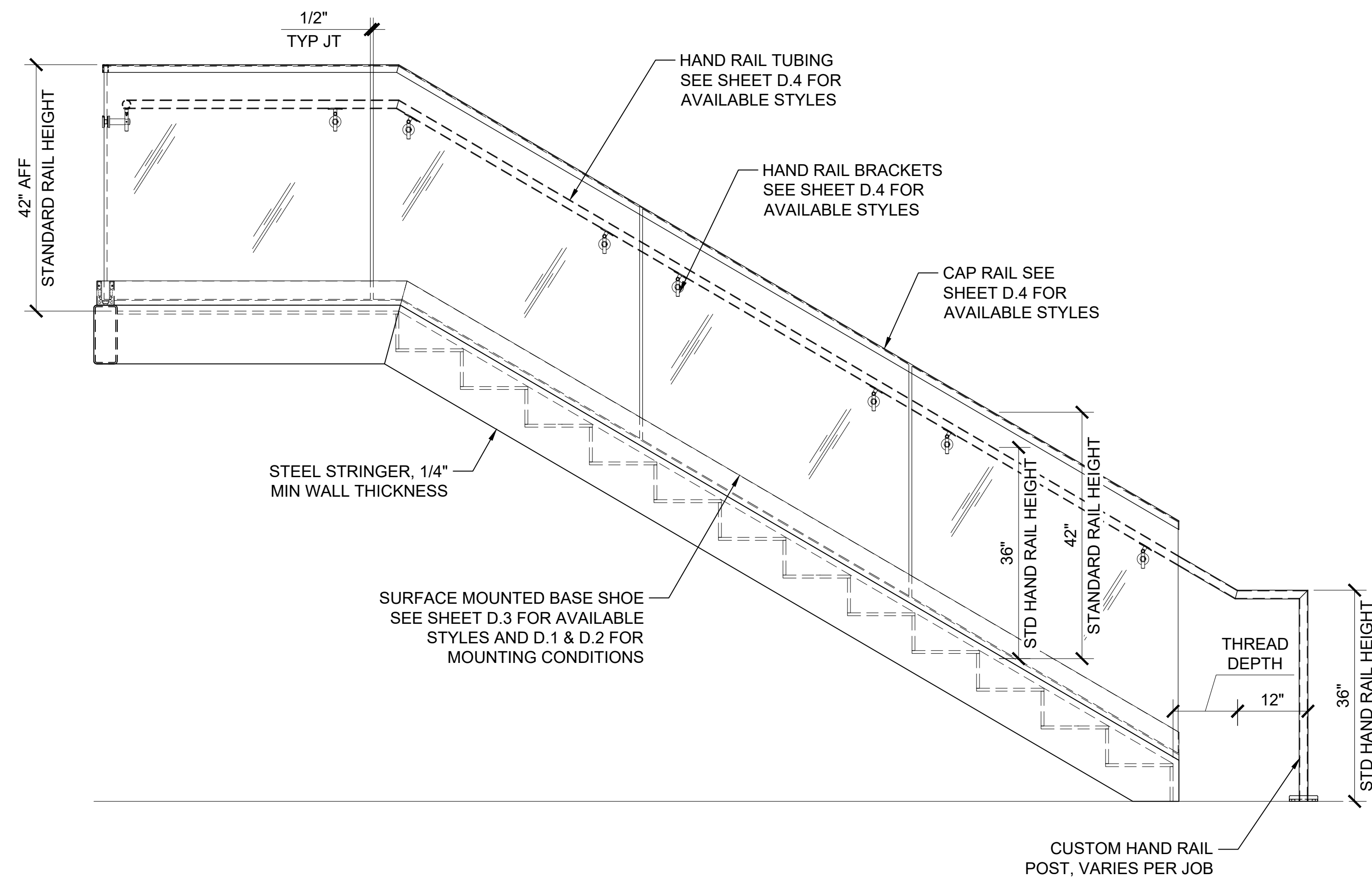
COVER



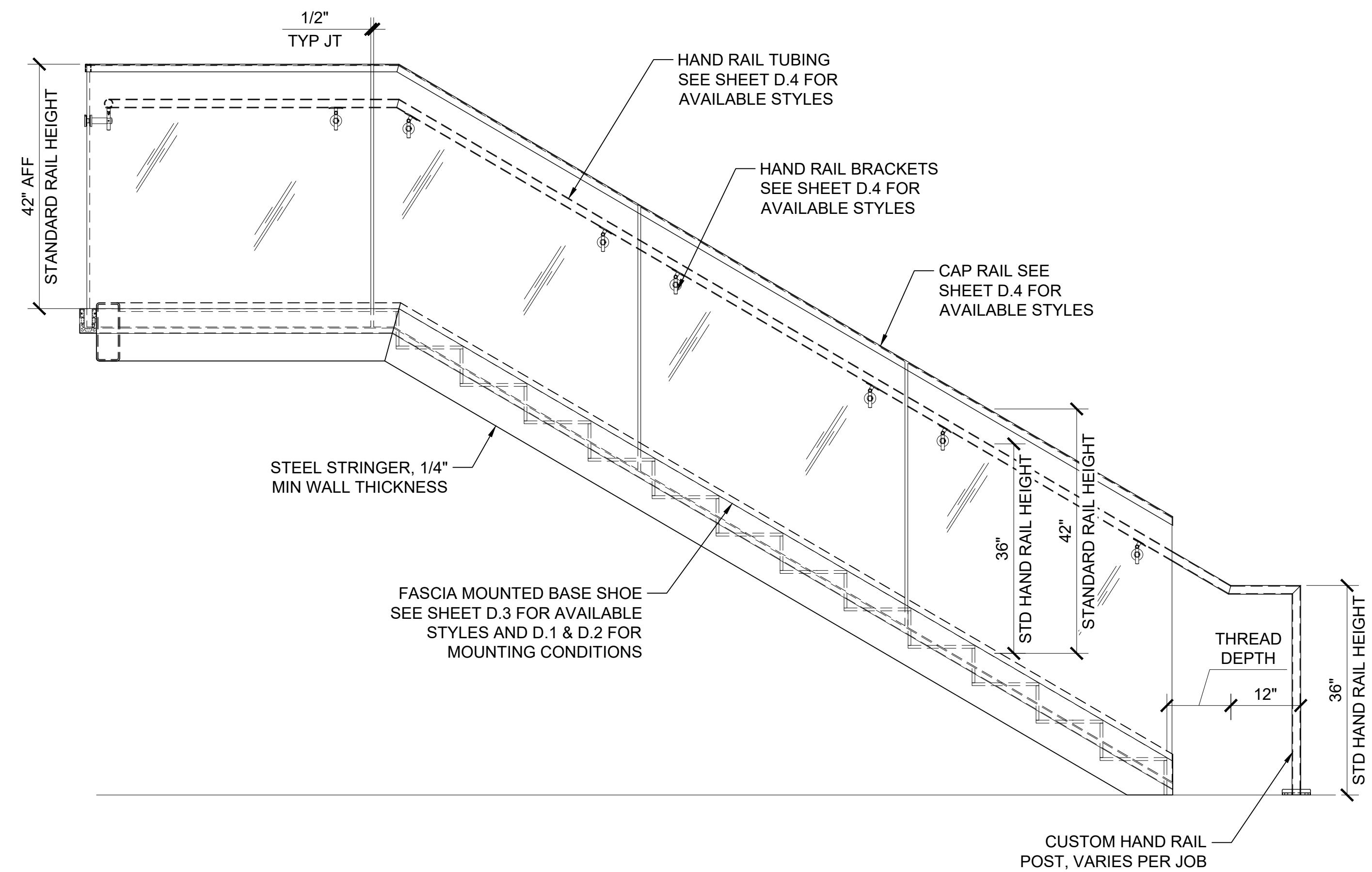
TYPICAL SURFACE MOUNTED GLASS RAILING @ STRAIGHT RUN



TYPICAL FASCIA MOUNTED GLASS RAILING @ STRAIGHT RUN



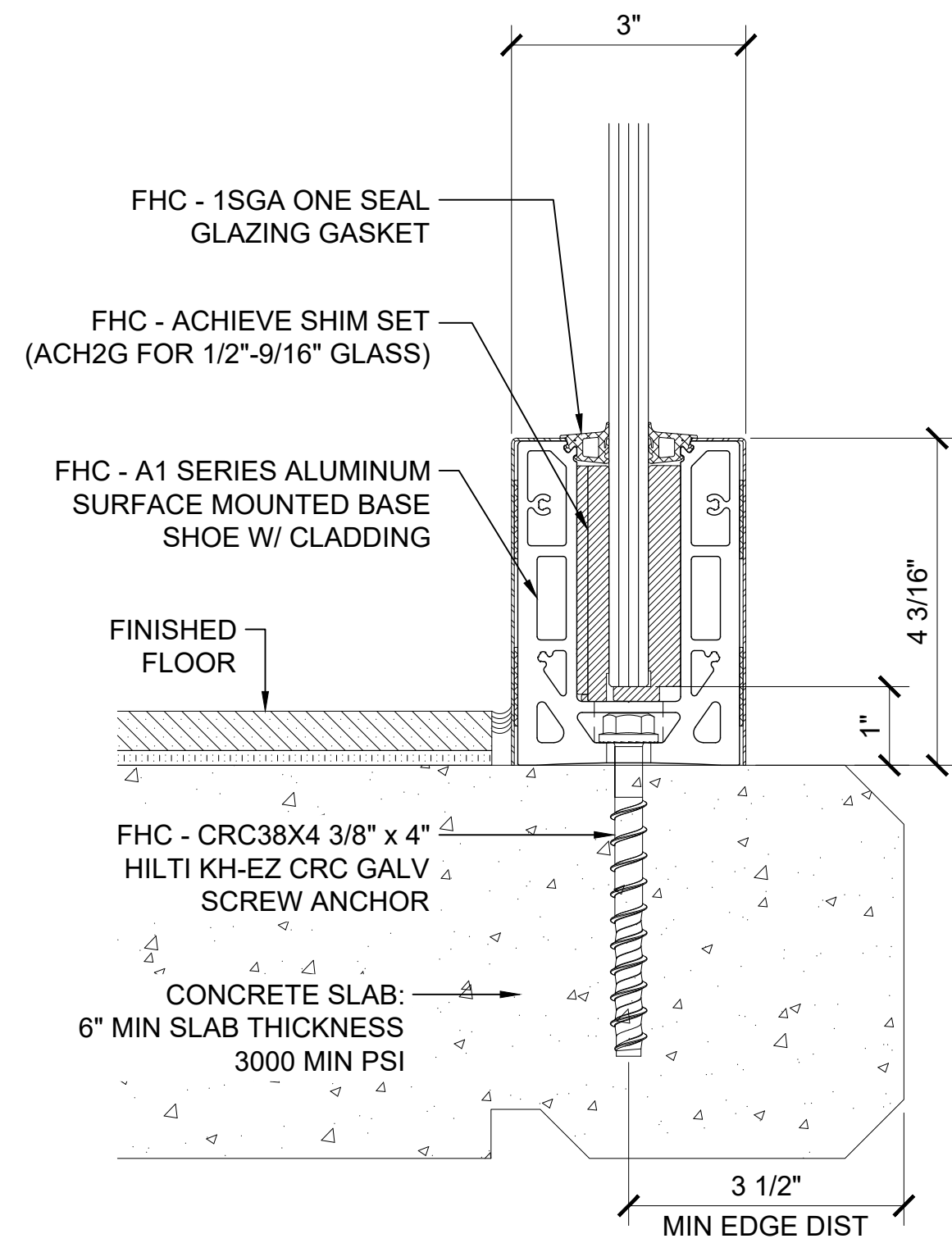
TYPICAL SURFACE MOUNTED GLASS RAILING W/ HAND RAIL



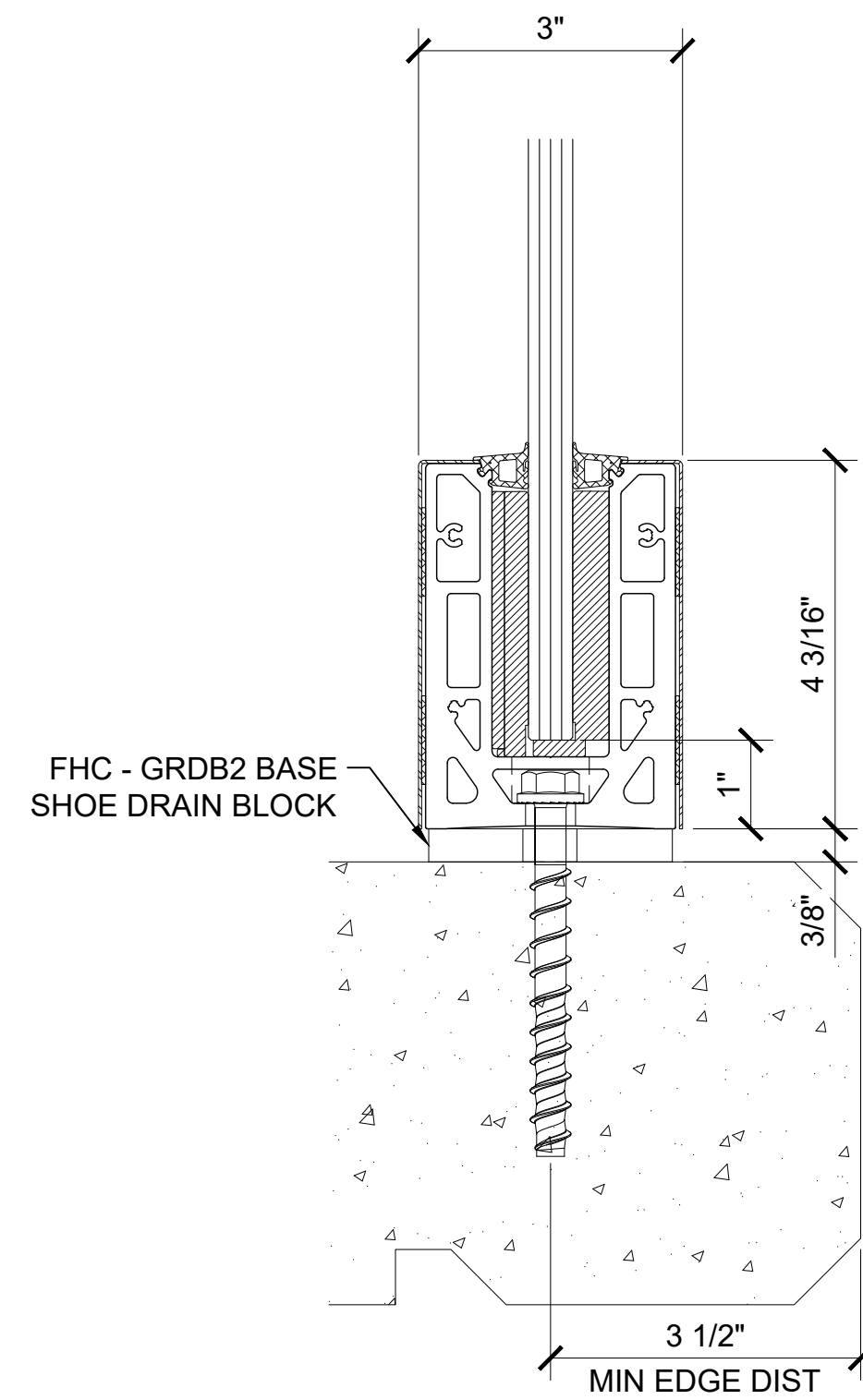
TYPICAL FASCIA MOUNTED GLASS RAILING W/ HAND RAIL

REV#	0	1	2	3	4	5	6
DATE	11/30/2021						
BY	JG						
Drawn By:	JG						
Checked By:	JQ						
Date:	11/30/2021						

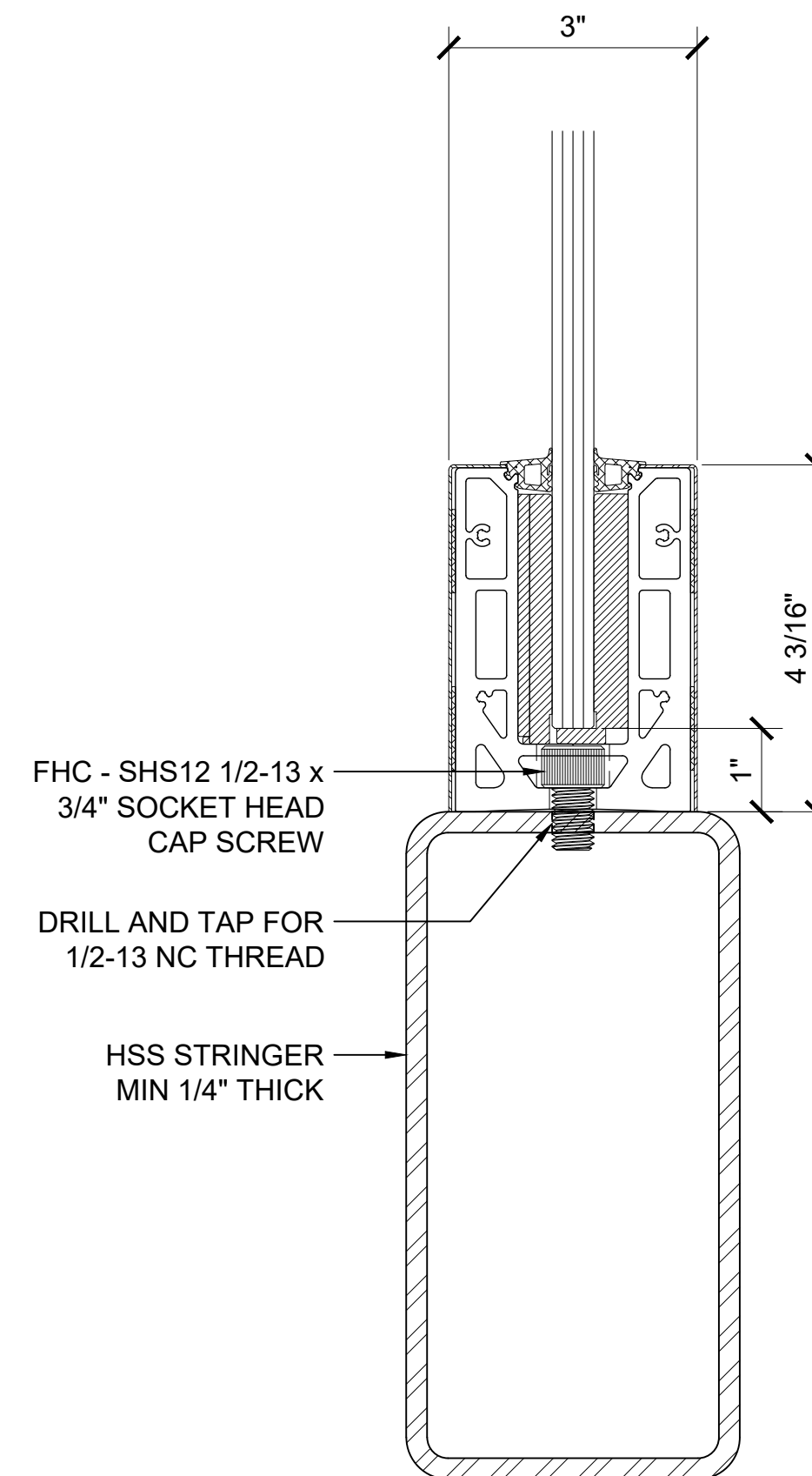
Sheet No.



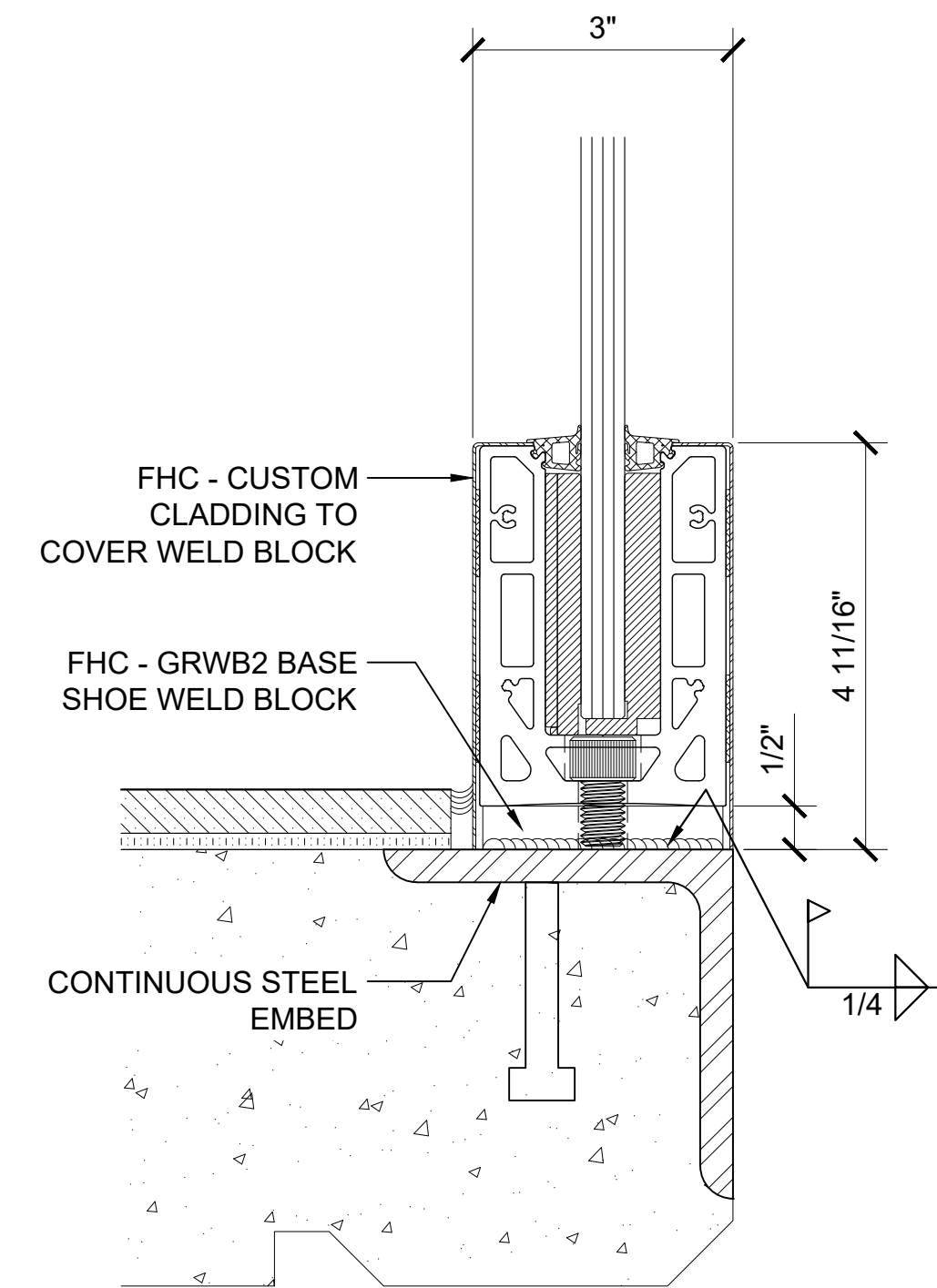
SURFACE MOUNTED BASE SHOE @ CONCRETE SUBSTRATE



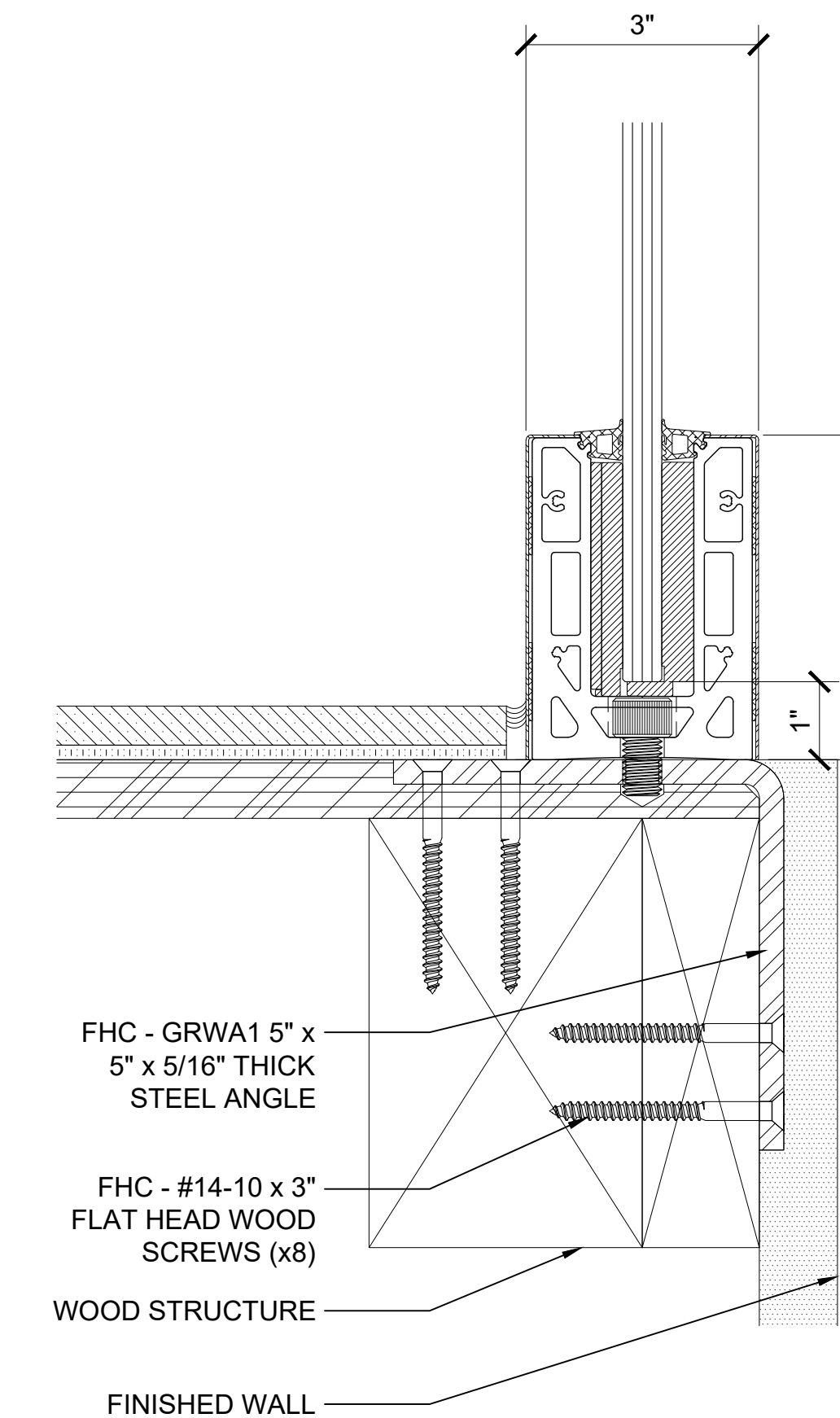
SURFACE MOUNTED BASE SHOE @ CONCRETE SUBSTRATE W/ DRAIN BLOCK



SURFACE MOUNTED BASE SHOE @ STEEL STRINGER SUBSTRATE

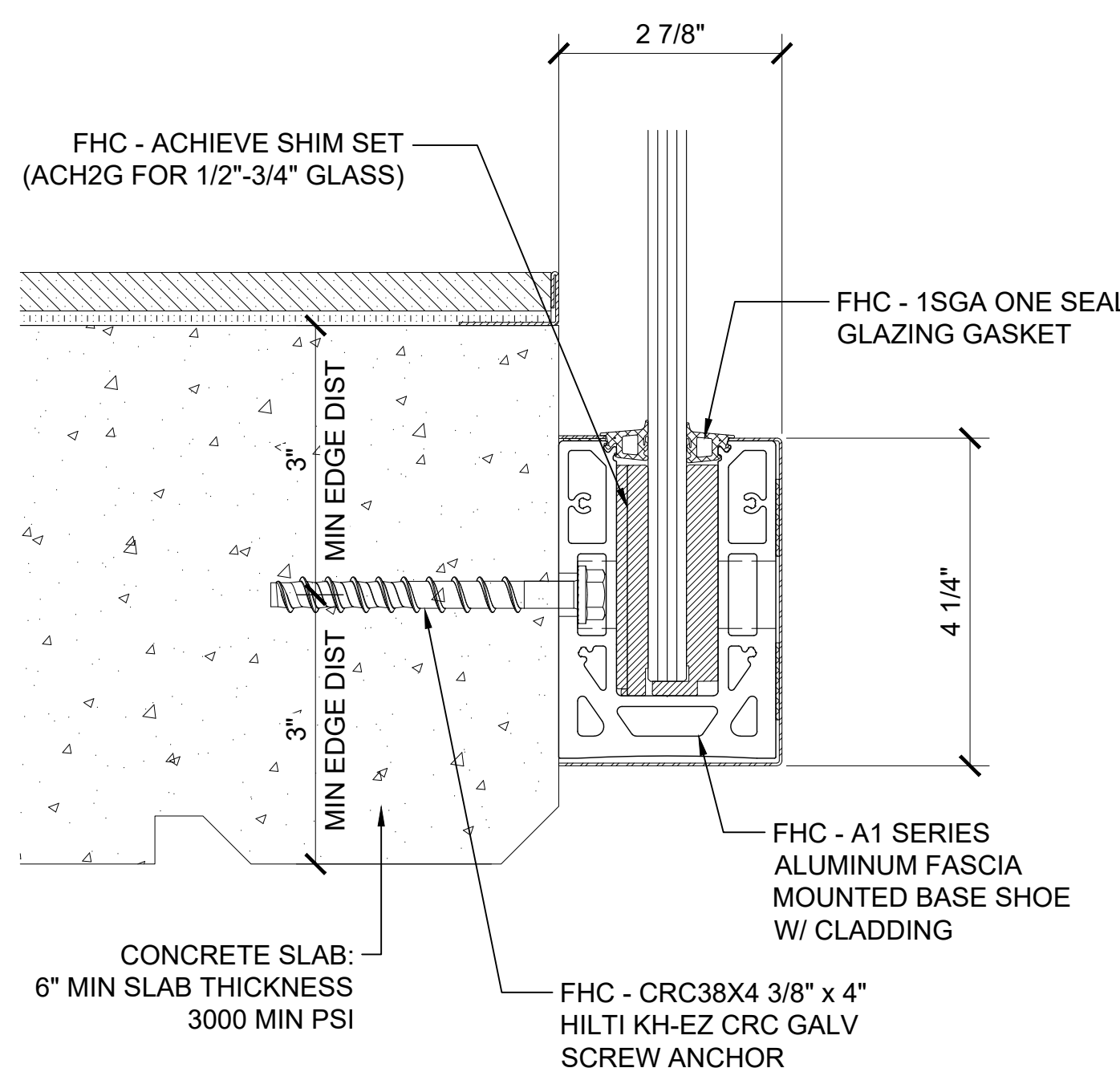


SURFACE MOUNTED BASE SHOE @ STEEL SUBSTRATE W/ WELD BLOCK

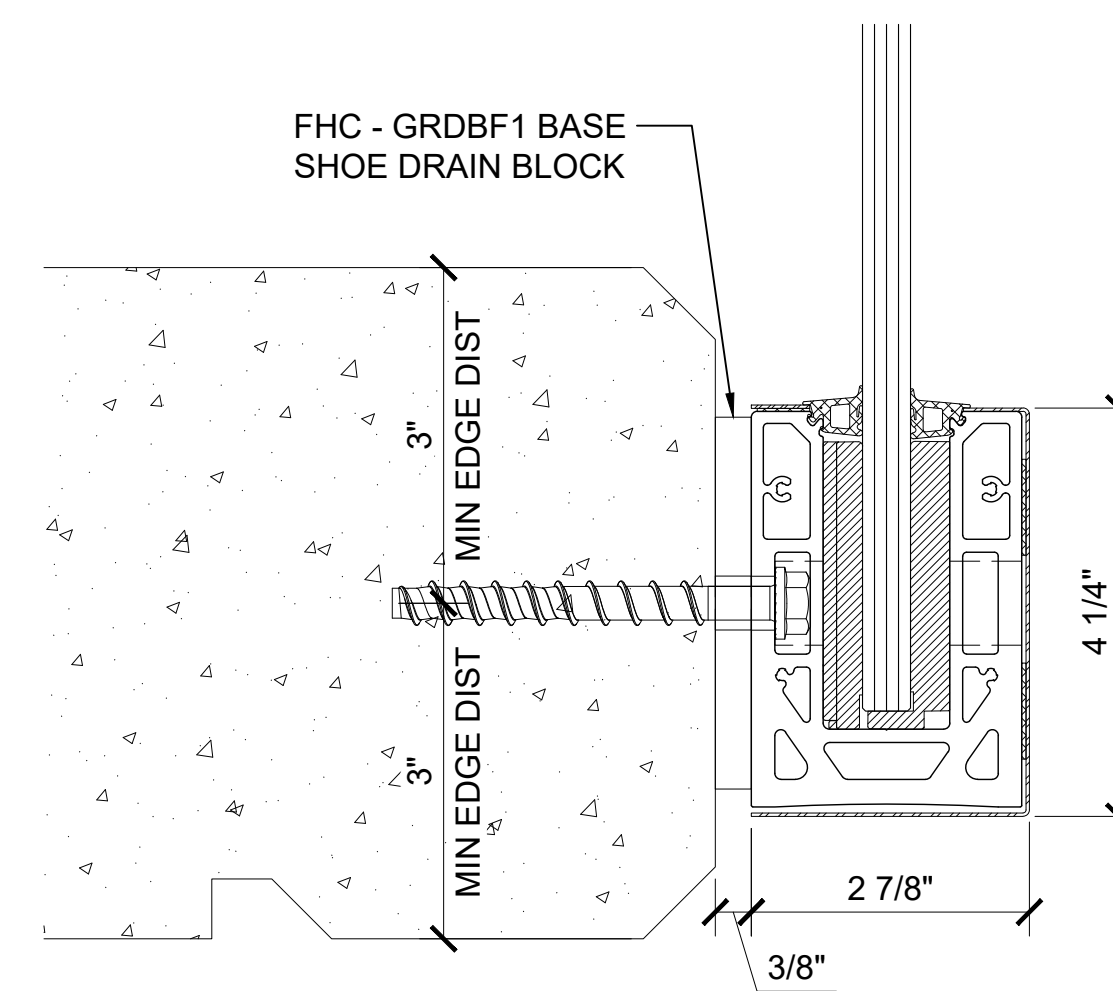


SURFACE MOUNTED BASE SHOE @ WOOD SUBSTRATE

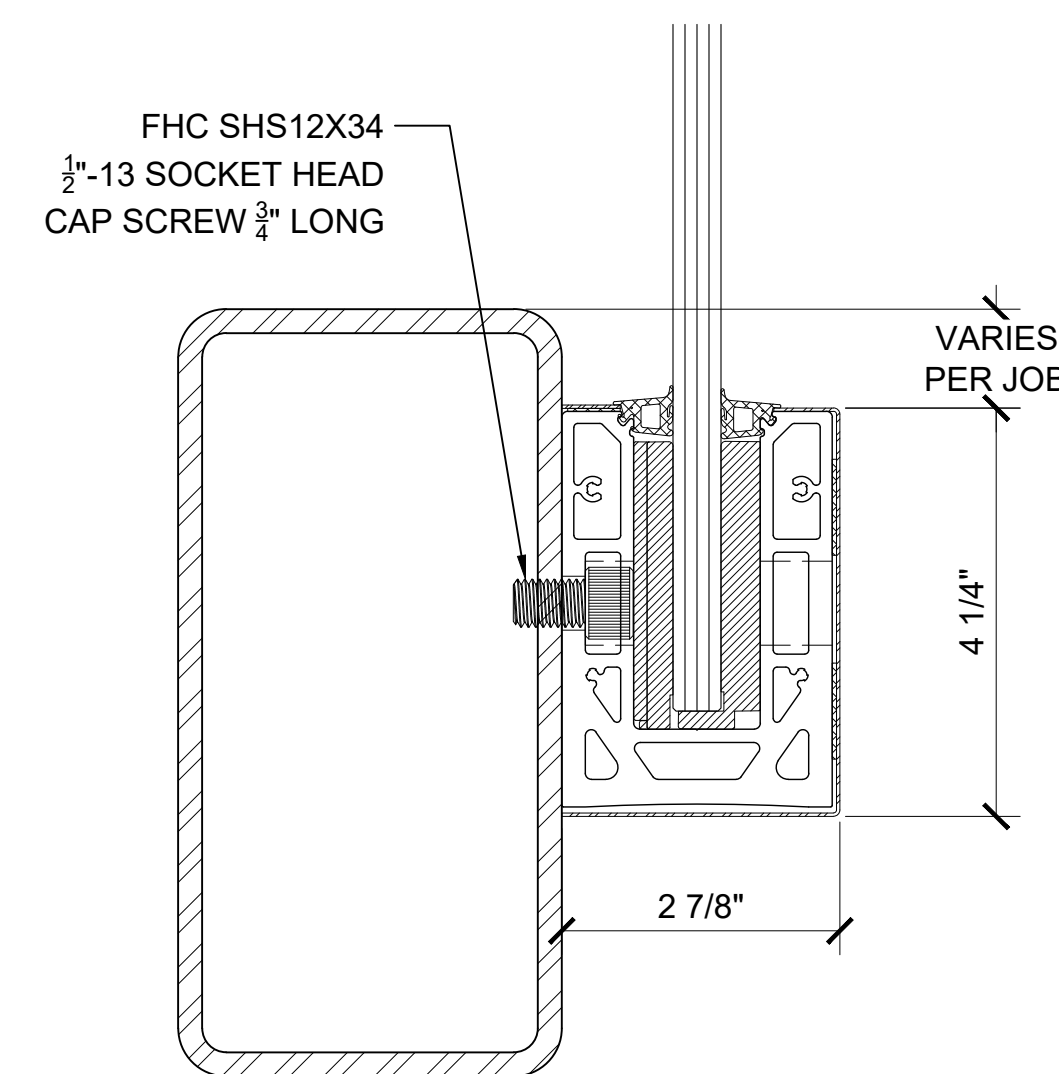
A1M SERIES 1/2"-9/16" TYPICAL SURFACE MOUNT ATTACHMENT



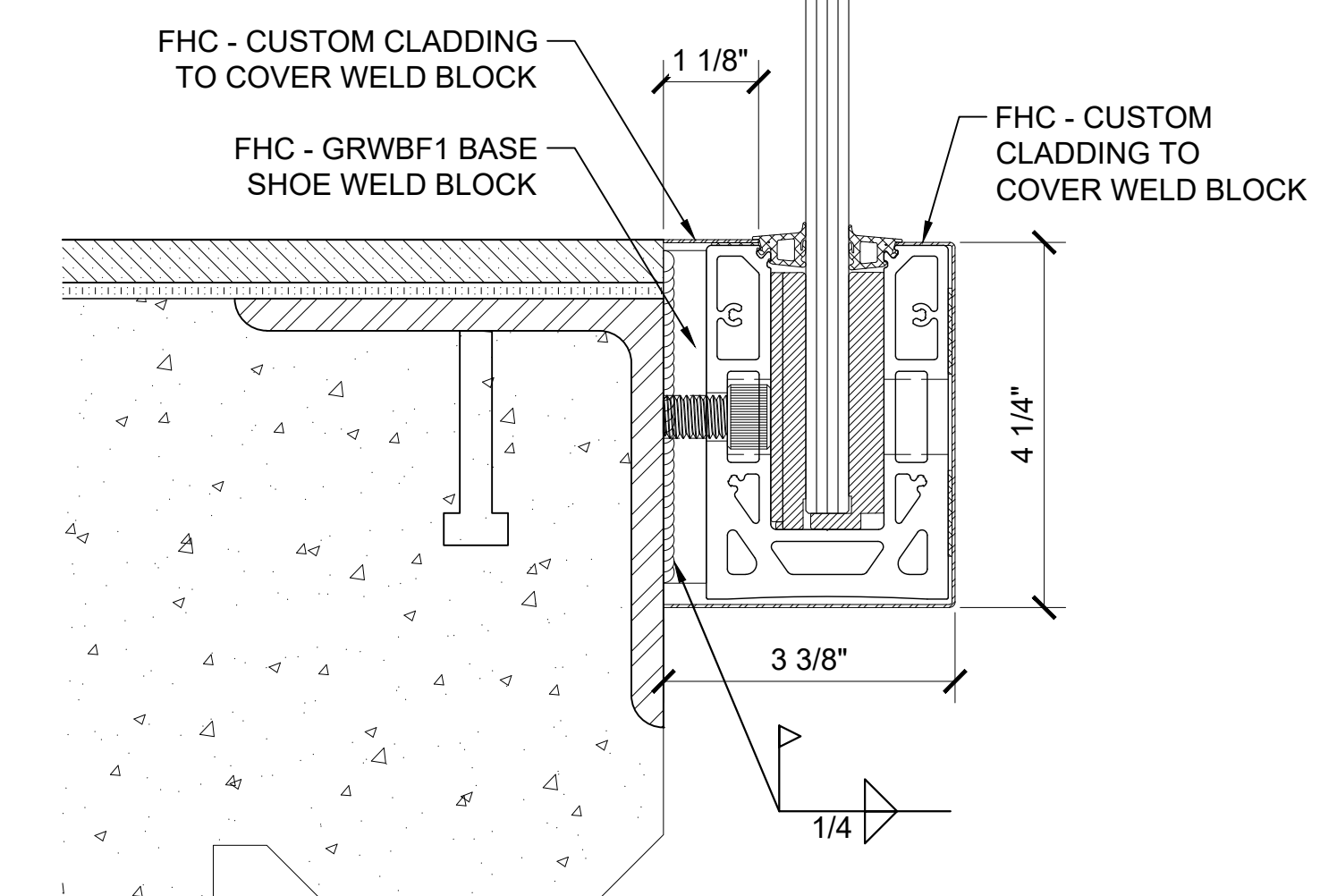
FASCIA MOUNTED BASE SHOE @ CONCRETE SUBSTRATE



FASCIA MOUNTED BASE SHOE @ CONCRETE SUBSTRATE W/ DRAIN BLOCK



FASCIA MOUNTED BASE SHOE @ STEEL STRINGER SUBSTRATE



FASCIA MOUNTED BASE SHOE @ STEEL SUBSTRATE W/ WELD BLOCK

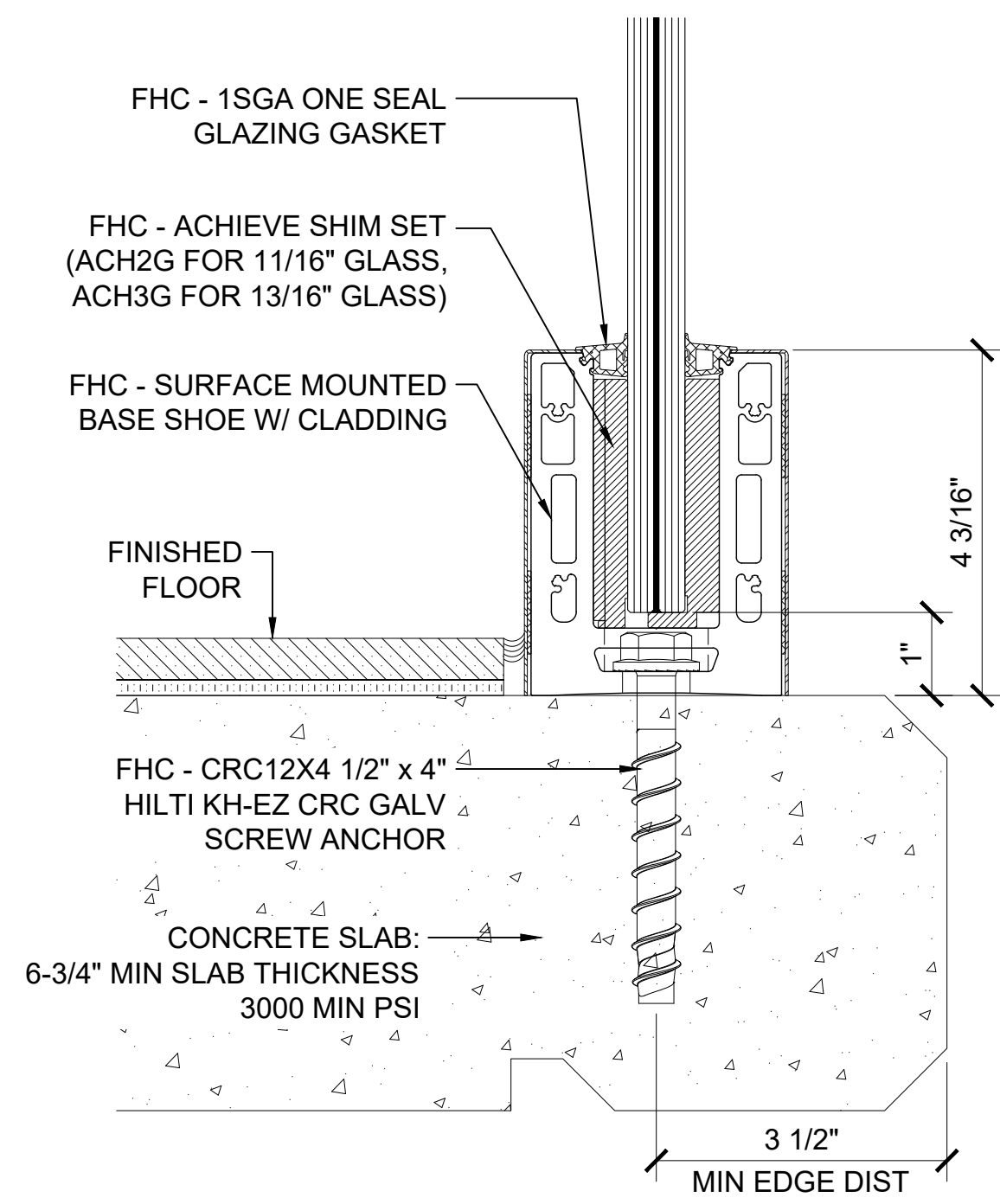
A1M SERIES 1/2"-9/16" TYPICAL FASCIA MOUNT ATTACHMENT

BY	JG
DATE	11/30/2021
REV#	1 2 3 4 5 6

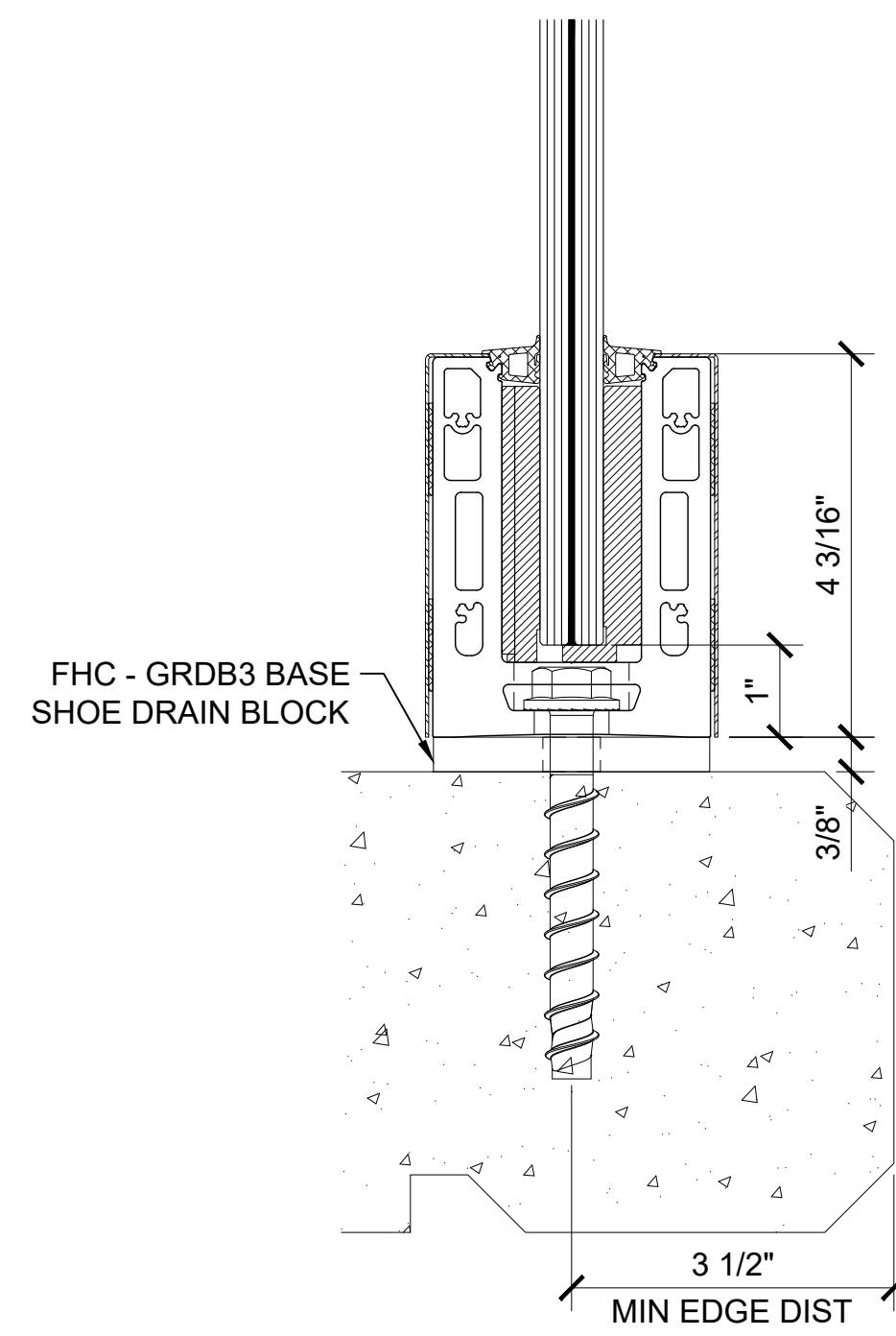
Drawn By: JG
Checked By: JQ
Date: 11/30/2021

Sheet No.

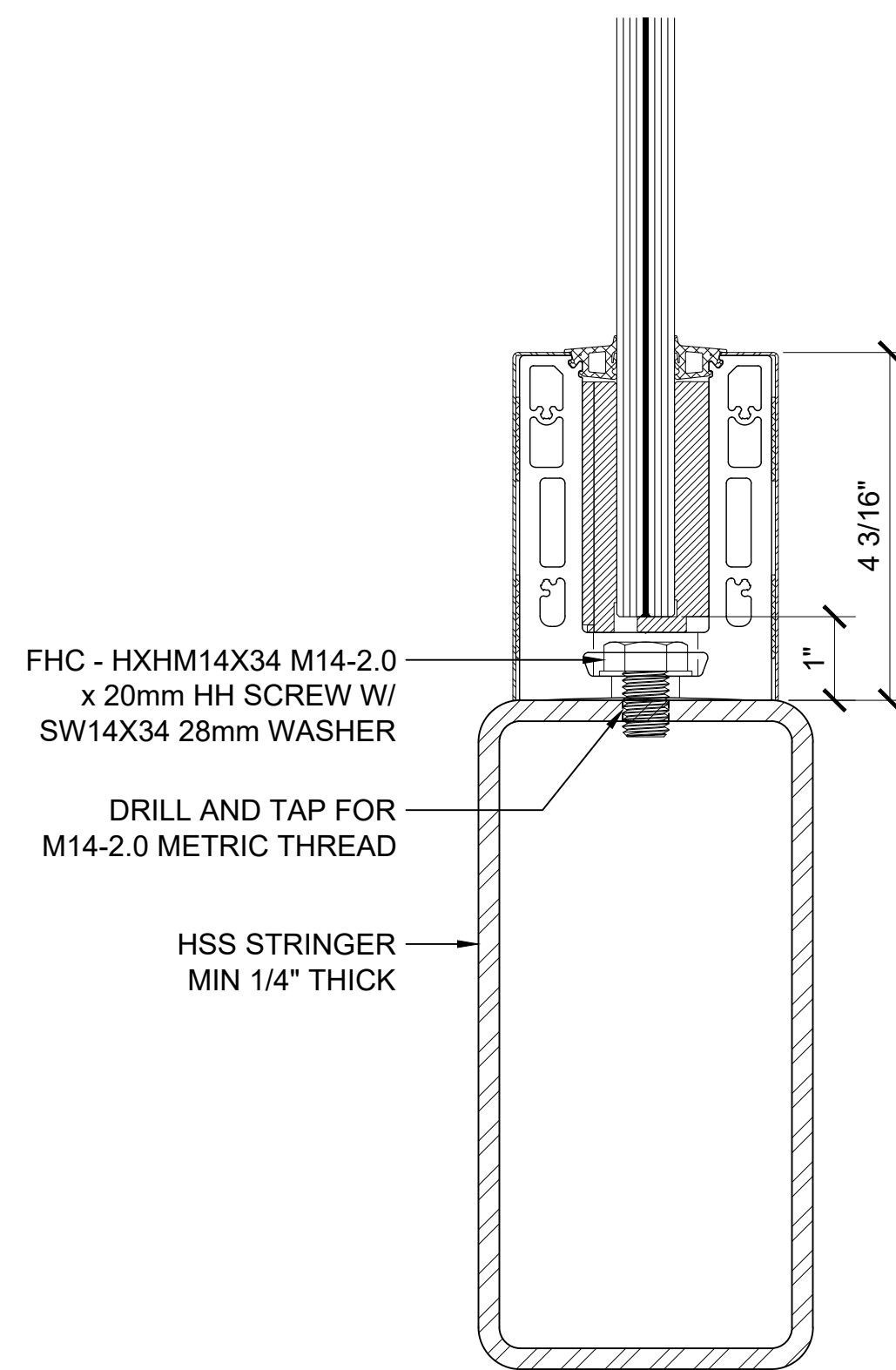
D.1



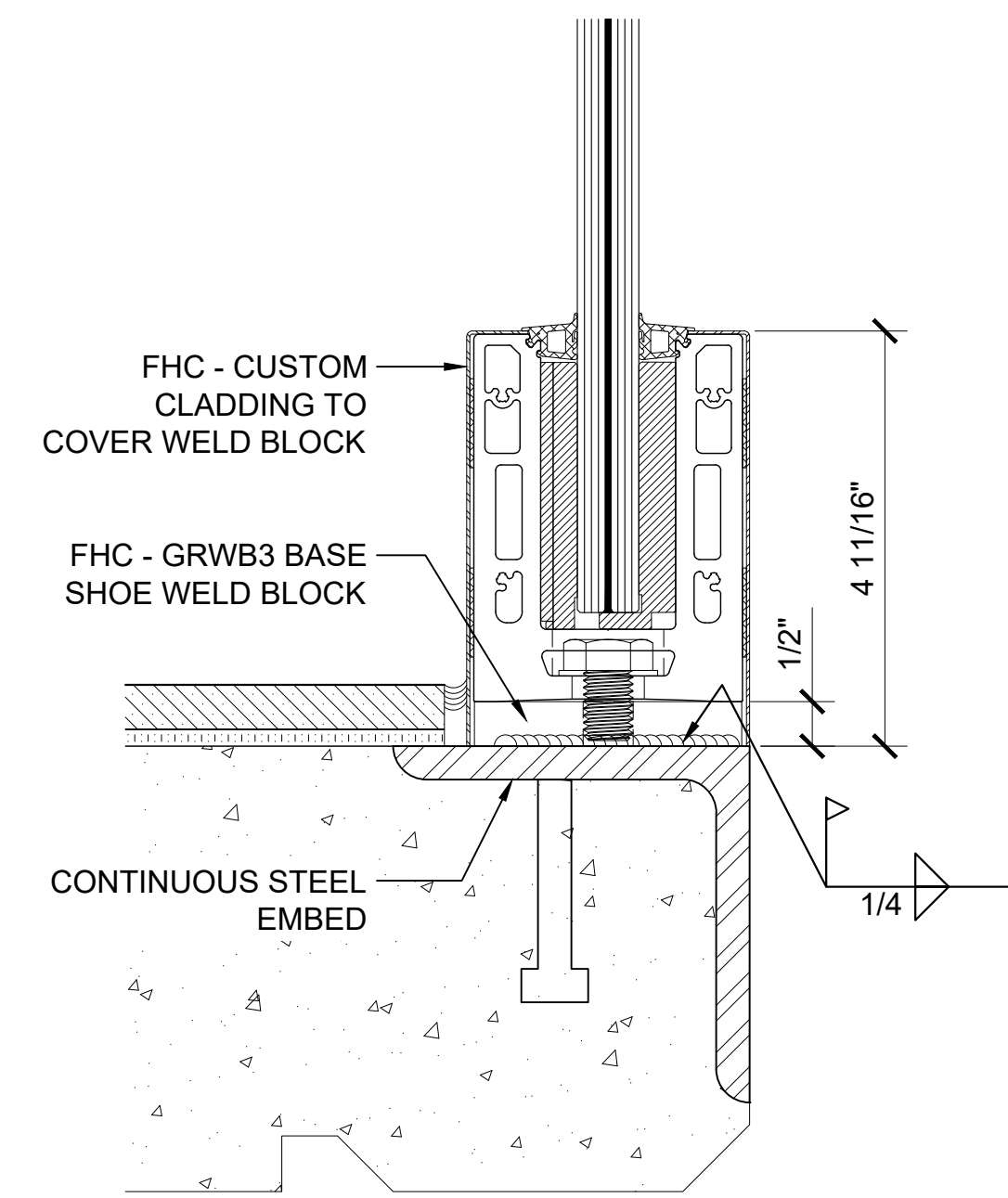
SURFACE MOUNTED BASE SHOE @ CONCRETE SUBSTRATE



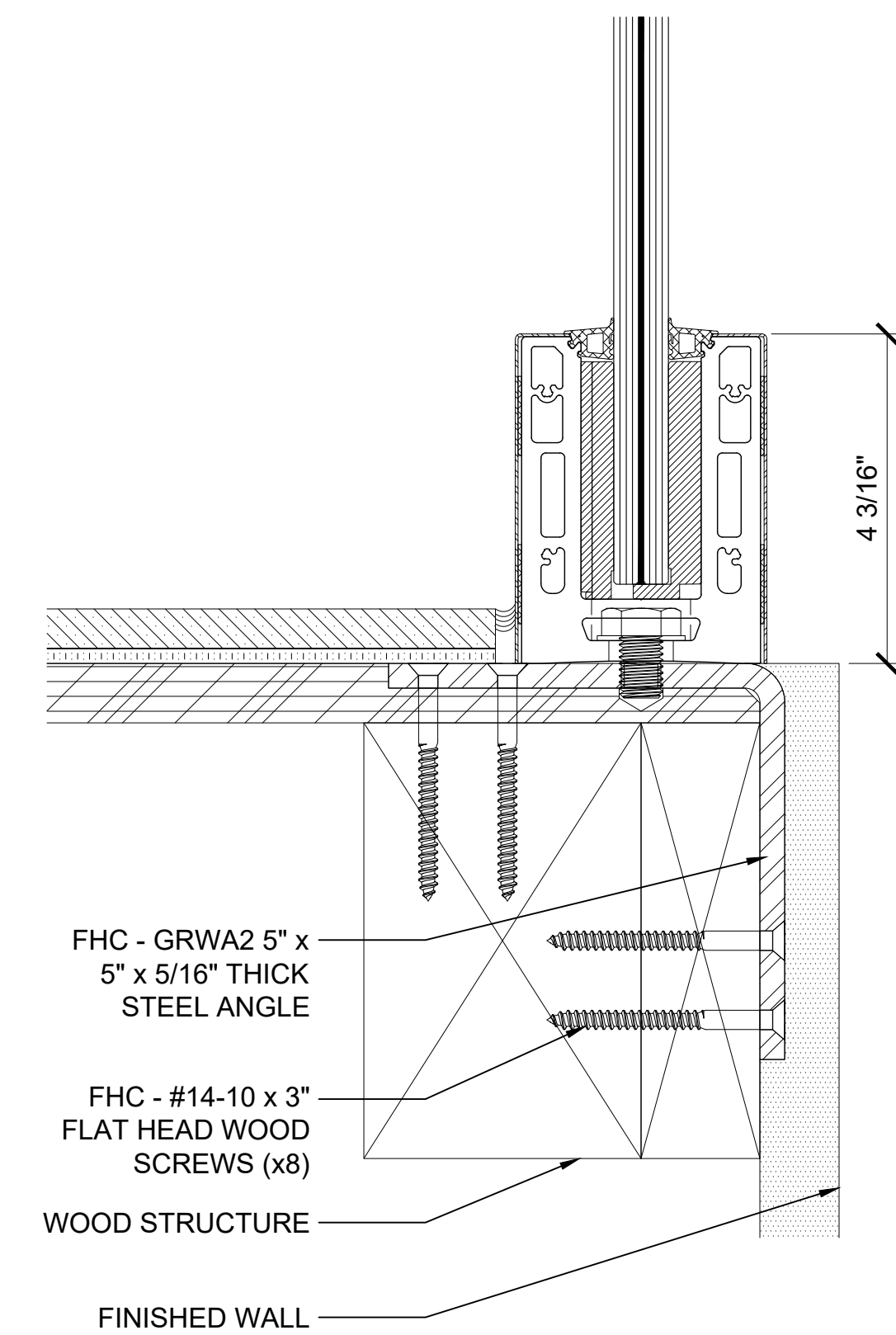
SURFACE MOUNTED BASE SHOE @ CONCRETE SUBSTRATE W/ DRAIN BLOCK



SURFACE MOUNTED BASE SHOE @ STEEL STRINGER SUBSTRATE

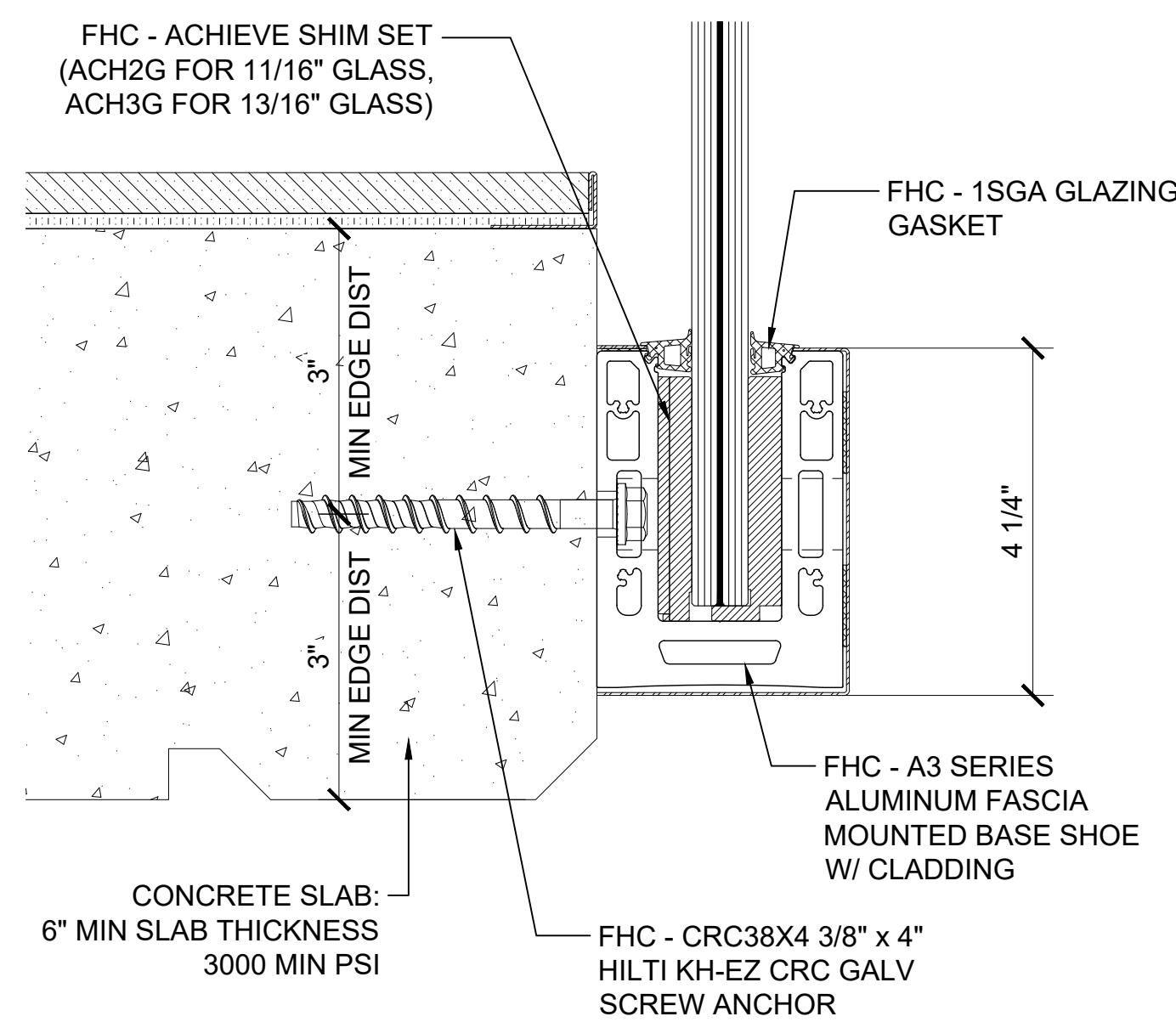


SURFACE MOUNTED BASE SHOE @ STEEL SUBSTRATE W/ WELD BLOCK

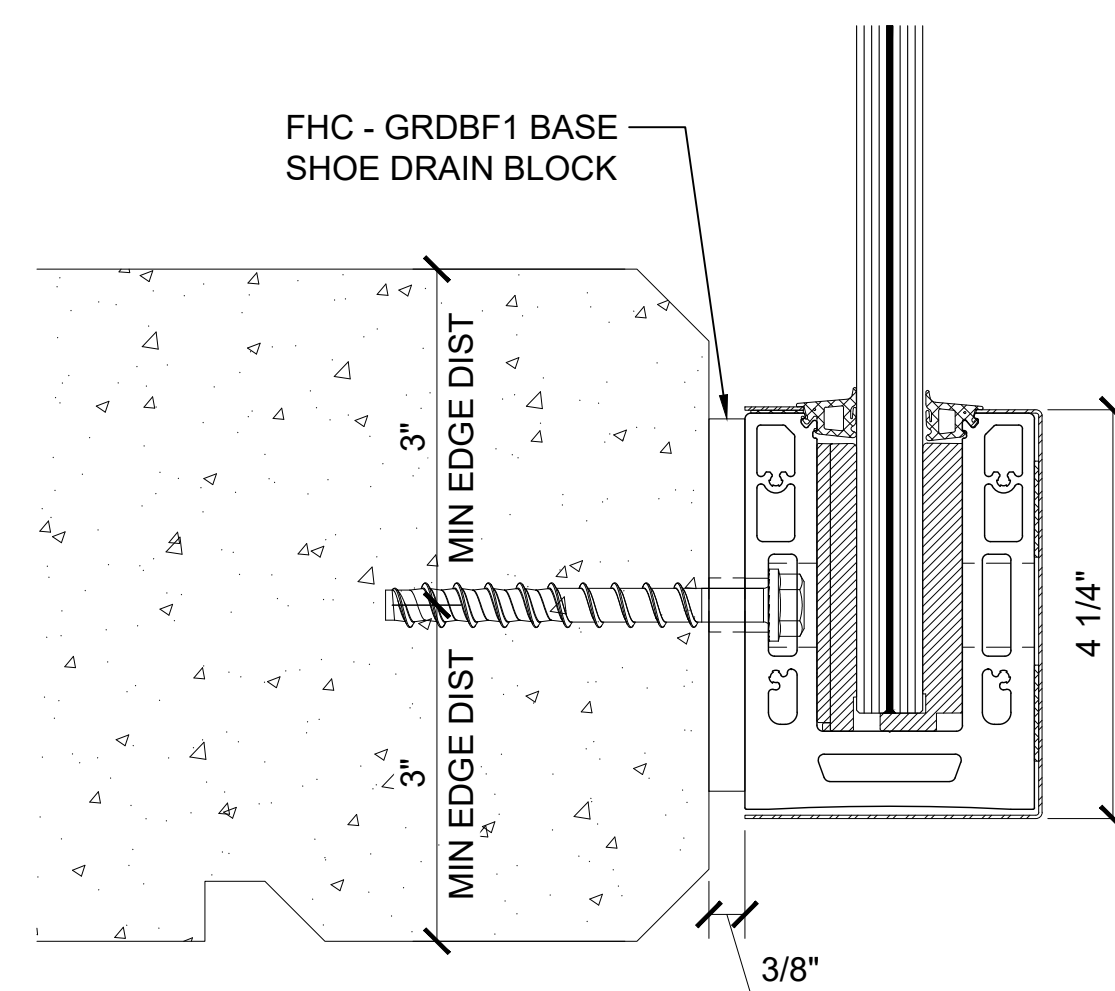


SURFACE MOUNTED BASE SHOE @ WOOD SUBSTRATE

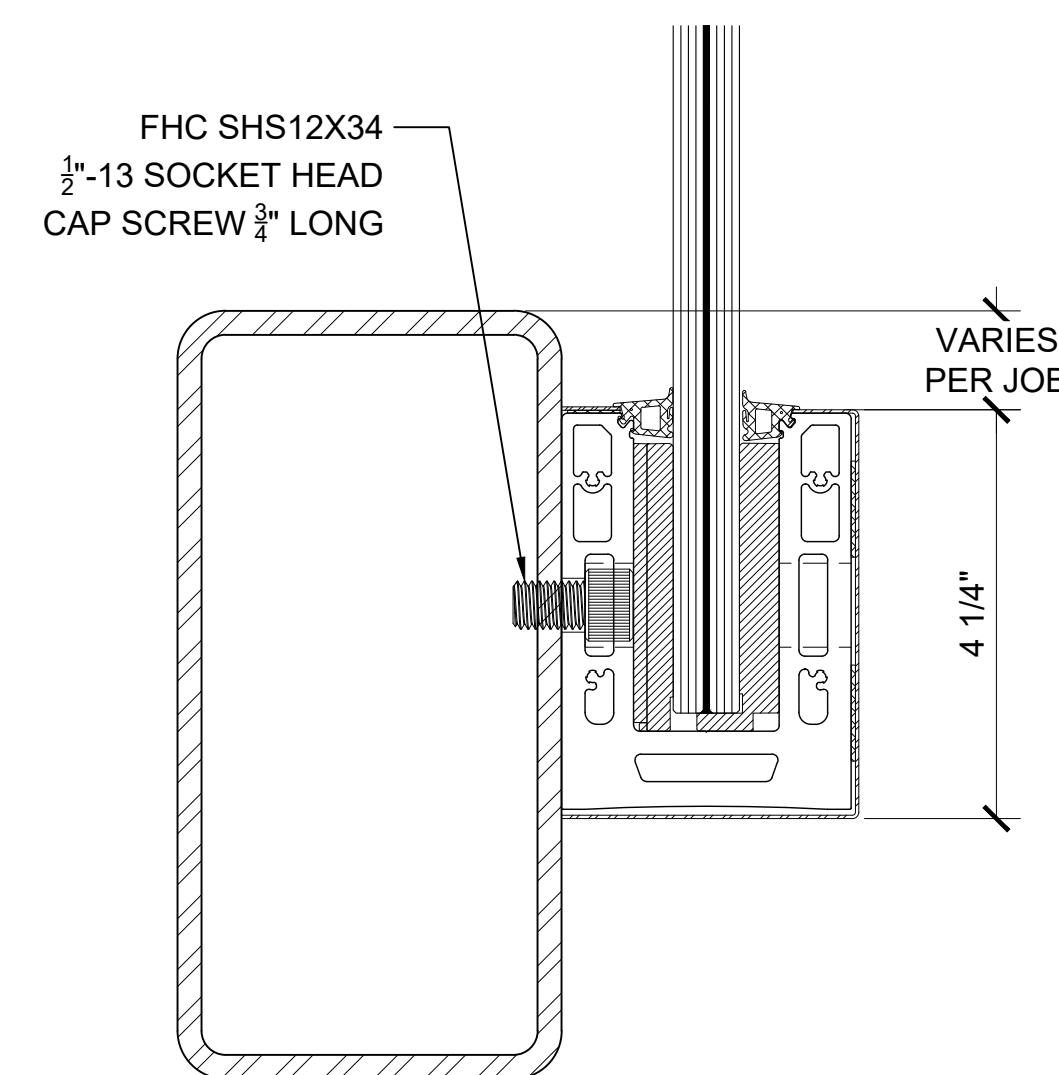
A3M & A5M SERIES 11/16"-13/16" TYPICAL SURFACE MOUNT ATTACHMENT



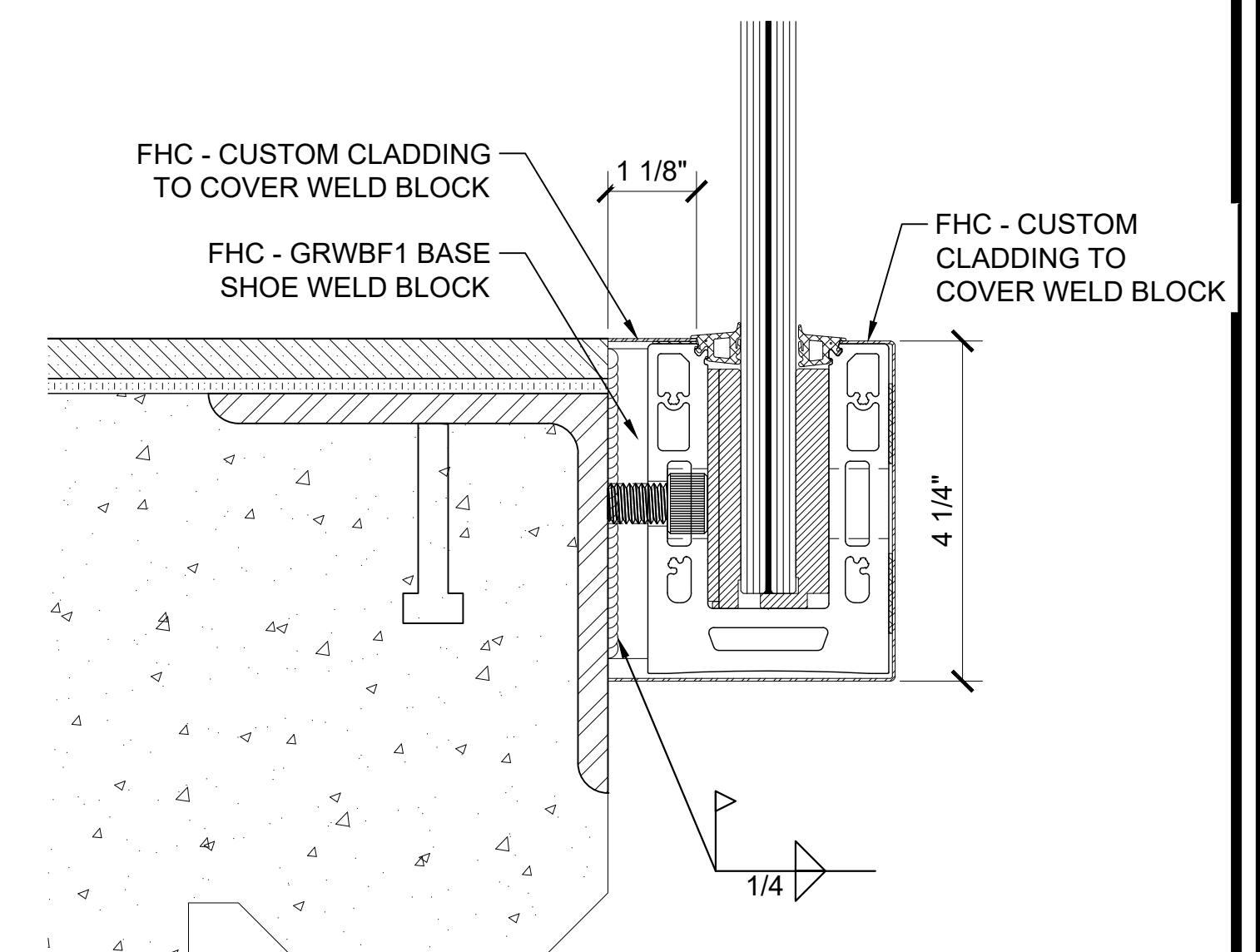
FASCIA MOUNTED BASE SHOE @ CONCRETE SUBSTRATE



FASCIA MOUNTED BASE SHOE @ CONCRETE SUBSTRATE W/ DRAIN BLOCK



FASCIA MOUNTED BASE SHOE @ STEEL STRINGER SUBSTRATE



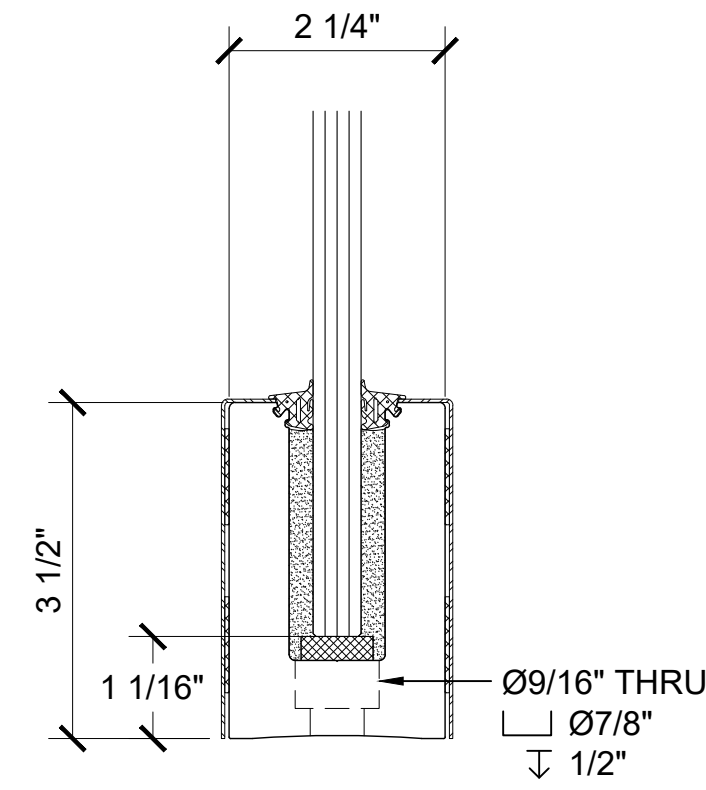
FASCIA MOUNTED BASE SHOE @ STEEL SUBSTRATE W/ WELD BLOCK

A3M & A5M SERIES 11/16"-13/16" TYPICAL FASCIA MOUNT ATTACHMENT

BY	JG
DATE	11/30/2021
REV#	0 1 2 3 4 5 6
Drawn By:	JG
Checked By:	JQ
Date:	11/30/2021

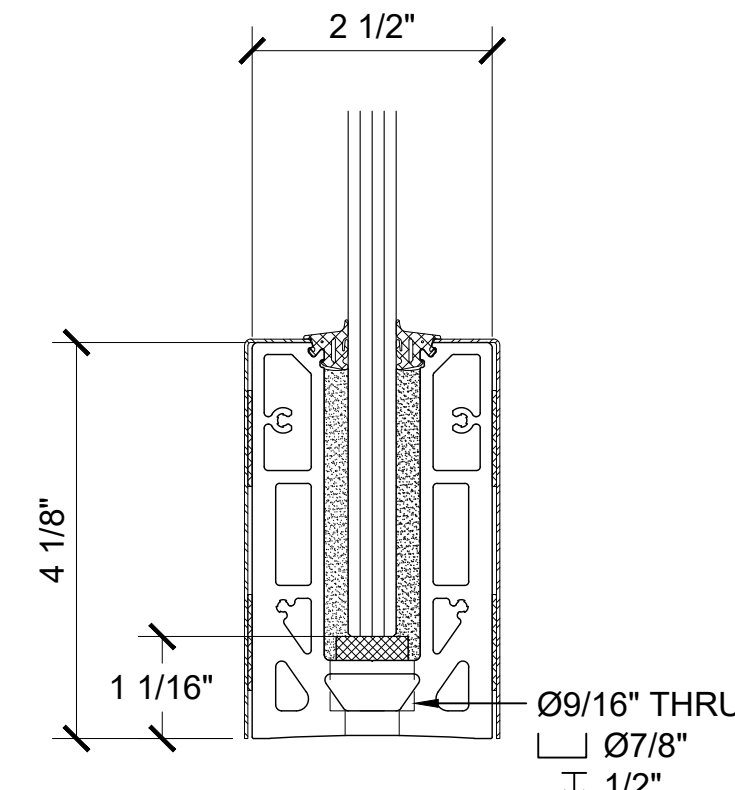
Sheet No.

D.2



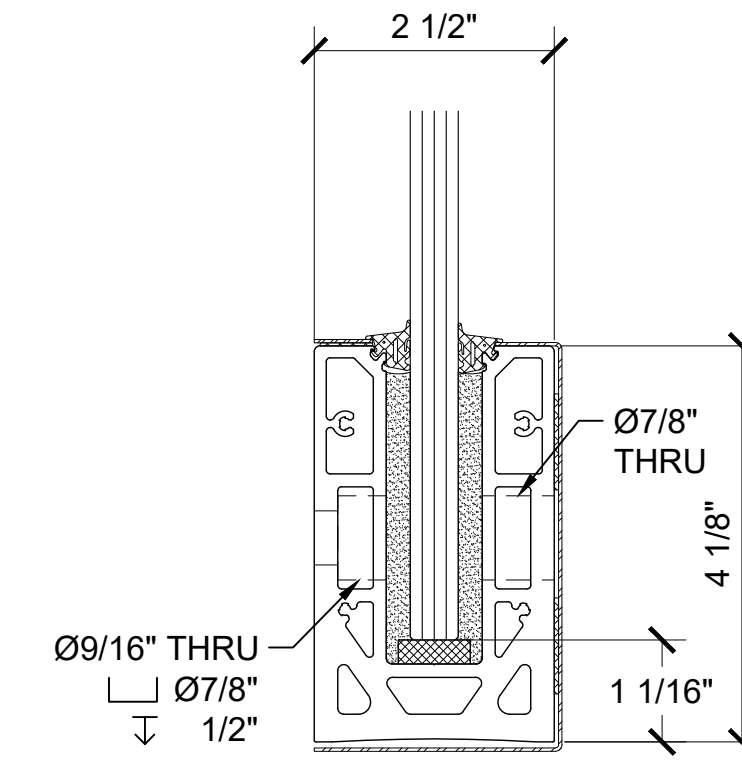
1/2" MONOLITHIC GLASS
W/ 1/4" x 3/4" SETTING BLOCK
WET SET W/ EXPANDING CEMENT

**FHC T5L TRADITIONAL SERIES
SURFACE MOUNTED LOW PROFILE BASE SHOE**



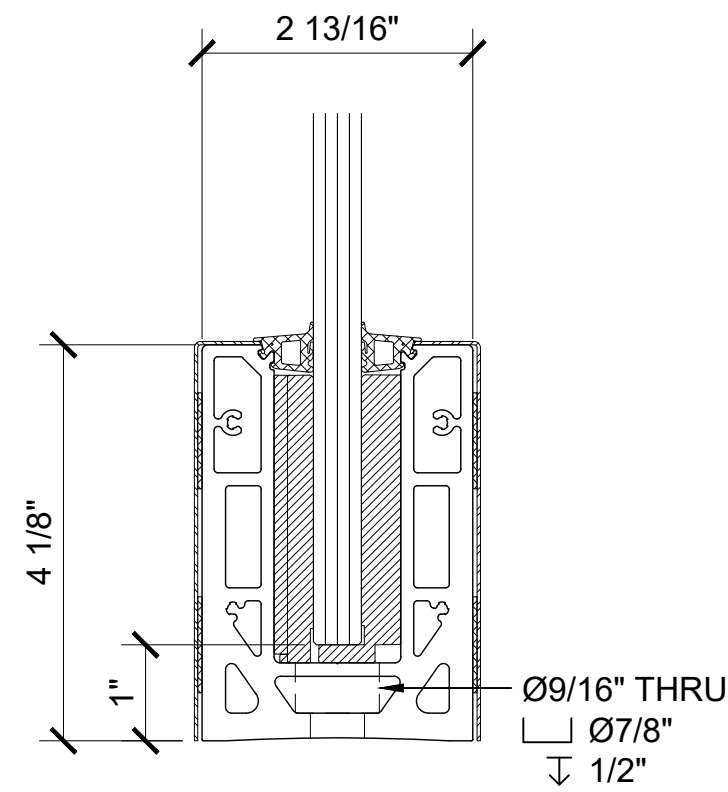
1/2" MONOLITHIC GLASS
W/ 1/4" x 3/4" SETTING BLOCK
WET SET W/ EXPANDING CEMENT

**FHC T5M TRADITIONAL SERIES
SURFACE MOUNTED BASE SHOE**



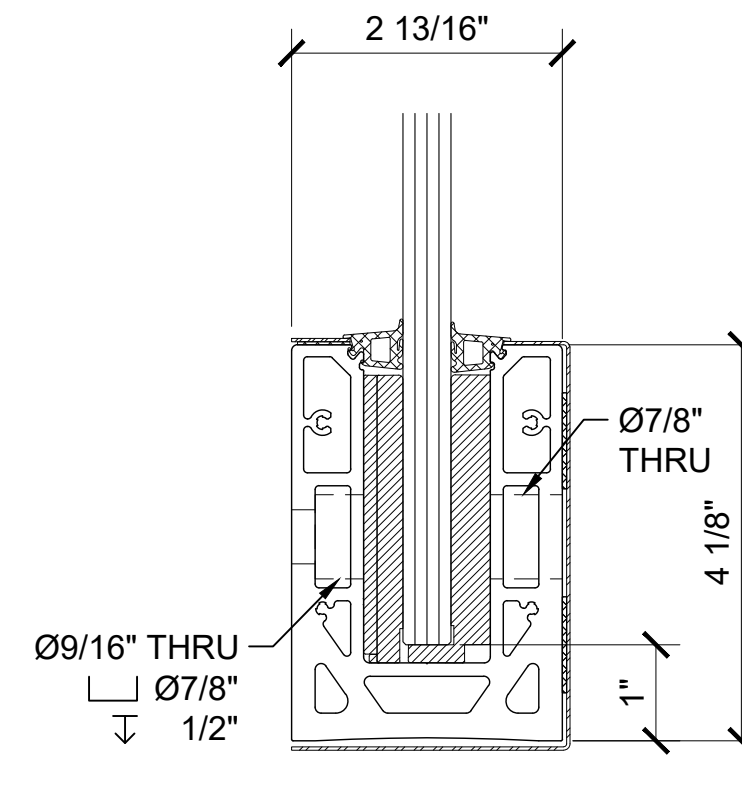
1/2" MONOLITHIC GLASS
W/ 1/4" x 3/4" SETTING BLOCK
WET SET W/ EXPANDING CEMENT

**FHC T5M TRADITIONAL SERIES
FASCIA MOUNTED BASE SHOE**



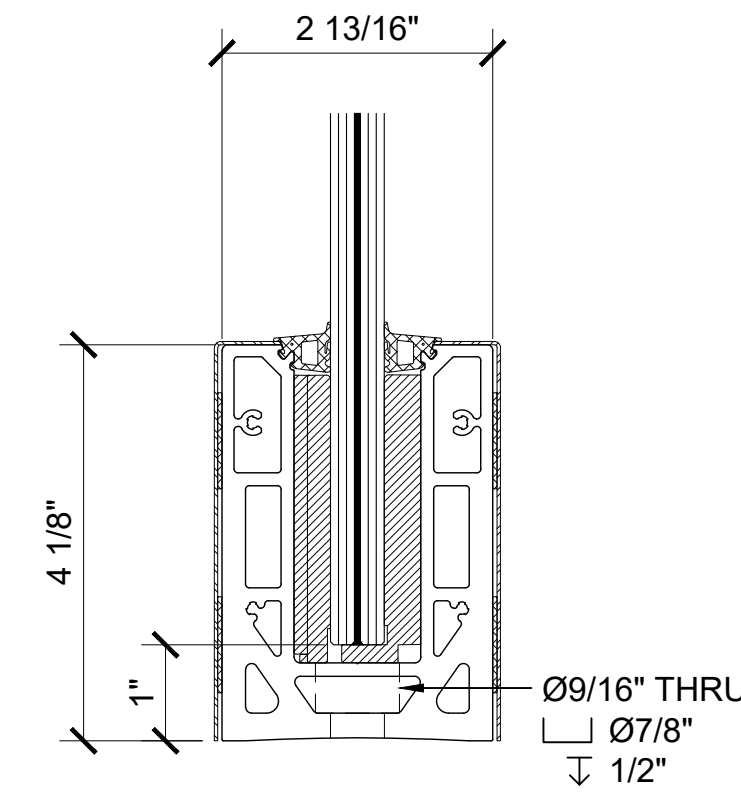
1/2" MONOLITHIC GLASS
W/ ACH2G SHIM SET

**FHC ACHIEVE A1M SERIES
SURFACE MOUNTED BASE SHOE**



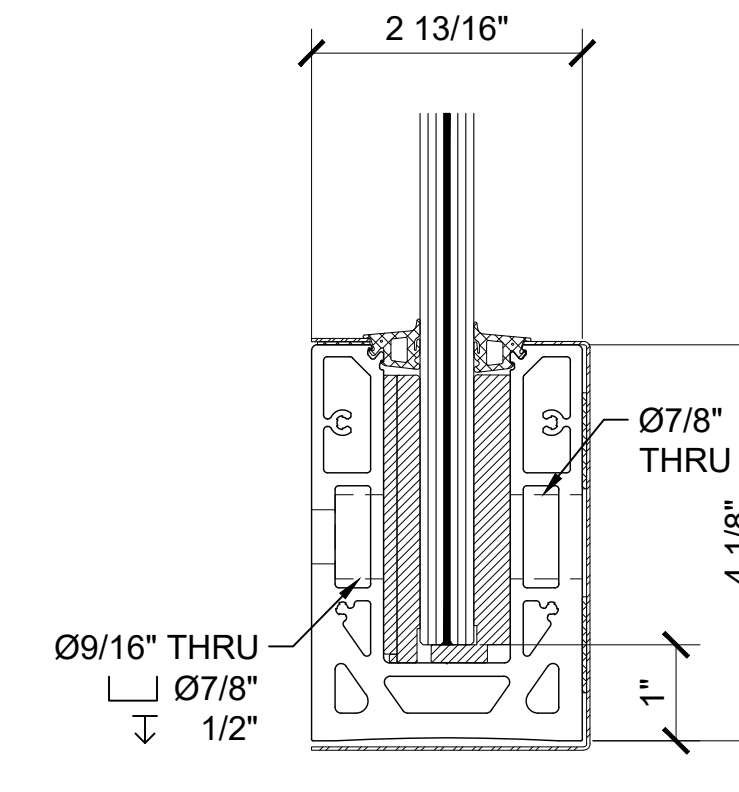
1/2" MONOLITHIC GLASS
W/ ACH2G SHIM SET

**FHC ACHIEVE A1M SERIES
FASCIA MOUNTED BASE SHOE**



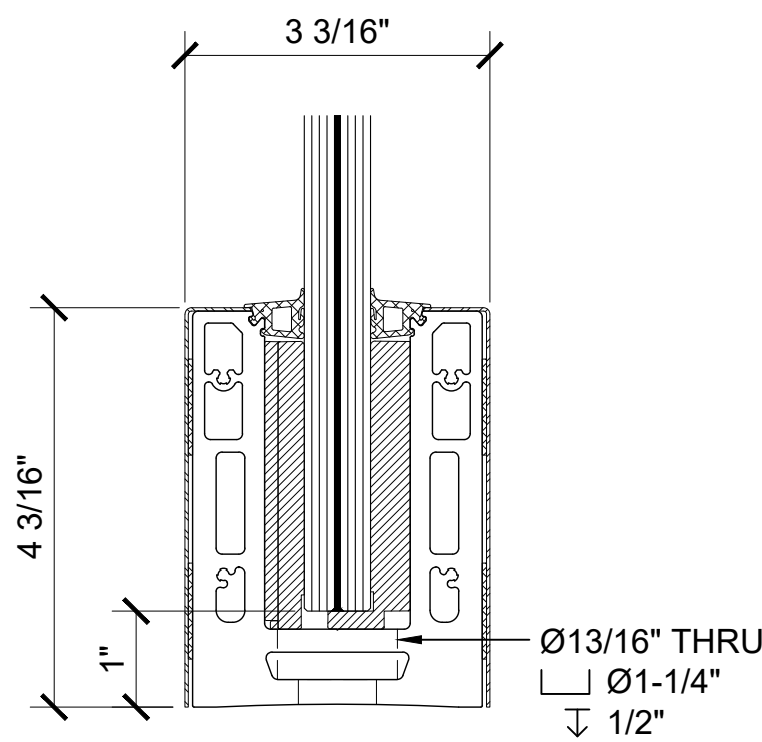
9/16" LAMINATED GLASS
W/ ACH2G SHIM SET

**FHC ACHIEVE A1M SERIES
SURFACE MOUNTED BASE SHOE**



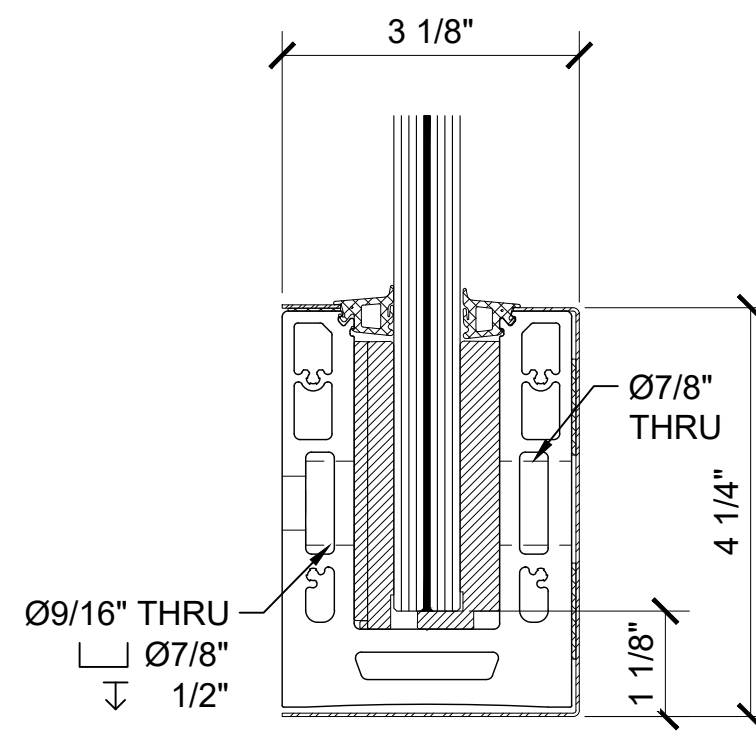
9/16" LAMINATED GLASS
W/ ACH2G SHIM SET

**FHC ACHIEVE A1M SERIES
FASCIA MOUNTED BASE SHOE**



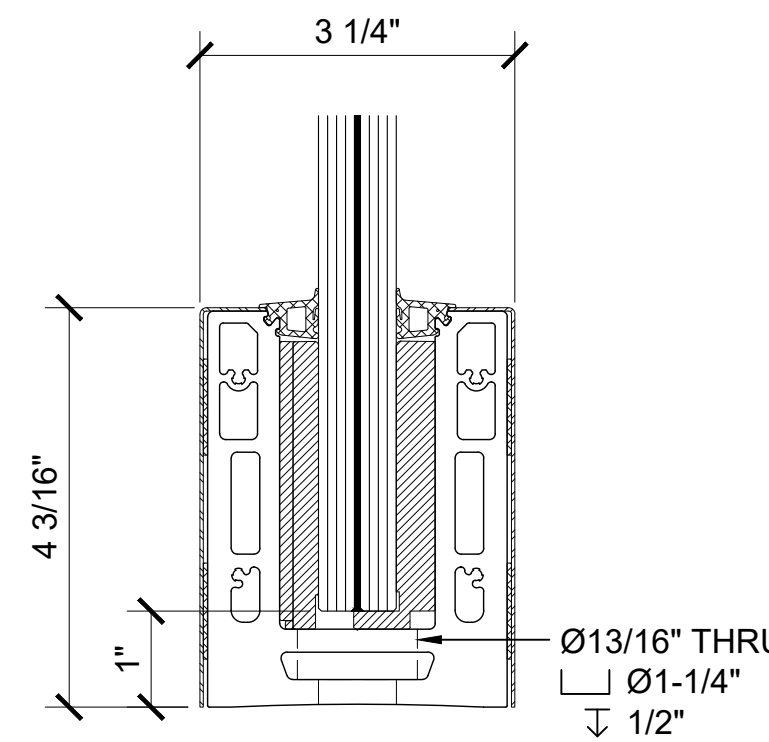
11/16" LAMINATED GLASS
W/ ACH3G SHIM SET

**FHC ACHIEVE A3M SERIES
SURFACE MOUNTED BASE SHOE**



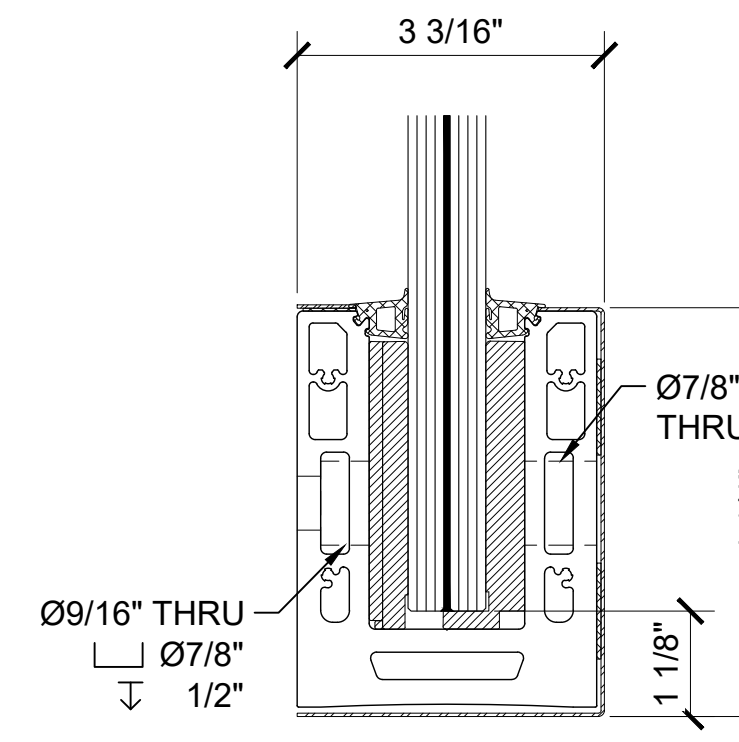
11/16" LAMINATED GLASS
W/ ACH3G SHIM SET

**FHC ACHIEVE A3M SERIES
FASCIA MOUNTED BASE SHOE**



13/16" LAMINATED GLASS
W/ ACH3G SHIM SET

**FHC ACHIEVE A5M SERIES
SURFACE MOUNTED BASE SHOE**



13/16" LAMINATED GLASS
W/ ACH3G SHIM SET

**FHC ACHIEVE A5M SERIES
FASCIA MOUNTED BASE SHOE**

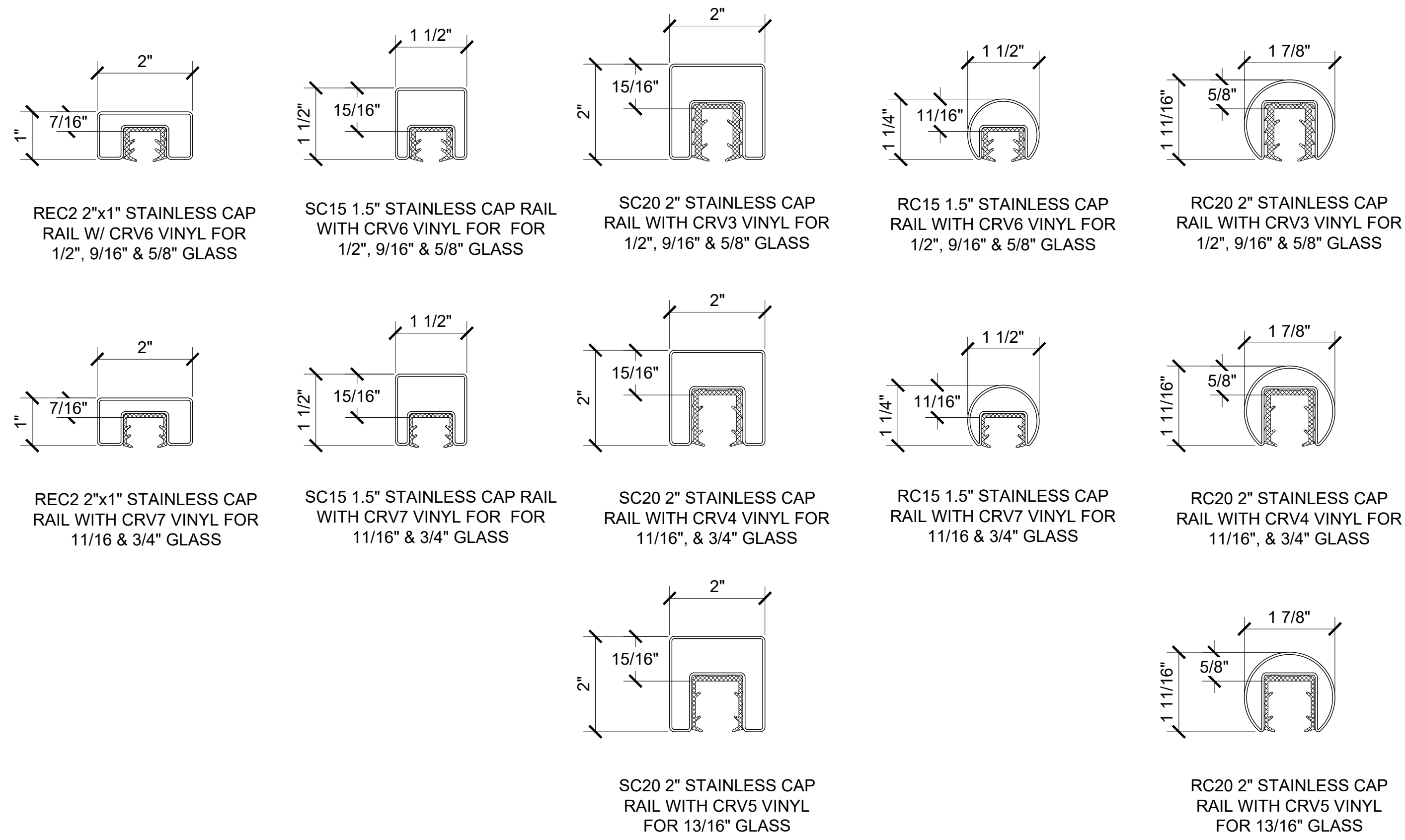


FHC ACHIEVE™
FGR FRAMELESS GLASS RAILINGS

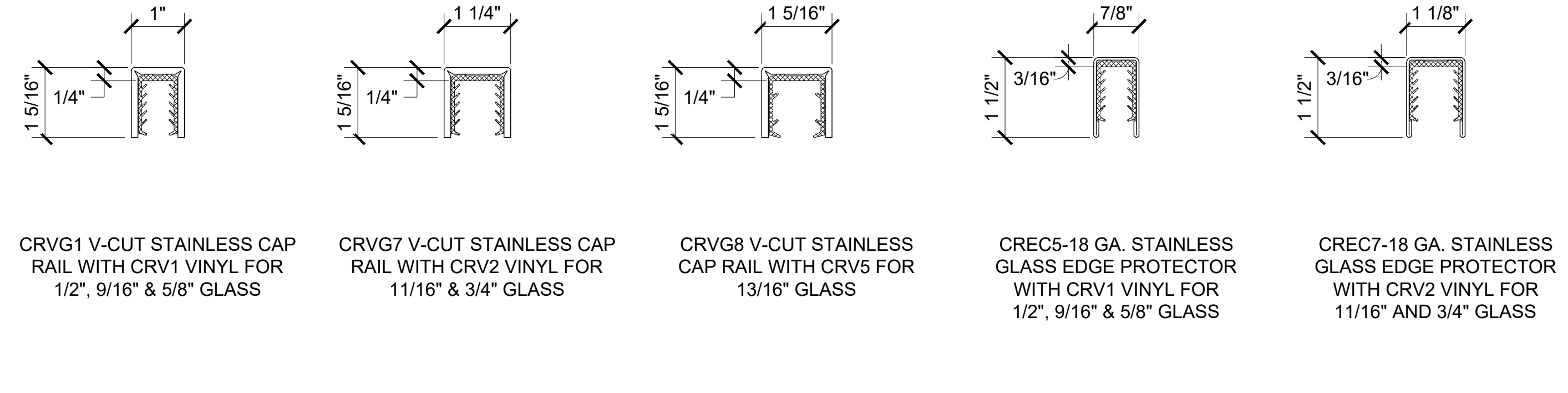
REV#	0	1	2	3	4	5	6
DATE	11/30/2021						
BY	JG						
Drawn By:	JG						
Checked By:	JQ						
Date:	11/30/2021						

Sheet No.

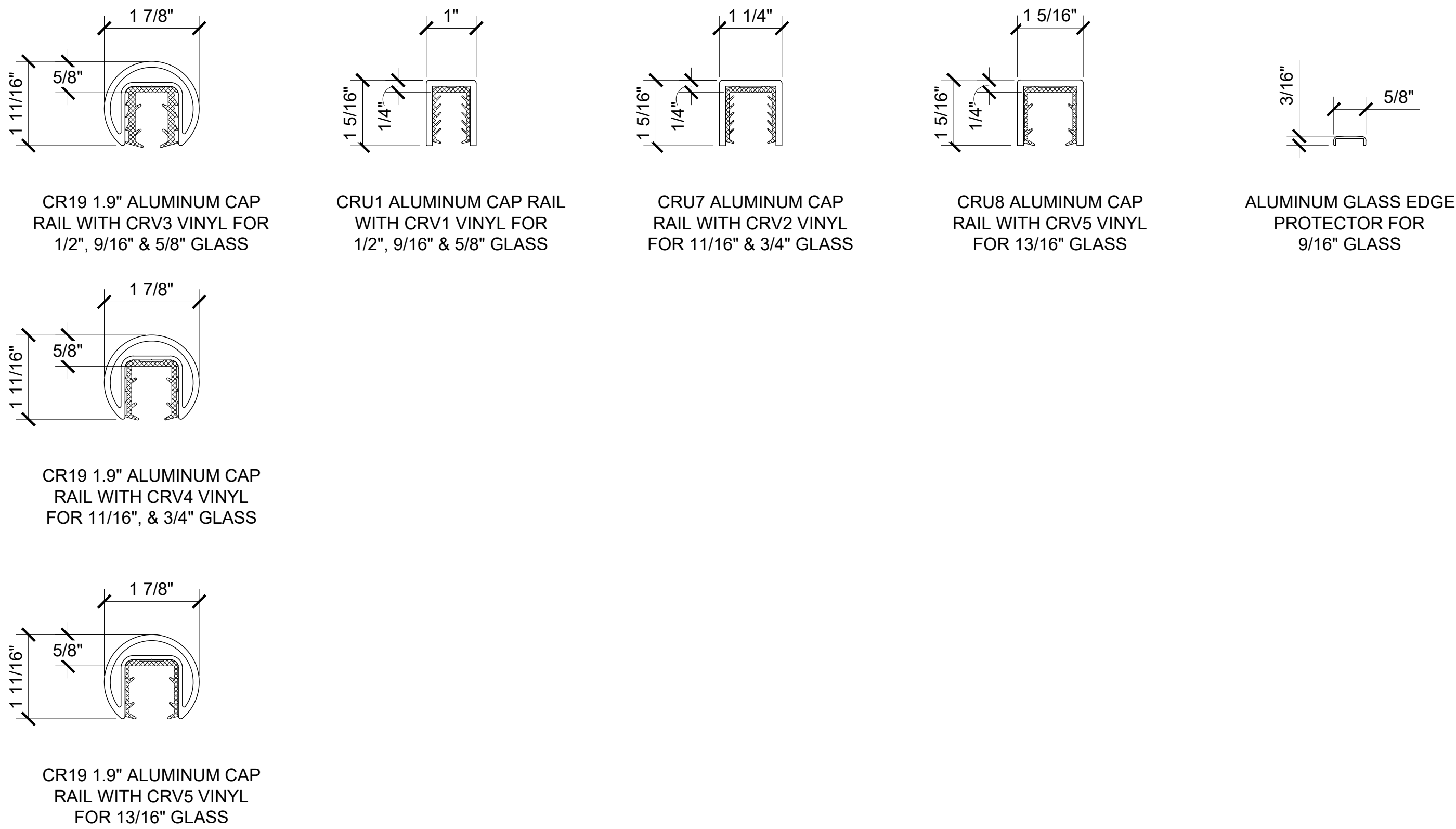
D.3



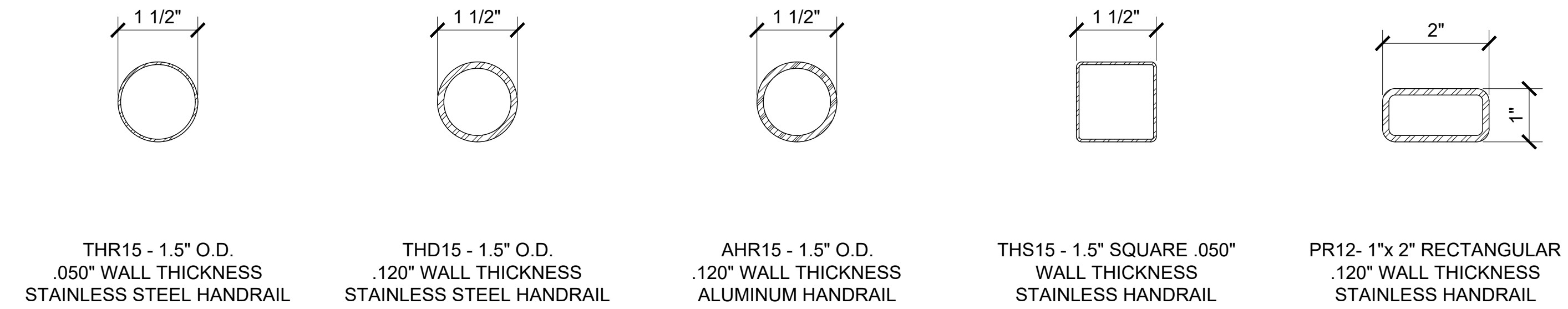
ROLLED FORMED CAP RAILS



FORMED STAINLESS STEEL U-CHANNEL CAP RAILS



EXTRUDED ALUMINUM CAP RAILS



HAND RAIL PROFILES

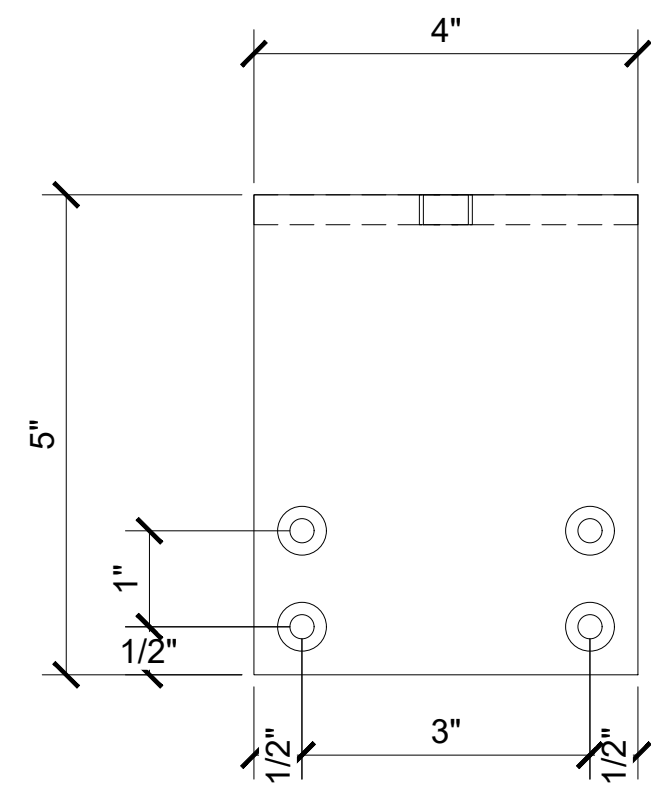


FHC **ACHIEVE™**
FGR FRAMELESS GLASS RAILINGS

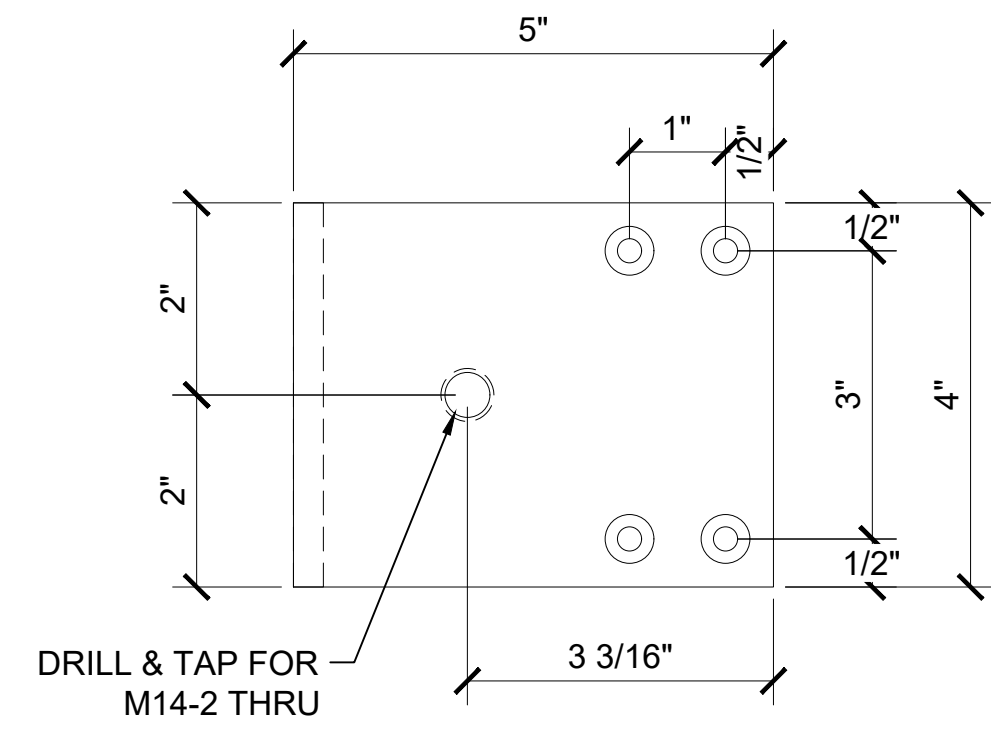
REV#	0	1	2	3	4	5	6
DATE	11/30/2021						
BY	JG						
Drawn By:	JG						
Checked By:	JQ						
Date:	11/30/2021						

Sheet No.

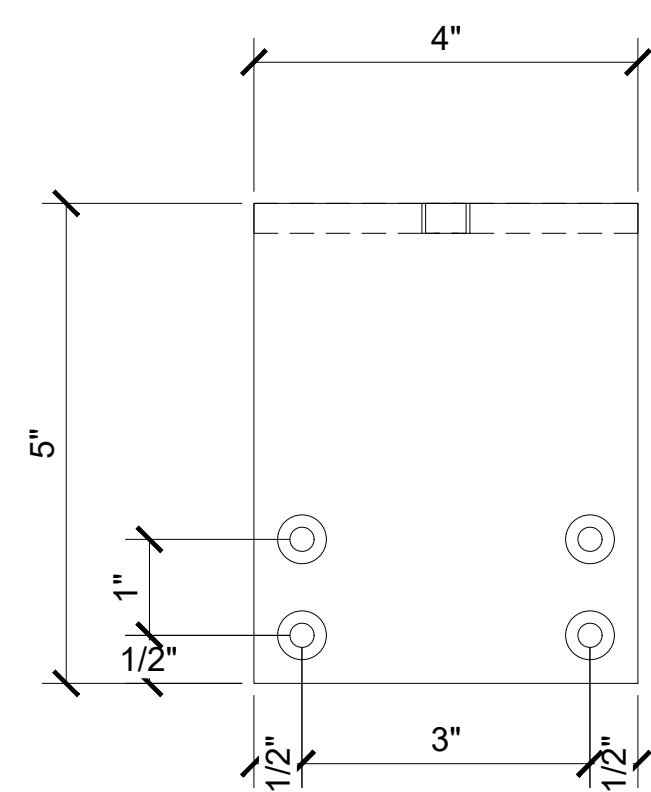
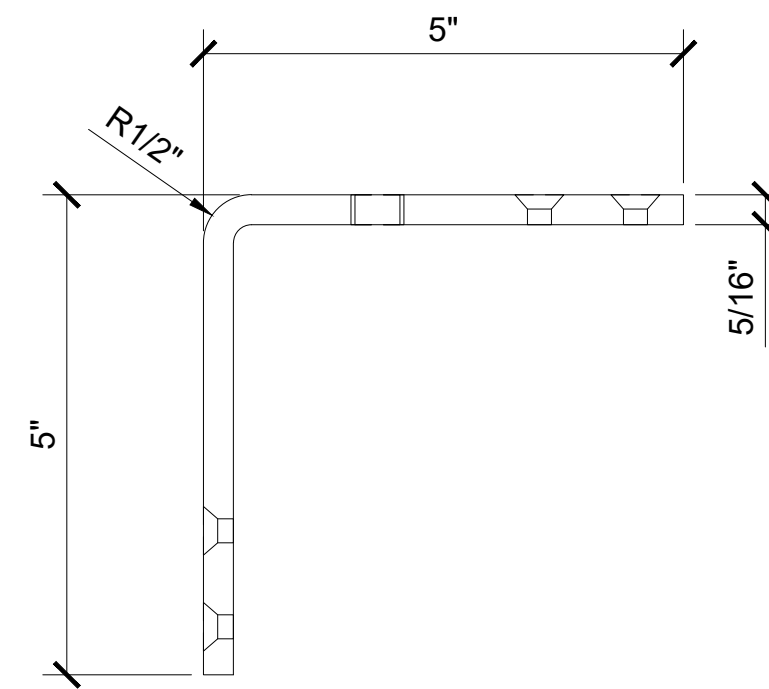
D.4



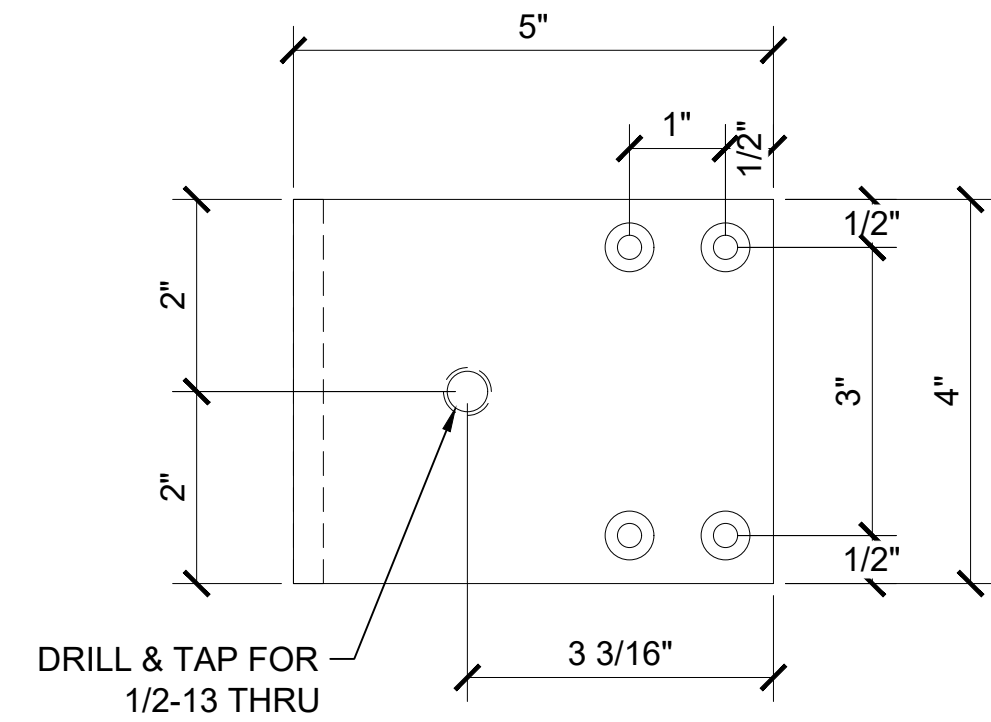
GRWA2 - WOOD MOUNT STEEL ANGLE FOR A3M & A5M BASE SHOES



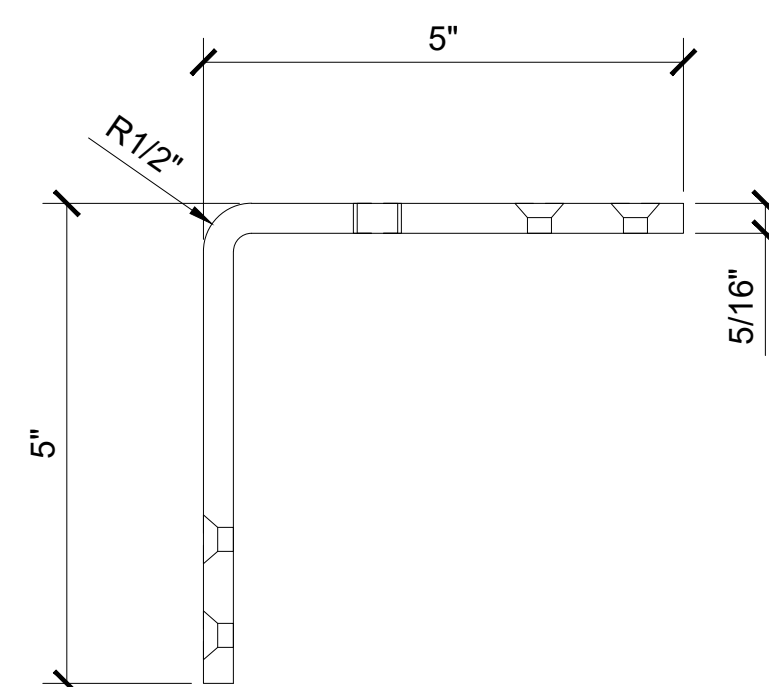
DRILL & TAP FOR M14-2 THRU



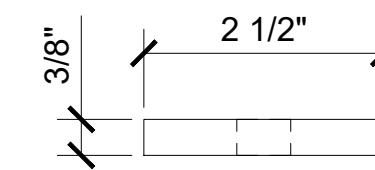
GRWA1 - WOOD MOUNT STEEL ANGLE FOR T5L, T5M & A1M BASE SHOES



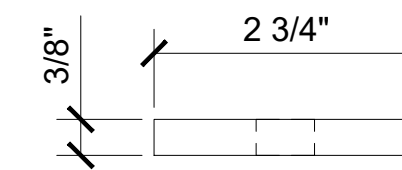
DRILL & TAP FOR 1/2-13 THRU



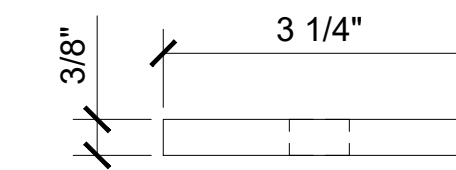
BASE SHOE WOOD MOUNT STEEL ANGLE



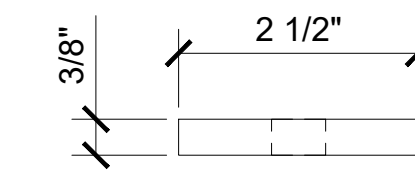
GRDB1 - DRAIN BLOCK FOR T5L & T5M BASE SHOES



GRDB2 - DRAIN BLOCK FOR A1M BASE SHOES

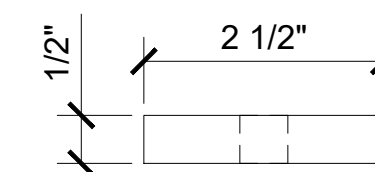


GRDB3 - DRAIN BLOCK FOR A3M AND A5M BASE SHOES

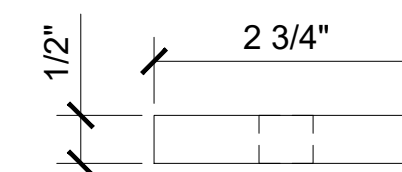


GRDBF1 - FASCIA MOUNTED DRAIN BLOCK FOR T5M, A1M, A3M, A5M

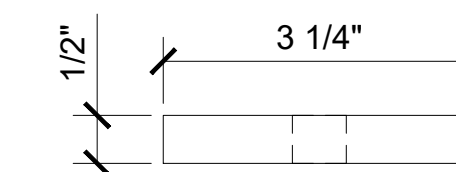
DRAIN BLOCKS



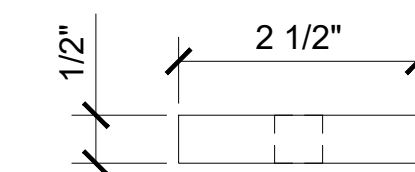
GRWB1 - STEEL WELD BLOCK FOR T5L & T5M BASE SHOES



GRWB2 - STEEL WELD BLOCK FOR A1M BASE SHOES



GRWB3 - STEEL WELD BLOCK FOR A3M AND A5M BASE SHOES



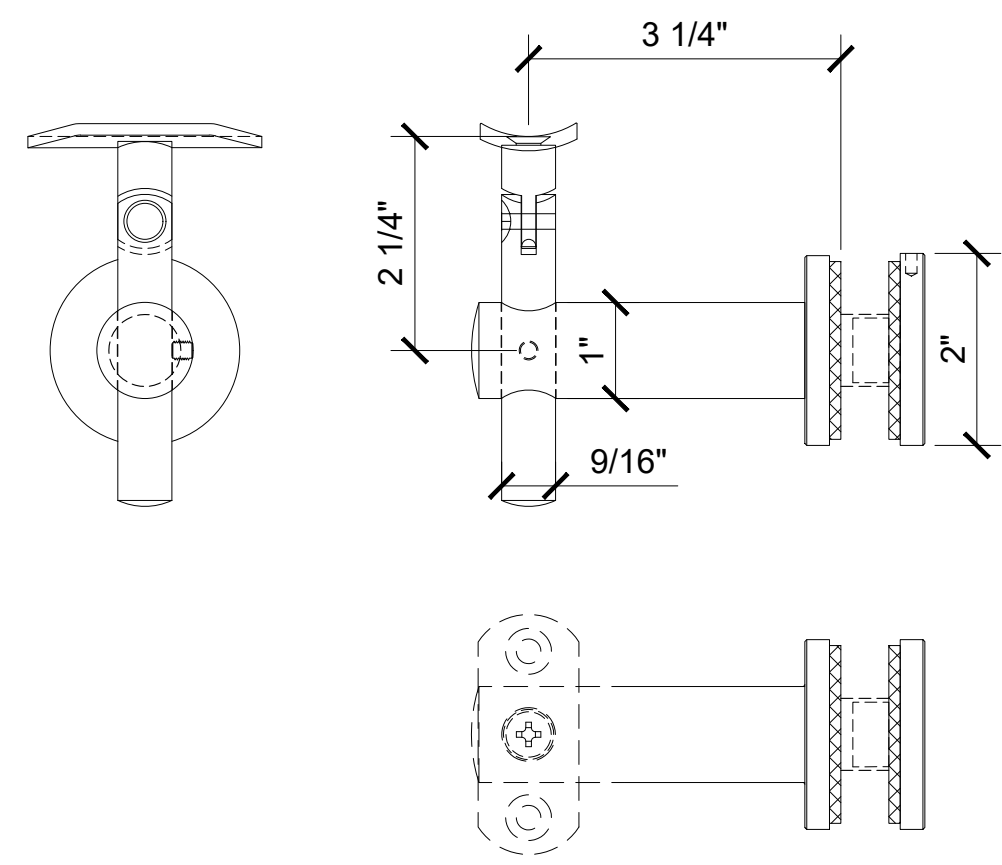
GRWBF1 - FASCIA MOUNTED STEEL WELD BLOCK FOR T5M, A1M, A3M, A5M

STEEL WELD BLOCKS

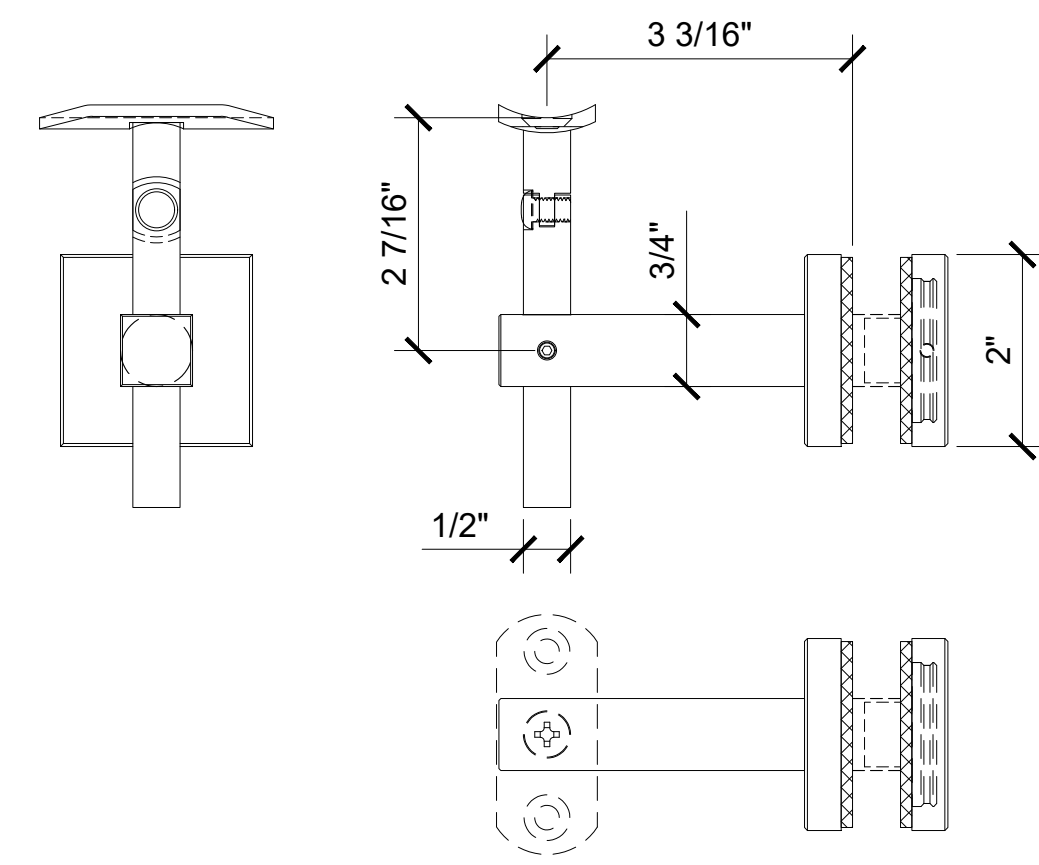
REV#	0	1	2	3	4	5	6
DATE	11/30/2021						
BY	JG						
Drawn By:	JG						
Checked By:	JQ						
Date:	11/30/2021						

Sheet No.

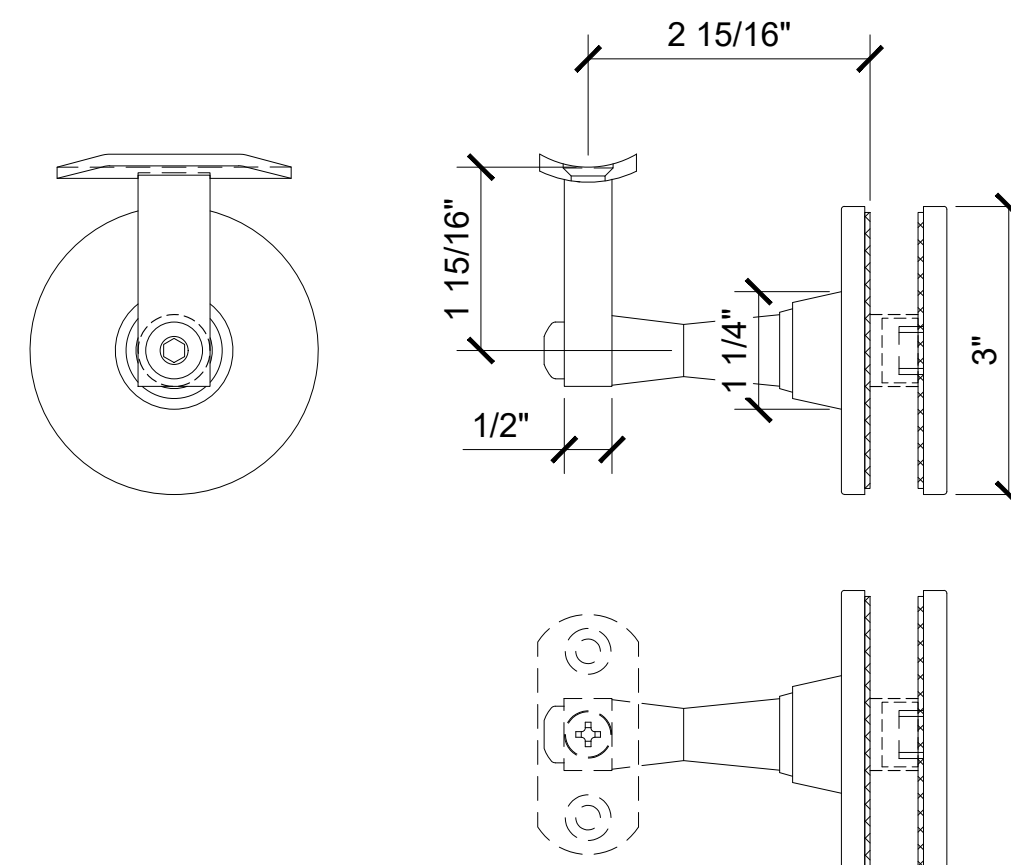
D.5



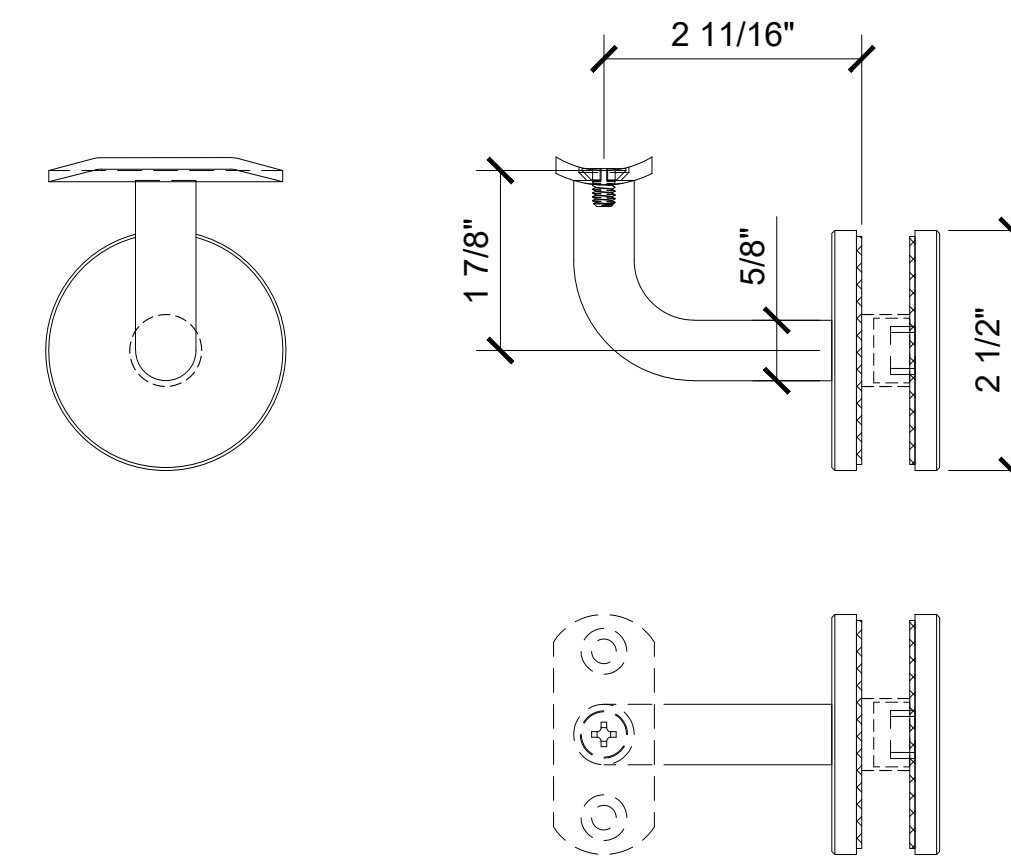
HB2G - GLASS MOUNTED
ALSO AVAILABLE W/ FLAT SADDLE



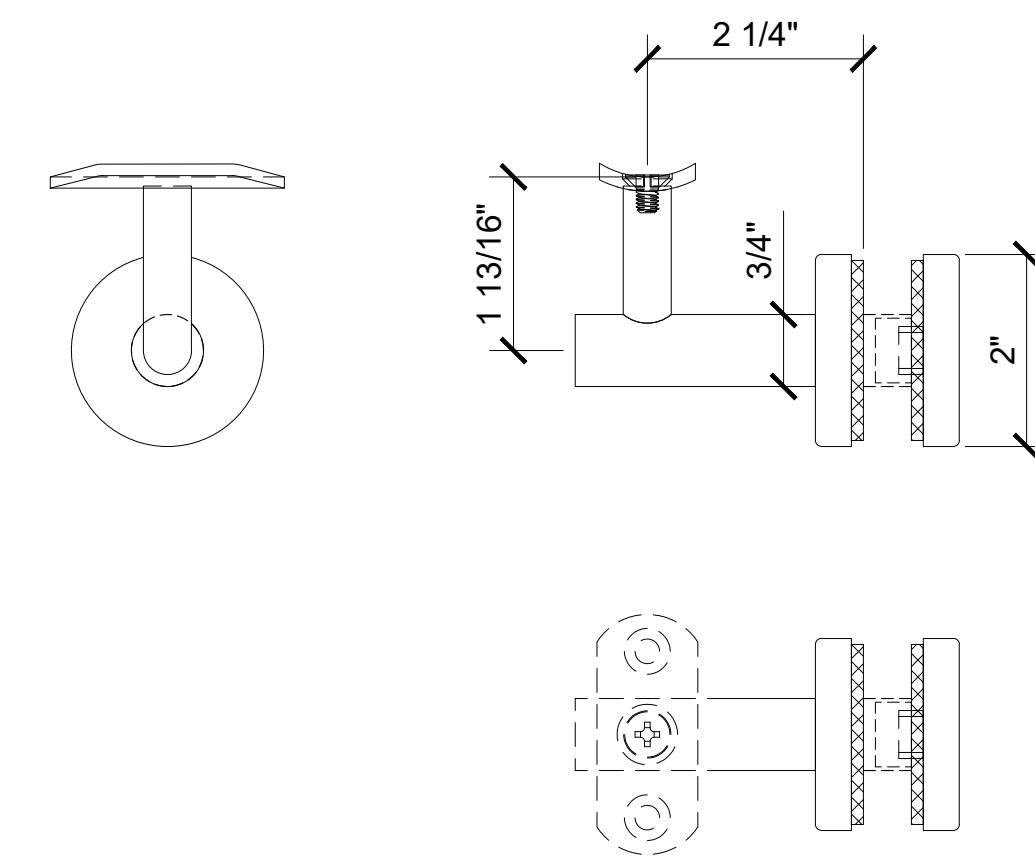
HB3G - GLASS MOUNTED
ALSO AVAILABLE W/ FLAT SADDLE



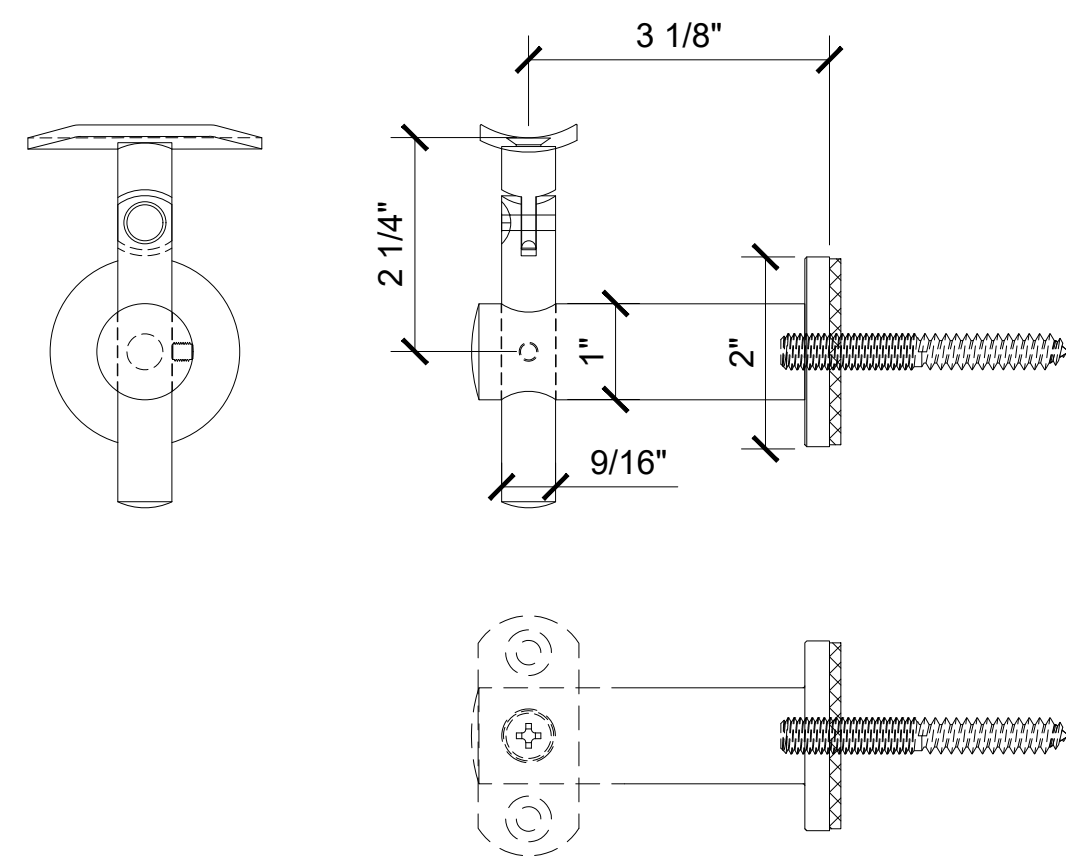
HB4G - GLASS MOUNTED
ALSO AVAILABLE W/ FLAT SADDLE



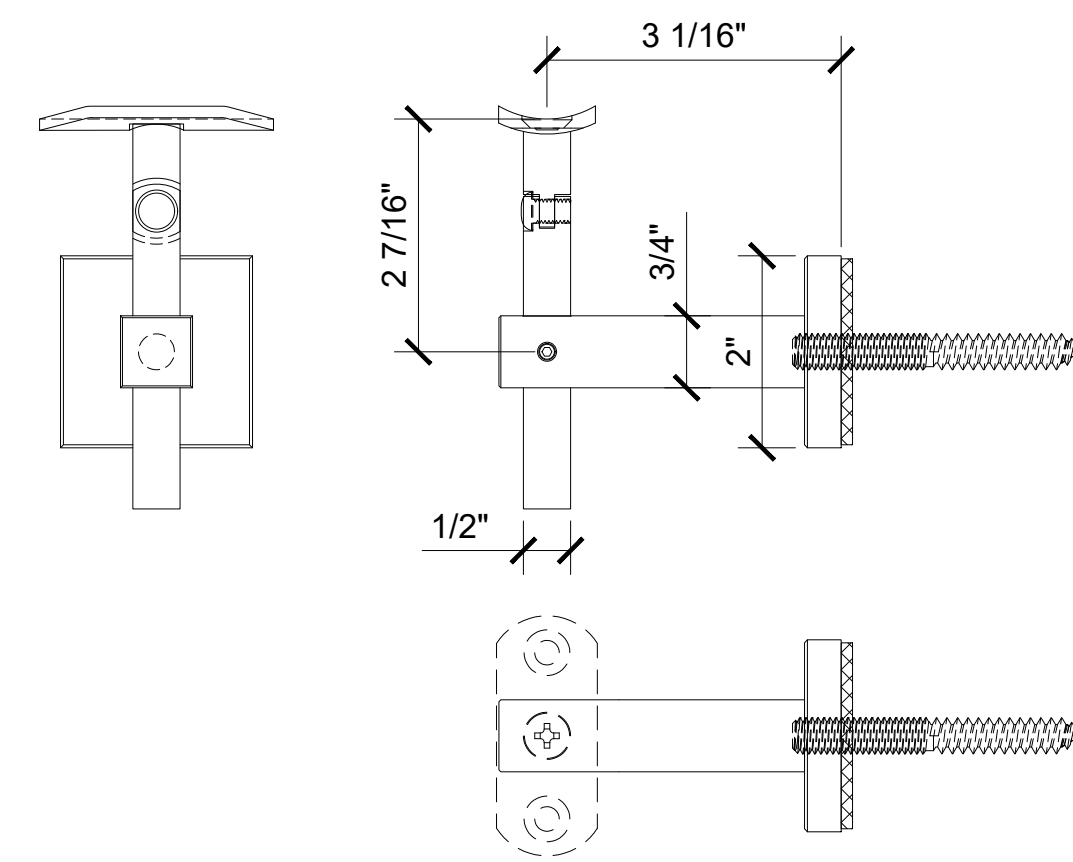
HB5G - GLASS MOUNTED
ALSO AVAILABLE W/ FLAT SADDLE



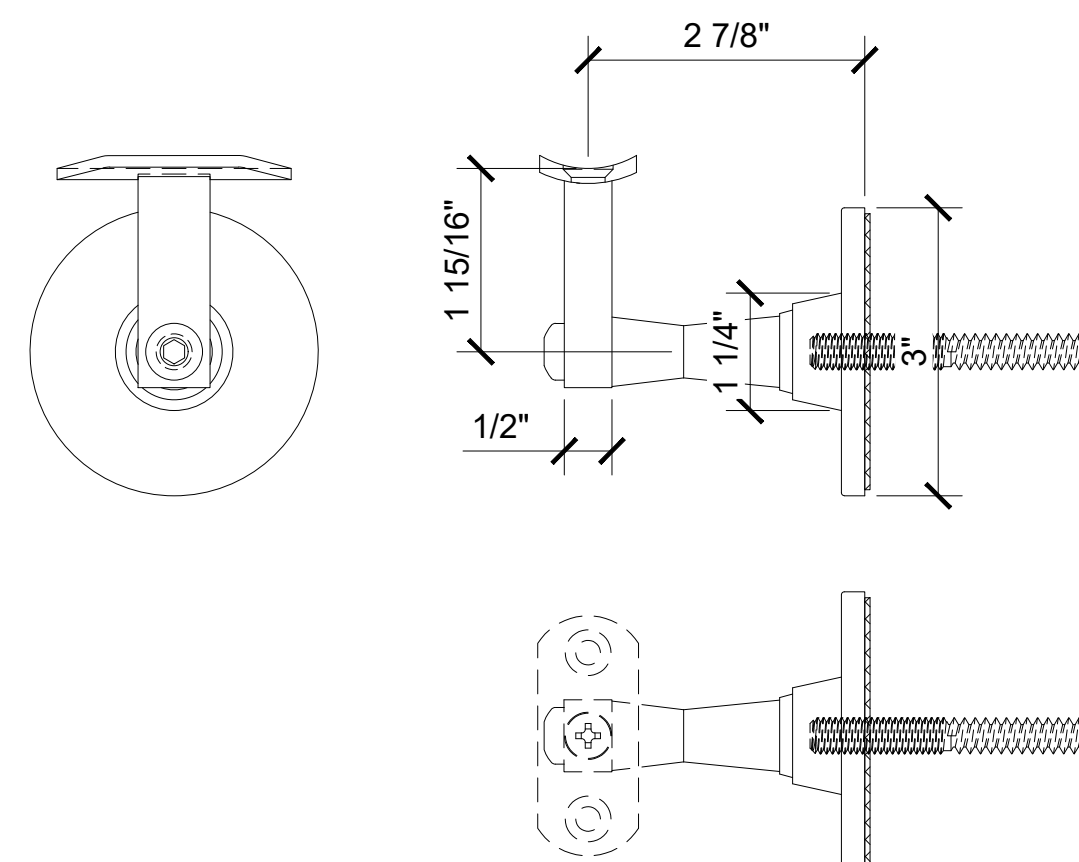
HB6G - GLASS MOUNTED
ALSO AVAILABLE W/ FLAT SADDLE



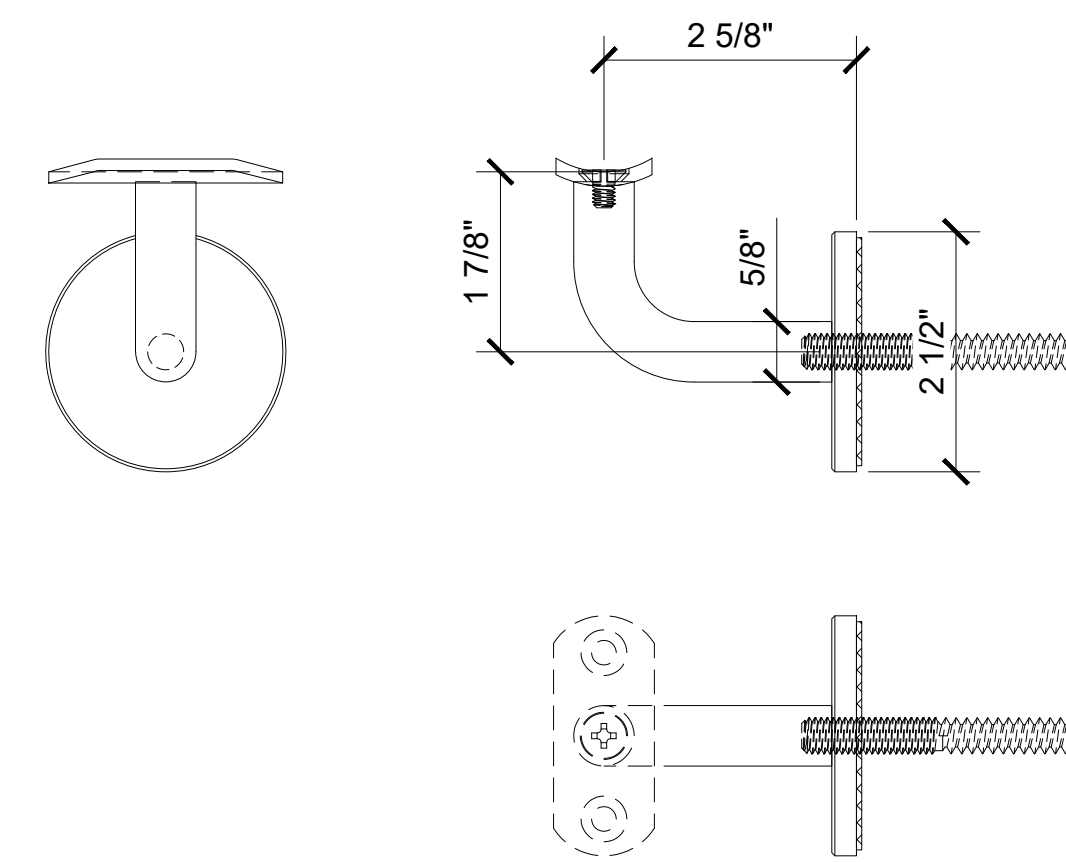
HB2W - WALL MOUNTED
ALSO AVAILABLE W/ FLAT SADDLE



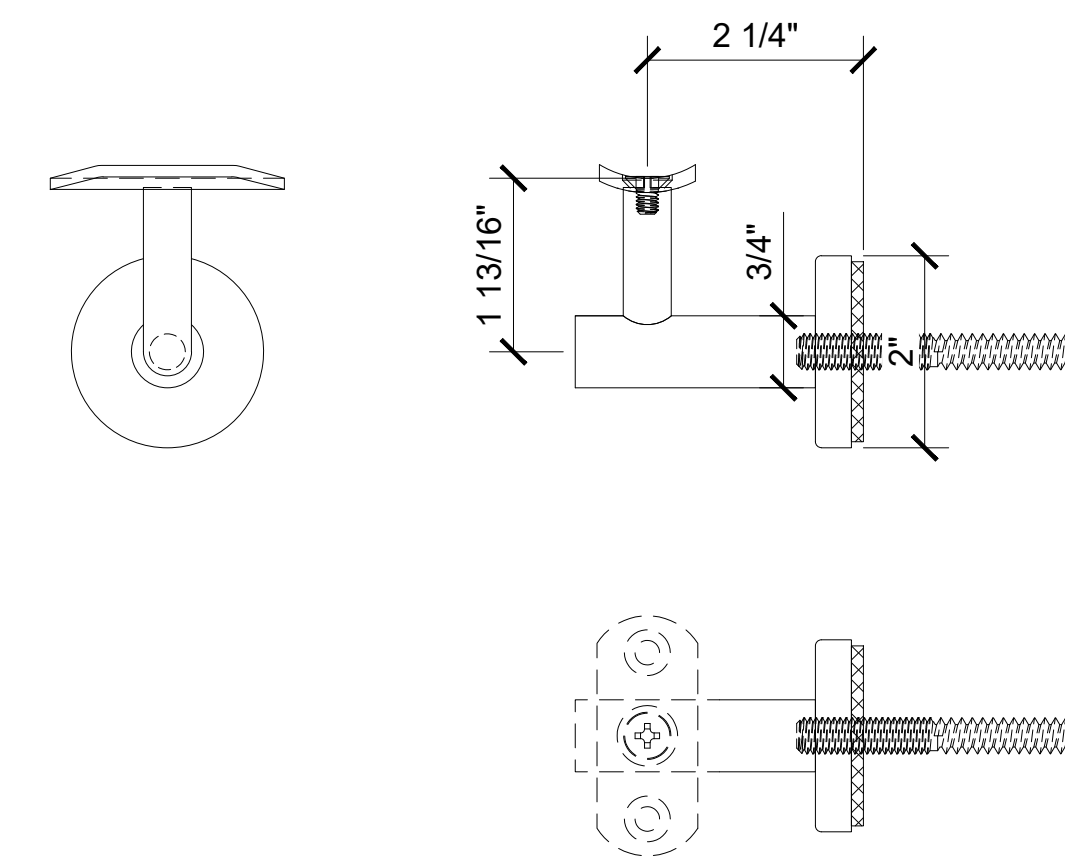
HB3W - WALL MOUNTED
ALSO AVAILABLE W/ FLAT SADDLE



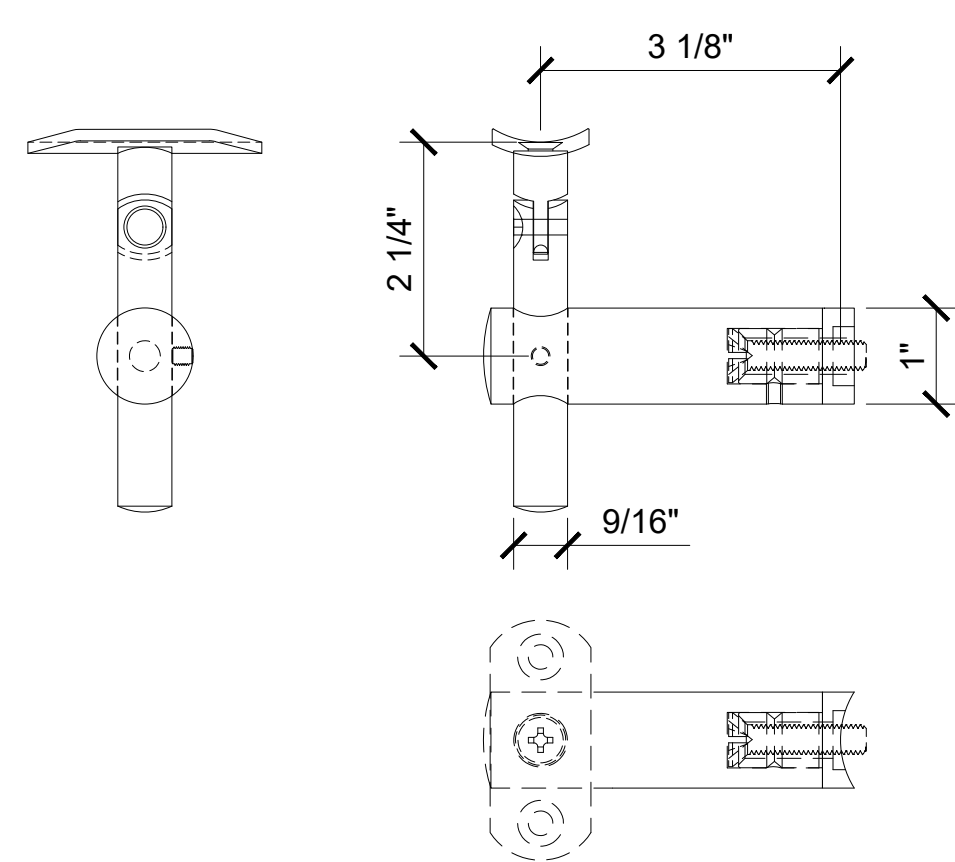
HB4W - WALL MOUNTED
ALSO AVAILABLE W/ FLAT SADDLE



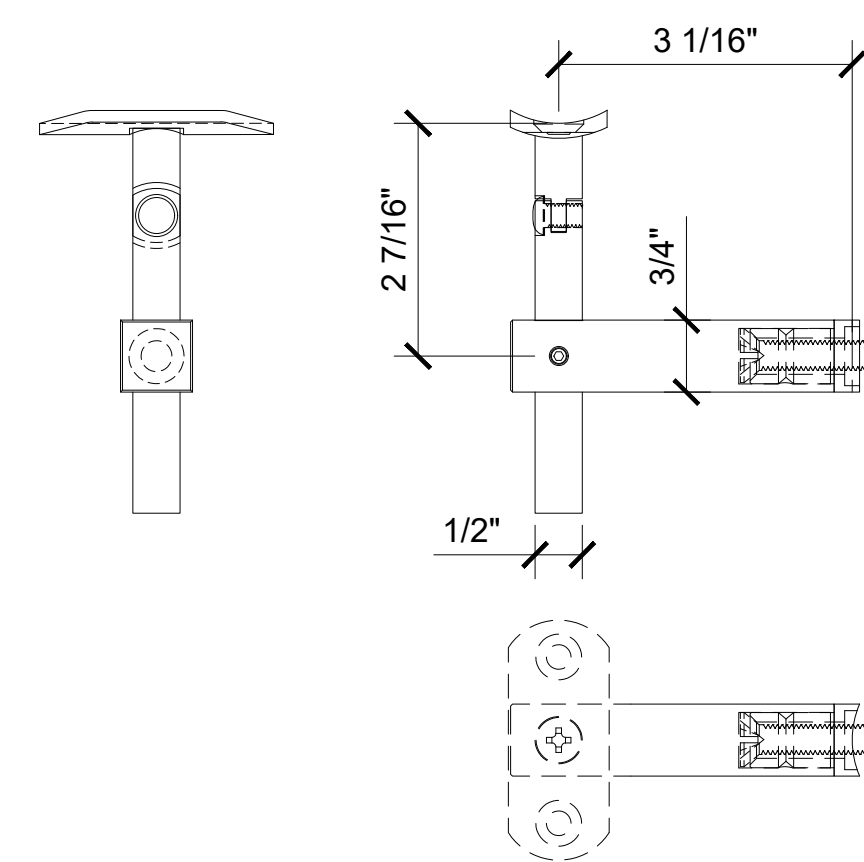
HB5W - WALL MOUNTED
ALSO AVAILABLE W/ FLAT SADDLE



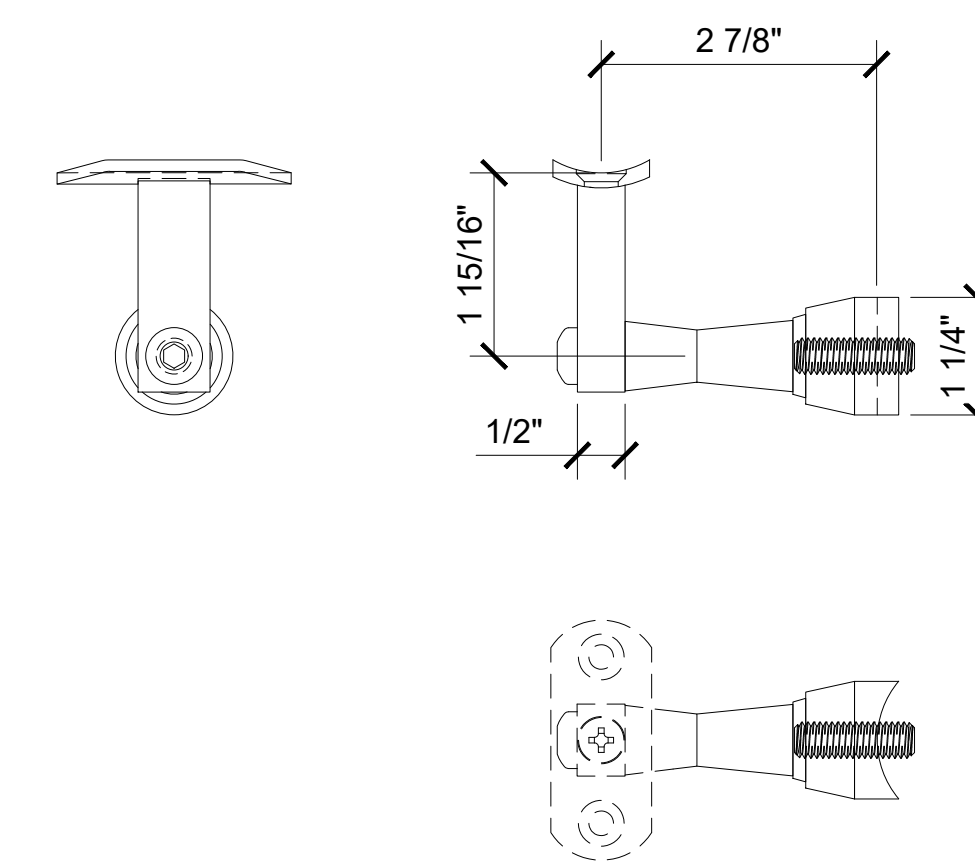
HB6W - WALL MOUNTED
ALSO AVAILABLE W/ FLAT SADDLE



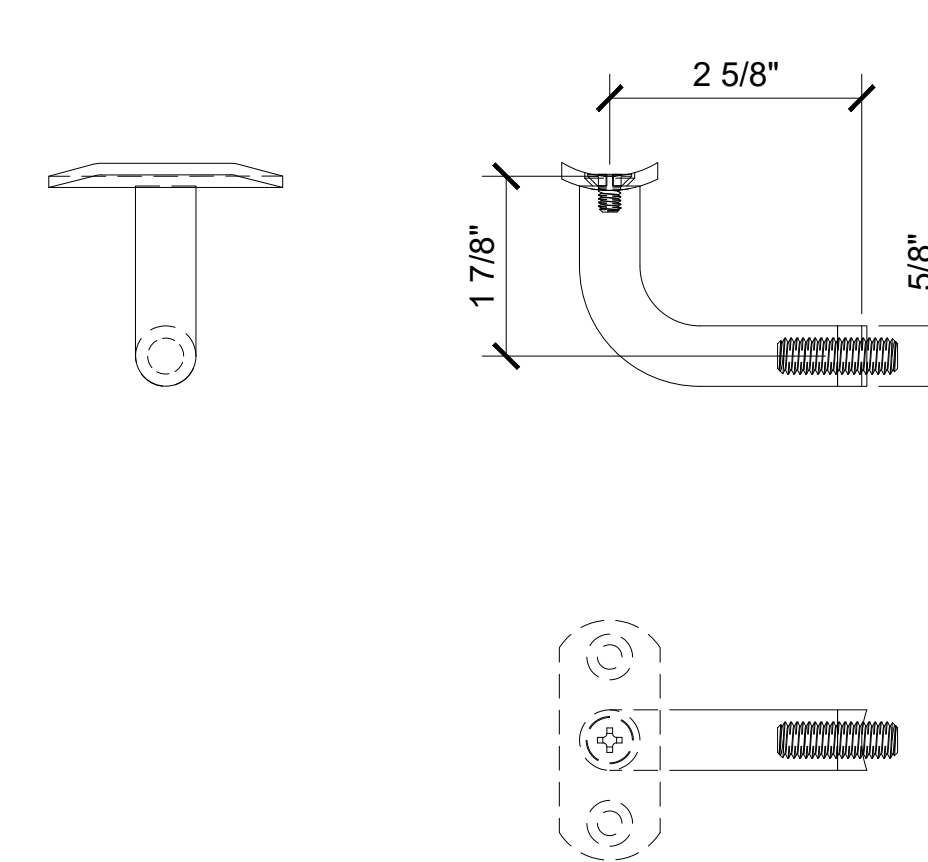
HB2P - POST MOUNTED INCLUDES
ADAPTERS FOR ROUND AND SQUARE POST
ALSO AVAILABLE W/ FLAT SADDLE



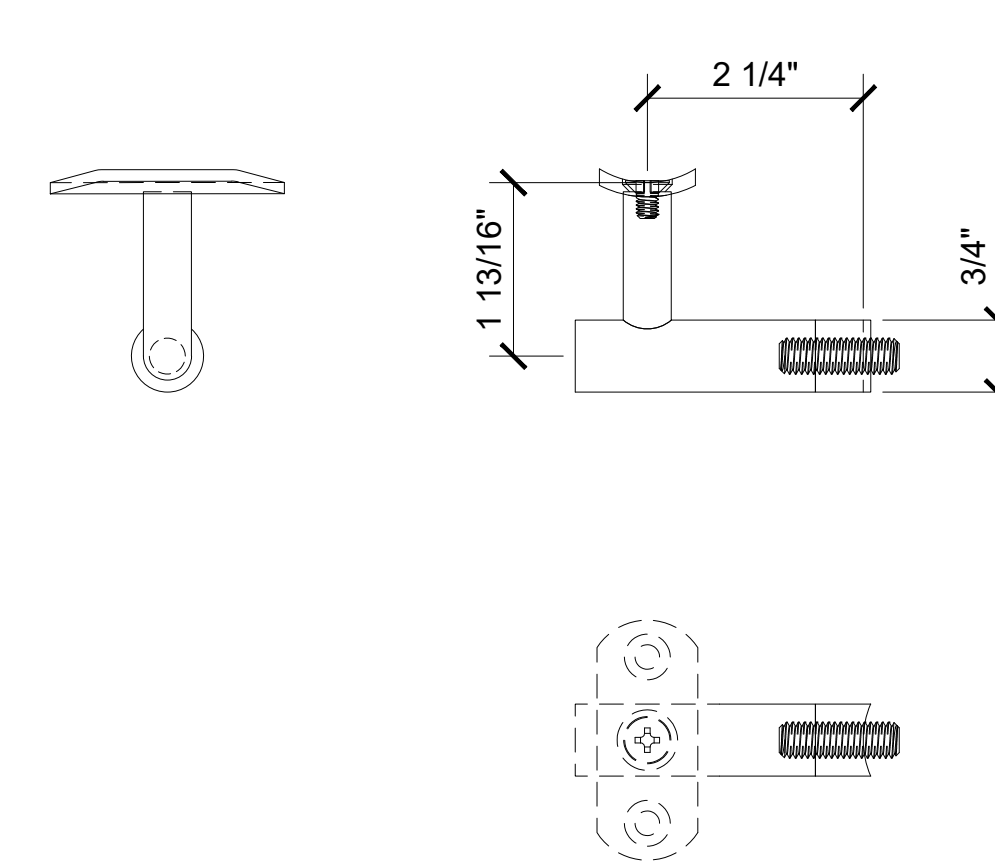
HB3P - POST MOUNTED INCLUDES ADAPTERS
FOR ROUND AND SQUARE POST
ALSO AVAILABLE W/ FLAT SADDLE



HB4P - POST MOUNTED INCLUDES
ADAPTERS FOR ROUND AND SQUARE POST
ALSO AVAILABLE W/ FLAT SADDLE



HB5P - POST MOUNTED INCLUDES
ADAPTERS FOR ROUND AND SQUARE POST
ALSO AVAILABLE W/ FLAT SADDLE



HB6P - POST MOUNTED INCLUDES
ADAPTERS FOR ROUND AND SQUARE POST
ALSO AVAILABLE W/ FLAT SADDLE

HB2 SERIES ELYSIAN HAND RAIL BRACKETS

HB3 SERIES VALLEY HAND RAIL BRACKETS

HB4 SERIES HIGHLAND HAND RAIL BRACKETS

HB5 SERIES BREA HAND RAIL BRACKETS

HB6 SERIES MELROSE HAND RAIL BRACKETS



FHC ACHIEVE™
FGR FRAMELESS GLASS RAILINGS

REV#	0	1	2	3	4	5	6
DATE	11/30/2021						
BY	JG						
Drawn By:	JG						
Checked By:	JQ						
Date:	11/30/2021						

Sheet No.

D.6