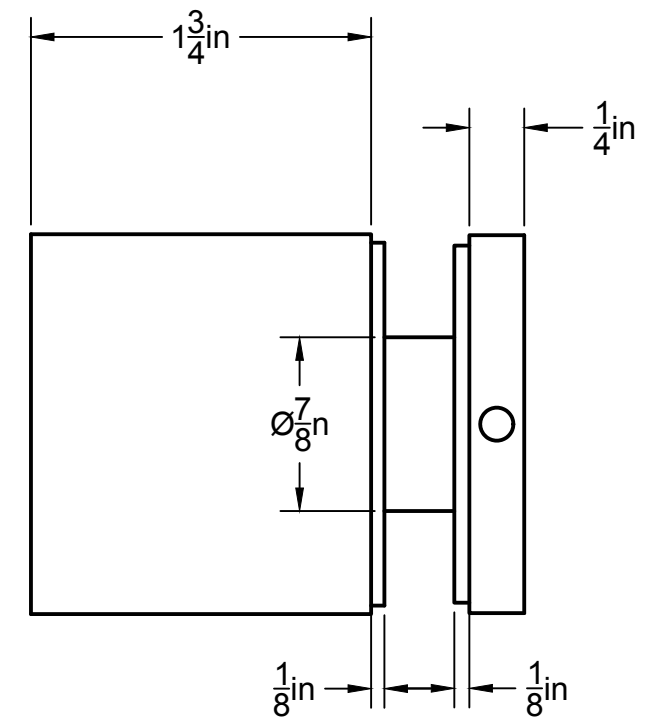
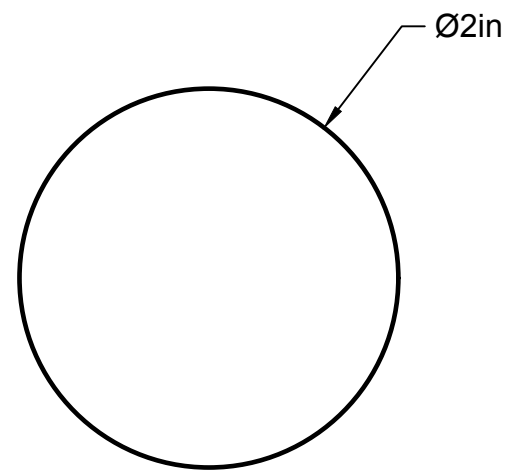
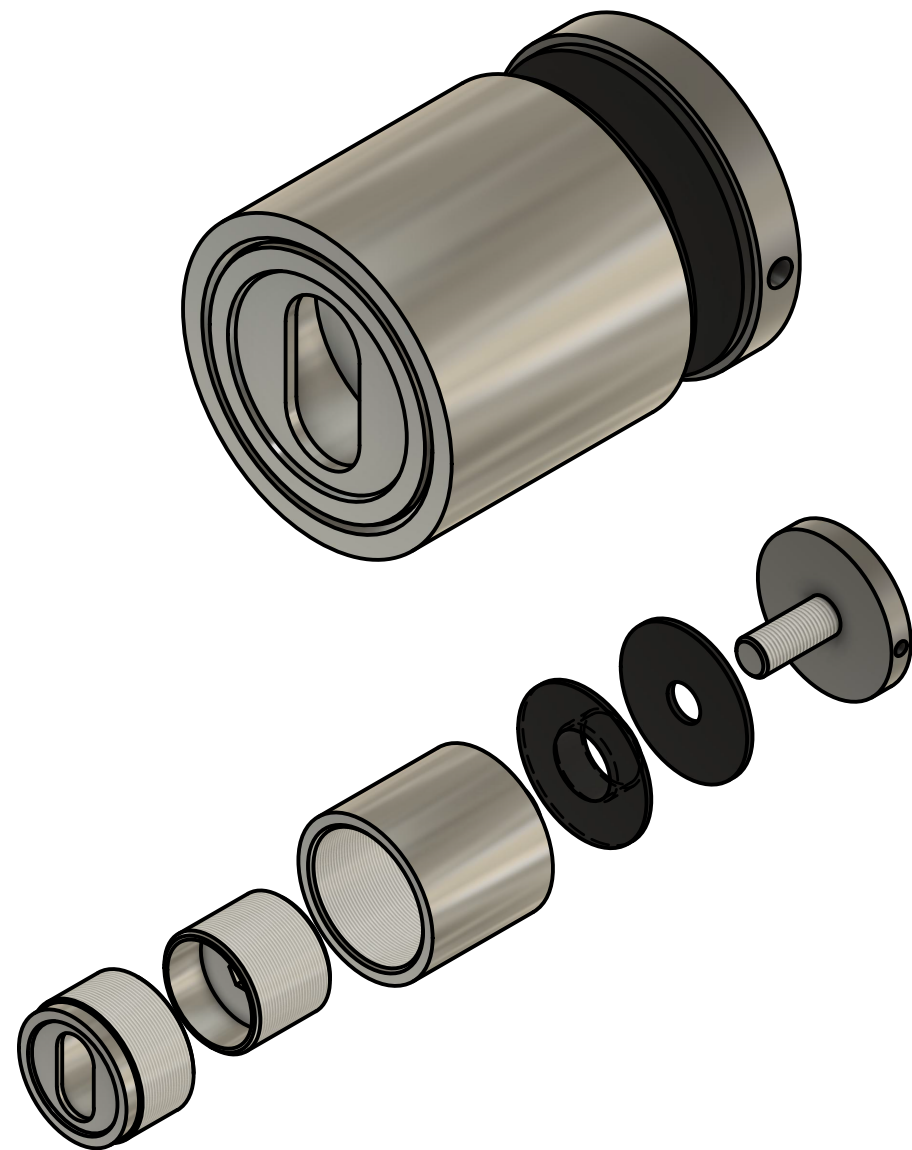


- Type 2205 Stainless Steel
- Ø Hole in Glass
- Adjustable from front of glass



Project:	Railing Products and Mock Ups	
Title:	AS2X134 S10-5045BS	
Description:		
	Scale:	1:1
	Date:	10/30/2019
	Drawn:	
FHC FRAMELESS HARDWARE COMPANY	The Glazing Supply Company EXPERIENCE AND INNOVATION	M MORSE ARCHITECTURAL