

Supports 1/2" to 9/16" Tempered and Laminated Glass

FHC's Innovative Patent Pending "One Seal" 1SGA Dual Purpose Gasket. Now You Can Pre-Load or Roll in the Same Gasket

Designed For Use With FHC's Patent Pending Achieve Shim Set Technology

FHC's Tested and Engineered Profile is 40% Lighter Than Traditional Base Shoes

Field Drilling Base Shoe Just Got Easier With Our Engineered Hollow Profile Design On All Base Shoe Profiles

FHC® ACHIEVE®

FRAMELESS GLASS RAILINGS

FHC A1M Series

1/2" (12 mm) - 9/16" (13.52mm) Glass Railing Base Shoe

- New Innovative Design Maintains Railing Industry Standard 4-1/8" Base Shoe Height
- Compatible With 1/2" Monolithic and 9/16" Laminated Tempered Glass Applications
- New Design - 40% Lighter Than Traditional Base Shoes
- 20' Stock Lengths Drilled or Undrilled
- Designed for Heavy Glass Railing and Windscreen Applications
- Custom Fabrication Services Available
- 6063-T5 Aluminum Alloy
- FHC's Innovative "One Seal" 1SGA Series Gasket Makes Installations Easy. Installers Can Pre-Load Gasket Before Setting Glass and Use the Same Gasket on the Inside to Finish the Installation

CSI DIVISION 05

SECTION
05 7300



SUPPORTS LAMINATED TEMPERED GLASS

OR



SUPPORTS MONOLITHIC TEMPERED GLASS

ACHIEVE INSTALLATION TOOL KIT



Item No. **ACH1K**

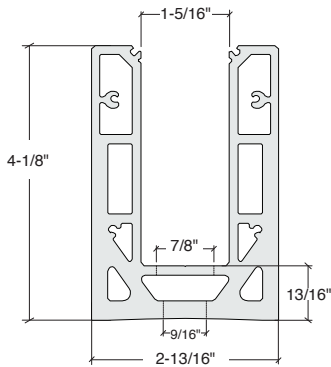
ACHIEVE SHIM SETS



Item No. **ACH2G**
FHC Achieve Glass Rail Shim Set
10 Shim's Sets Per Box

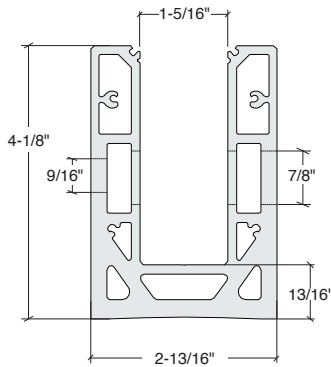
ITEM NO.	DESCRIPTION
A1M20	A1M Achieve Series Aluminum Base Shoe Undrilled 240" Long
A1M20D	A1M Achieve Series Aluminum Base Shoe Bottom Drilled 12" C.T.C. 240" Long
A1M20F	A1M Achieve Series Aluminum Base Shoe Fascia Drilled 12" C.T.C. 240" Long
A1M10	A1M Achieve Series Aluminum Base Shoe Undrilled 120" Long
A1M10D	A1M Achieve Series Aluminum Base Shoe Bottom Drilled 12" C.T.C. 120" Long
A1M10F	A1M Achieve Series Aluminum Base Shoe Fascia Drilled 12" C.T.C. 120" Long

Must ship common carrier.



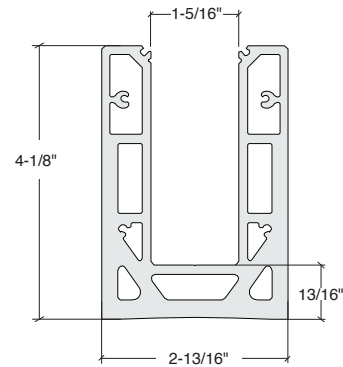
D Profile

Bottom Drilled and Counterbored 12" on Center and 6" From Each End



F Profile

Fascia/Side Drilled and Counterbored 12" On Center and 6" From Each End



Undrilled Profile



For Technical Support Call Toll Free in the U.S.
(888) 295-4531 or Email: railings@fhc-usa.com

EXPERIENCE AND INNOVATION

P.O. Box 1906, South Gate, CA 90280

Toll Free: (888) 295-4531

| Fax: (323) 336-8307

| Web: fhc-usa.com

