

NEW ENGINEERED DESIGN
NOW 40% LIGHTER

Supports 11/16" Laminated Tempered Glass 5/16" x .060 x 5/16"

FHC's Innovative Patent Pending "One Seal" 1SGA Dual Purpose Gasket. Now You Can Pre-Load or Roll in the Same Gasket

Designed For Use With FHC's Patent Pending Achieve Shim Set Technology

Heavy Duty Vertical Wall Design For Taller Custom Windscreen Applications

FHC's Tested and Engineered Profile is 40% Lighter Than Traditional Base Shoes

Field Drilling Base Shoe Just Got Easier With Our Engineered Hollow Profile Design On All Base Shoe Profiles

FHC **ACHIEVE**
FRAMELESS GLASS RAILINGS

FHC A3M Series
11/16" (17.52 mm)
Glass Railing Base Shoe

- New Innovative Design Maintains Railing Industry Standard 4-1/8" Base Shoe Height
- Compatible With 11/16" Tempered Laminated Glass
- New Design - 40% Lighter Than Traditional Base Shoes
- 20' Stock Lengths Drilled or Undrilled
- Designed for Heavy Glass Railing and Windscreen Applications
- Custom Fabrication Services Available
- 6063-T5 Aluminum Alloy
- FHC's Innovative "One Seal" 1SGA Series Gasket Makes Installations Easy. Installers Can Pre-Load Gasket Before Setting Glass and Use the Same Gasket on the Inside to Finish the Installation

CSI DIVISION 05

SECTION
05 7300



SUPPORTS LAMINATED TEMPERED GLASS

OR



SUPPORTS MONOLITHIC TEMPERED GLASS

ITEM NO.	DESCRIPTION
A3M20	A3M Achieve Series Aluminum Base Shoe Undrilled 240" Long
A3M20D	A3M Achieve Series Aluminum Base Shoe Bottom Drilled 12" C.T.C. 240" Long
A3M20F	A3M Achieve Series Aluminum Base Shoe Fascia Drilled 12" C.T.C. 240" Long
A3M10	A3M Achieve Series Aluminum Base Shoe Undrilled 120" Long
A3M10D	A3M Achieve Series Aluminum Base Shoe Bottom Drilled 12" C.T.C. 120" Long
A3M10F	A3M Achieve Series Aluminum Base Shoe Fascia Drilled 12" C.T.C. 120" Long

Must ship common carrier.

ACHIEVE INSTALLATION TOOL KIT

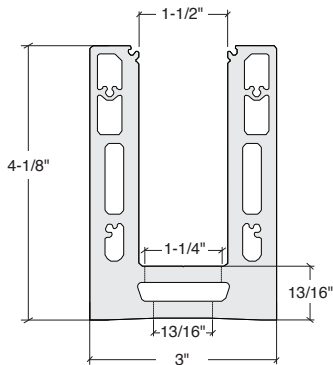


Item No. **ACH1K**

ACHIEVE SHIM SETS

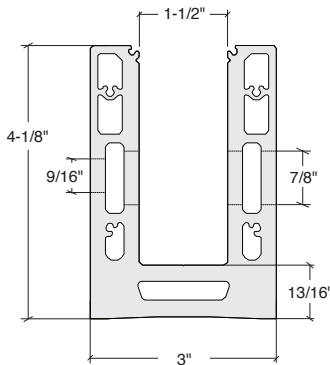


Item No. **ACH2G**
FHC Achieve Glass Rail Shim Set
10 Shim's Sets Per Box



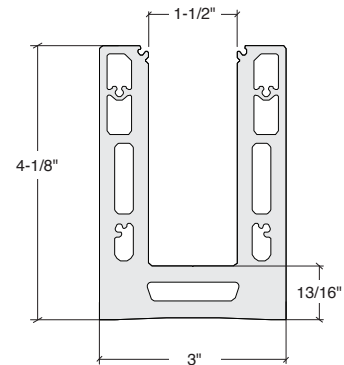
D Profile

Bottom Drilled and Counterbored 12" on Center and 6" From Each End



F Profile

Fascia/Side Drilled and Counterbored 12" On Center and 6" From Each End



Undrilled Profile



For Technical Support Call Toll Free in the U.S. (888) 295-4531 or Email: railings@fhc-usa.com

EXPERIENCE AND INNOVATION

FHC
FRAMELESS HARDWARE COMPANY
THE GLAZING SUPPLY COMPANY
EXPERIENCE AND INNOVATION

P.O. Box 1906, South Gate, CA 90280 Toll Free: (888) 295-4531 | Fax: (323) 336-8307 | Web: fhc-usa.com