

FHC ACHIEVE FRAMELESS GLASS RAILINGS

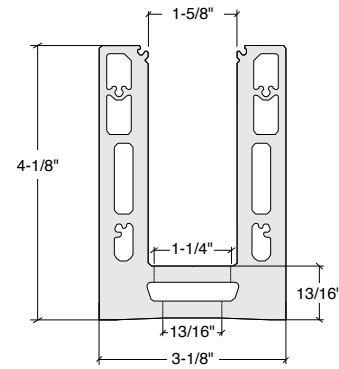
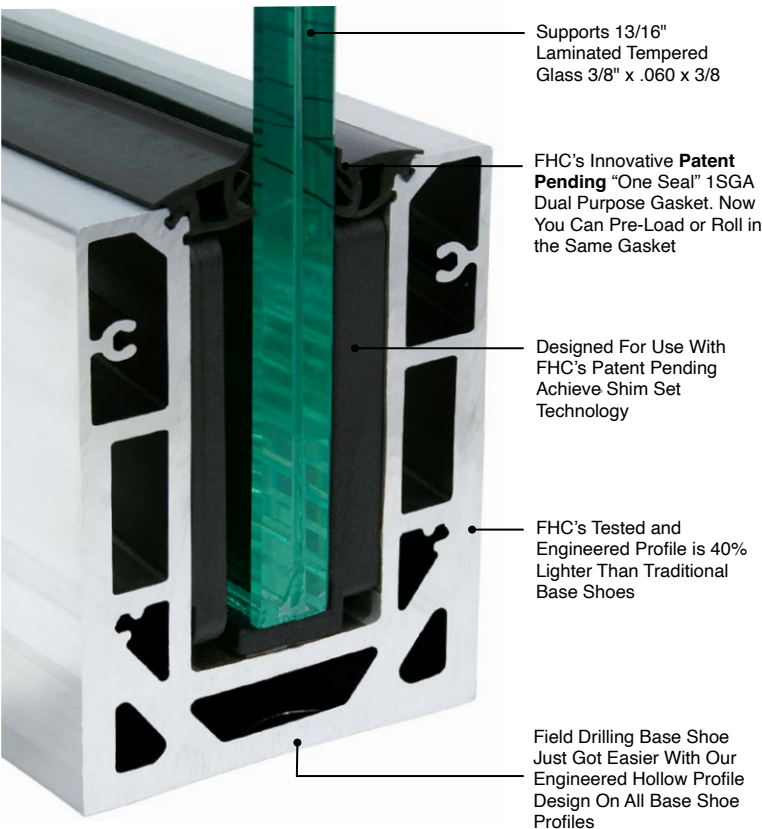


# FHC A5M Series

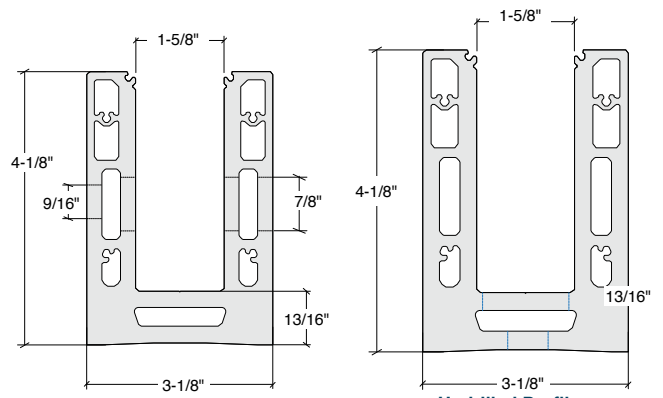
## 13/16" (21.52 mm) Glass Railing Base Shoe

- New Innovative Design Maintains Railing Industry Standard 4-1/8" Base Shoe Height
- Compatible With 13/16" Tempered Laminated Glass
- New Design - 40% Lighter Than Traditional Base Shoes
- 20' Stock Lengths Drilled or Undrilled
- Designed for Heavy Glass Railing and Windscreen Applications

- Custom Fabrication Services Available
- 6063-T5 Aluminum Alloy
- FHC's Innovative "One Seal" 1SGA Series Gasket Makes Installations Easy. Installers Can Pre-Load Gasket Before Setting Glass and Use the Same Gasket on the Inside to Finish the Installation



**D Profile**  
Bottom Drilled and Counterbored 12" on Center and 6" from Each End



**F Profile**  
Fascia/Side Drilled and Counterbored 12" On Center and 6" from Each End

**ACHIEVE INSTALLATION TOOL KIT**



Item No. **ACH1K**

**ACHIEVE SHIM SETS**



Item No. **ACH3G**  
FHC Achieve Glass Rail Shim Set  
10 Shim's Sets Per Box

WITHOUT LOCK ITEM NO.	DESCRIPTION
<b>A5M20</b>	A5M Achieve Series Aluminum Base Shoe Undrilled 240" Long
<b>A5M20D</b>	A5M Achieve Series Aluminum Base Shoe Bottom Drilled 12" C.T.C. 240" Long
<b>A5M20F</b>	A5M Achieve Series Aluminum Base Shoe Fascia Drilled 12" C.T.C. 240" Long
<b>A5M10</b>	A5M Achieve Series Aluminum Base Shoe Undrilled 120" Long
<b>A5M10D</b>	A5M Achieve Series Aluminum Base Shoe Bottom Drilled 12" C.T.C. 120" Long
<b>A5M10F</b>	A5M Achieve Series Aluminum Base Shoe Fascia Drilled 12" C.T.C. 120" Long

Must Ship common carrier.

FHC ACHIEVE®  
One Seal Gasket

ITEM NO.	ROLL LENGTH
<b>1SGA250</b>	250'
<b>1SGA500</b>	500'

Minimum order: 1 Roll.



SUPPORTS LAMINATED TEMPERED GLASS

OR



SUPPORTS MONOLITHIC TEMPERED GLASS



For Technical Support  
Call Toll Free in the U.S.  
**(888) 295-4531**

**EXPERIENCE AND INNOVATION**

