



**NEW  
ENGINEERED  
DESIGN**  
NOW 40% LIGHTER

Supports 13/16" Laminated Tempered Glass 3/8" x .060 x 3/8"

FHC's Innovative Patent Pending "One Seal" 1SGA Dual Purpose Gasket. Now You Can Pre-Load or Roll in the Same Gasket

Designed For Use With FHC's Patent Pending Achieve Shim Set Technology

Heavy Duty Vertical Wall Design For Taller Custom Windscreen Applications

FHC's Tested and Engineered Profile is 40% Lighter Than Traditional Base Shoes

Field Drilling Base Shoe Just Got Easier With Our Engineered Hollow Profile Design On All Base Shoe Profiles

# FHC<sup>®</sup> ACHIEVE<sup>®</sup>

FRAMELESS GLASS RAILINGS

## FHC A5M Series 13/16" (21.52 mm) Glass Railing Base Shoe

- New Innovative Design Maintains Railing Industry Standard 4-1/8" Base Shoe Height
- Compatible With 13/16" Tempered Laminated Glass
- New Design - 40% Lighter Than Traditional Base Shoes
- 20' Stock Lengths Drilled or Undrilled
- Designed for Heavy Glass Railing and Windscreen Applications
- Custom Fabrication Services Available
- 6063-T5 Aluminum Alloy
- FHC's Innovative "One Seal" 1SGA Series Gasket Makes Installations Easy. Installers Can Pre-Load Gasket Before Setting Glass and Use the Same Gasket on the Inside to Finish the Installation

CSI DIVISION 05

SECTION  
**05 7300**



SUPPORTS LAMINATED TEMPERED GLASS

OR



SUPPORTS MONOLITHIC TEMPERED GLASS

ITEM NO.	DESCRIPTION
A5M20	A5M Achieve Series Aluminum Base Shoe Undrilled 240" Long
A5M20D	A5M Achieve Series Aluminum Base Shoe Bottom Drilled 12" C.T.C. 240" Long
A5M20F	A5M Achieve Series Aluminum Base Shoe Fascia Drilled 12" C.T.C. 240" Long
A5M10	A5M Achieve Series Aluminum Base Shoe Undrilled 120" Long
A5M10D	A5M Achieve Series Aluminum Base Shoe Bottom Drilled 12" C.T.C. 120" Long
A5M10F	A5M Achieve Series Aluminum Base Shoe Fascia Drilled 12" C.T.C. 120" Long

Must ship common carrier.

### ACHIEVE INSTALLATION TOOL KIT

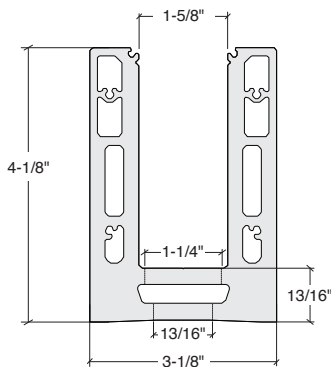


Item No. **ACH1K**

### ACHIEVE SHIM SETS

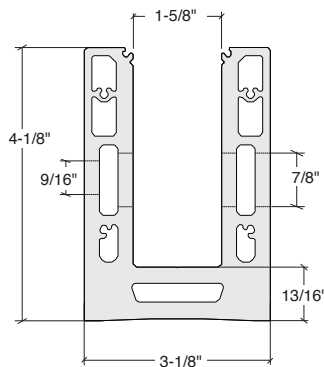


Item No. **ACH3G**  
FHC Achieve Glass Rail Shim Set  
10 Shim's Sets Per Box



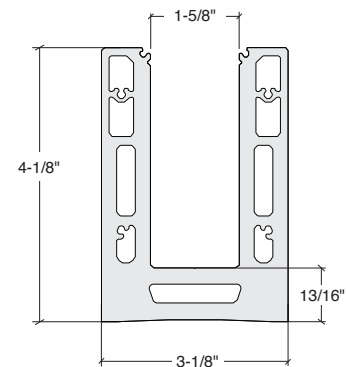
**D Profile**

Bottom Drilled and Counterbored 12" on Center and 6" from Each End



**F Profile**

Fascia/Side Drilled and Counterbored 12" On Center and 6" from Each End



**Undrilled Profile**



For Technical Support Call Toll Free in the U.S.  
(888) 295-4531 or Email: [railings@fhc-usa.com](mailto:railings@fhc-usa.com)

### EXPERIENCE AND INNOVATION

P.O. Box 1906, South Gate, CA 90280

Toll Free: (888) 295-4531

| Fax: (323) 336-8307

| Web: [fhc-usa.com](http://fhc-usa.com)

