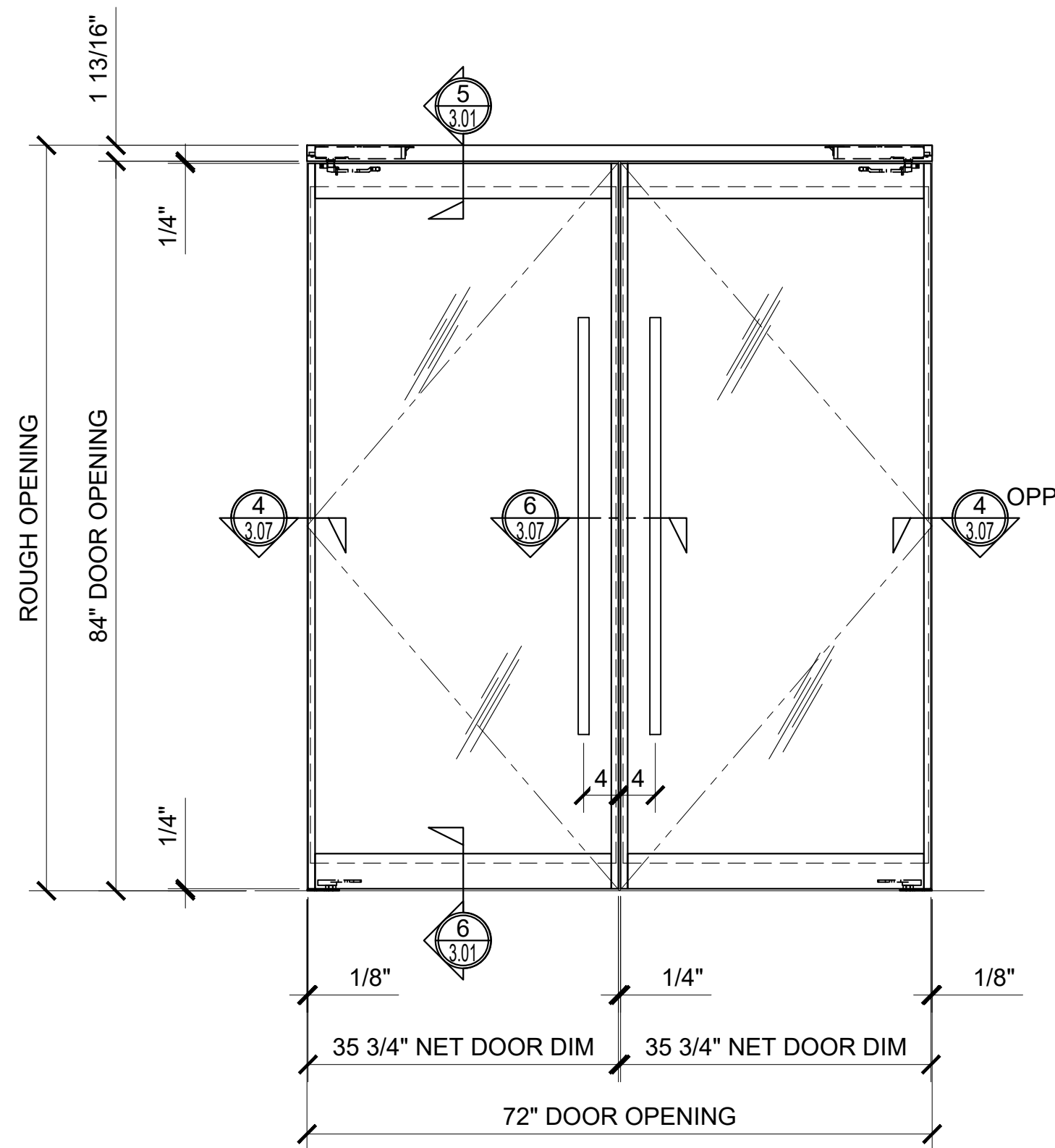


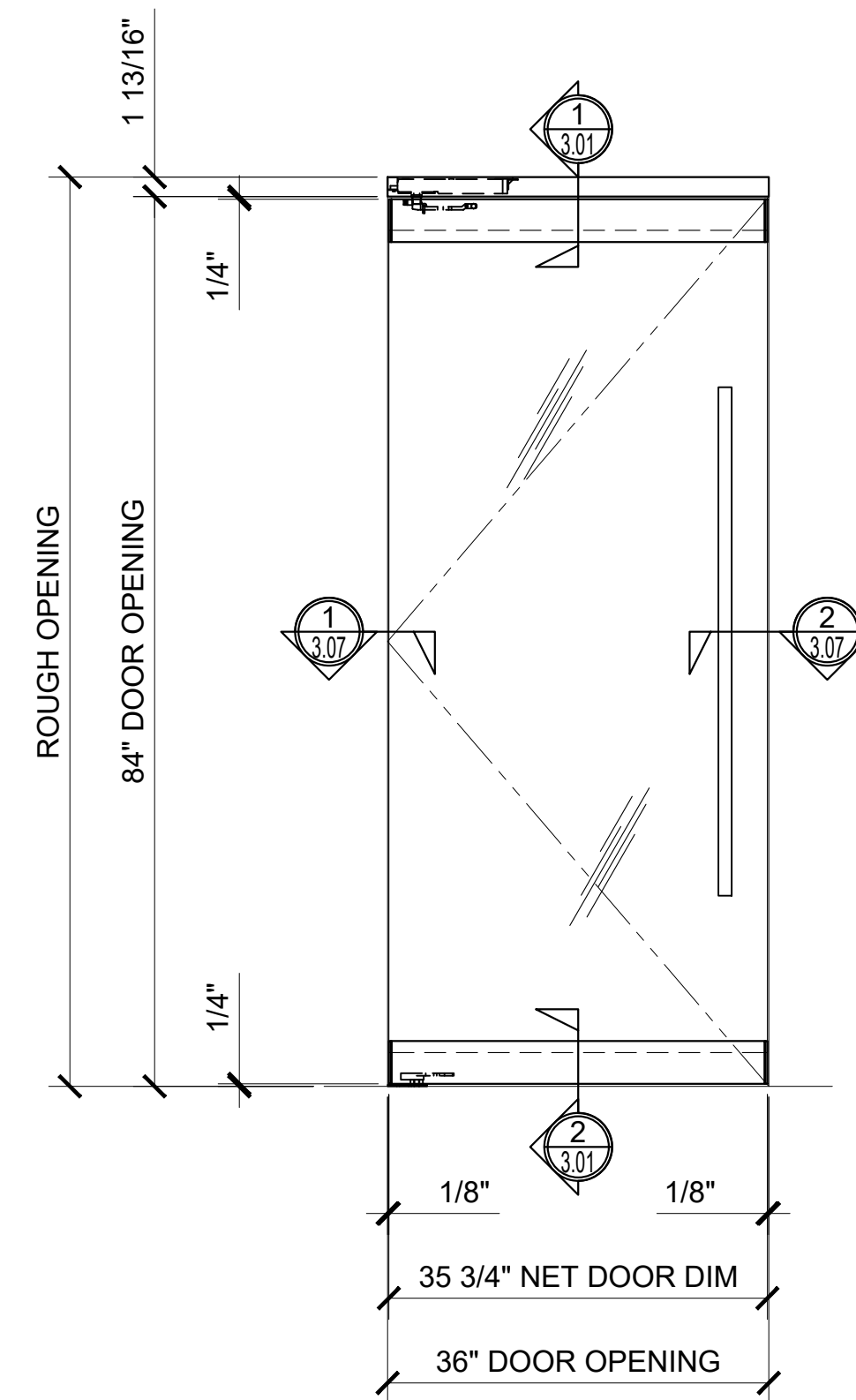
**① ELEVATION**

ARCH REF: NONE 3/4"=1'-0"



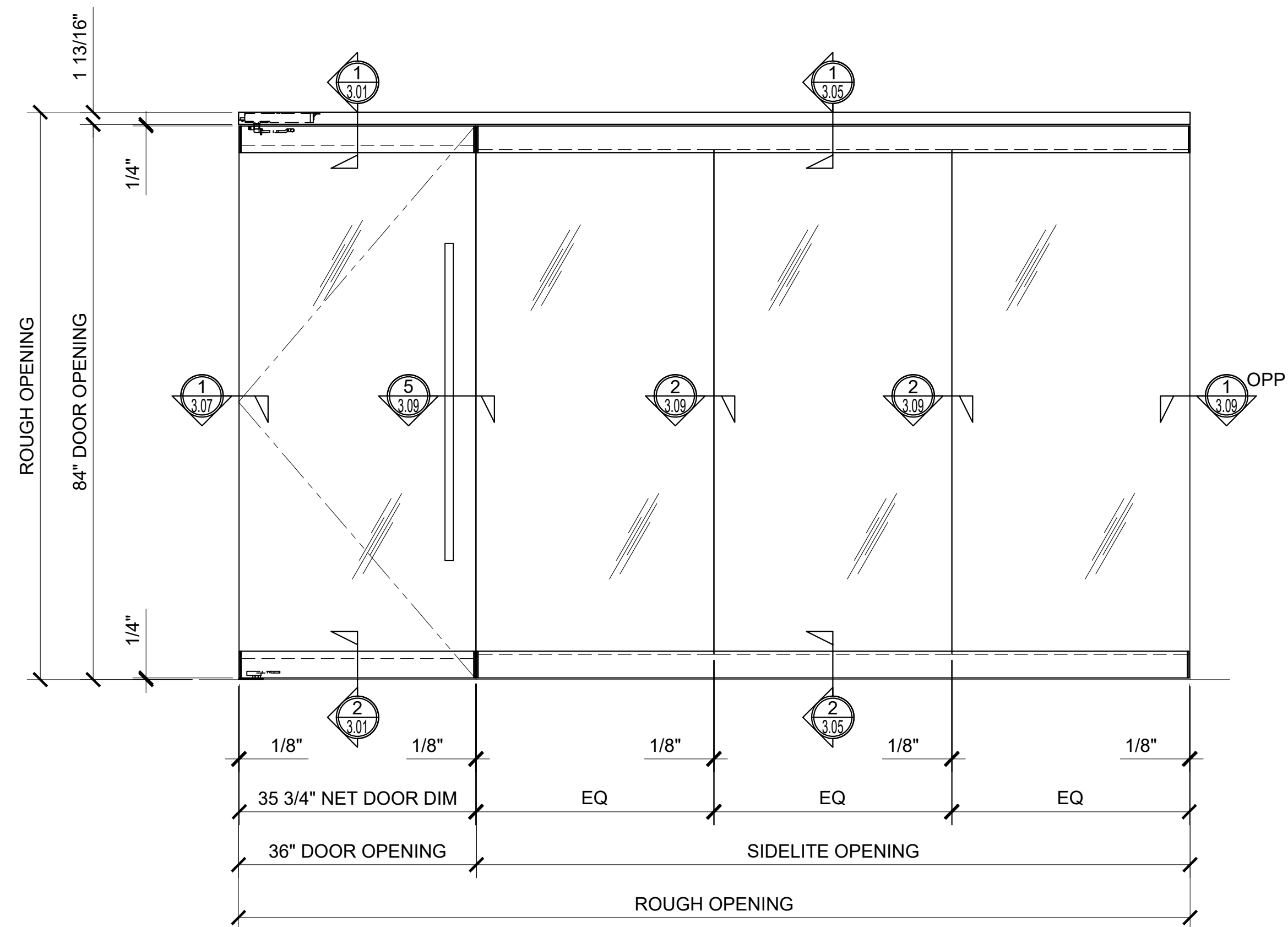
**② ELEVATION**

ARCH REF: NONE 3/4"=1'-0"



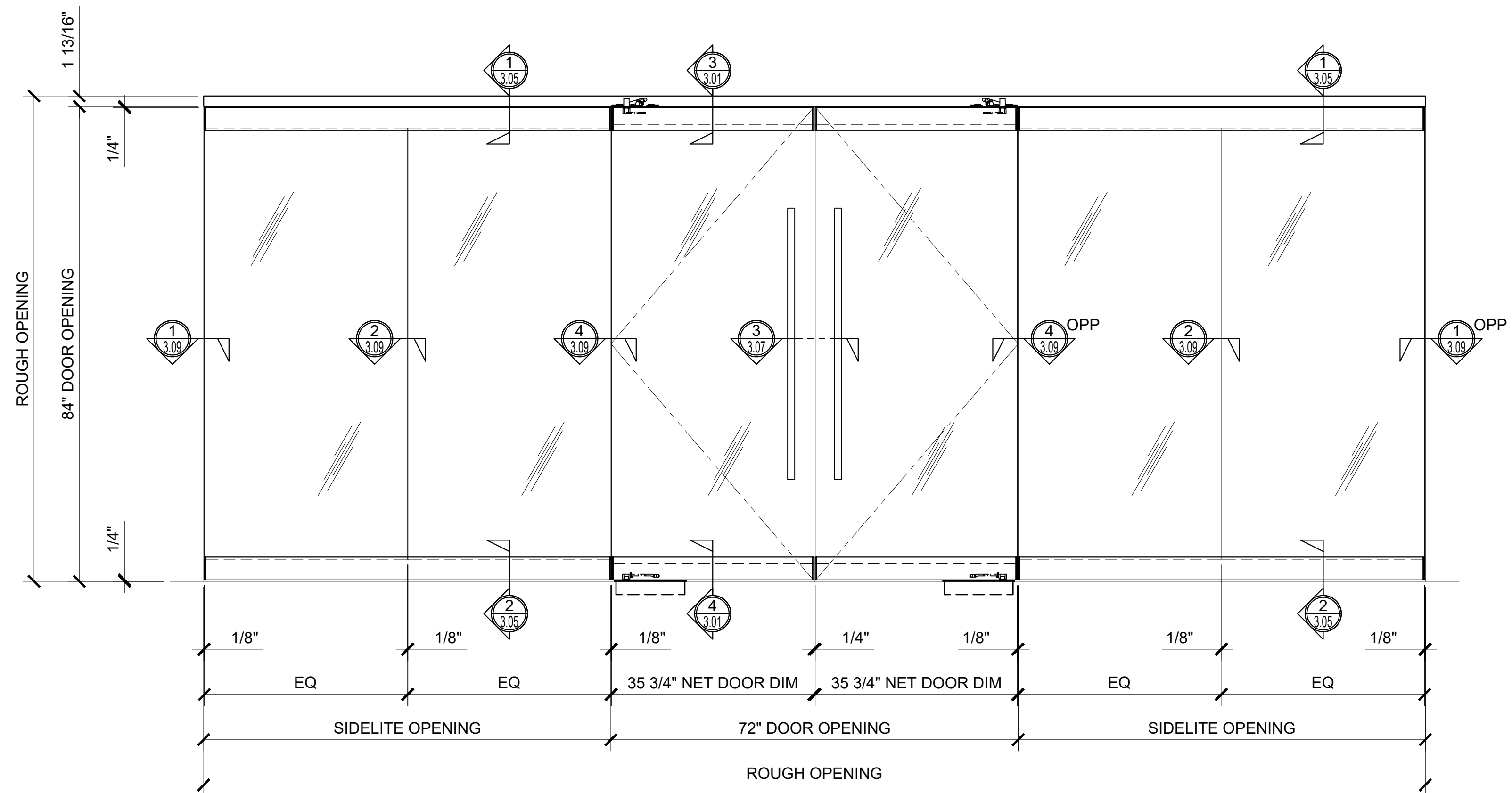
**③ ELEVATION**

ARCH REF: NONE 3/4"=1'-0"



**④ ELEVATION**

ARCH REF: NONE 3/4"=1'-0"



**⑤ ELEVATION**

ARCH REF: NONE 3/4"=1'-0"

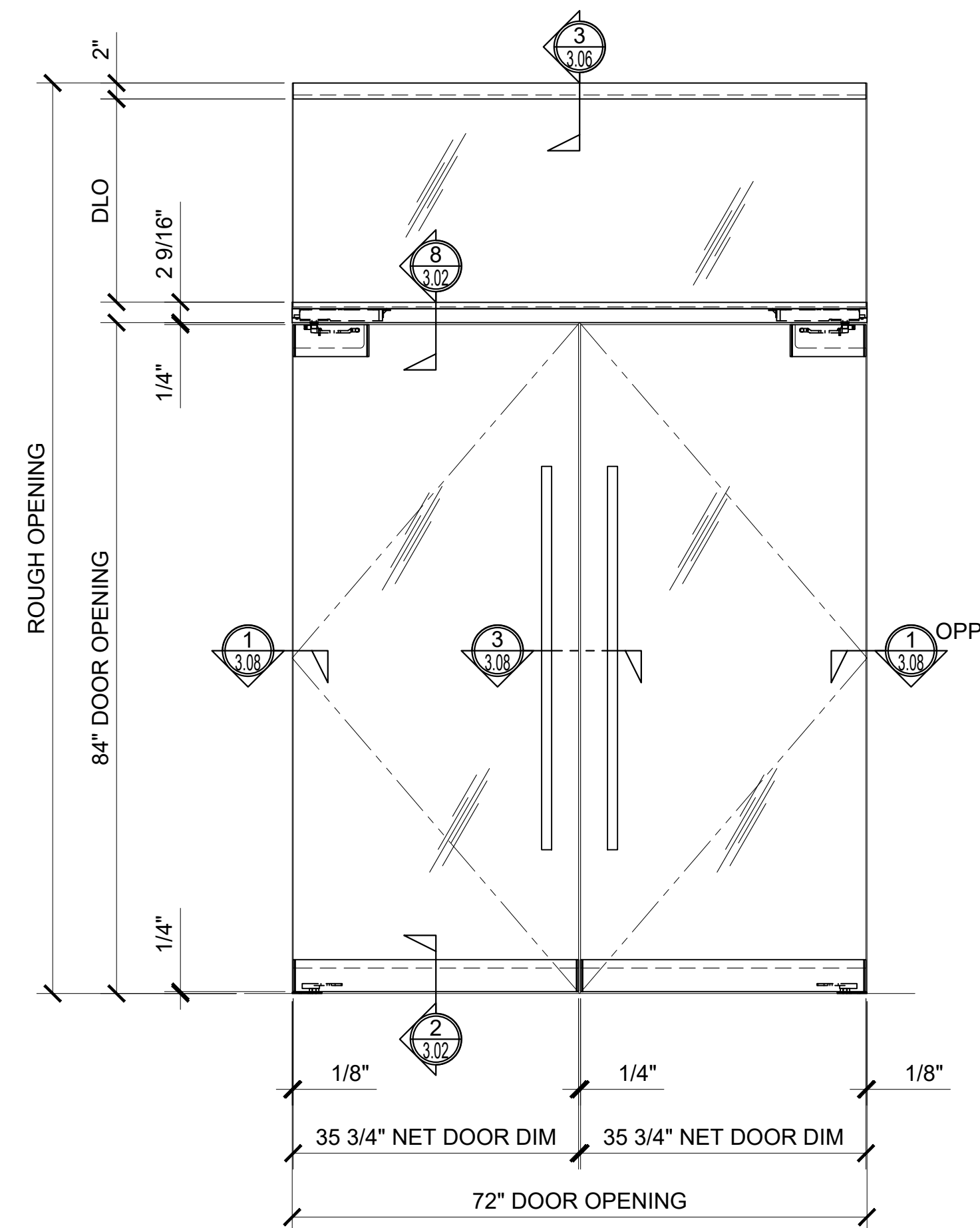
Architect: \_\_\_\_\_  
 Phone: \_\_\_\_\_  
 Fax: \_\_\_\_\_  
 Contact: \_\_\_\_\_

Job Name: \_\_\_\_\_  
 Phone: \_\_\_\_\_  
 Fax: \_\_\_\_\_  
 Contact: \_\_\_\_\_

Customer: \_\_\_\_\_  
 Phone: \_\_\_\_\_  
 Fax: \_\_\_\_\_  
 Contact: \_\_\_\_\_

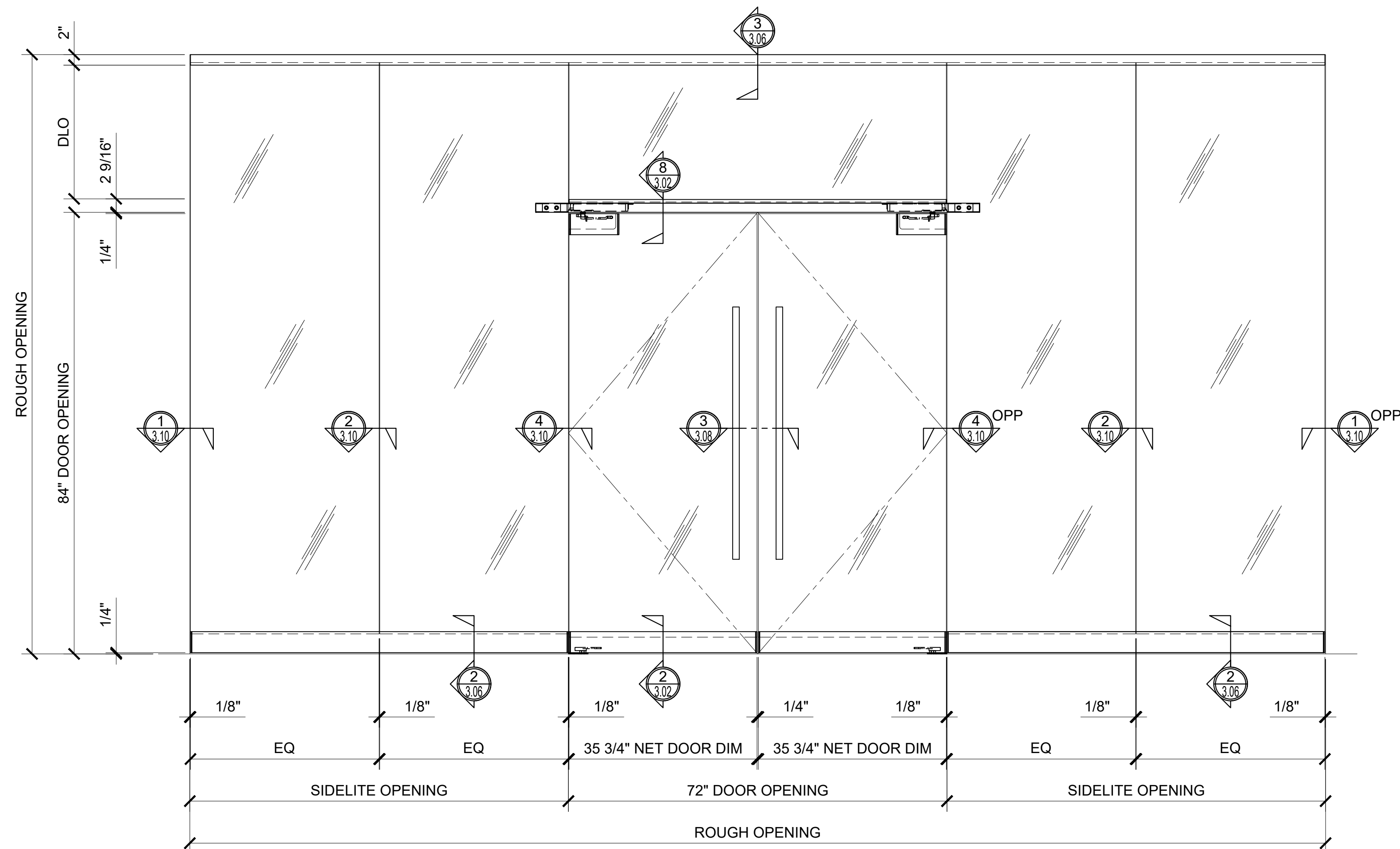
REV#	DATE	DRAWN BY
0	03/26/20	AAD
1		
2		
3		
4		
5		
6		

Drawn By: AAD  
 Checked By: PM  
 Date: 00/00/19  
 Scale: AS NOTED  
 Project #: 000000



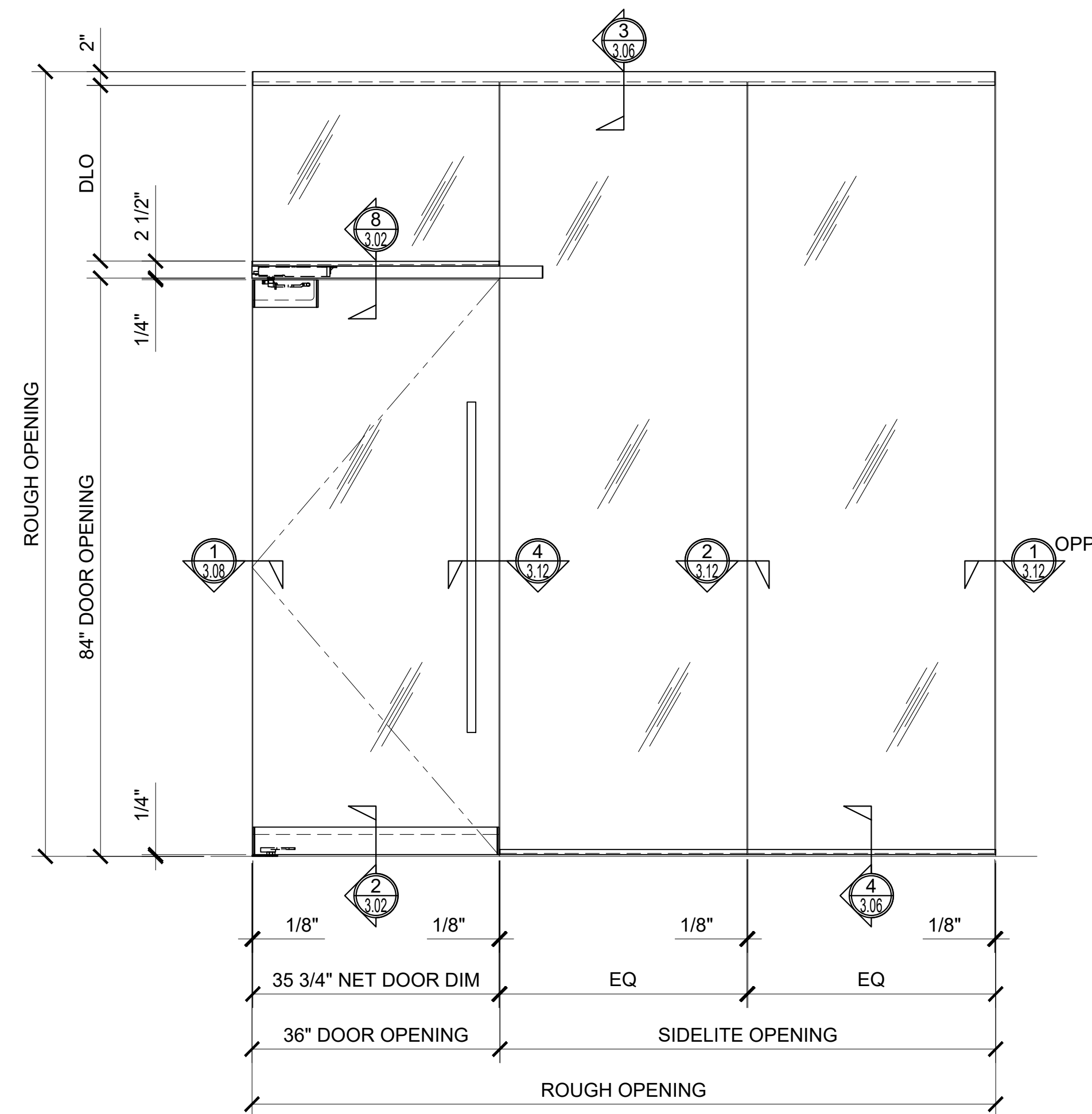
**1 ELEVATION**

ARCH REF: NONE 3/4"=1'-0"



**2 ELEVATION**

ARCH REF: NONE 3/4"=1'-0"



**3 ELEVATION**

ARCH REF: NONE 3/4"=1'-0"

Architect: \_\_\_\_\_  
 Phone: \_\_\_\_\_  
 Fax: \_\_\_\_\_  
 Contact: \_\_\_\_\_

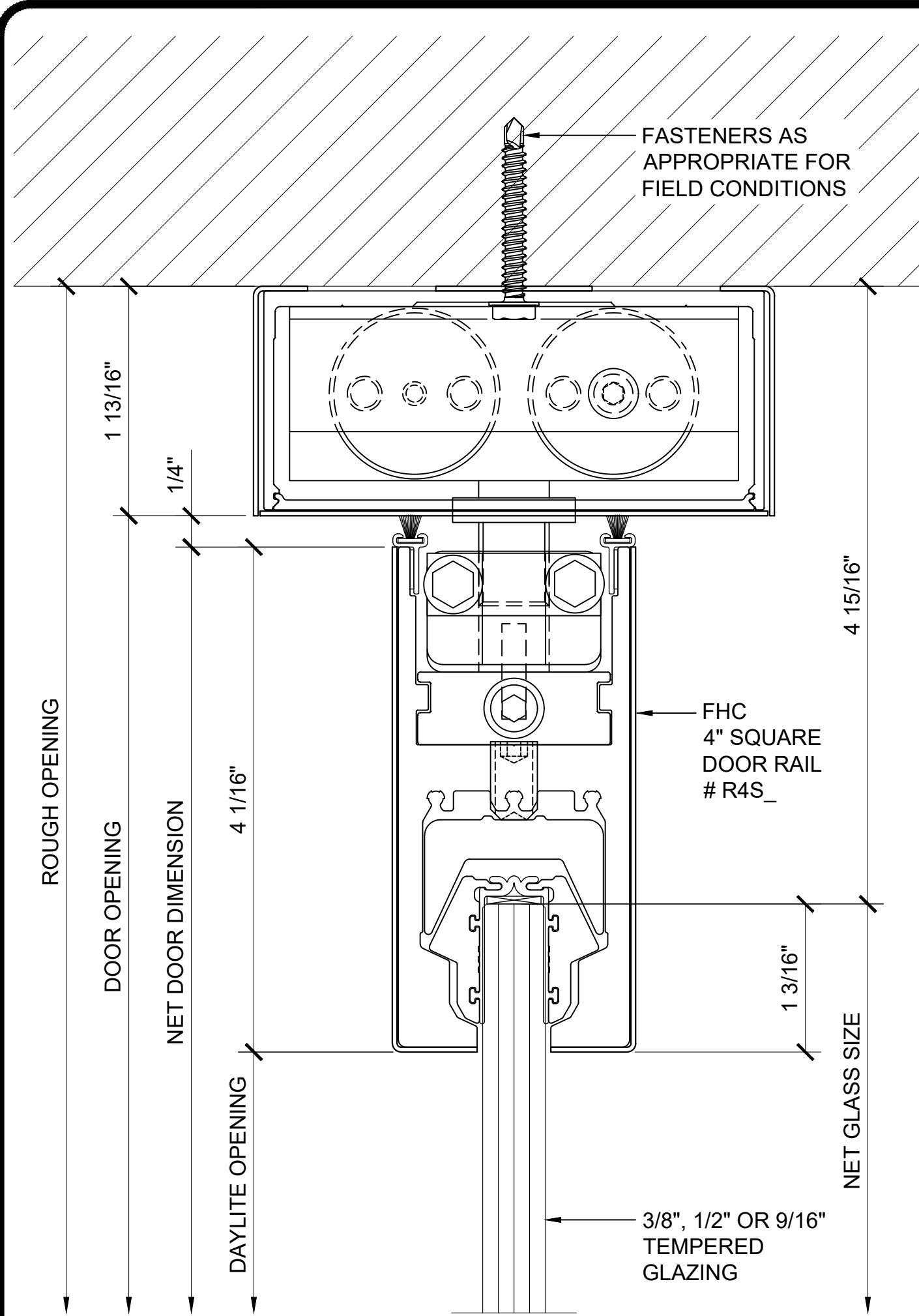
Job Name: \_\_\_\_\_  
 Phone: \_\_\_\_\_  
 Fax: \_\_\_\_\_  
 Contact: \_\_\_\_\_

Customer: \_\_\_\_\_  
 Phone: \_\_\_\_\_  
 Fax: \_\_\_\_\_  
 Contact: \_\_\_\_\_

REV#	DATE	DRAWN BY
0	03/26/20	AAD
1		
2		
3		
4		
5		
6		

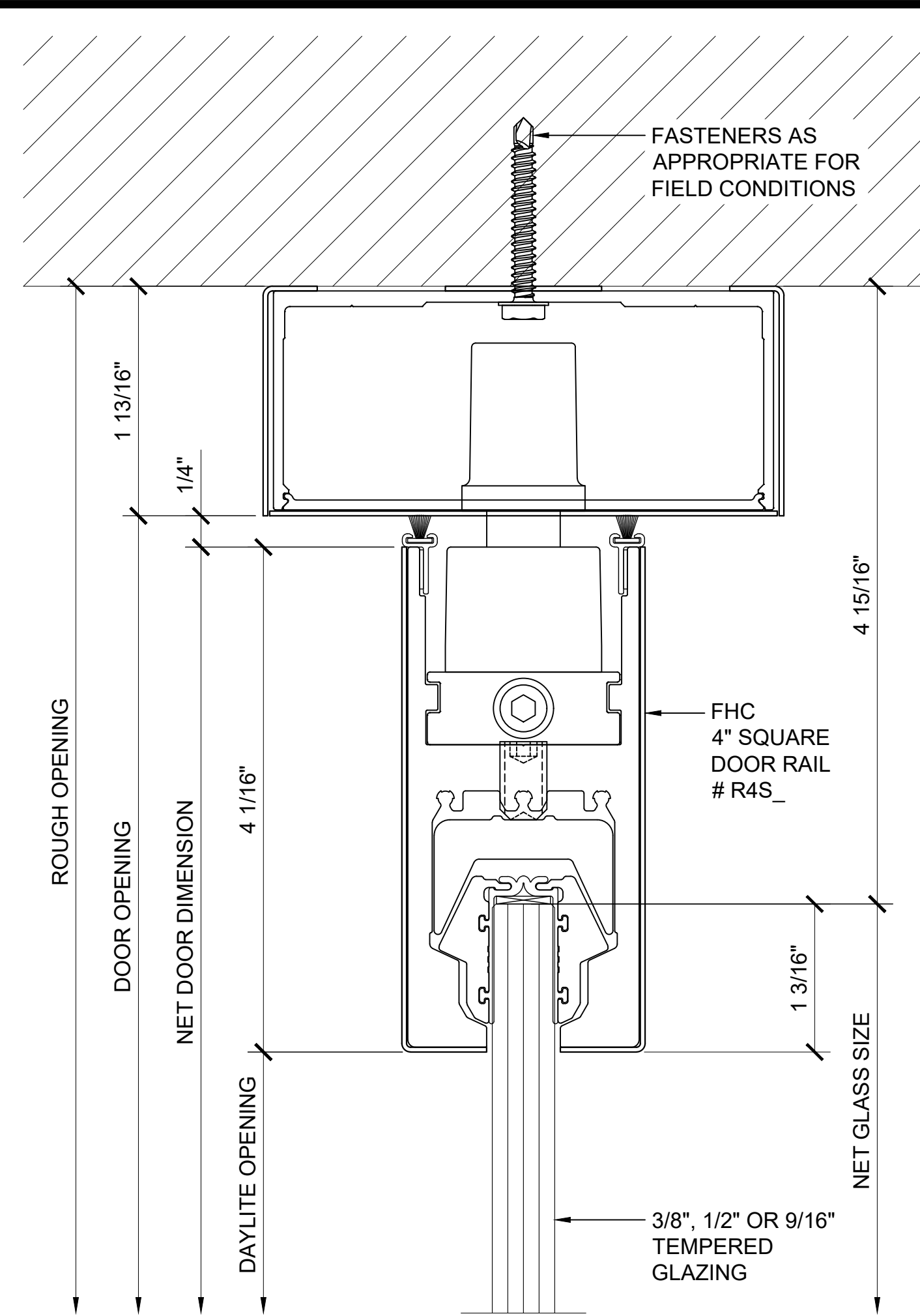
Drawn By: AAD  
 Checked By: PM  
 Date: 00/00/19  
 Scale: AS NOTED  
 Project #: 000000

Sheet No.



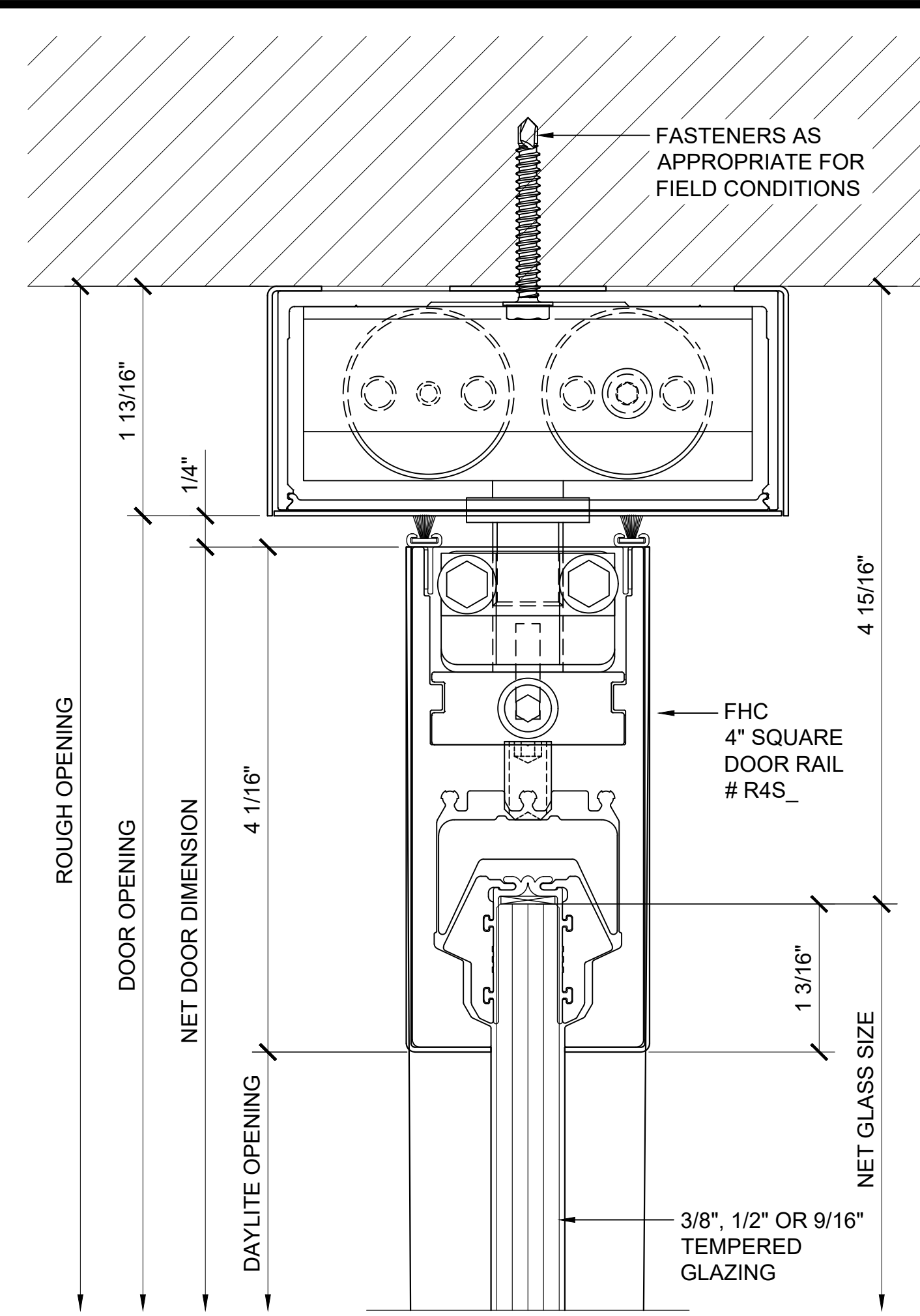
**1 HEAD DETAIL**

ARCH REF: 1'-0"=1'-0"



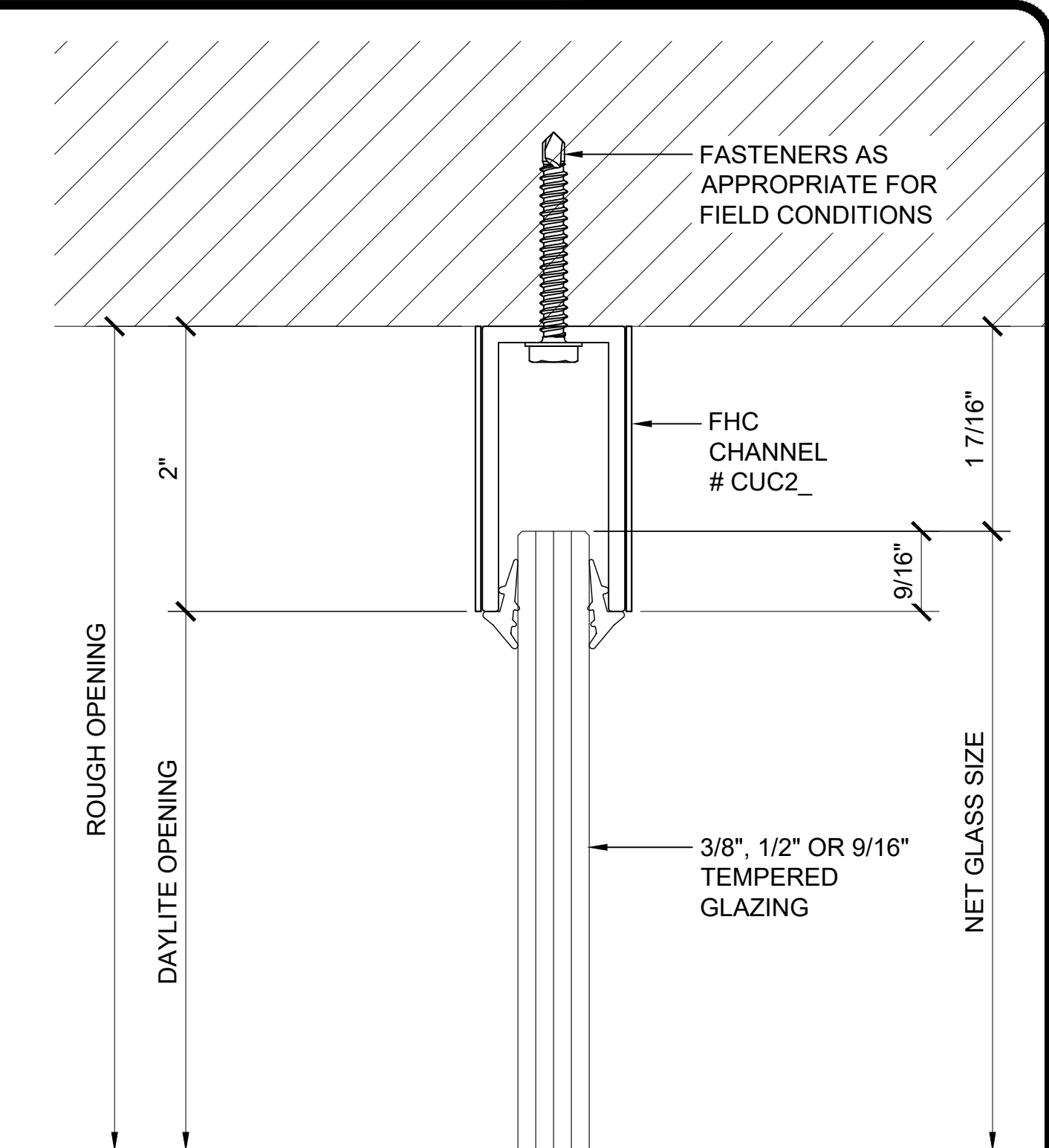
**3 HEAD DETAIL**

ARCH REF: 1'-0"=1'-0"



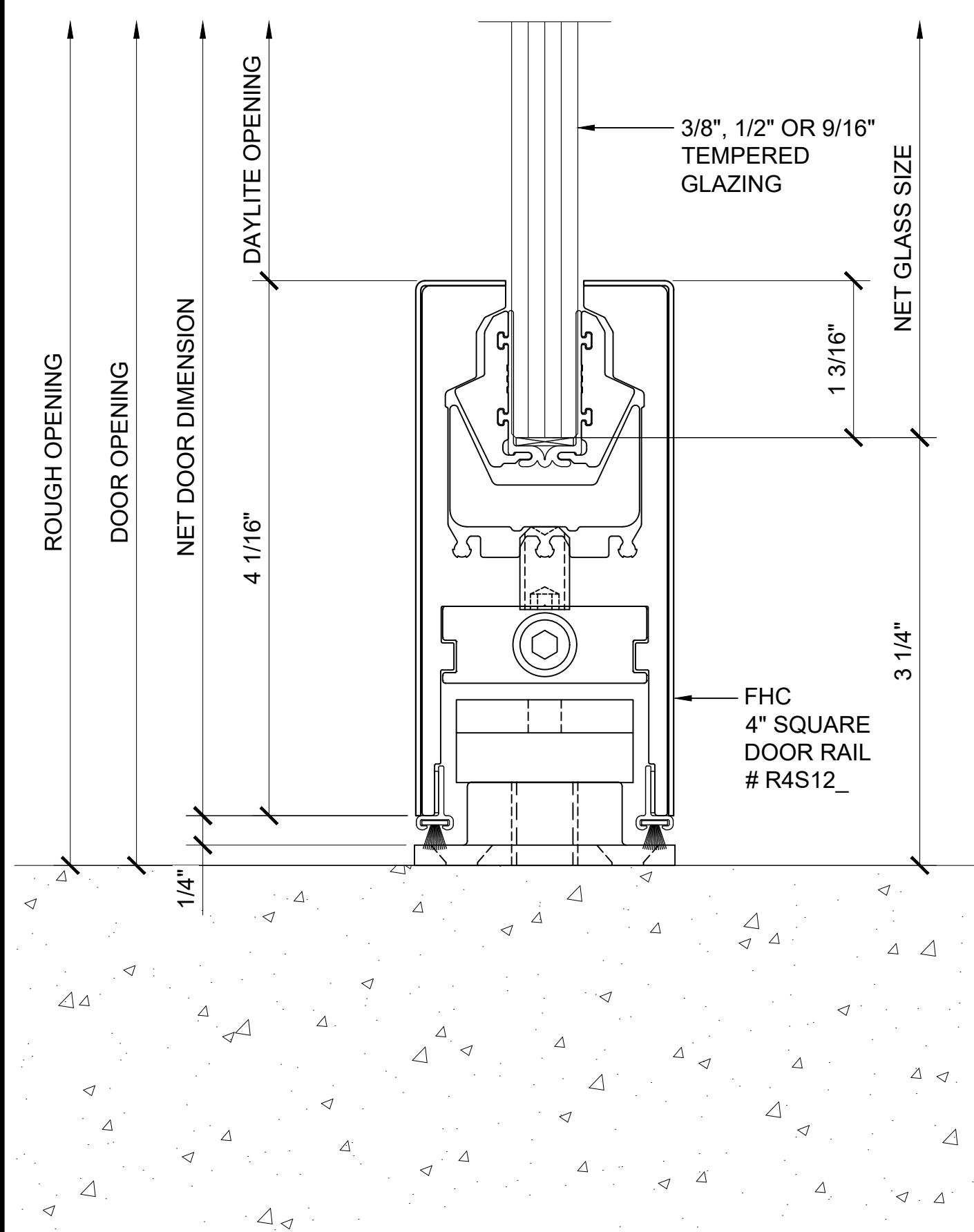
**5 HEAD DETAIL W/ STILE**

ARCH REF: 1'-0"=1'-0"



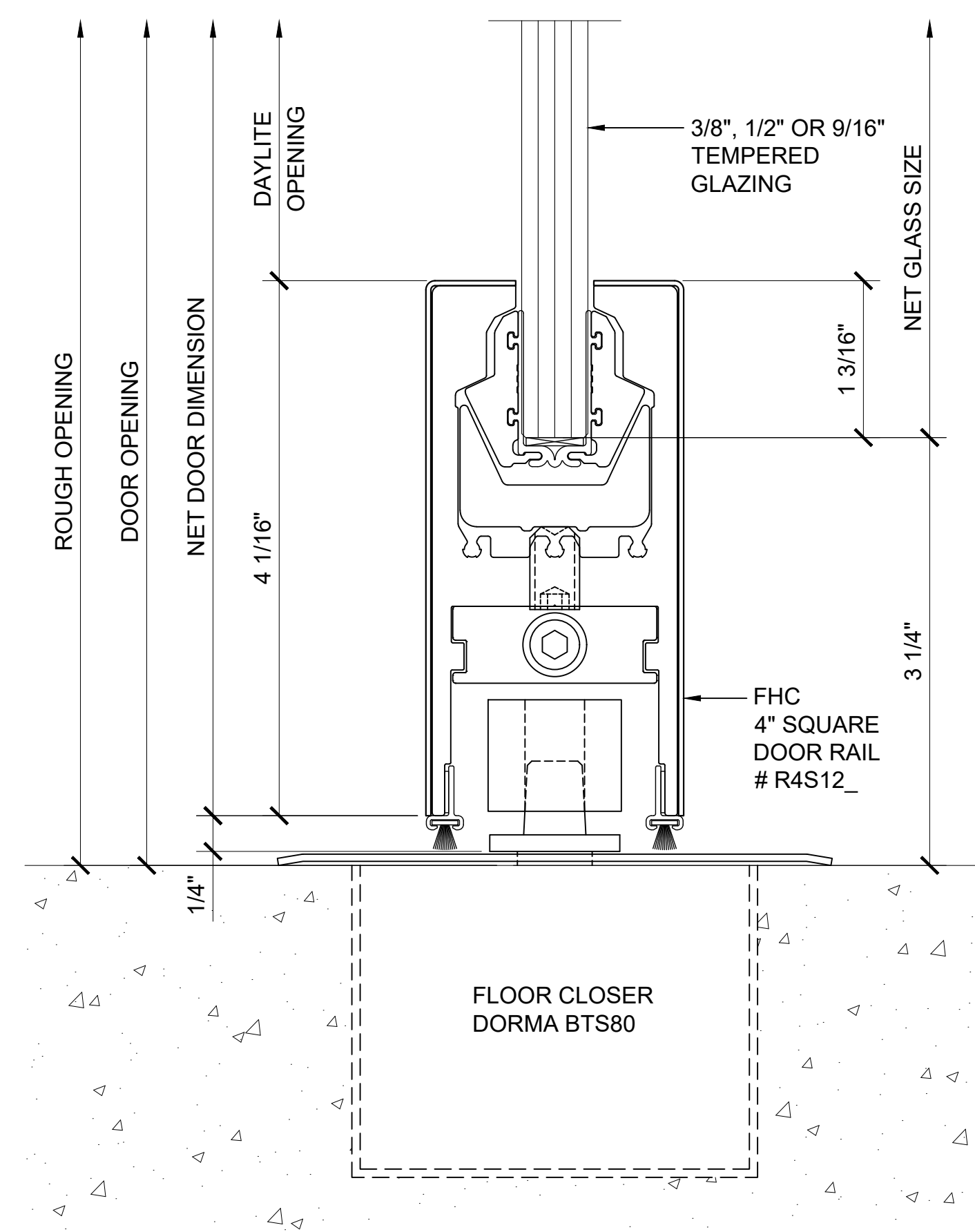
**7 HEAD DETAIL**

ARCH REF: 1'-0"=1'-0"



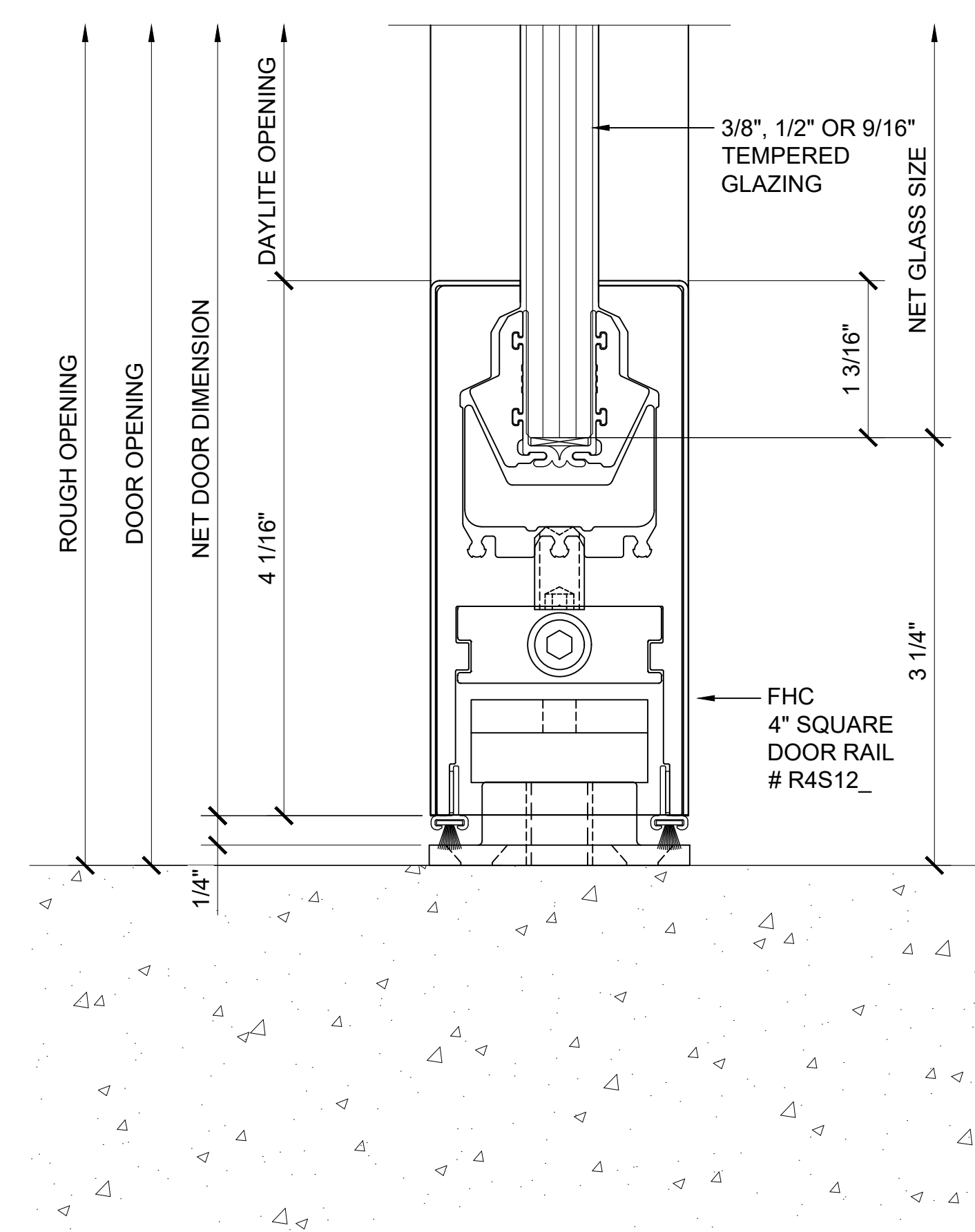
**2 SILL DETAIL**

ARCH REF: 1'-0"=1'-0"



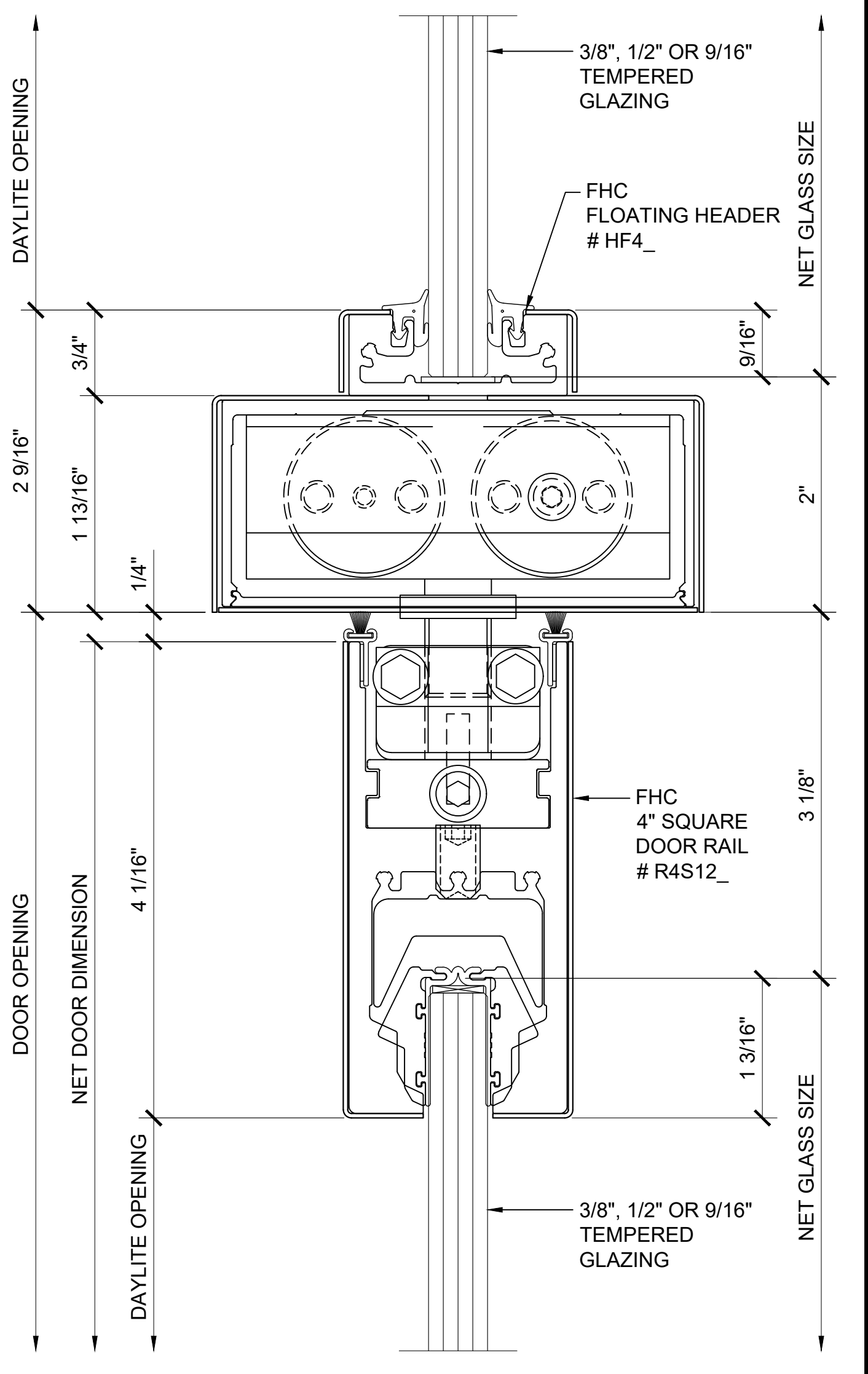
**4 SILL DETAIL**

ARCH REF: 1'-0"=1'-0"



**6 SILL DETAIL W/ STILE**

ARCH REF: 1'-0"=1'-0"



**8 TRANSOM DETAIL**

ARCH REF: 1'-0"=1'-0"

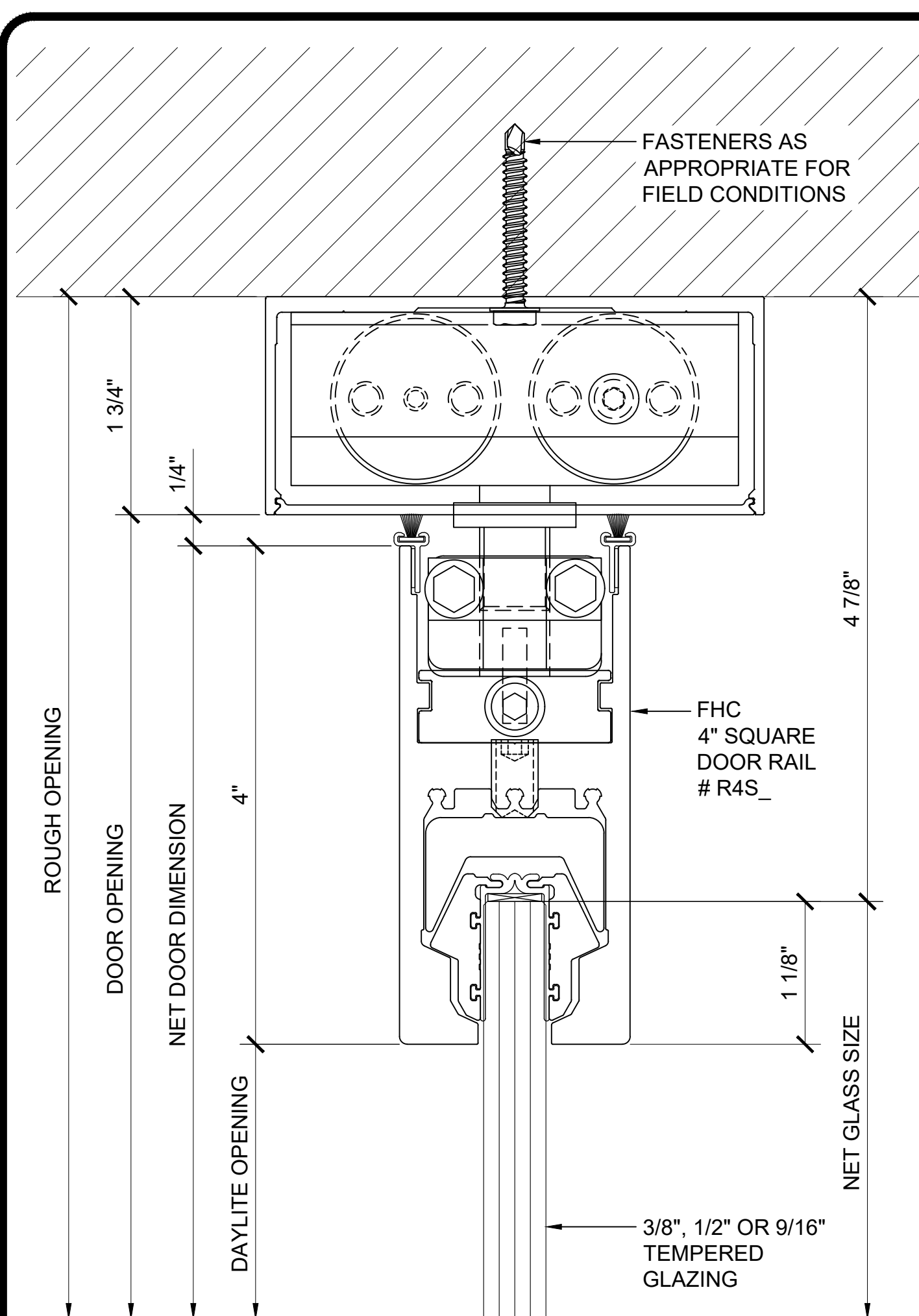
Architect: \_\_\_\_\_  
 Phone: \_\_\_\_\_  
 Fax: \_\_\_\_\_  
 Contact: \_\_\_\_\_

Job Name: \_\_\_\_\_  
 Phone: \_\_\_\_\_  
 Fax: \_\_\_\_\_  
 Contact: \_\_\_\_\_

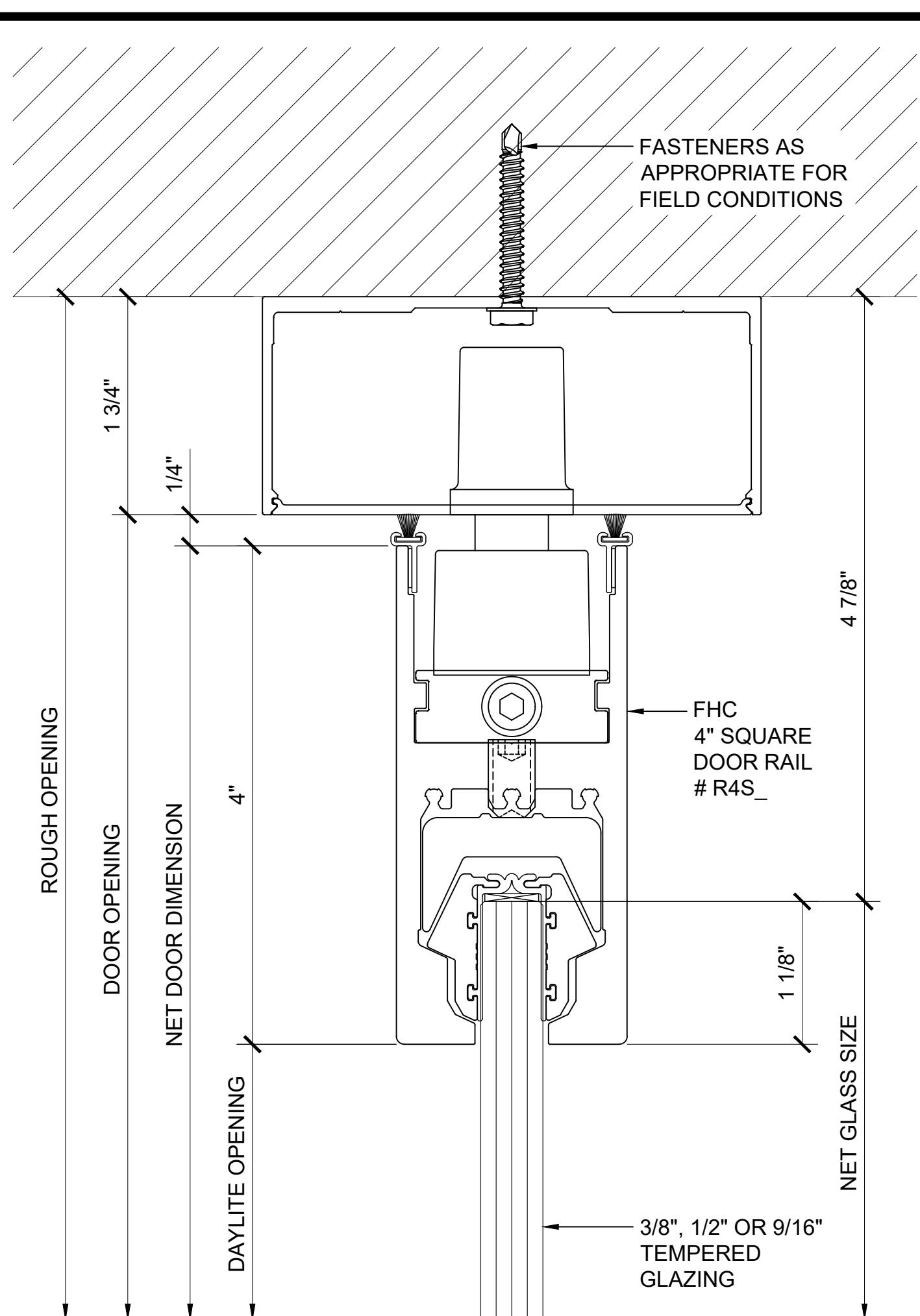
Customer: \_\_\_\_\_  
 Phone: \_\_\_\_\_  
 Fax: \_\_\_\_\_  
 Contact: \_\_\_\_\_

REV#	DATE	DRAWN BY
0	03/28/20	AAD
1		
2		
3		
4		
5		
6		

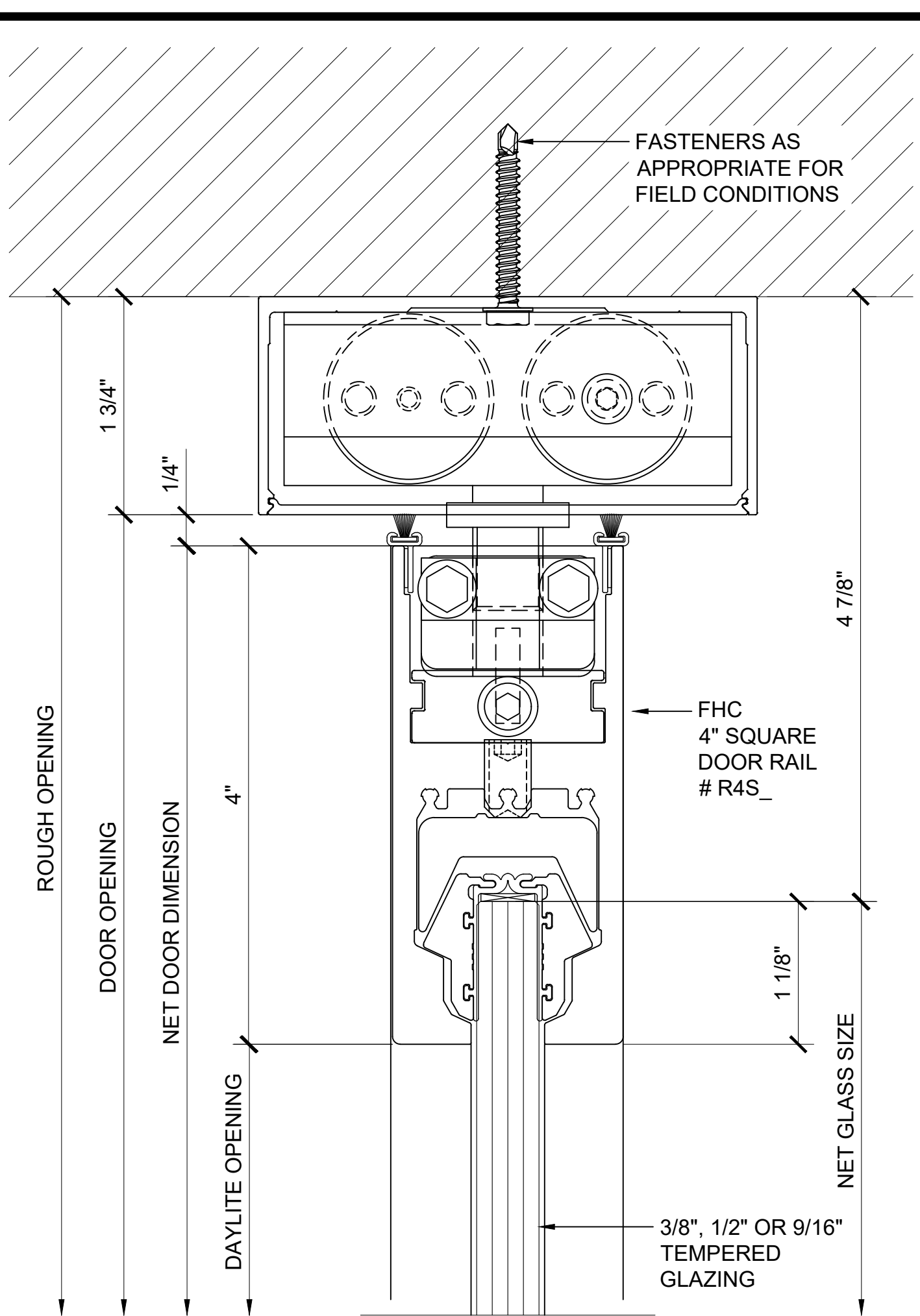
Drawn By: AAD  
 Checked By: PM  
 Date: 00/00/19  
 Scale: AS NOTED  
 Project #: 000000



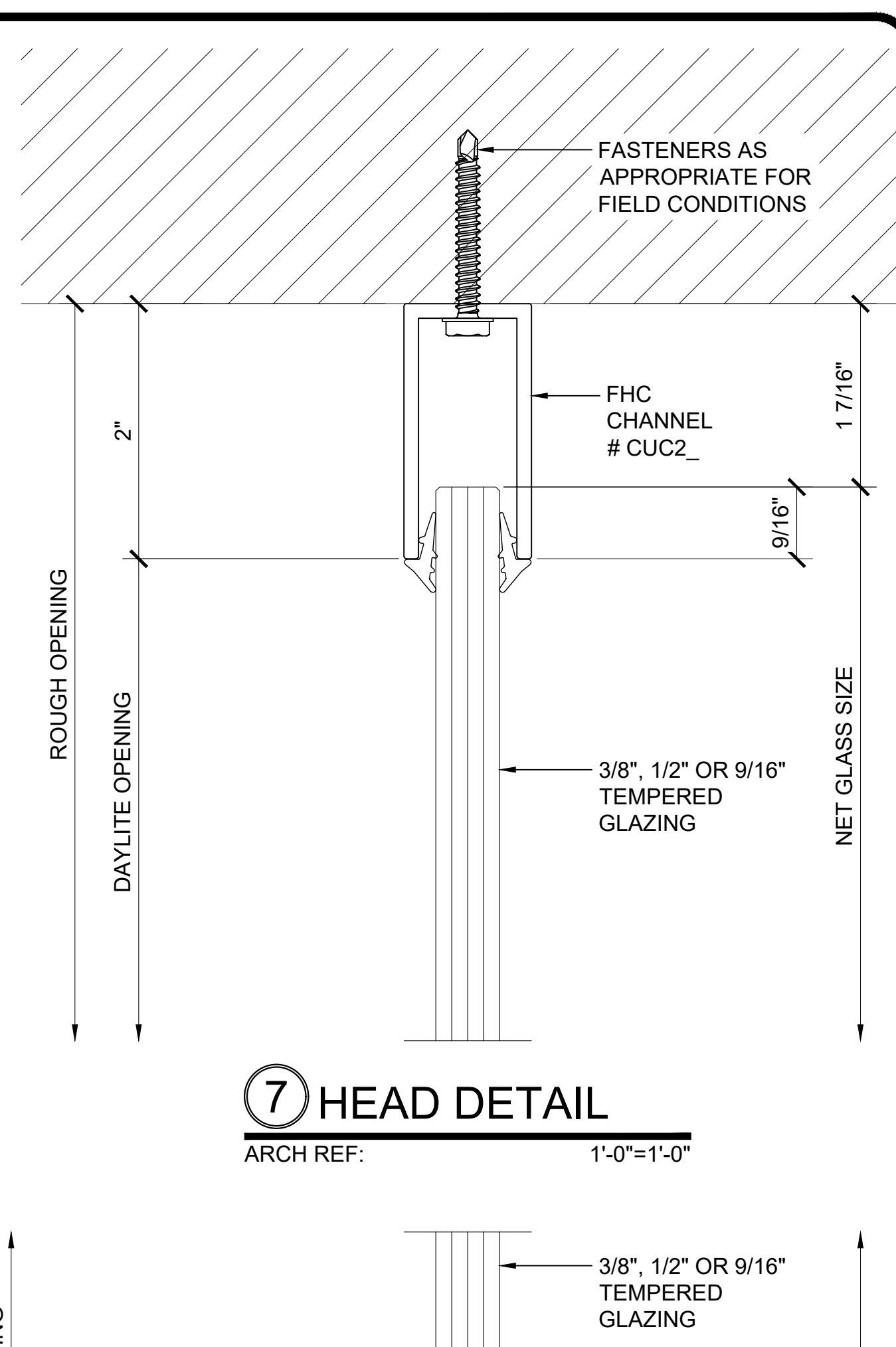
**1 HEAD DETAIL**  
ARCH REF: 1'-0"=1'-0"



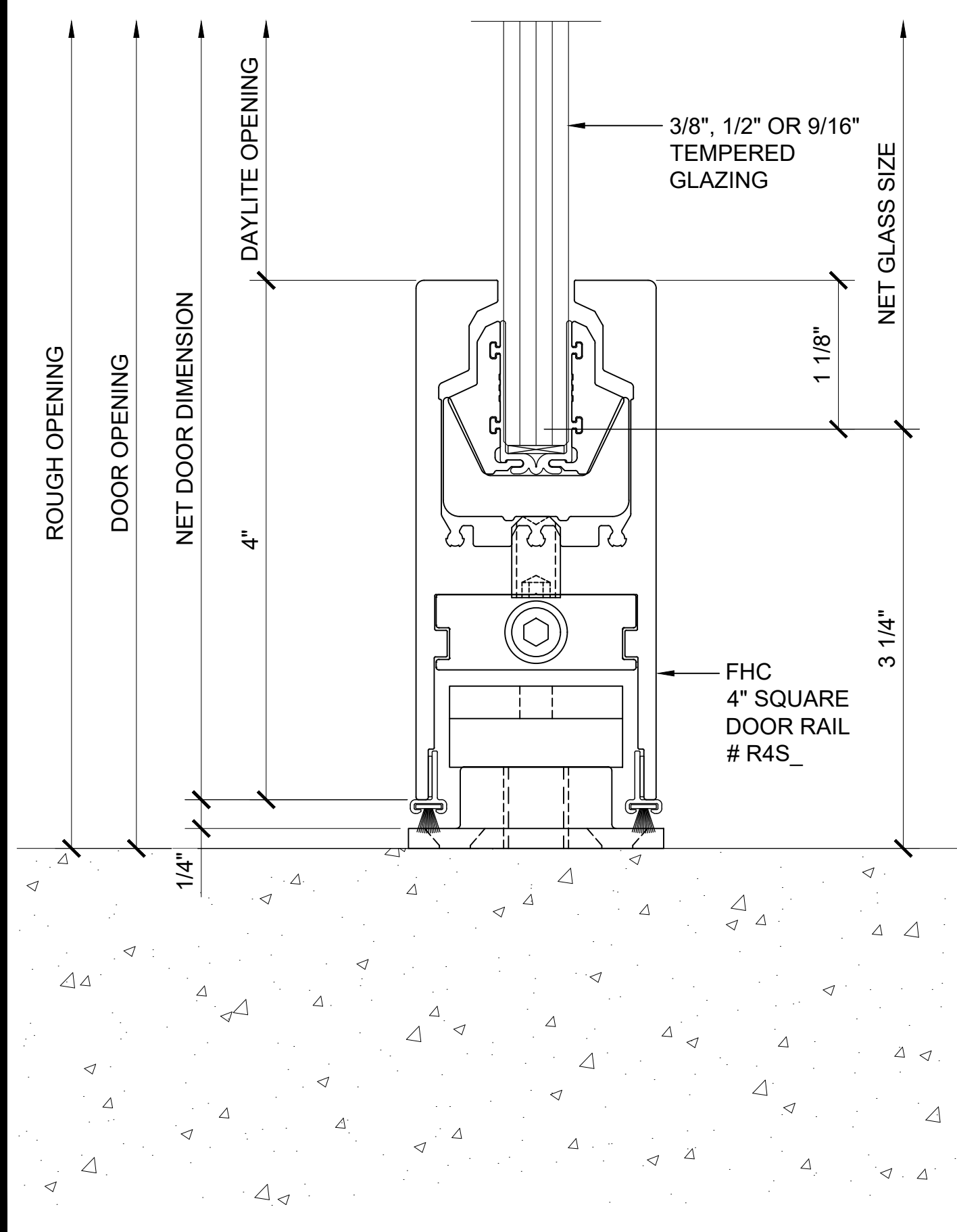
**3 HEAD DETAIL**  
ARCH REF: 1'-0"=1'-0"



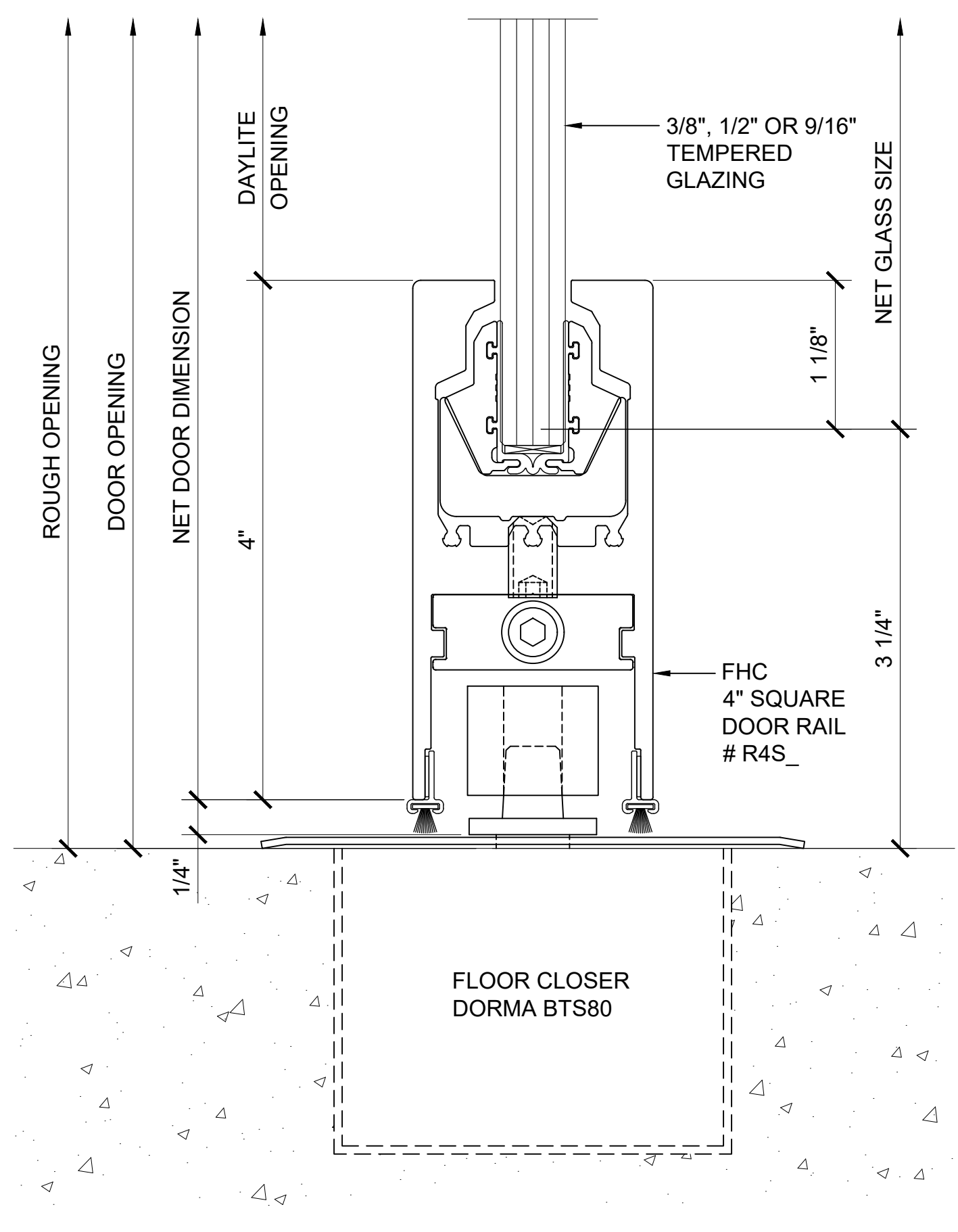
**5 HEAD DETAIL W/ STILE**  
ARCH REF: 1'-0"=1'-0"



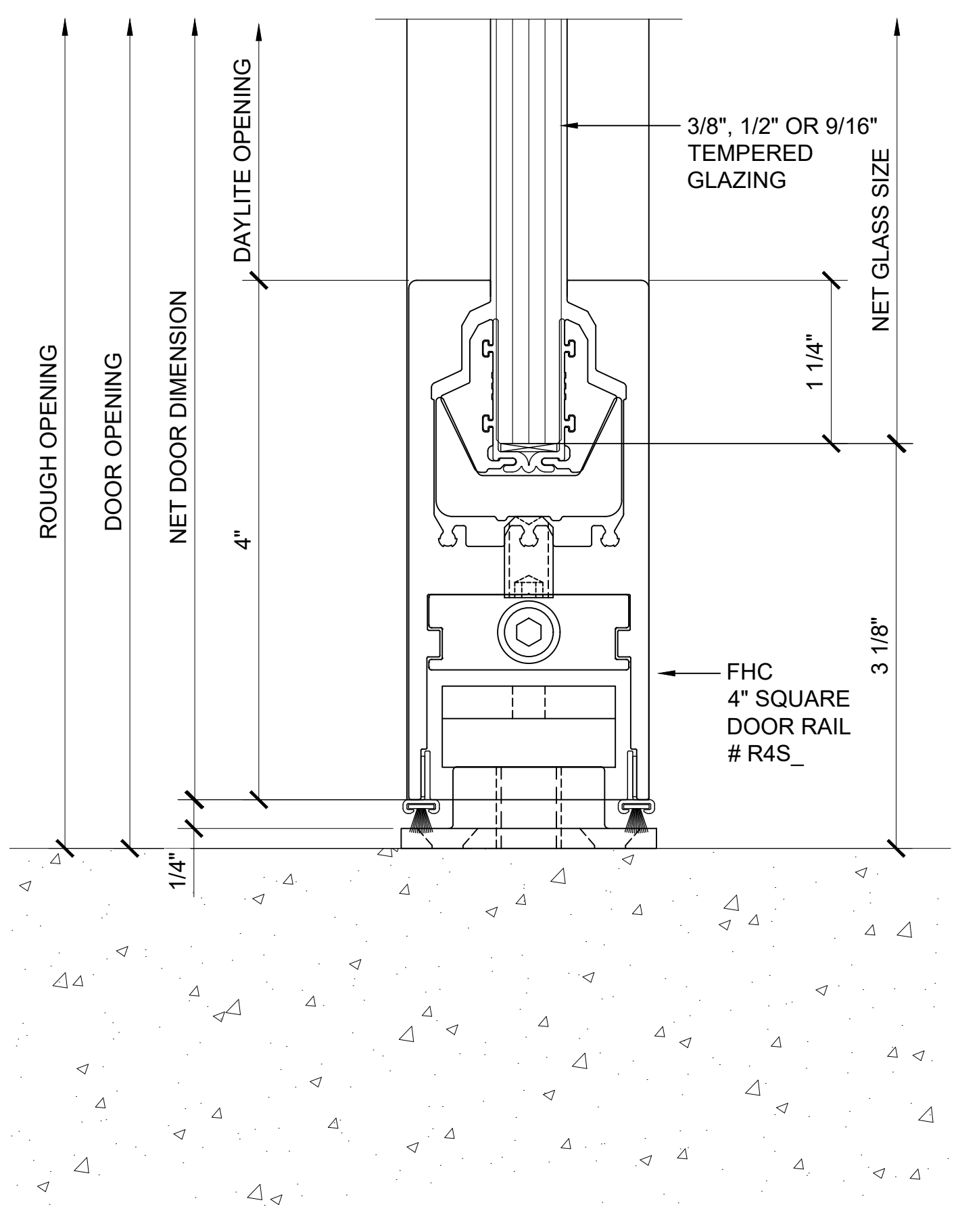
**7 HEAD DETAIL**  
ARCH REF: 1'-0"=1'-0"



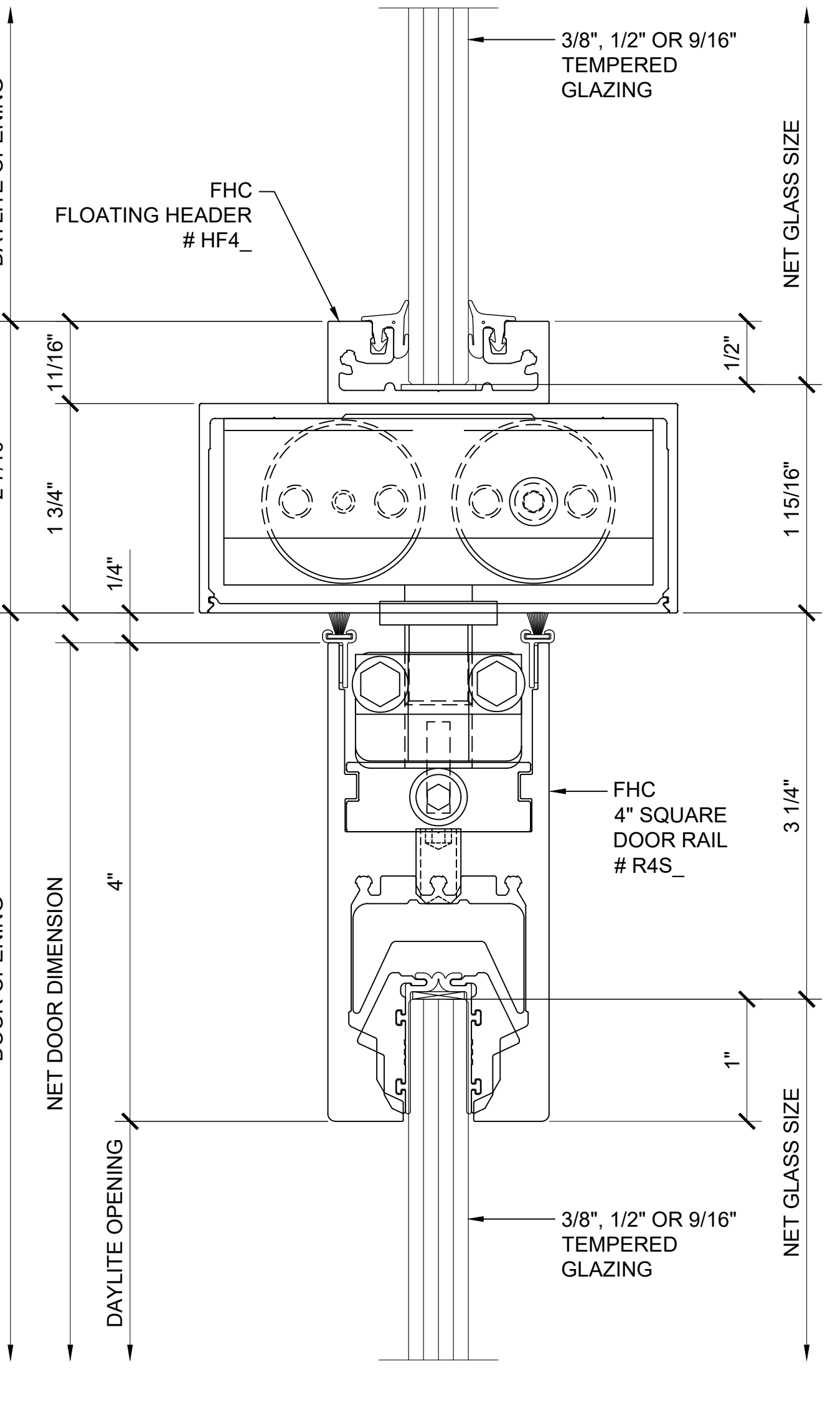
**2 SILL DETAIL**  
ARCH REF: 1'-0"=1'-0"



**4 SILL DETAIL**  
ARCH REF: 1'-0"=1'-0"



**6 SILL DETAIL W/ STILE**  
ARCH REF: 1'-0"=1'-0"



**8 TRANSOM DETAIL**  
ARCH REF: 1'-0"=1'-0"

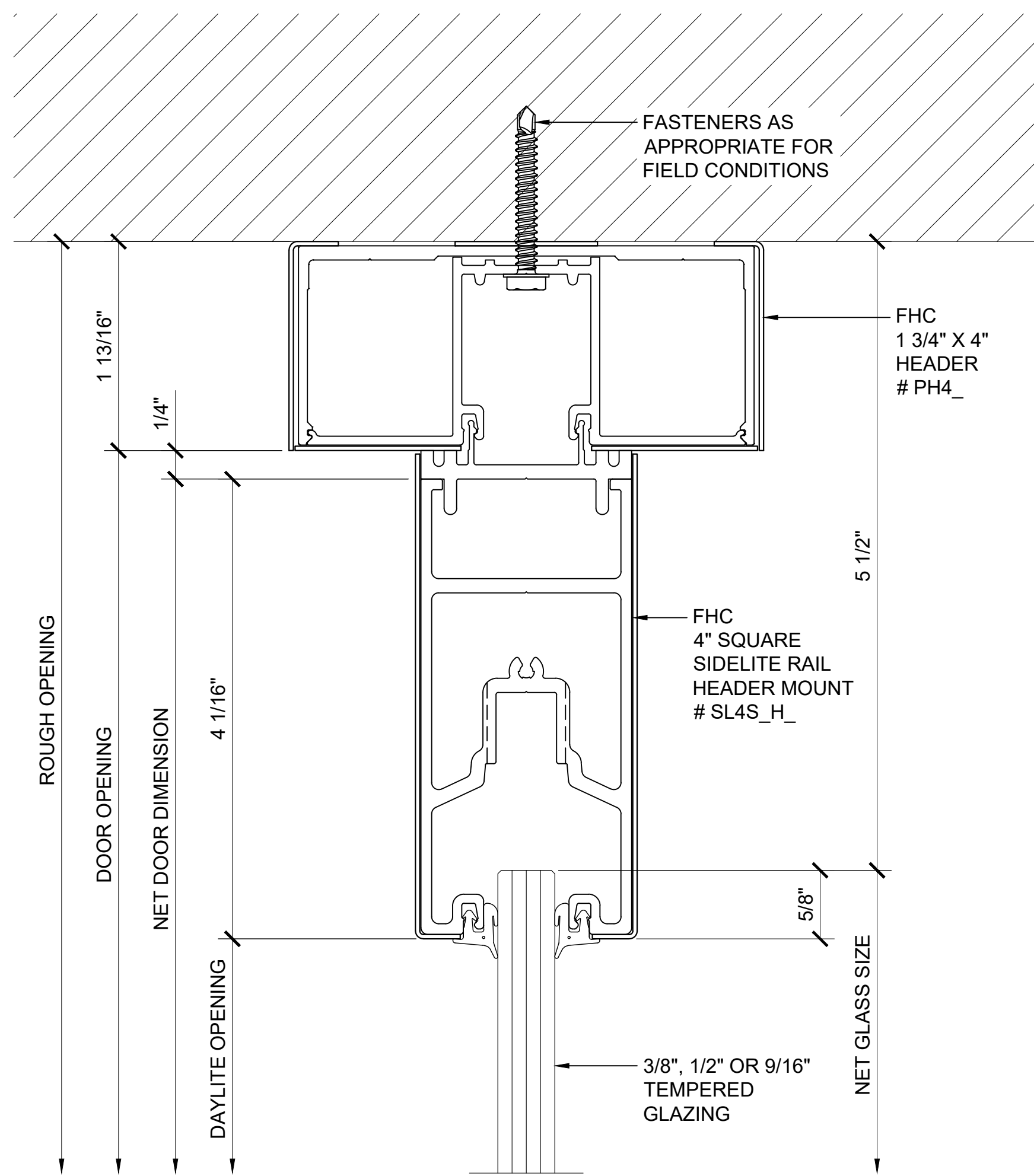
Architect: \_\_\_\_\_ Phone: \_\_\_\_\_  
Fax: \_\_\_\_\_ Contact: \_\_\_\_\_

Job Name: \_\_\_\_\_ Phone: \_\_\_\_\_  
Fax: \_\_\_\_\_ Contact: \_\_\_\_\_

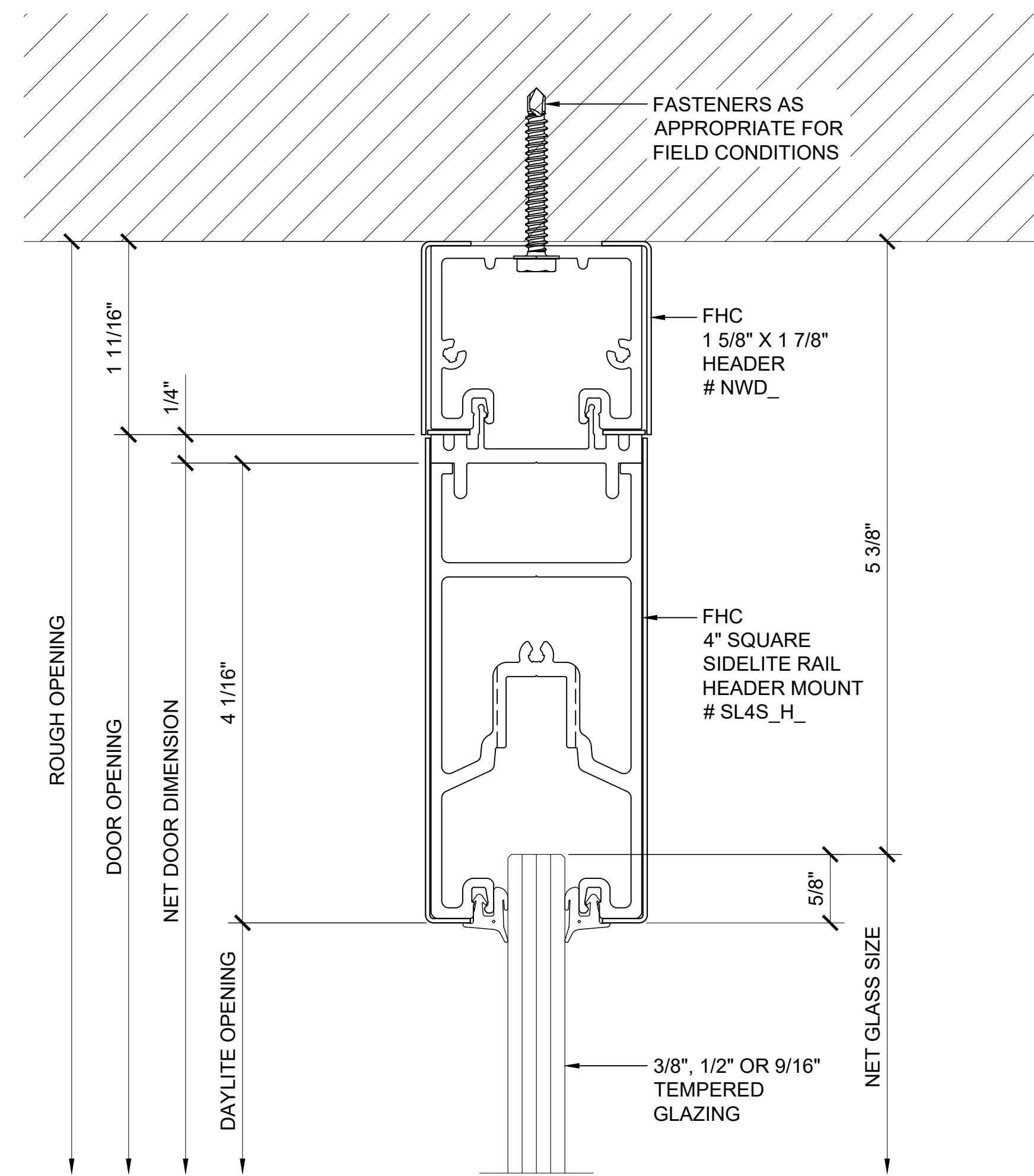
Customer: \_\_\_\_\_ Phone: \_\_\_\_\_  
Fax: \_\_\_\_\_ Contact: \_\_\_\_\_

REV#	DATE	DRAWN BY
0	03/26/20	AAD
1		
2		
3		
4		
5		
6		

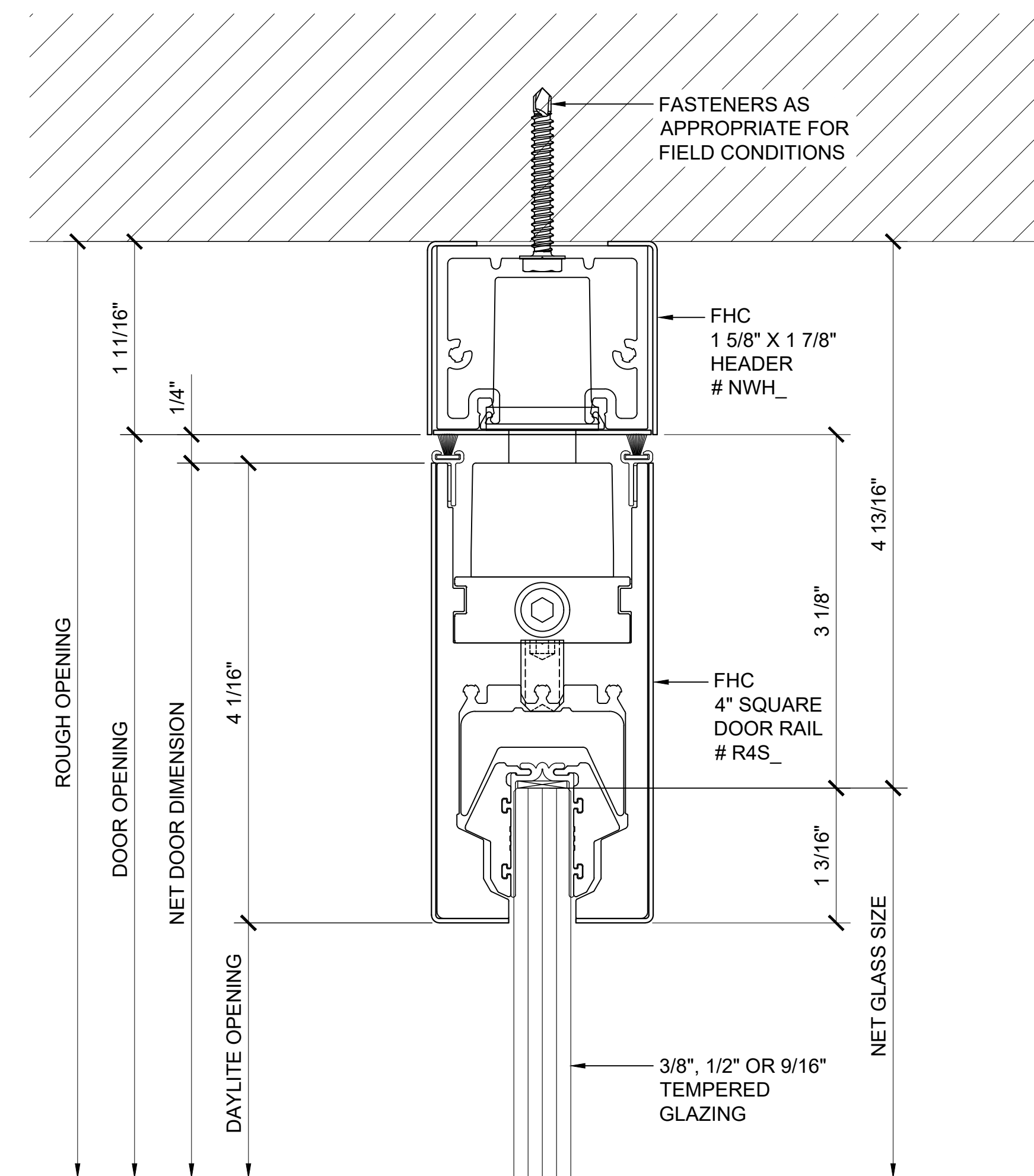
Drawn By: AAD  
Checked By: PM  
Date: 00/00/19  
Scale: AS NOTED  
Project #: 000000



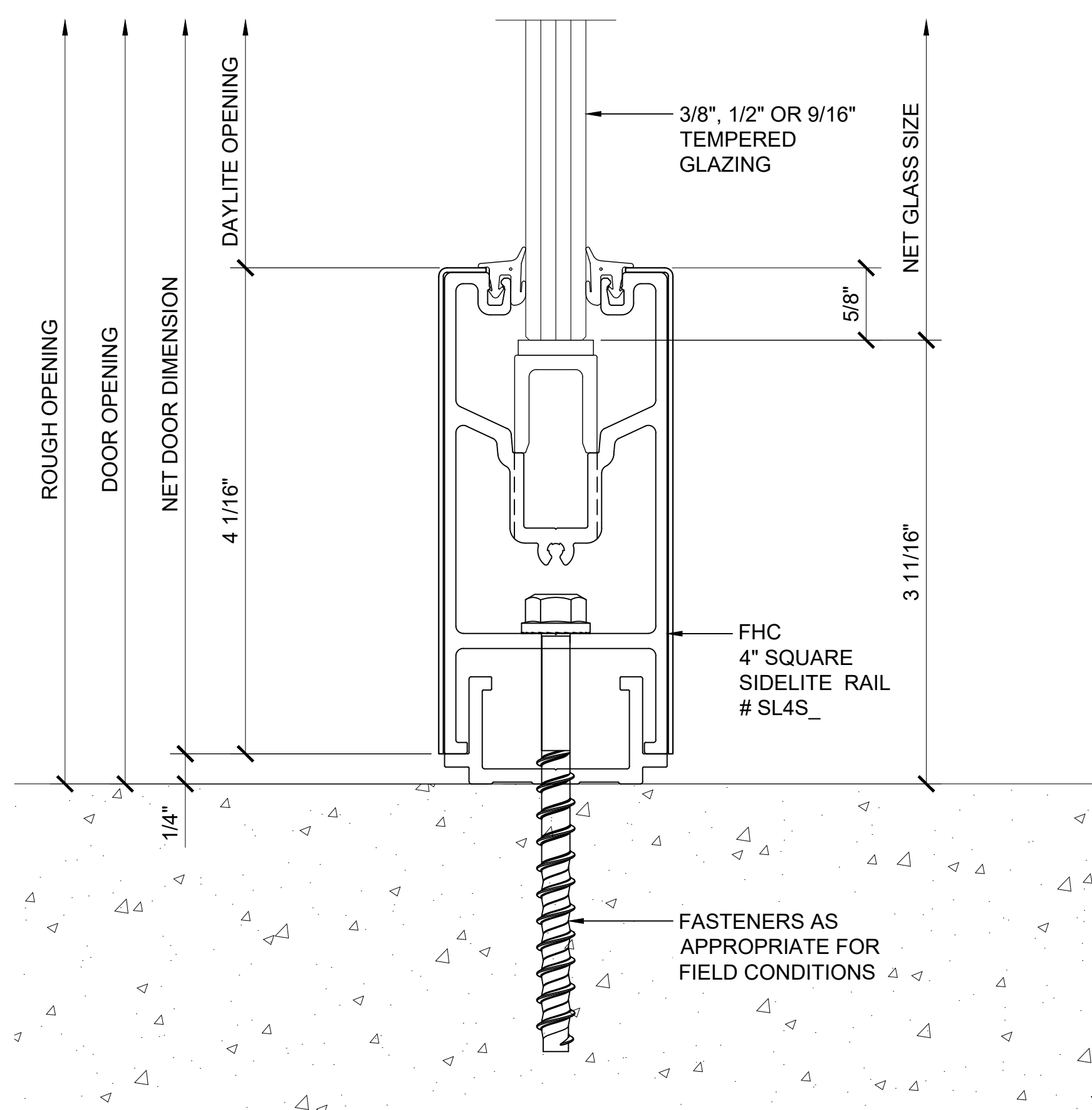
**1 HEAD DETAIL**  
ARCH REF: 1'-0"=1'-0"



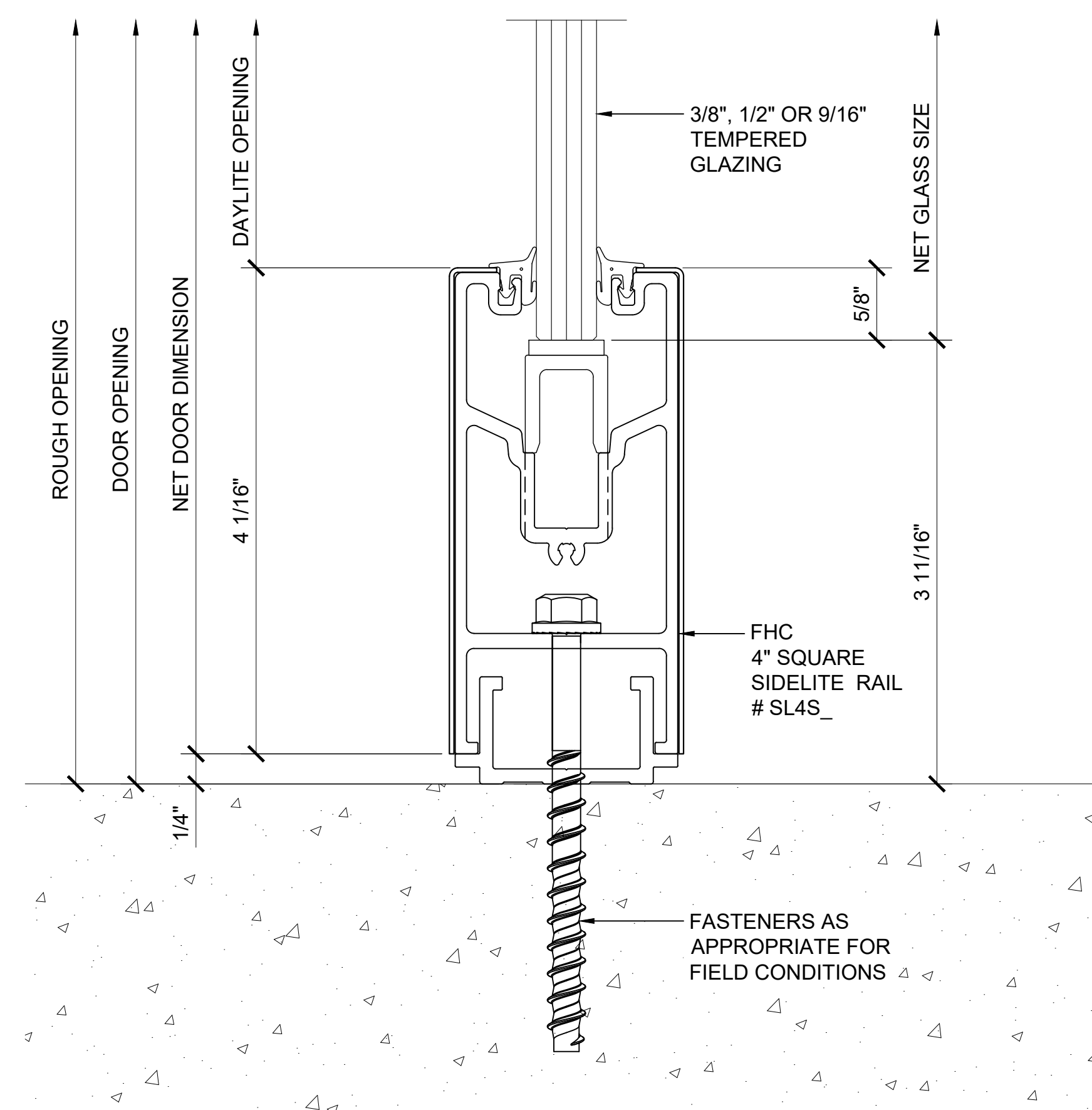
**3 HEAD DETAIL**  
ARCH REF: 1'-0"=1'-0"



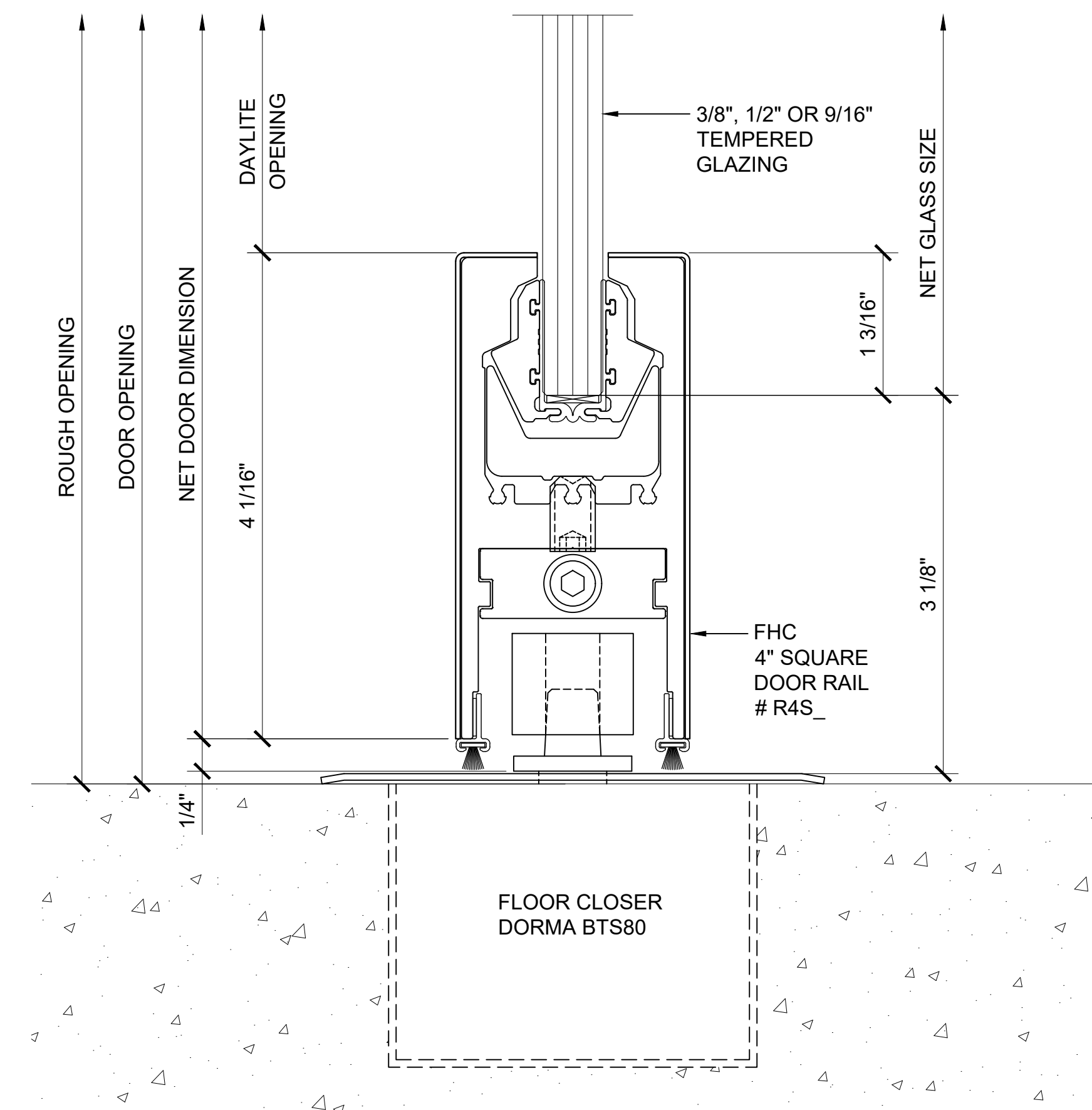
**5 HEAD DETAIL**  
ARCH REF: 1'-0"=1'-0"



**2 SILL DETAIL**  
ARCH REF: 1'-0"=1'-0"



**4 SILL DETAIL**  
ARCH REF: 1'-0"=1'-0"



**6 SILL DETAIL**  
ARCH REF: 1'-0"=1'-0"

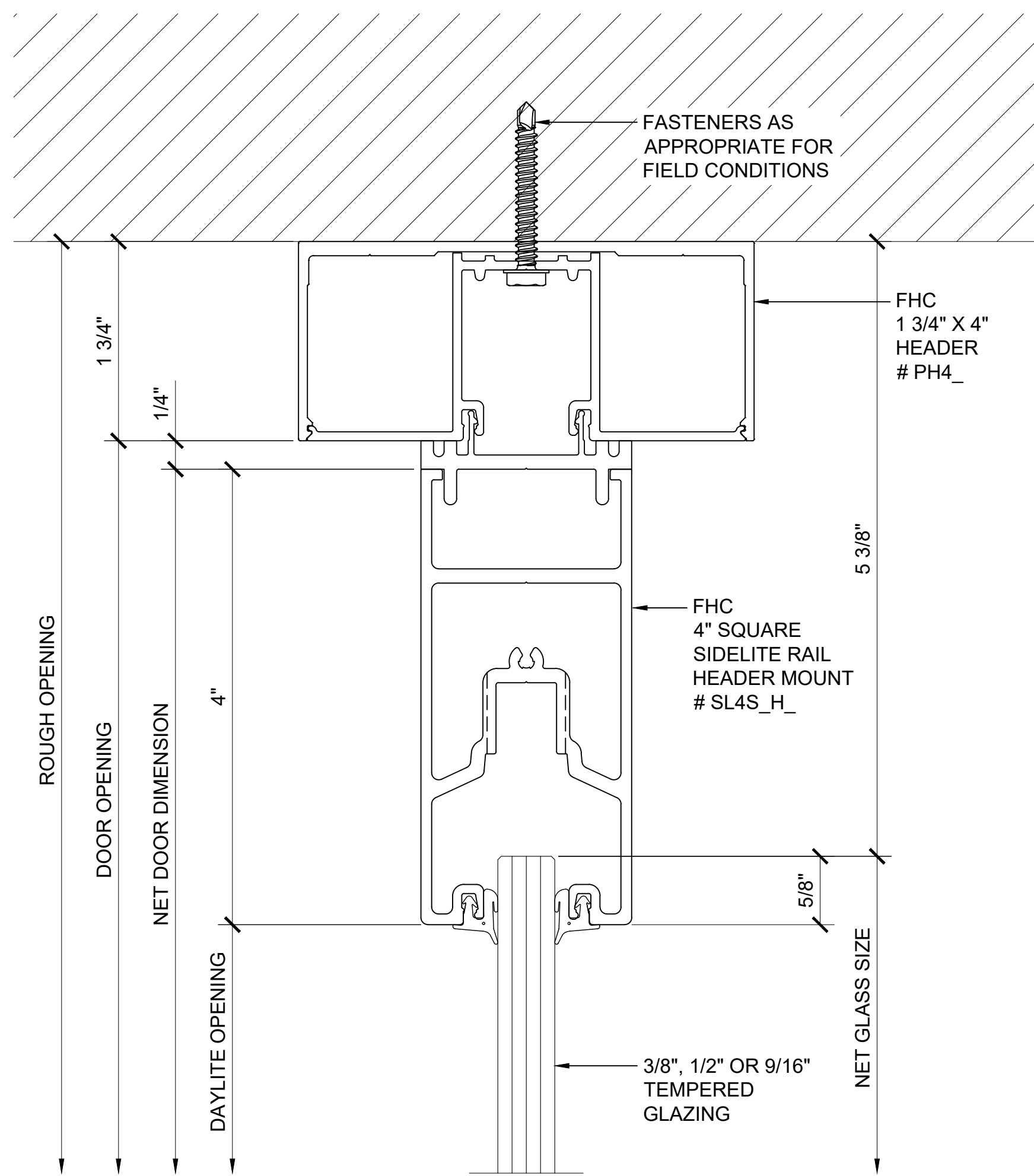
Architect: \_\_\_\_\_  
Phone: \_\_\_\_\_  
Fax: \_\_\_\_\_  
Contact: \_\_\_\_\_

Job Name: \_\_\_\_\_  
Phone: \_\_\_\_\_  
Fax: \_\_\_\_\_  
Contact: \_\_\_\_\_

Customer: \_\_\_\_\_  
Phone: \_\_\_\_\_  
Fax: \_\_\_\_\_  
Contact: \_\_\_\_\_

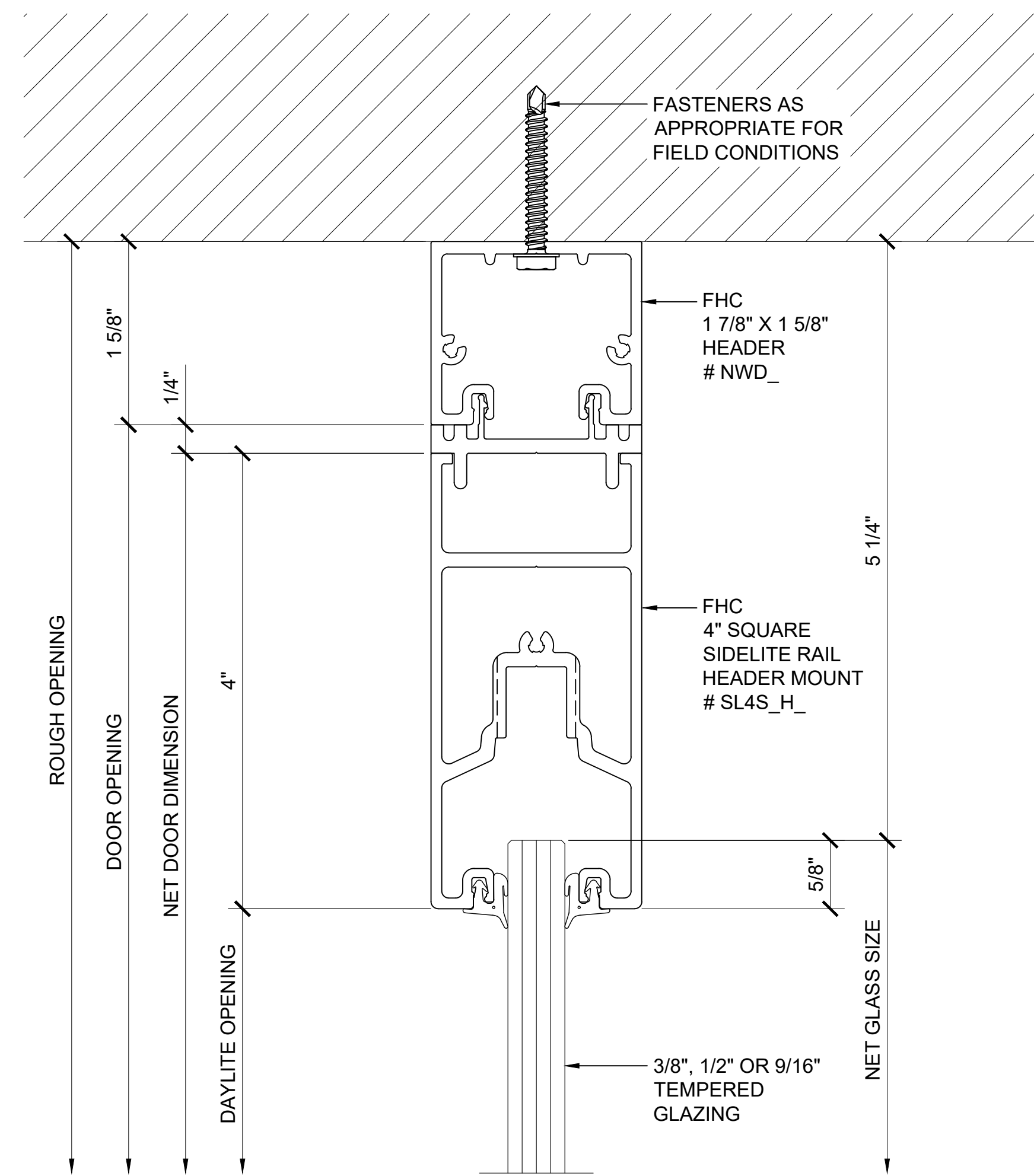
REV#	DATE	DRAWN BY
0	03/26/20	AAD
1		
2		
3		
4		
5		
6		

Drawn By: AAD  
Checked By: PM  
Date: 00/00/19  
Scale: AS NOTED  
Project #: 000000



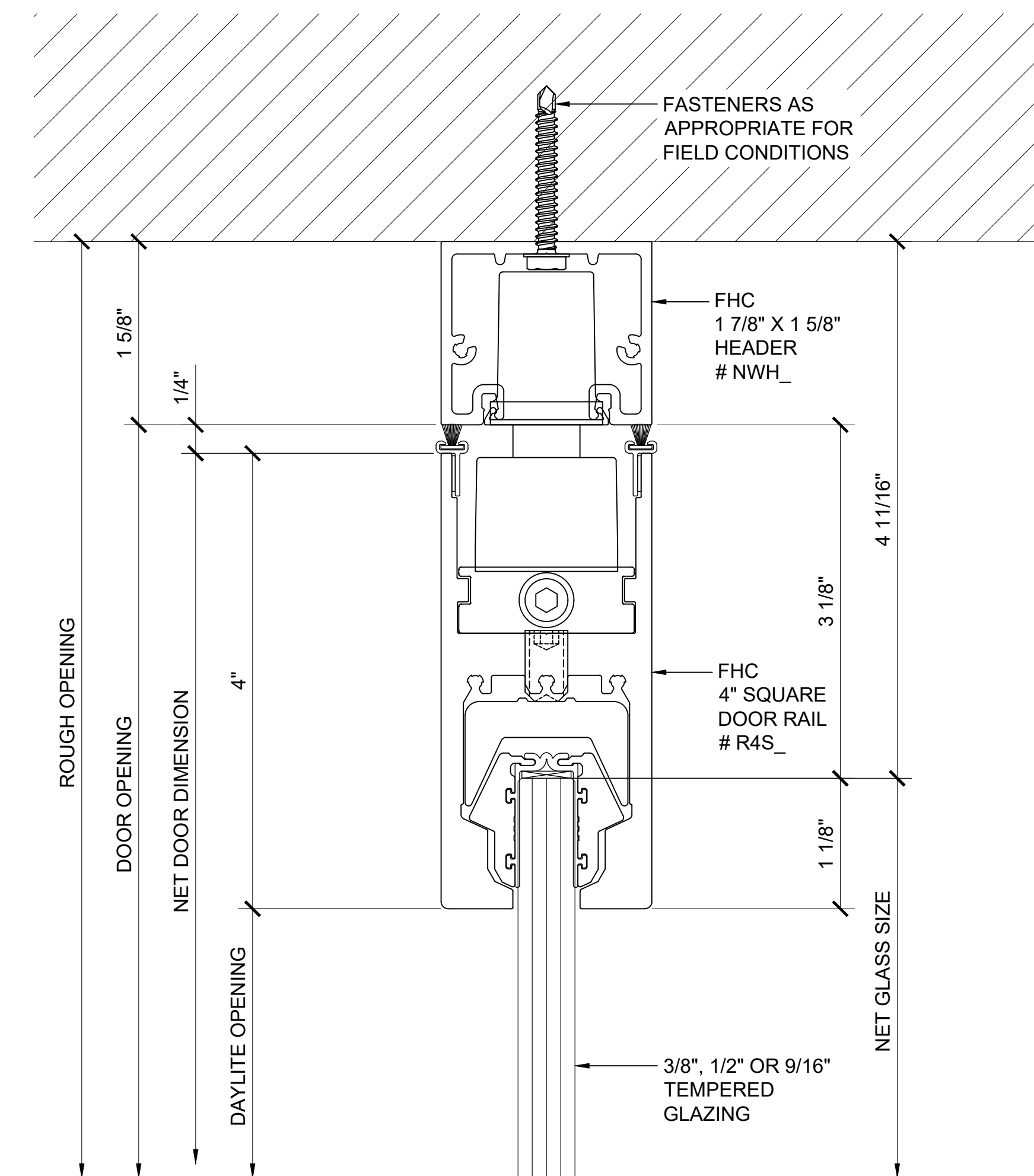
① HEAD DETAIL

ARCH REF: 1'-0"=1'-0"



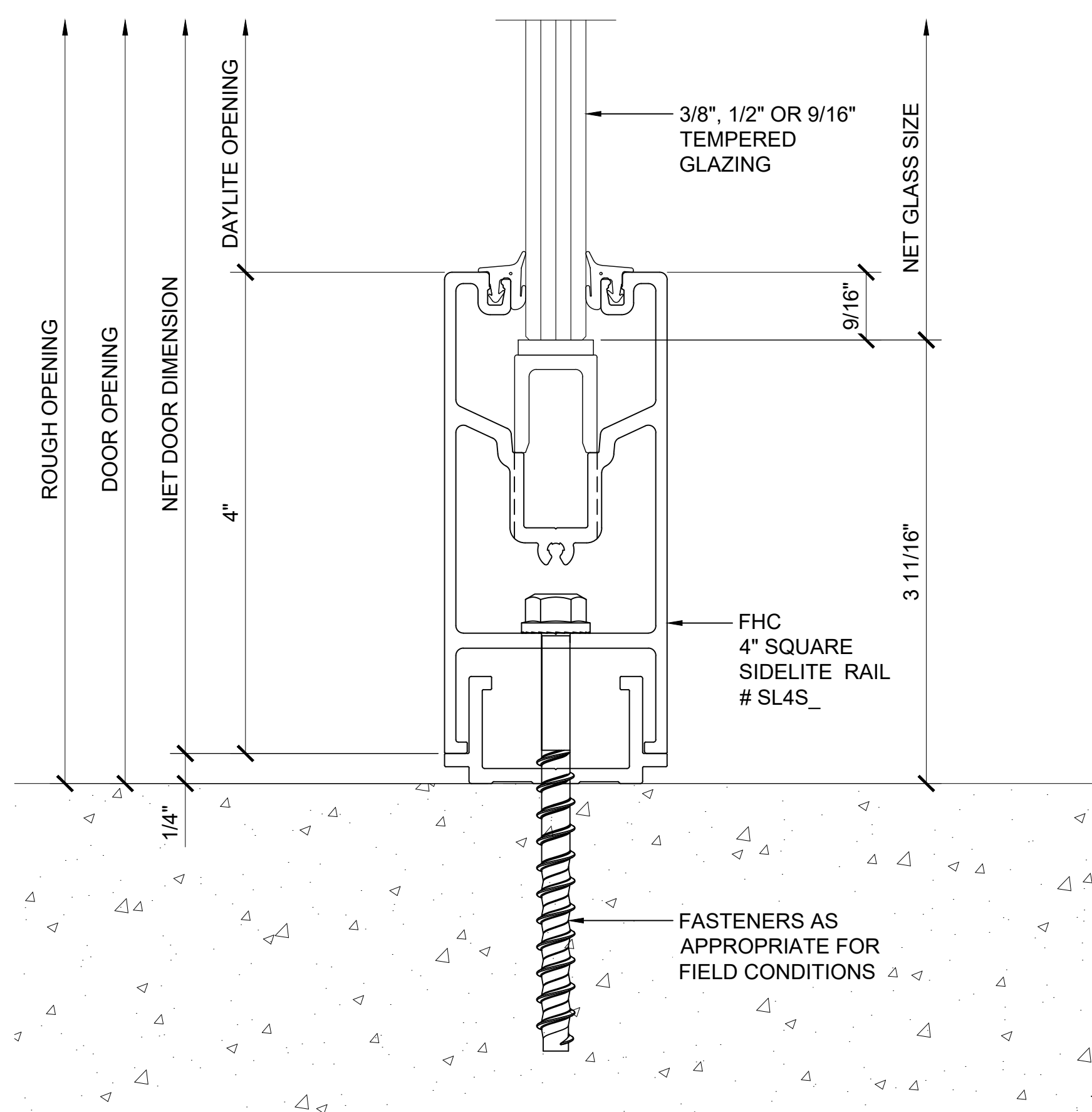
③ HEAD DETAIL

ARCH REF: 1'-0"=1'-0"



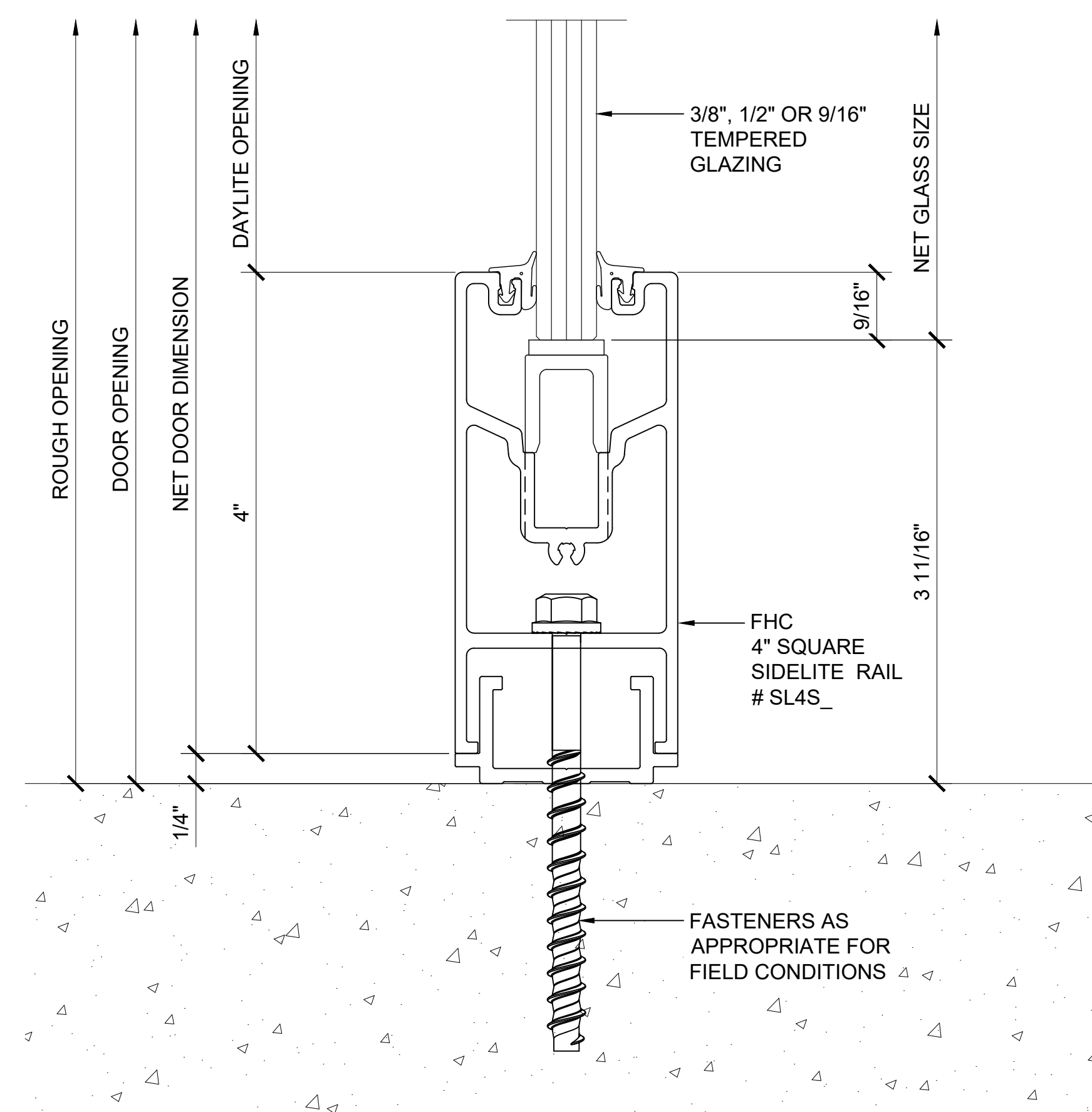
⑤ HEAD DETAIL

ARCH REF: 1'-0"=1'-0"



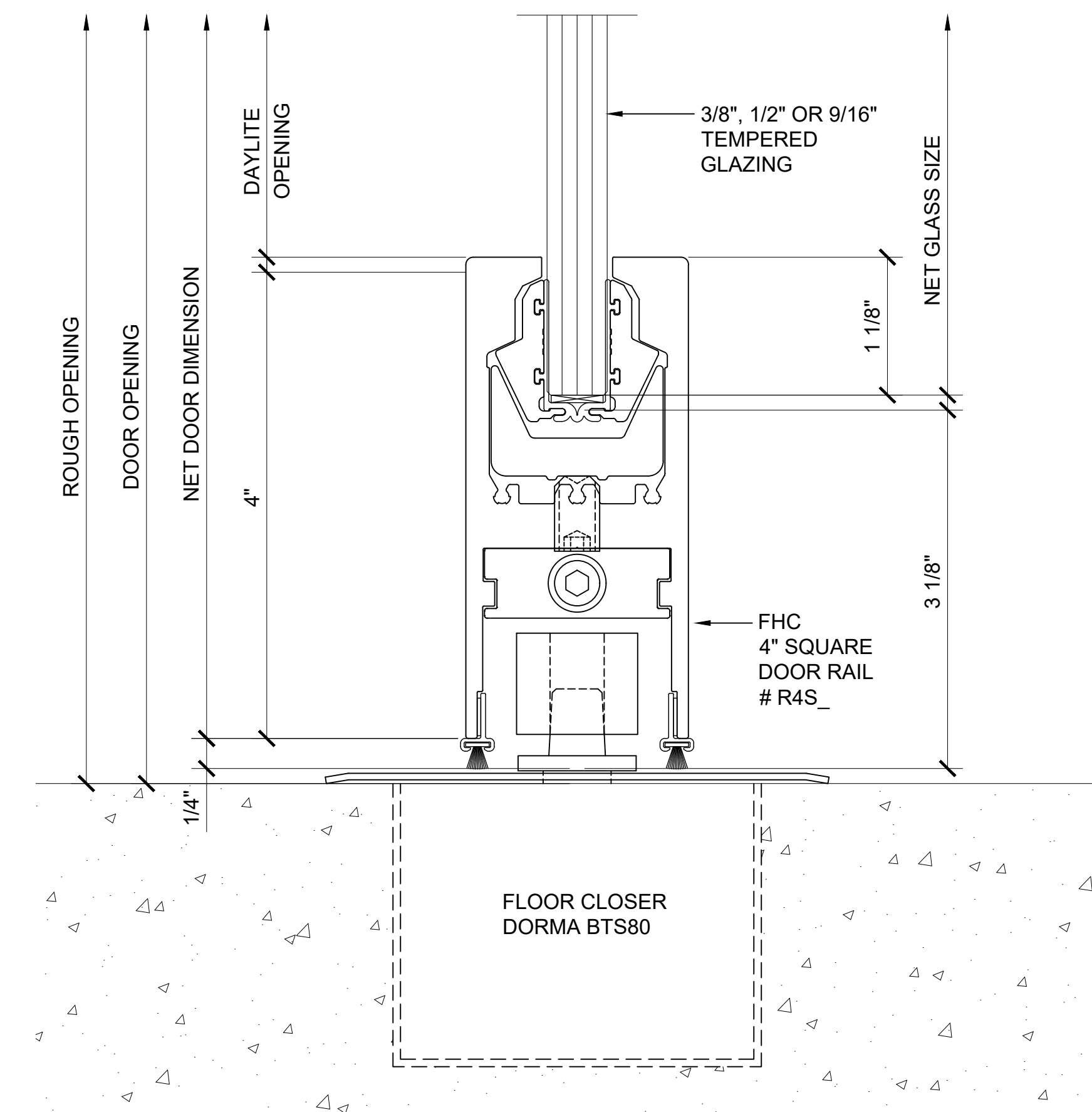
② SILL DETAIL

ARCH REF: 1'-0"=1'-0"



④ SILL DETAIL

ARCH REF: 1'-0"=1'-0"



⑥ SILL DETAIL

ARCH REF: 1'-0"=1'-0"

Architect: \_\_\_\_\_  
 Phone: \_\_\_\_\_  
 Fax: \_\_\_\_\_  
 Contact: \_\_\_\_\_

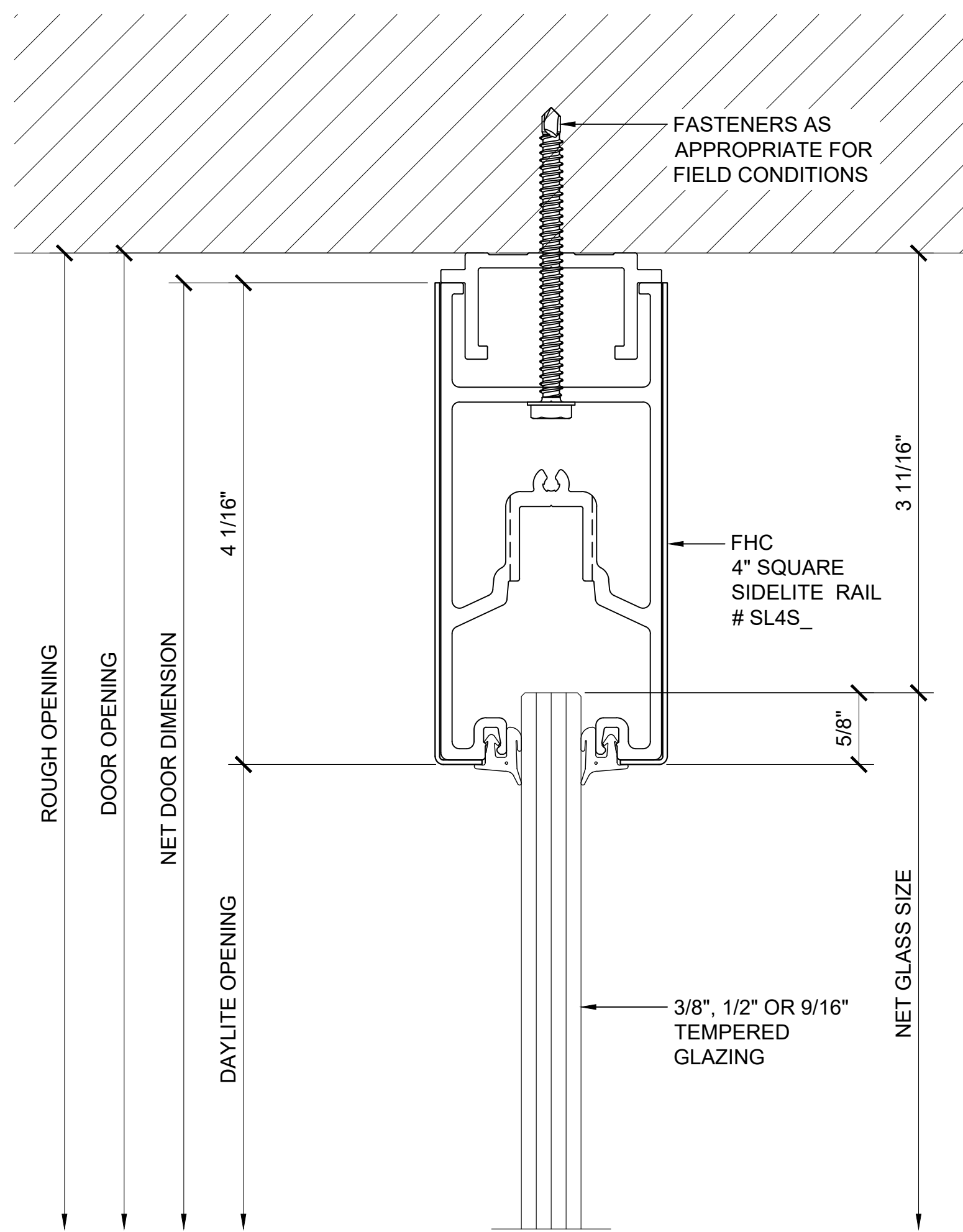
Job Name: \_\_\_\_\_  
 Phone: \_\_\_\_\_  
 Fax: \_\_\_\_\_  
 Contact: \_\_\_\_\_

Customer: \_\_\_\_\_  
 Phone: \_\_\_\_\_  
 Fax: \_\_\_\_\_  
 Contact: \_\_\_\_\_

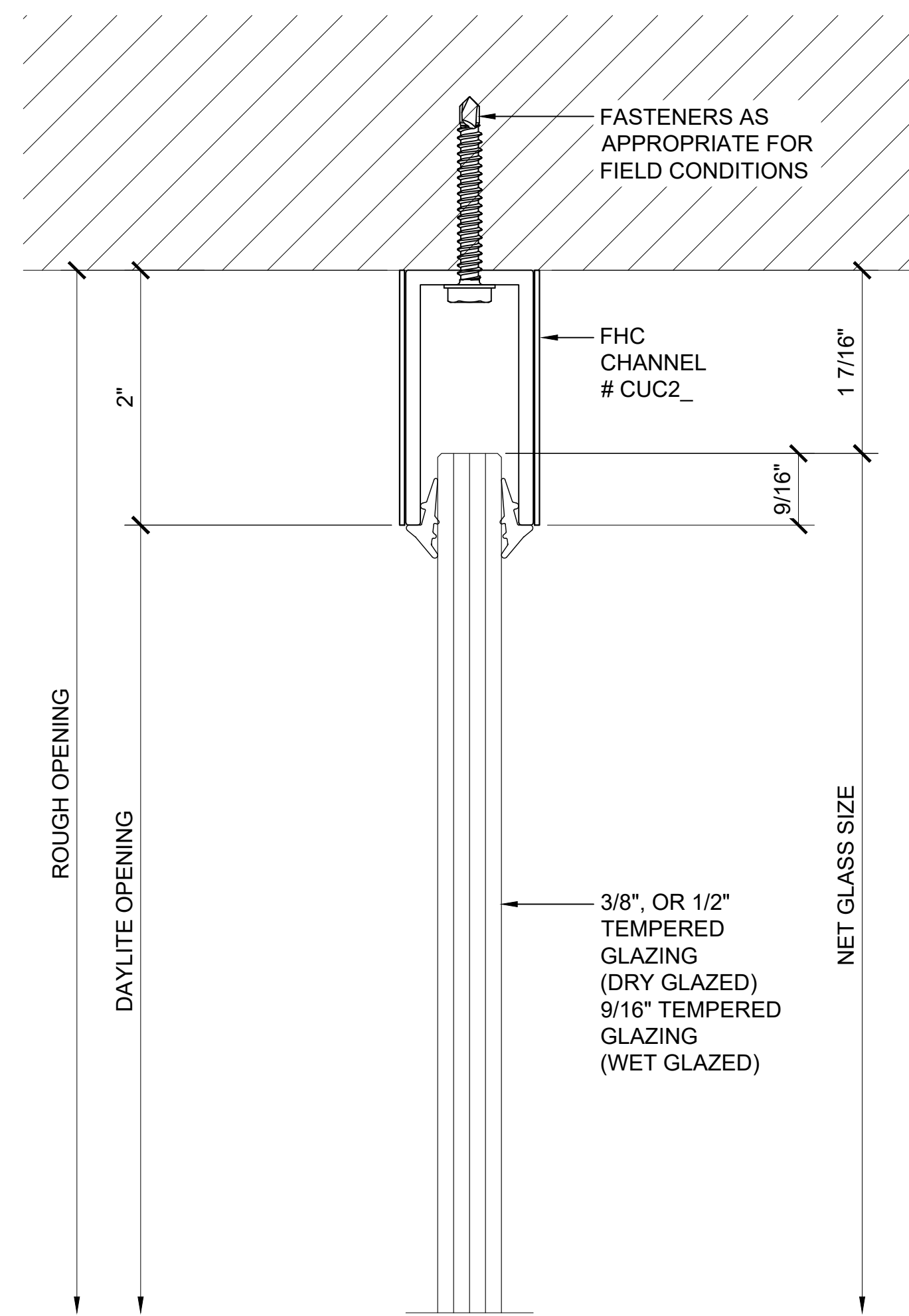
REV#	DATE	DRAWN BY
0	03/26/20	AAD
1		
2		
3		
4		
5		
6		

Drawn By: AAD  
 Checked By: PM  
 Date: 00/00/19  
 Scale: AS NOTED  
 Project #: 000000

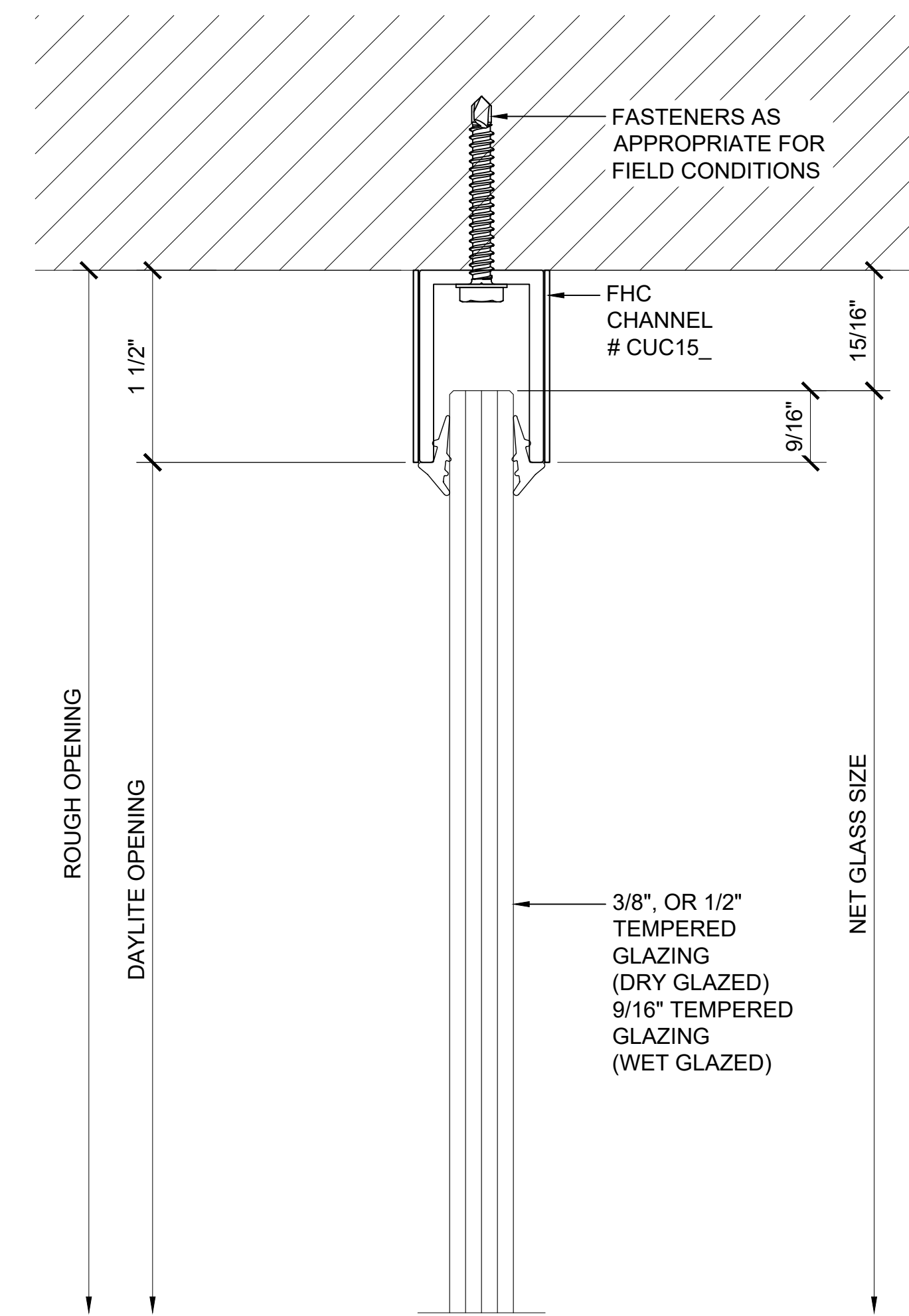
Sheet No.



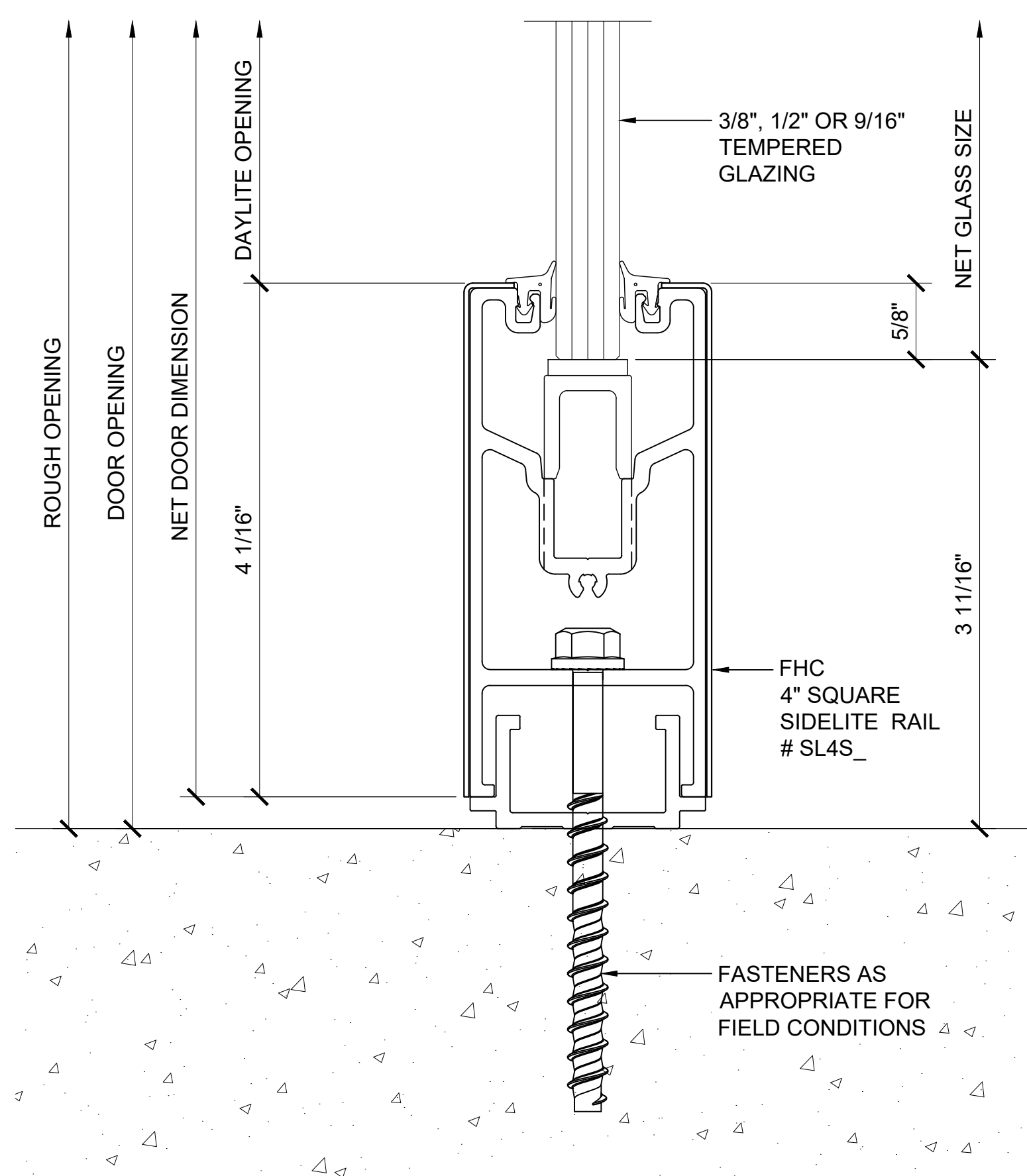
**① HEAD DETAIL**  
ARCH REF: 1'-0"=1'-0"



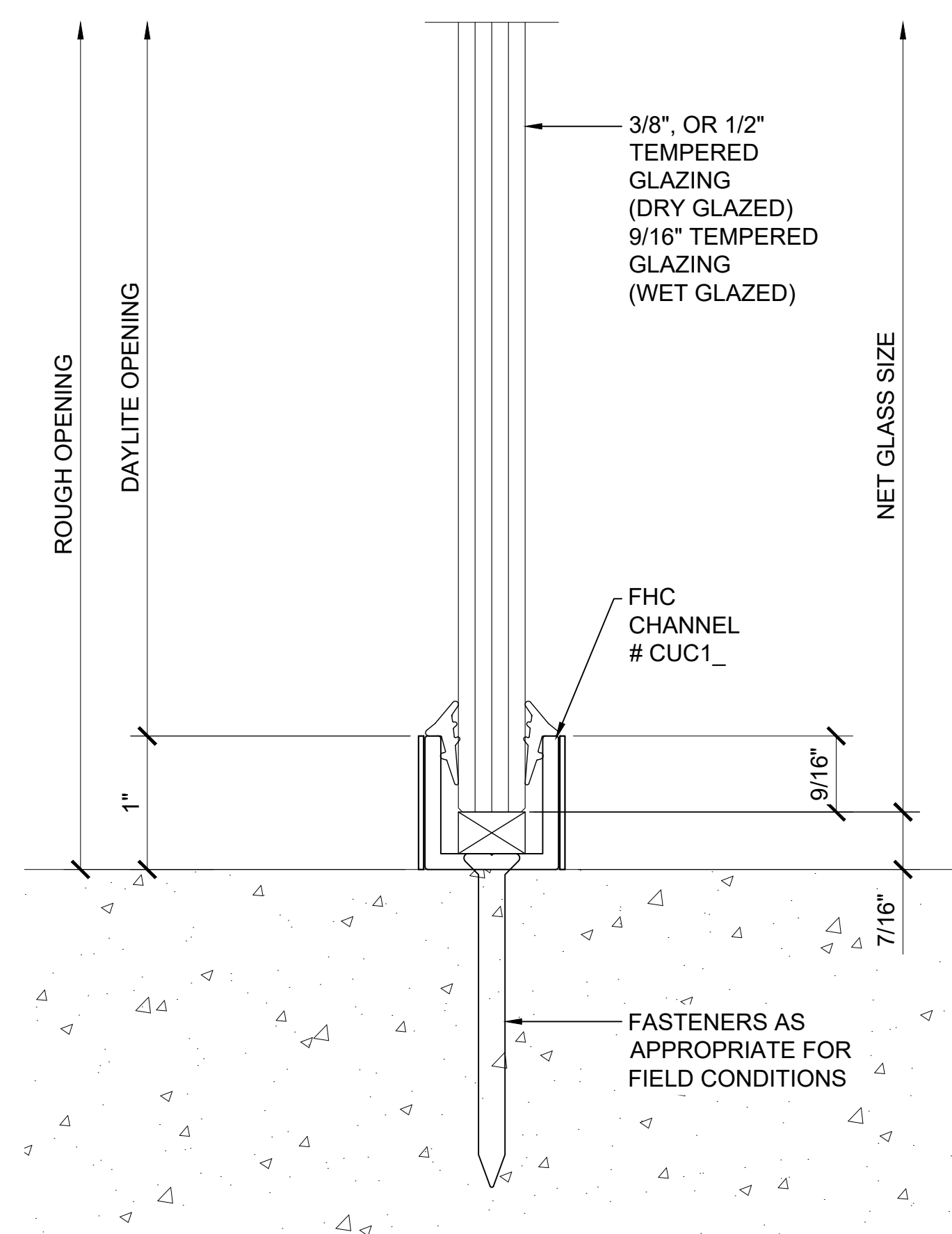
**③ HEAD DETAIL**  
ARCH REF: 1'-0"=1'-0"



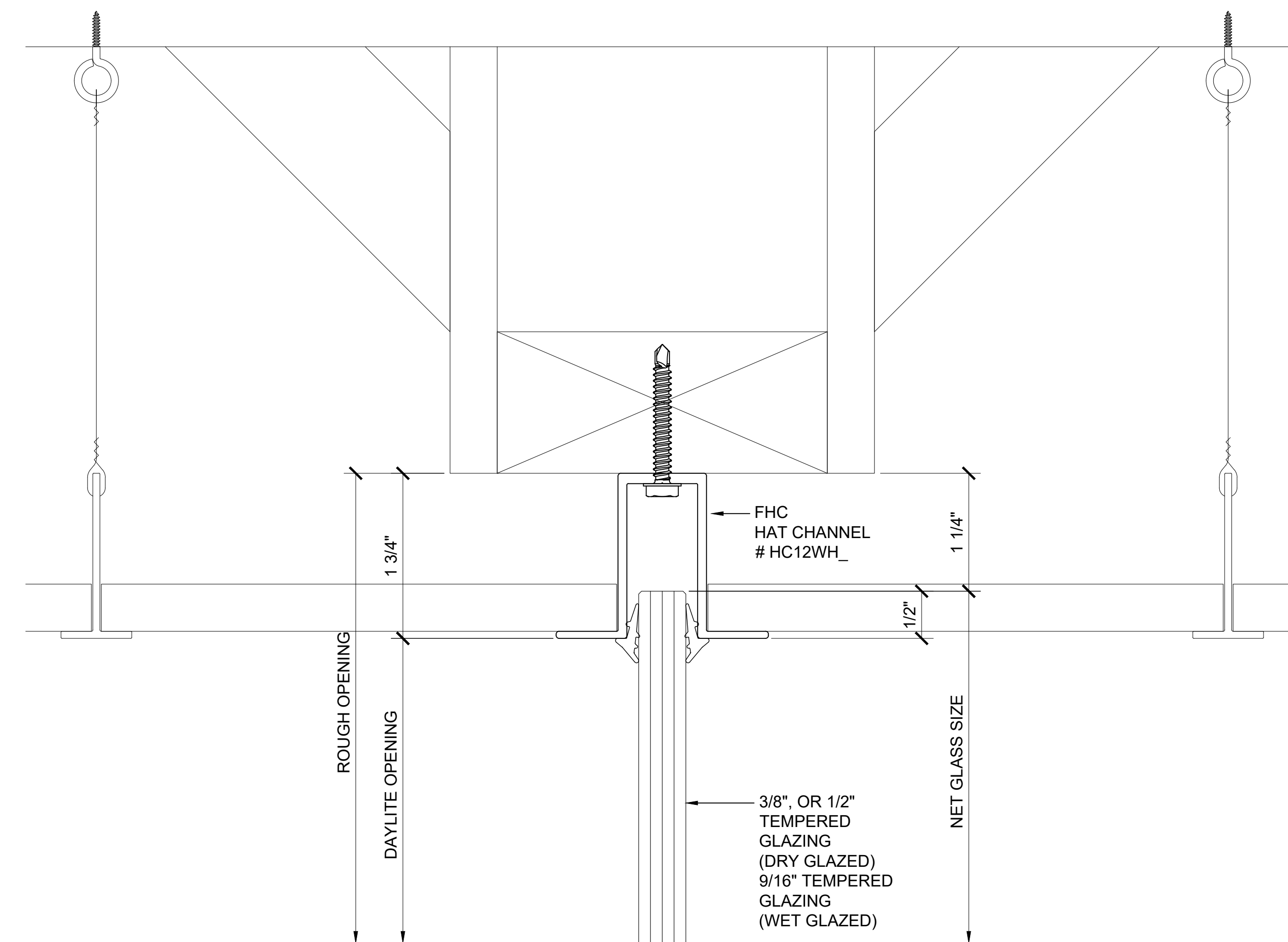
**⑤ HEAD DETAIL**  
ARCH REF: 1'-0"=1'-0"



**② SILL DETAIL**  
ARCH REF: 1'-0"=1'-0"



**④ SILL DETAIL**  
ARCH REF: 1'-0"=1'-0"



**⑥ HEAD DETAIL**  
ARCH REF: 1'-0"=1'-0"

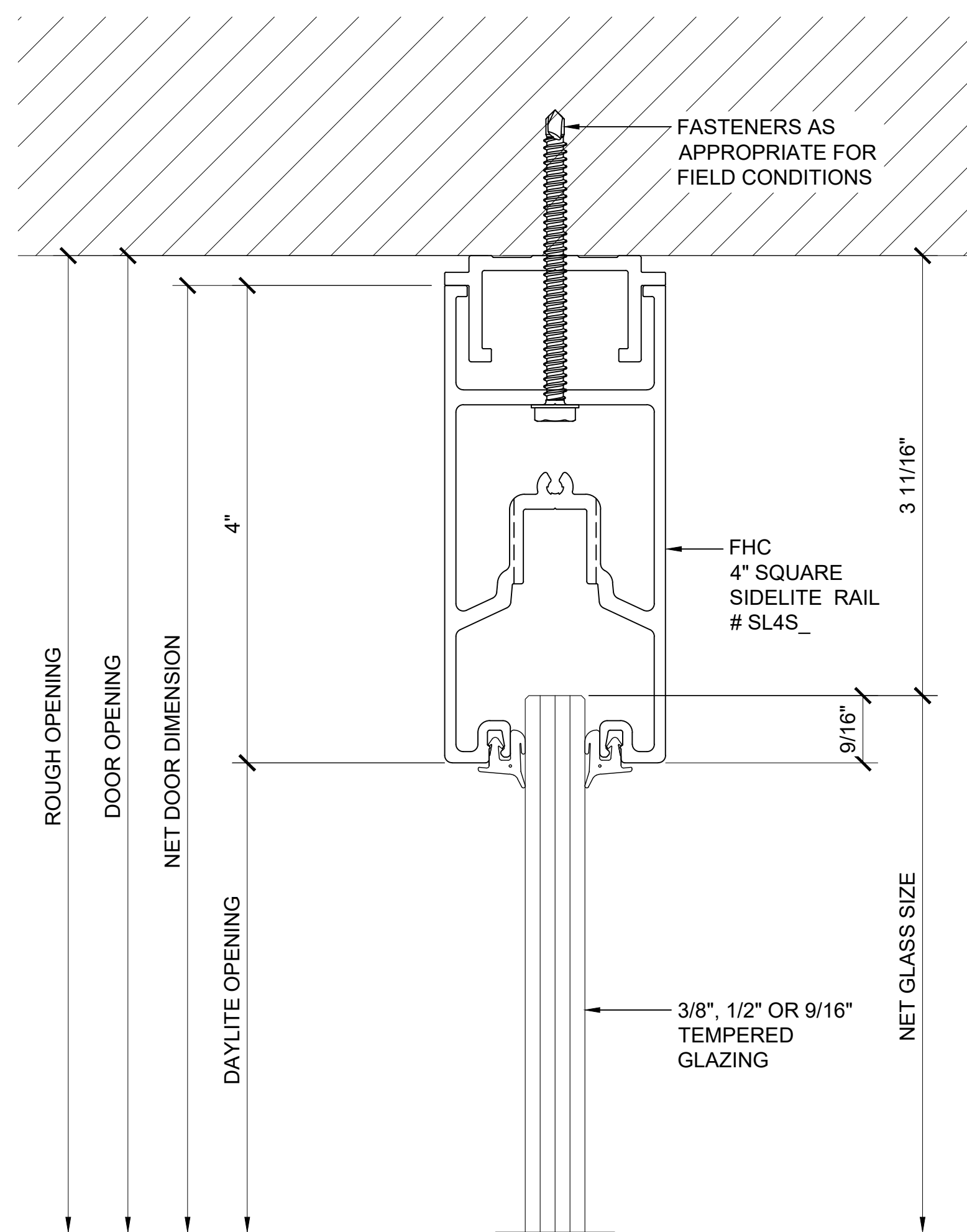
Architect: \_\_\_\_\_  
Job Name: \_\_\_\_\_  
Customer: \_\_\_\_\_  
Phone: \_\_\_\_\_  
Fax: \_\_\_\_\_  
Contact: \_\_\_\_\_

Architect: \_\_\_\_\_  
Job Name: \_\_\_\_\_  
Customer: \_\_\_\_\_  
Phone: \_\_\_\_\_  
Fax: \_\_\_\_\_  
Contact: \_\_\_\_\_

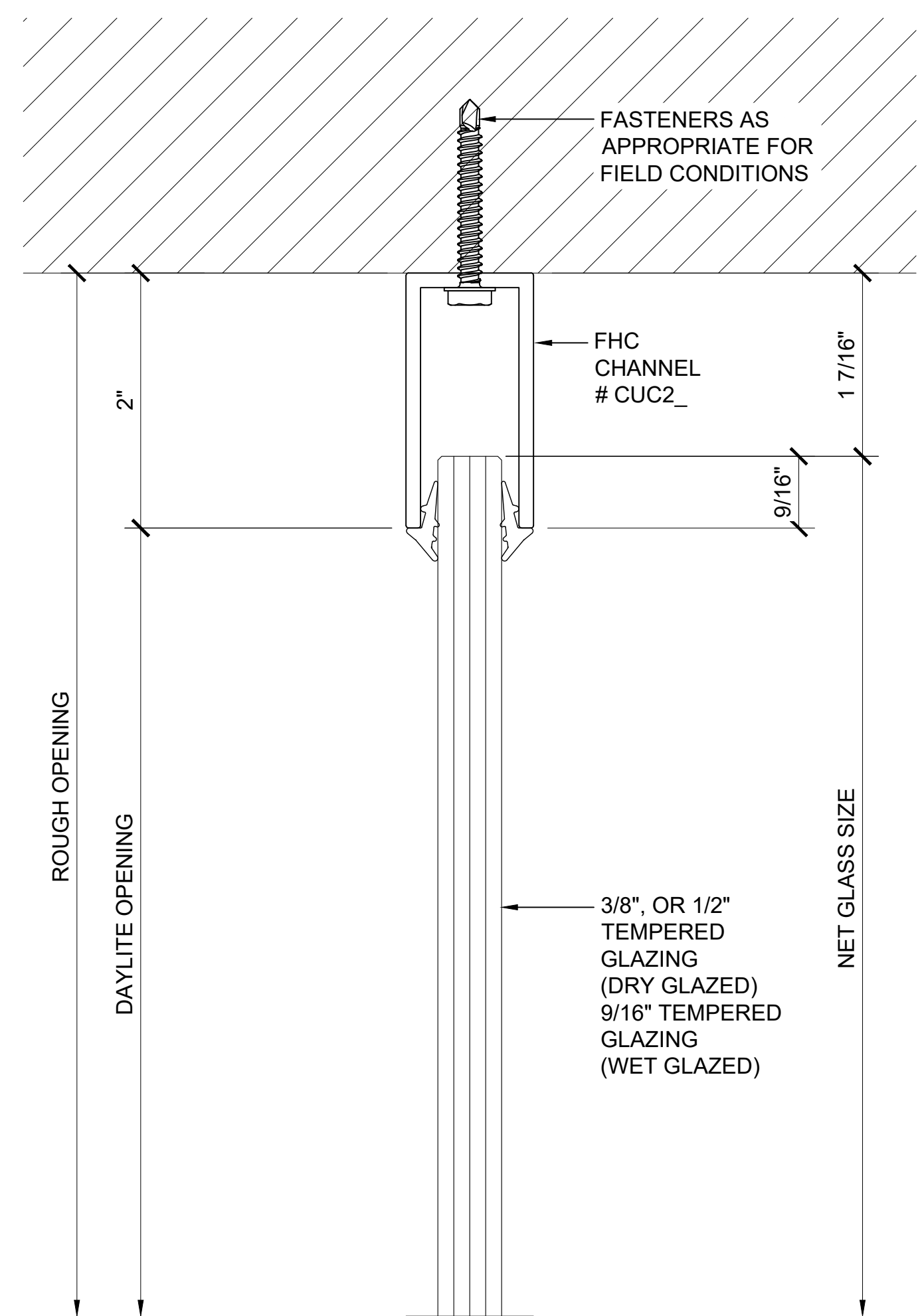
Architect: \_\_\_\_\_  
Job Name: \_\_\_\_\_  
Customer: \_\_\_\_\_  
Phone: \_\_\_\_\_  
Fax: \_\_\_\_\_  
Contact: \_\_\_\_\_

REV#	DATE	DRAWN BY
0	03/26/20	AAD
1		
2		
3		
4		
5		
6		

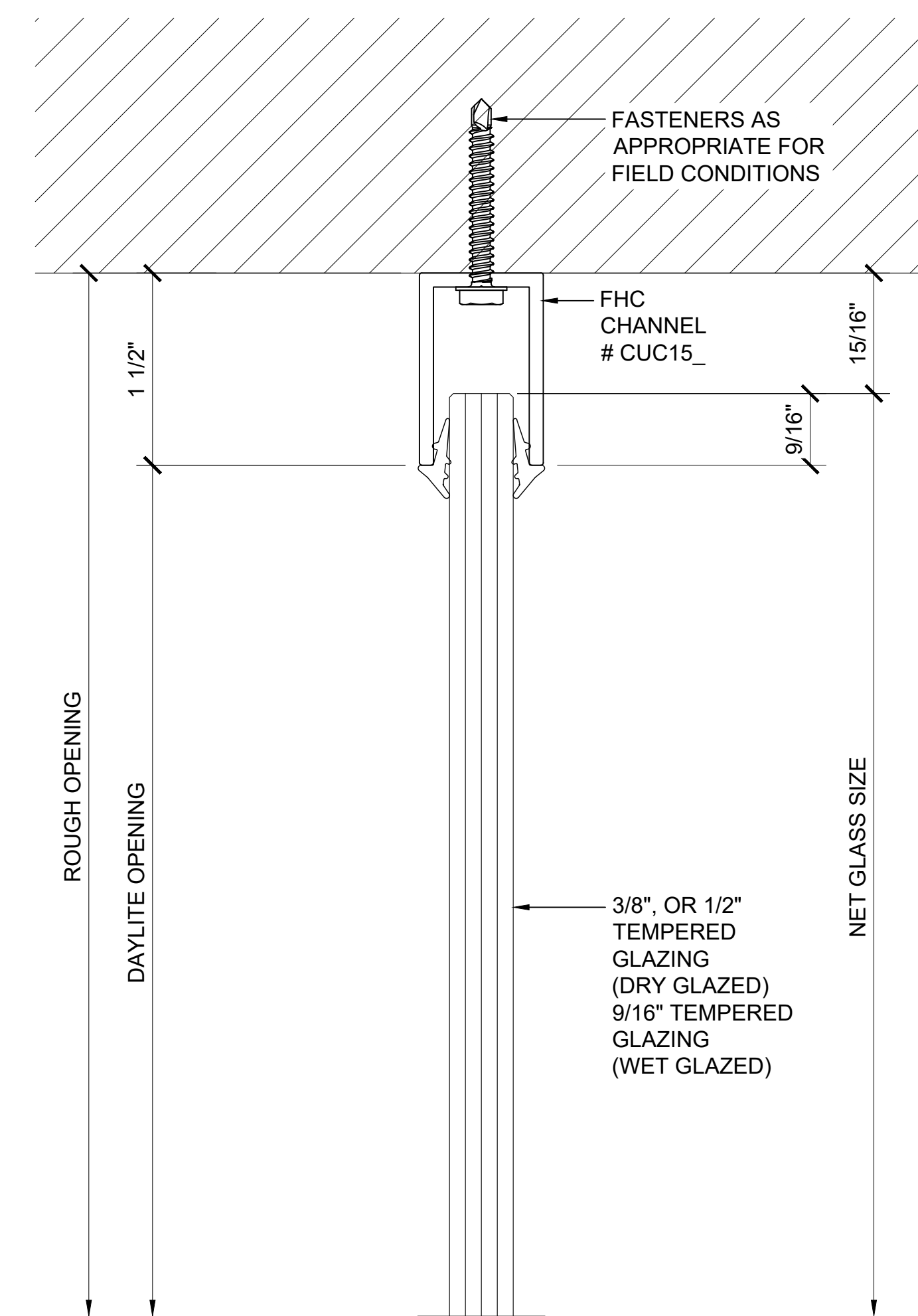
Drawn By: AAD  
Checked By: PM  
Date: 00/00/19  
Scale: AS NOTED  
Project #: 000000



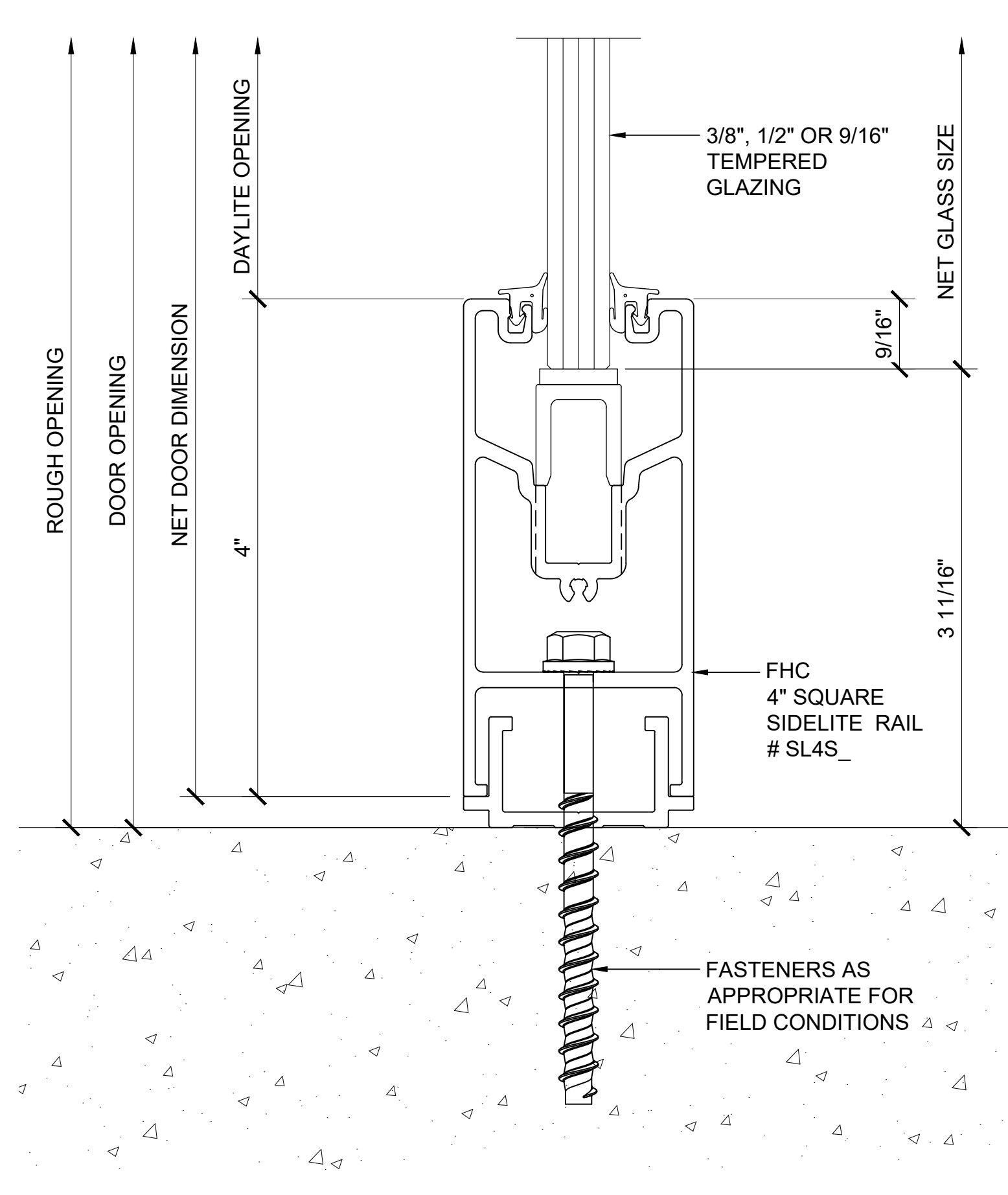
**① HEAD DETAIL**  
ARCH REF: 1'-0"=1'-0"



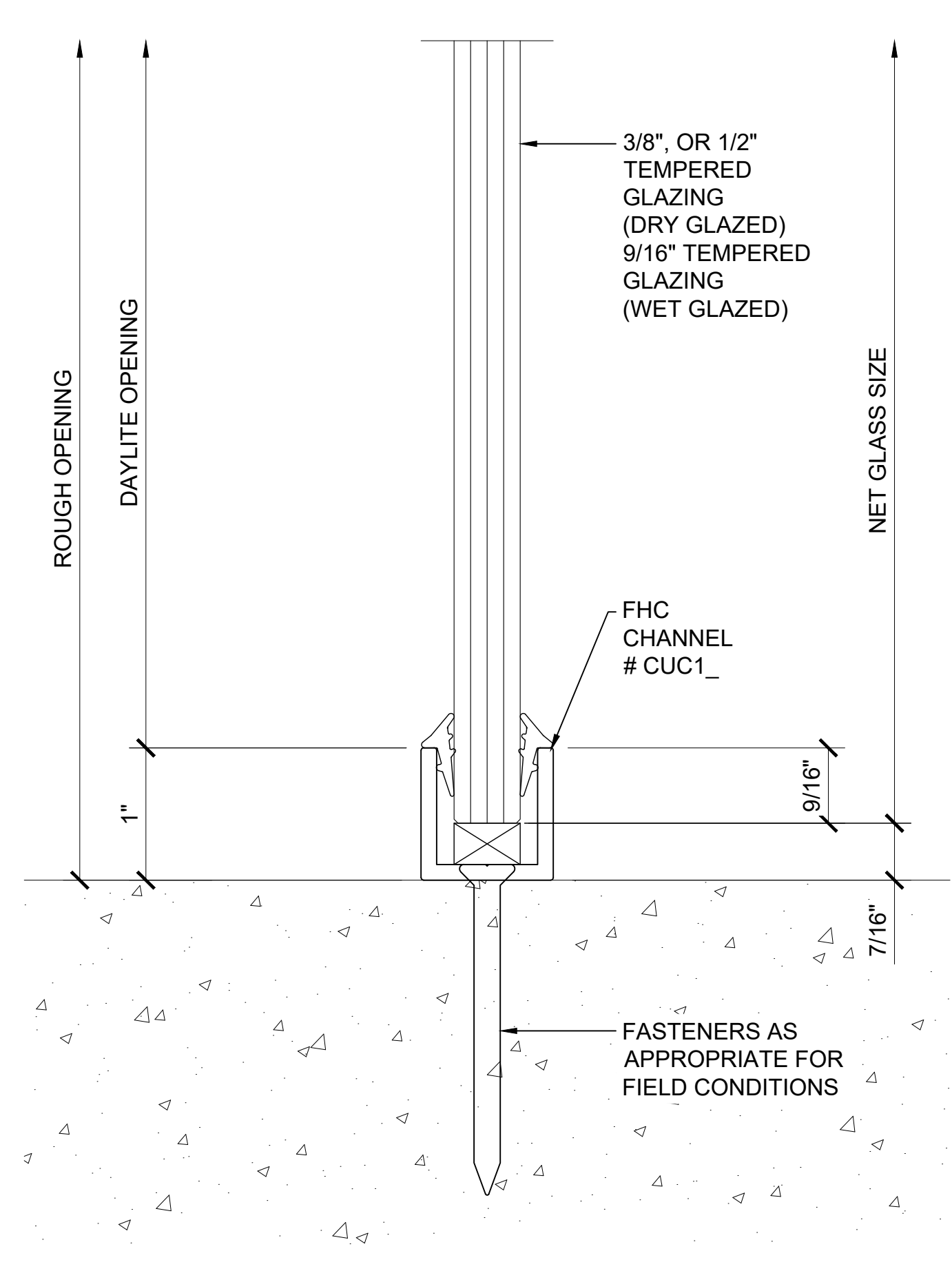
**③ HEAD DETAIL**  
ARCH REF: 1'-0"=1'-0"



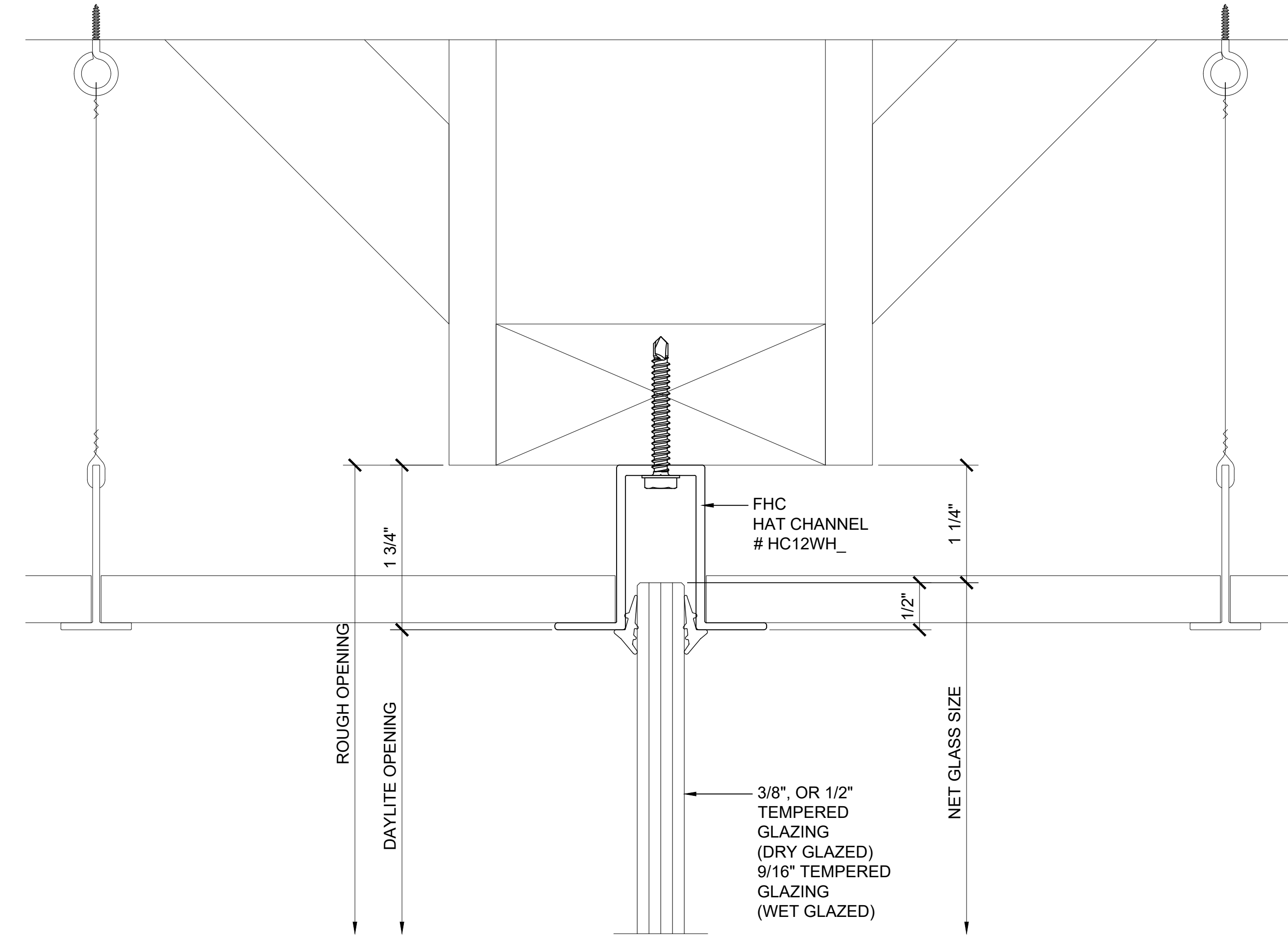
**⑤ HEAD DETAIL**  
ARCH REF: 1'-0"=1'-0"



**② SILL DETAIL**  
ARCH REF: 1'-0"=1'-0"



**④ SILL DETAIL**  
ARCH REF: 1'-0"=1'-0"



**⑥ HEAD DETAIL**  
ARCH REF: 1'-0"=1'-0"

Architect: \_\_\_\_\_  
Job Name: \_\_\_\_\_  
Phone: \_\_\_\_\_  
Fax: \_\_\_\_\_  
Contact: \_\_\_\_\_

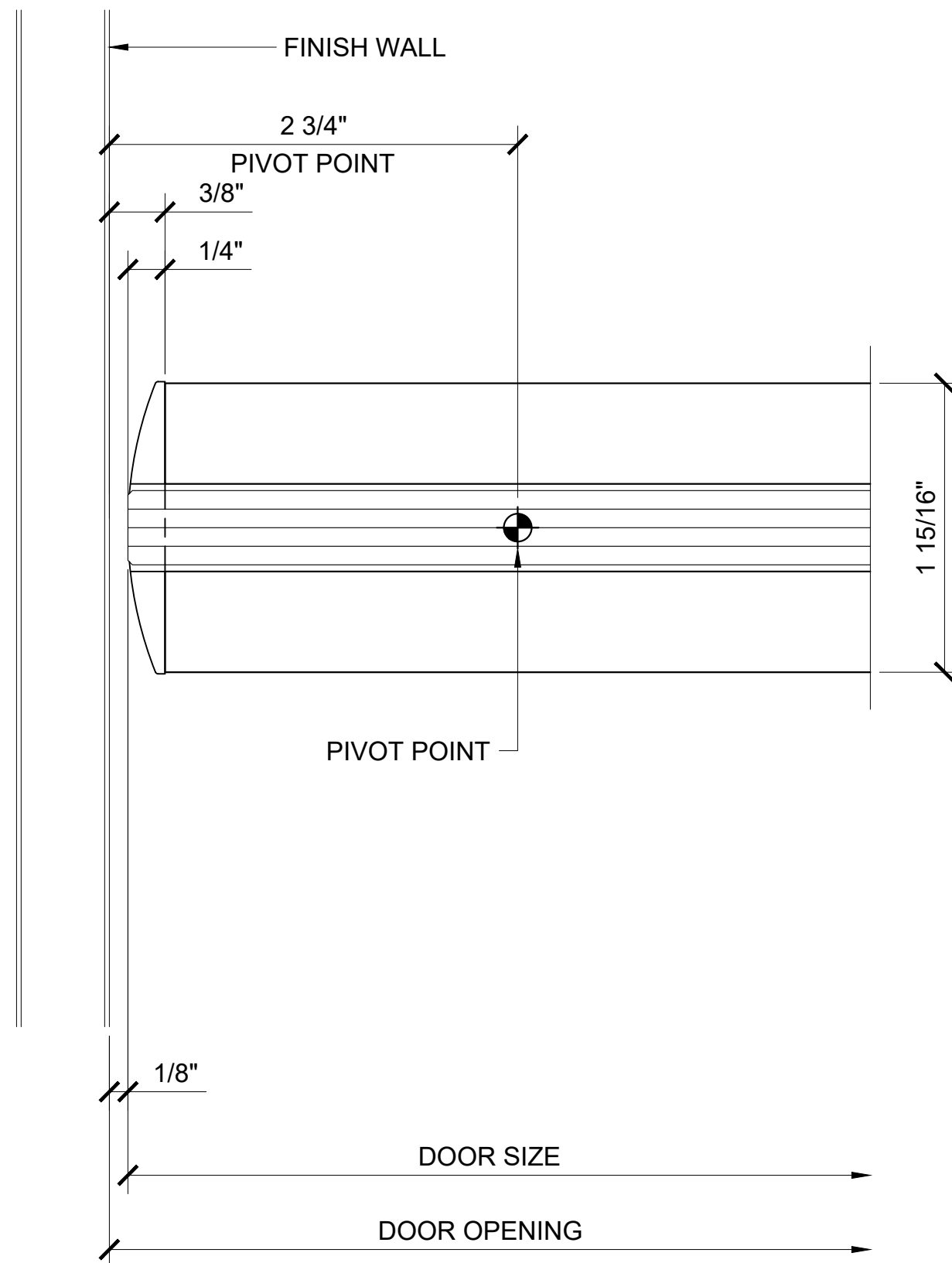
Customer: \_\_\_\_\_  
Job Name: \_\_\_\_\_  
Phone: \_\_\_\_\_  
Fax: \_\_\_\_\_  
Contact: \_\_\_\_\_

Customer: \_\_\_\_\_  
Job Name: \_\_\_\_\_  
Phone: \_\_\_\_\_  
Fax: \_\_\_\_\_  
Contact: \_\_\_\_\_

REV#	DATE	DRAWN BY
0	03/26/20	AAD
1		
2		
3		
4		
5		
6		

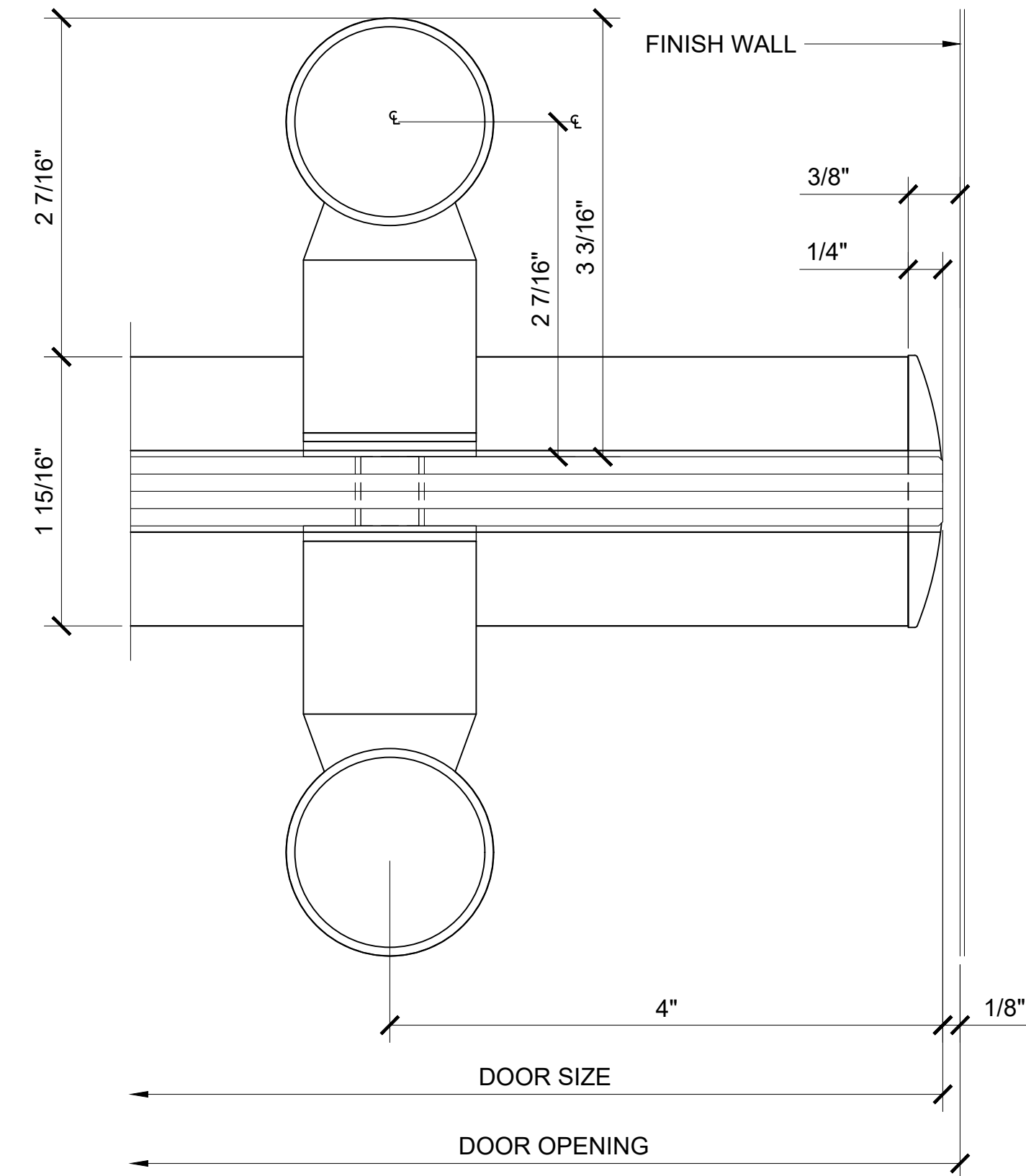
Drawn By: AAD  
Checked By: PM  
Date: 00/00/19  
Scale: AS NOTED  
Project #: 000000





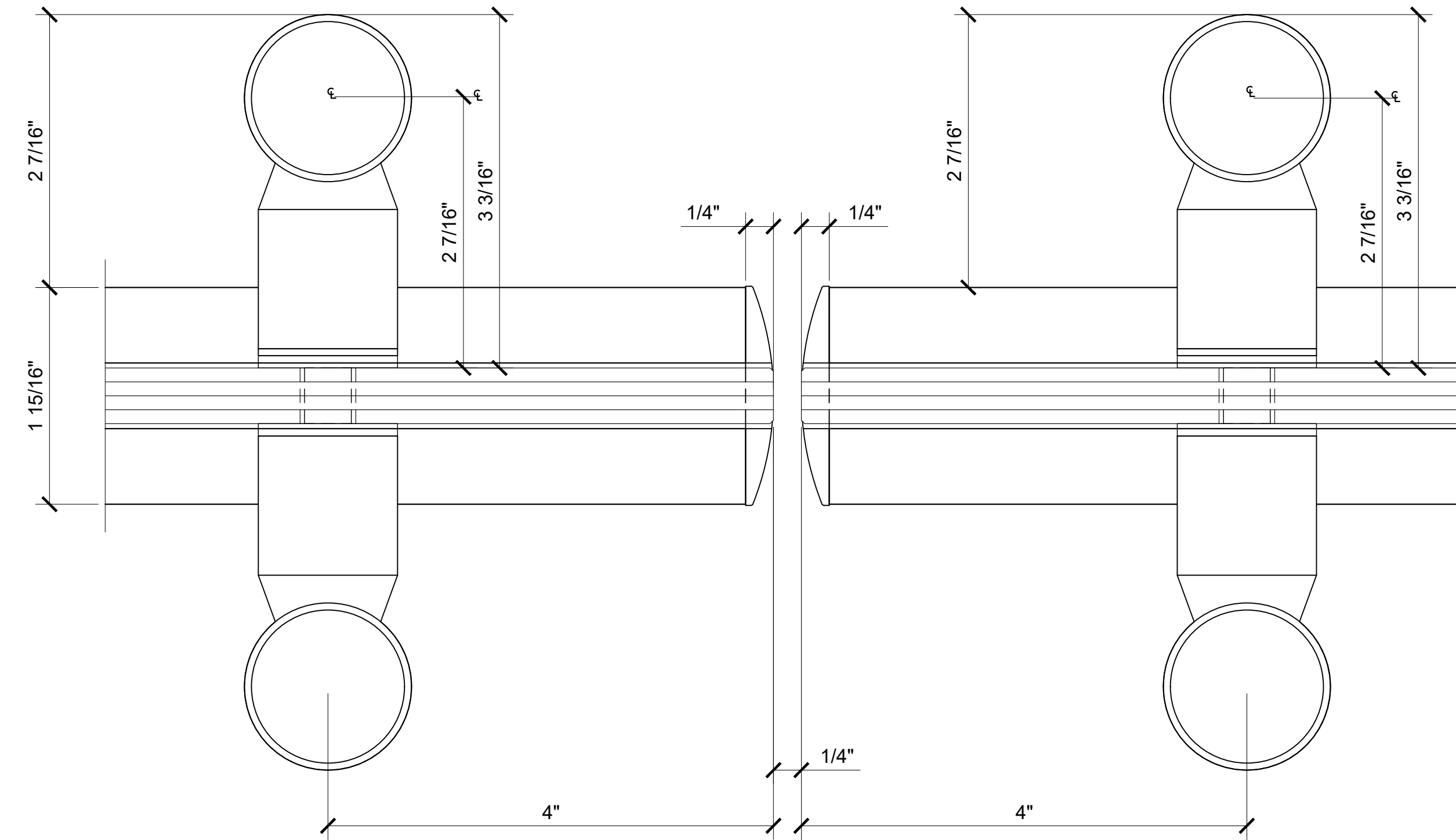
① JAMB DETAIL

ARCH REF: 1'-0"=1'-0"



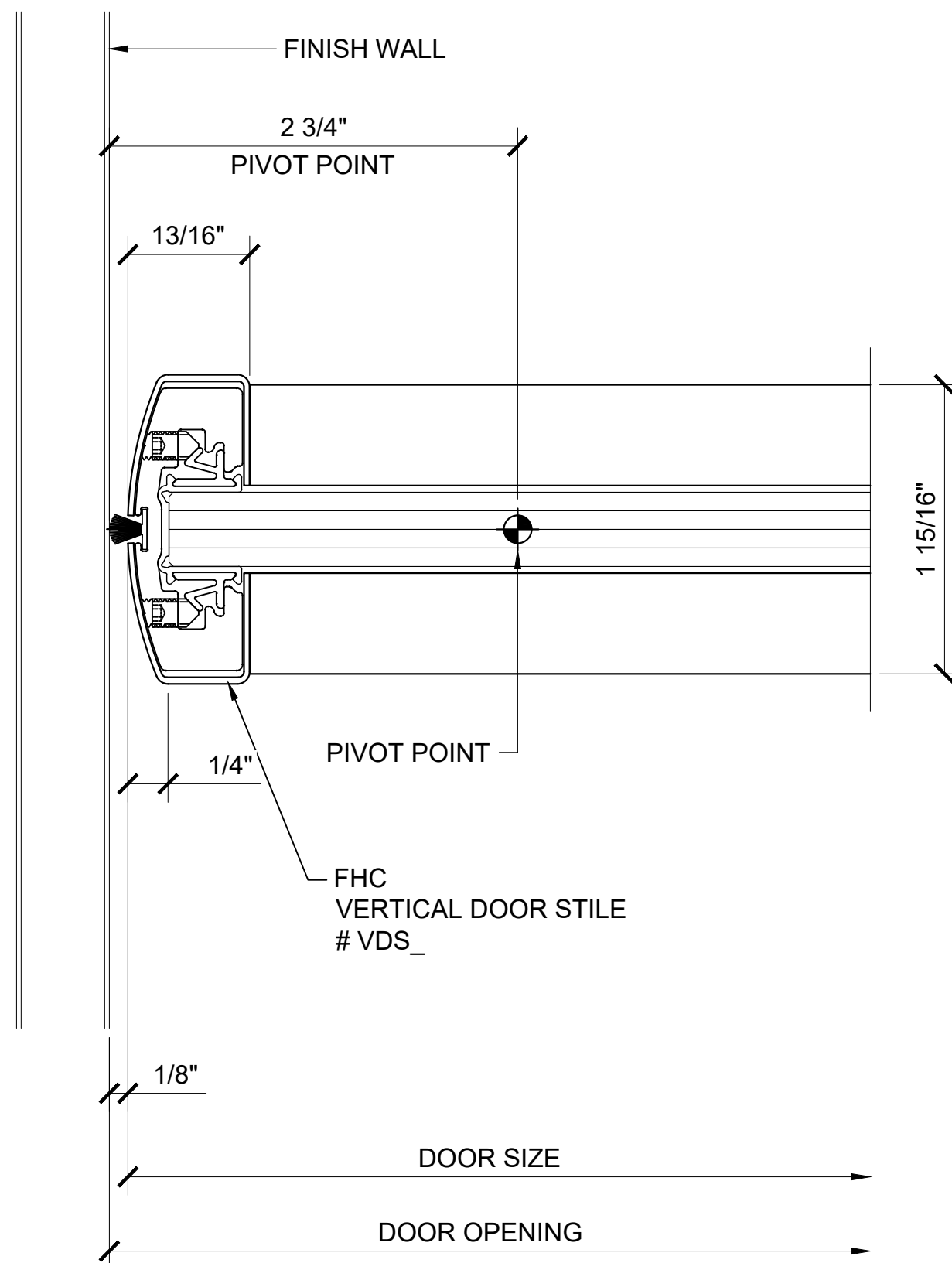
② JAMB DETAIL

ARCH REF: 1'-0"=1'-0"



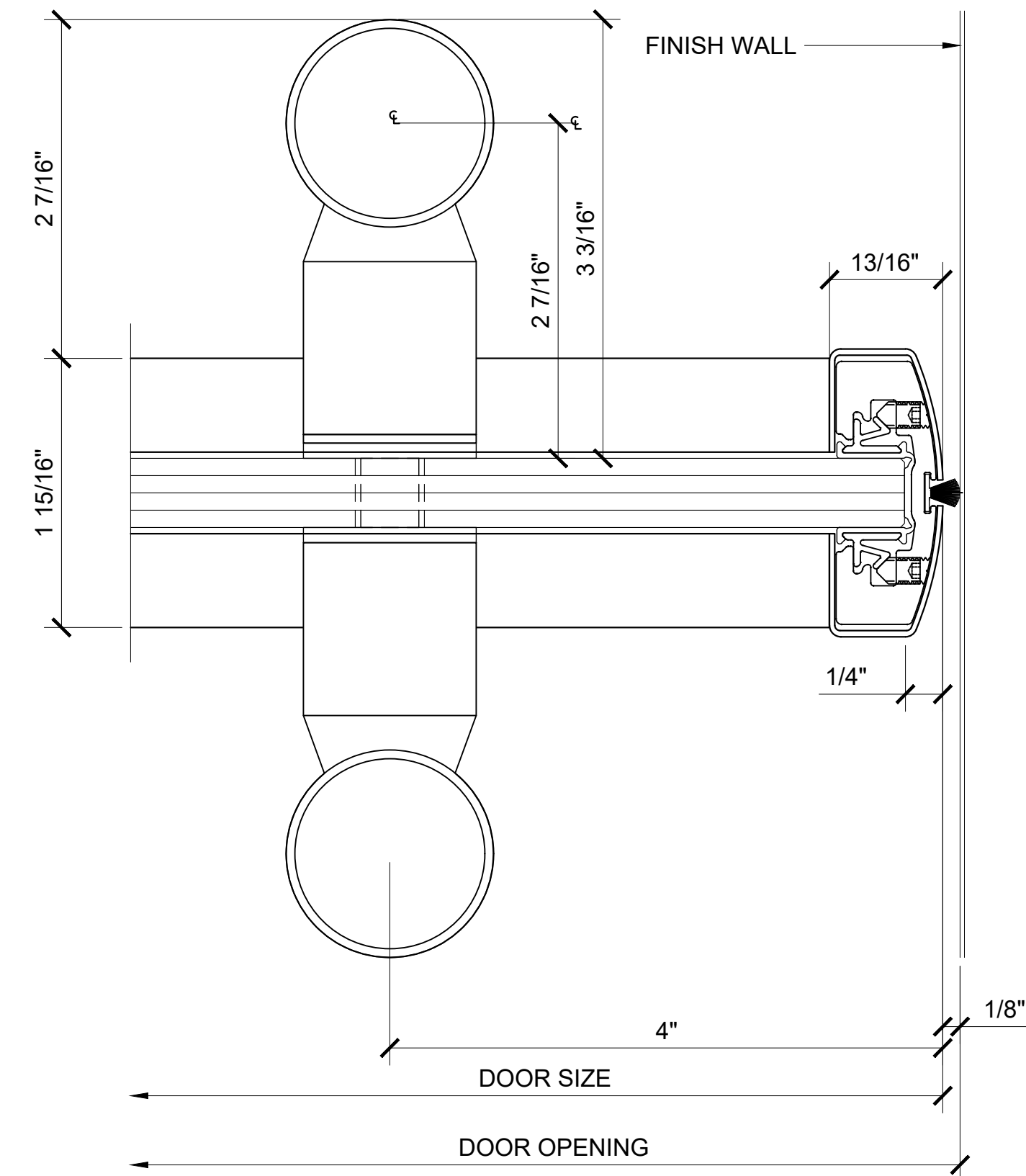
③ MEETING DETAIL

ARCH REF: 1'-0"=1'-0"



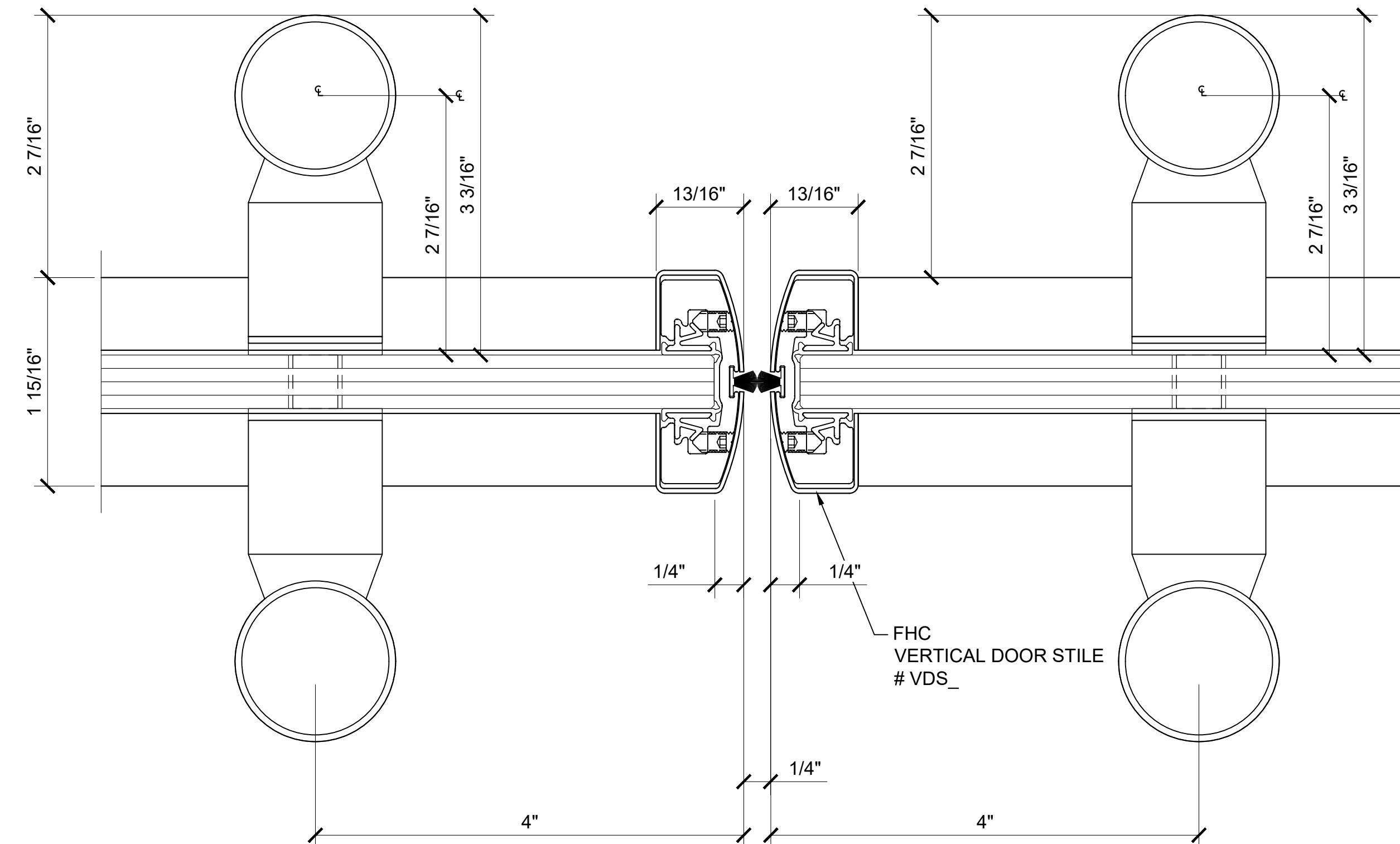
④ JAMB DETAIL

ARCH REF: 1'-0"=1'-0"



⑤ JAMB DETAIL

ARCH REF: 1'-0"=1'-0"



⑥ MEETING DETAIL

ARCH REF: 1'-0"=1'-0"

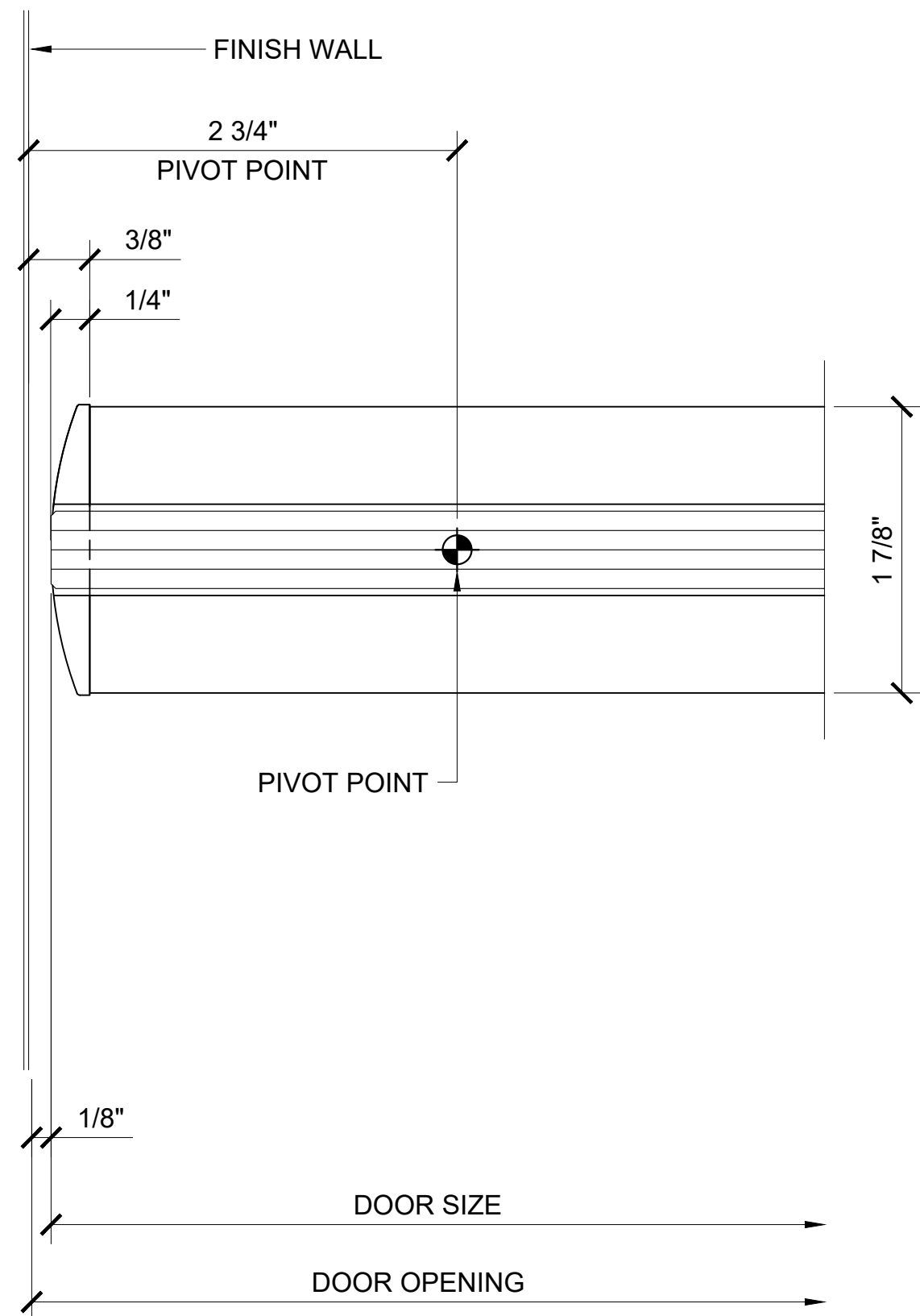
Architect: \_\_\_\_\_ Phone: \_\_\_\_\_  
 Job Name: \_\_\_\_\_ Fax: \_\_\_\_\_  
 Contact: \_\_\_\_\_

Customer: \_\_\_\_\_ Phone: \_\_\_\_\_  
 Job Name: \_\_\_\_\_ Fax: \_\_\_\_\_  
 Contact: \_\_\_\_\_

REV#	DATE	DRAWN BY
0	03/26/20	AAD
1		
2		
3		
4		
5		
6		

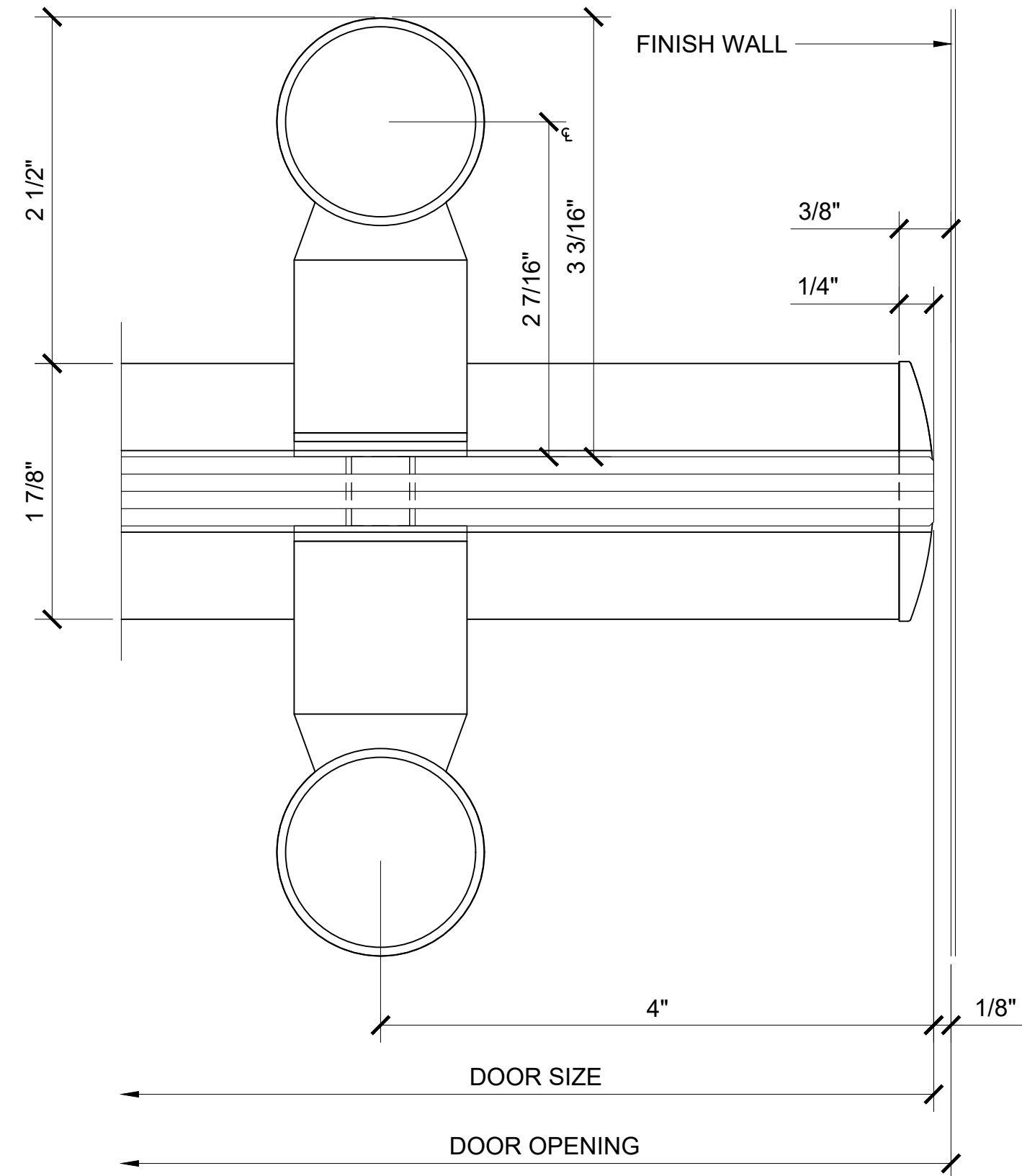
Drawn By: AAD  
 Checked By: PM  
 Date: 00/00/19  
 Scale: AS NOTED  
 Project #: 000000

Sheet No.



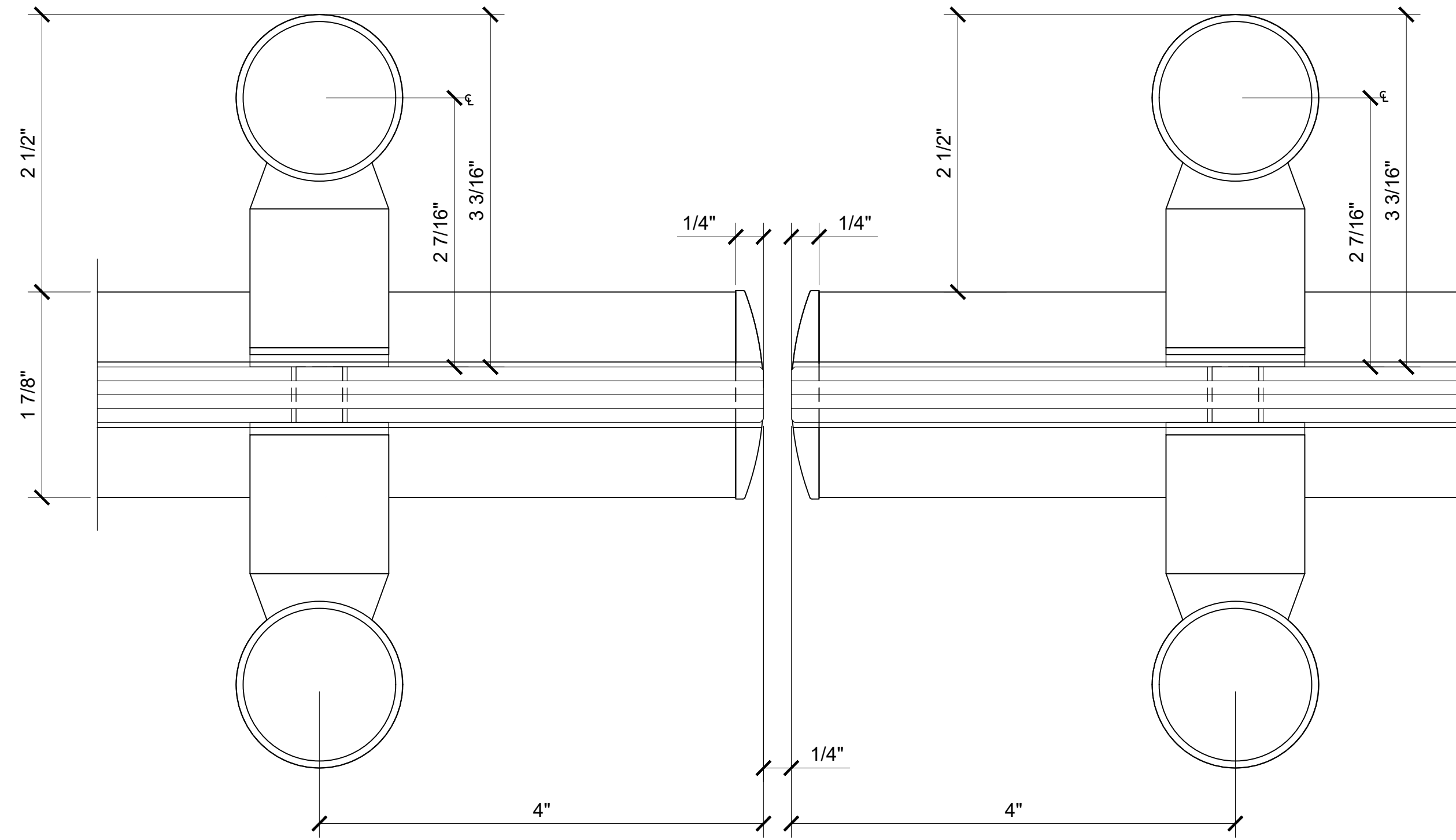
**① JAMB DETAIL**

ARCH REF: 1'-0"=1'-0"



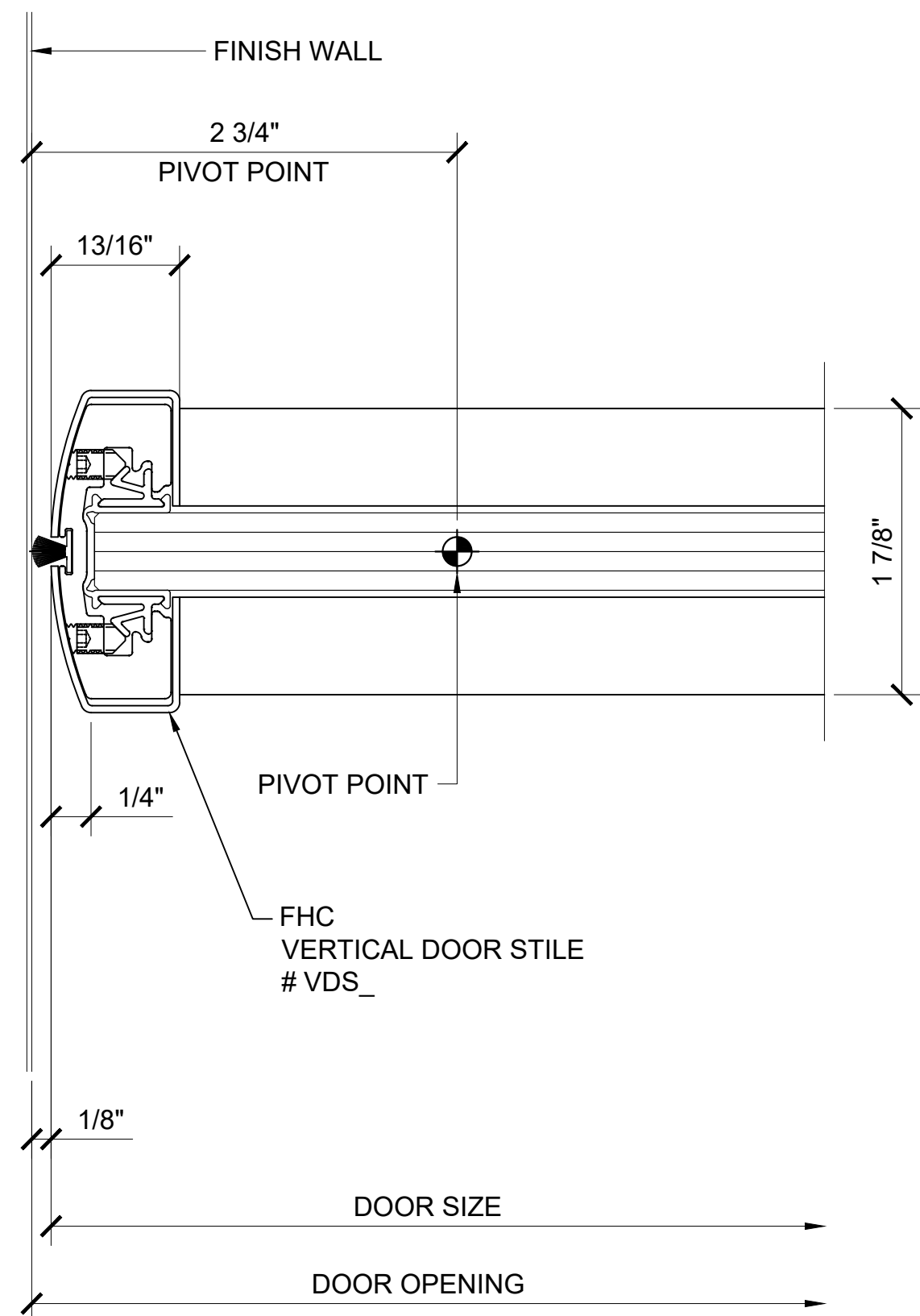
**② JAMB DETAIL**

ARCH REF: 1'-0"=1'-0"



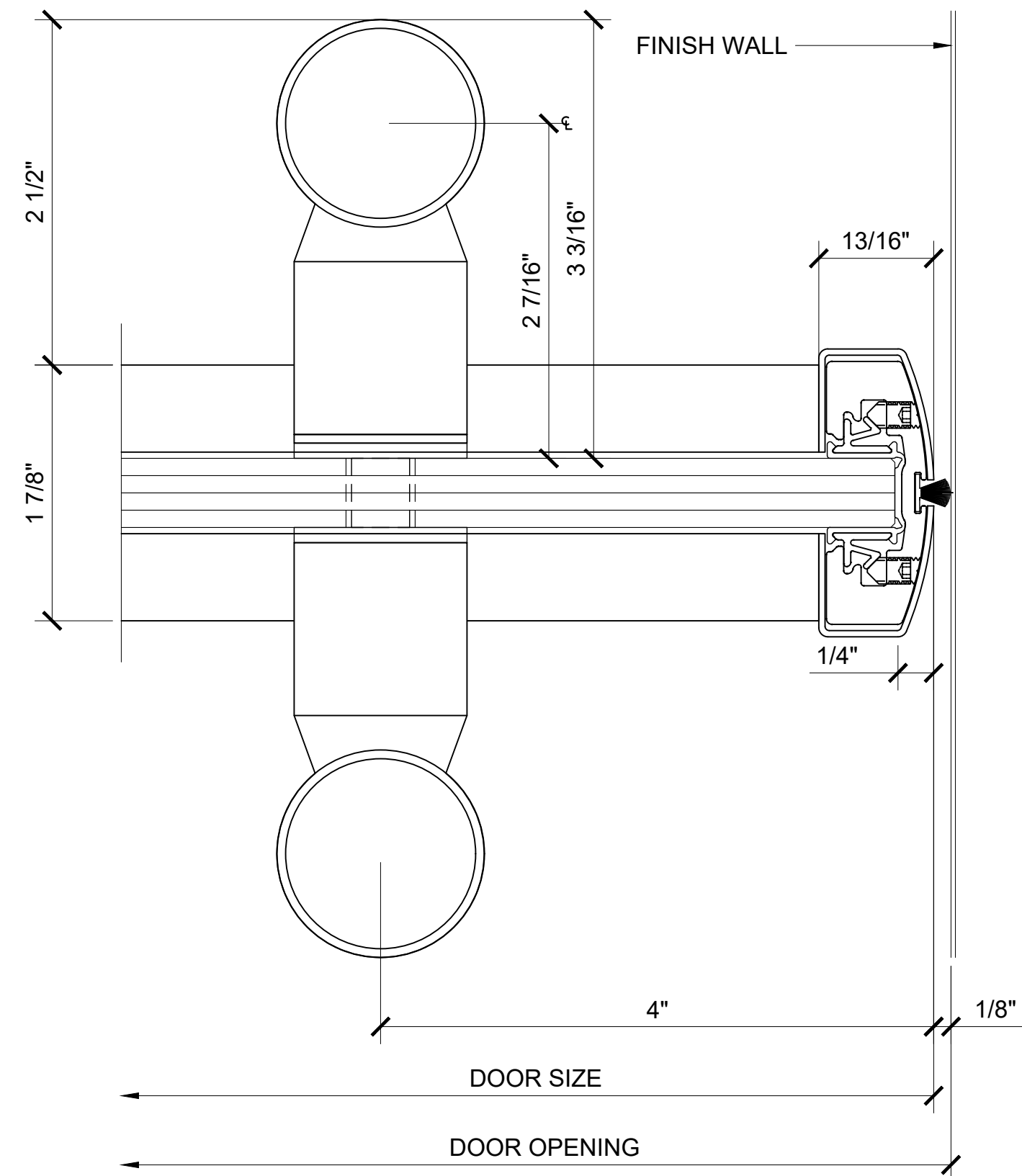
**③ MEETING DETAIL**

ARCH REF: 1'-0"=1'-0"



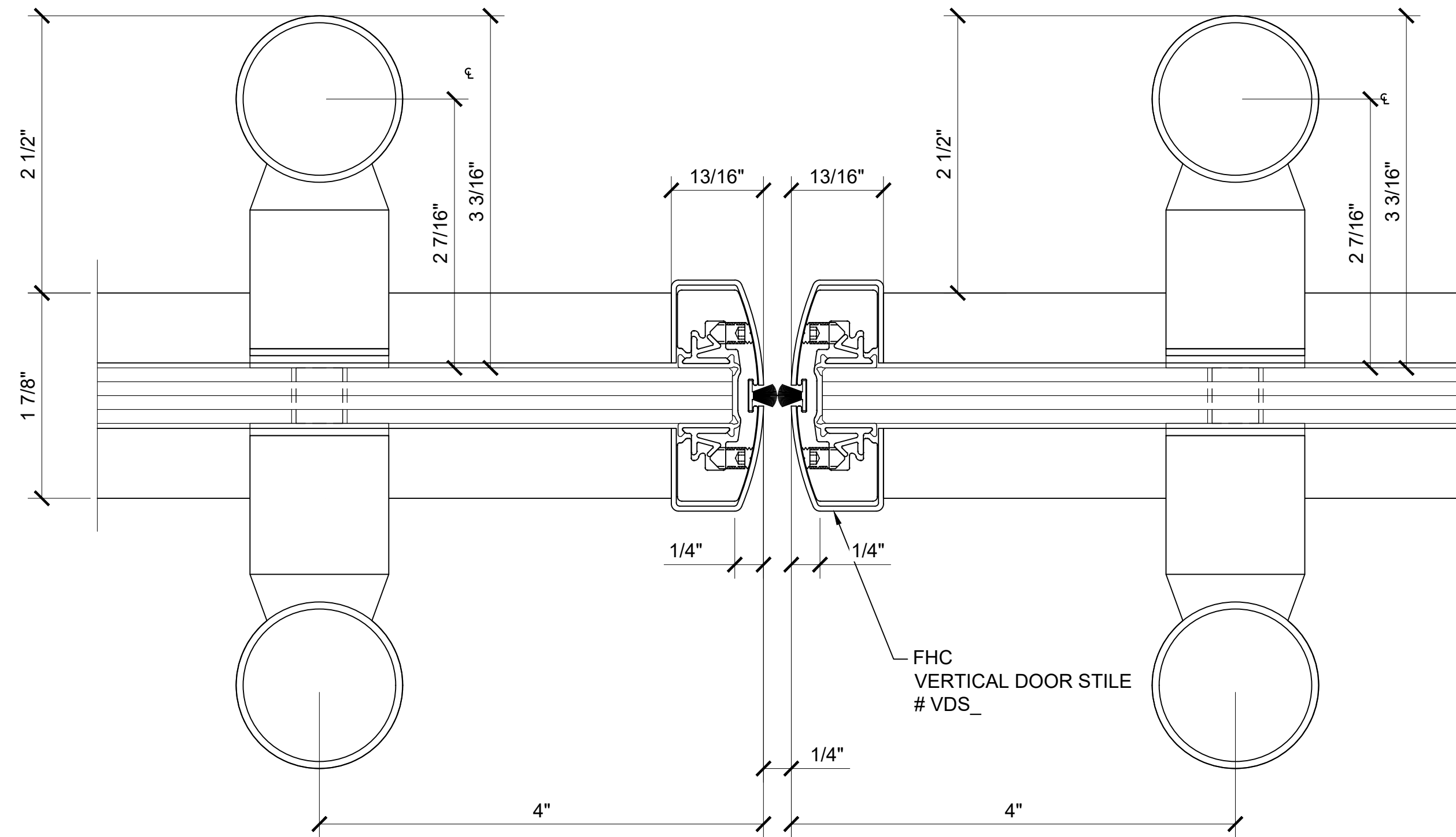
**④ JAMB DETAIL**

ARCH REF: 1'-0"=1'-0"



**⑤ JAMB DETAIL**

ARCH REF: 1'-0"=1'-0"



**⑥ MEETING DETAIL**

ARCH REF: 1'-0"=1'-0"

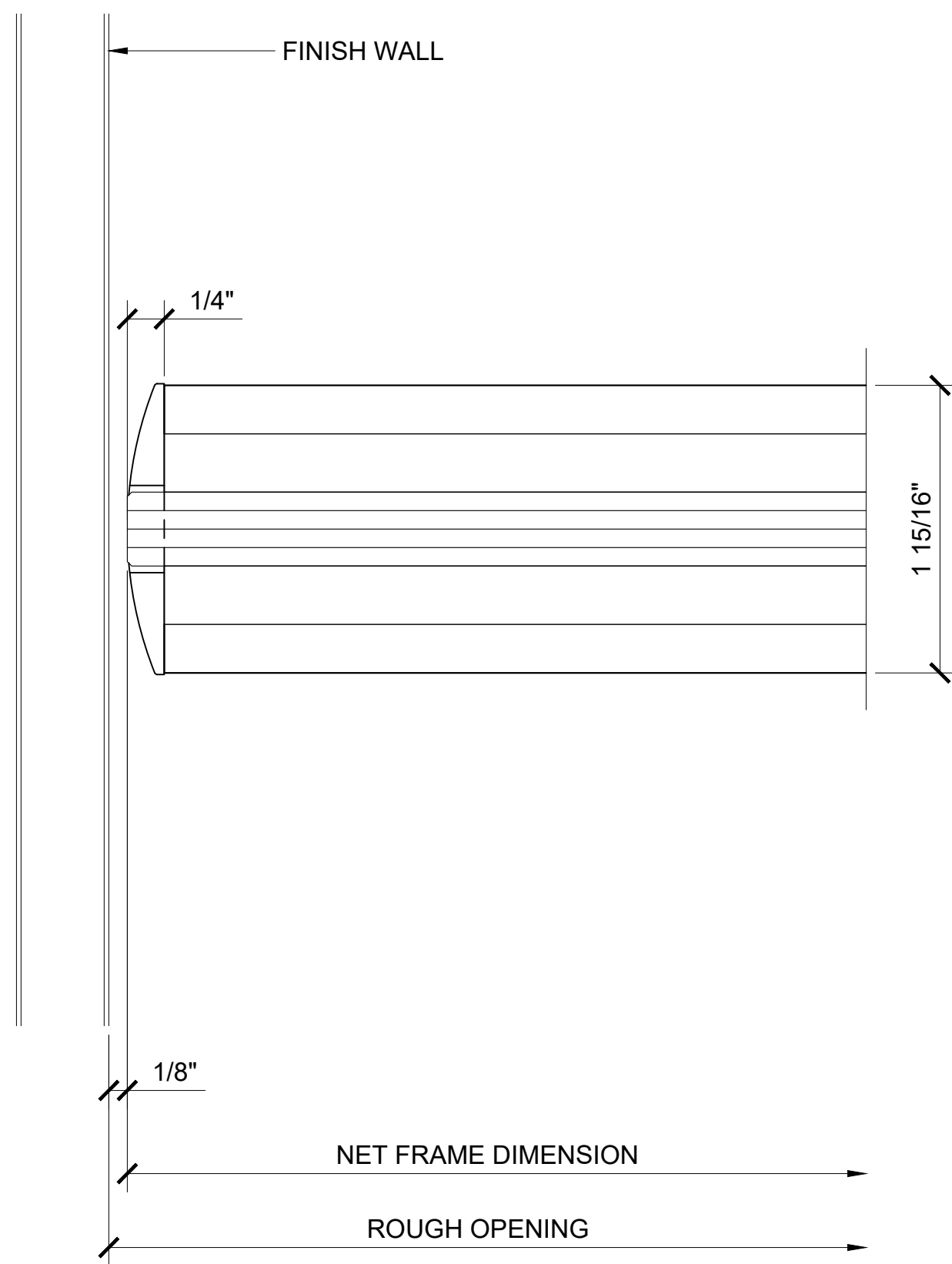
Architect: \_\_\_\_\_ Phone: \_\_\_\_\_  
 Job Name: \_\_\_\_\_ Fax: \_\_\_\_\_  
 Contact: \_\_\_\_\_

Customer: \_\_\_\_\_ Phone: \_\_\_\_\_  
 Job Name: \_\_\_\_\_ Fax: \_\_\_\_\_  
 Contact: \_\_\_\_\_

Drawn By: AAD  
 Checked By: PM  
 Date: 00/00/19  
 Scale: AS NOTED  
 Project #: 000000

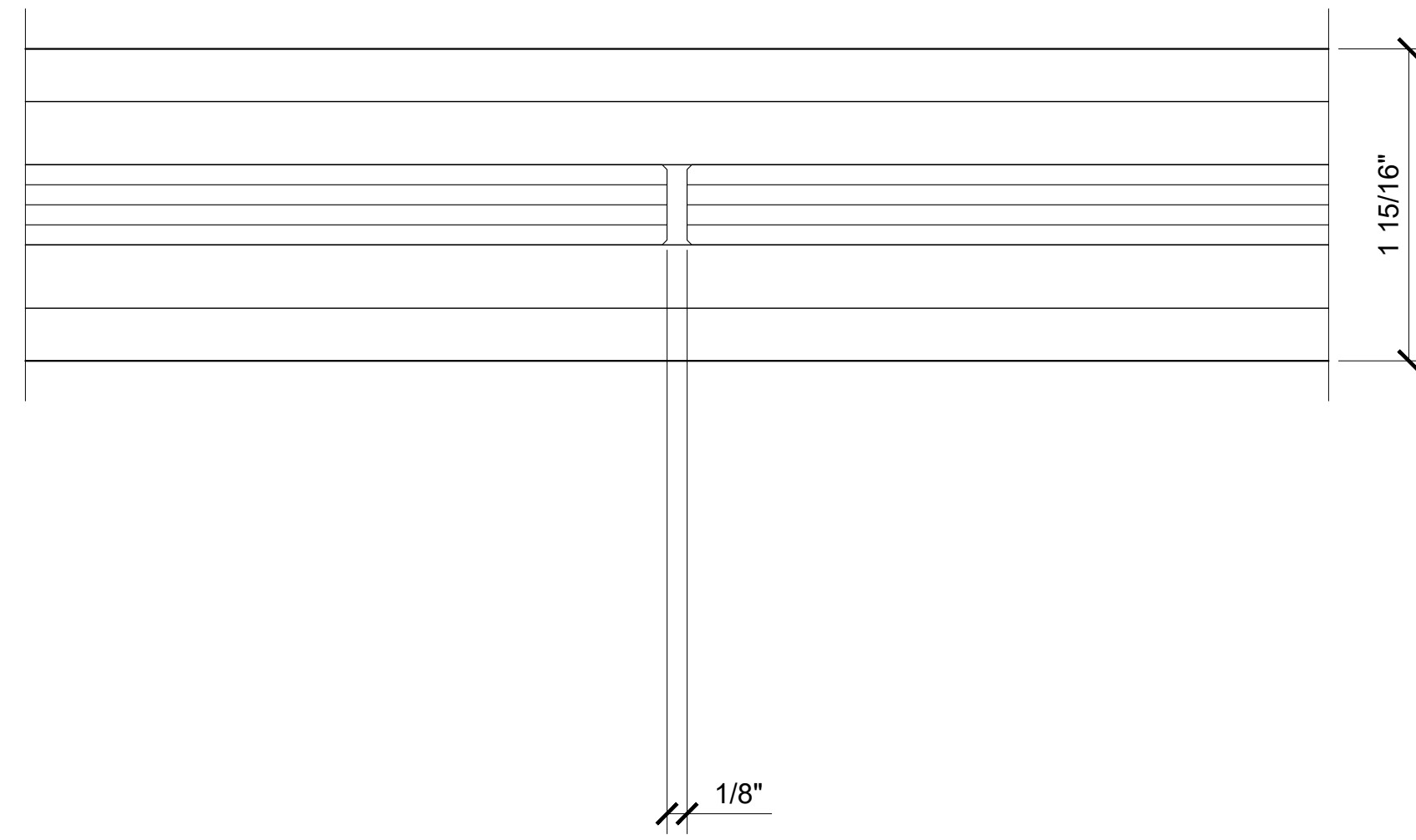
REV#	DATE	DRAWN BY
0	03/26/20	AAD
1		
2		
3		
4		
5		
6		

Sheet No.



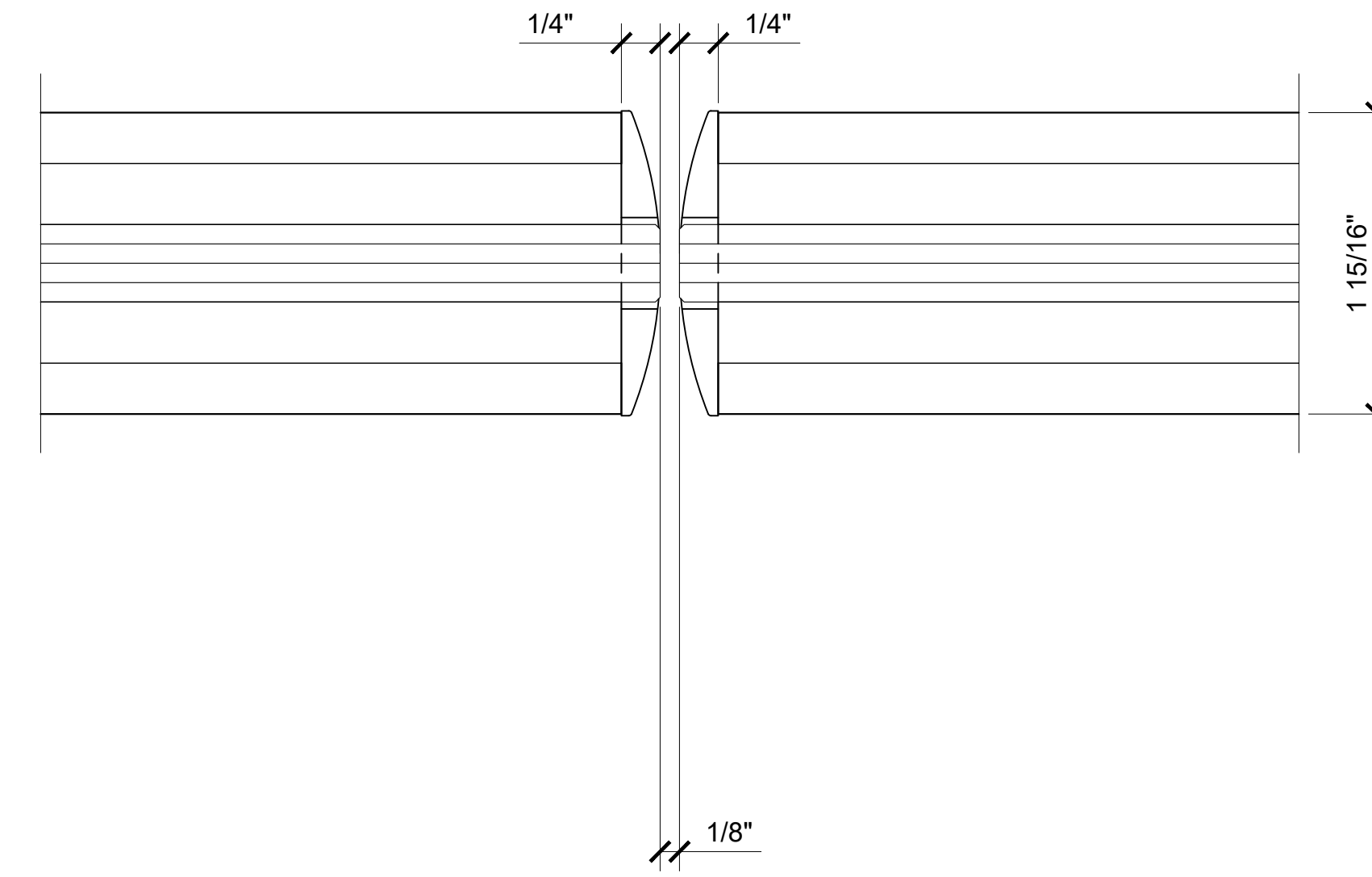
① JAMB DETAIL

ARCH REF: 1'-0"=1'-0"



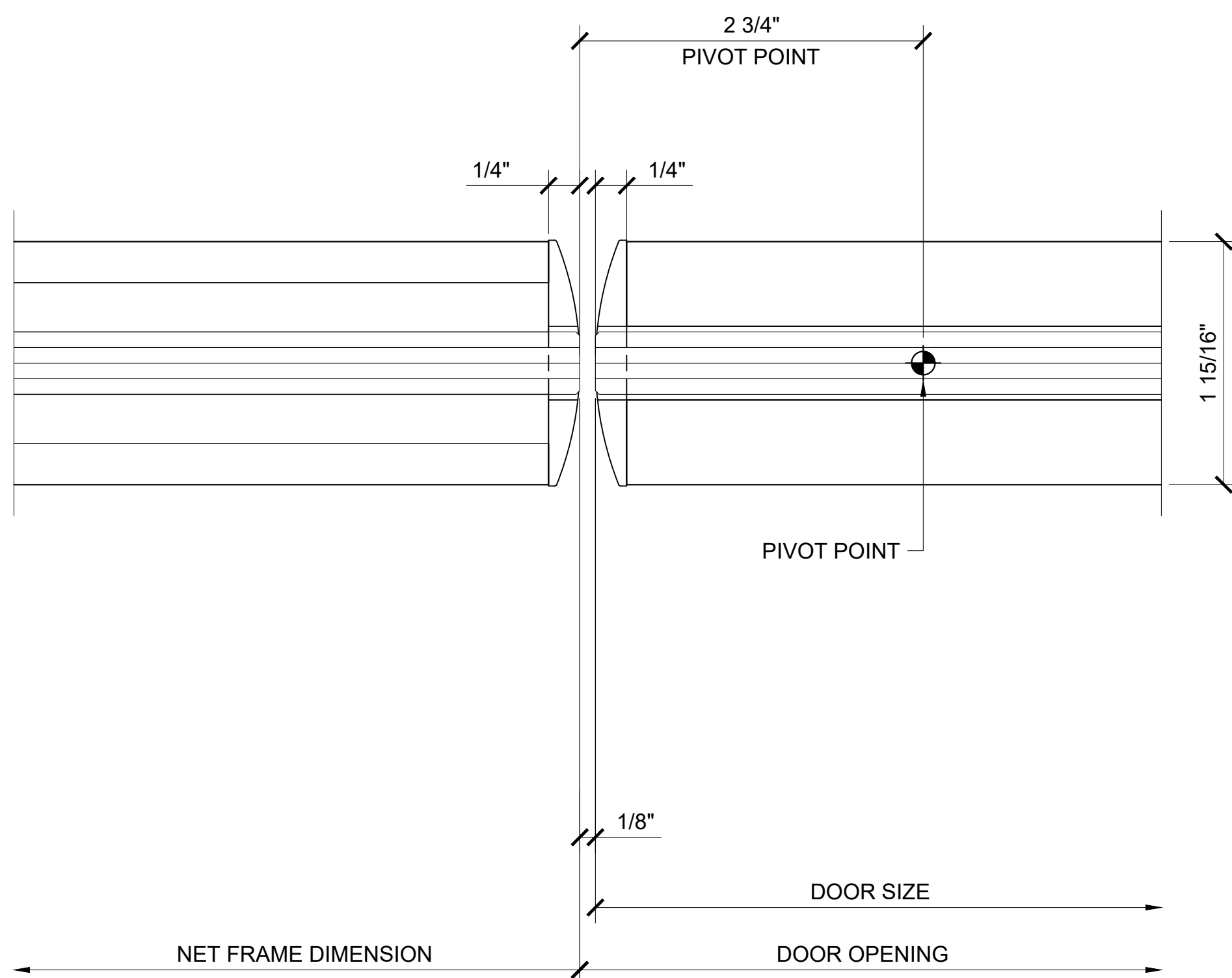
② BUTT JOINT DETAIL

ARCH REF: 1'-0"=1'-0"



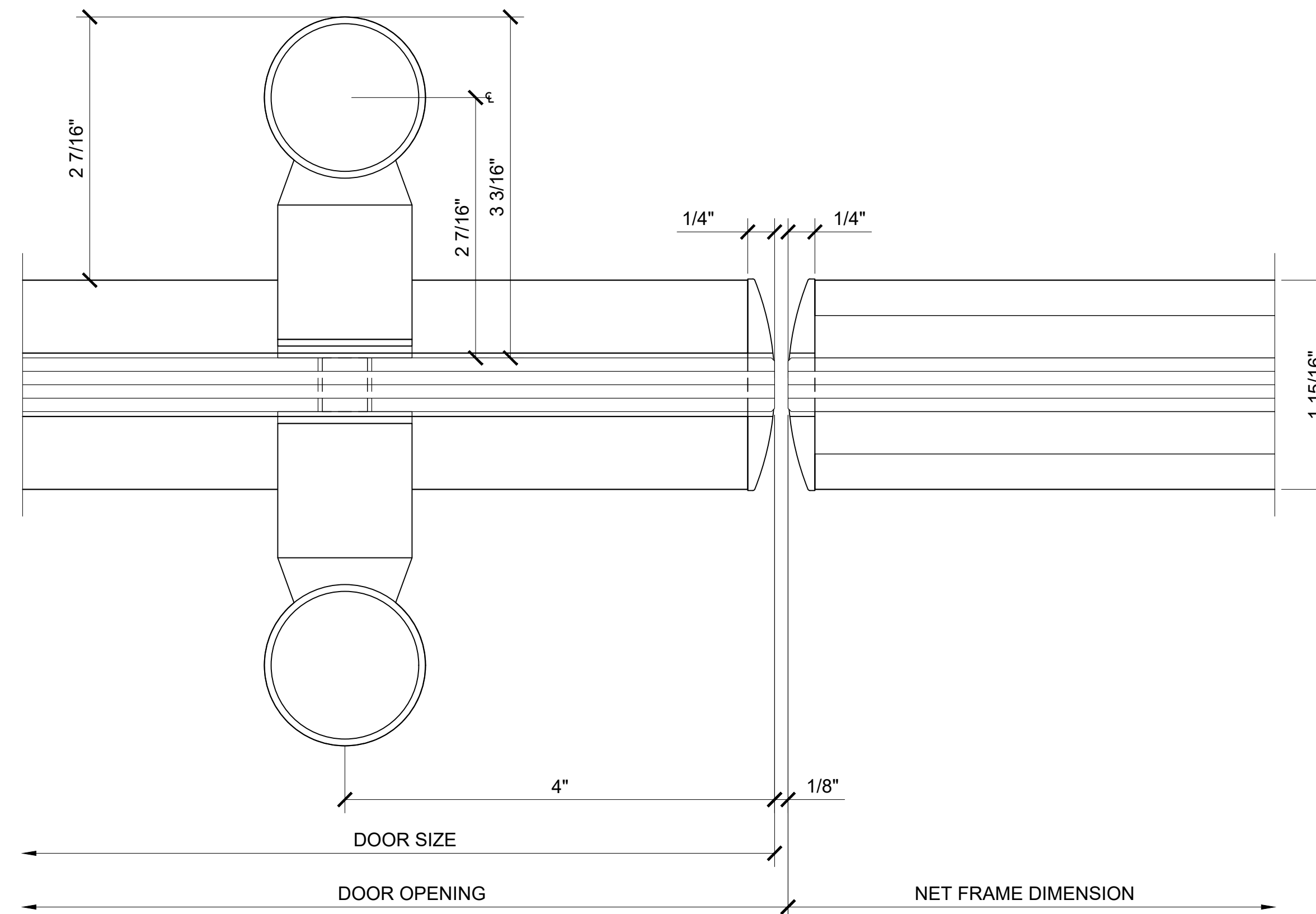
③ MEETING DETAIL

ARCH REF: 1'-0"=1'-0"



④ JAMB DETAIL

ARCH REF: 1'-0"=1'-0"



⑤ JAMB DETAIL

ARCH REF: 1'-0"=1'-0"

Architect:

Phone:  
 Fax:  
 Contact:

Job Name:

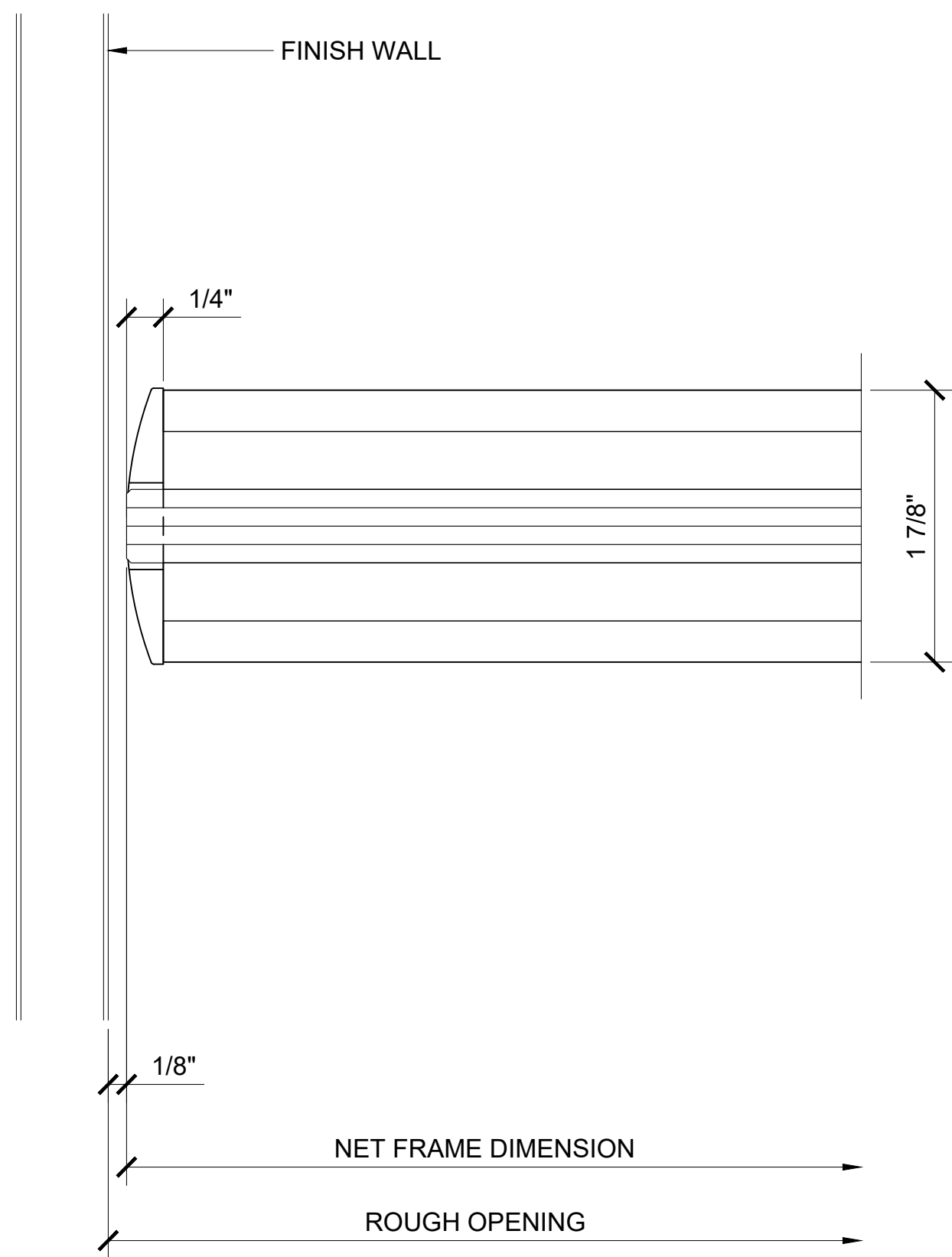
Phone:  
 Fax:  
 Contact:

Customer:

Phone:  
 Fax:  
 Contact:

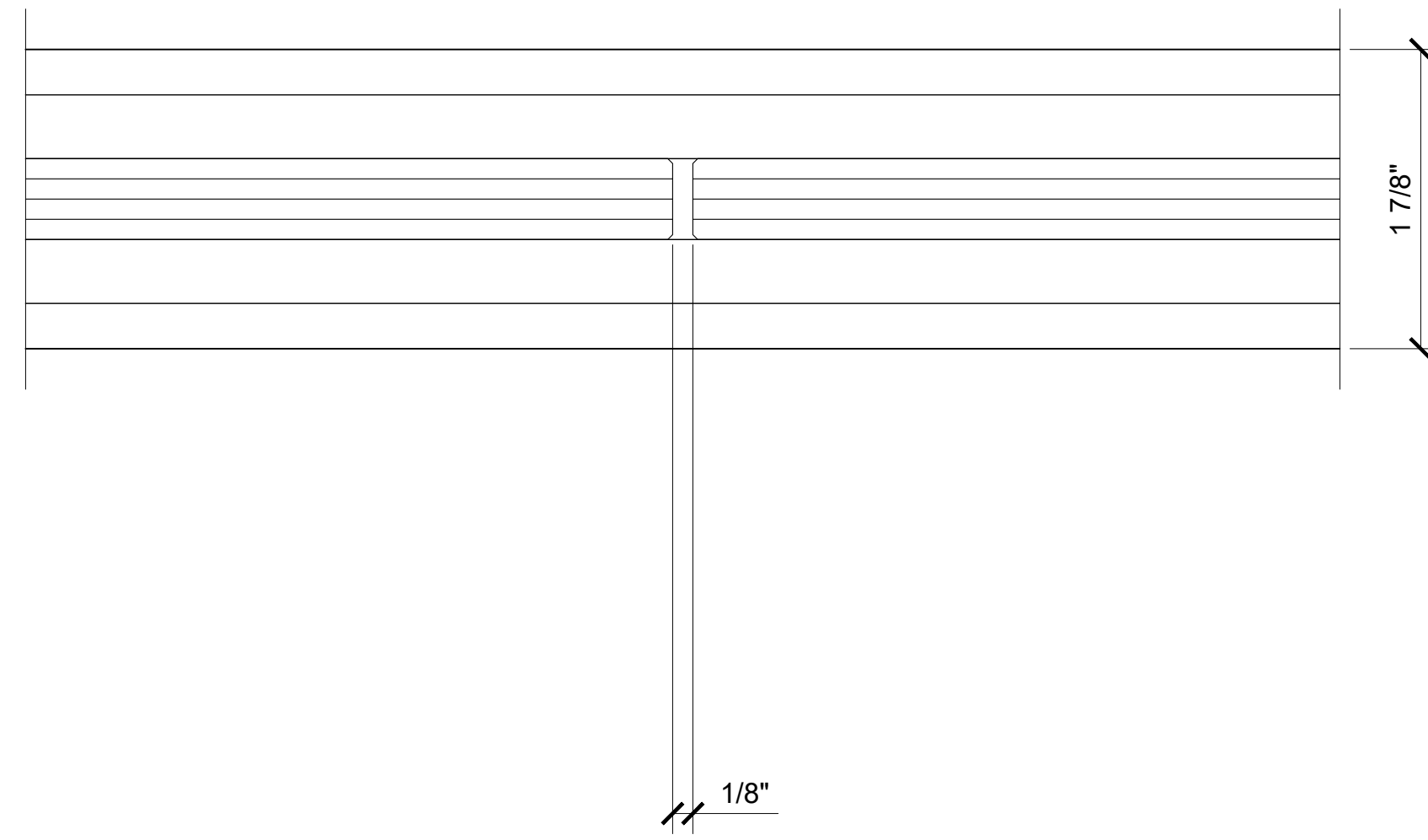
REV#	DATE	DRAWN BY
0	03/26/20	AAD
1		
2		
3		
4		
5		
6		

Drawn By: AAD  
 Checked By: PM  
 Date: 00/00/19  
 Scale: AS NOTED  
 Project #: 000000



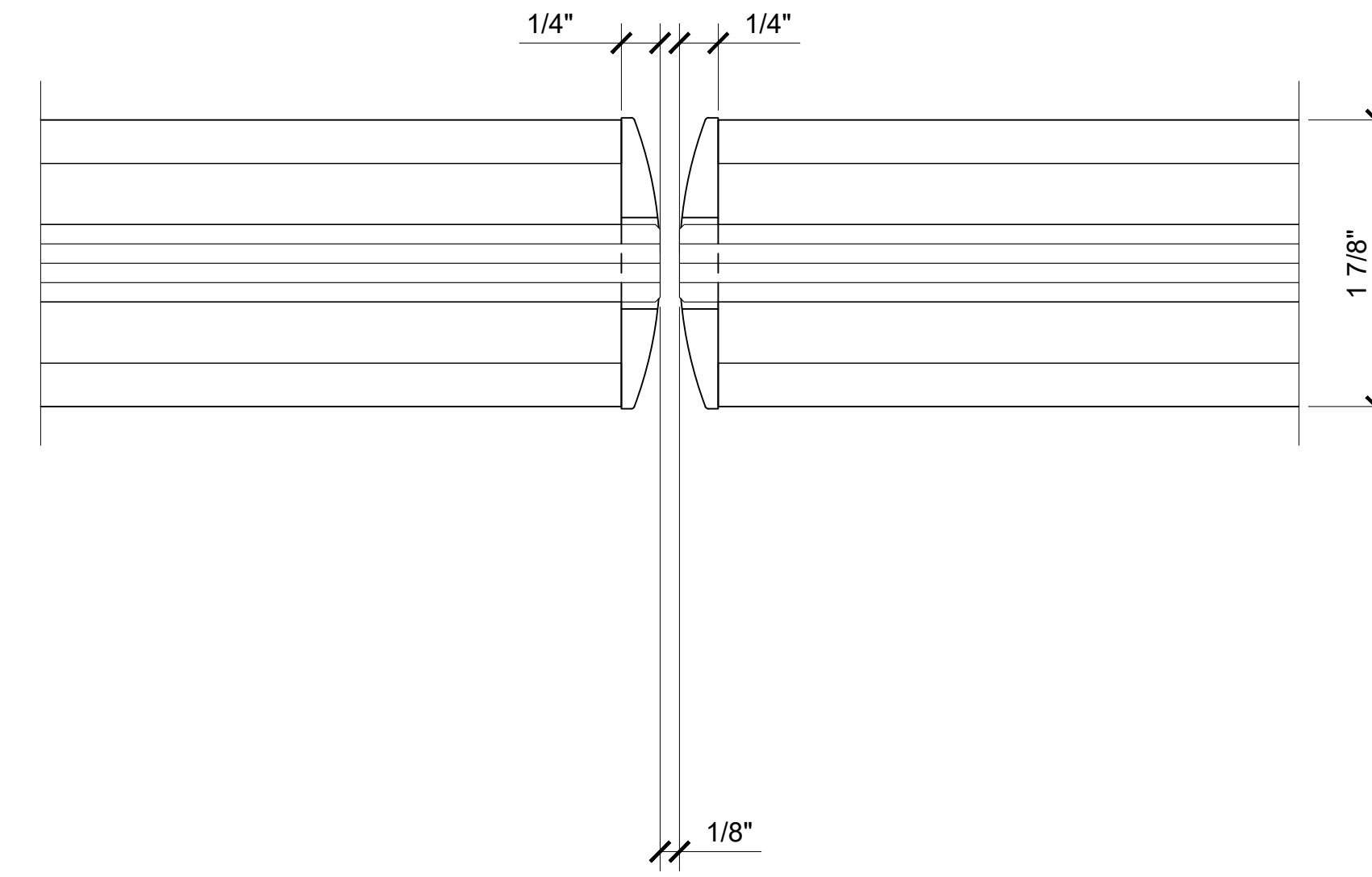
① JAMB DETAIL

ARCH REF: 1'-0"=1'-0"



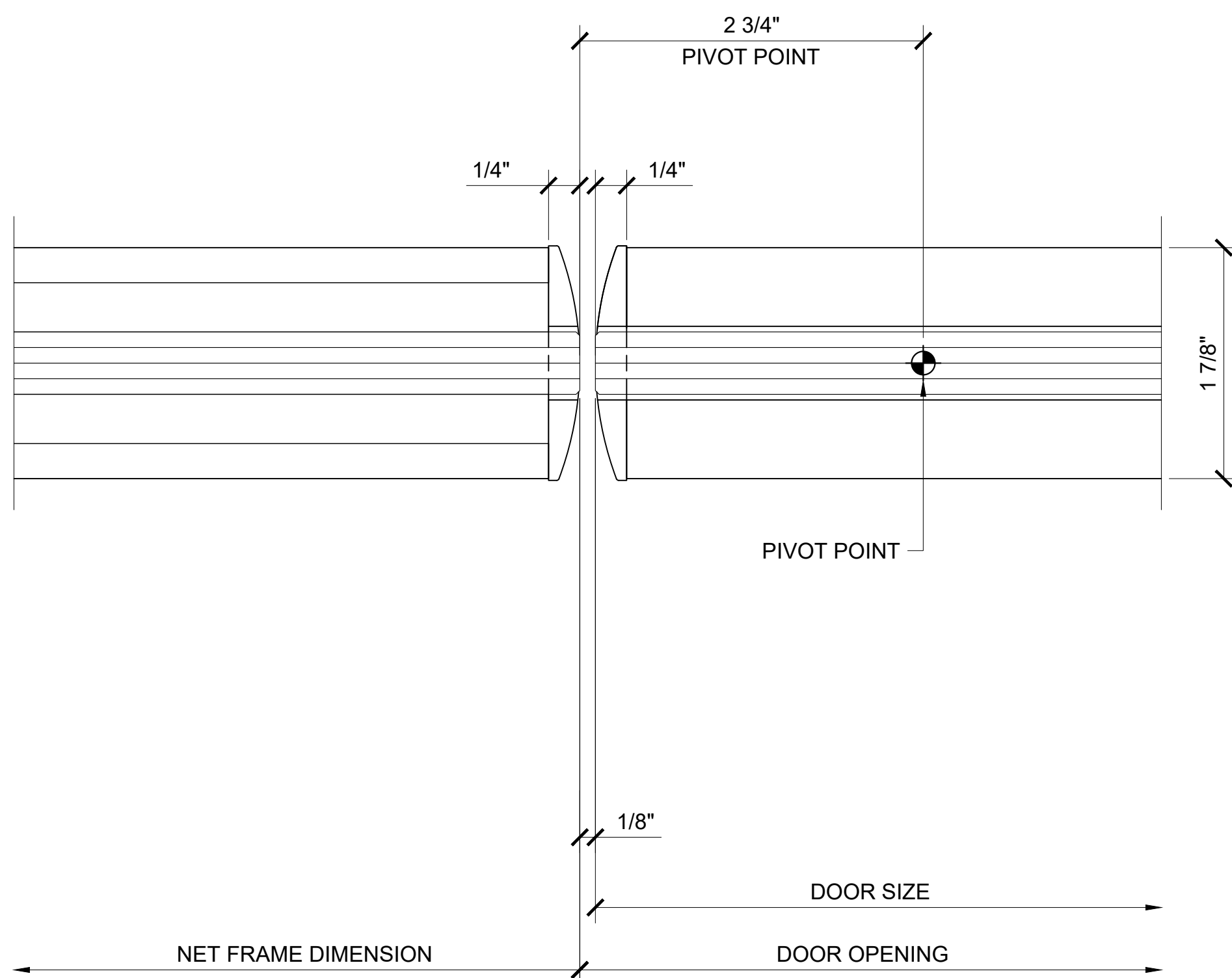
② BUTT JOINT DETAIL

ARCH REF: 1'-0"=1'-0"



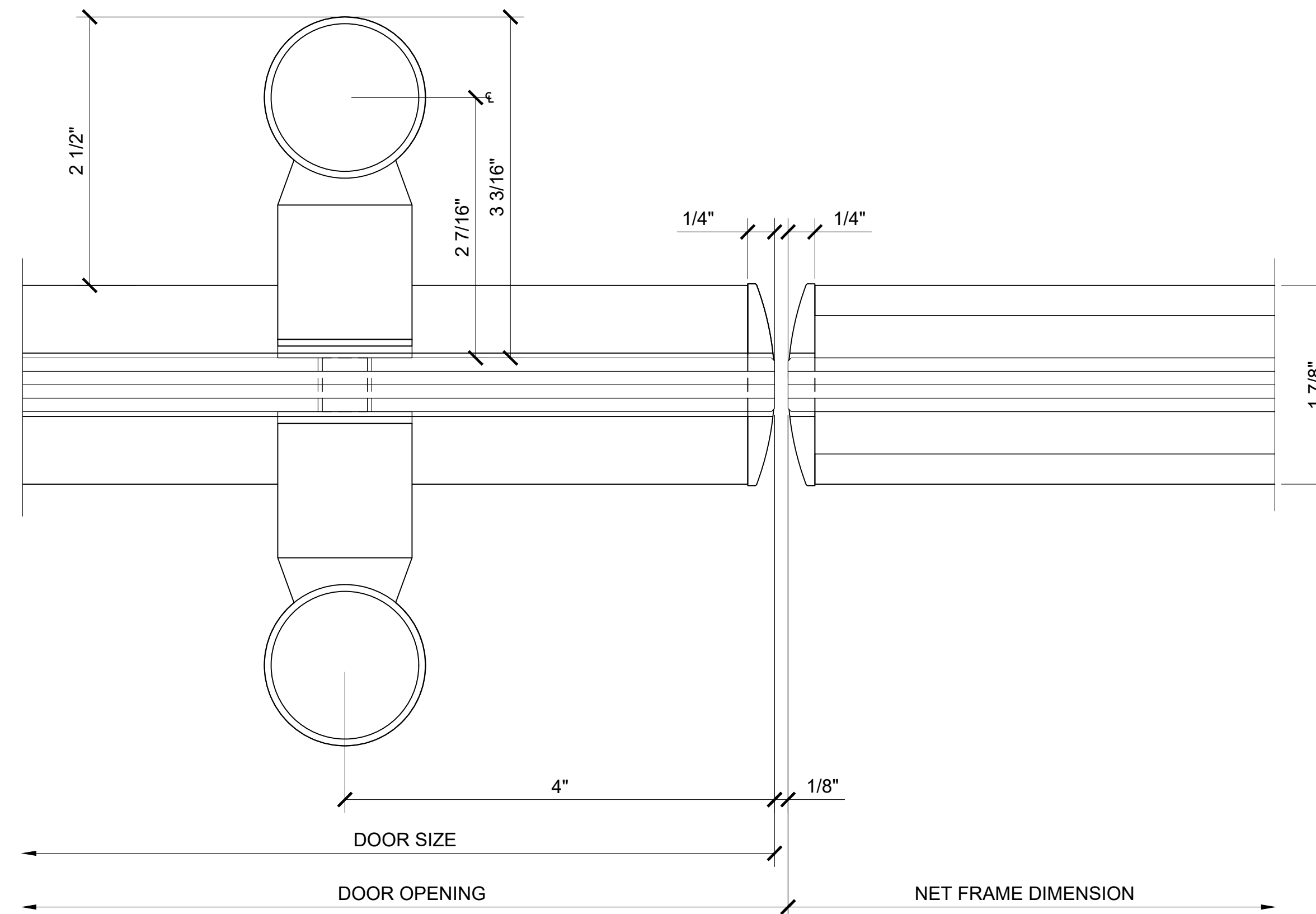
③ MEETING DETAIL

ARCH REF: 1'-0"=1'-0"



④ JAMB DETAIL

ARCH REF: 1'-0"=1'-0"



⑤ JAMB DETAIL

ARCH REF: 1'-0"=1'-0"

Architect:

Phone:  
 Fax:  
 Contact:

Job Name:

Phone:  
 Fax:  
 Contact:

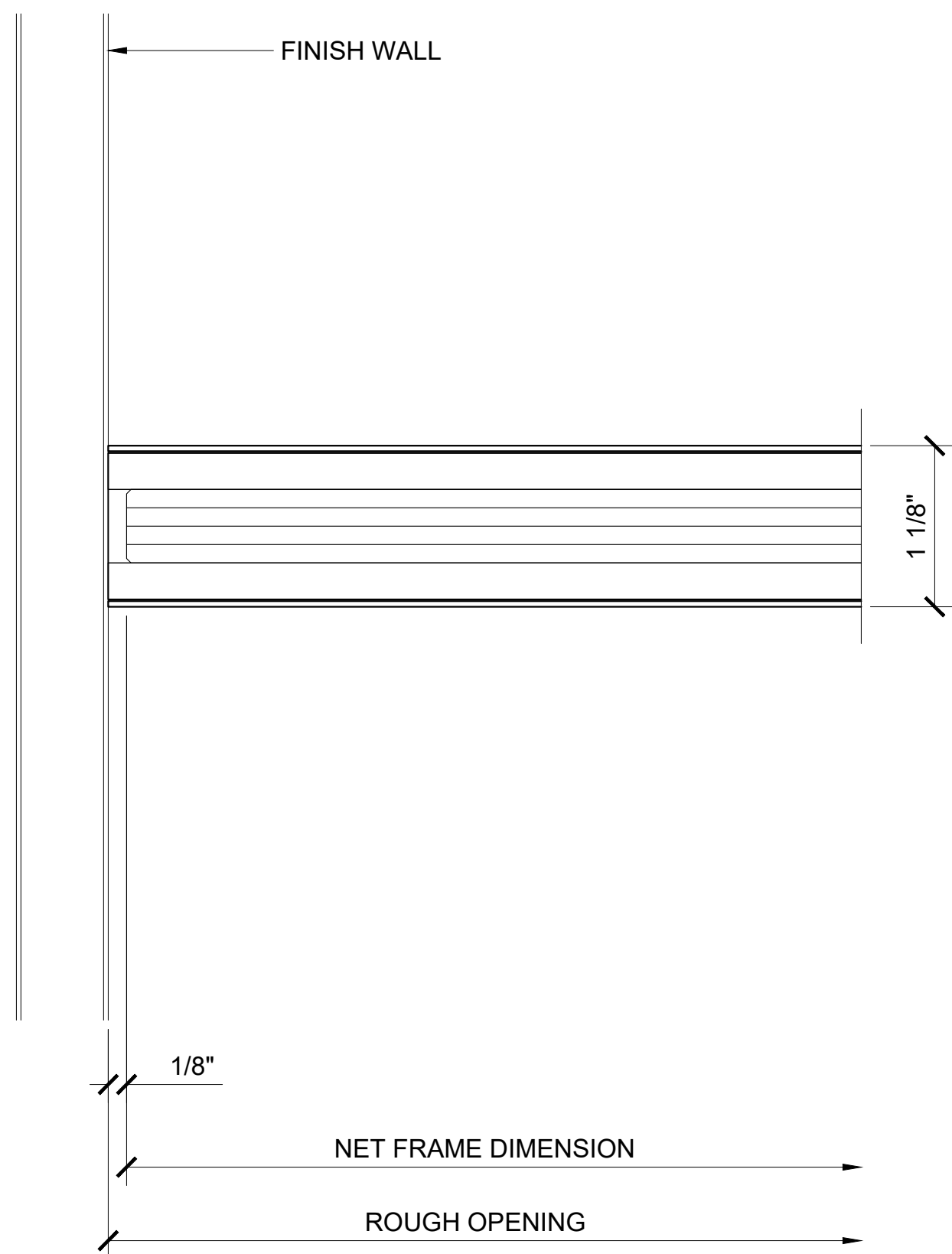
Customer:

Phone:  
 Fax:  
 Contact:

REV#	DATE	DRAWN BY
0	03/26/20	AAD
1		
2		
3		
4		
5		
6		

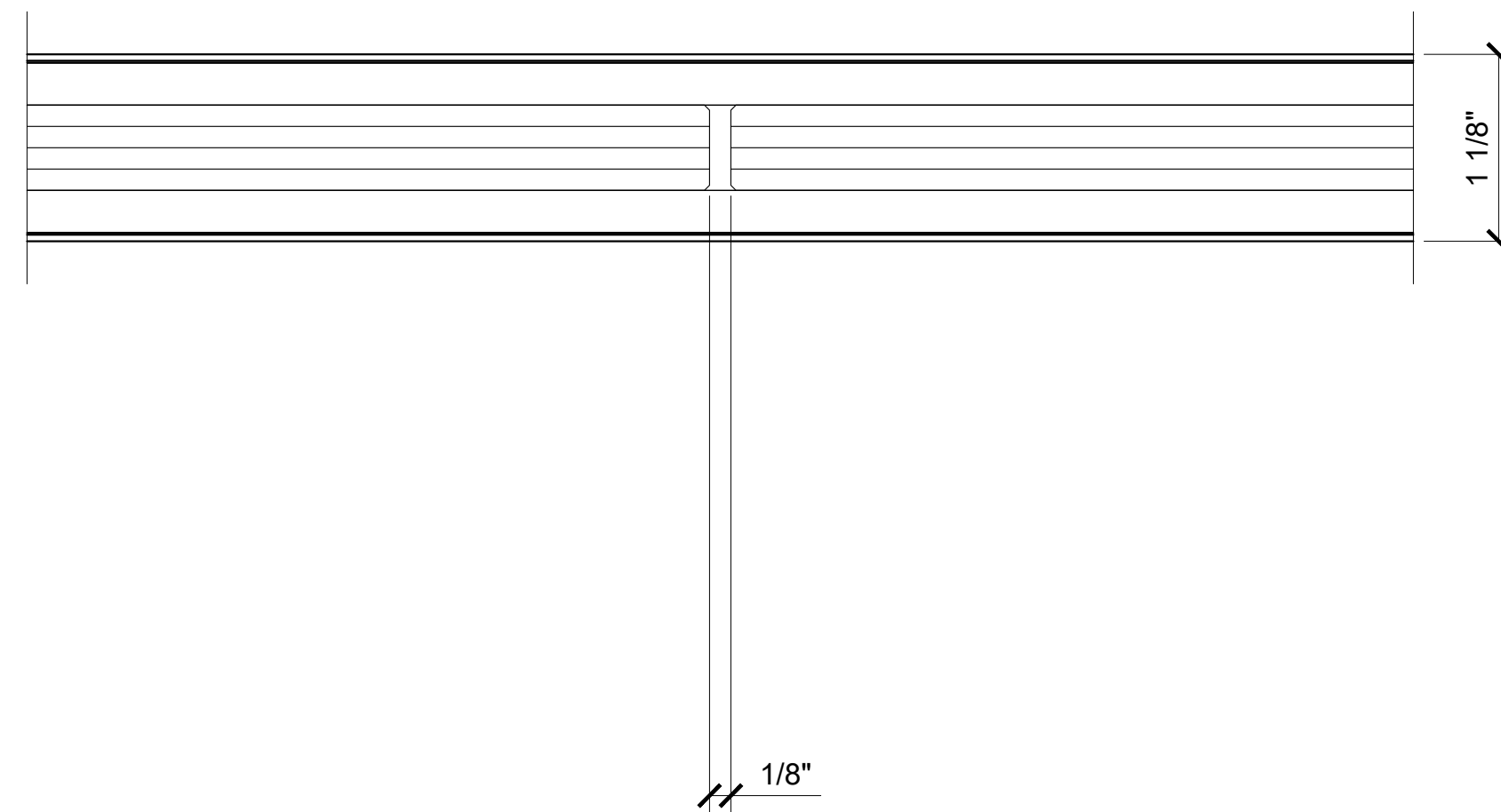
Drawn By: AAD  
 Checked By: PM  
 Date: 00/00/19  
 Scale: AS NOTED  
 Project #: 000000

Sheet No.



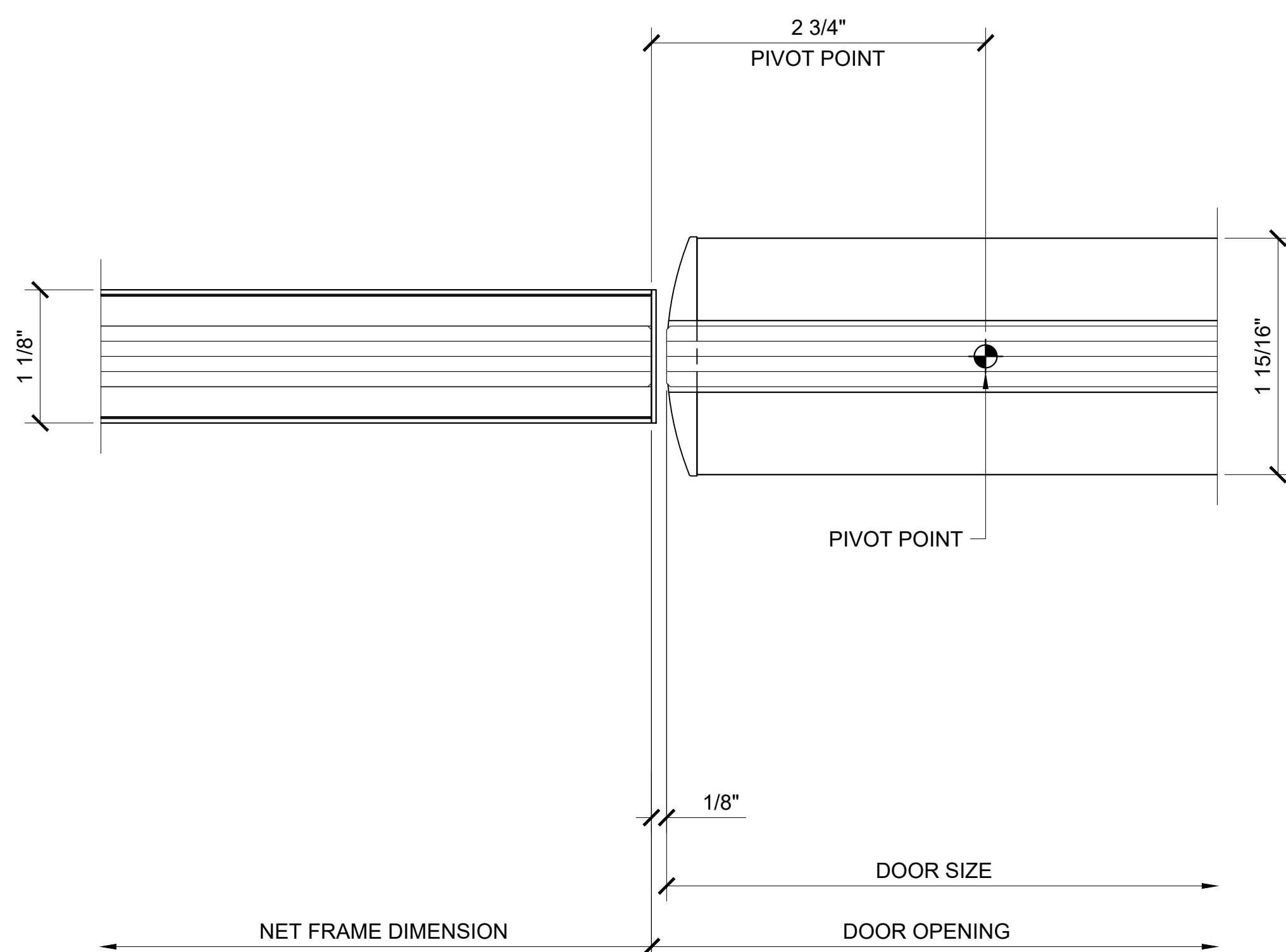
① JAMB DETAIL

ARCH REF: 1'-0"=1'-0"



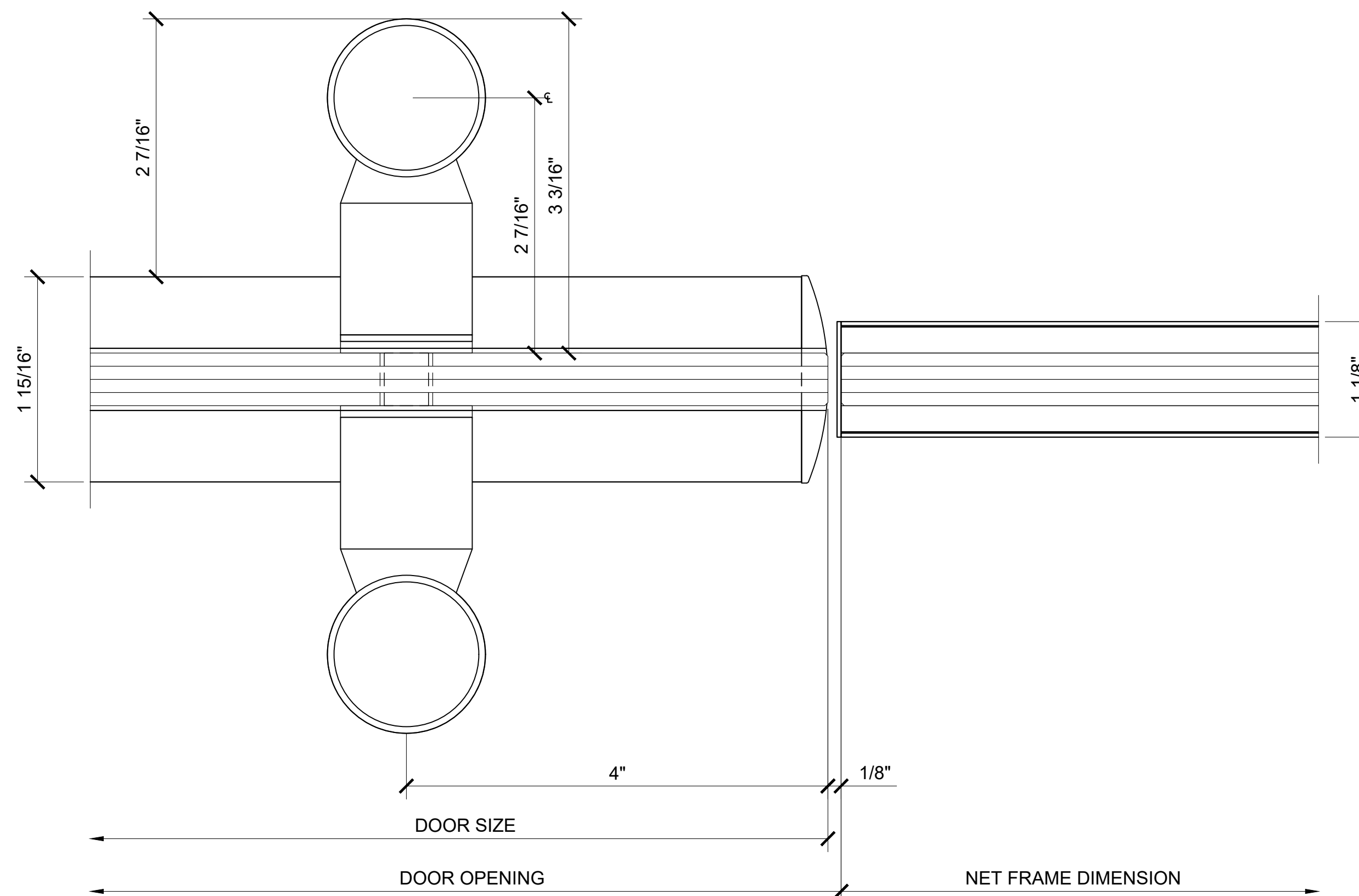
② BUTT JOINT DETAIL

ARCH REF: 1'-0"=1'-0"



③ JAMB DETAIL

ARCH REF: 1'-0"=1'-0"



④ JAMB DETAIL

ARCH REF: 1'-0"=1'-0"

Architect:

Phone:  
 Fax:  
 Contact:

Job Name:

Phone:  
 Fax:  
 Contact:

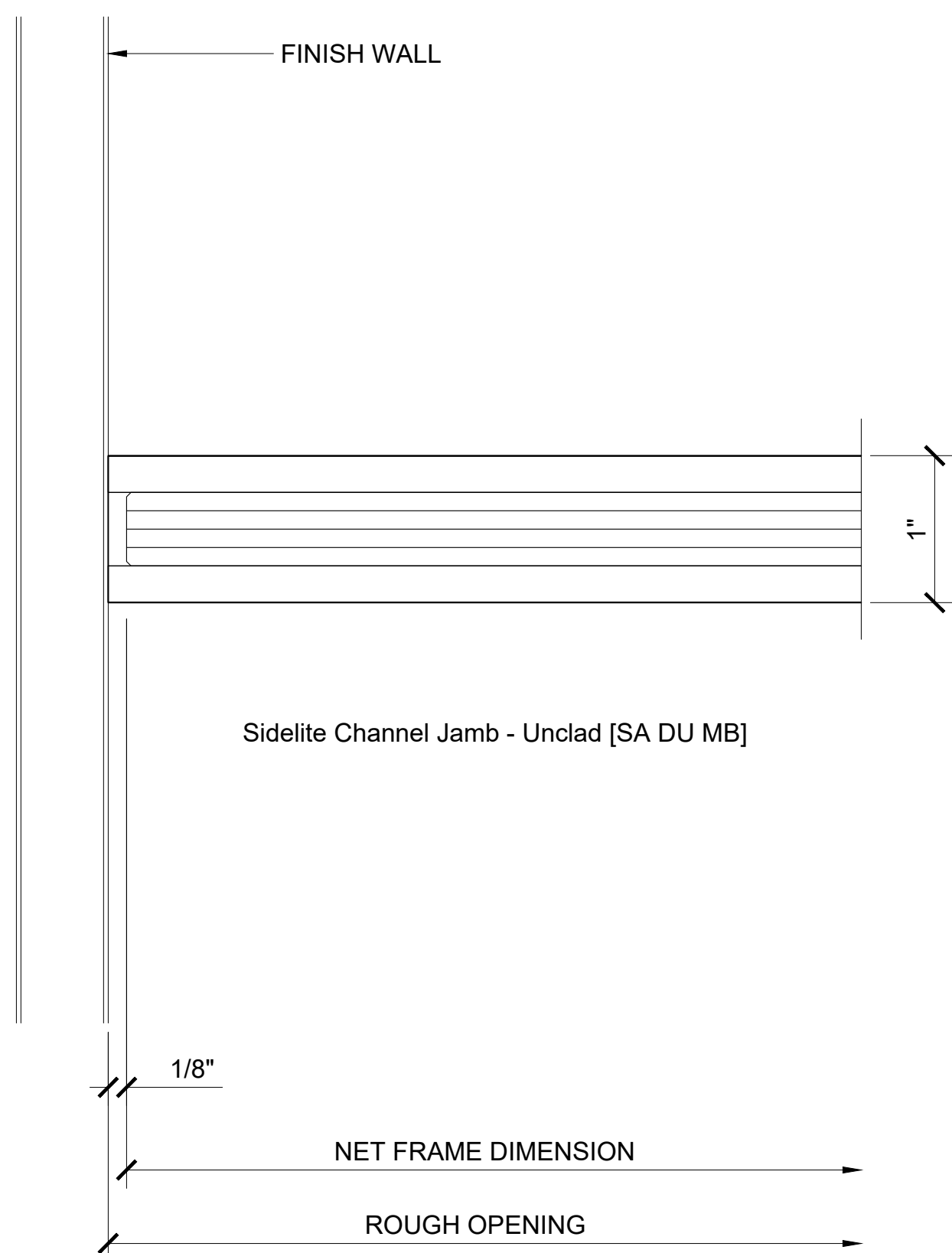
Customer:

Phone:  
 Fax:  
 Contact:

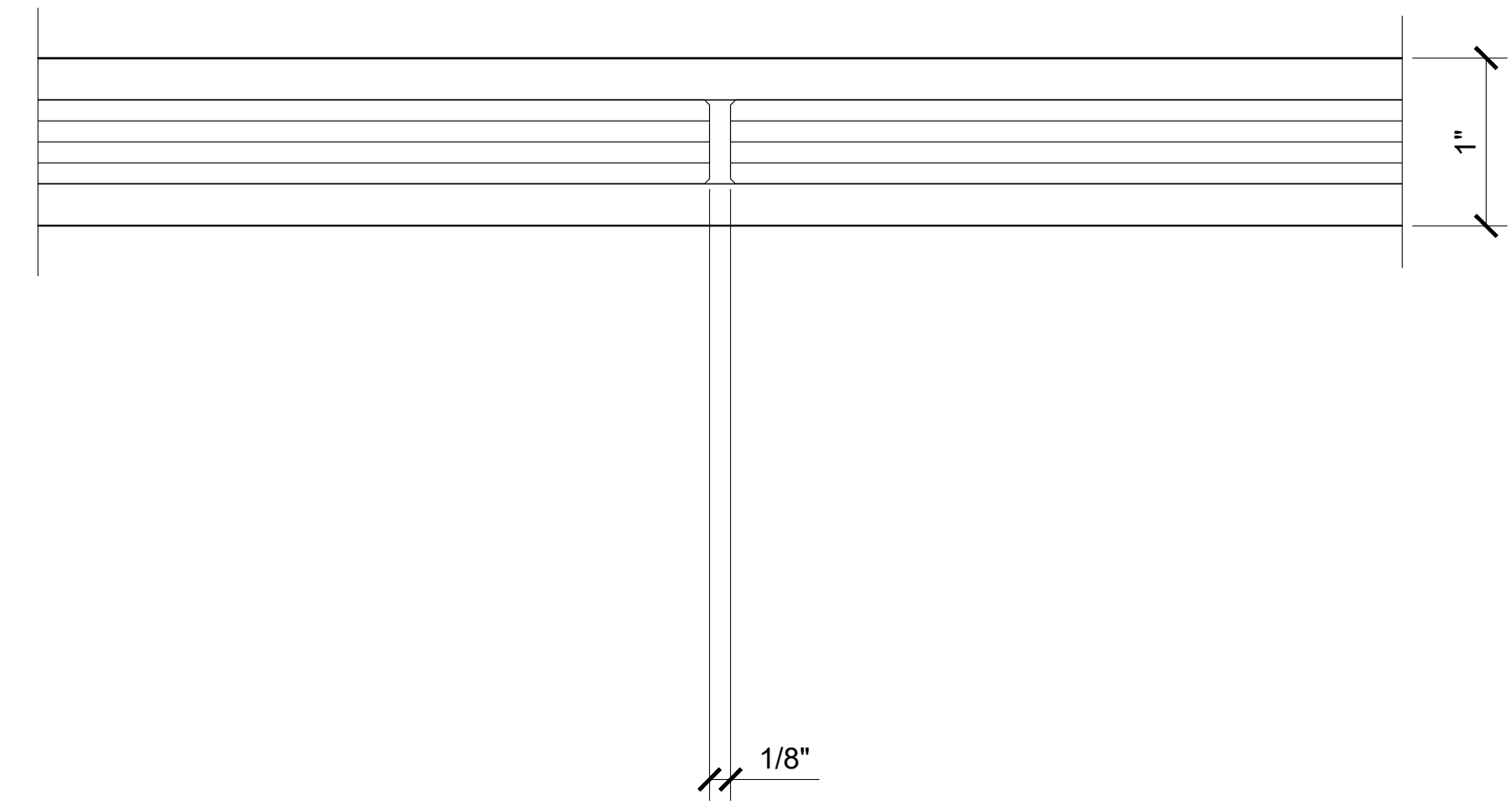
REV#	DATE	DRAWN BY
0	03/26/20	AAD
1		
2		
3		
4		
5		
6		

Drawn By: AAD  
 Checked By: PM  
 Date: 00/00/19  
 Scale: AS NOTED  
 Project #: 000000

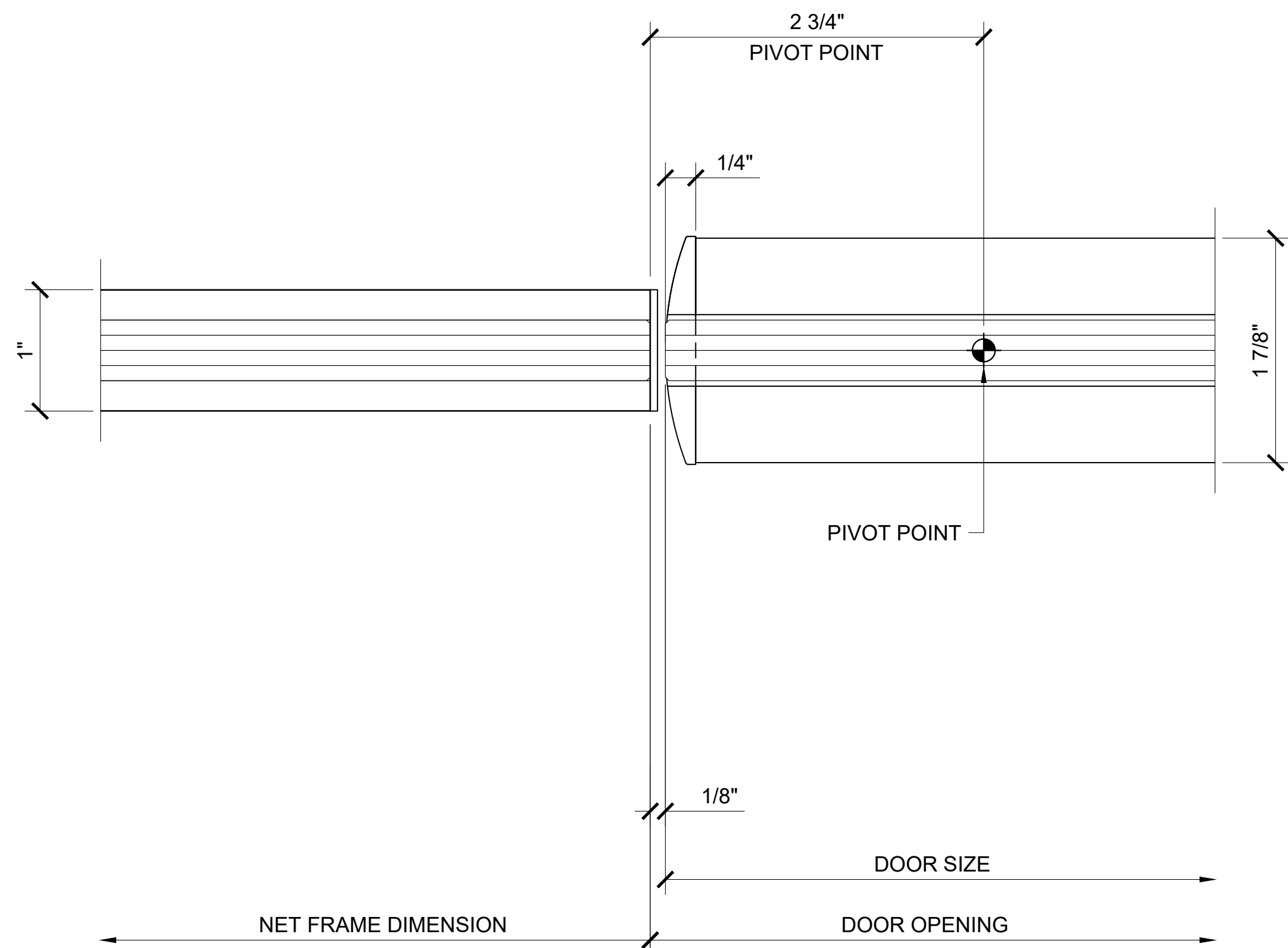
Sheet No.



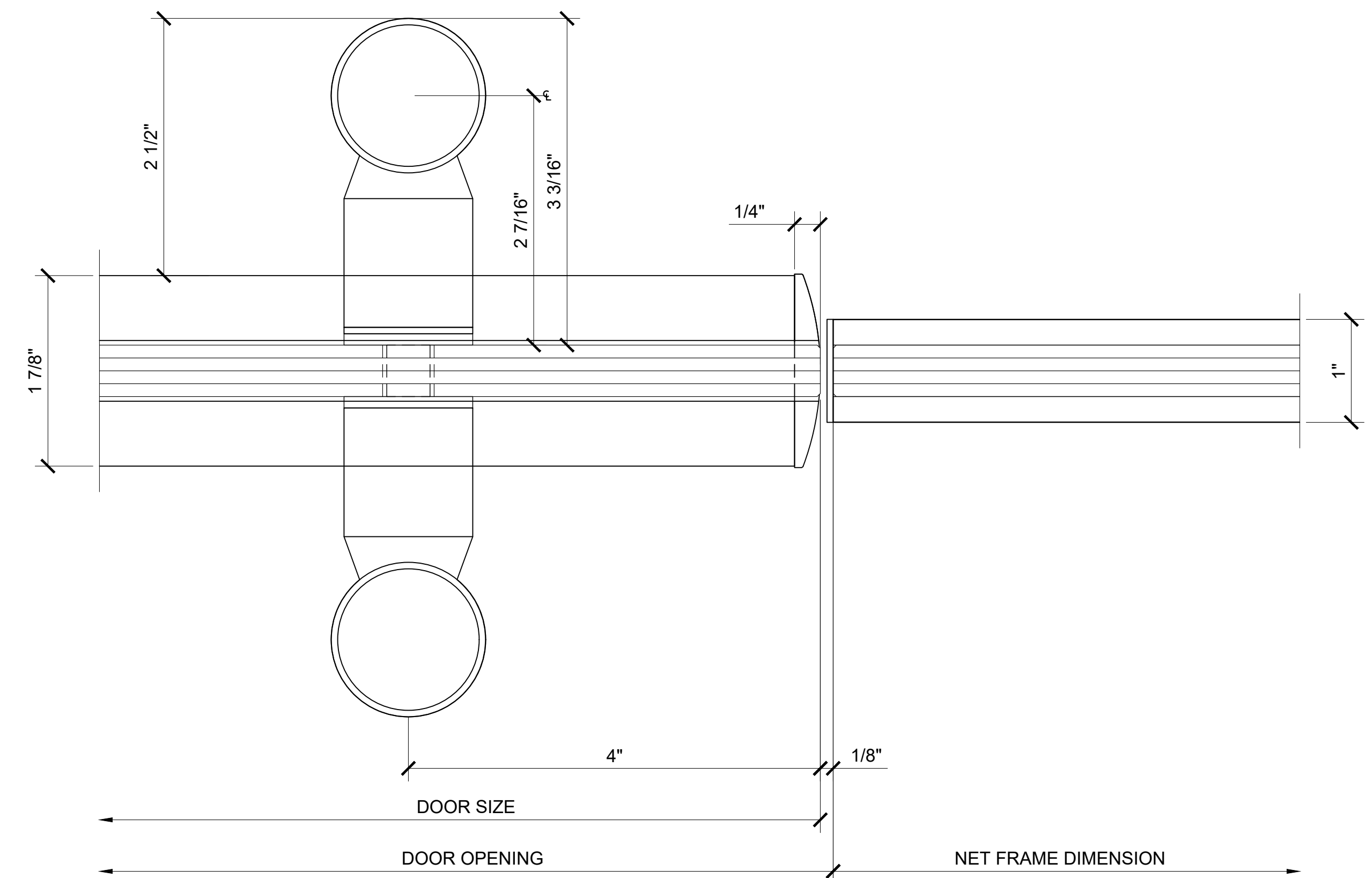
**① JAMB DETAIL**  
 ARCH REF: 1'-0"=1'-0"



**② BUTT JOINT DETAIL**  
 ARCH REF: 1'-0"=1'-0"



**③ JAMB DETAIL**  
 ARCH REF: 1'-0"=1'-0"



**④ JAMB DETAIL**  
 ARCH REF: 1'-0"=1'-0"

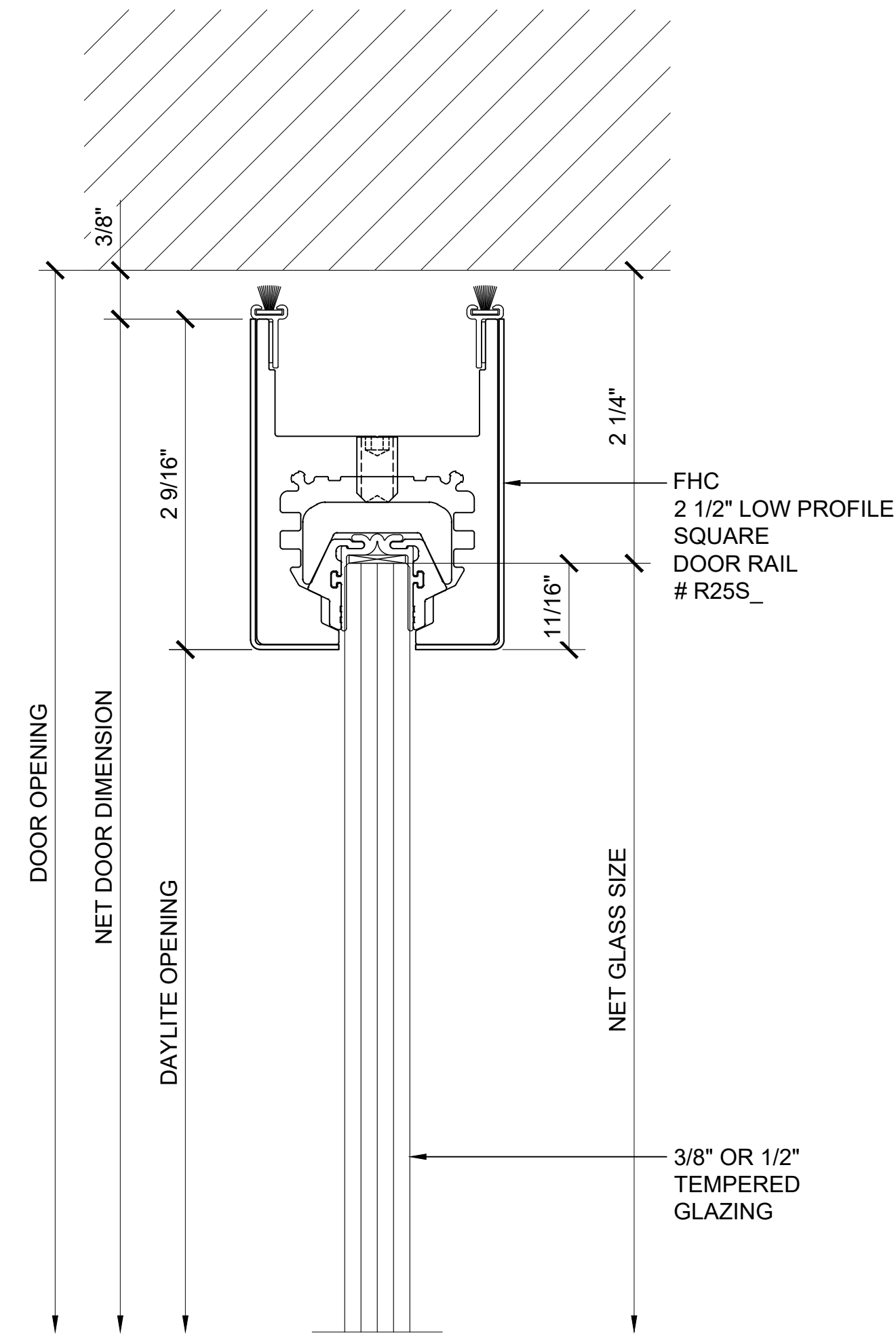
Architect: \_\_\_\_\_  
 Job Name: \_\_\_\_\_  
 Customer: \_\_\_\_\_  
 Phone: \_\_\_\_\_  
 Fax: \_\_\_\_\_  
 Contact: \_\_\_\_\_

Job Name: \_\_\_\_\_  
 Customer: \_\_\_\_\_  
 Phone: \_\_\_\_\_  
 Fax: \_\_\_\_\_  
 Contact: \_\_\_\_\_

Customer: \_\_\_\_\_  
 Phone: \_\_\_\_\_  
 Fax: \_\_\_\_\_  
 Contact: \_\_\_\_\_

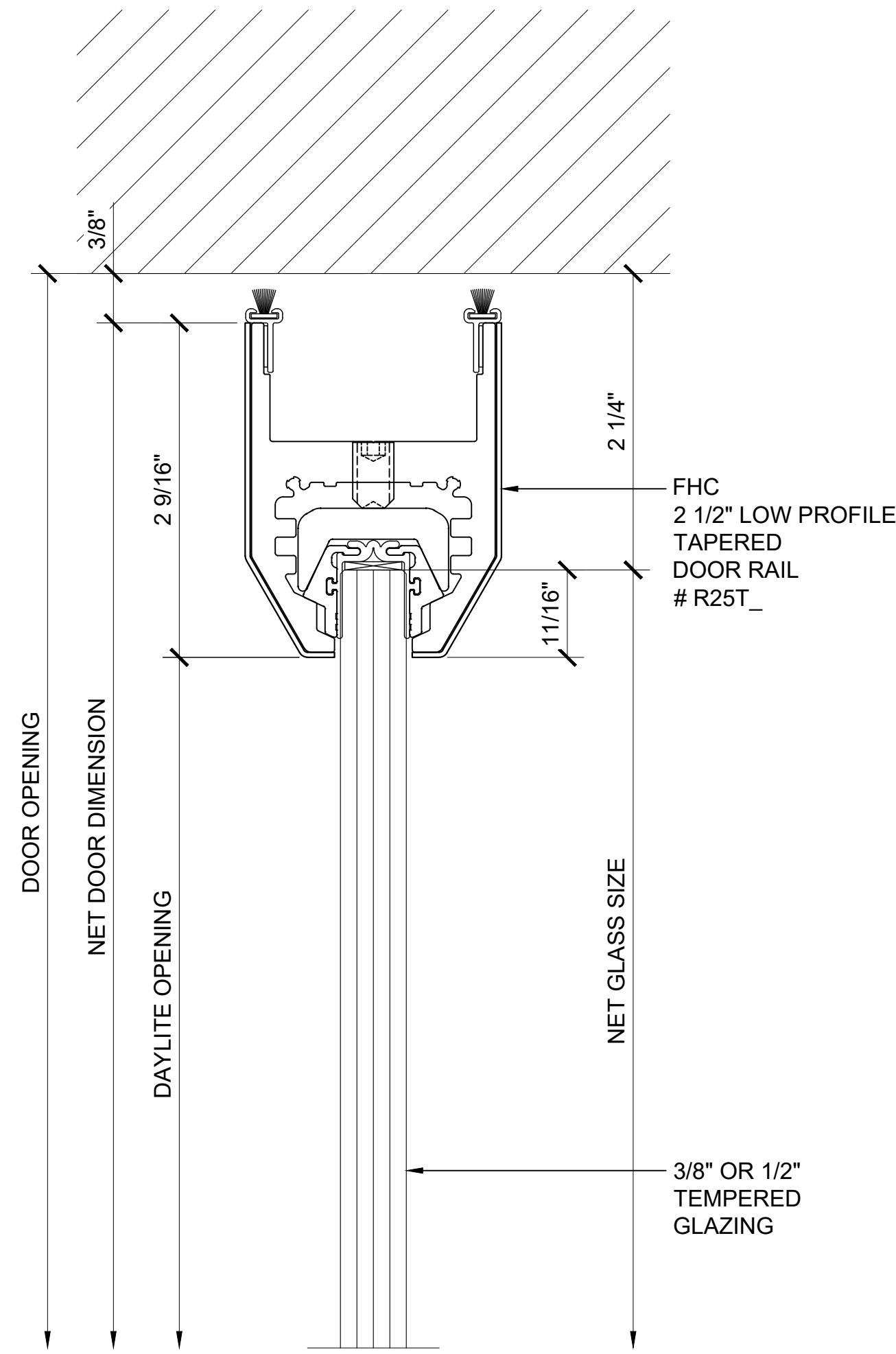
REV#	DATE	DRAWN BY
0	03/26/20	AAD
1		
2		
3		
4		
5		
6		

Drawn By: AAD  
 Checked By: PM  
 Date: 00/00/19  
 Scale: AS NOTED  
 Project #: 000000



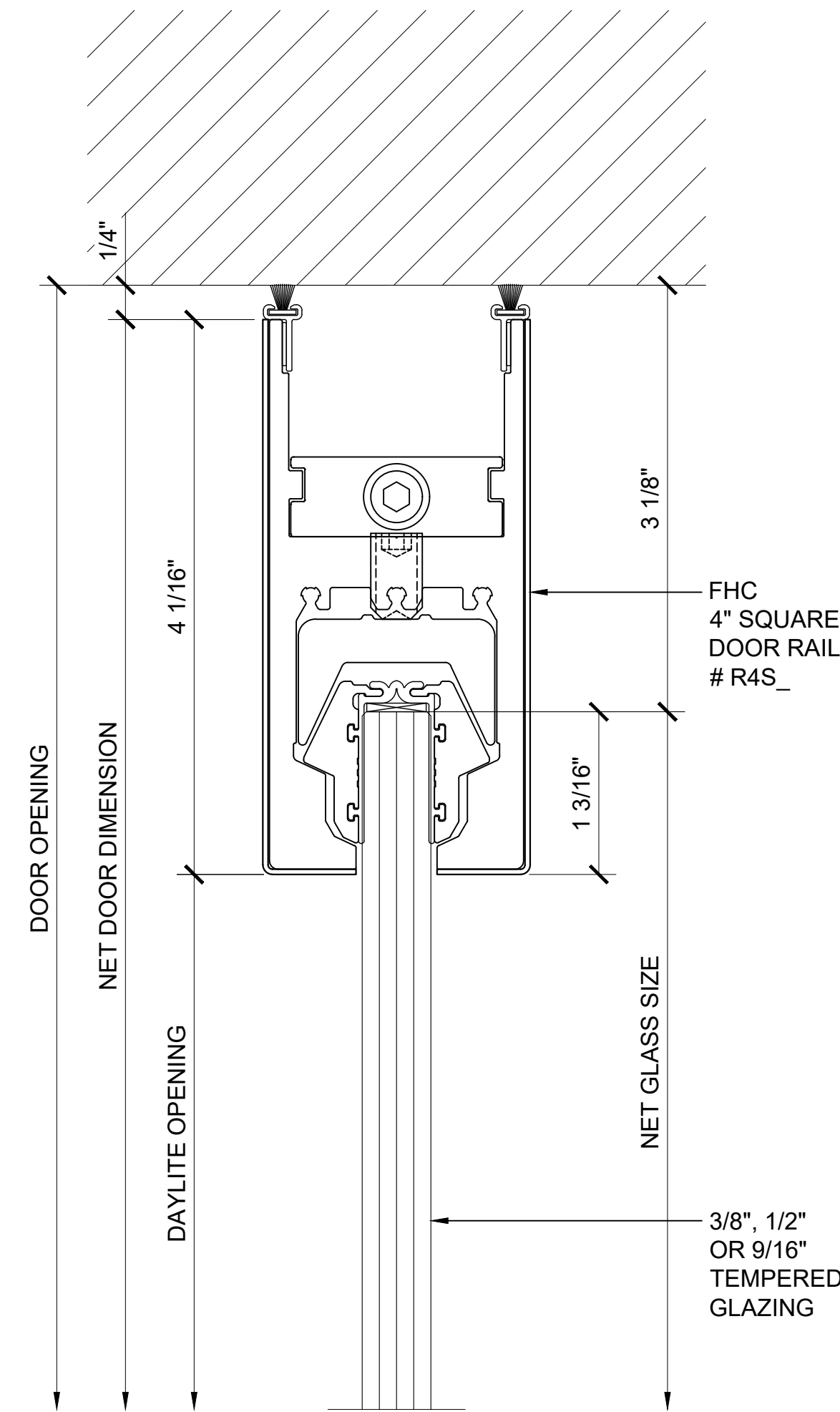
**1 HEAD DETAIL**

ARCH REF: 1'-0"=1'-0"



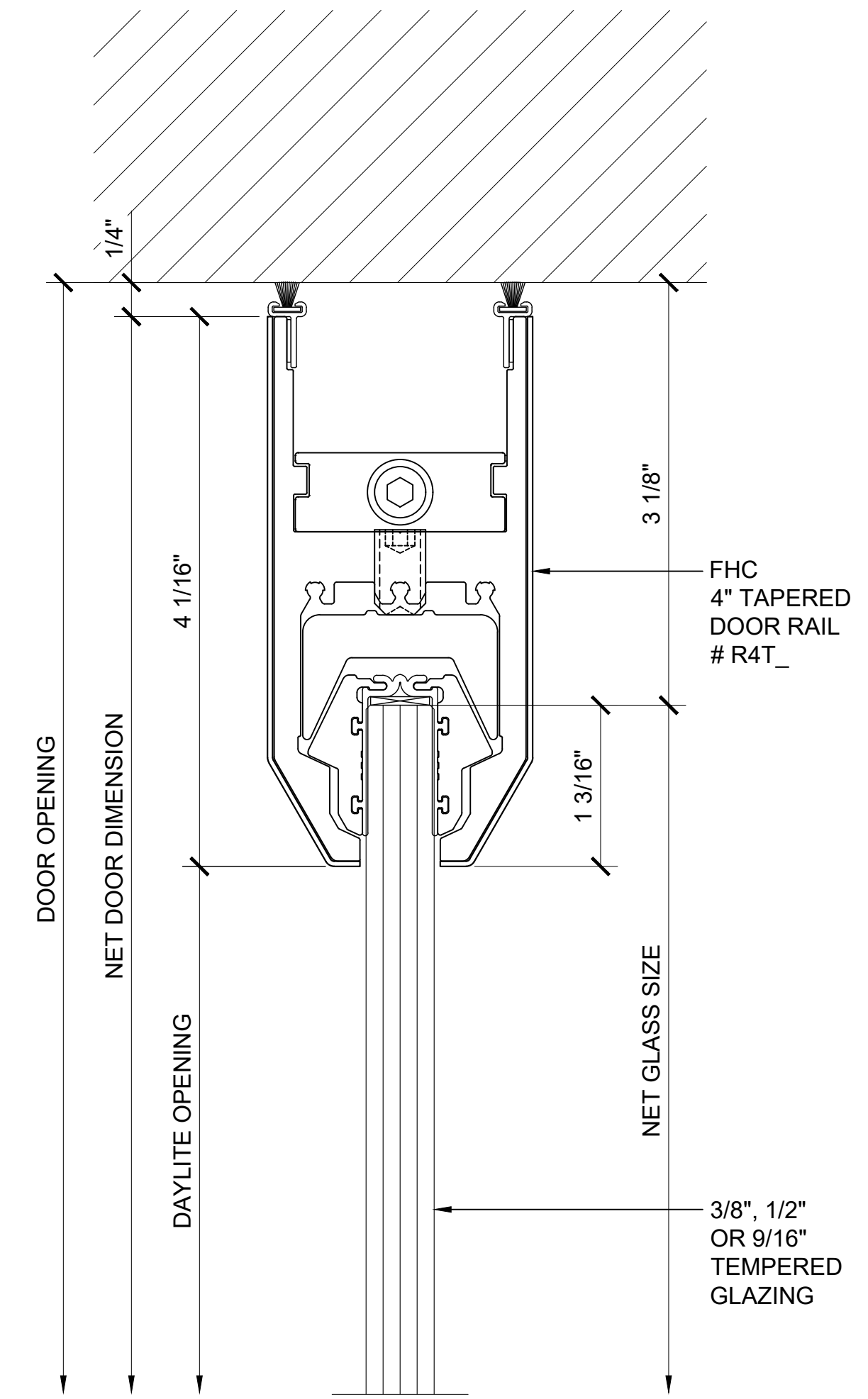
**3 HEAD DETAIL**

ARCH REF: 1'-0"=1'-0"



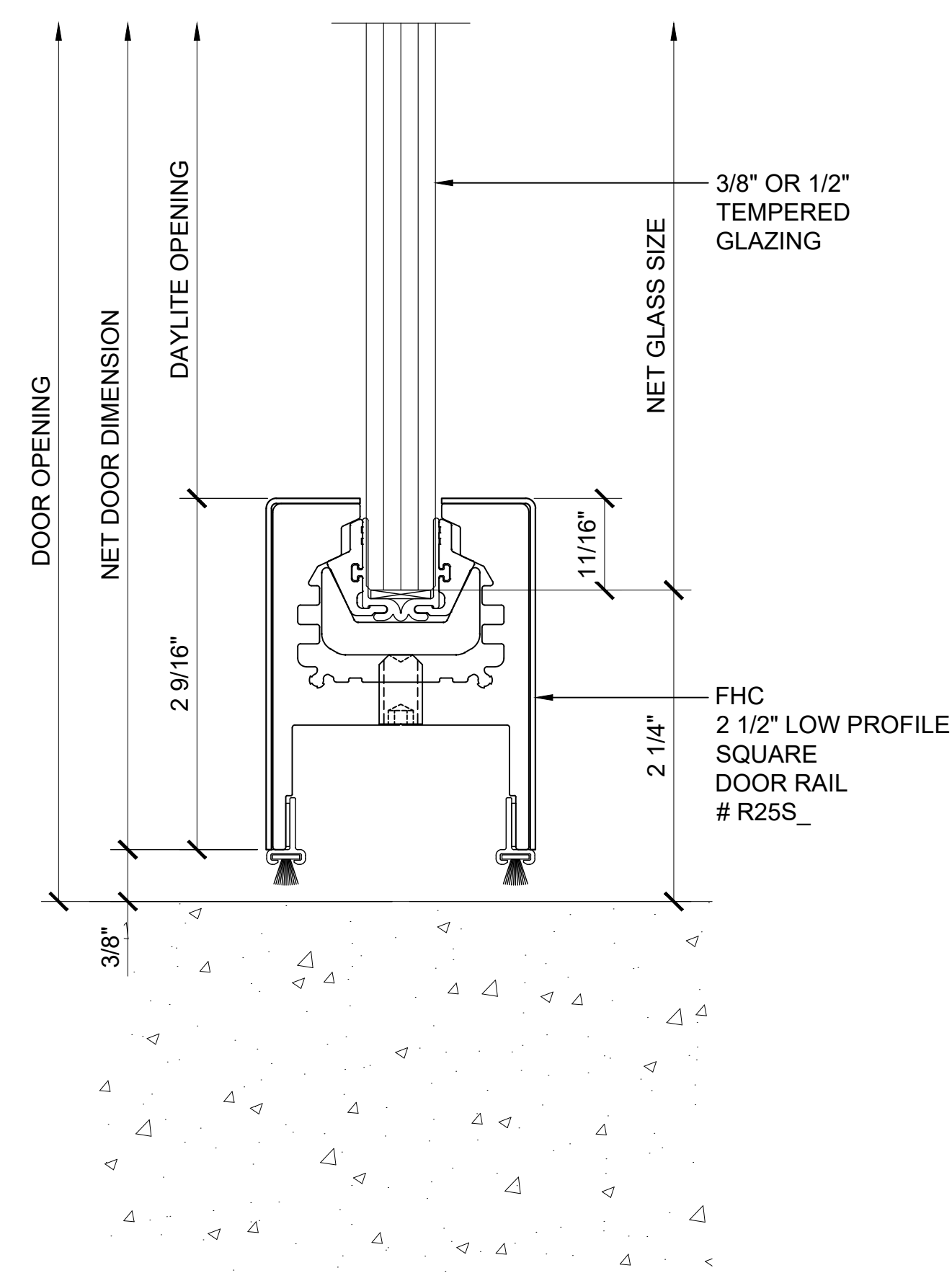
**5 HEAD DETAIL**

ARCH REF: 1'-0"=1'-0"



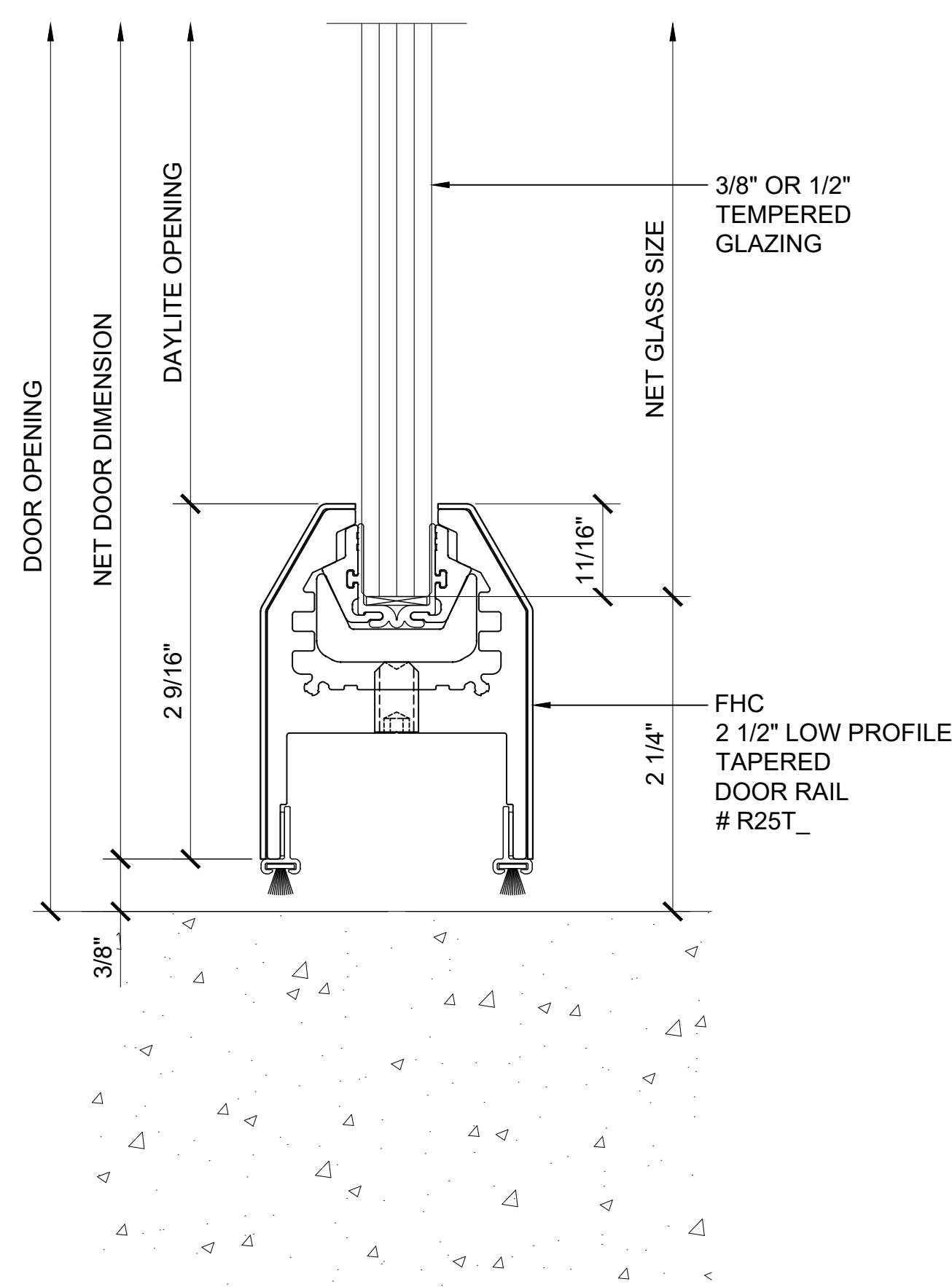
**7 HEAD DETAIL**

ARCH REF: 1'-0"=1'-0"



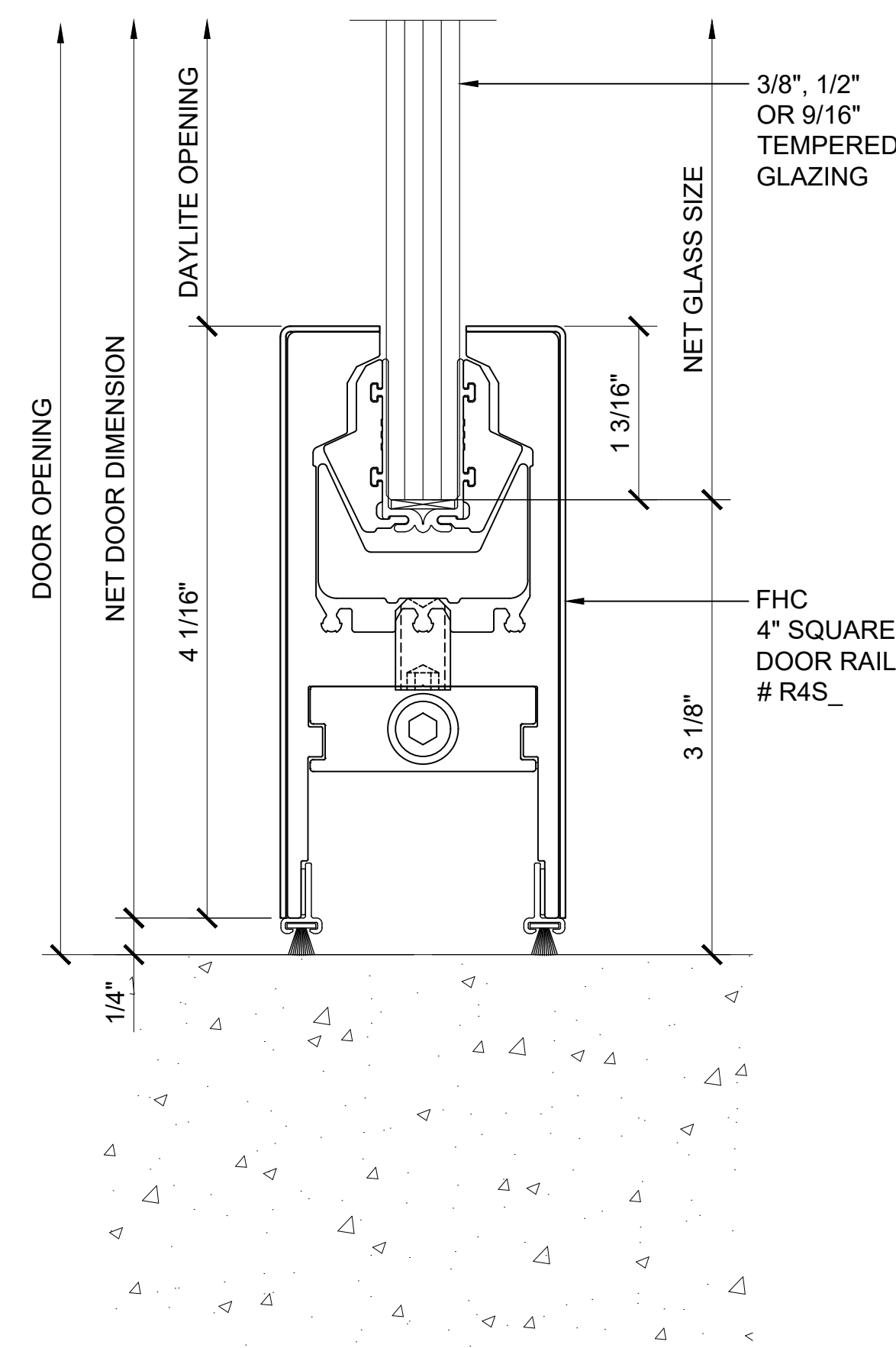
**2 SILL DETAIL**

ARCH REF: 1'-0"=1'-0"



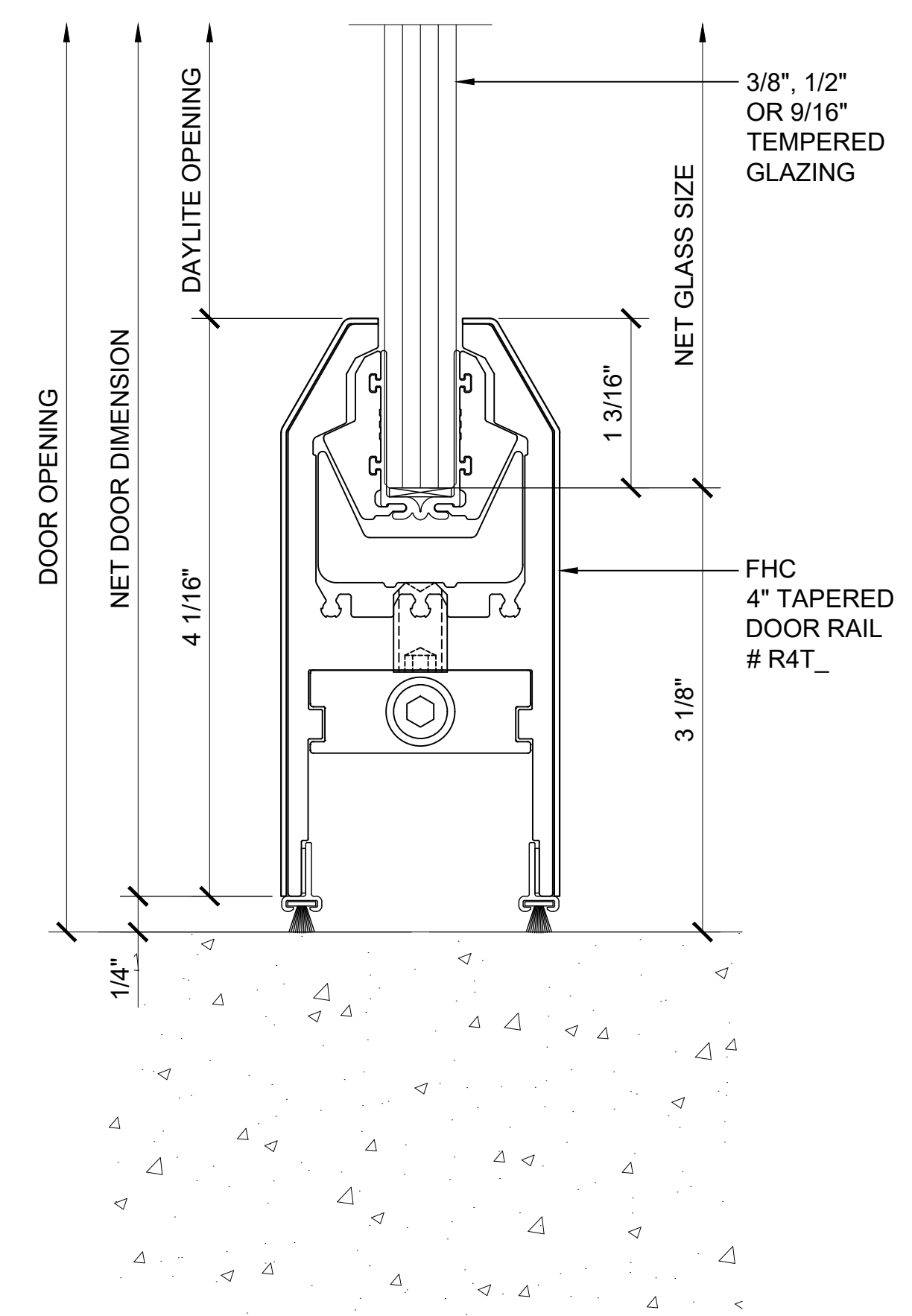
**4 SILL DETAIL**

ARCH REF: 1'-0"=1'-0"



**6 SILL DETAIL**

ARCH REF: 1'-0"=1'-0"



**8 SILL DETAIL**

ARCH REF: 1'-0"=1'-0"

Architect: \_\_\_\_\_  
 Phone: \_\_\_\_\_  
 Fax: \_\_\_\_\_  
 Contact: \_\_\_\_\_

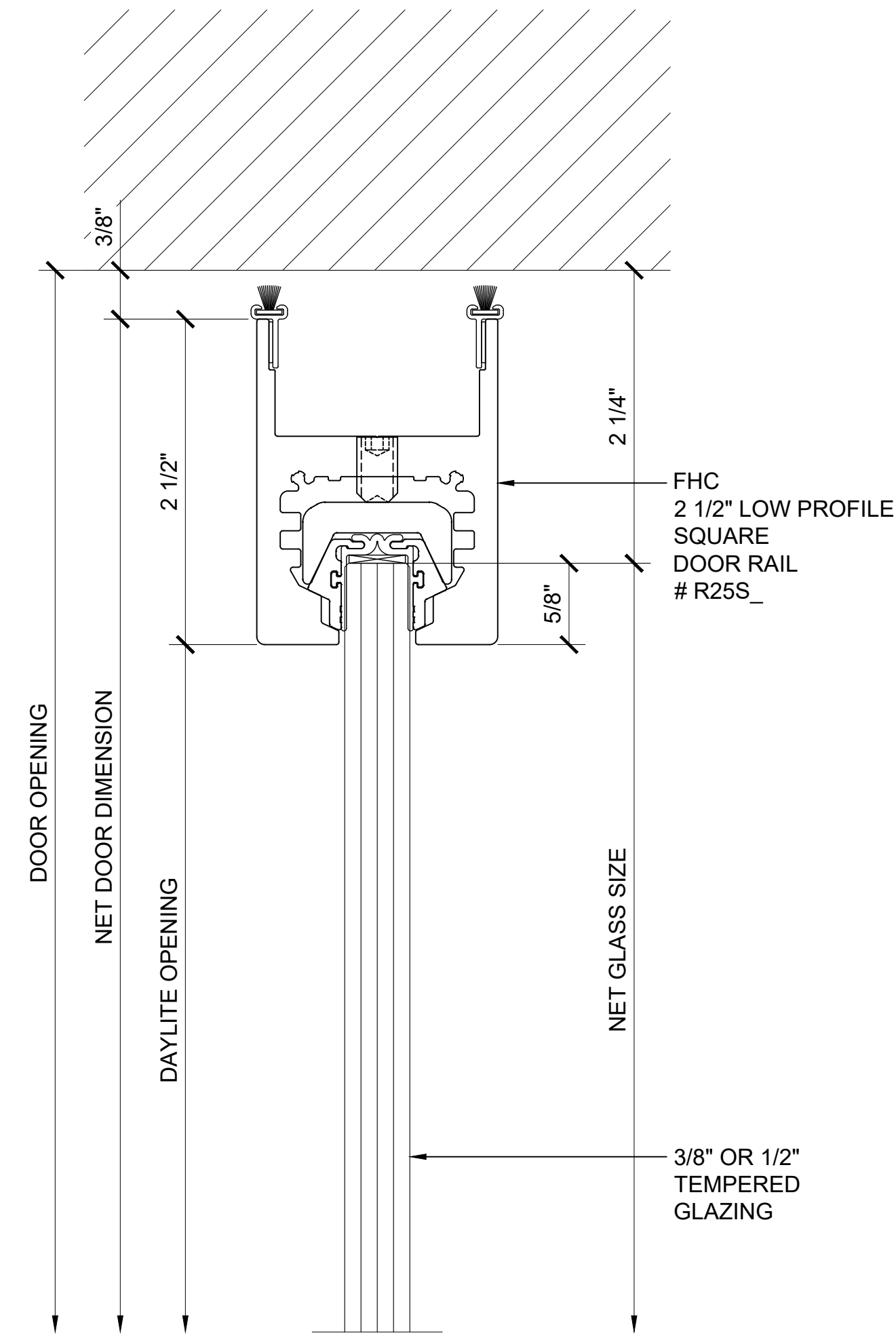
Job Name: \_\_\_\_\_  
 Phone: \_\_\_\_\_  
 Fax: \_\_\_\_\_  
 Contact: \_\_\_\_\_

Customer: \_\_\_\_\_  
 Phone: \_\_\_\_\_  
 Fax: \_\_\_\_\_  
 Contact: \_\_\_\_\_

REV#	DATE	DRAWN BY
0	03/26/20	AAD
1		
2		
3		
4		
5		
6		

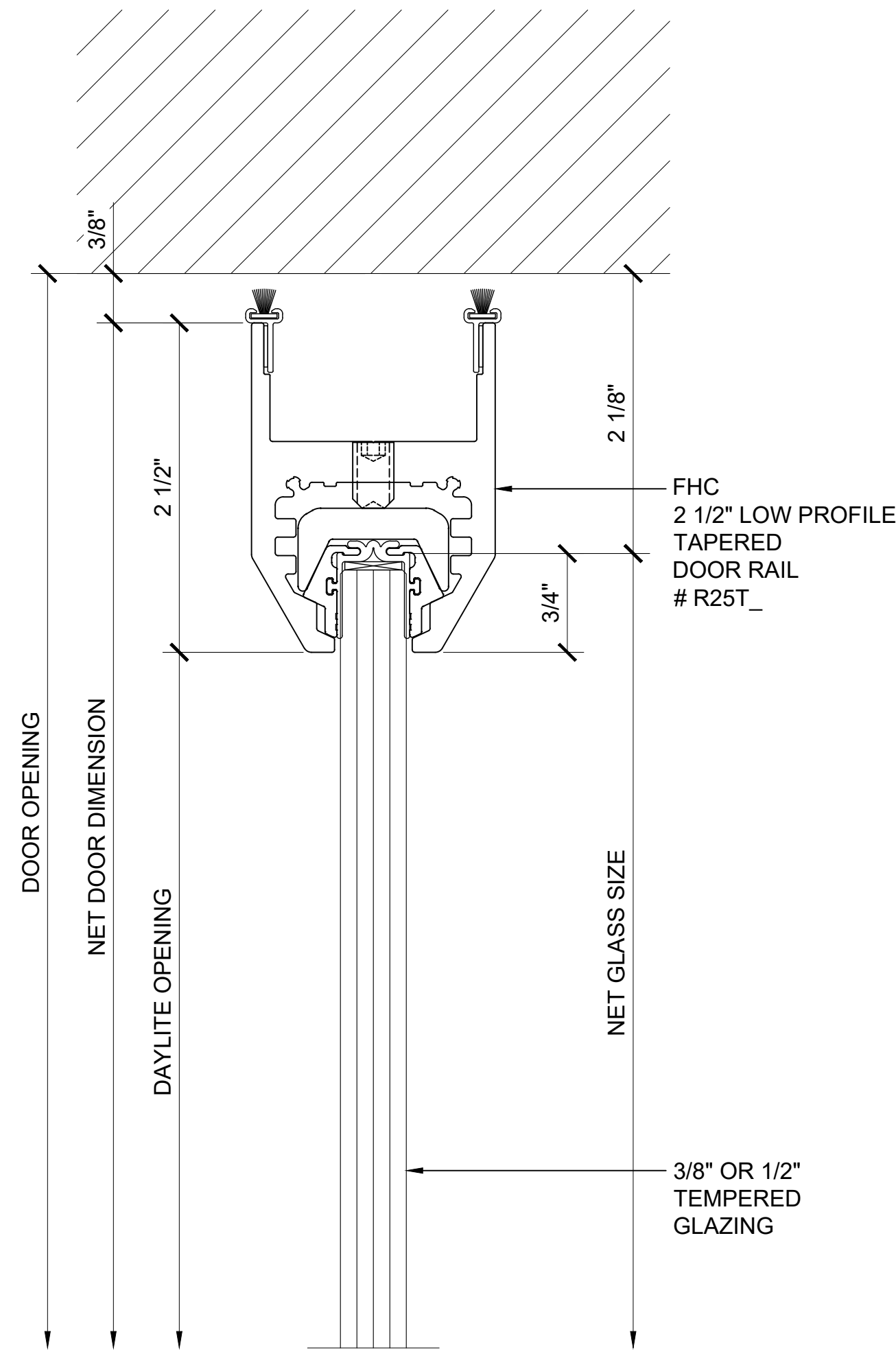
Drawn By: AAD  
 Checked By: PM  
 Date: 00/00/19  
 Scale: AS NOTED  
 Project #: 000000

Sheet No.



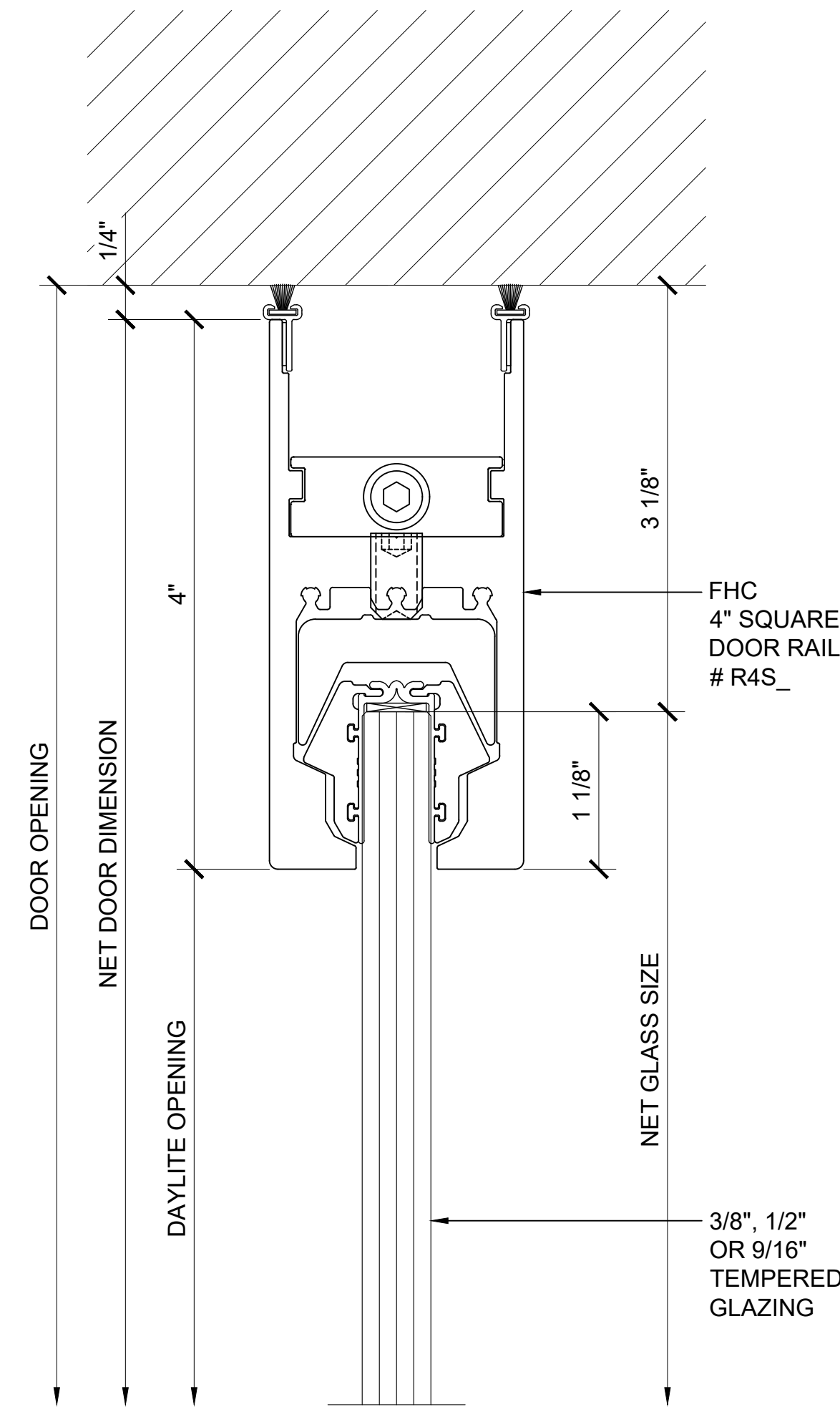
**1 HEAD DETAIL**

ARCH REF: 1'-0"=1'-0"



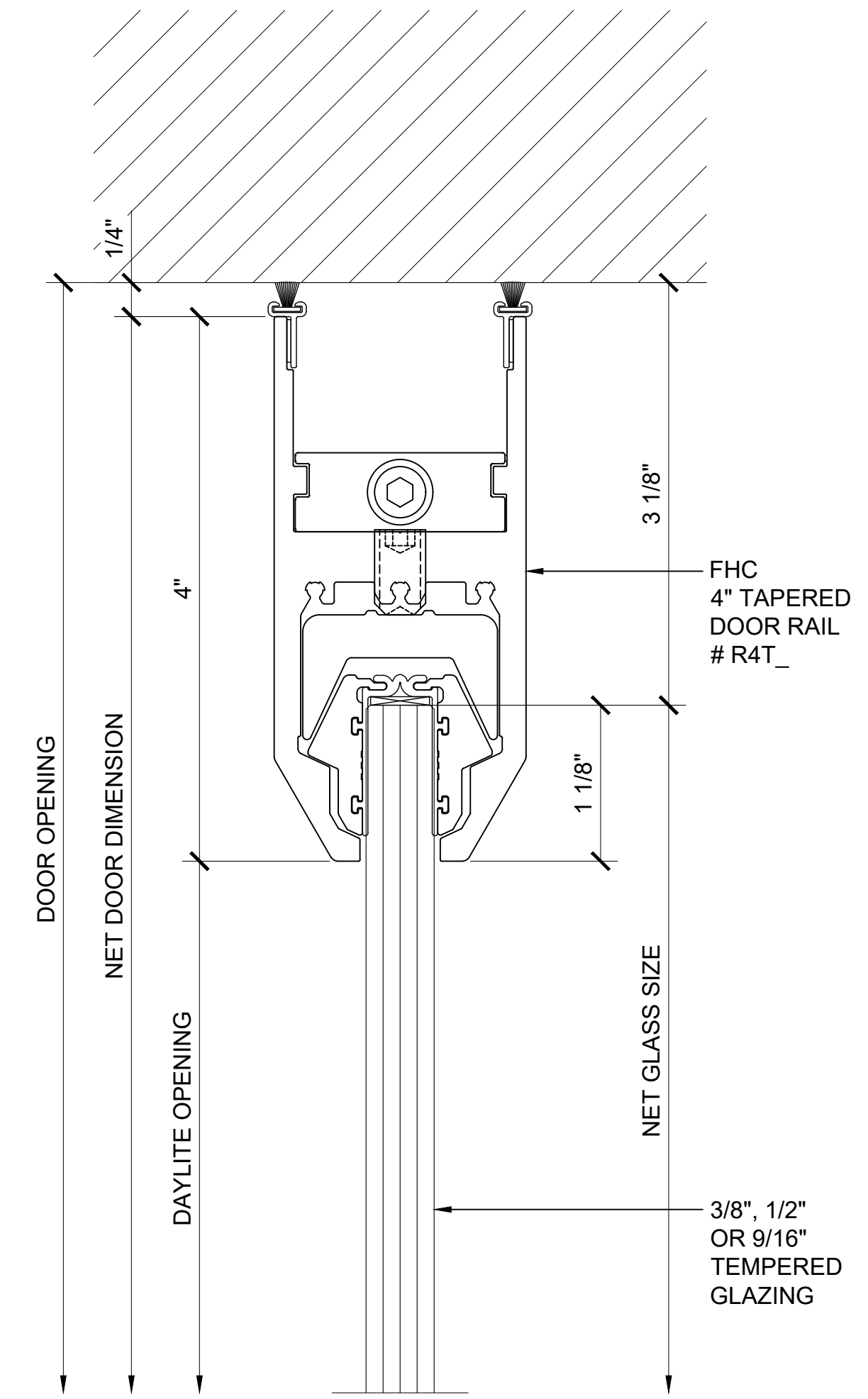
**3 HEAD DETAIL**

ARCH REF: 1'-0"=1'-0"



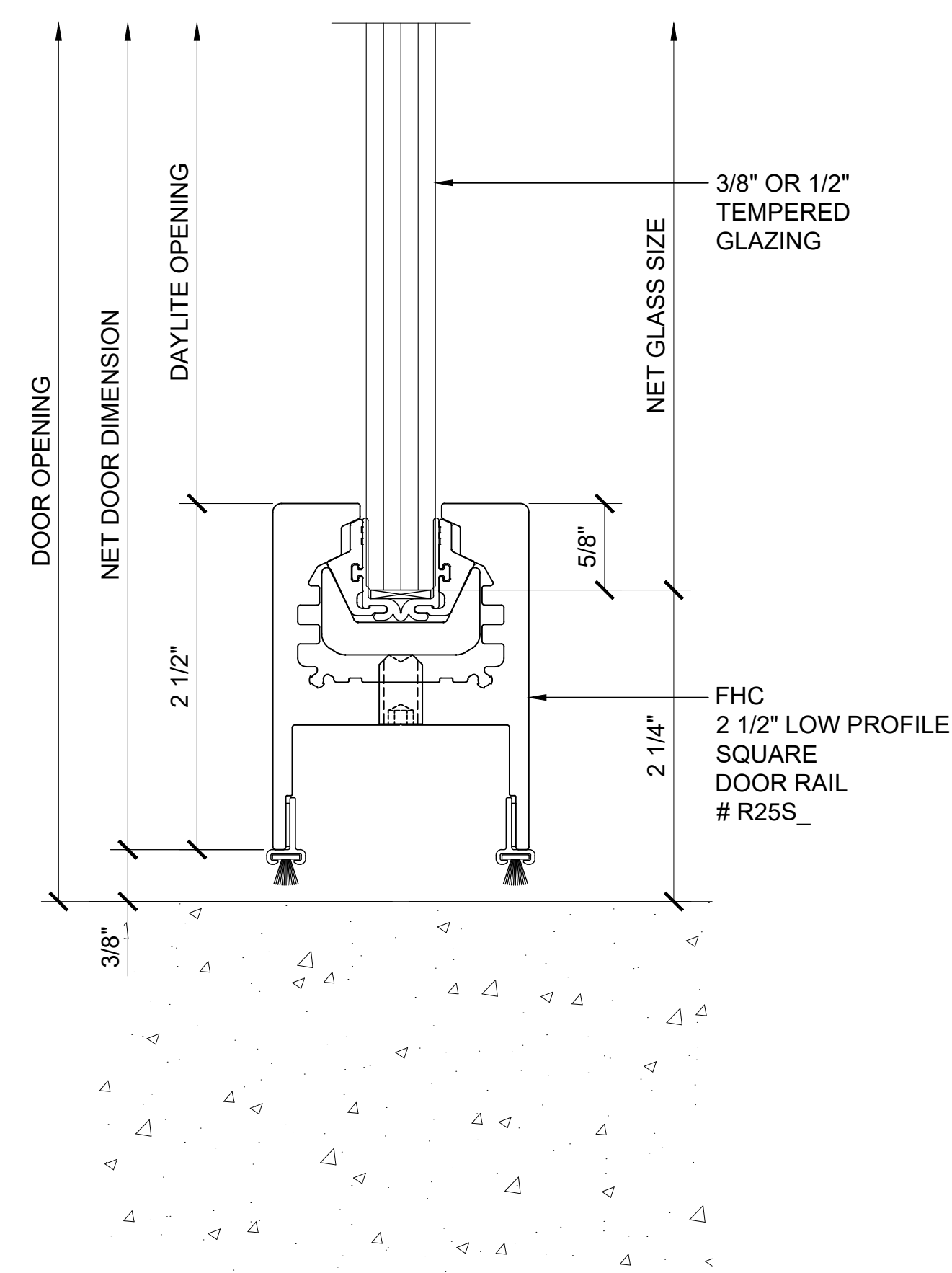
**5 HEAD DETAIL**

ARCH REF: 1'-0"=1'-0"



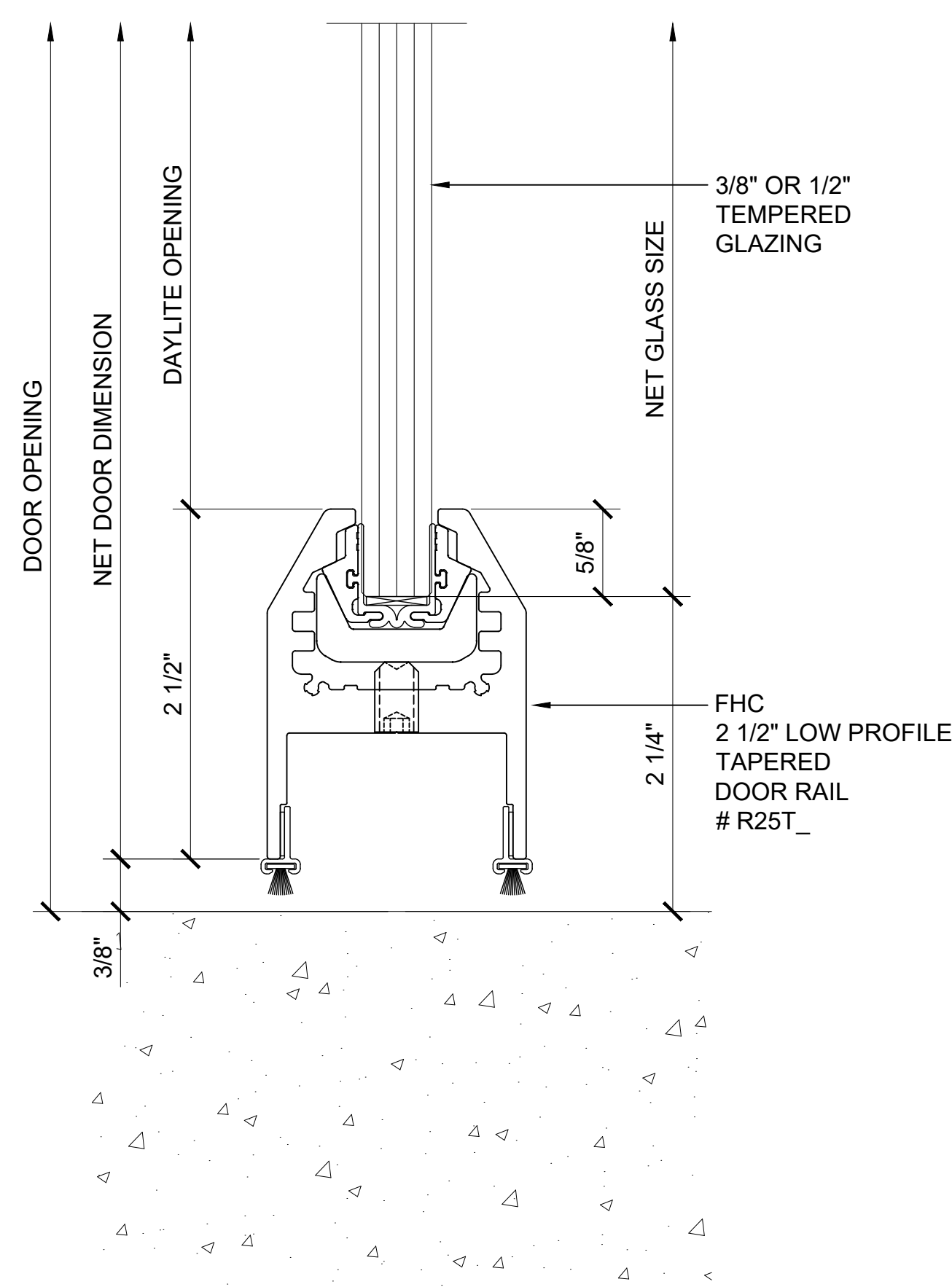
**7 HEAD DETAIL**

ARCH REF: 1'-0"=1'-0"



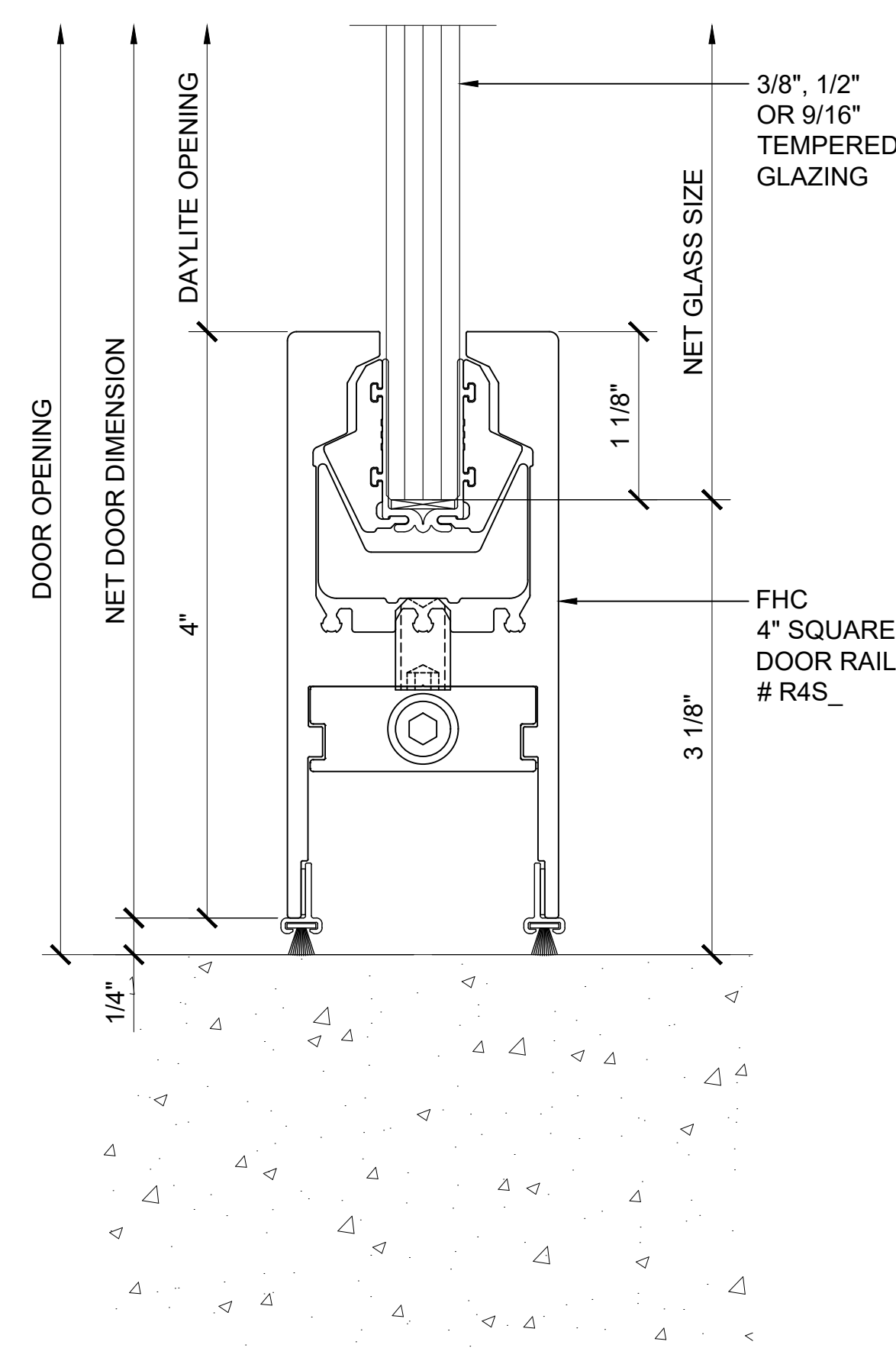
**2 SILL DETAIL**

ARCH REF: 1'-0"=1'-0"



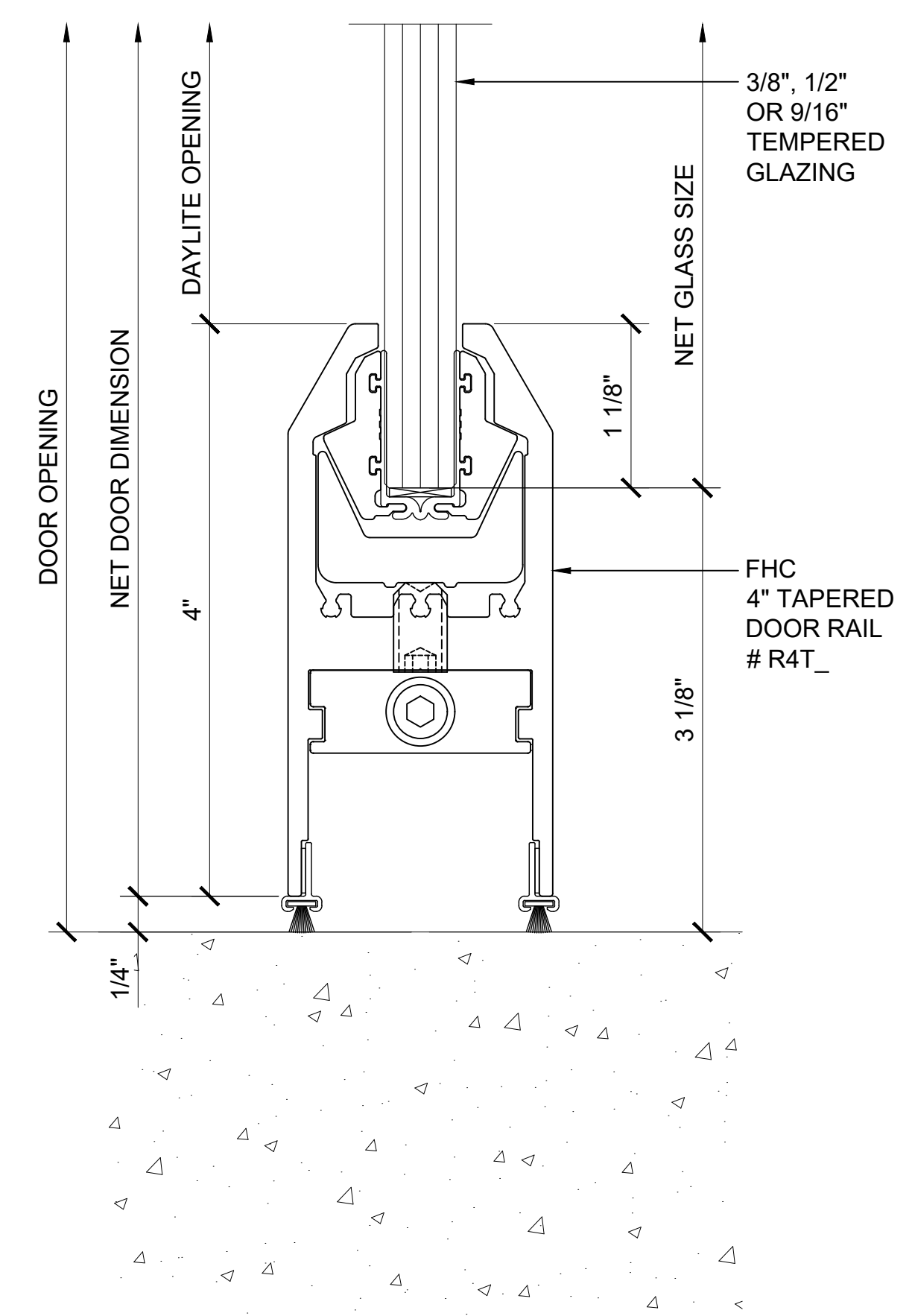
**4 SILL DETAIL**

ARCH REF: 1'-0"=1'-0"



**6 SILL DETAIL**

ARCH REF: 1'-0"=1'-0"



**8 SILL DETAIL**

ARCH REF: 1'-0"=1'-0"

Architect: \_\_\_\_\_  
 Job Name: \_\_\_\_\_  
 Phone: \_\_\_\_\_  
 Fax: \_\_\_\_\_  
 Contact: \_\_\_\_\_

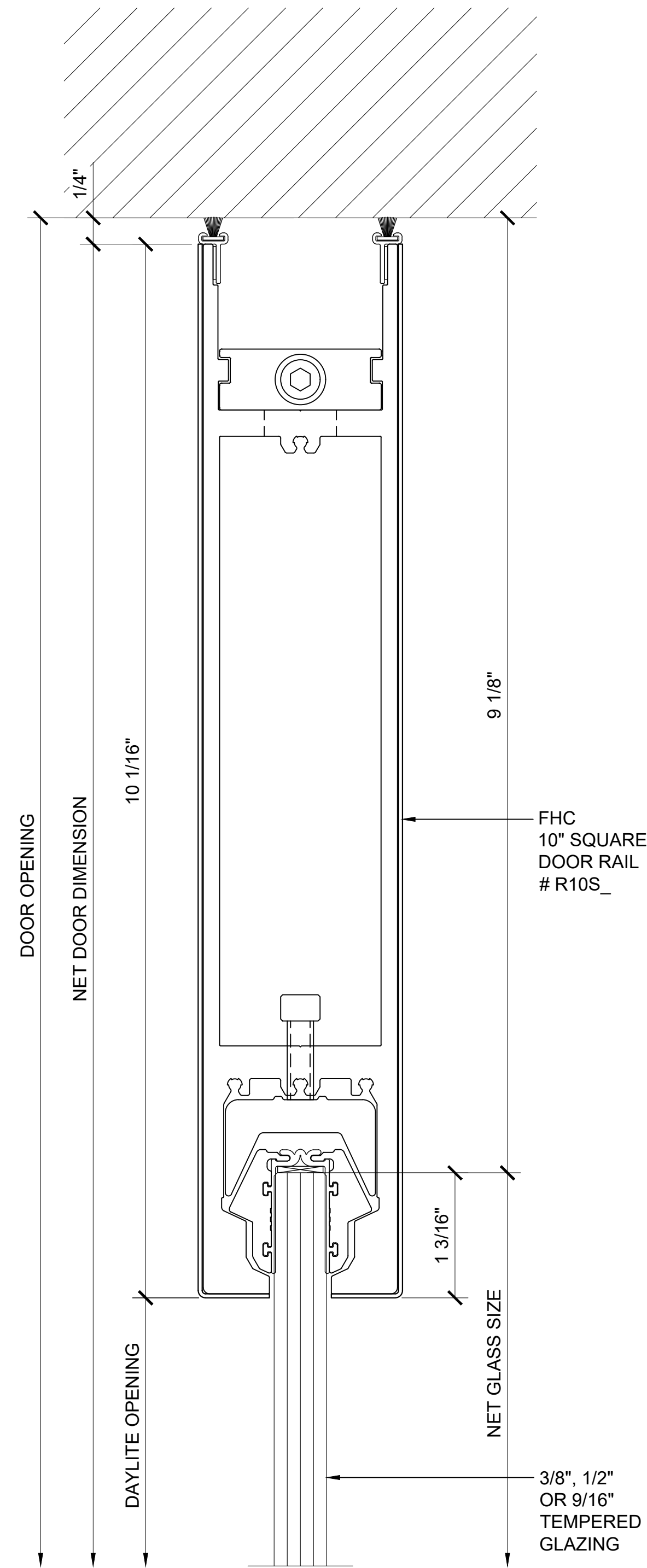
Customer: \_\_\_\_\_  
 Job Name: \_\_\_\_\_  
 Phone: \_\_\_\_\_  
 Fax: \_\_\_\_\_  
 Contact: \_\_\_\_\_

Customer: \_\_\_\_\_  
 Job Name: \_\_\_\_\_  
 Phone: \_\_\_\_\_  
 Fax: \_\_\_\_\_  
 Contact: \_\_\_\_\_

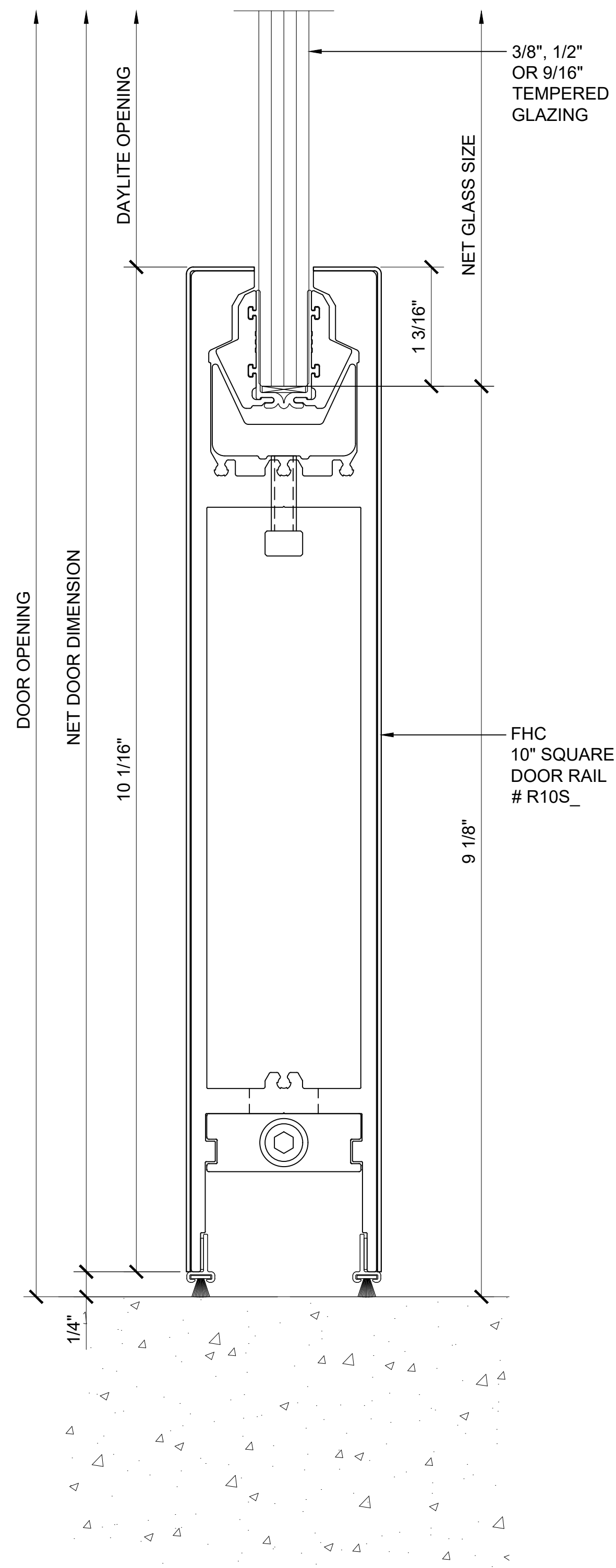
REV#	DATE	DRAWN BY
0	03/26/20	AAD
1		
2		
3		
4		
5		
6		

Drawn By: AAD  
 Checked By: PM  
 Date: 00/00/19  
 Scale: AS NOTED  
 Project #: 000000

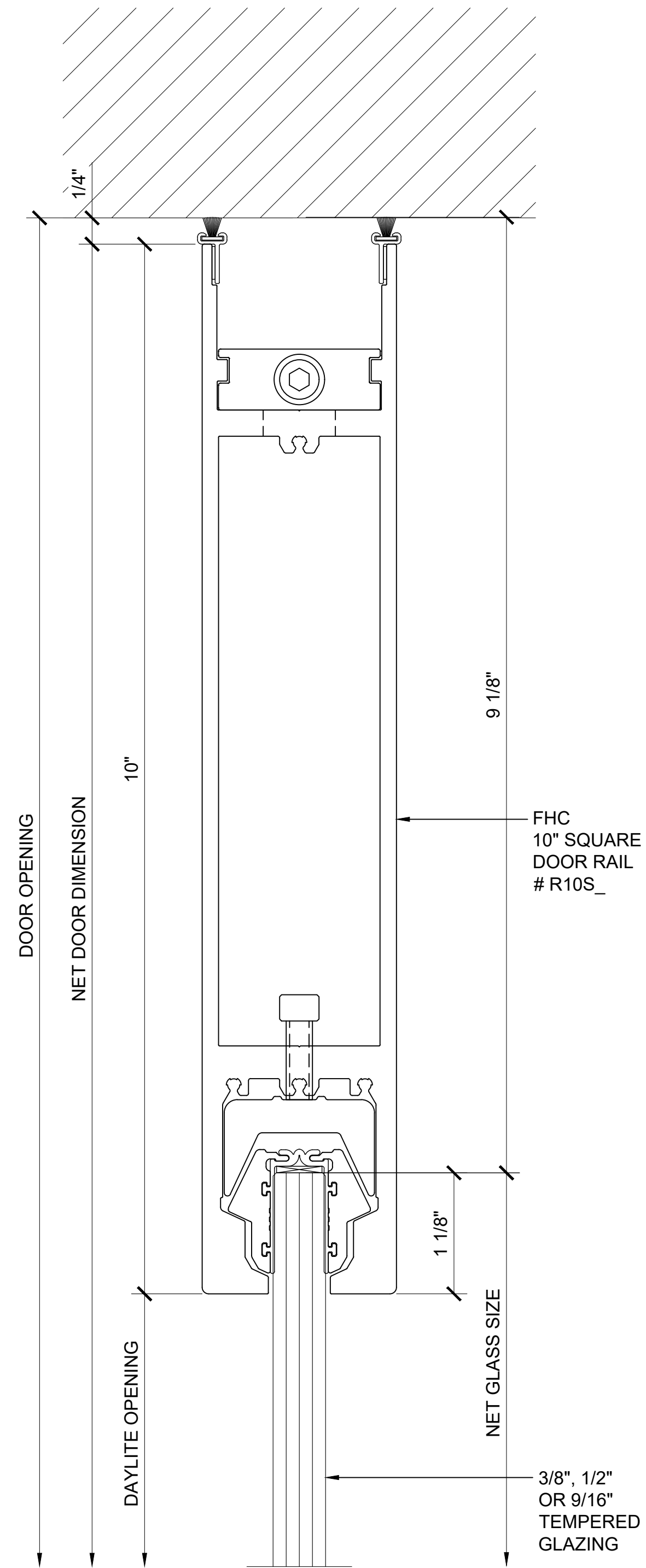




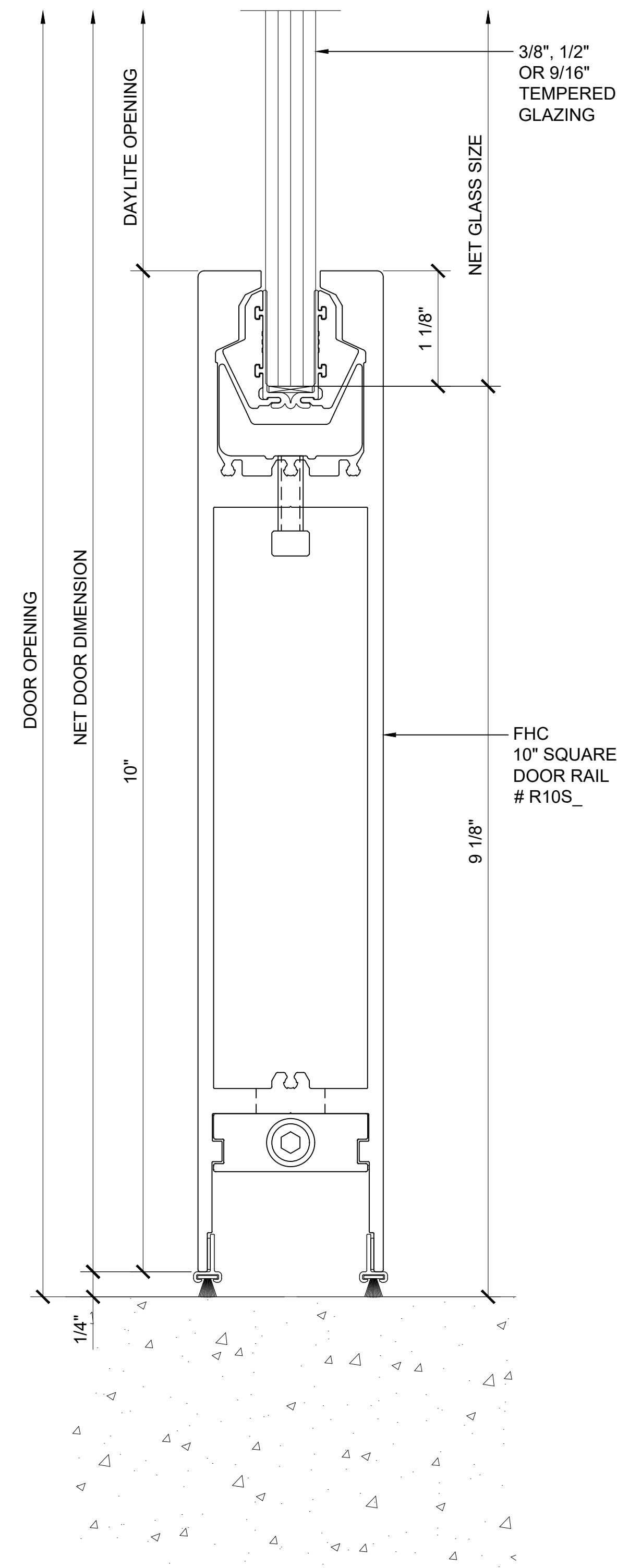
**① HEAD DETAIL (CLAD)**  
 ARCH REF: 1'-0"=1'-0"



**② SILL DETAIL (CLAD)**  
 ARCH REF: 1'-0"=1'-0"



**③ HEAD DETAIL**  
 ARCH REF: 1'-0"=1'-0"



**④ SILL DETAIL**  
 ARCH REF: 1'-0"=1'-0"

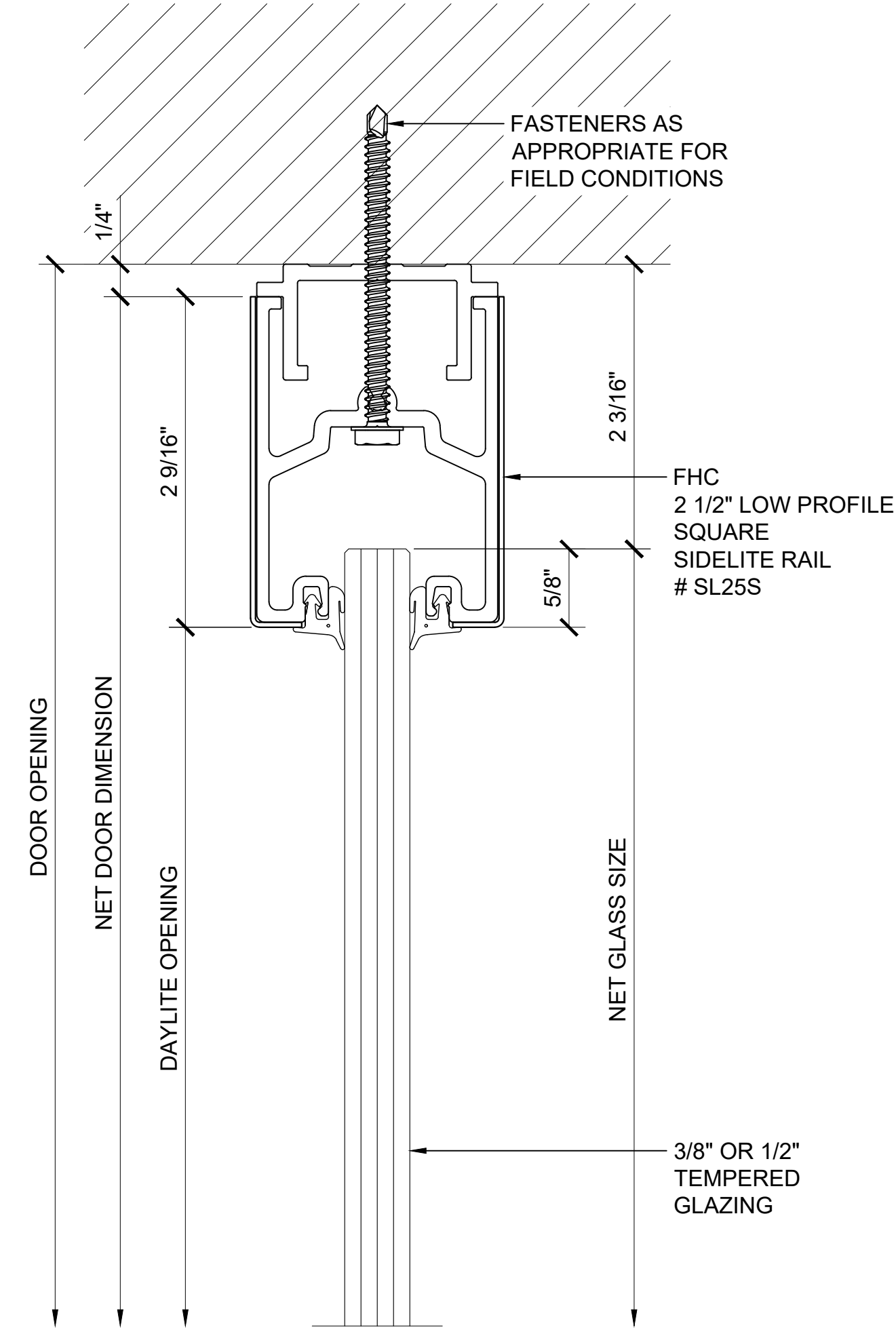
Architect: \_\_\_\_\_ Phone: \_\_\_\_\_  
 Job Name: \_\_\_\_\_ Fax: \_\_\_\_\_  
 Contact: \_\_\_\_\_

Customer: \_\_\_\_\_ Phone: \_\_\_\_\_  
 Job Name: \_\_\_\_\_ Fax: \_\_\_\_\_  
 Contact: \_\_\_\_\_

Drawn By: AAD  
 Checked By: PM  
 Date: 00/00/19  
 Scale: AS NOTED  
 Project #: 000000

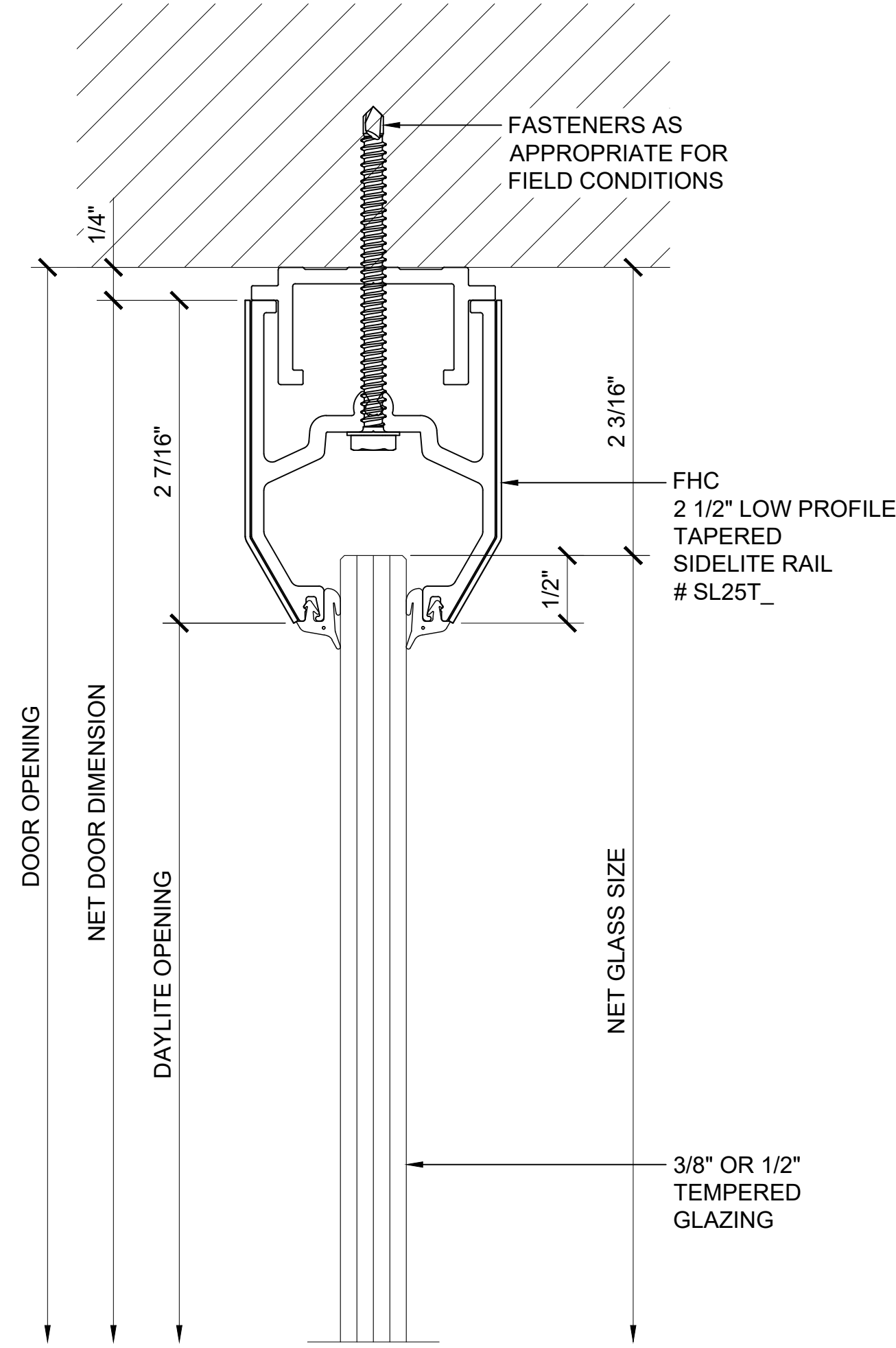
REV#	DATE	DRAWN BY
0	03/26/20	AAD
1		
2		
3		
4		
5		
6		

Sheet No.



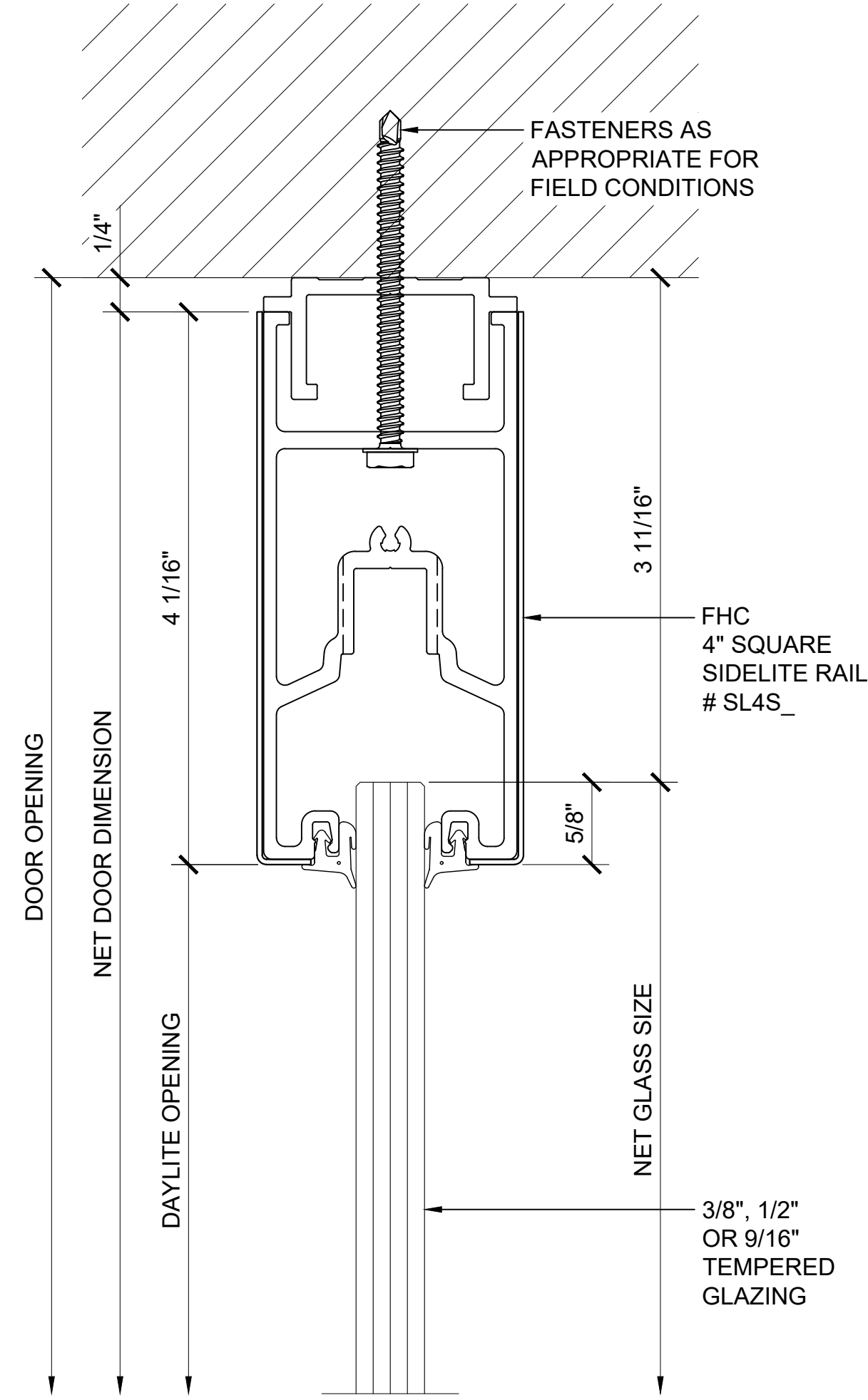
**1 HEAD DETAIL**

ARCH REF: 1'-0"=1'-0"



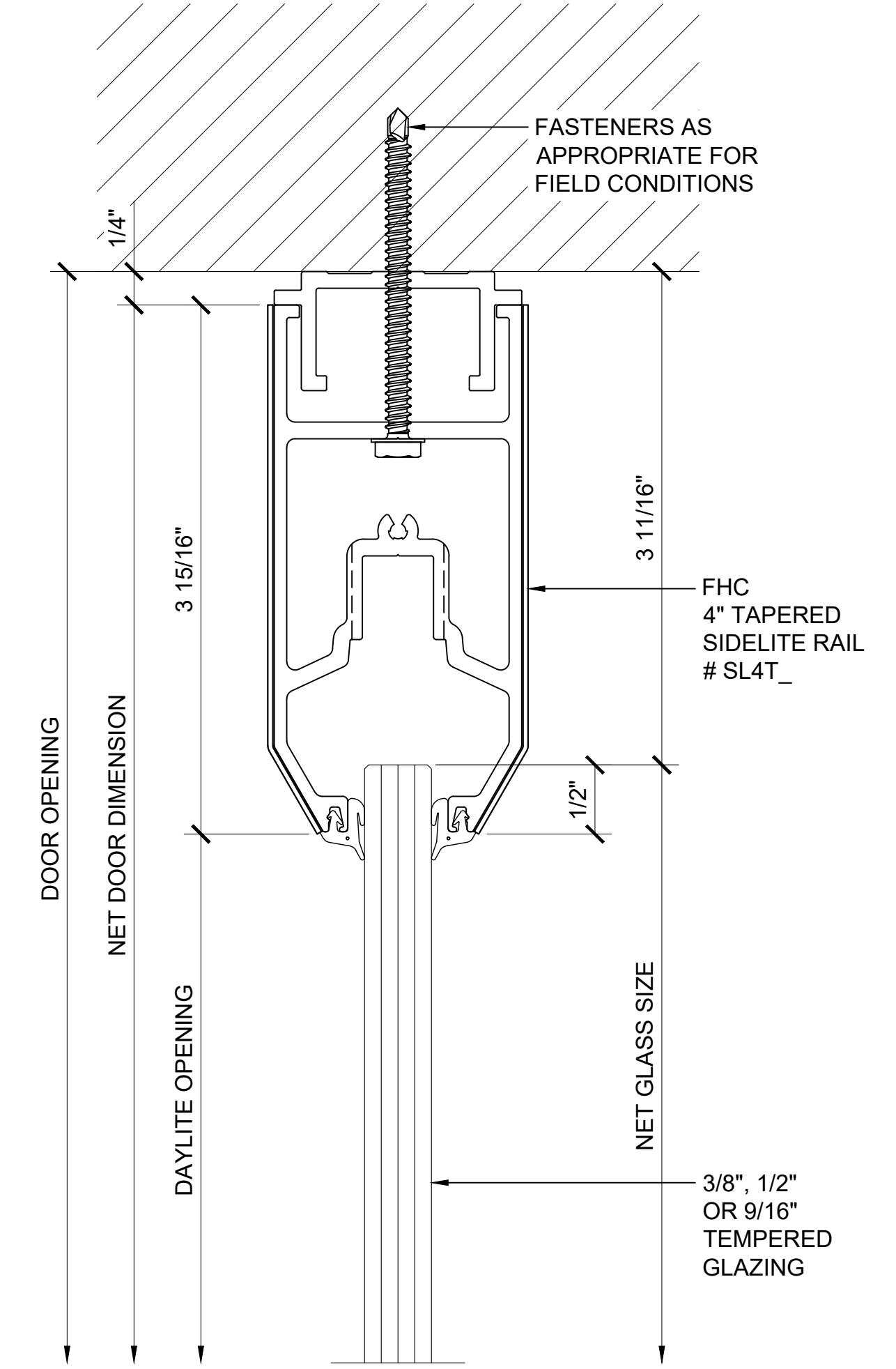
**3 HEAD DETAIL**

ARCH REF: 1'-0"=1'-0"



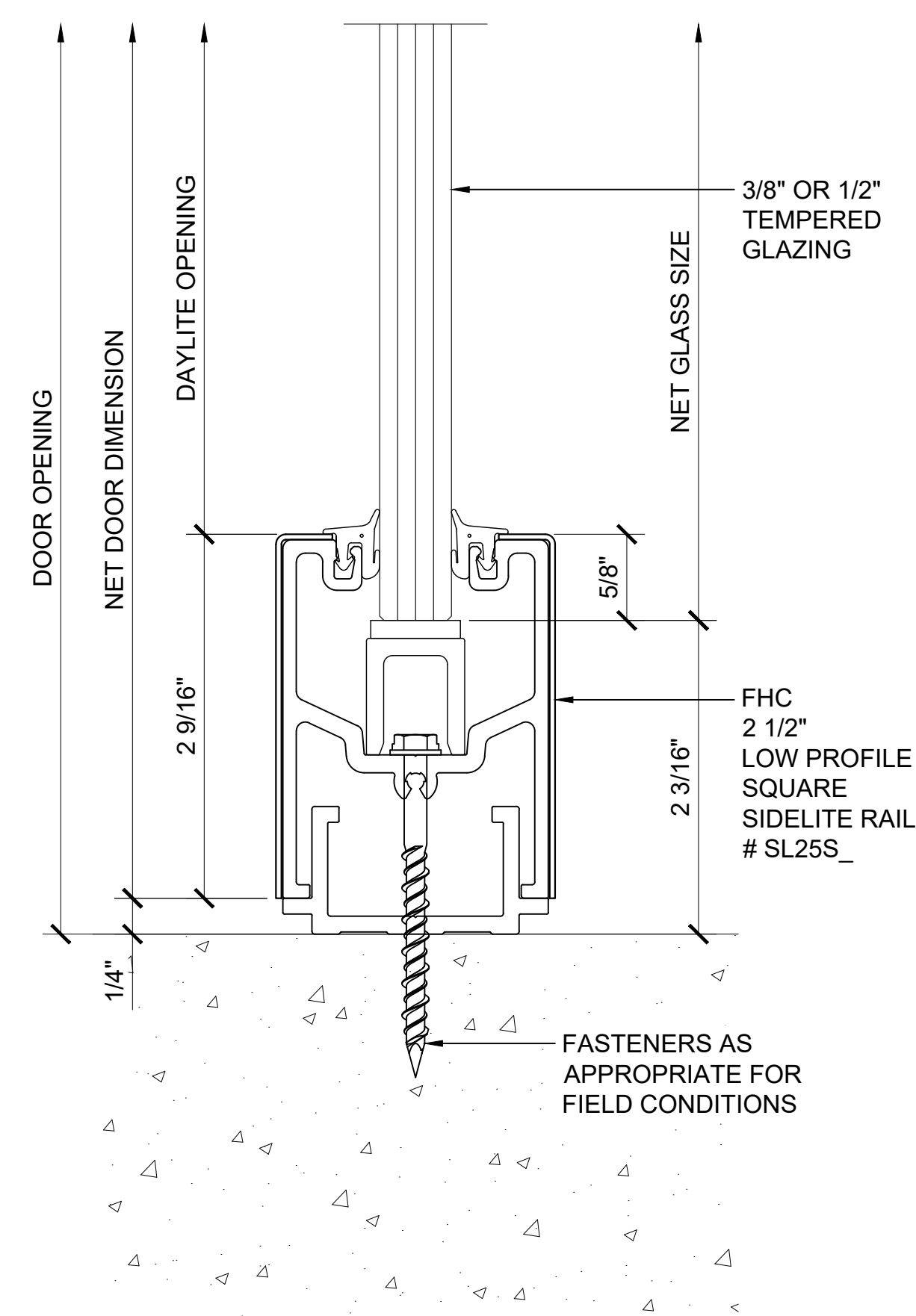
**5 HEAD DETAIL**

ARCH REF: 1'-0"=1'-0"



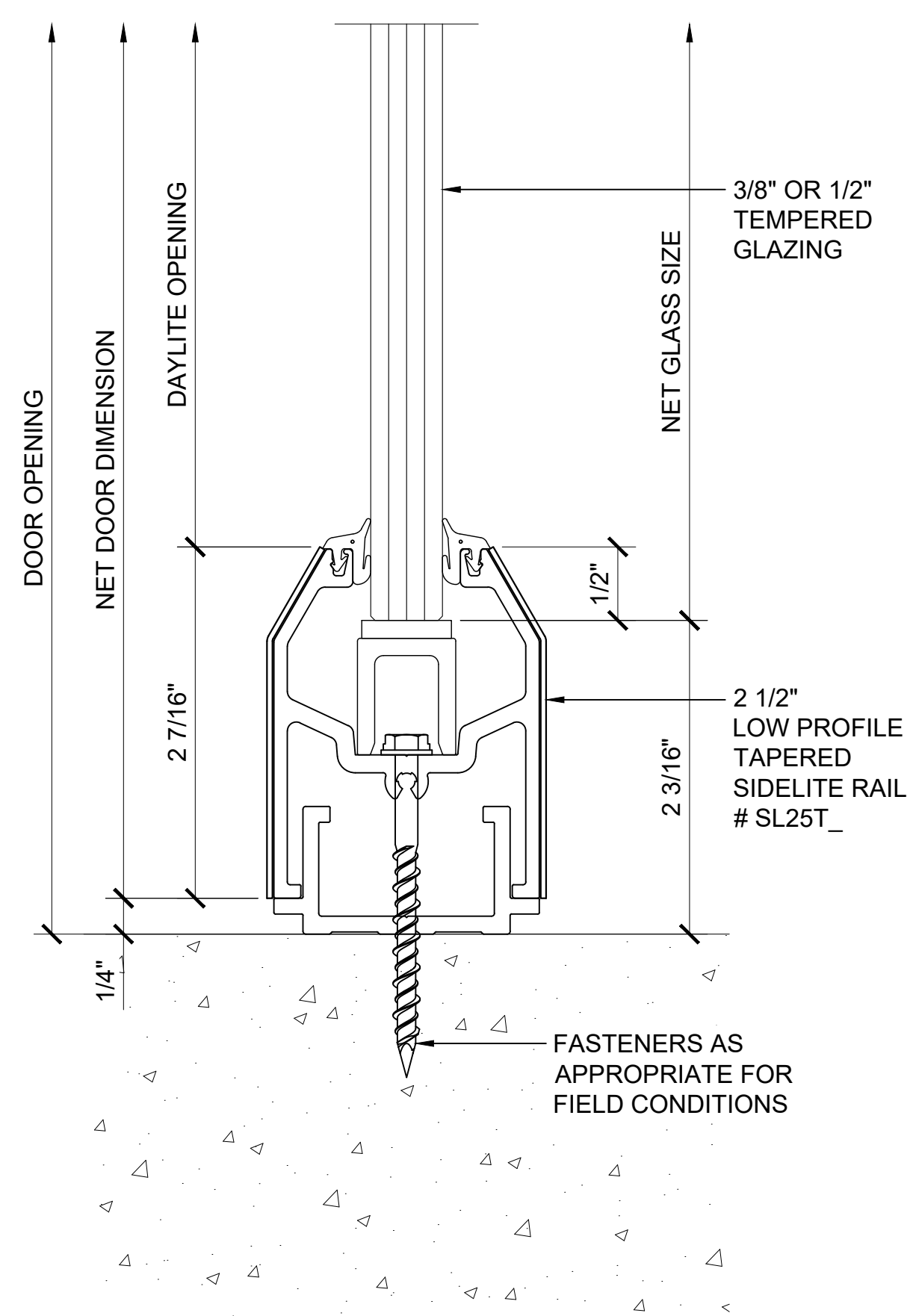
**7 HEAD DETAIL**

ARCH REF: 1'-0"=1'-0"



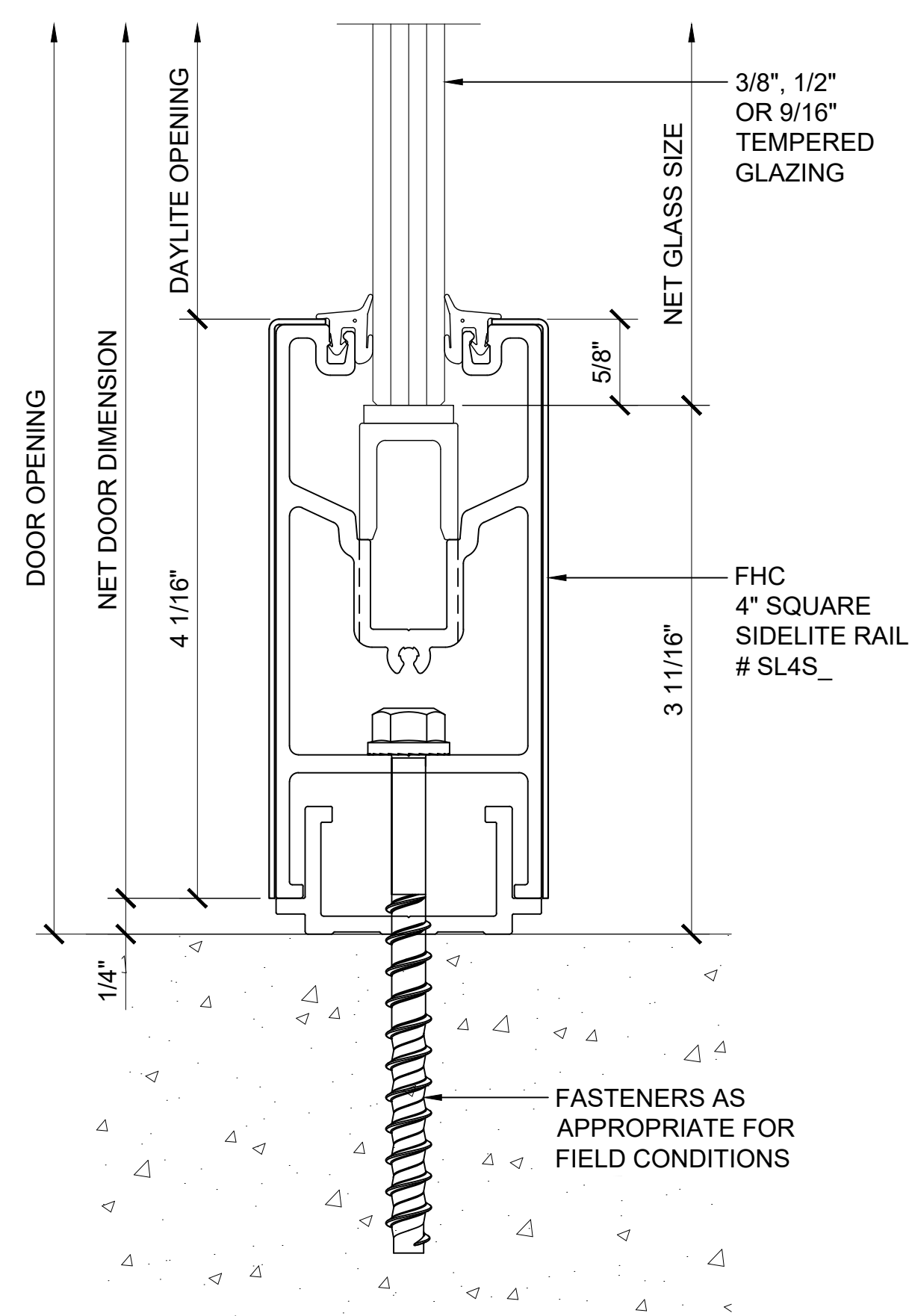
**2 SILL DETAIL**

ARCH REF: 1'-0"=1'-0"



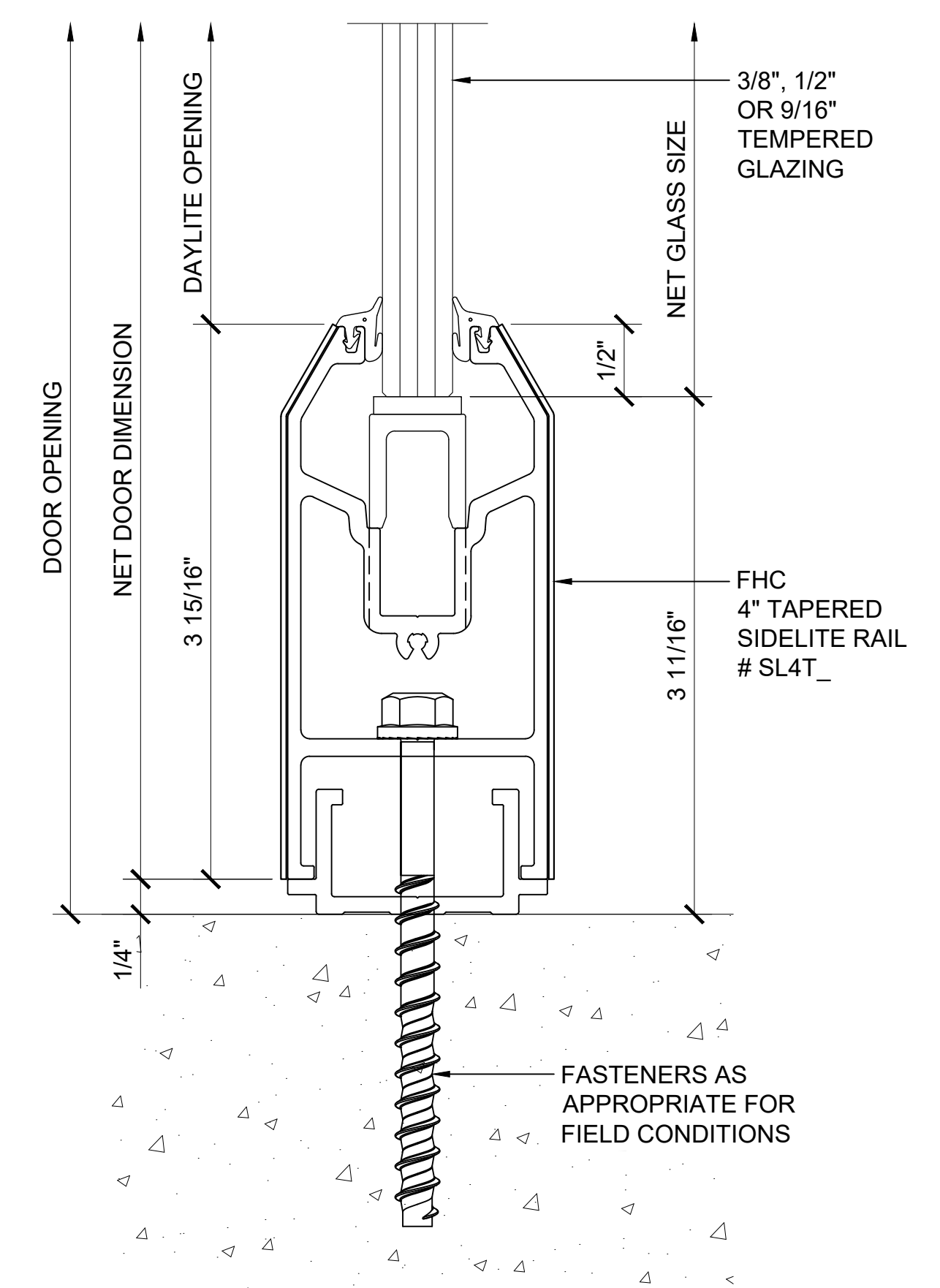
**4 SILL DETAIL**

ARCH REF: 1'-0"=1'-0"



**6 SILL DETAIL**

ARCH REF: 1'-0"=1'-0"



**8 SILL DETAIL**

ARCH REF: 1'-0"=1'-0"

Architect: \_\_\_\_\_  
 Phone: \_\_\_\_\_  
 Fax: \_\_\_\_\_  
 Contact: \_\_\_\_\_

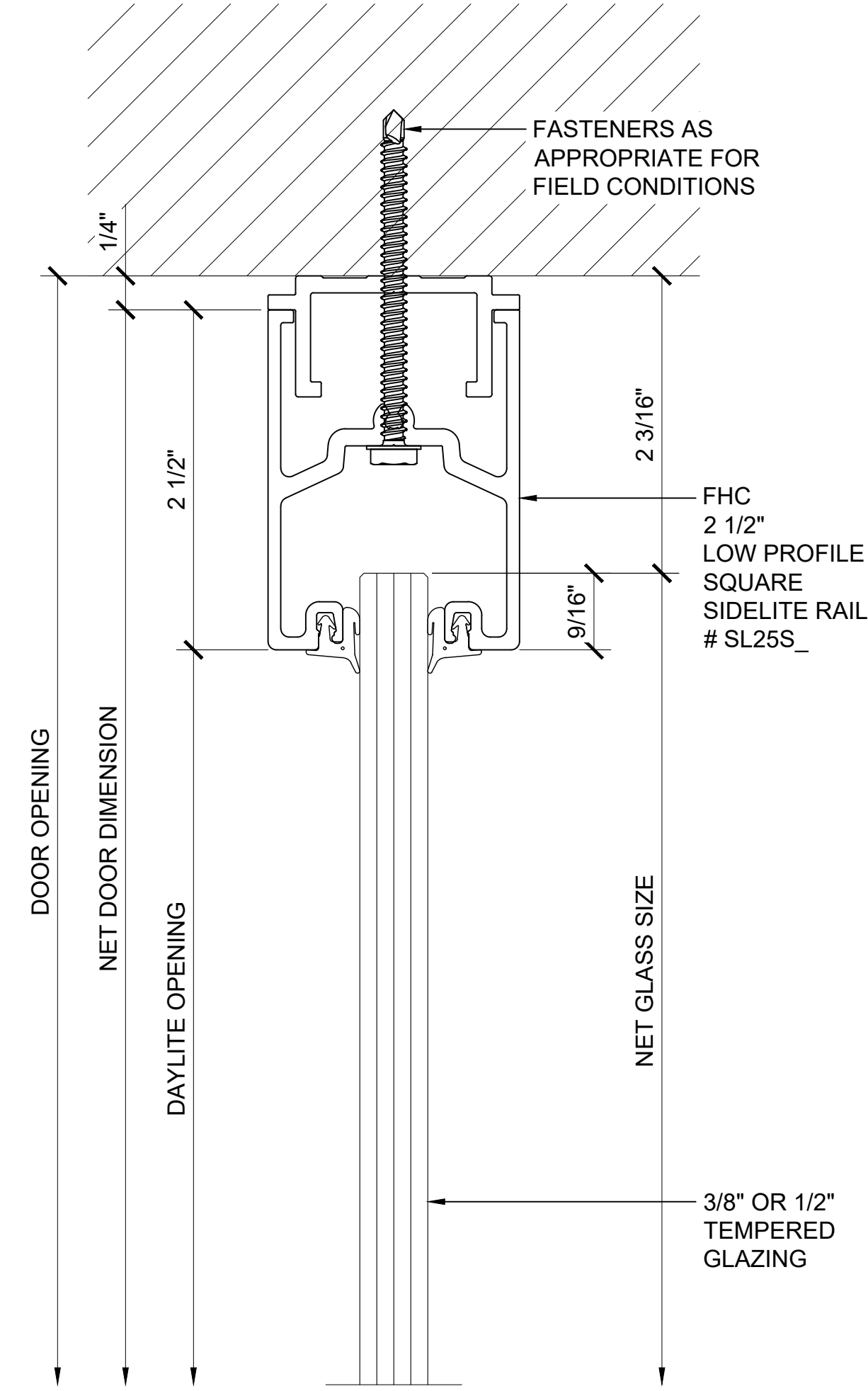
Job Name: \_\_\_\_\_  
 Phone: \_\_\_\_\_  
 Fax: \_\_\_\_\_  
 Contact: \_\_\_\_\_

Customer: \_\_\_\_\_  
 Phone: \_\_\_\_\_  
 Fax: \_\_\_\_\_  
 Contact: \_\_\_\_\_

REV#	DATE	DRAWN BY
0	03/26/20	AAD
1		
2		
3		
4		
5		
6		

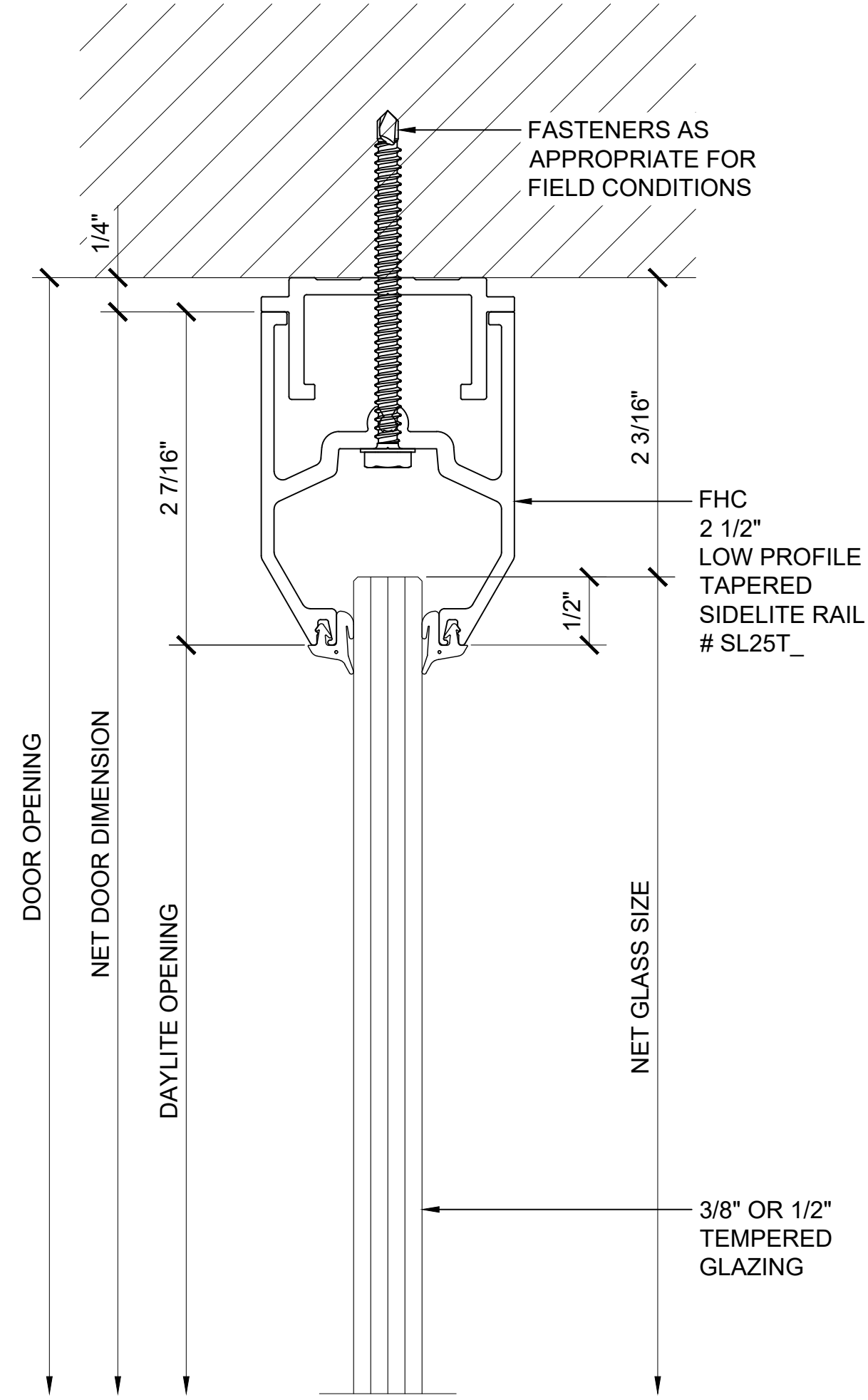
Drawn By: AAD  
 Checked By: PM  
 Date: 00/00/19  
 Scale: AS NOTED  
 Project #: 000000

Sheet No.



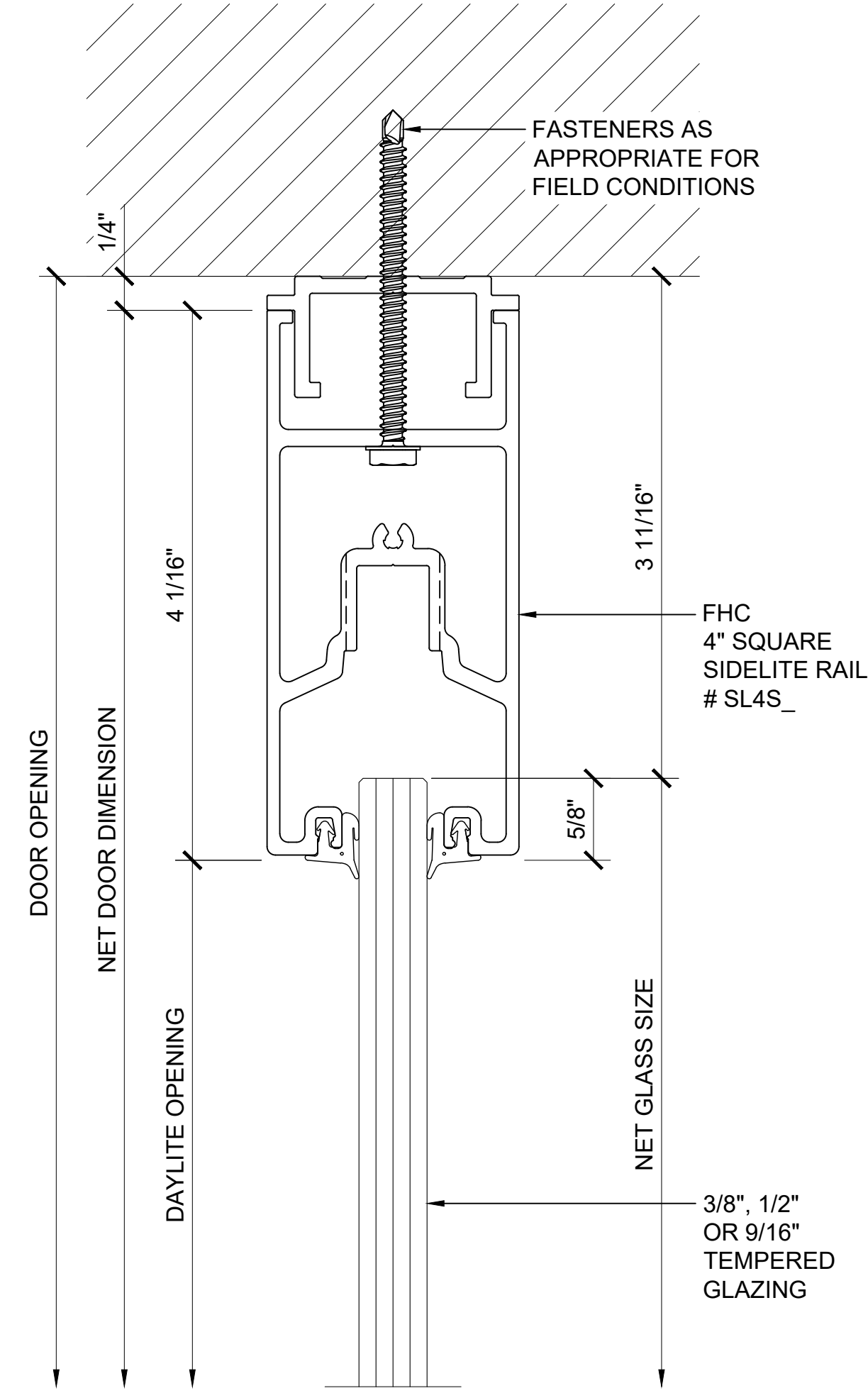
**1 HEAD DETAIL**

ARCH REF: 1'-0"=1'-0"



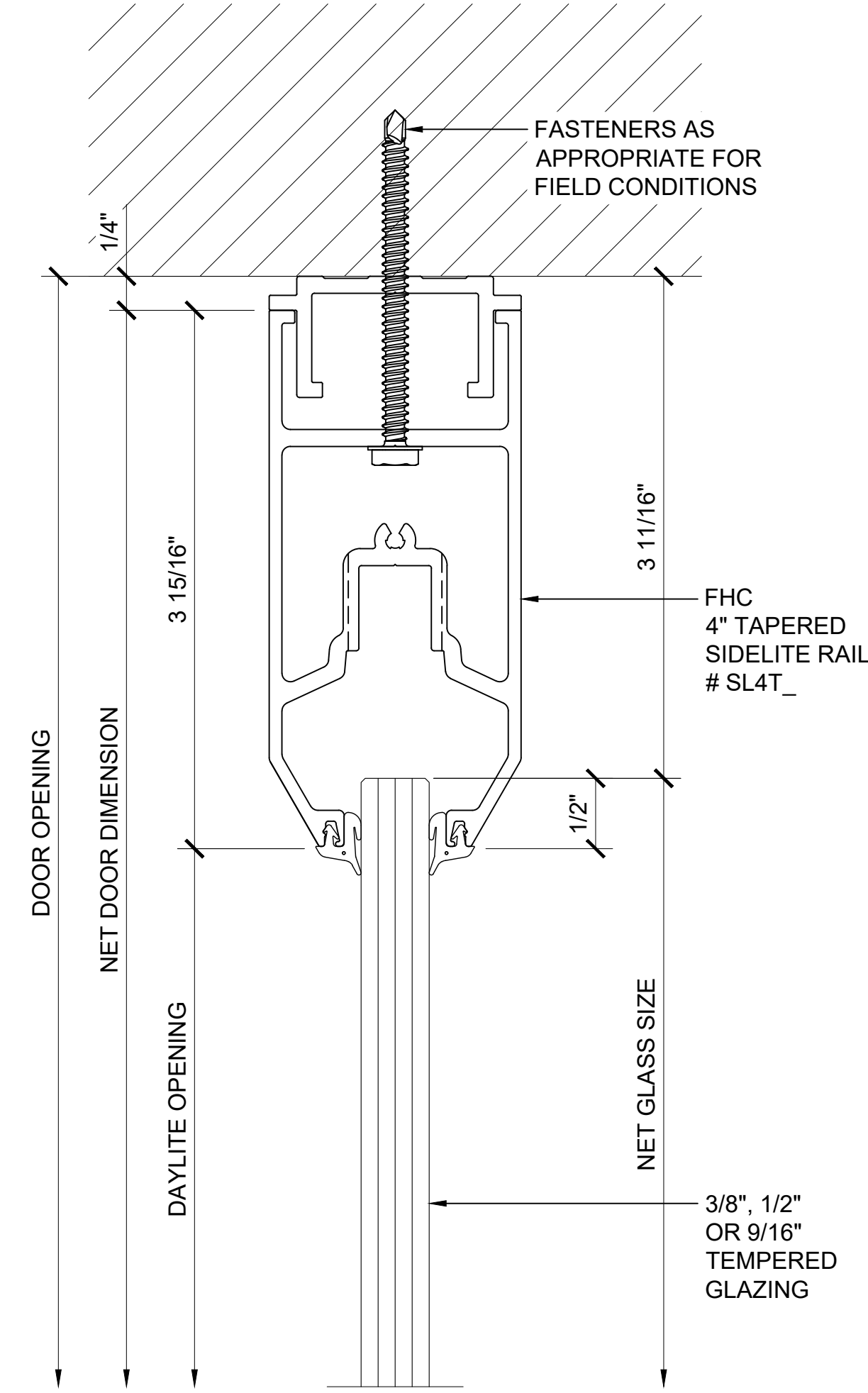
**3 HEAD DETAIL**

ARCH REF: 1'-0"=1'-0"



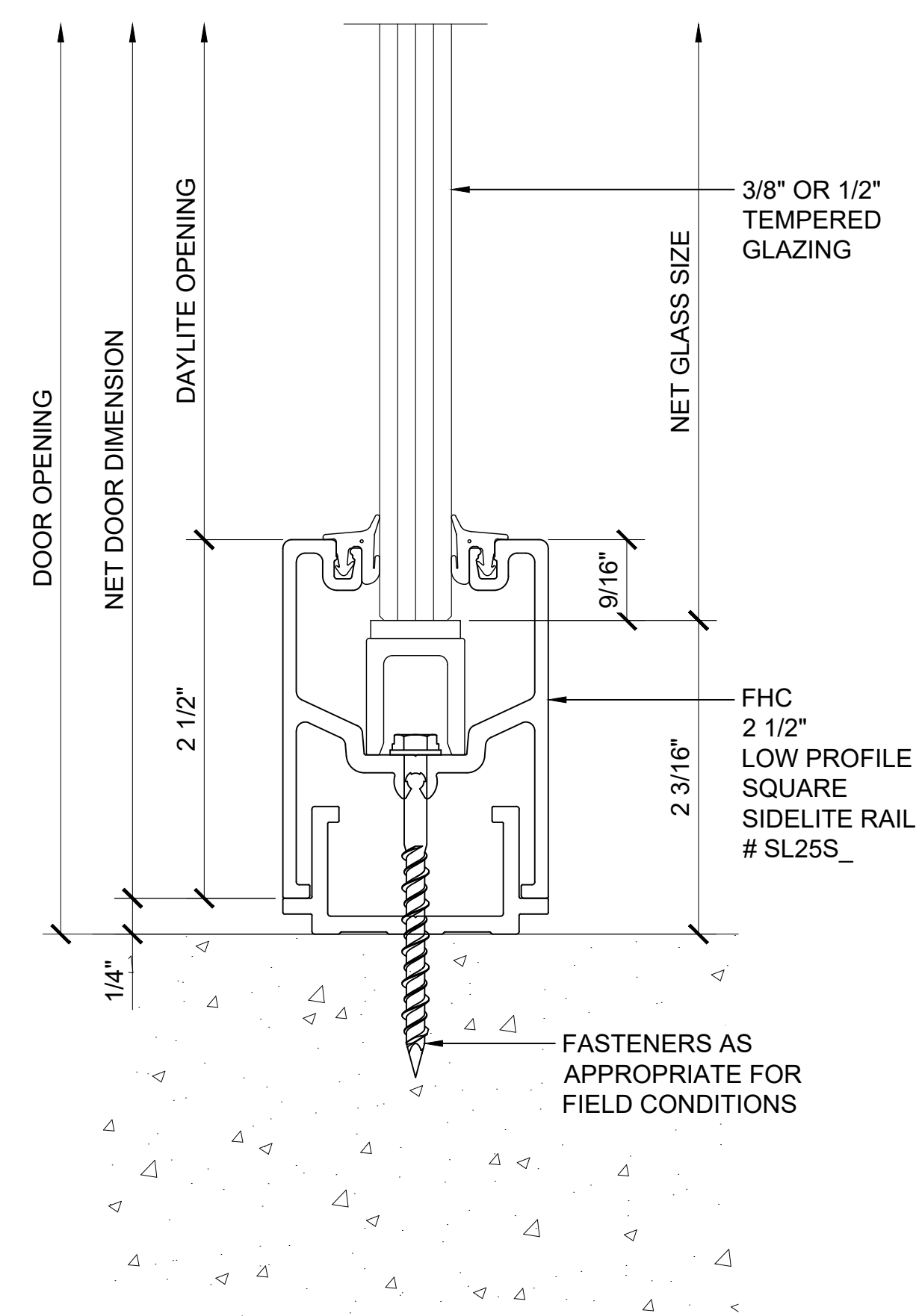
**5 HEAD DETAIL**

ARCH REF: 1'-0"=1'-0"



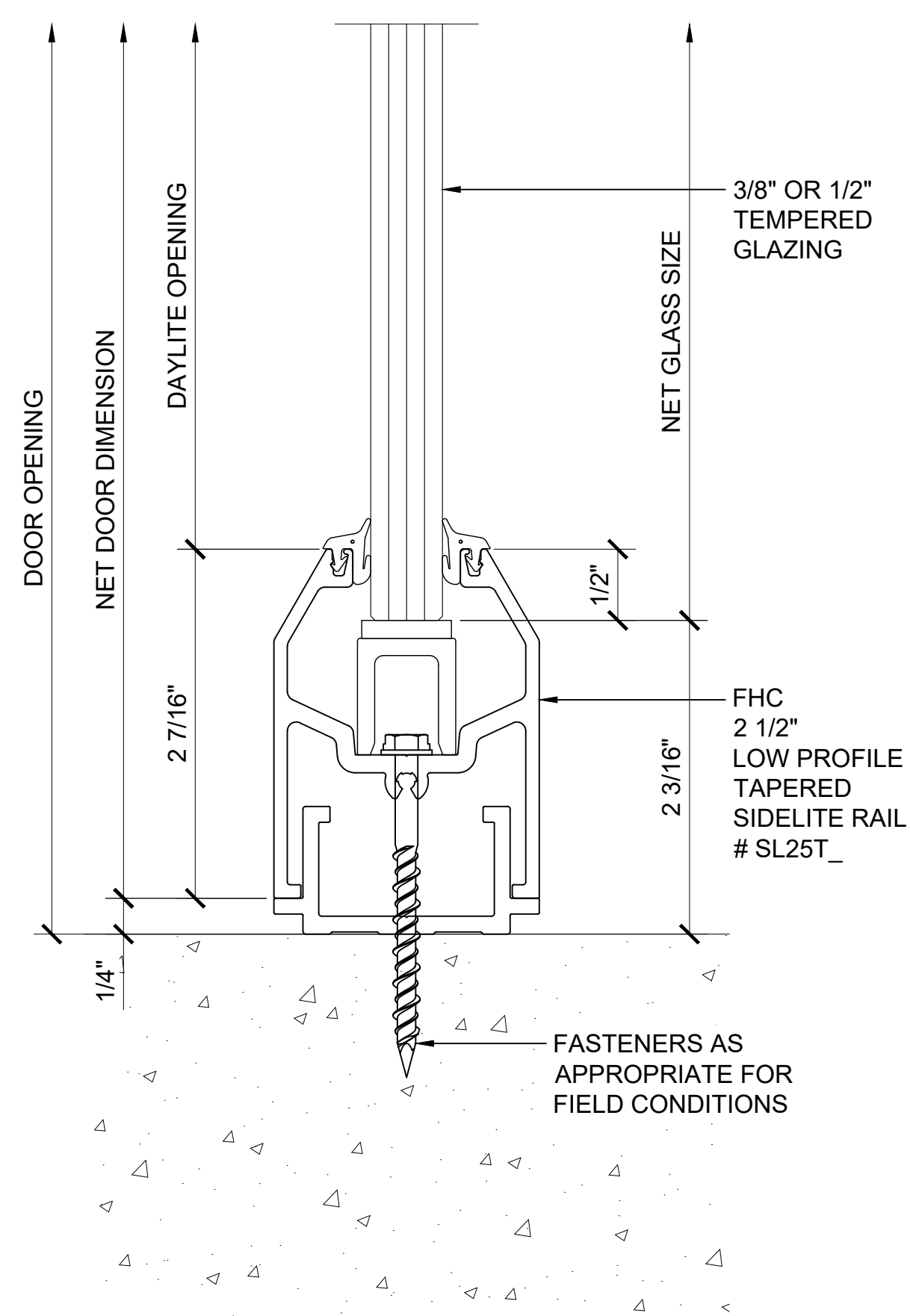
**7 HEAD DETAIL**

ARCH REF: 1'-0"=1'-0"



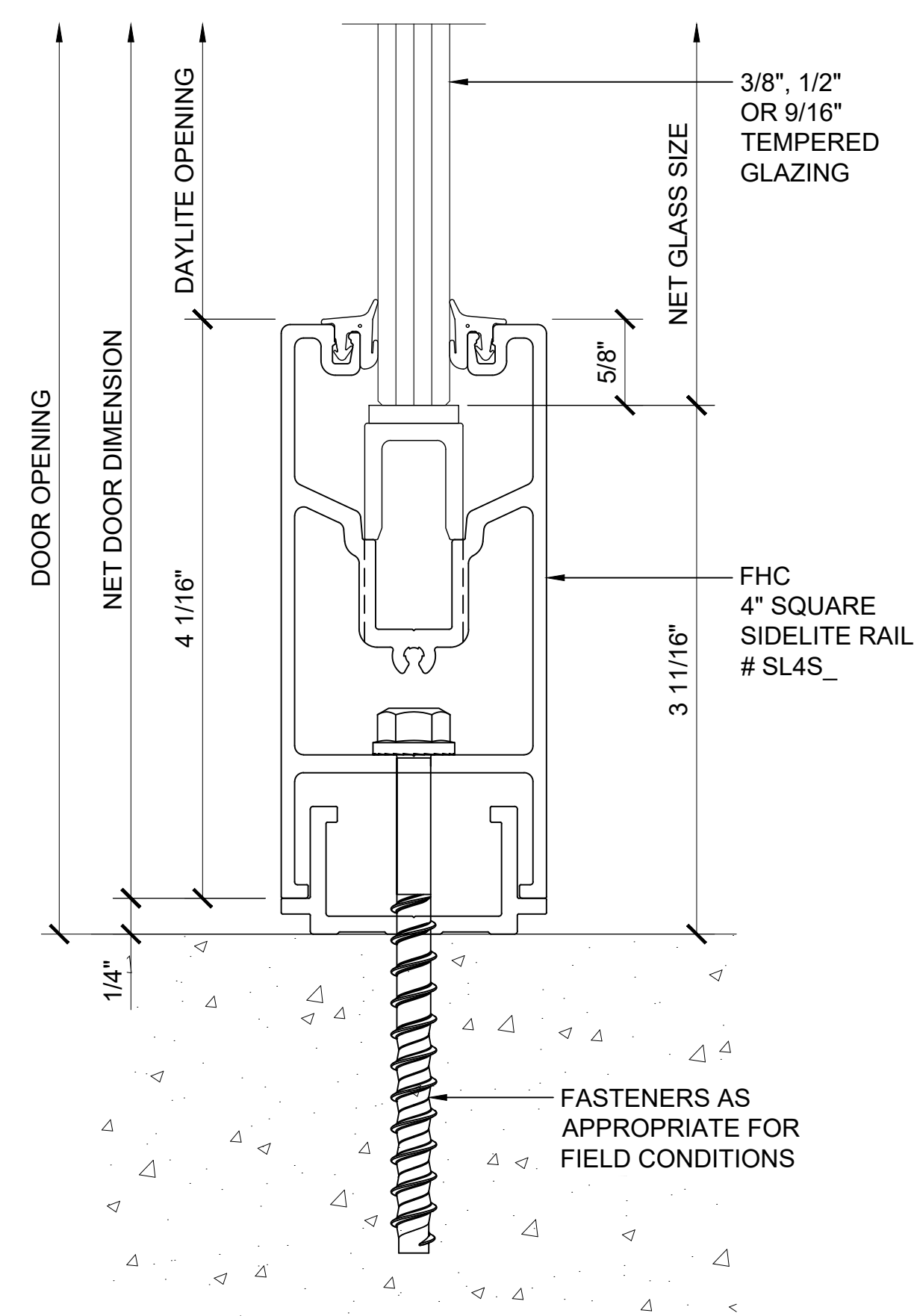
**2 SILL DETAIL**

ARCH REF: 1'-0"=1'-0"



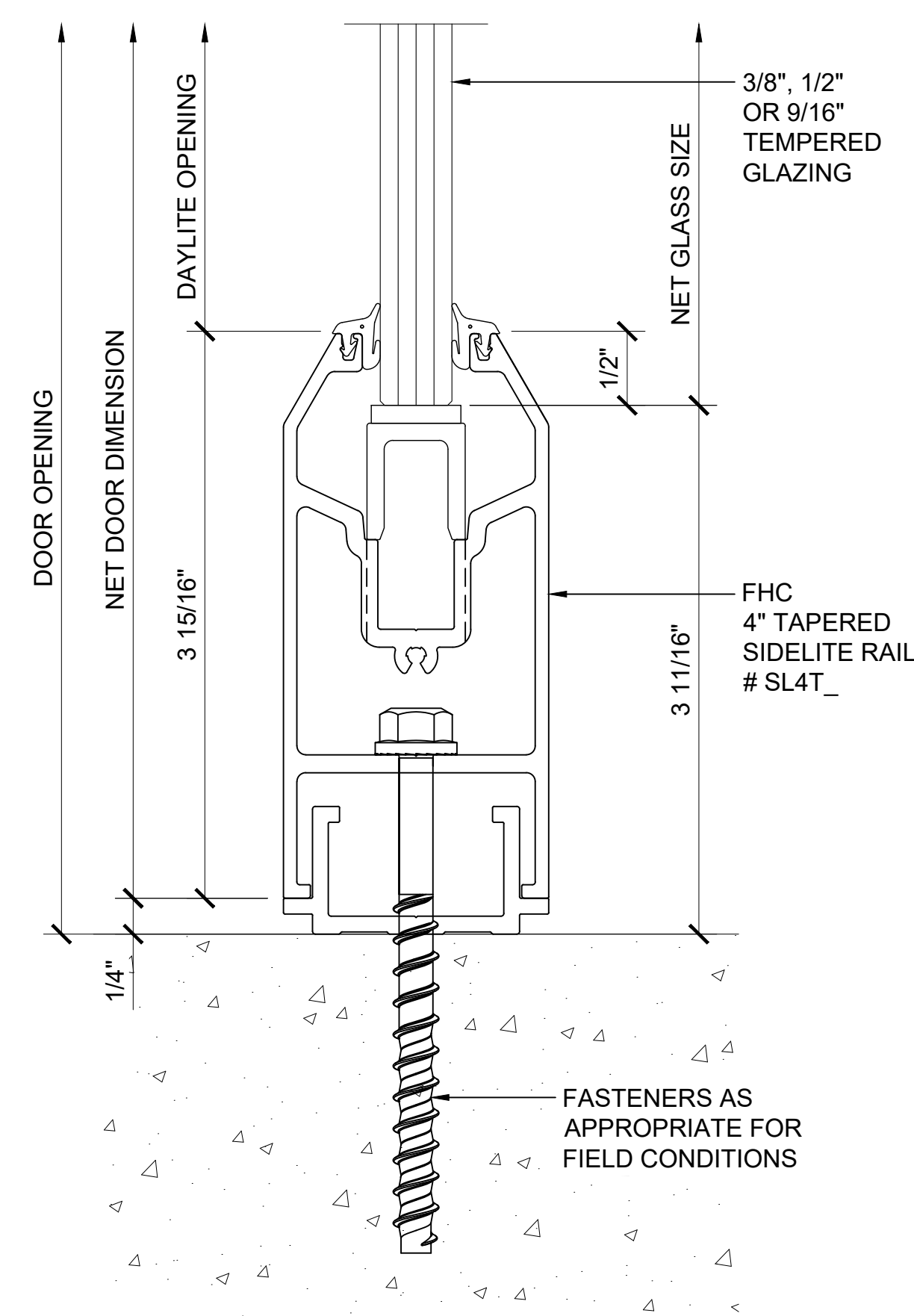
**4 SILL DETAIL**

ARCH REF: 1'-0"=1'-0"



**6 SILL DETAIL**

ARCH REF: 1'-0"=1'-0"



**8 SILL DETAIL**

ARCH REF: 1'-0"=1'-0"

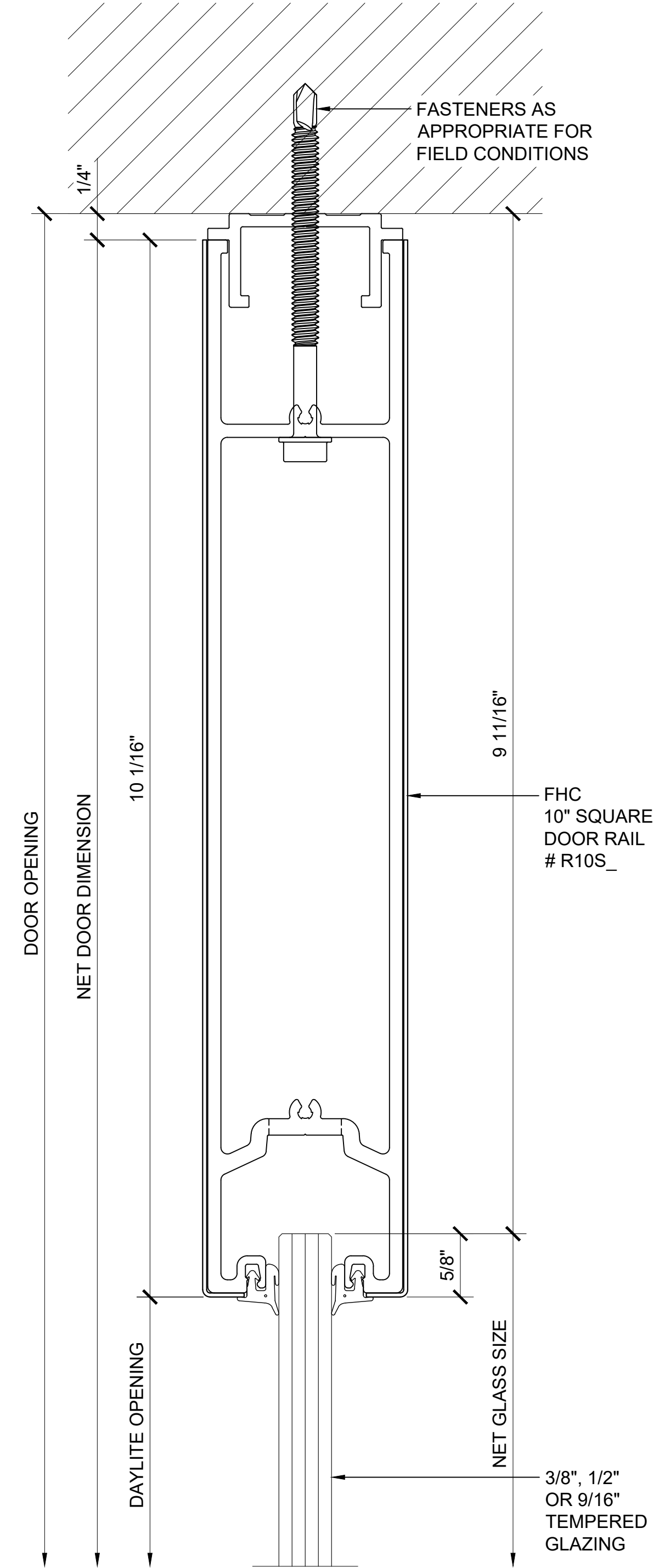
Architect: \_\_\_\_\_  
 Phone: \_\_\_\_\_  
 Fax: \_\_\_\_\_  
 Contact: \_\_\_\_\_

Job Name: \_\_\_\_\_  
 Phone: \_\_\_\_\_  
 Fax: \_\_\_\_\_  
 Contact: \_\_\_\_\_

Customer: \_\_\_\_\_  
 Phone: \_\_\_\_\_  
 Fax: \_\_\_\_\_  
 Contact: \_\_\_\_\_

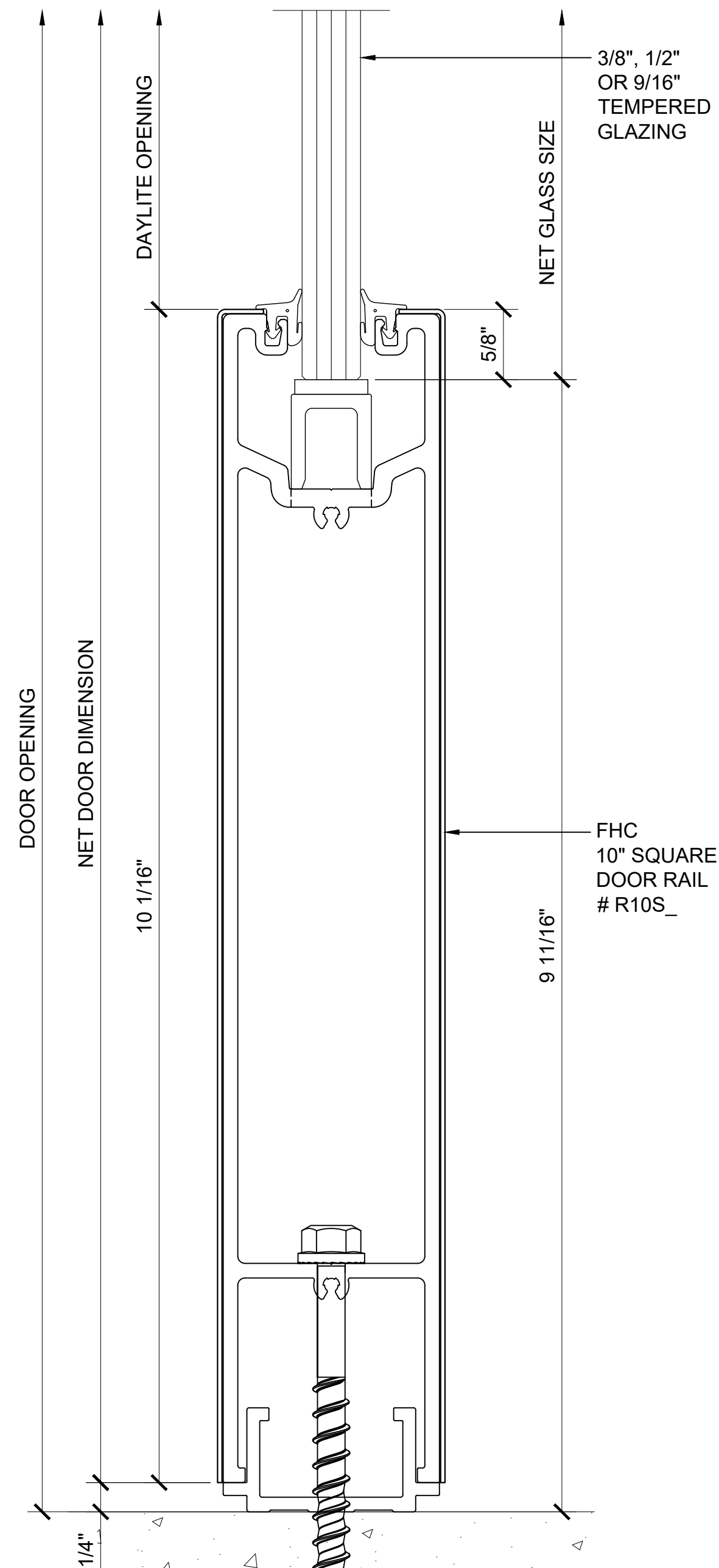
REV#	DATE	DRAWN BY
0	03/26/20	AAD
1		
2		
3		
4		
5		
6		

Drawn By: AAD  
 Checked By: PM  
 Date: 00/00/19  
 Scale: AS NOTED  
 Project #: 000000



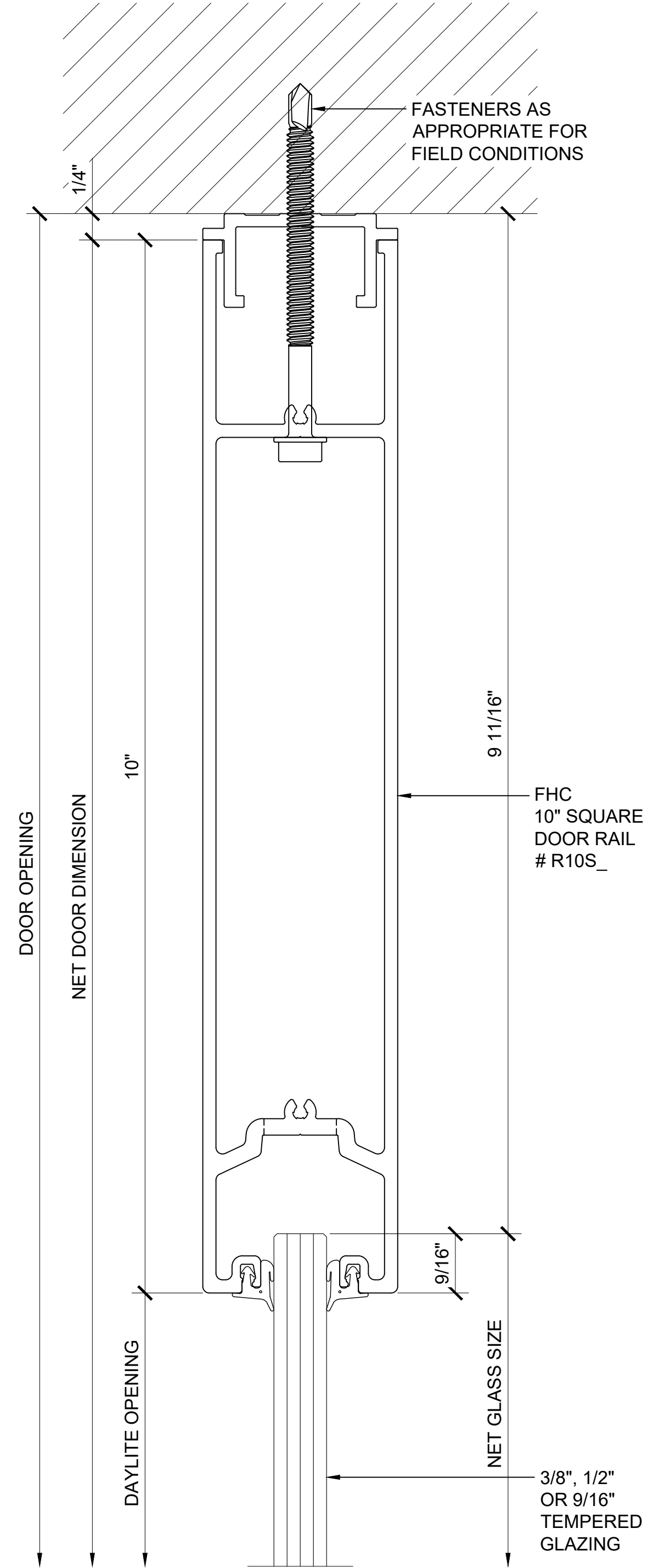
**① HEAD DETAIL (CLAD)**

ARCH REF: 1'-0"=1'-0"



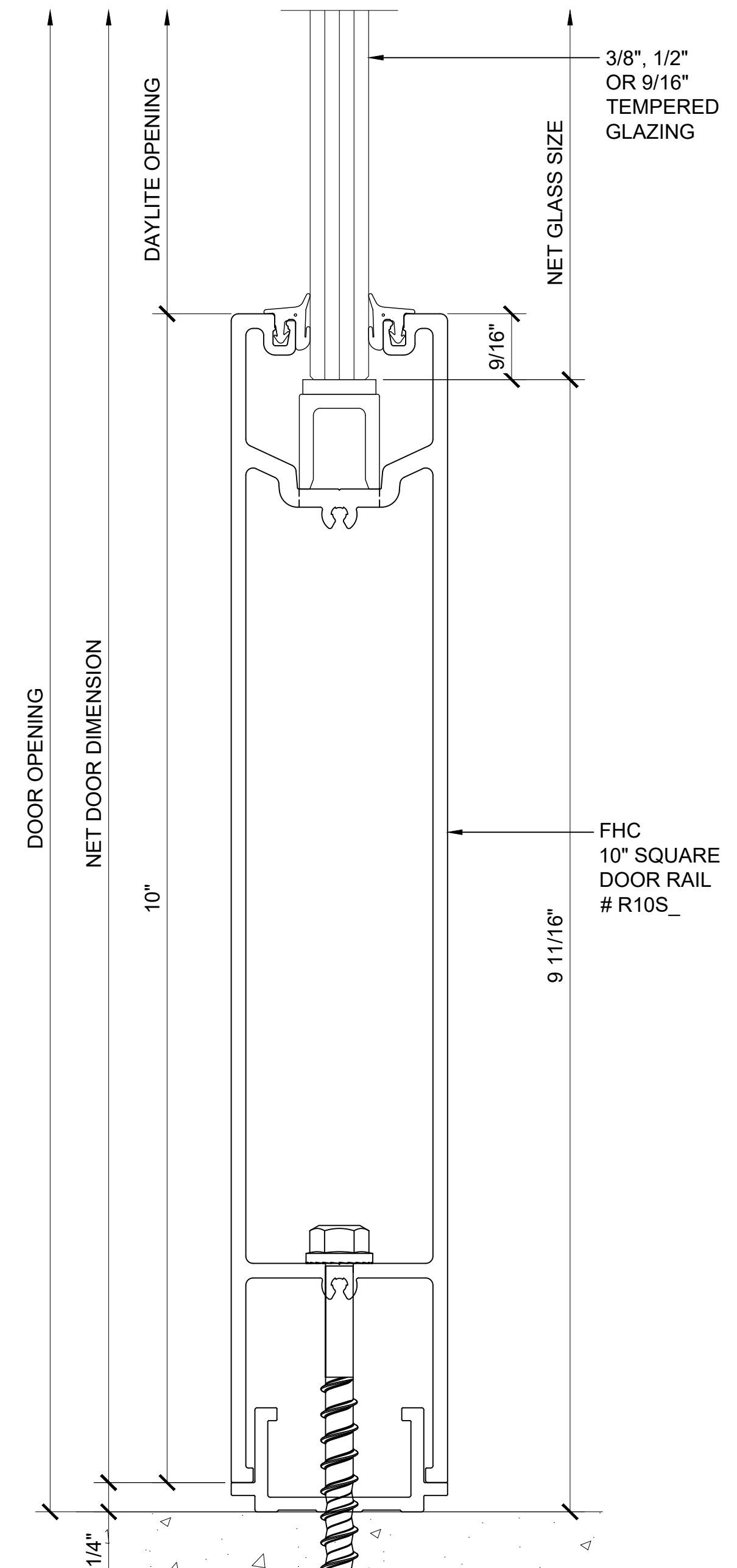
**② SILL DETAIL (CLAD)**

ARCH REF: 1'-0"=1'-0"



**③ HEAD DETAIL**

ARCH REF: 1'-0"=1'-0"



**④ SILL DETAIL**

ARCH REF: 1'-0"=1'-0"

Architect: \_\_\_\_\_ Phone: \_\_\_\_\_  
 \_\_\_\_\_ Fax: \_\_\_\_\_  
 \_\_\_\_\_ Contact: \_\_\_\_\_

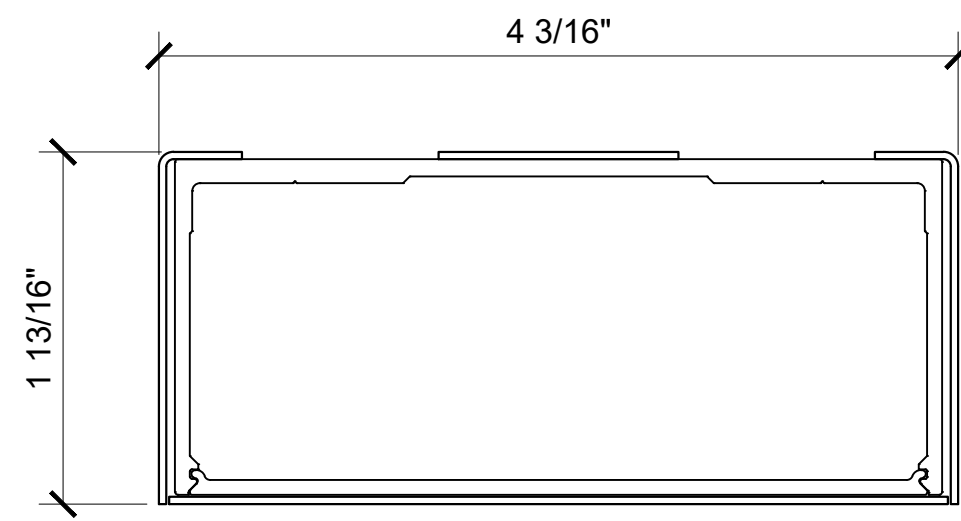
Job Name: \_\_\_\_\_ Phone: \_\_\_\_\_  
 \_\_\_\_\_ Fax: \_\_\_\_\_  
 \_\_\_\_\_ Contact: \_\_\_\_\_

Customer: \_\_\_\_\_ Phone: \_\_\_\_\_  
 \_\_\_\_\_ Fax: \_\_\_\_\_  
 \_\_\_\_\_ Contact: \_\_\_\_\_

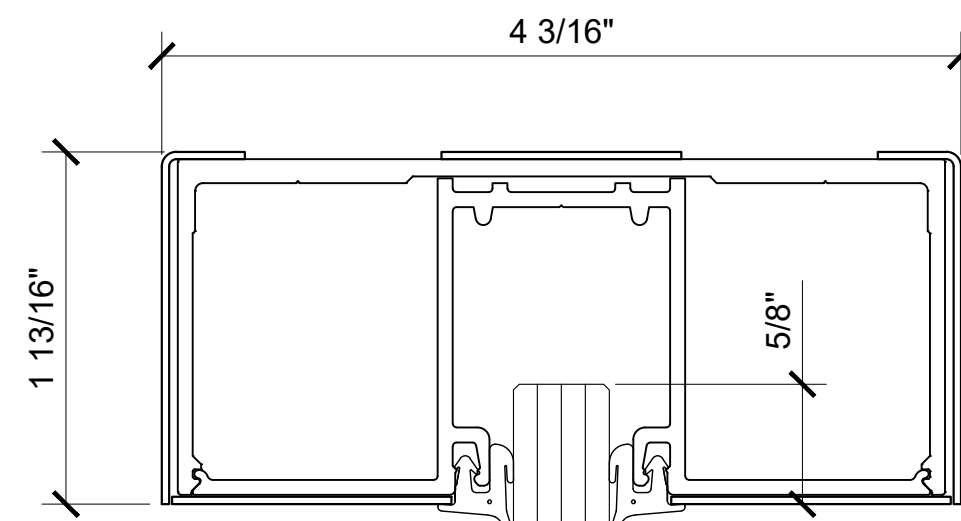
REV#	DATE	DRAWN BY
0	03/26/20	AAD
1		
2		
3		
4		
5		
6		

Drawn By: AAD  
 Checked By: PM  
 Date: 00/00/19  
 Scale: AS NOTED  
 Project #: 000000

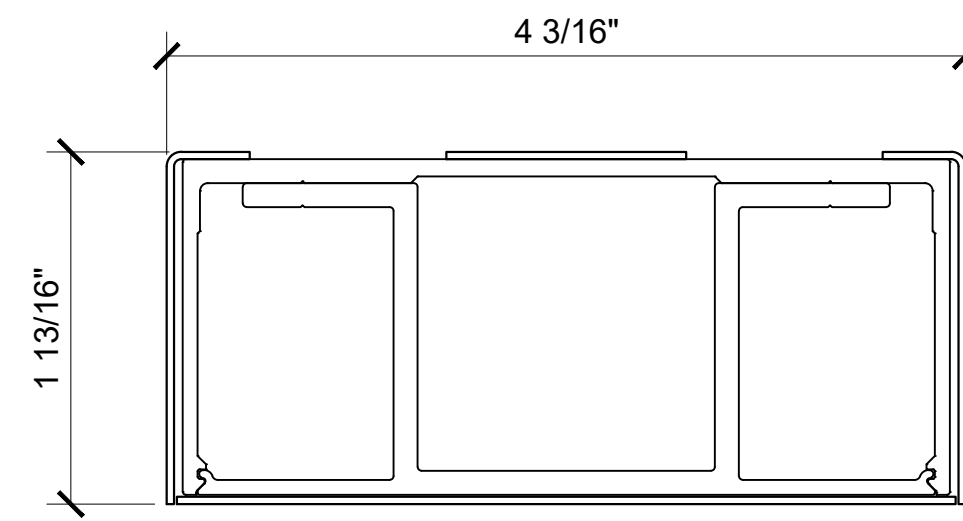
# FHC STANDARD CLAD HEADER CONFIGURATIONS



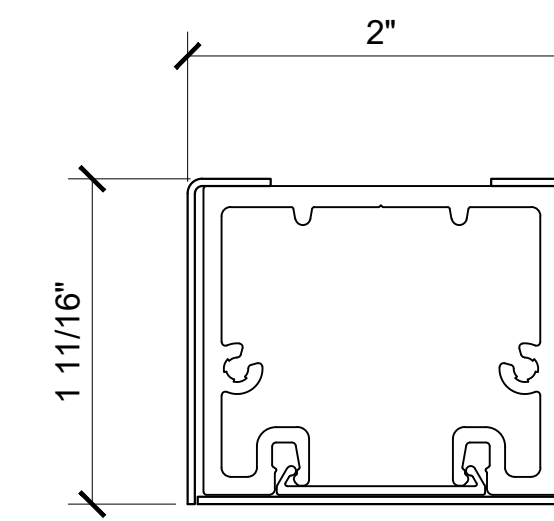
1 3/4" X 4" CLAD HEADER  
FHC ITEM# H4\_



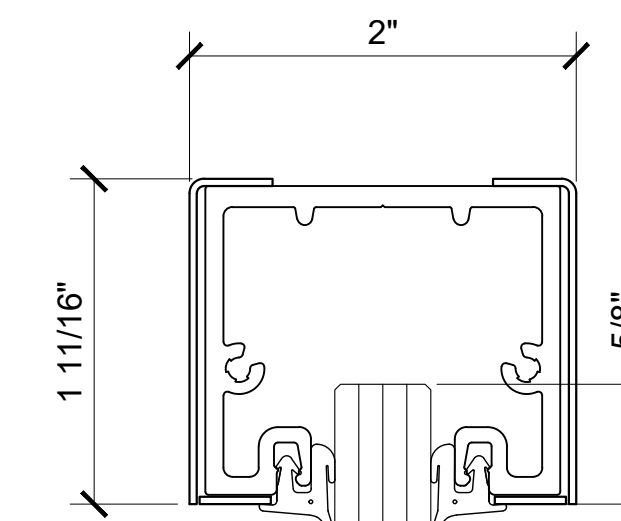
1 3/4" X 4" CLAD HEADER  
WITH GLASS POCKET  
FHC ITEM# PH4\_



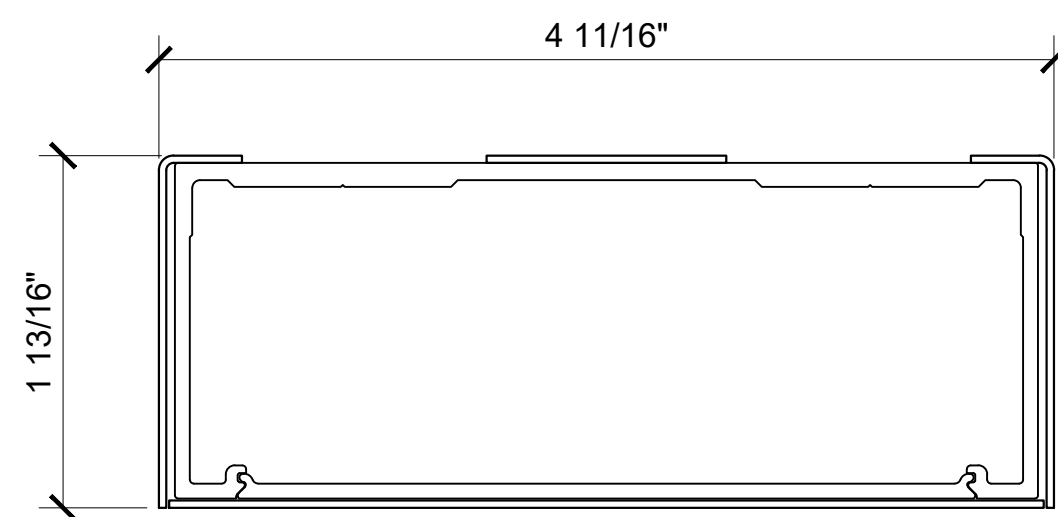
1 3/4" X 4" CLAD HEADER  
WITH HARDWARE ADAPTER  
FHC ITEM# H4\_HA



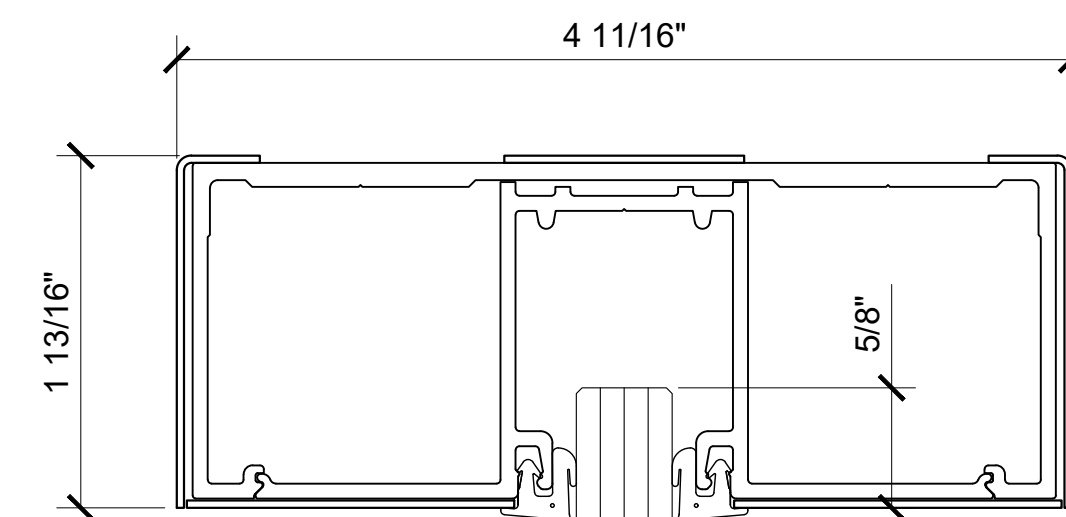
1 7/8" X 1 5/8" CLAD  
NARROW WIDTH HEADER  
FHC ITEM# NWH\_



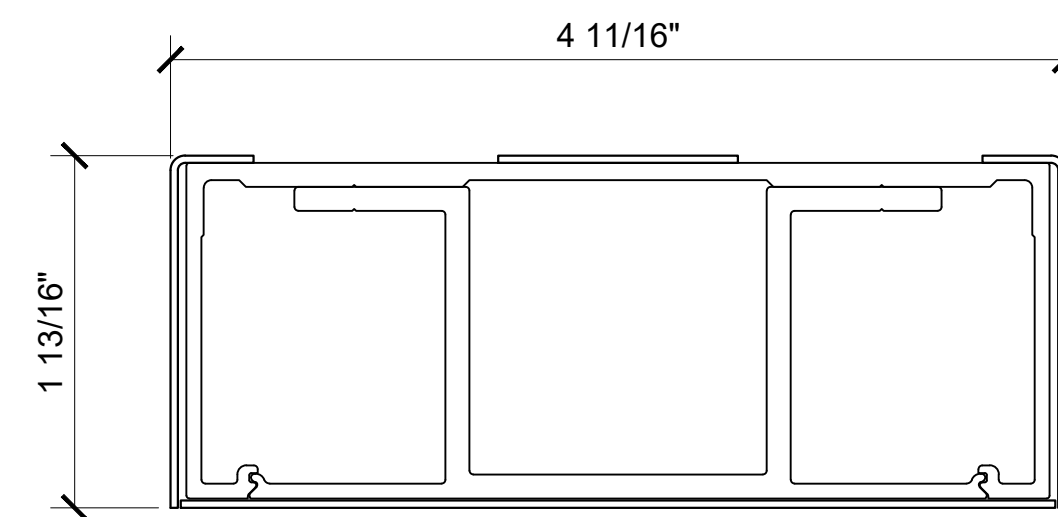
1 7/8" X 1 5/8" CLAD  
NARROW WIDTH  
DEEP CHANNEL  
FHC ITEM# NWD\_



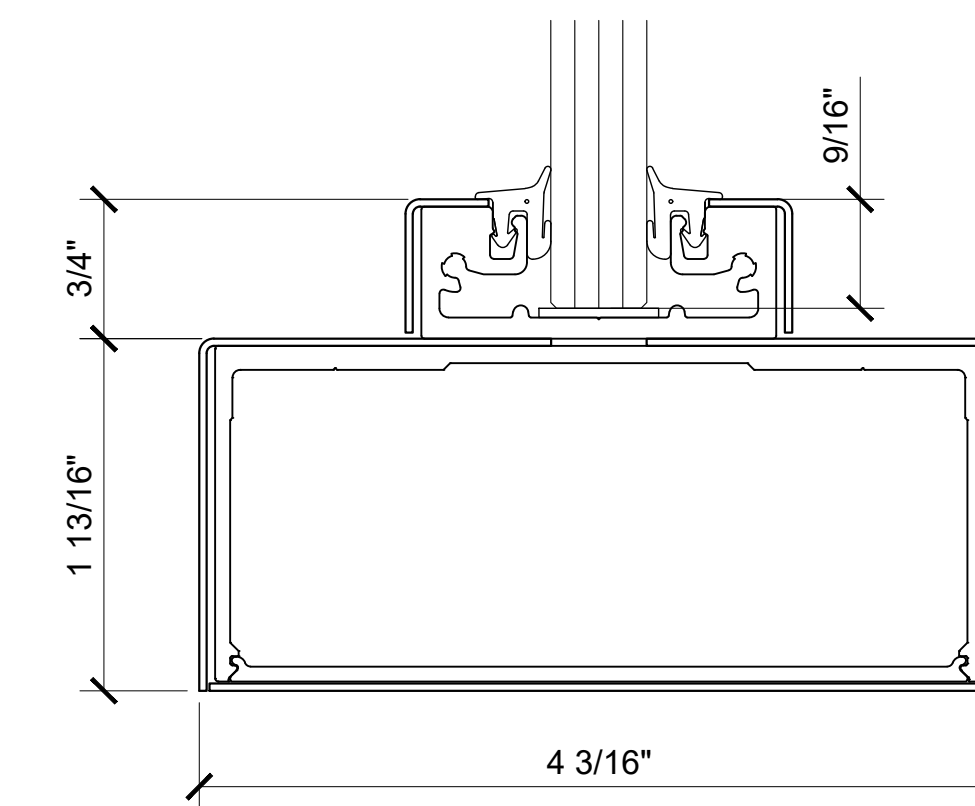
1 3/4" X 4 1/2" CLAD HEADER  
FHC TEM# H45\_



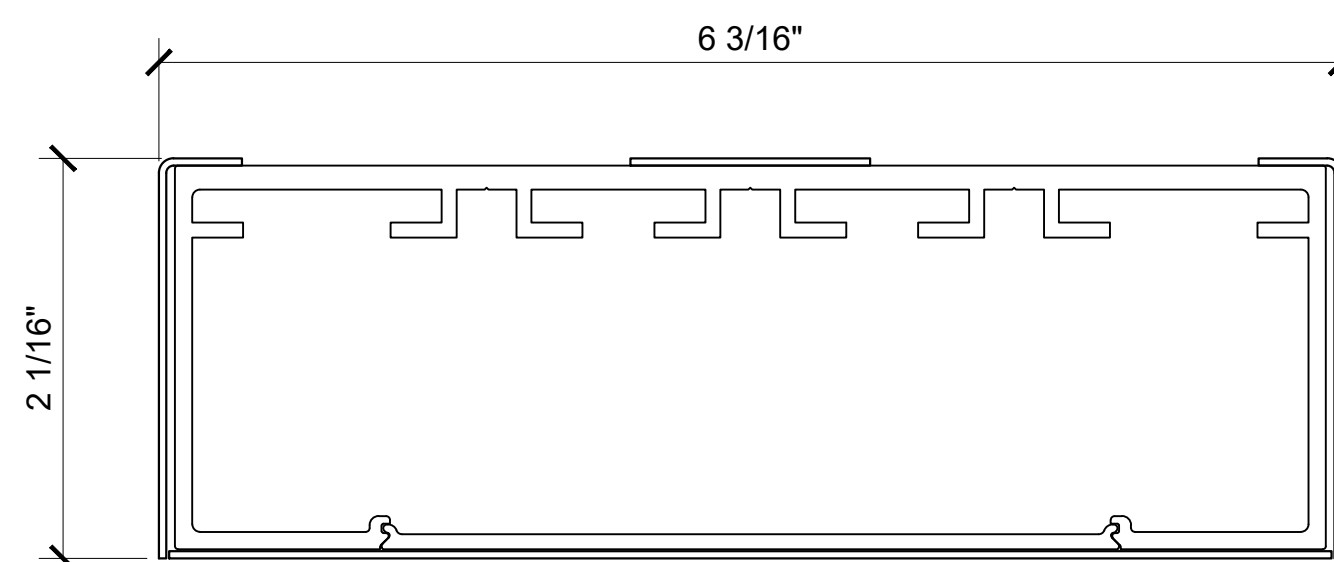
1 3/4" X 4 1/2" CLAD HEADER  
WITH GLASS POCKET  
FHC ITEM# PH45\_



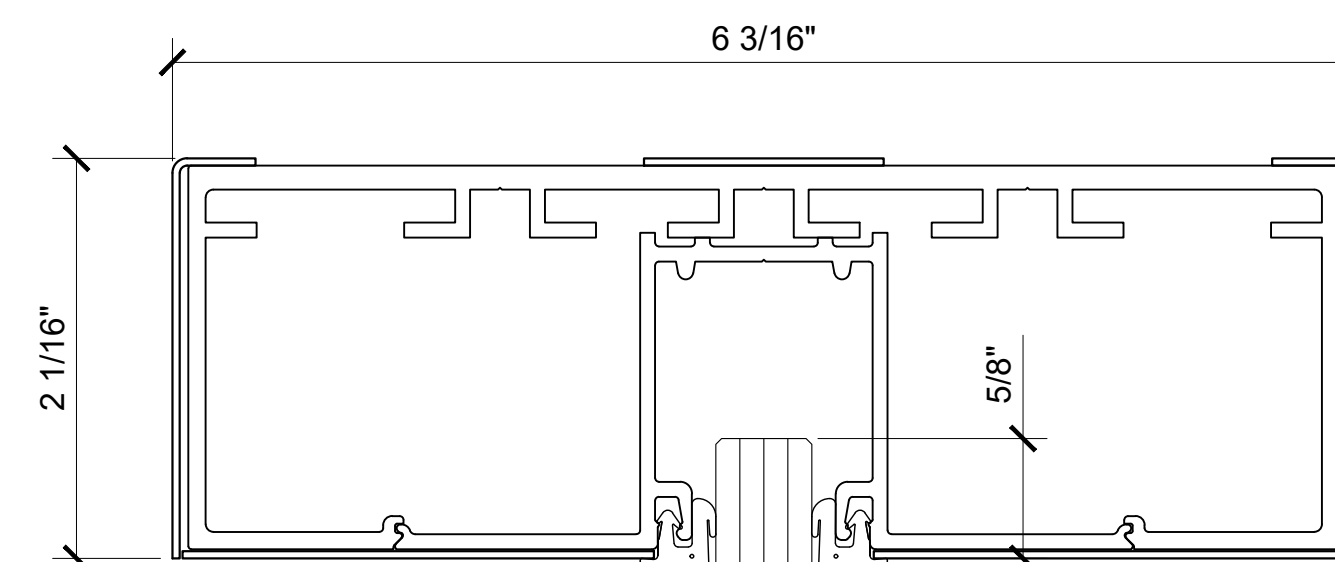
1 3/4" X 4 1/2" CLAD HEADER  
WITH HARDWARE ADAPTER  
FHC ITEM# H45\_HA



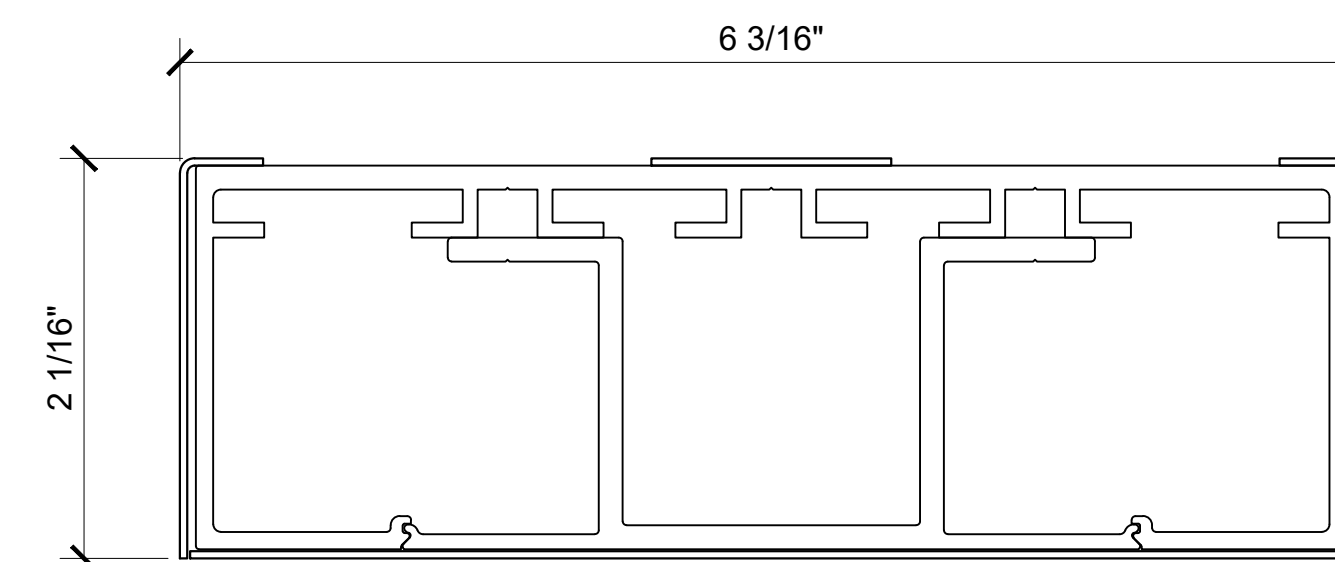
1 3/4" X 4" CLAD FLOATING  
HEADER WITH TRANSOM  
FHC ITEM# HF4\_



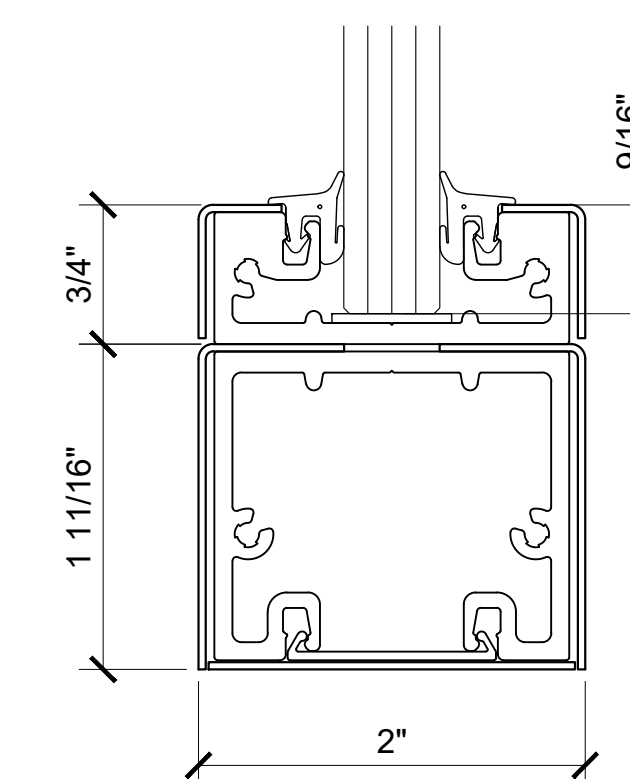
2" X 6" CLAD HEADER  
FHC ITEM# H6\_



2" X 6" CLAD HEADER  
WITH GLASS POCKET  
FHC ITEM# PH6\_



2" X 6" CLAD HEADER  
WITH HARDWARE ADAPTER  
FHC ITEM# H6\_HA



1 7/8" X 1 5/8" CLAD  
NARROW WIDTH FLOATING  
HEADER WITH TRANSOM  
FHC ITEM# NWFH\_



Architect: \_\_\_\_\_  
Phone: \_\_\_\_\_  
Fax: \_\_\_\_\_  
Contact: \_\_\_\_\_

Job Name: \_\_\_\_\_  
Phone: \_\_\_\_\_  
Fax: \_\_\_\_\_  
Contact: \_\_\_\_\_

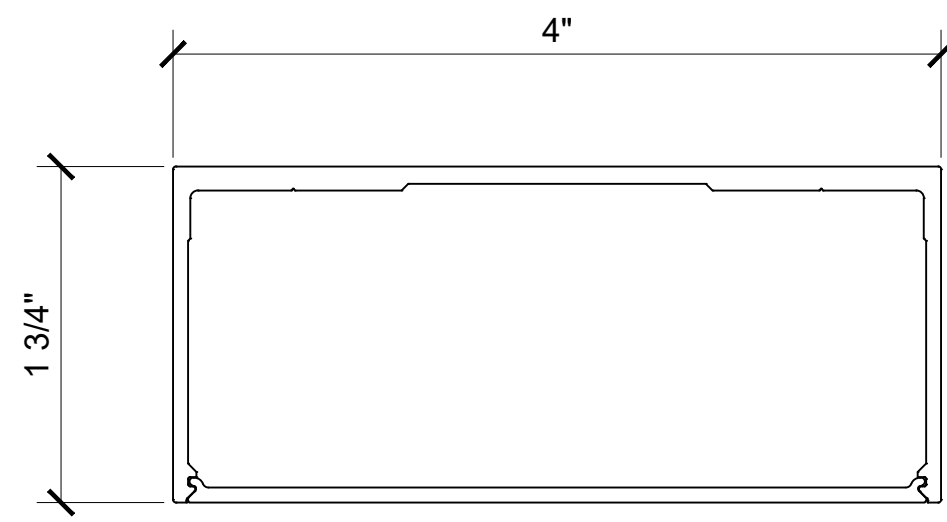
Customer: \_\_\_\_\_  
Phone: \_\_\_\_\_  
Fax: \_\_\_\_\_  
Contact: \_\_\_\_\_

REV#	DATE	DRAWN BY
0	03/26/20	AAD
1		
2		
3		
4		
5		
6		

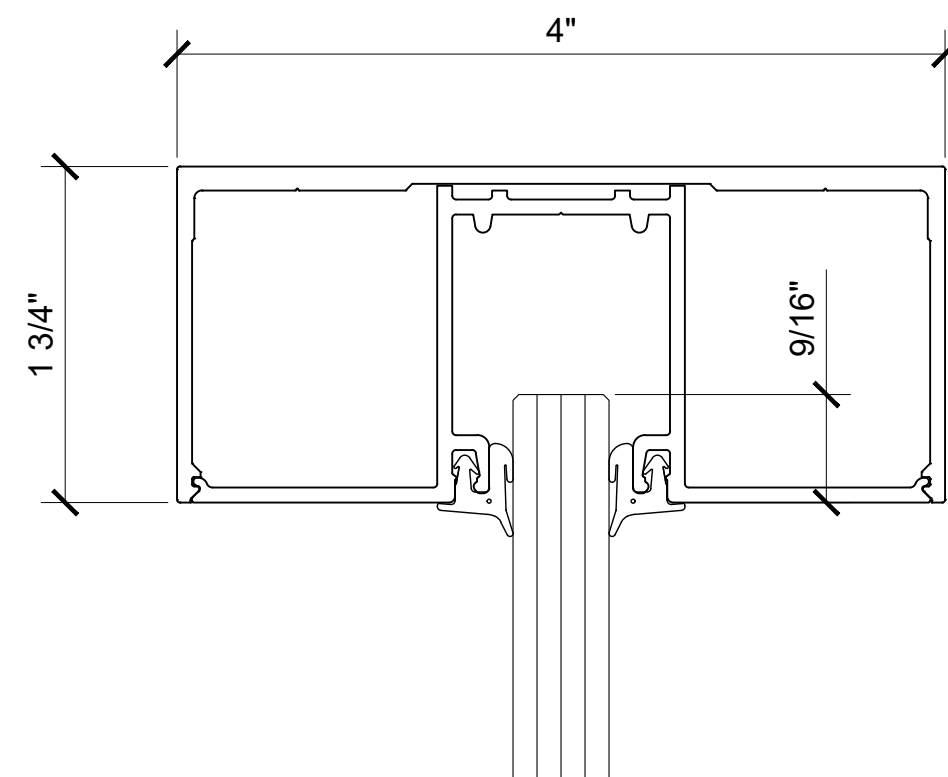
Drawn By: AAD  
Checked By: PM  
Date: 00/00/19  
Scale: AS NOTED  
Project #: 000000

Sheet No.  
**3.19**

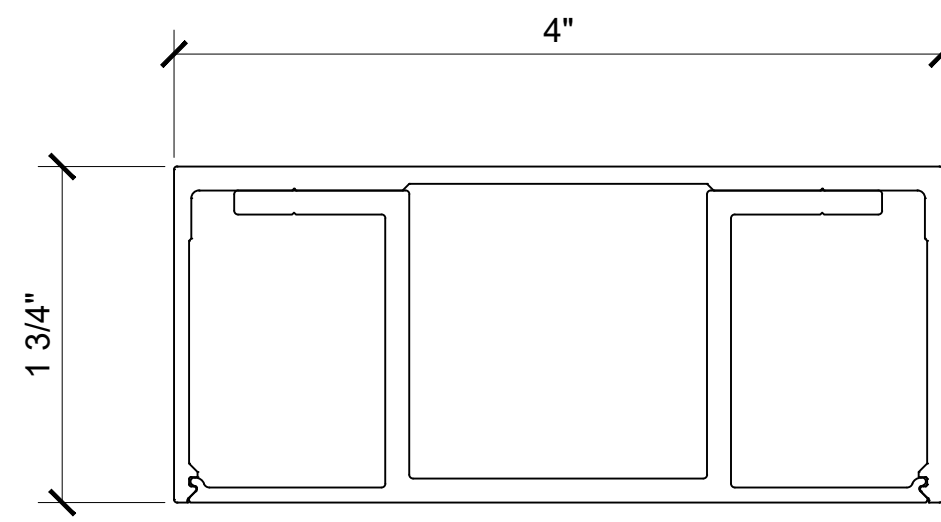
# FHC STANDARD HEADER CONFIGURATIONS



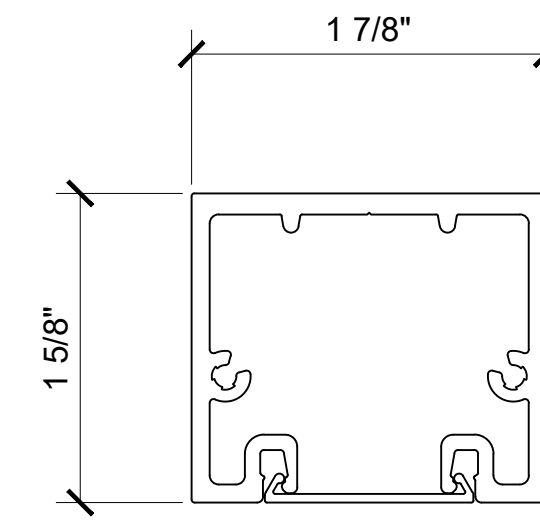
1 3/4" X 4" NON CLAD HEADER  
FHC ITEM# H4\_



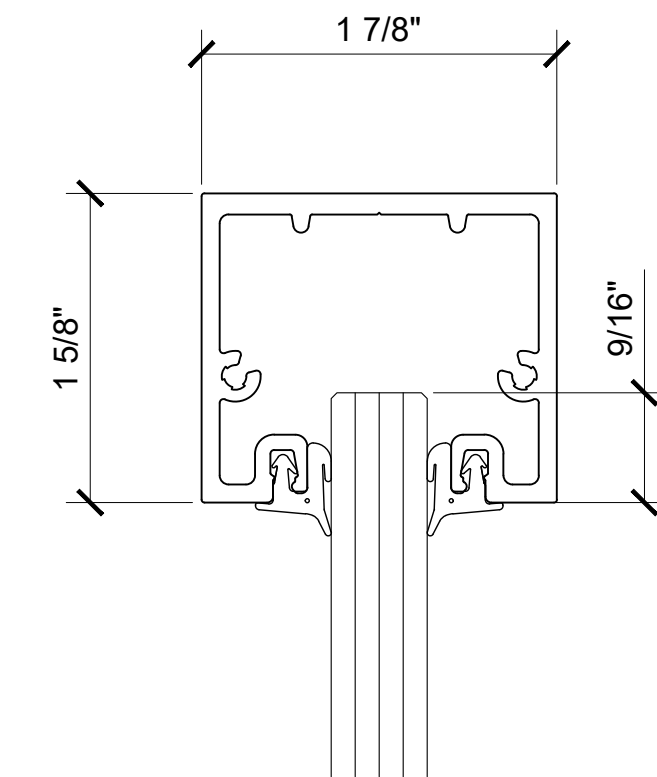
1 3/4" X 4" NON CLAD HEADER  
WITH GLASS POCKET  
FHC ITEM# PH4



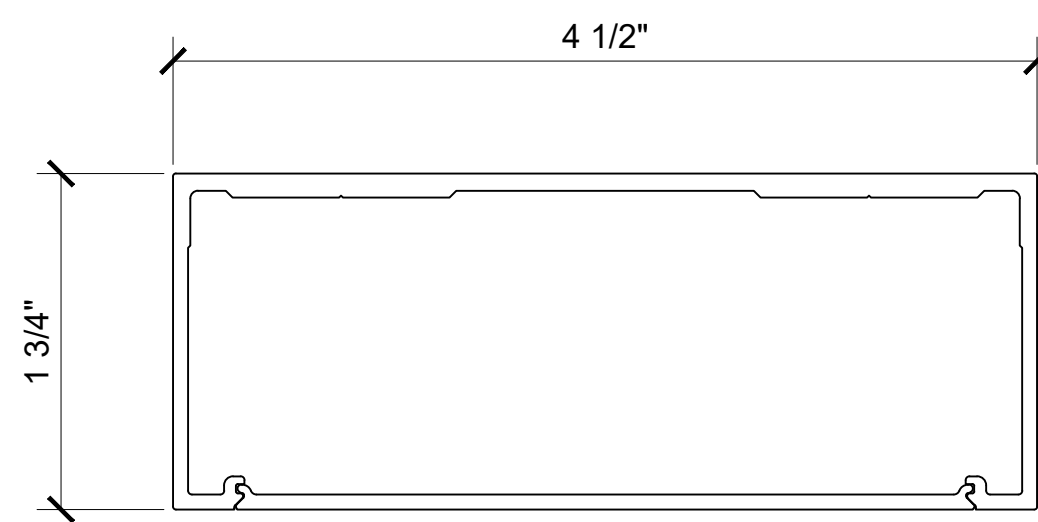
1 3/4" X 4" NON CLAD HEADER  
WITH HARDWARE ADAPTER  
FHC ITEM# H4\_HA



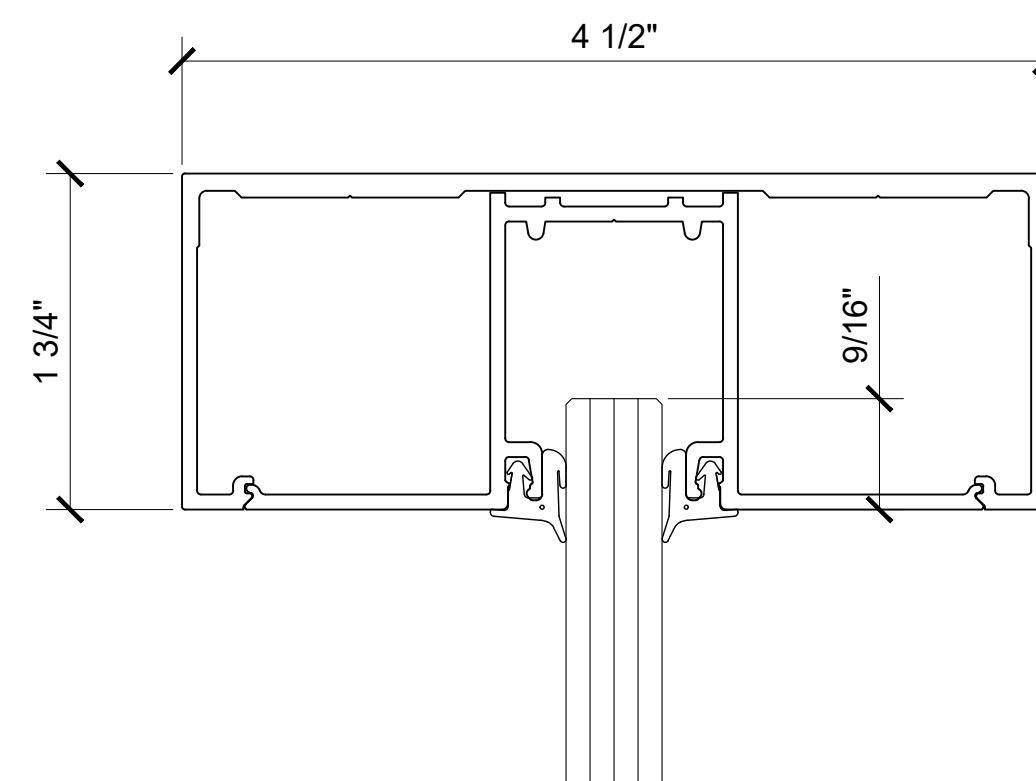
1 7/8" X 1 5/8" NON CLAD  
NARROW WIDTH HEADER  
FHC ITEM# NWH\_



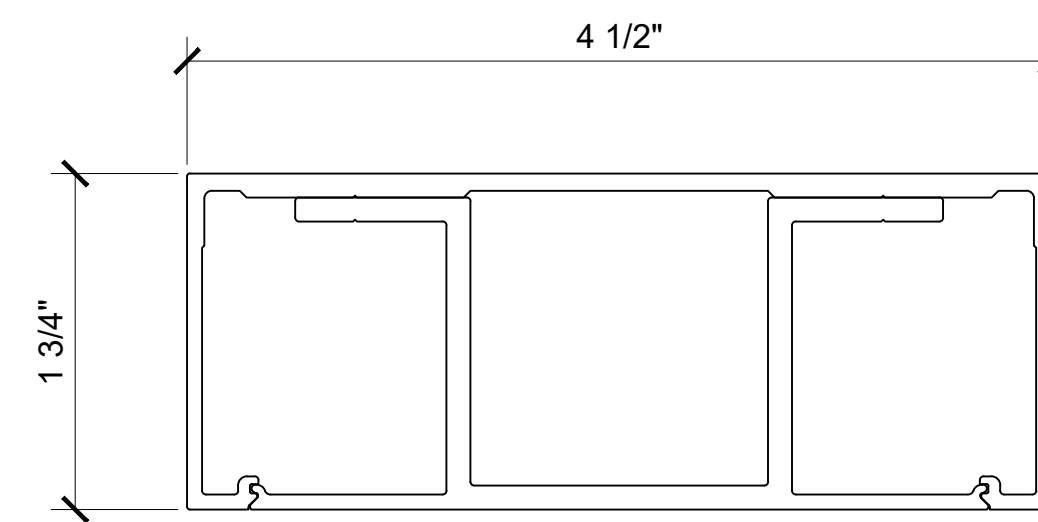
1 7/8" X 1 5/8" NON CLAD  
NARROW WIDTH  
DEEP CHANNEL  
FHC ITEM# NWD\_



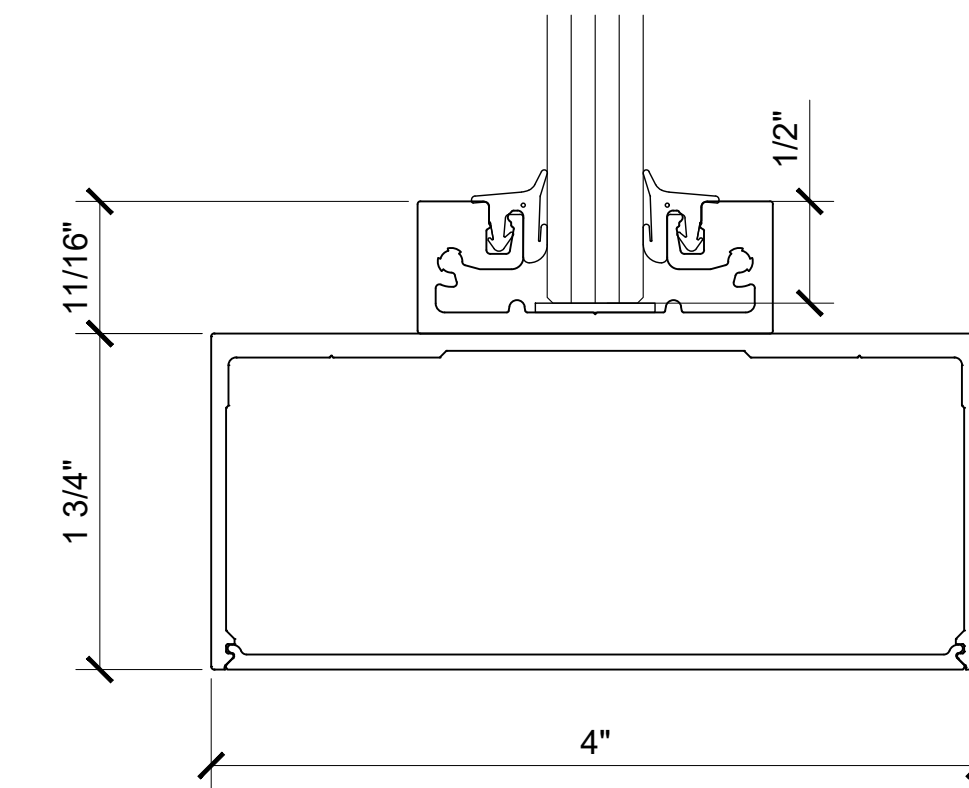
1 3/4" X 4 1/2" NON CLAD HEADER  
FHC TEM# H45\_



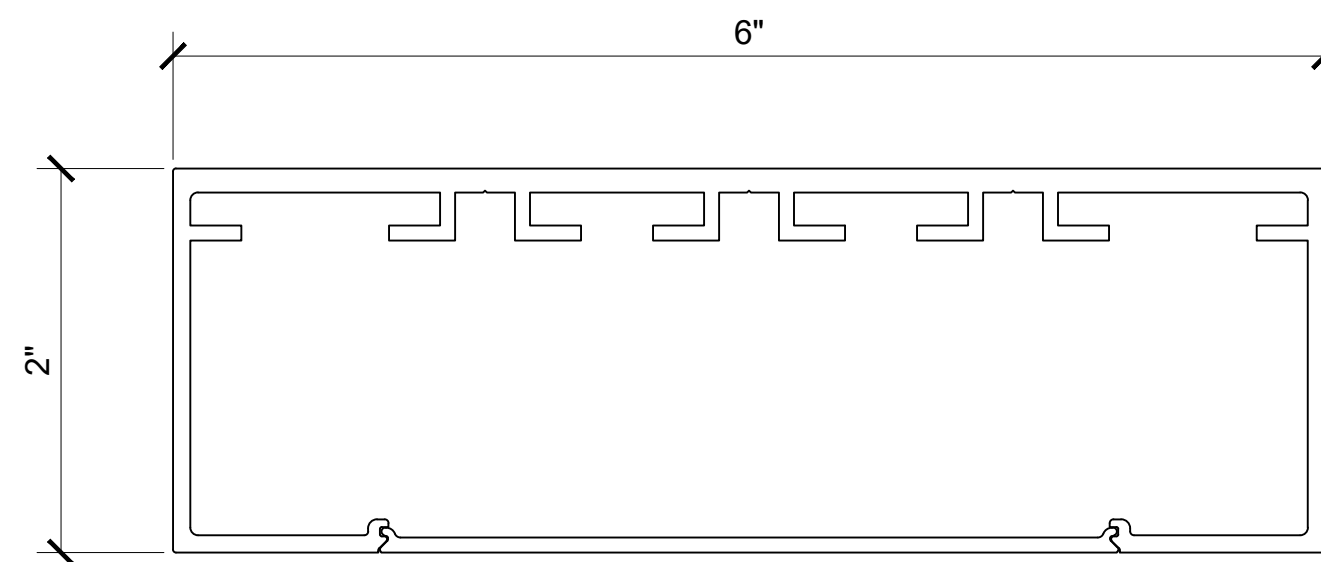
1 3/4" X 4 1/2" NON CLAD HEADER  
WITH GLASS POCKET  
FHC ITEM# PH45



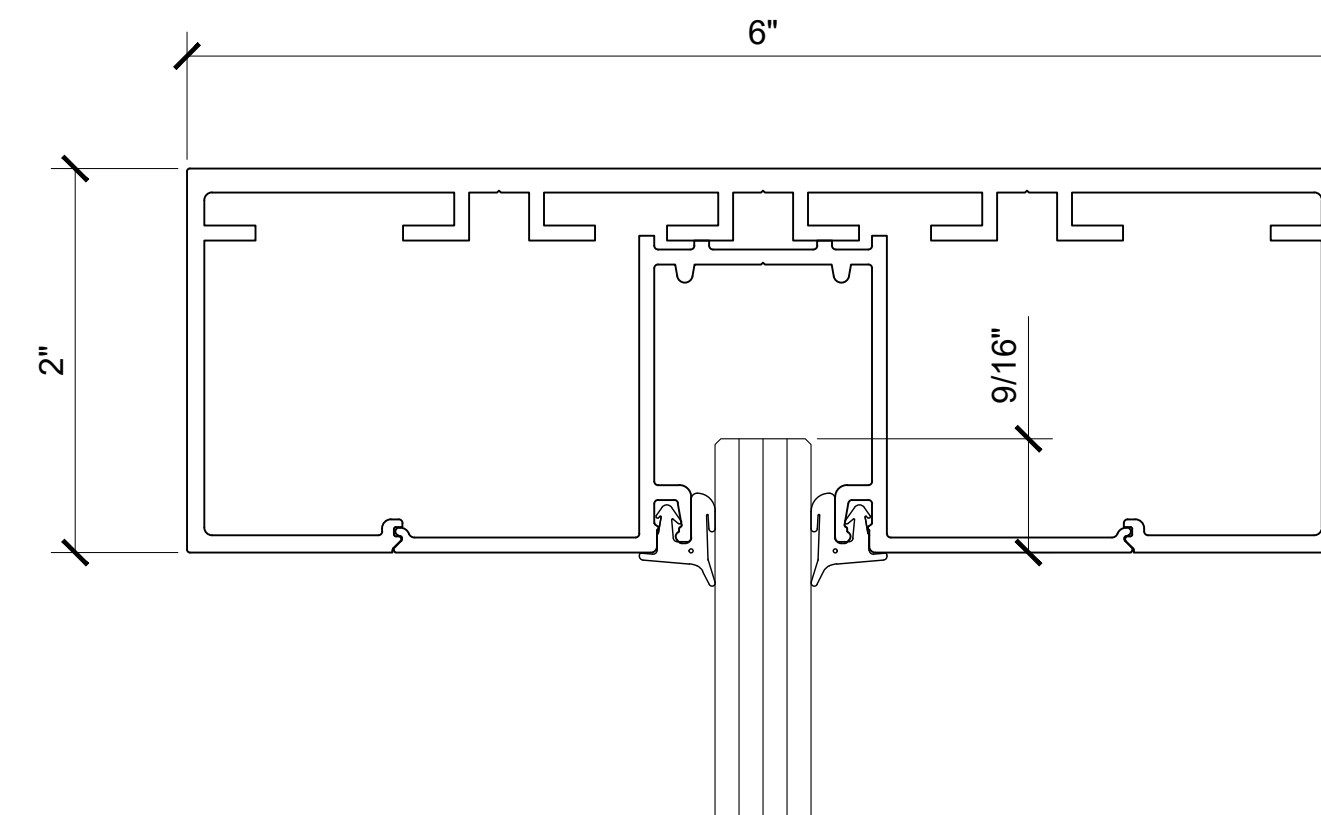
1 3/4" X 4 1/2" NON CLAD HEADER  
WITH HARDWARE ADAPTER  
FHC ITEM# H45\_HA



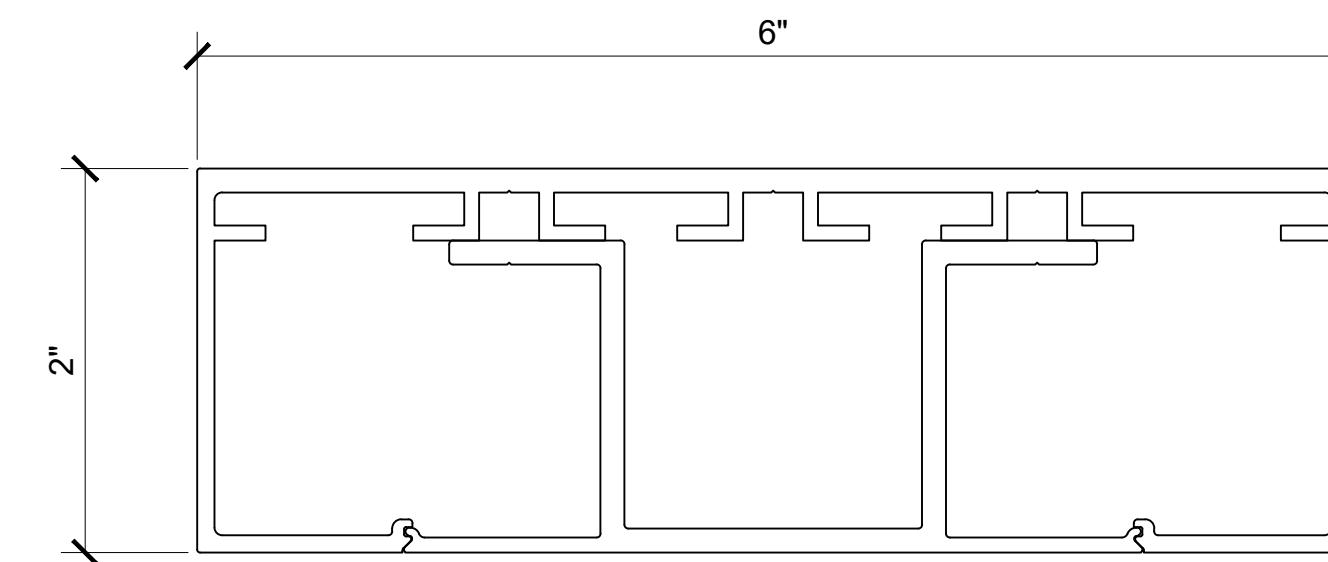
1 3/4" X 4" NON CLAD FLOATING  
HEADER WITH TRANSOM  
FHC ITEM# HF4\_



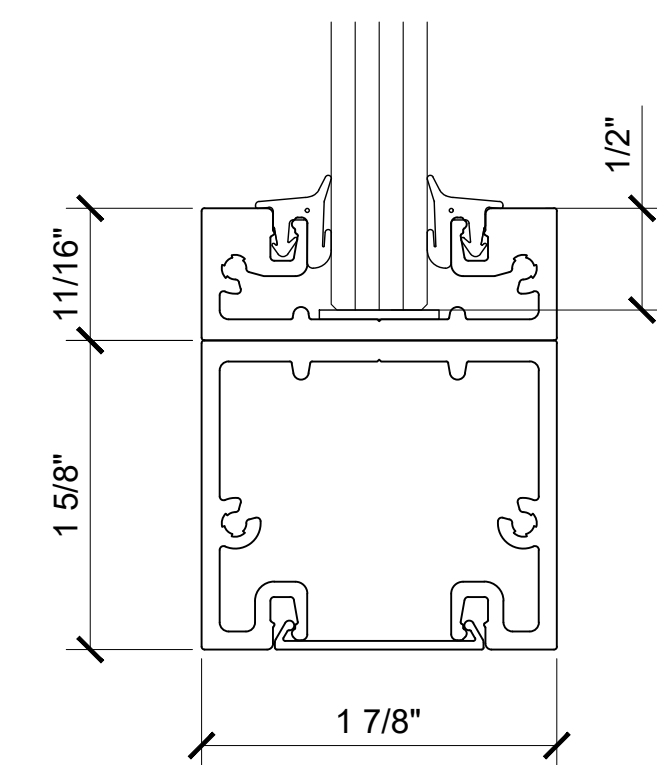
2" X 6" NON CLAD HEADER  
FHC ITEM# H6\_



2" X 6" NON CLAD HEADER  
WITH GLASS POCKET  
FHC ITEM# PH6\_



2" X 6" NON CLAD HEADER  
WITH HARDWARE ADAPTER  
FHC ITEM# H6\_HA



1 7/8" X 1 5/8" NON CLAD  
NARROW WIDTH FLOATING  
HEADER WITH TRANSOM  
FHC ITEM# NWFH\_

Architect: \_\_\_\_\_ Phone: \_\_\_\_\_  
Job Name: \_\_\_\_\_ Fax: \_\_\_\_\_  
Customer: \_\_\_\_\_ Contact: \_\_\_\_\_

Architect: \_\_\_\_\_ Phone: \_\_\_\_\_  
Job Name: \_\_\_\_\_ Fax: \_\_\_\_\_  
Customer: \_\_\_\_\_ Contact: \_\_\_\_\_

Architect: \_\_\_\_\_ Phone: \_\_\_\_\_  
Job Name: \_\_\_\_\_ Fax: \_\_\_\_\_  
Customer: \_\_\_\_\_ Contact: \_\_\_\_\_

REV#	DATE	DRAWN BY
1	03/26/20	AAD
2		
3		
4		
5		
6		

Drawn By: AAD  
Checked By: PM  
Date: 00/00/19  
Scale: AS NOTED  
Project #: 000000