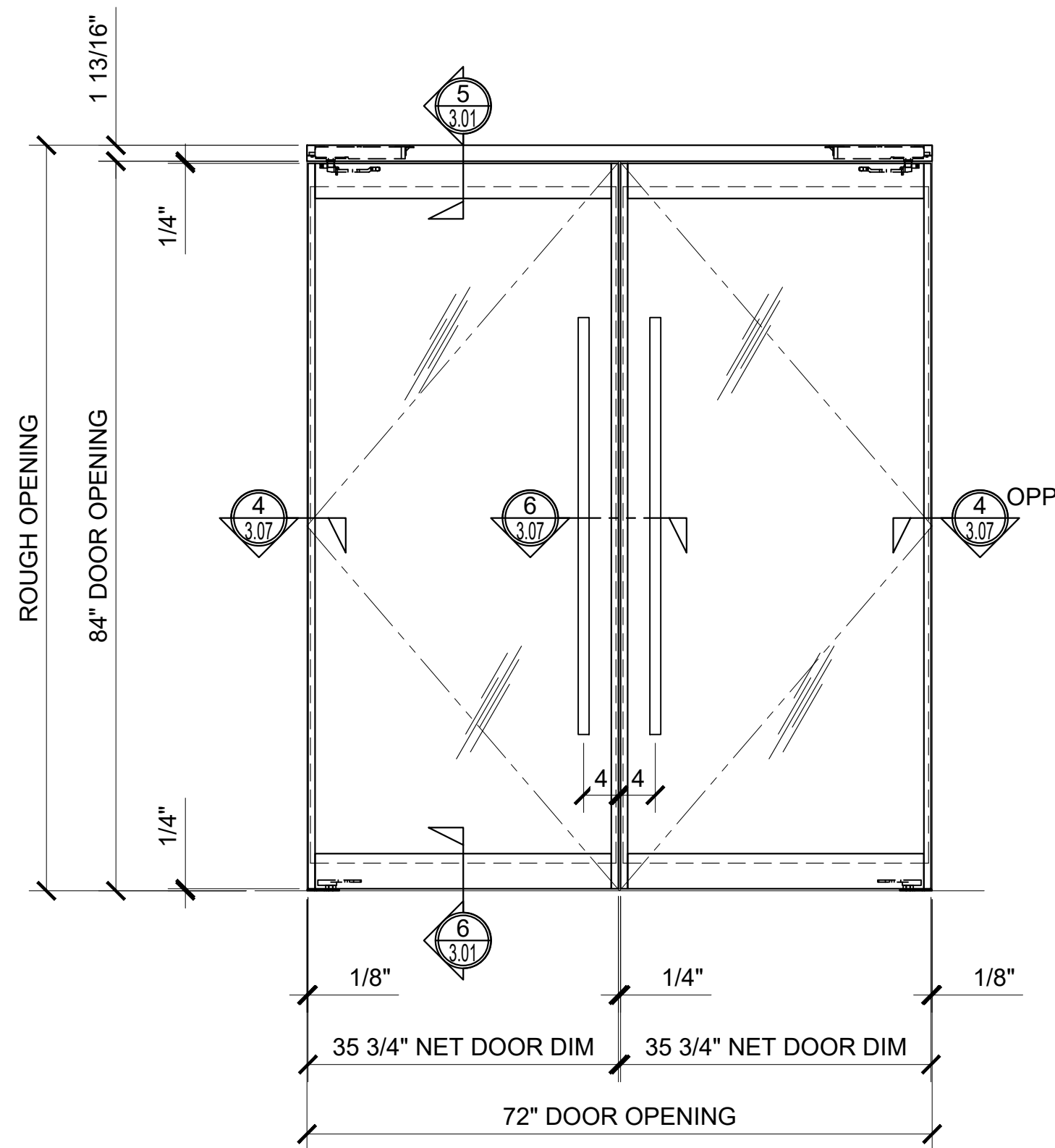


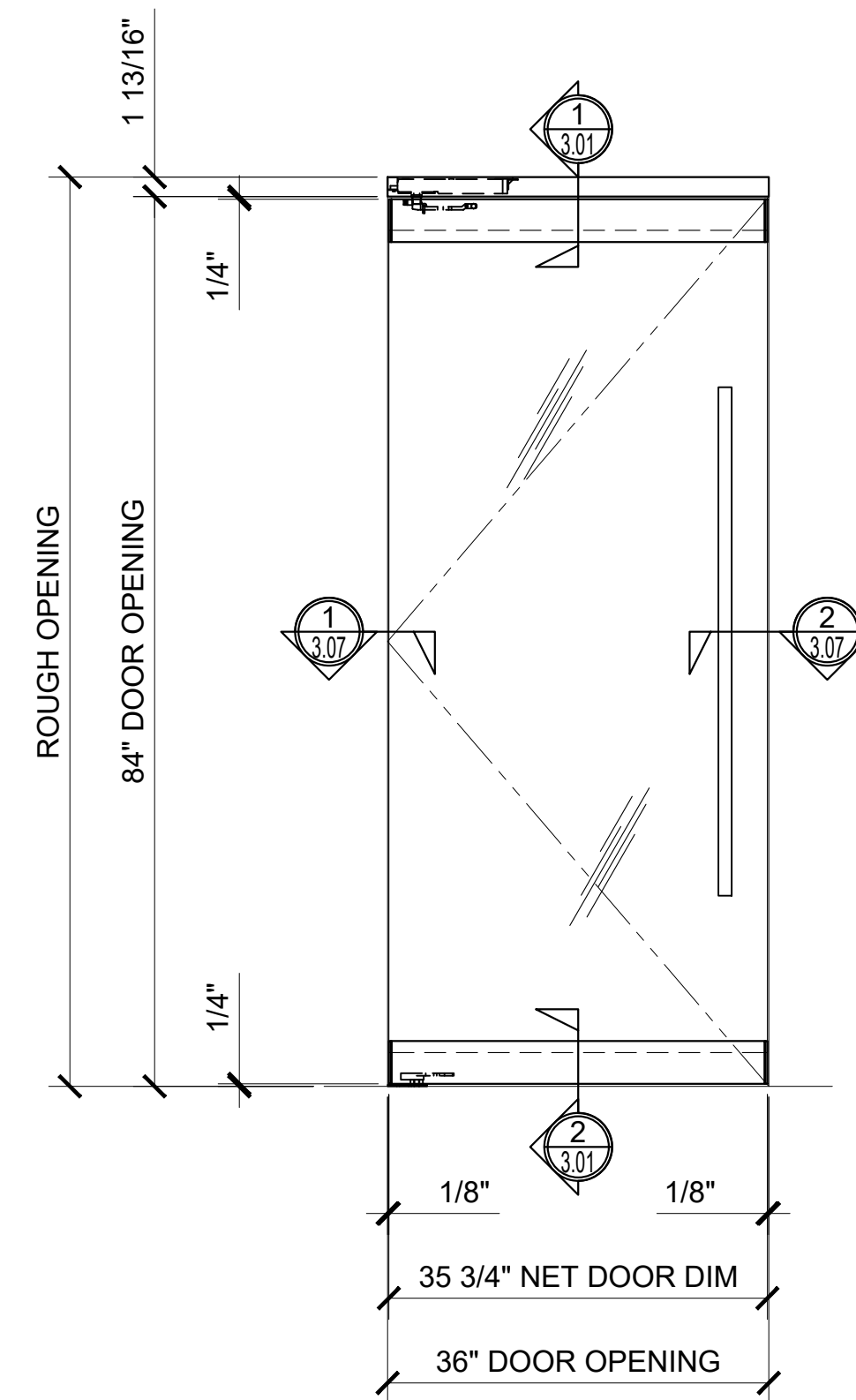
① ELEVATION

ARCH REF: NONE 3/4"=1'-0"



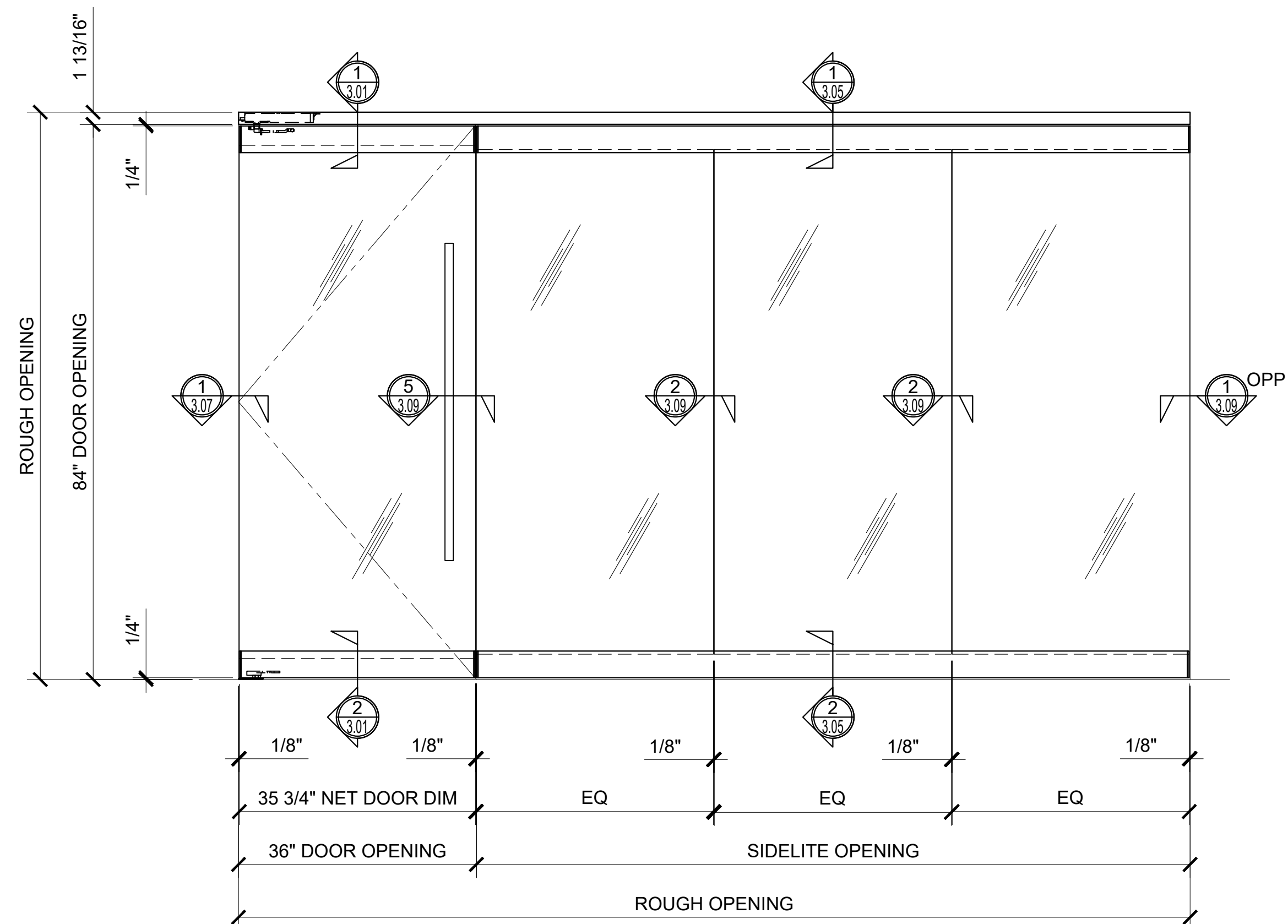
② ELEVATION

ARCH REF: NONE 3/4"=1'-0"



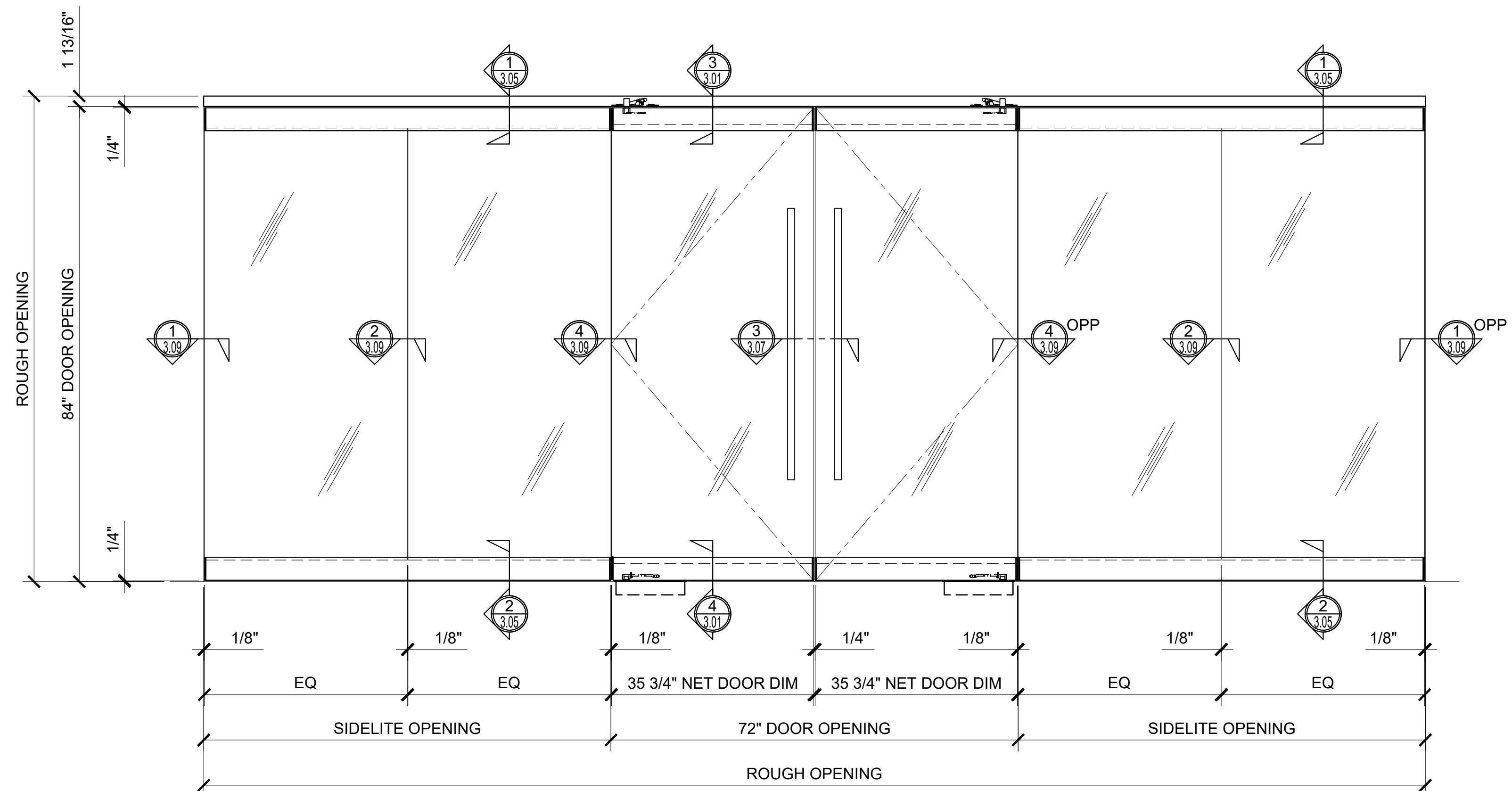
③ ELEVATION

ARCH REF: NONE 3/4"=1'-0"



④ ELEVATION

ARCH REF: NONE 3/4"=1'-0"



⑤ ELEVATION

ARCH REF: NONE 3/4"=1'-0"

Architect: Phone: Fax: Contact:

Job Name: Phone: Fax: Contact:

Customer: Phone: Fax: Contact:

REV#	DATE	DRAWN BY
0	10/30/20	JPL
1		
2		
3		
4		
5		
6		

Drawn By: JPL

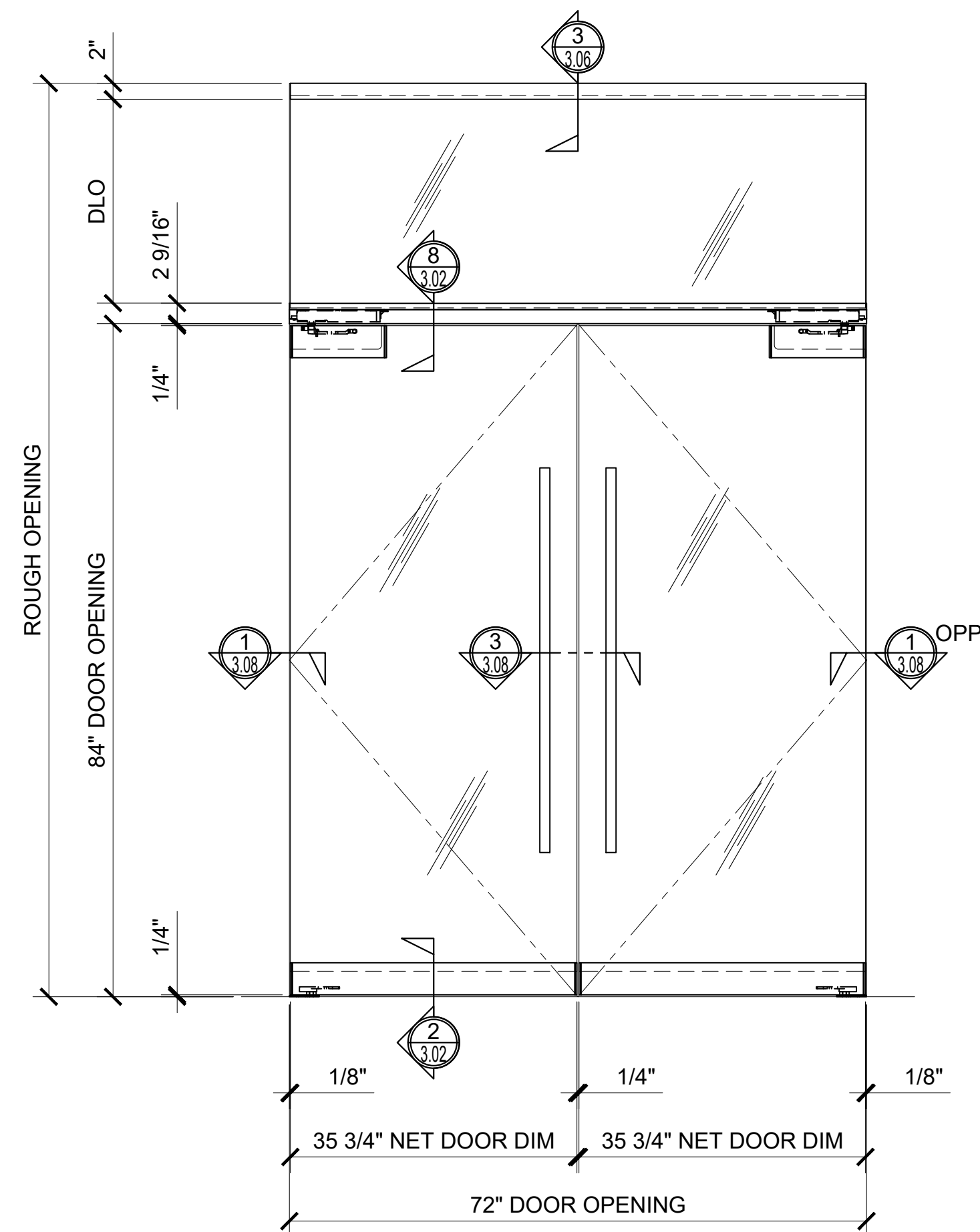
Checked By: PM

Date: 00/00/20

Scale: AS NOTED

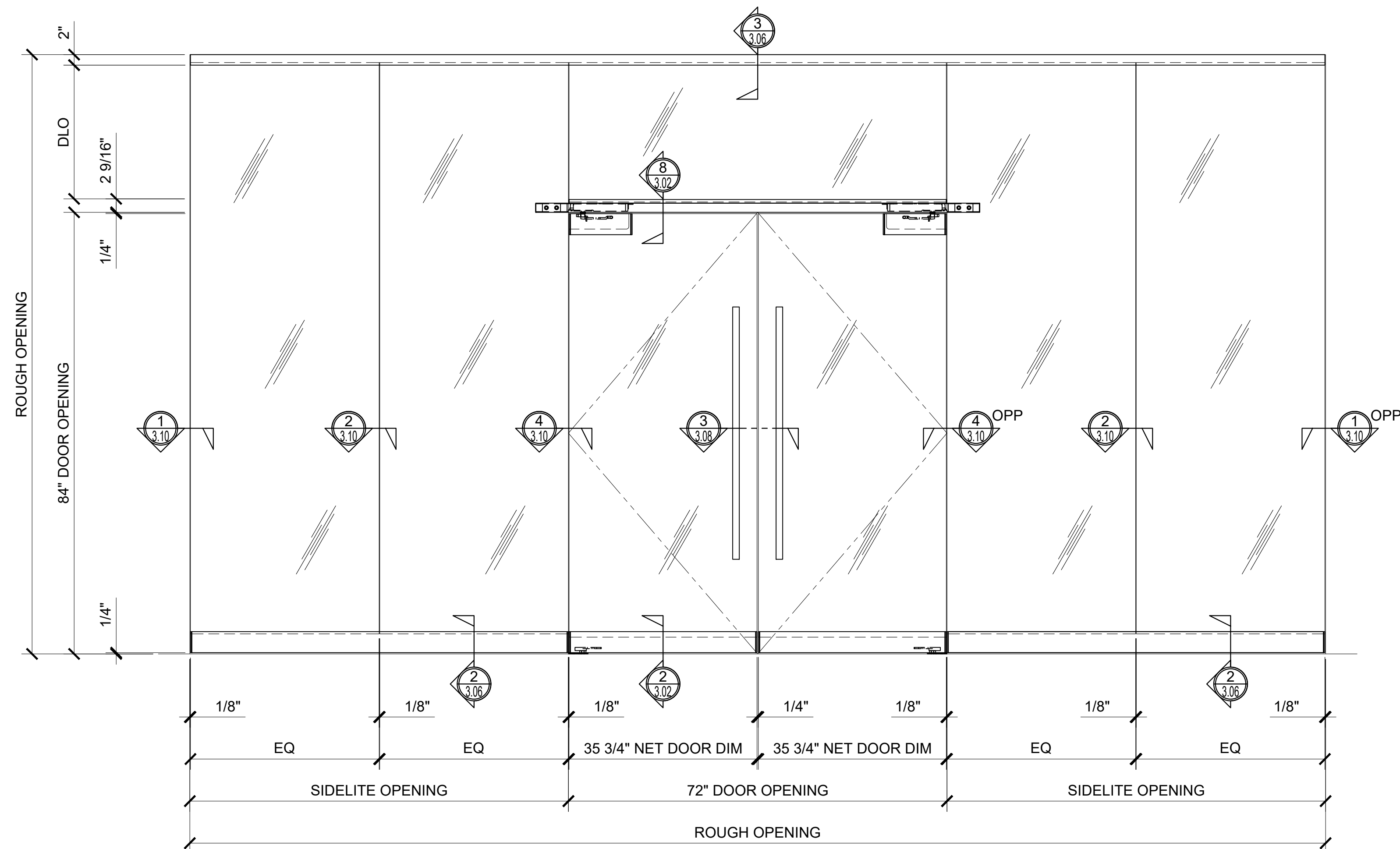
Project #: 000000

Sheet No.



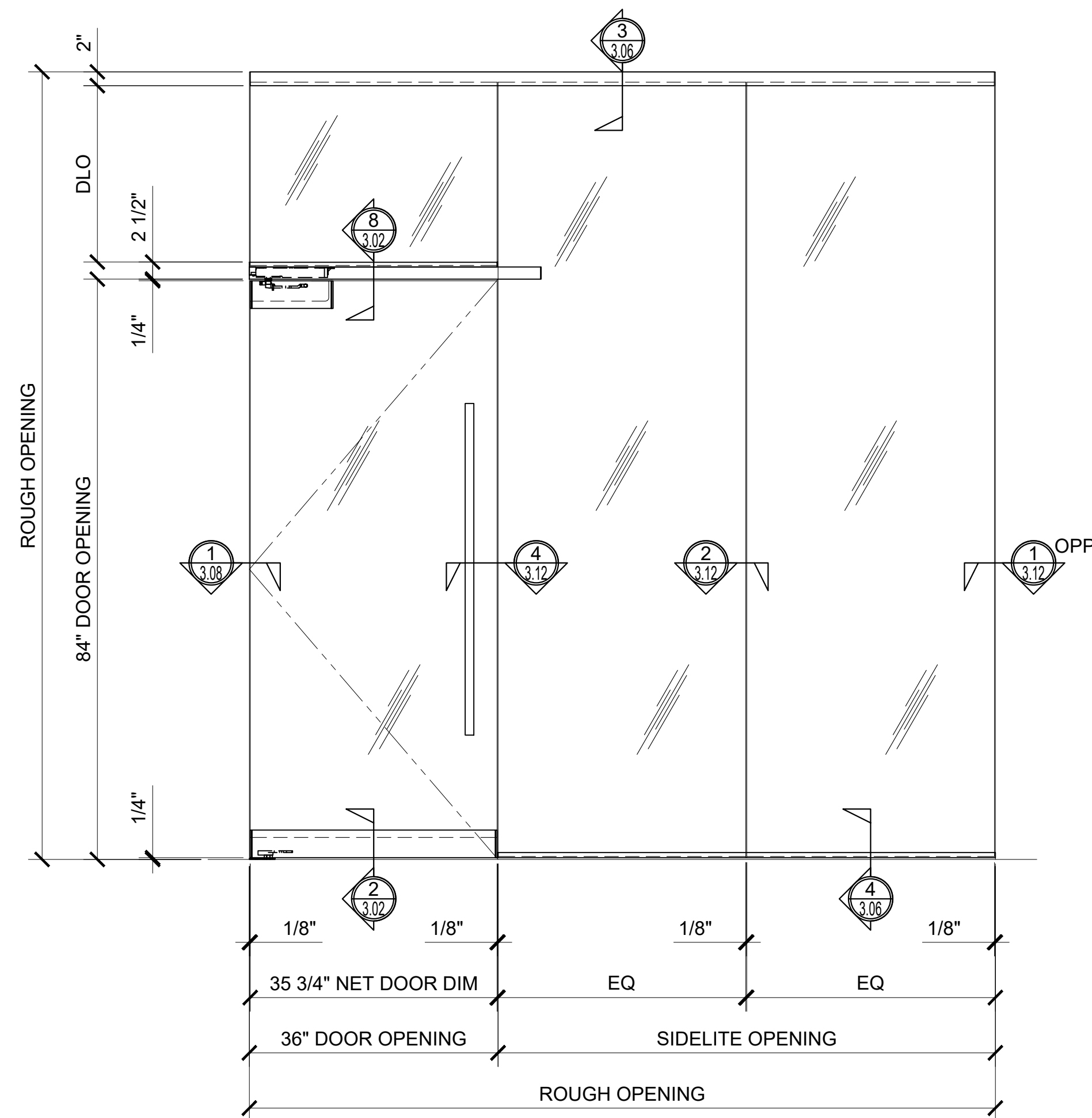
① ELEVATION

ARCH REF: NONE 3/4"=1'-0"



② ELEVATION

ARCH REF: NONE 3/4"=1'-0"



③ ELEVATION

ARCH REF: NONE 3/4"=1'-0"

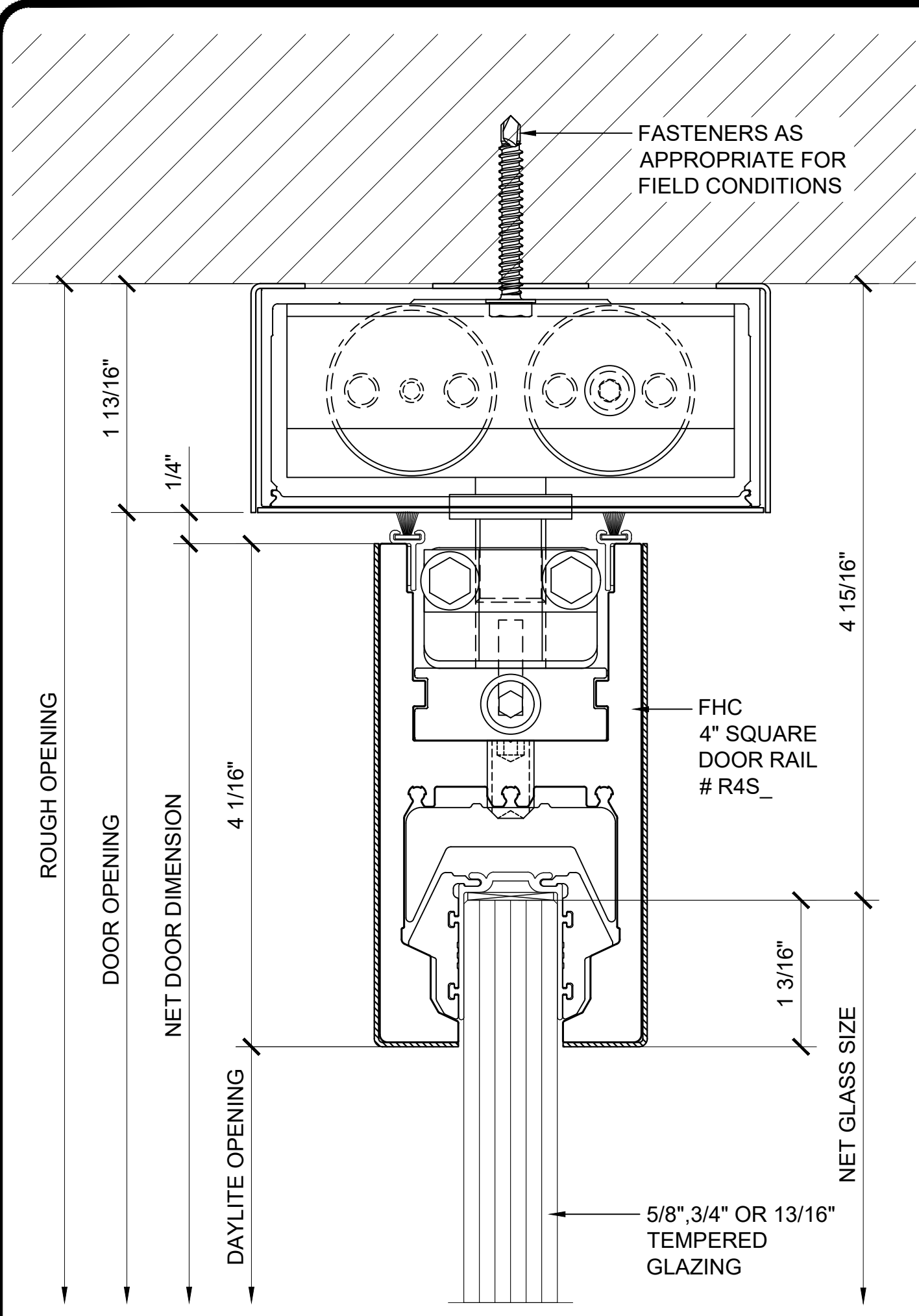
Architect: _____ Phone: _____
 Fax: _____ Contact: _____

Job Name: _____ Phone: _____
 Fax: _____ Contact: _____

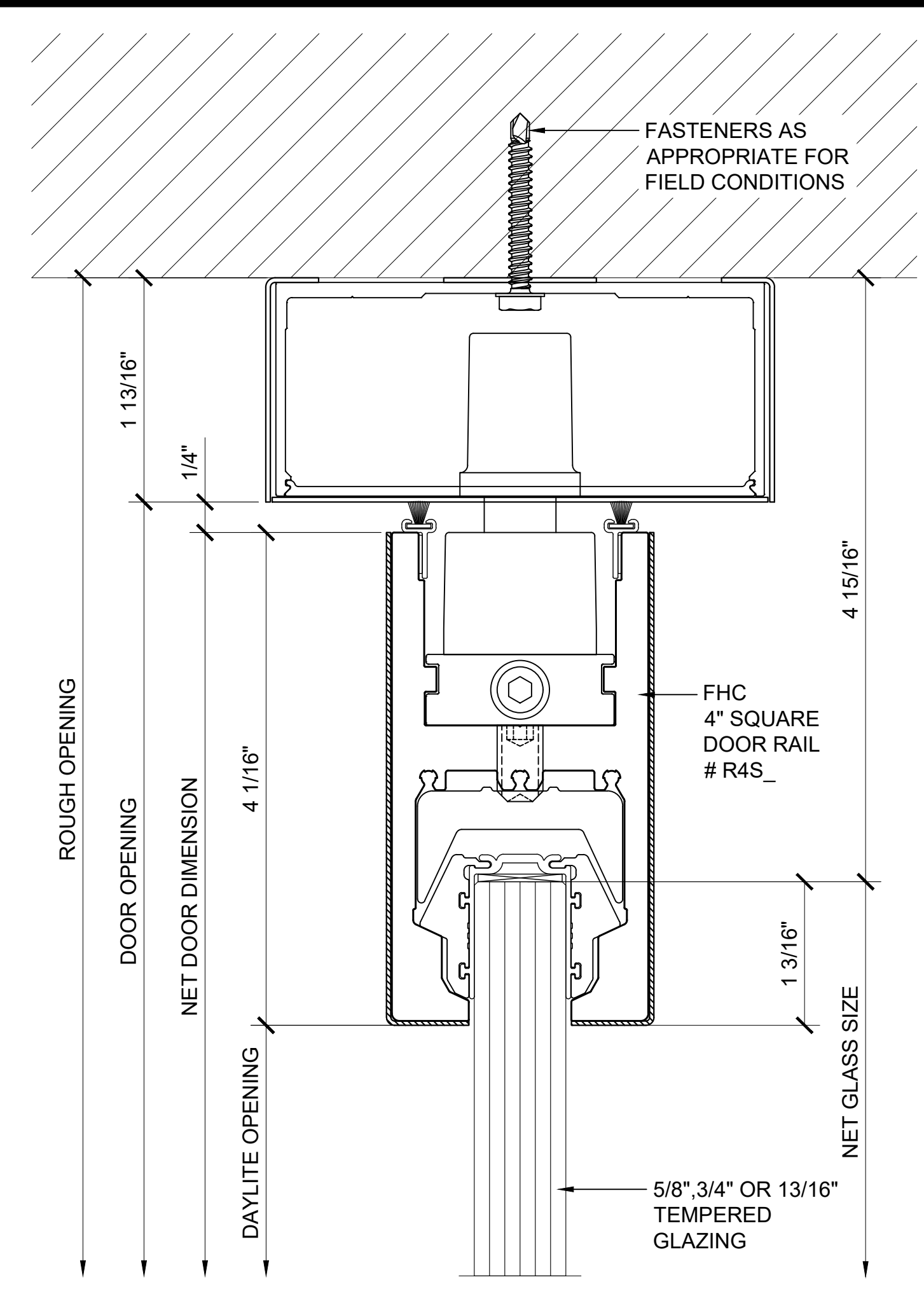
Customer: _____ Phone: _____
 Fax: _____ Contact: _____

REV#	DATE	DRAWN BY
0	10/30/20	JPL
1		
2		
3		
4		
5		
6		

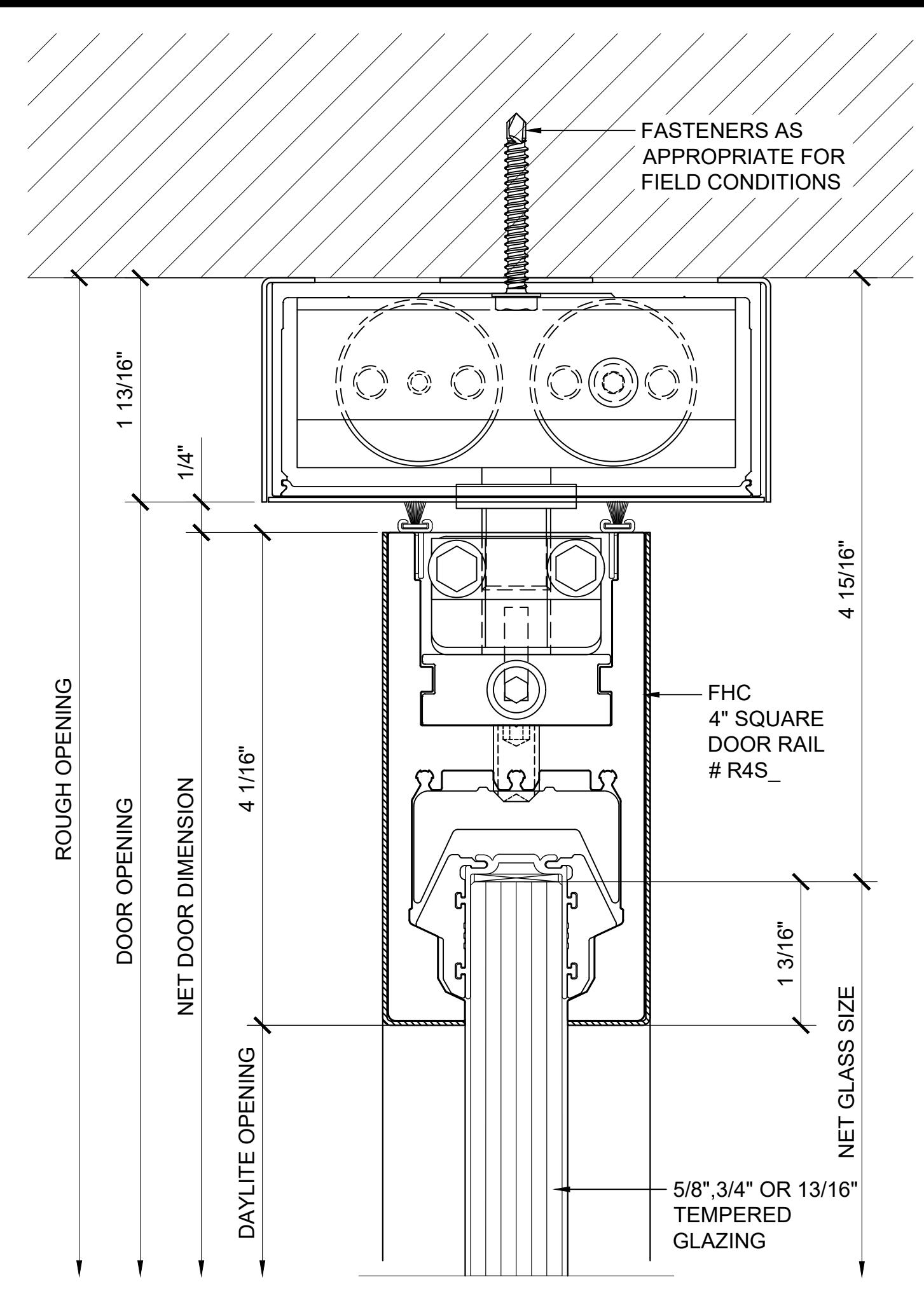
Drawn By: JPL
 Checked By: PM
 Date: 00/00/20
 Scale: AS NOTED
 Project #: 000000



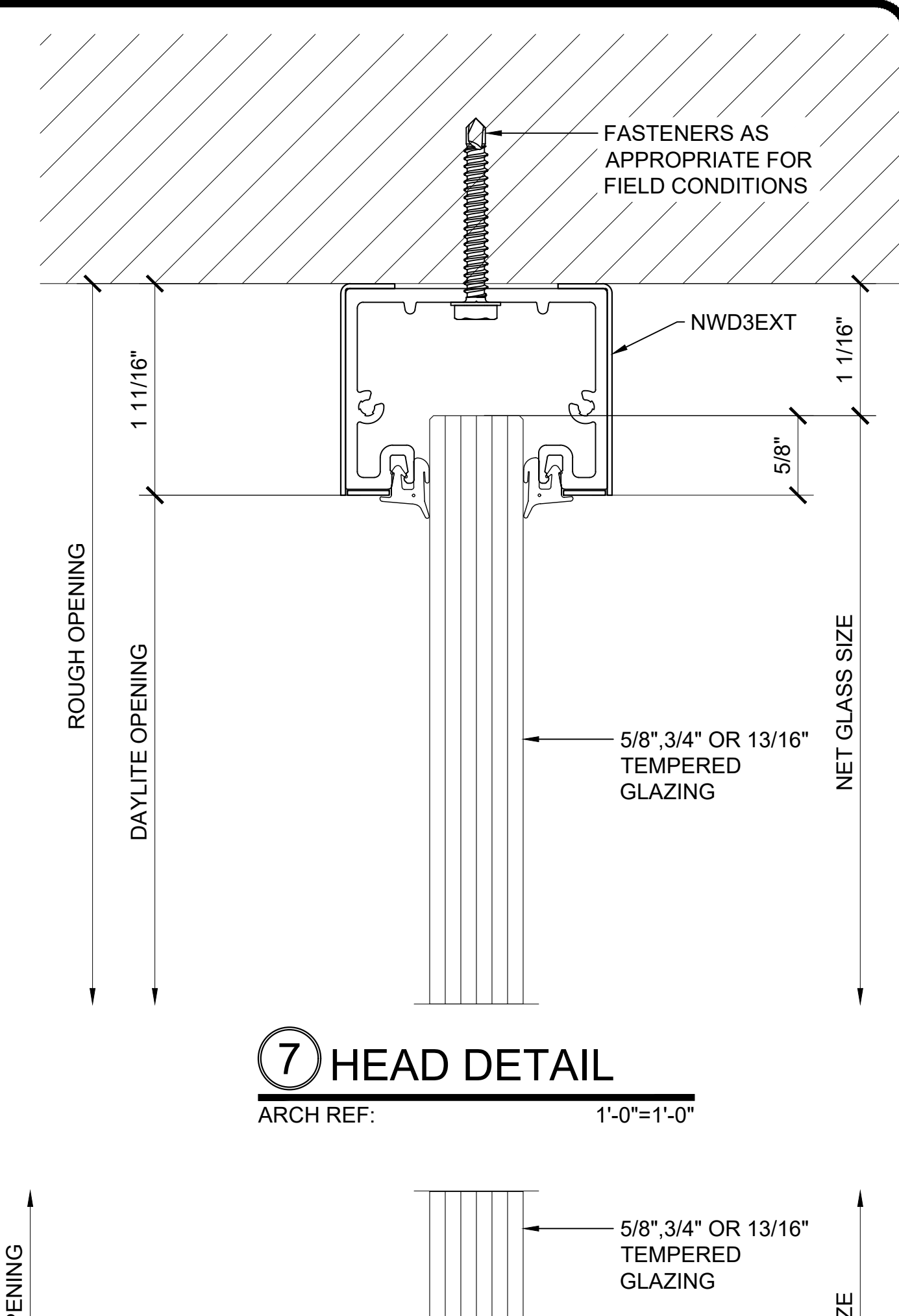
① HEAD DETAIL
ARCH REF: 1'-0"=1'-0"



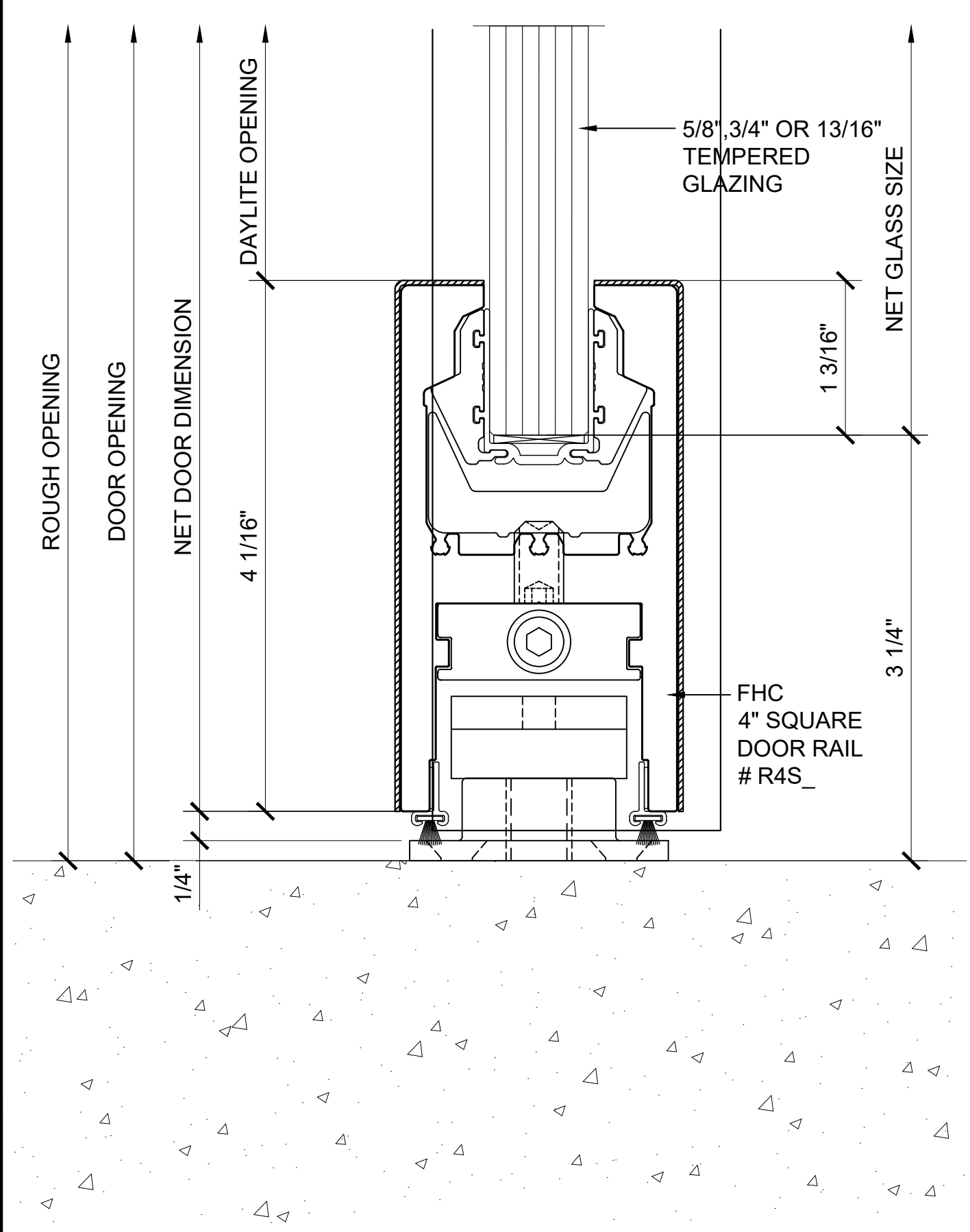
③ HEAD DETAIL
ARCH REF: 1'-0"=1'-0"



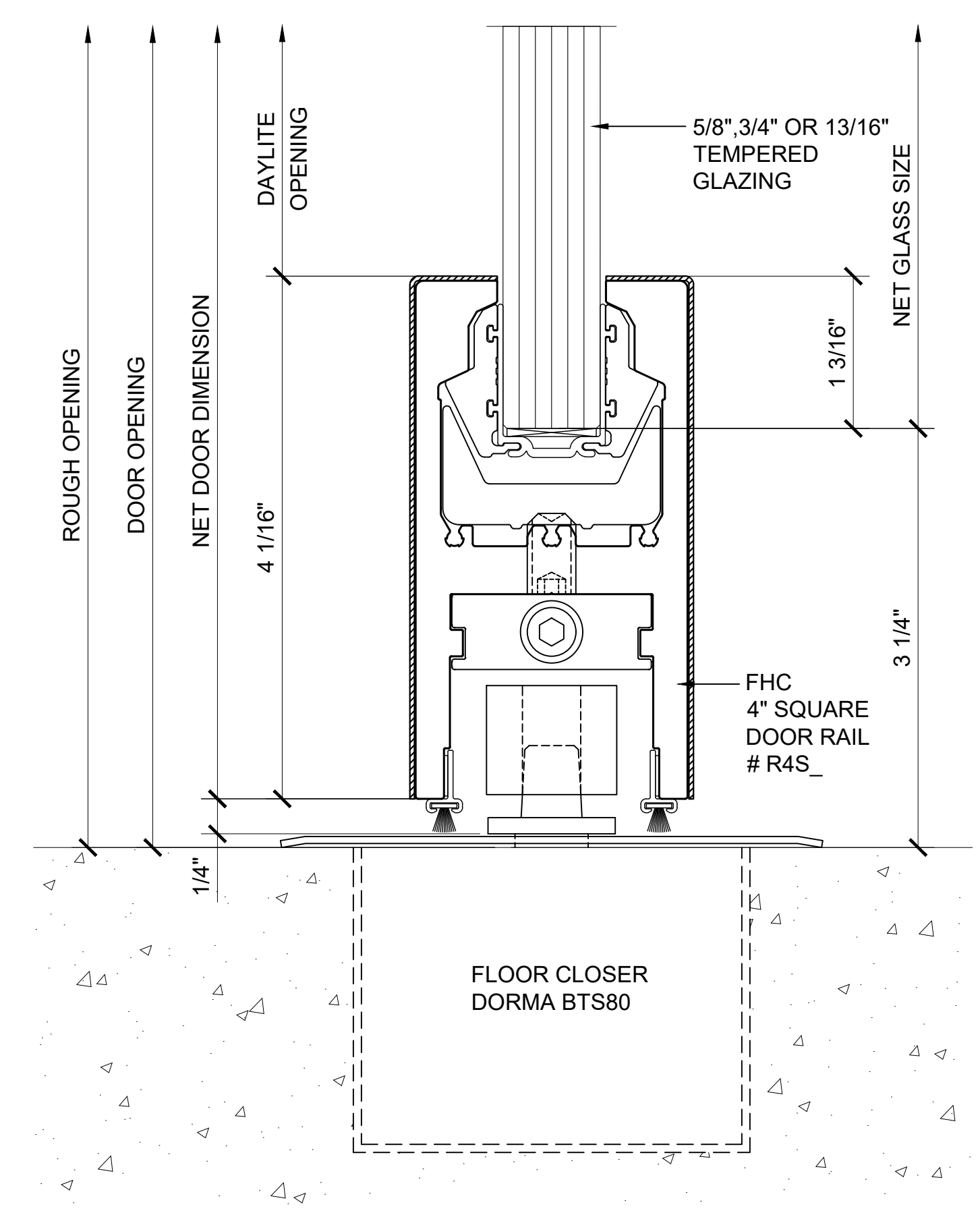
⑤ HEAD DETAIL W/ STILE
ARCH REF: 1'-0"=1'-0"



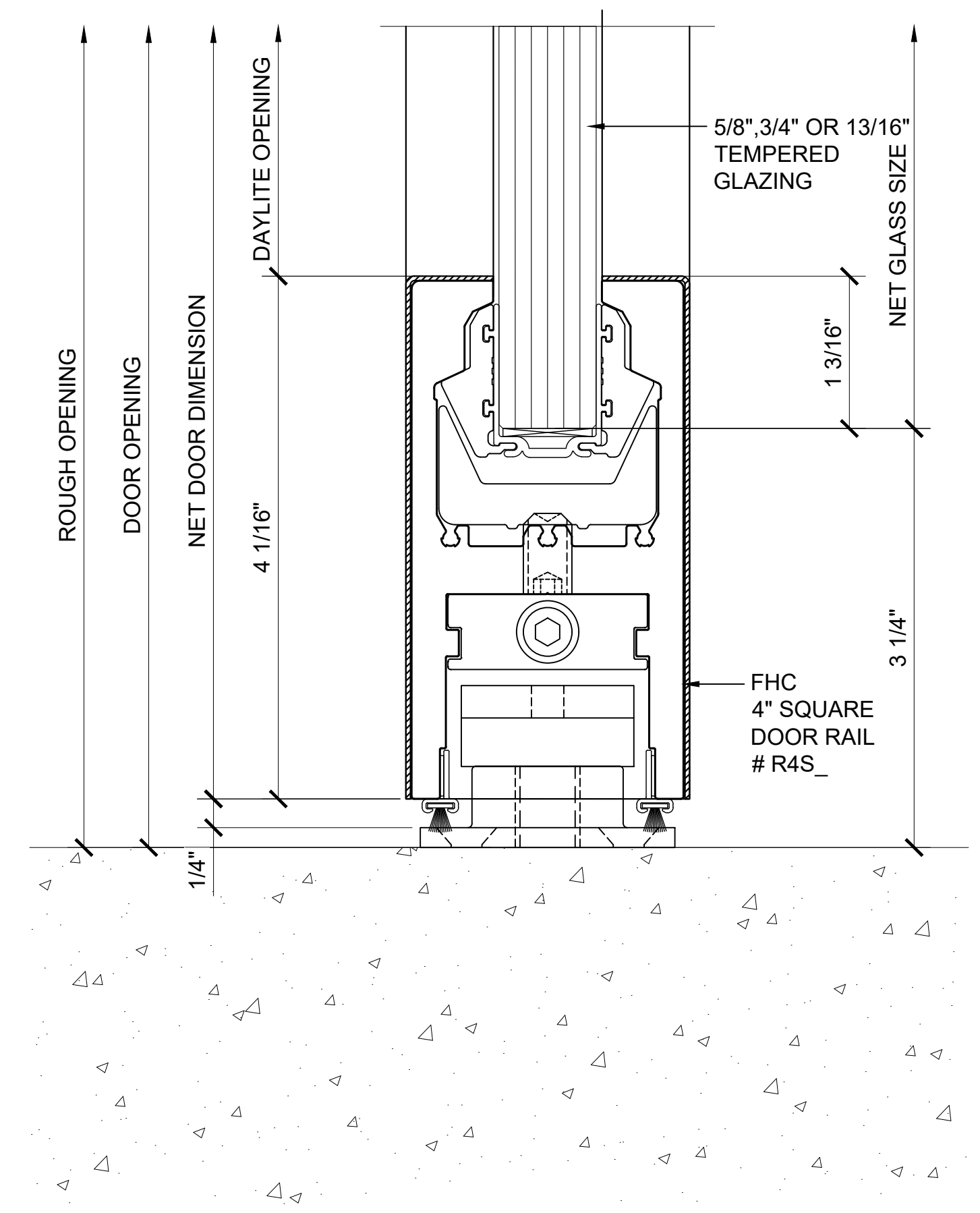
⑦ HEAD DETAIL
ARCH REF: 1'-0"=1'-0"



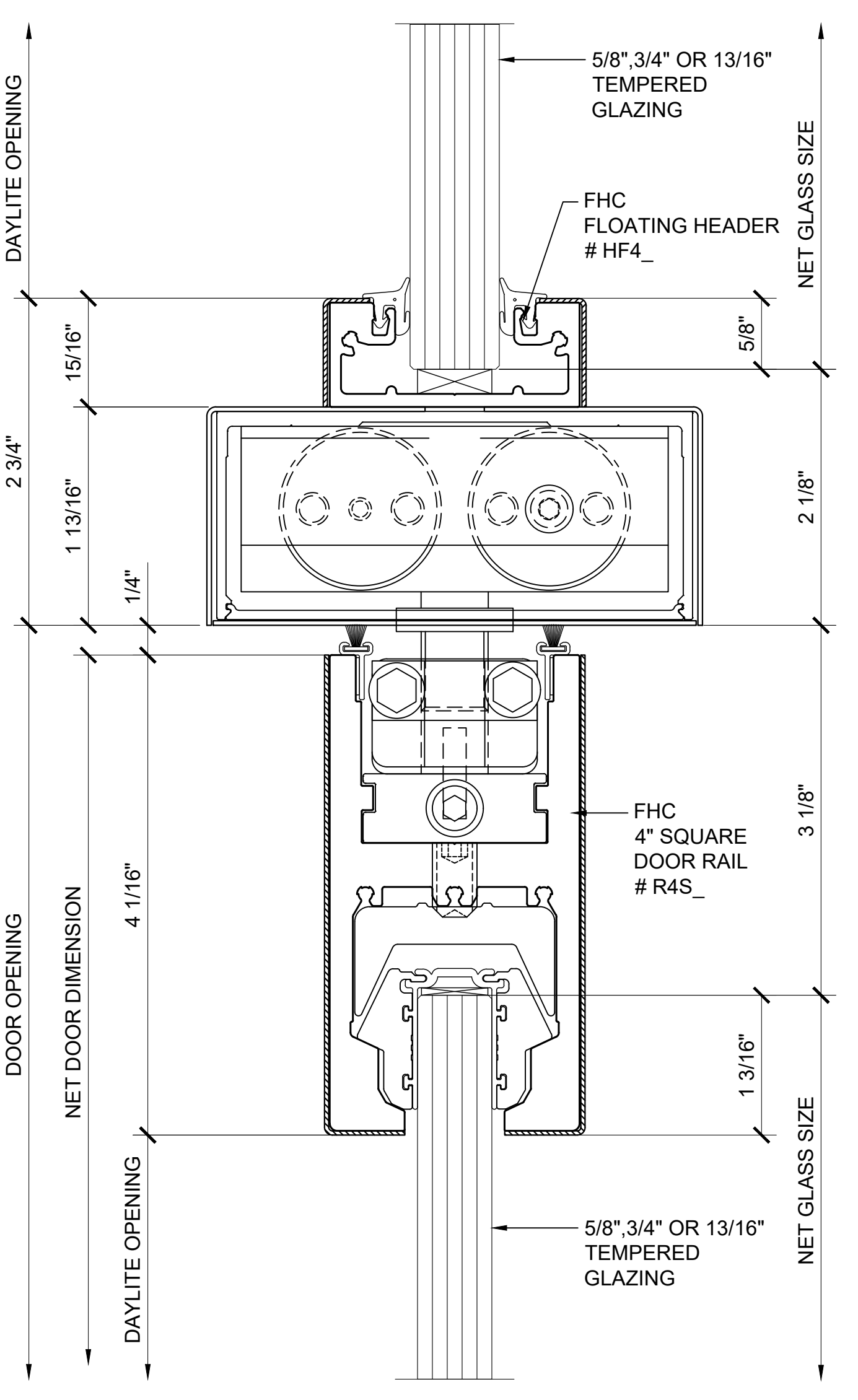
② SILL DETAIL
ARCH REF: 1'-0"=1'-0"



④ SILL DETAIL
ARCH REF: 1'-0"=1'-0"



⑥ SILL DETAIL W/ STILE
ARCH REF: 1'-0"=1'-0"



⑧ TRANSOM DETAIL
ARCH REF: 1'-0"=1'-0"



Architect: _____
Phone: _____
Fax: _____
Contact: _____

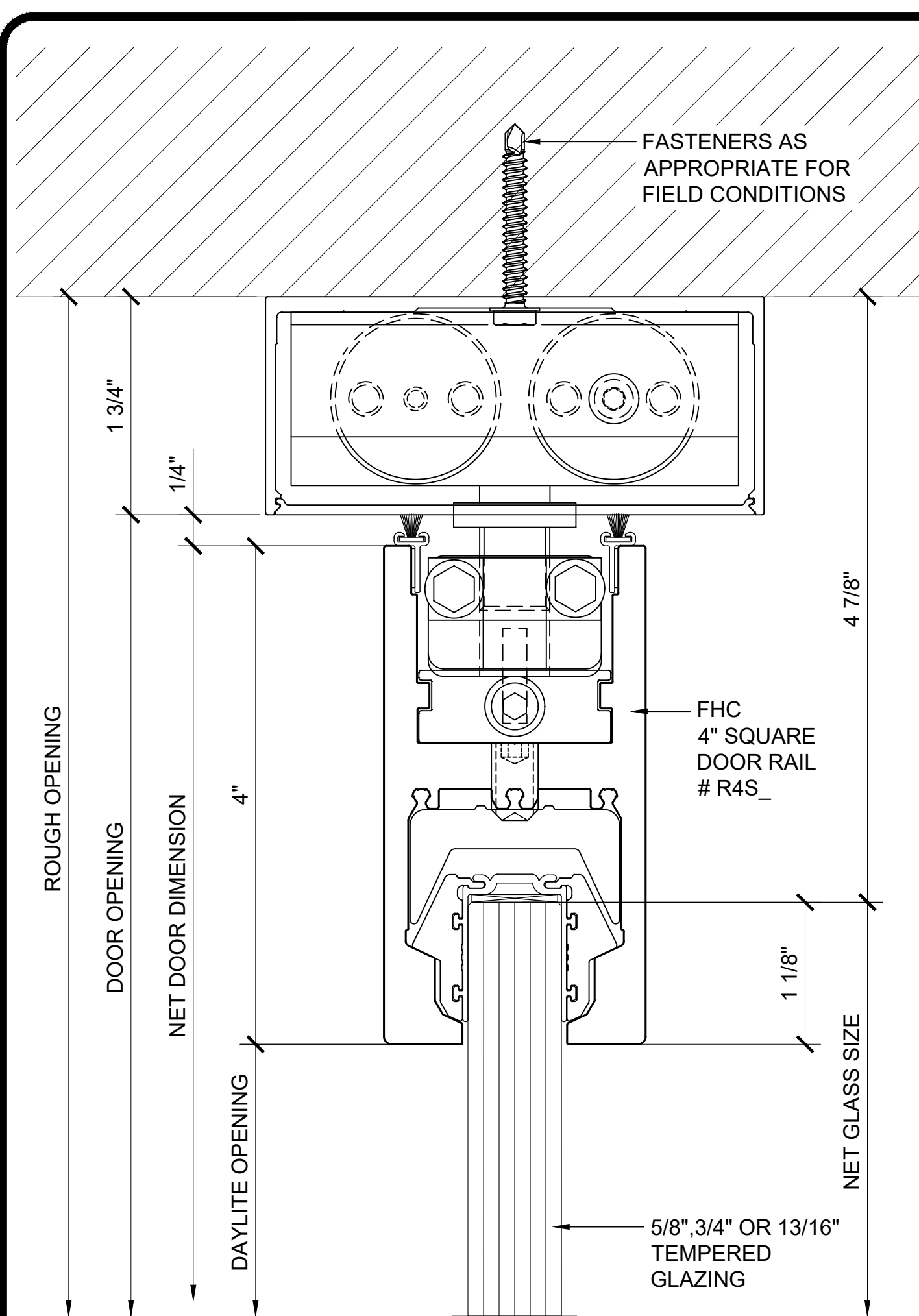
Job Name: _____
Phone: _____
Fax: _____
Contact: _____

Customer: _____
Phone: _____
Fax: _____
Contact: _____

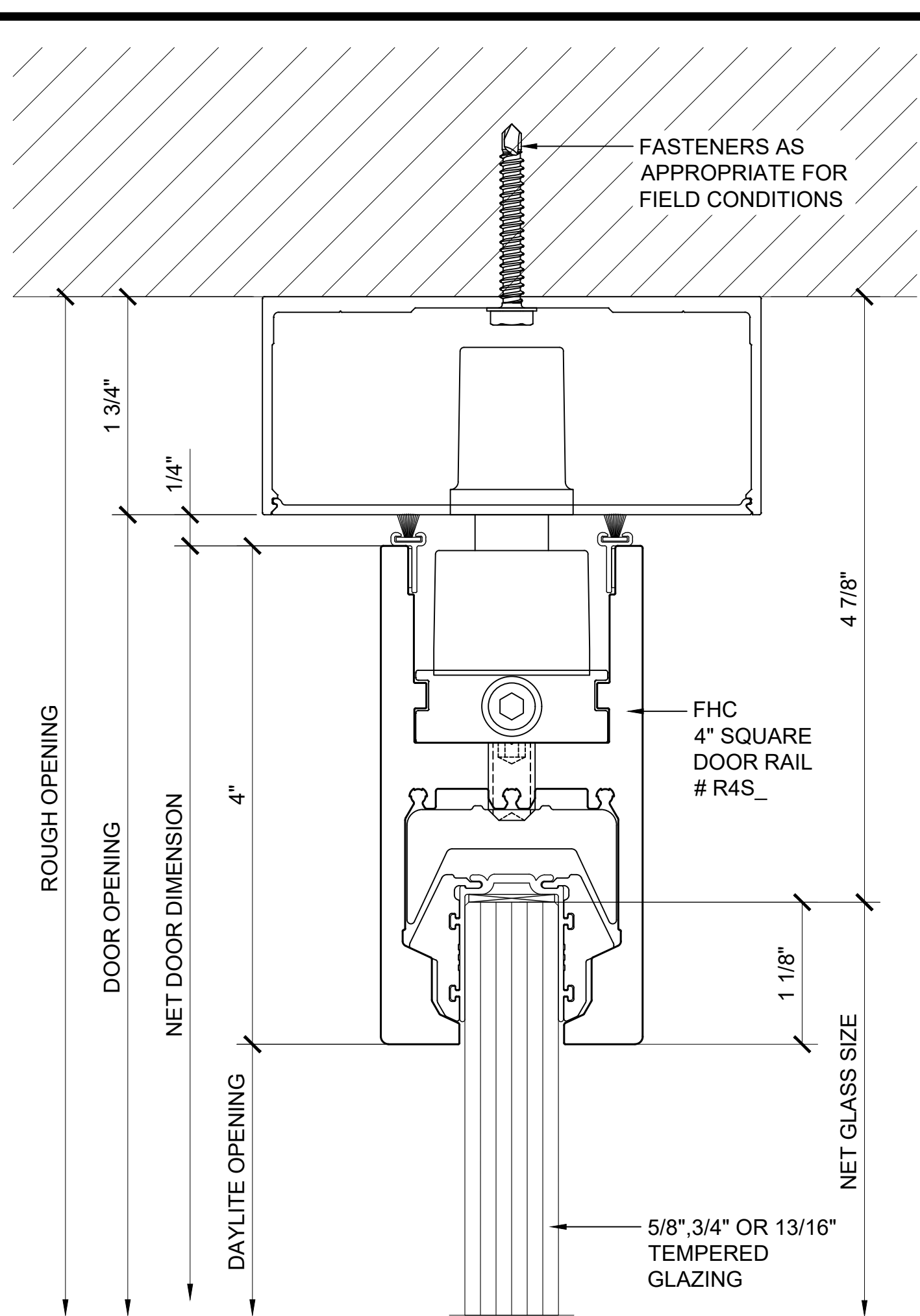
REV#	DATE	DRAWN BY
0	10/30/20	JPL
1		
2		
3		
4		
5		
6		

Drawn By: JPL
Checked By: PM
Date: 00/00/20
Scale: AS NOTED
Project #: 000000

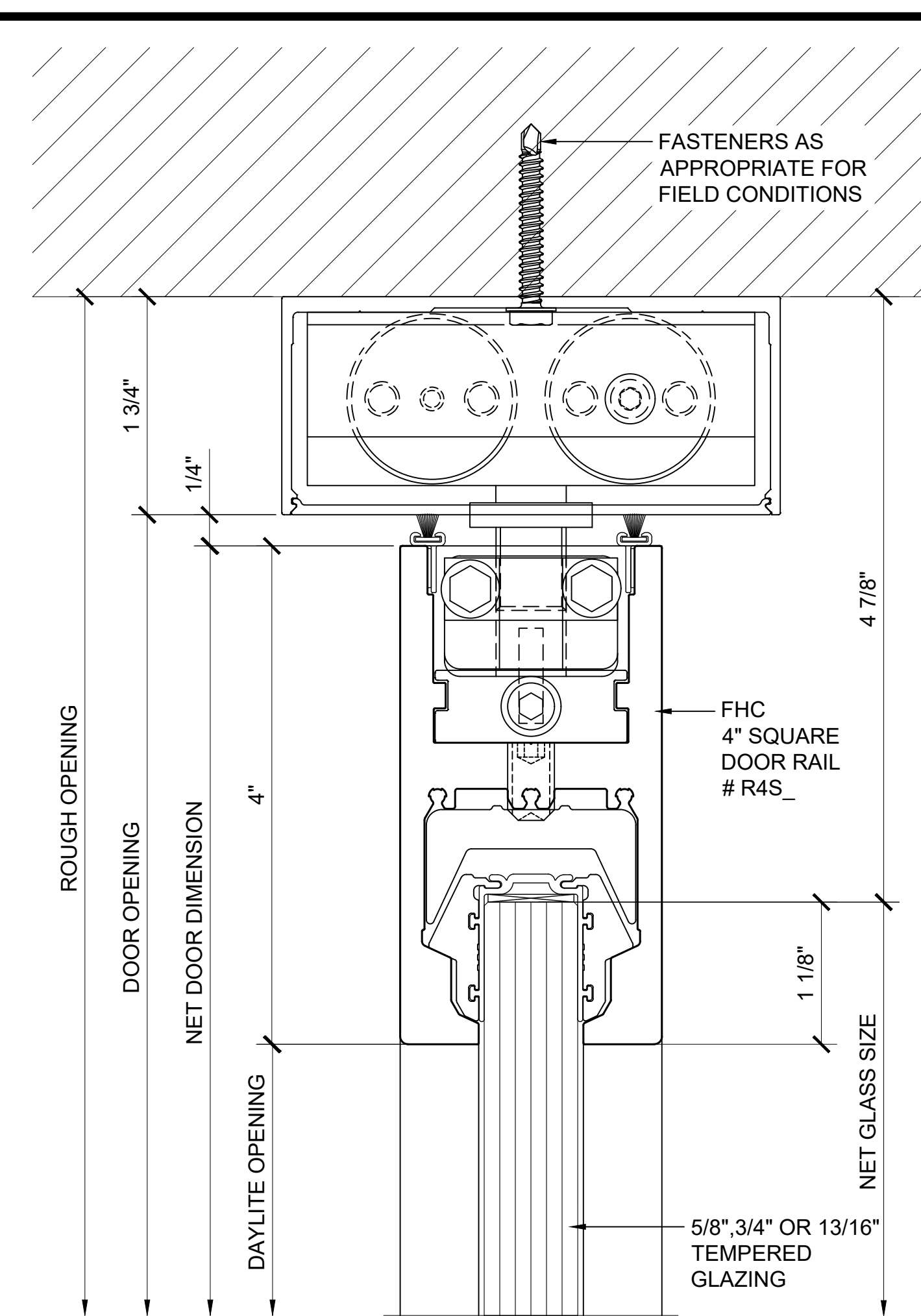
Sheet No. **3.01**



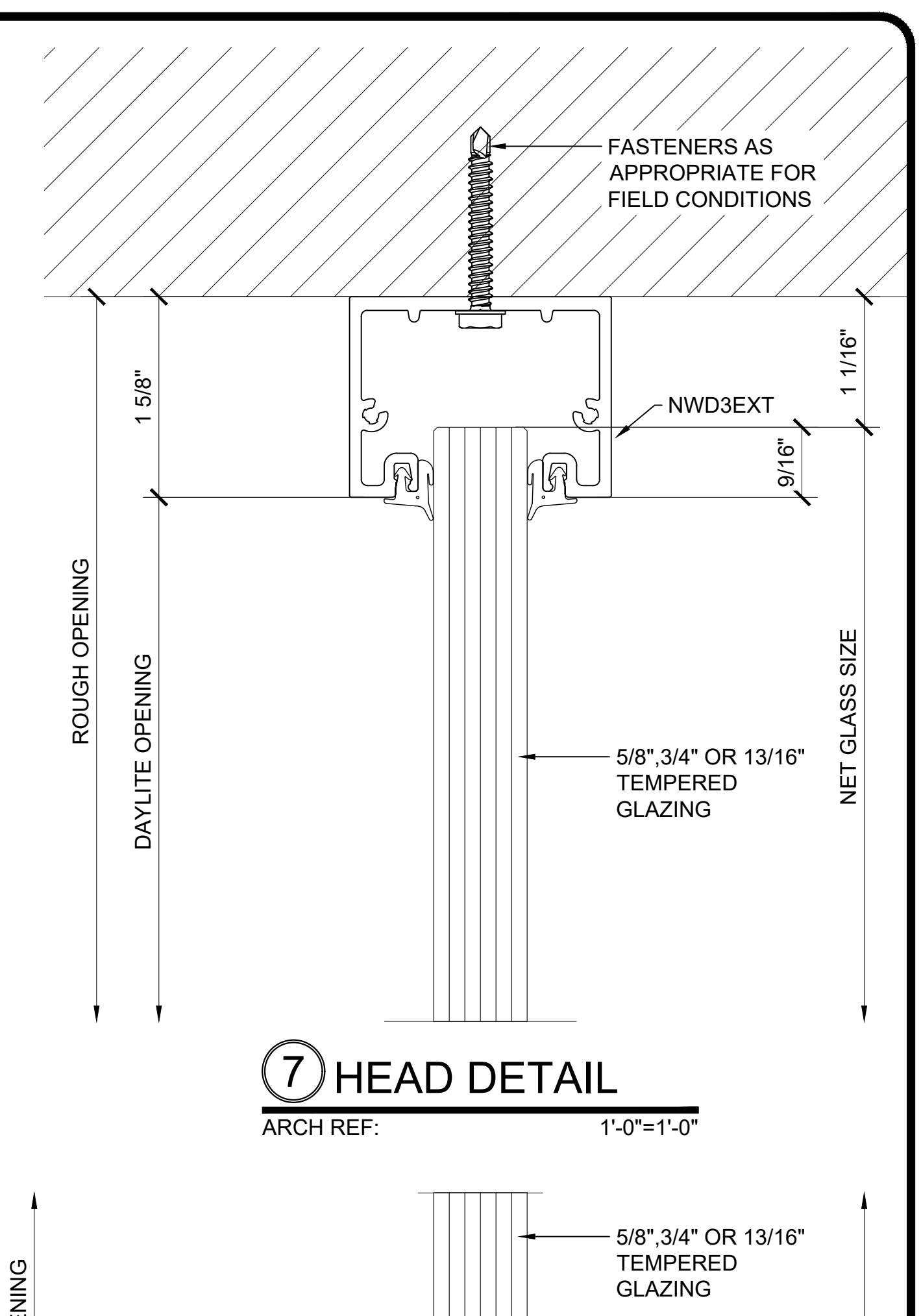
1 HEAD DETAIL
ARCH REF: 1'-0"=1'-0"



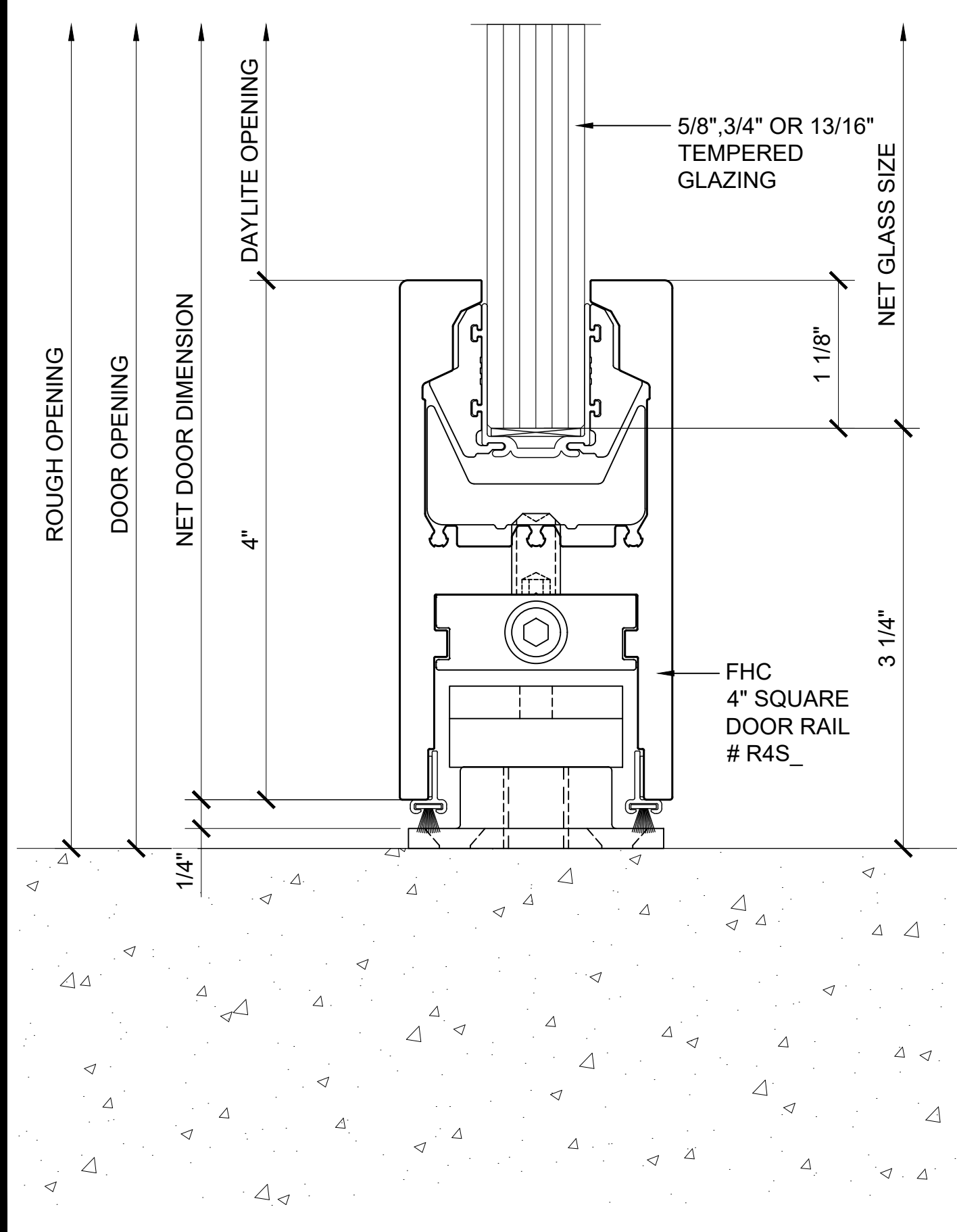
3 HEAD DETAIL
ARCH REF: 1'-0"=1'-0"



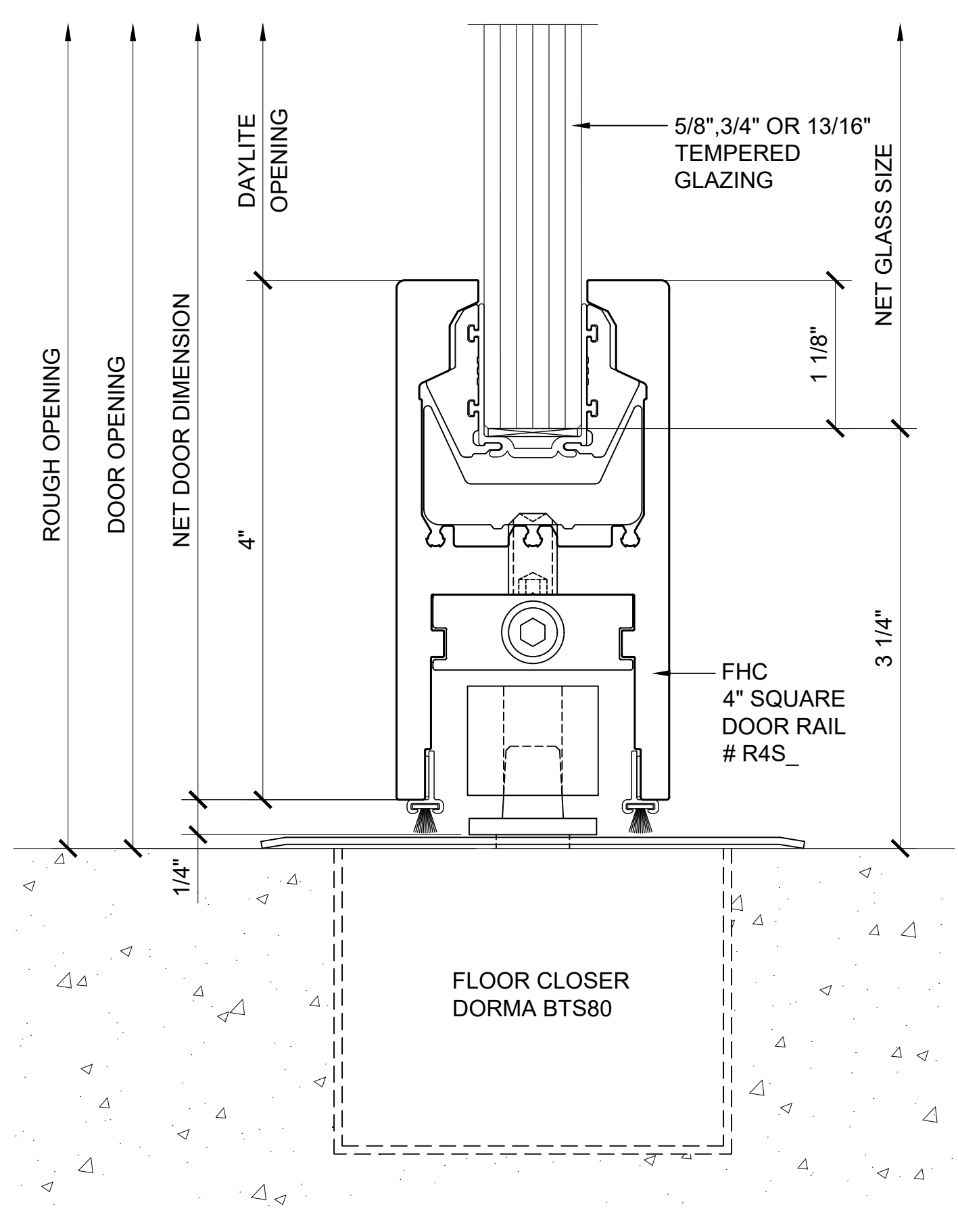
5 HEAD DETAIL W/ STILE
ARCH REF: 1'-0"=1'-0"



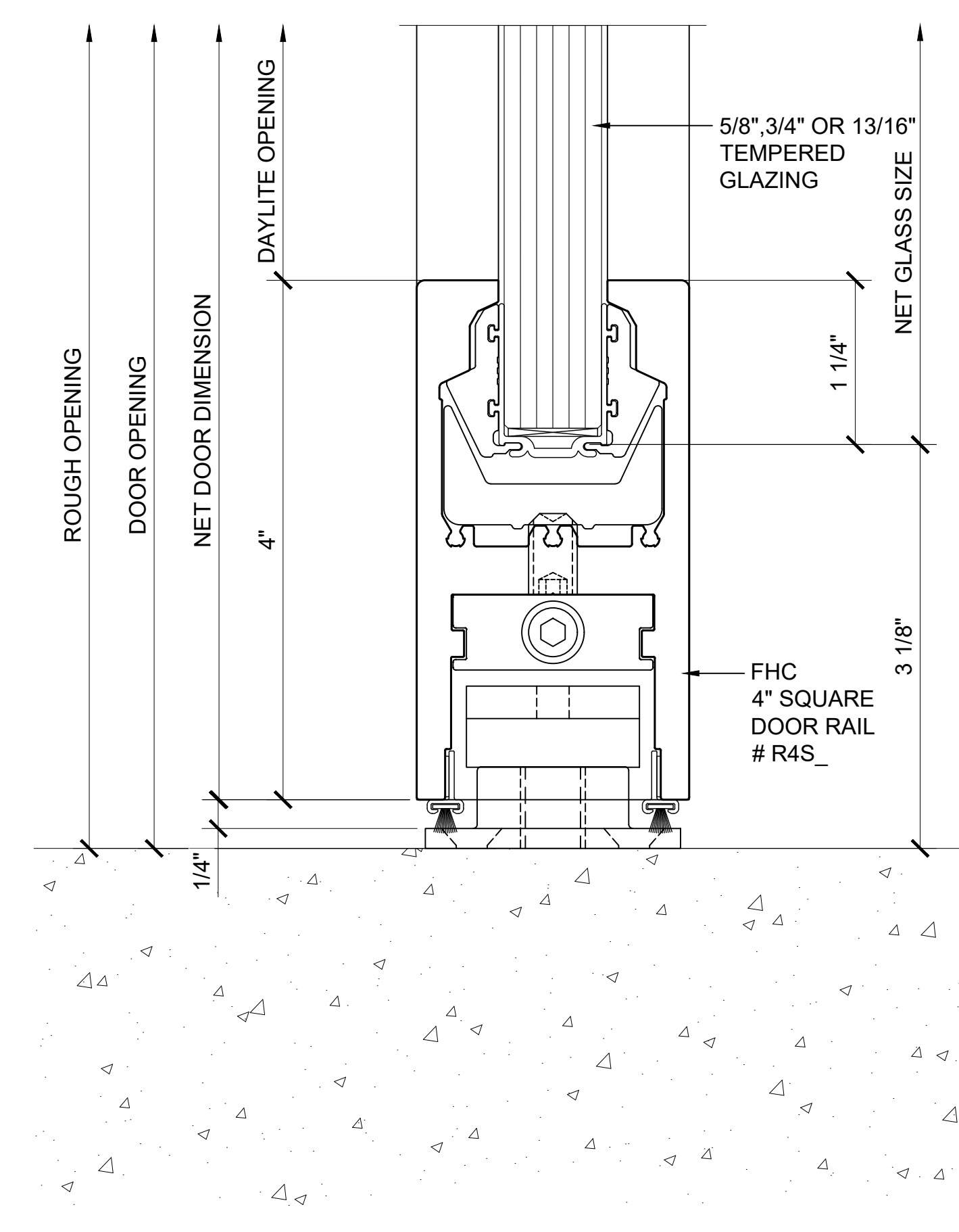
7 HEAD DETAIL
ARCH REF: 1'-0"=1'-0"



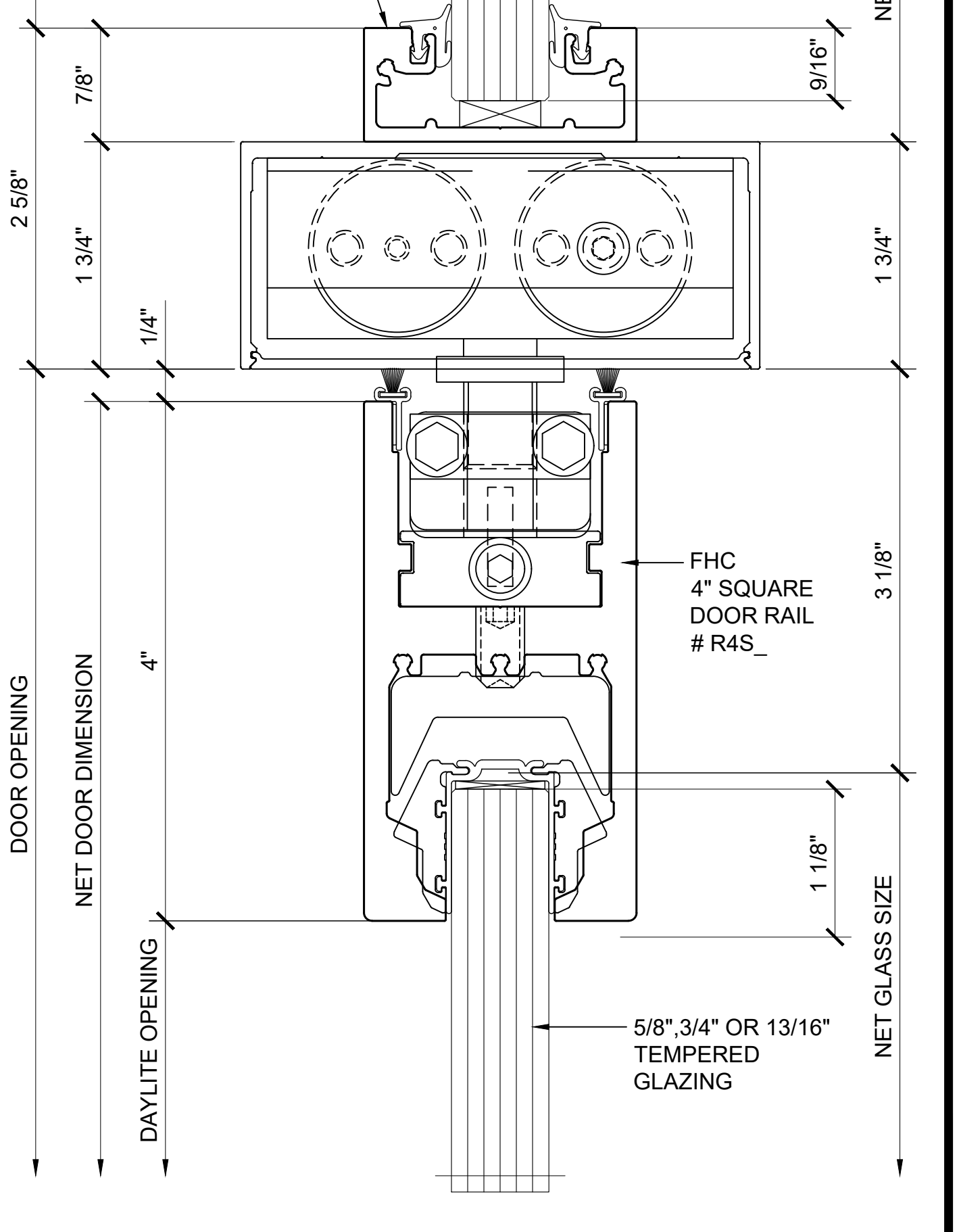
2 SILL DETAIL
ARCH REF: 1'-0"=1'-0"



4 SILL DETAIL
ARCH REF: 1'-0"=1'-0"



6 SILL DETAIL W/ STILE
ARCH REF: 1'-0"=1'-0"



8 TRANSOM DETAIL
ARCH REF: 1'-0"=1'-0"

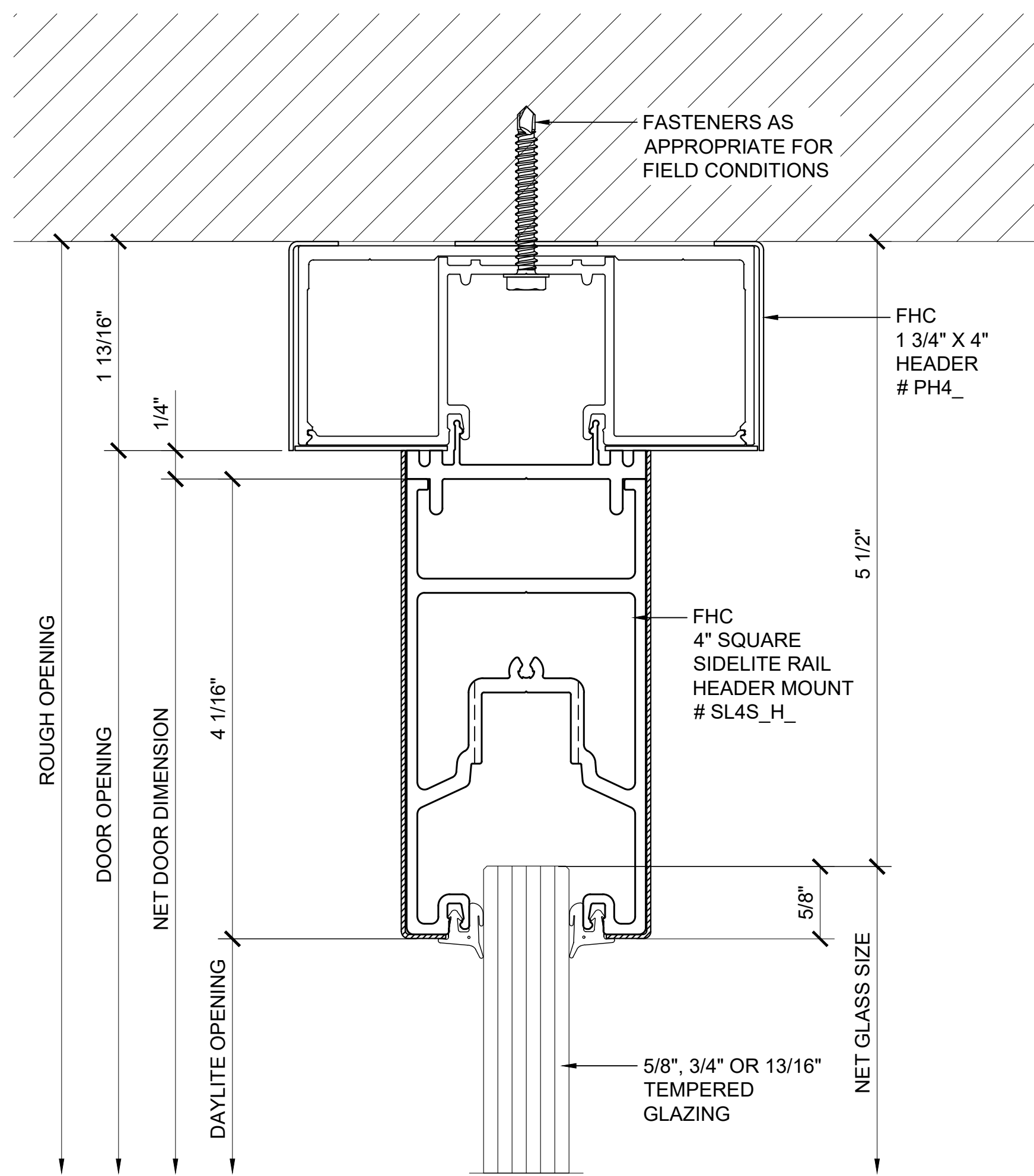
Architect: _____ Phone: _____
Fax: _____ Contact: _____

Job Name: _____ Phone: _____
Fax: _____ Contact: _____

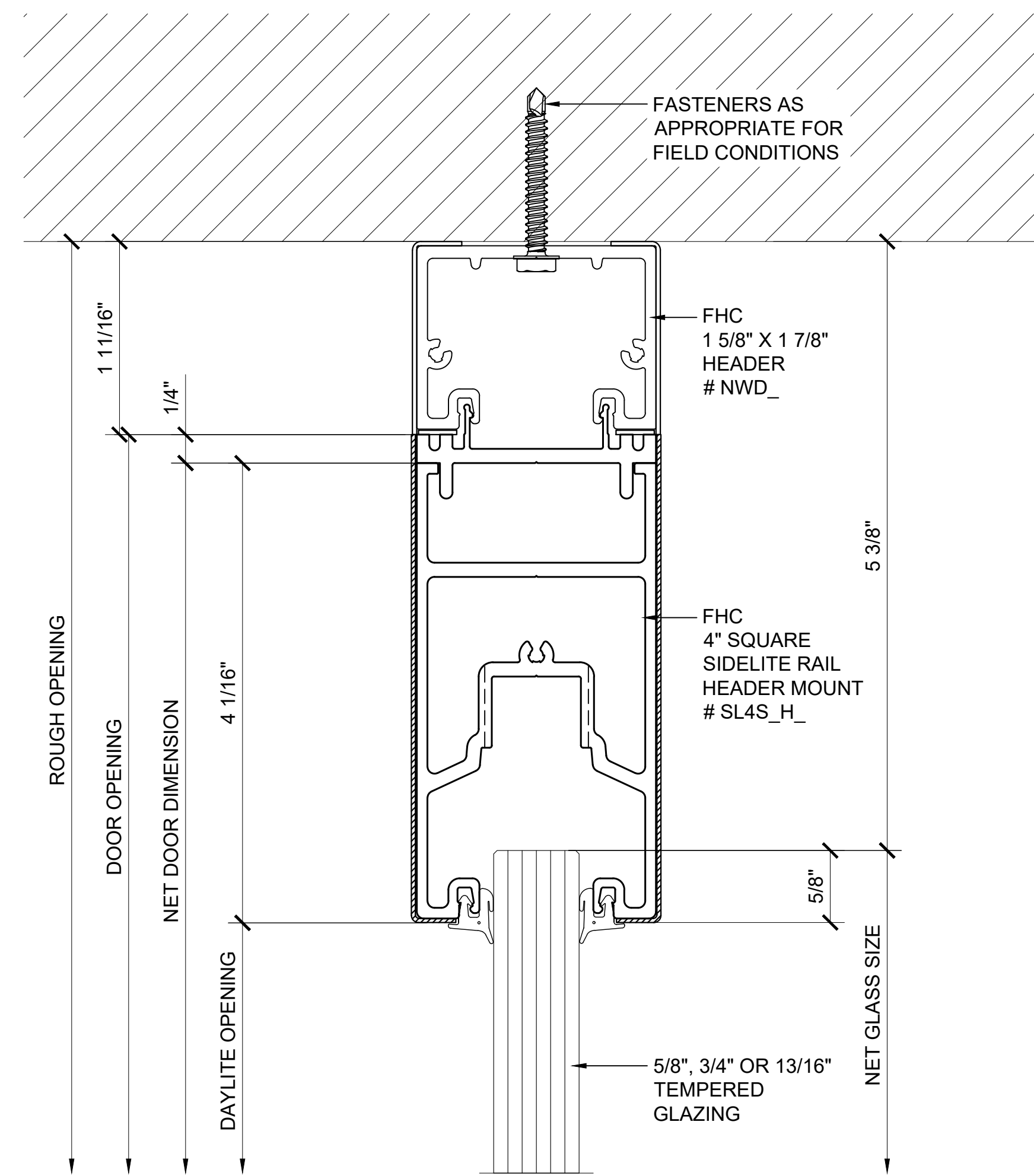
Customer: _____ Phone: _____
Fax: _____ Contact: _____

REV#	DATE	DRAWN BY
1	10/30/20	JPL
2		
3		
4		
5		
6		

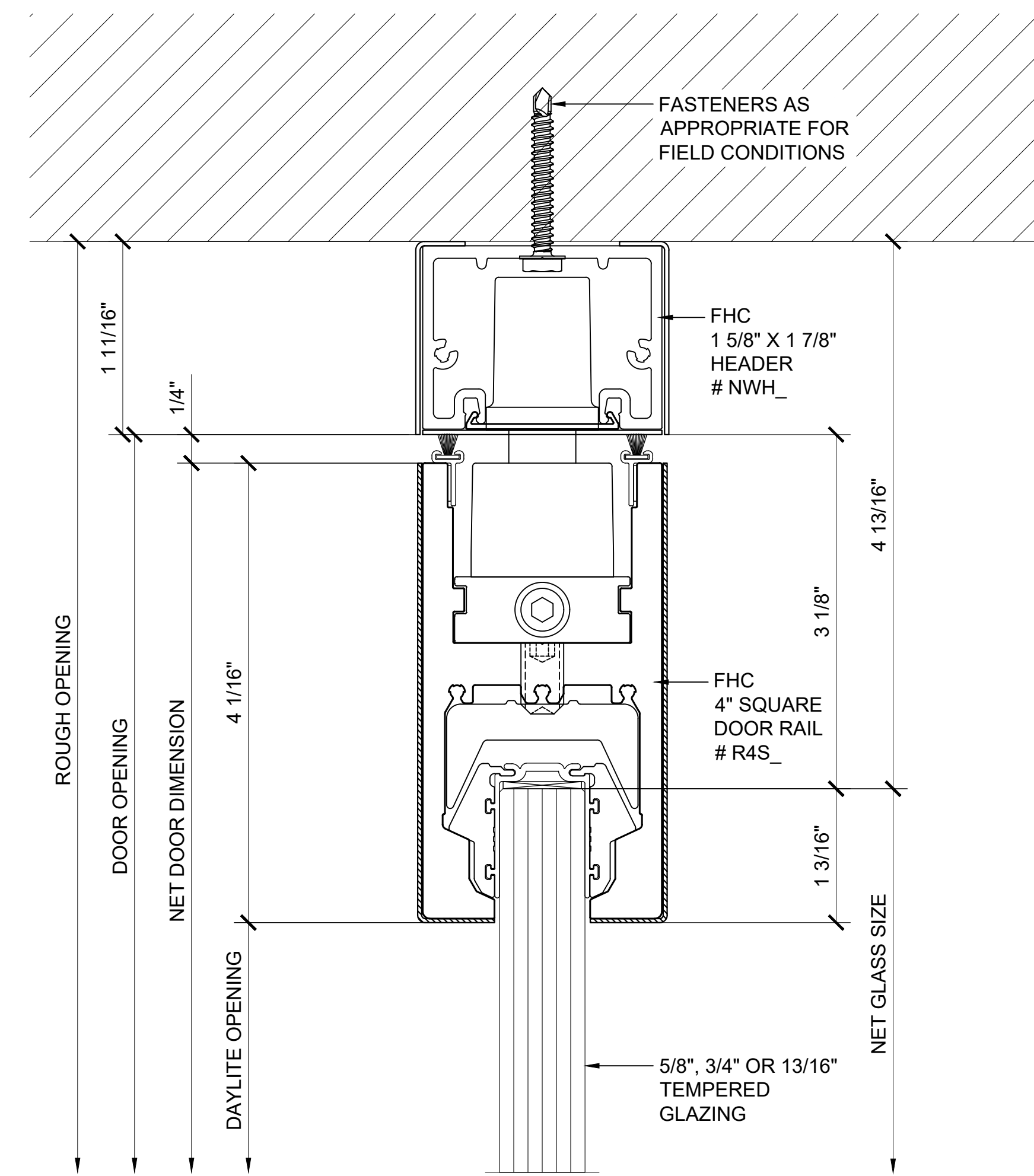
Drawn By: JPL
Checked By: PM
Date: 00/00/20
Scale: AS NOTED
Project #: 000000



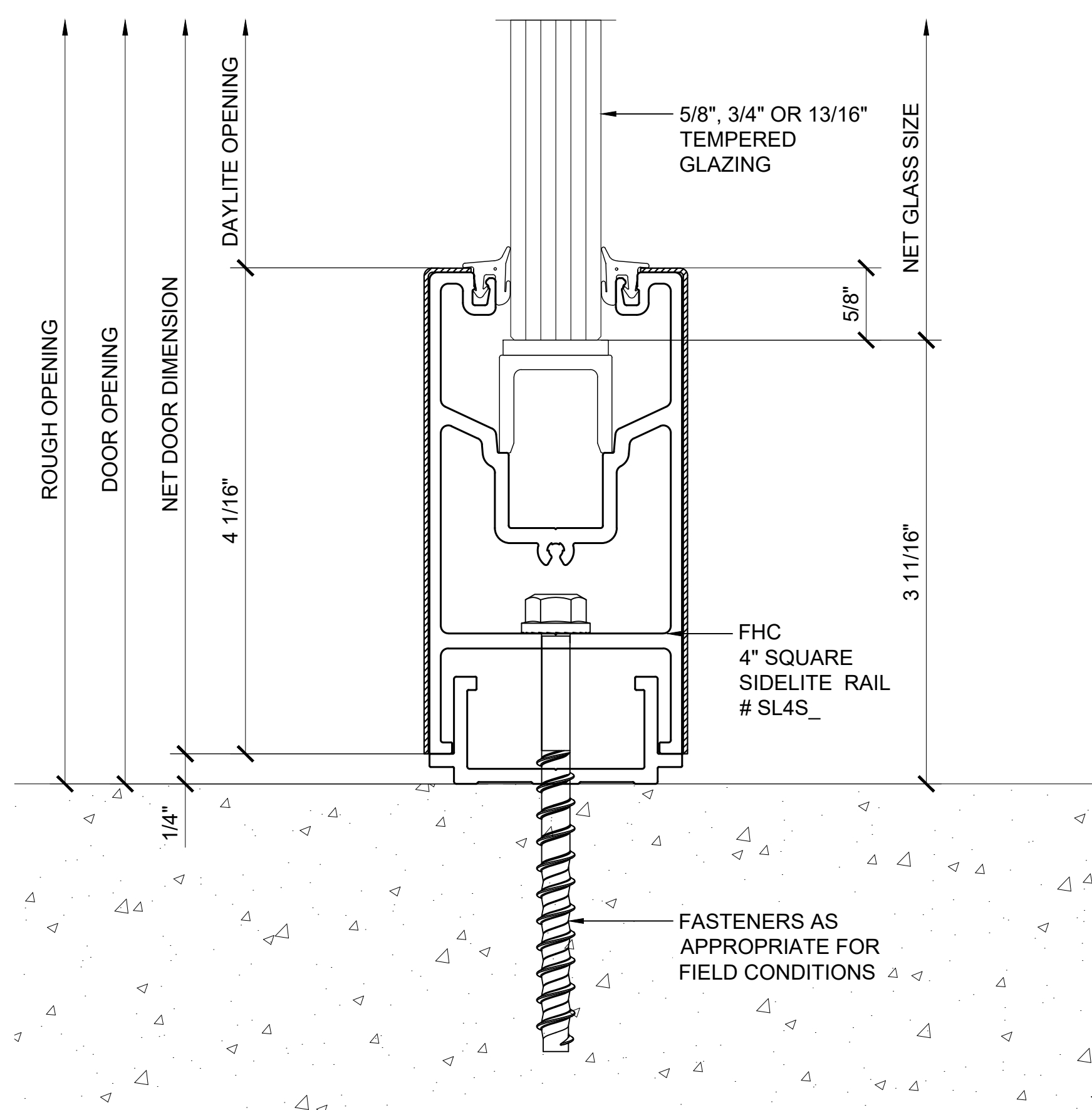
1 HEAD DETAIL
ARCH REF: 1'-0"=1'-0"



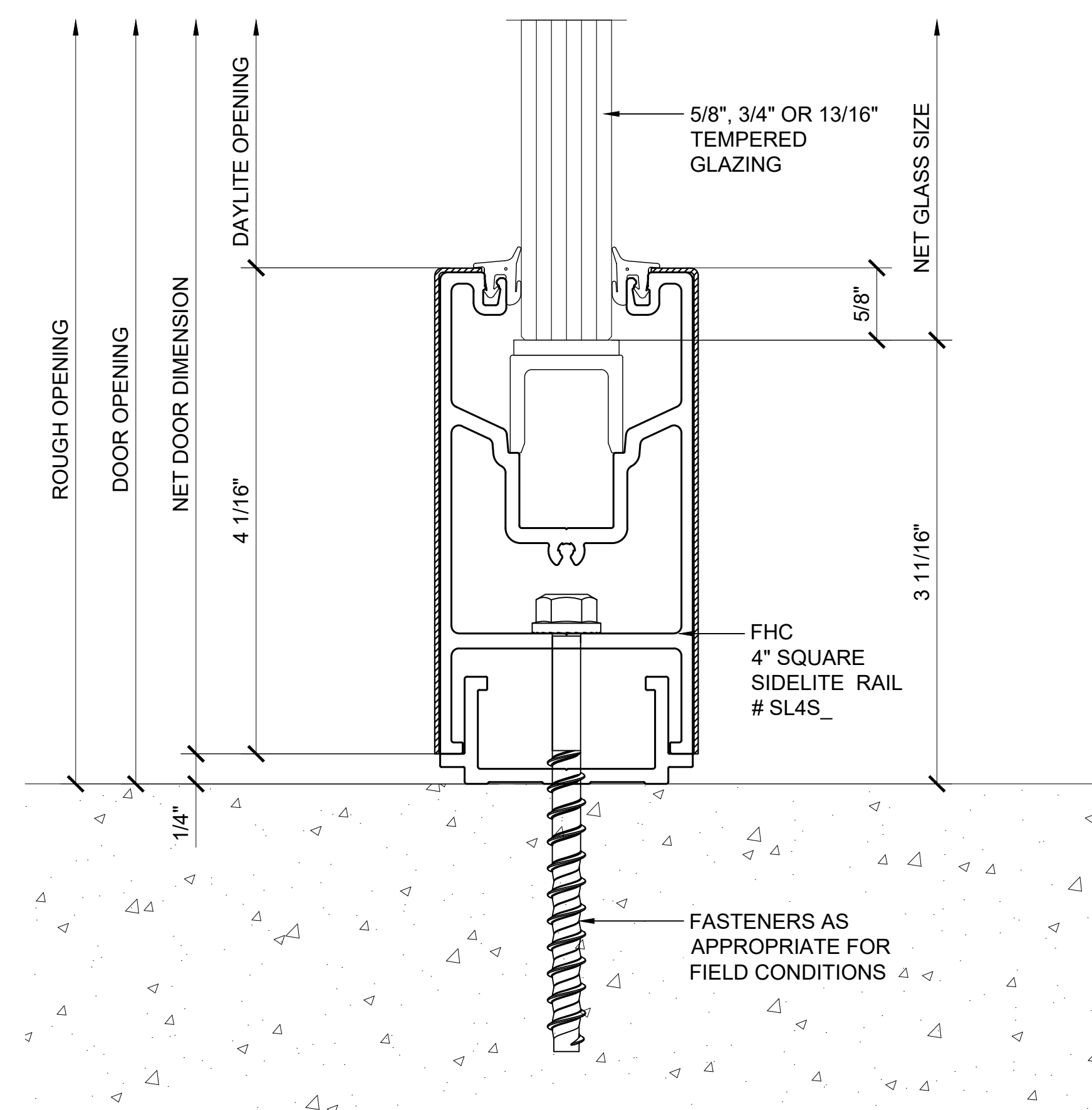
3 HEAD DETAIL
ARCH REF: 1'-0"=1'-0"



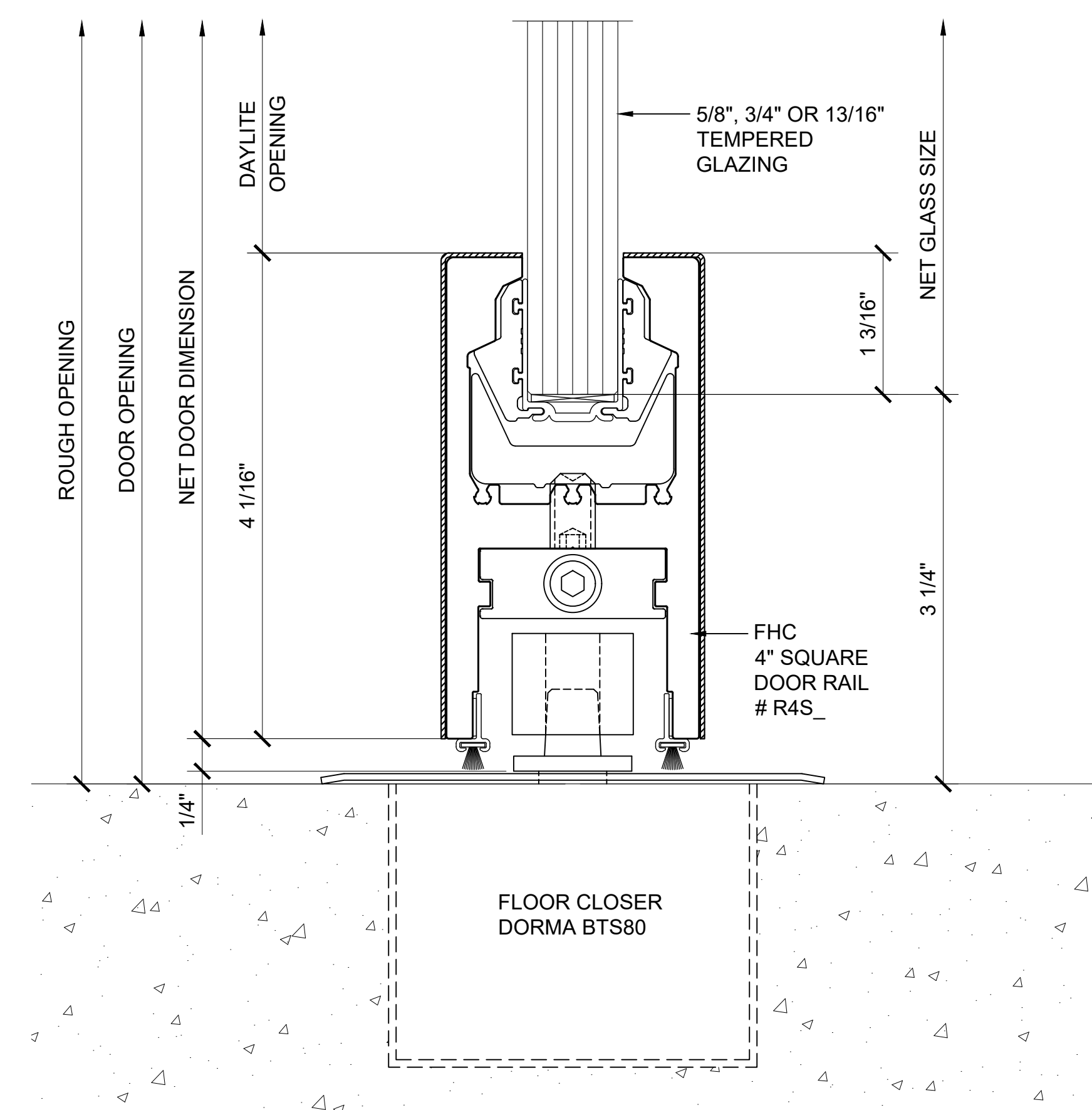
5 HEAD DETAIL
ARCH REF: 1'-0"=1'-0"



2 SILL DETAIL
ARCH REF: 1'-0"=1'-0"



4 SILL DETAIL
ARCH REF: 1'-0"=1'-0"



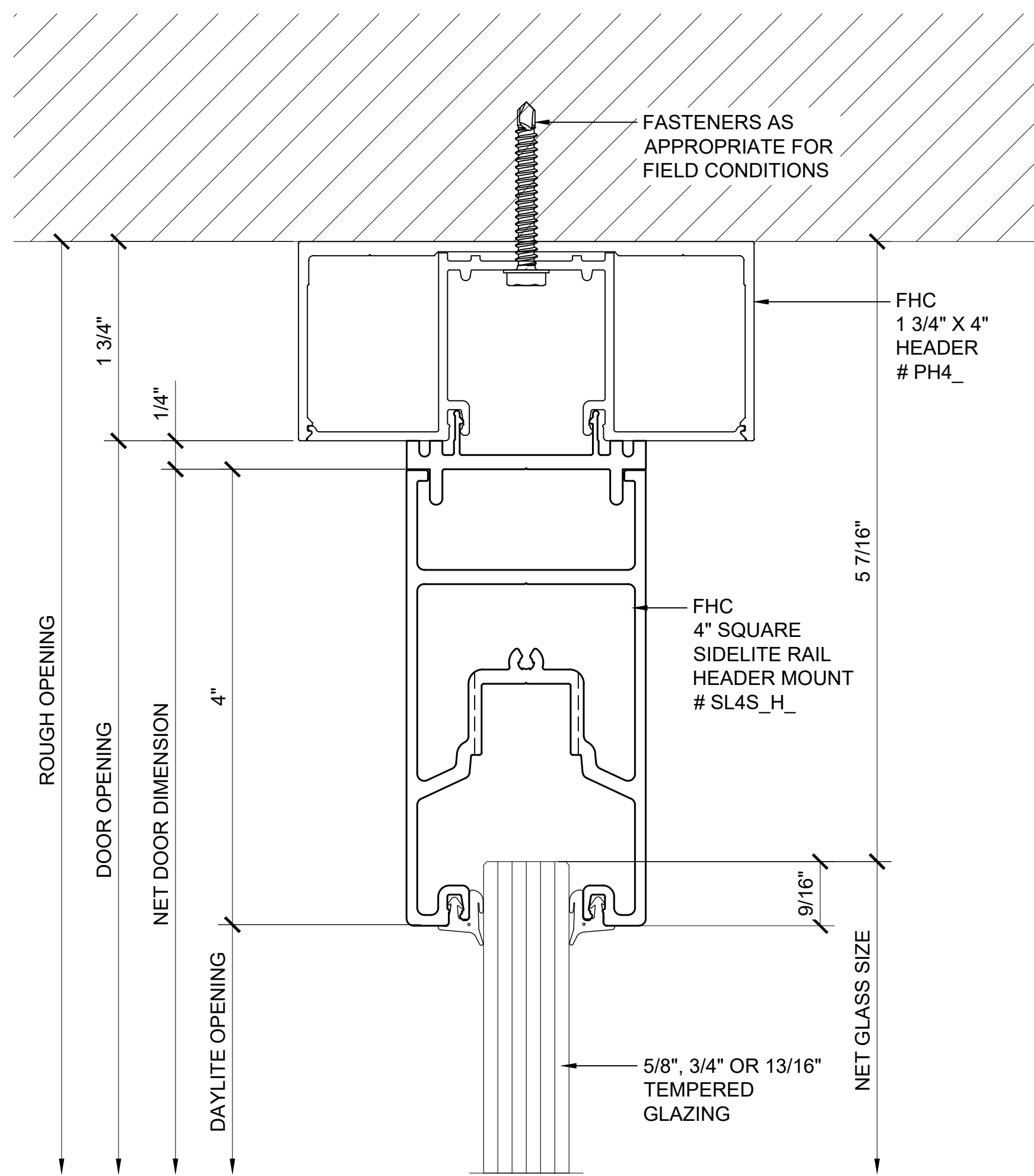
6 SILL DETAIL
ARCH REF: 1'-0"=1'-0"

Architect: _____
Job Name: _____
Phone: _____
Fax: _____
Contact: _____

Customer: _____
Date: _____
Drawn By: JPL
Checked By: PM
Date: 00/00/20
Scale: AS NOTED
Project #: 000000

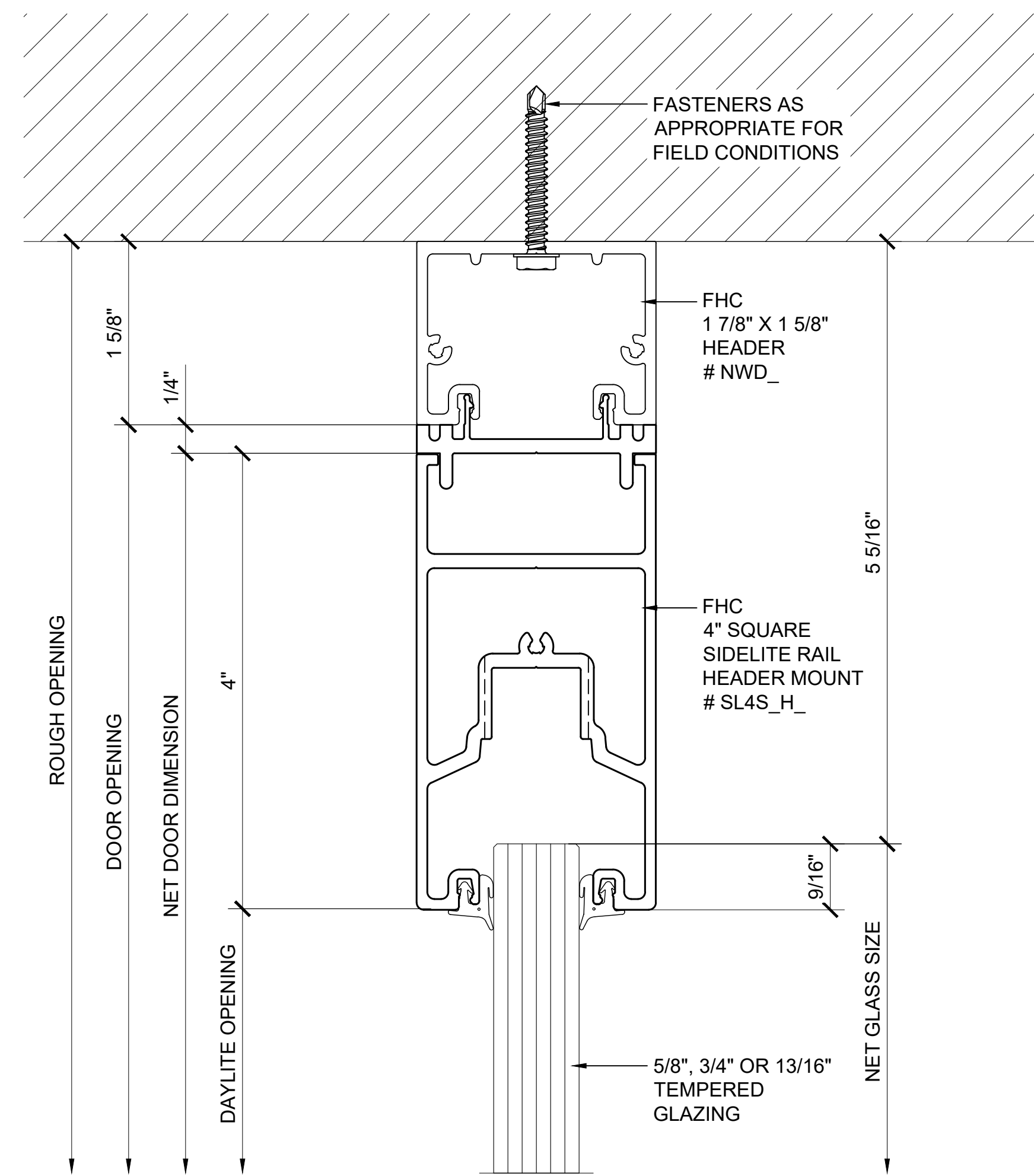
REV#	DATE	DRAWN BY
0	10/30/20	JPL
1		
2		
3		
4		
5		
6		

Phone: _____
Fax: _____
Contact: _____



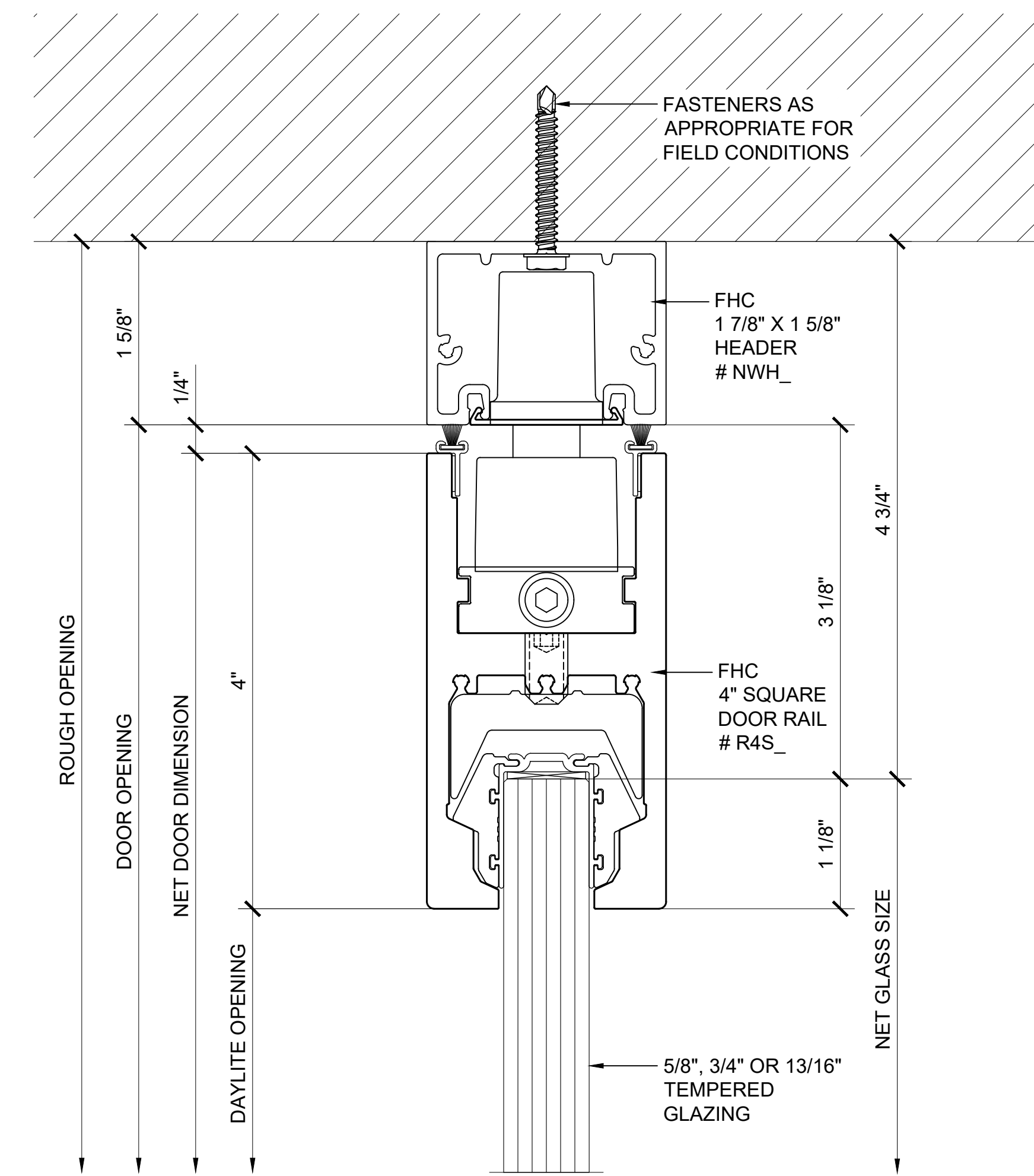
1 HEAD DETAIL

ARCH REF: 1'-0"=1'-0"



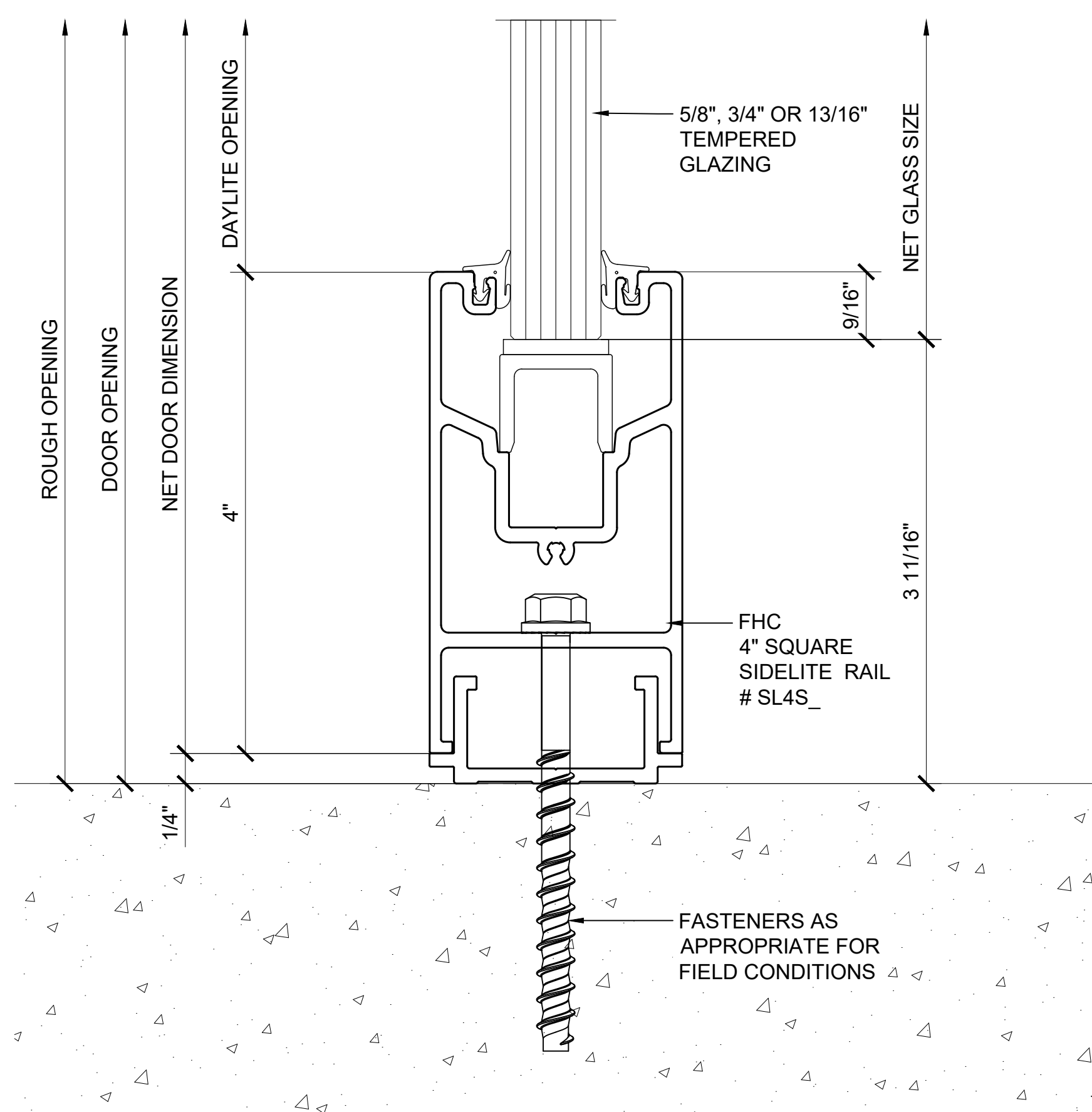
3 HEAD DETAIL

ARCH REF: 1'-0"=1'-0"



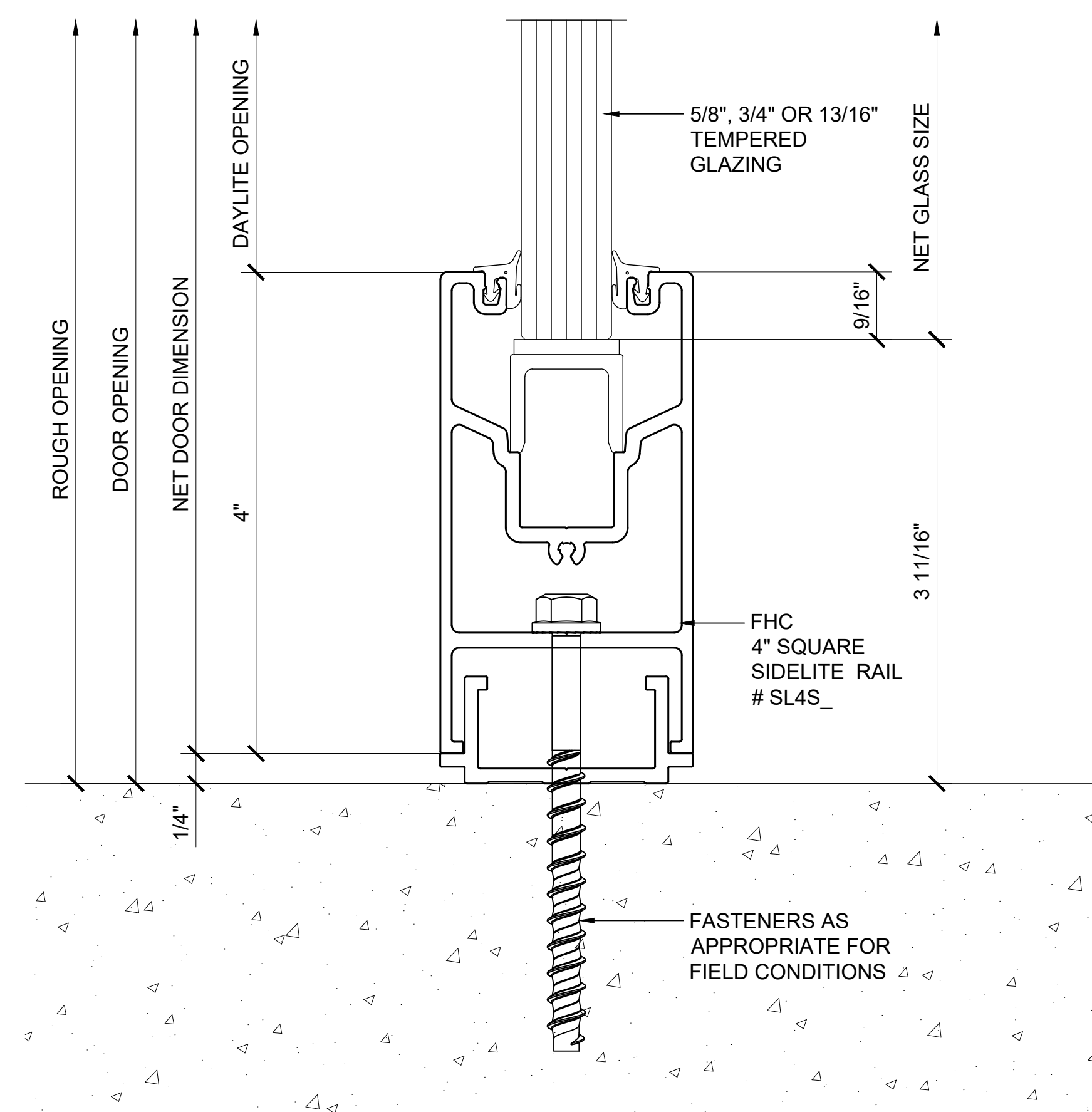
5 HEAD DETAIL

ARCH REF: 1'-0"=1'-0"



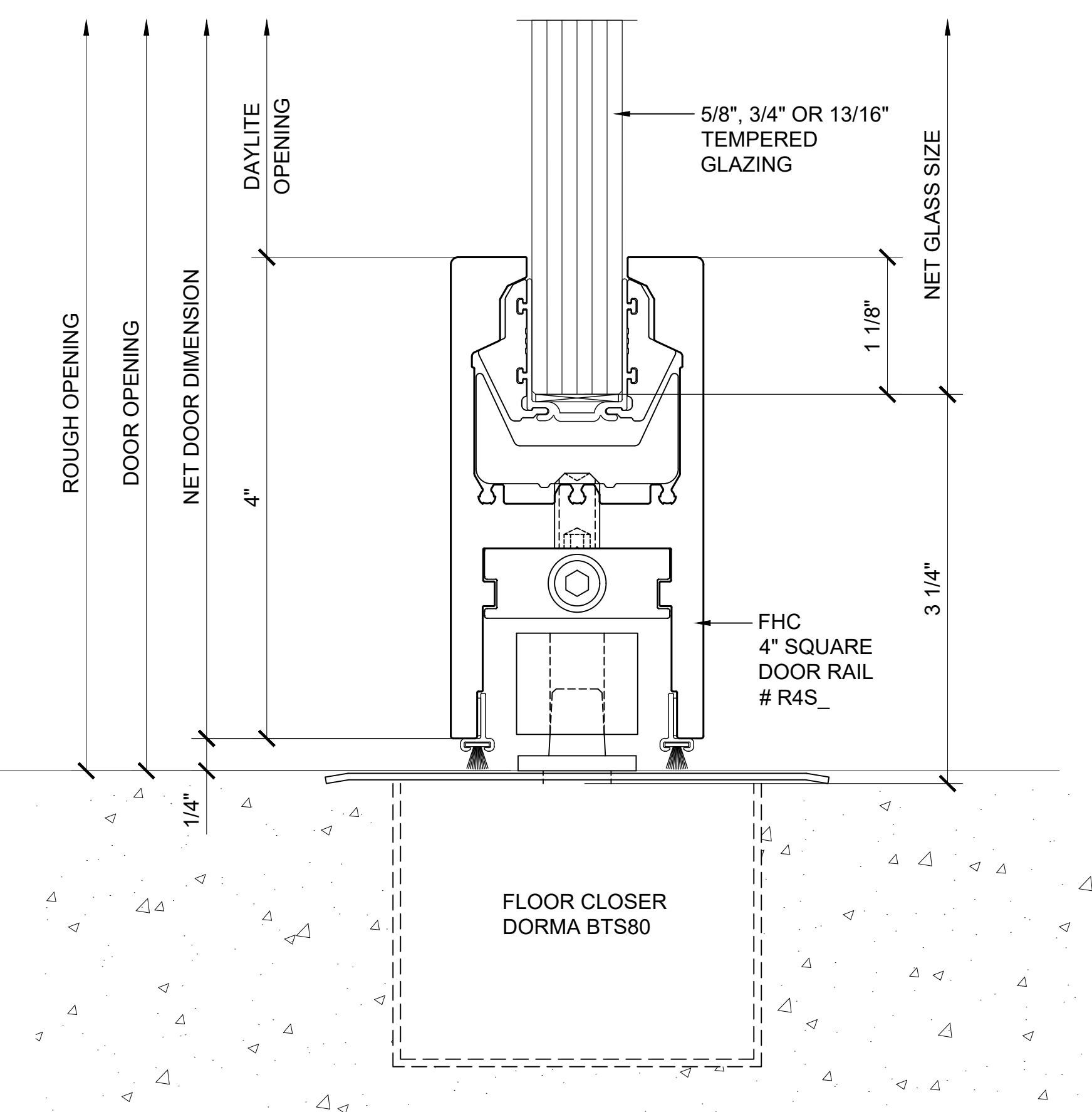
2 SILL DETAIL

ARCH REF: 1'-0"=1'-0"



4 SILL DETAIL

ARCH REF: 1'-0"=1'-0"



6 SILL DETAIL

ARCH REF: 1'-0"=1'-0"

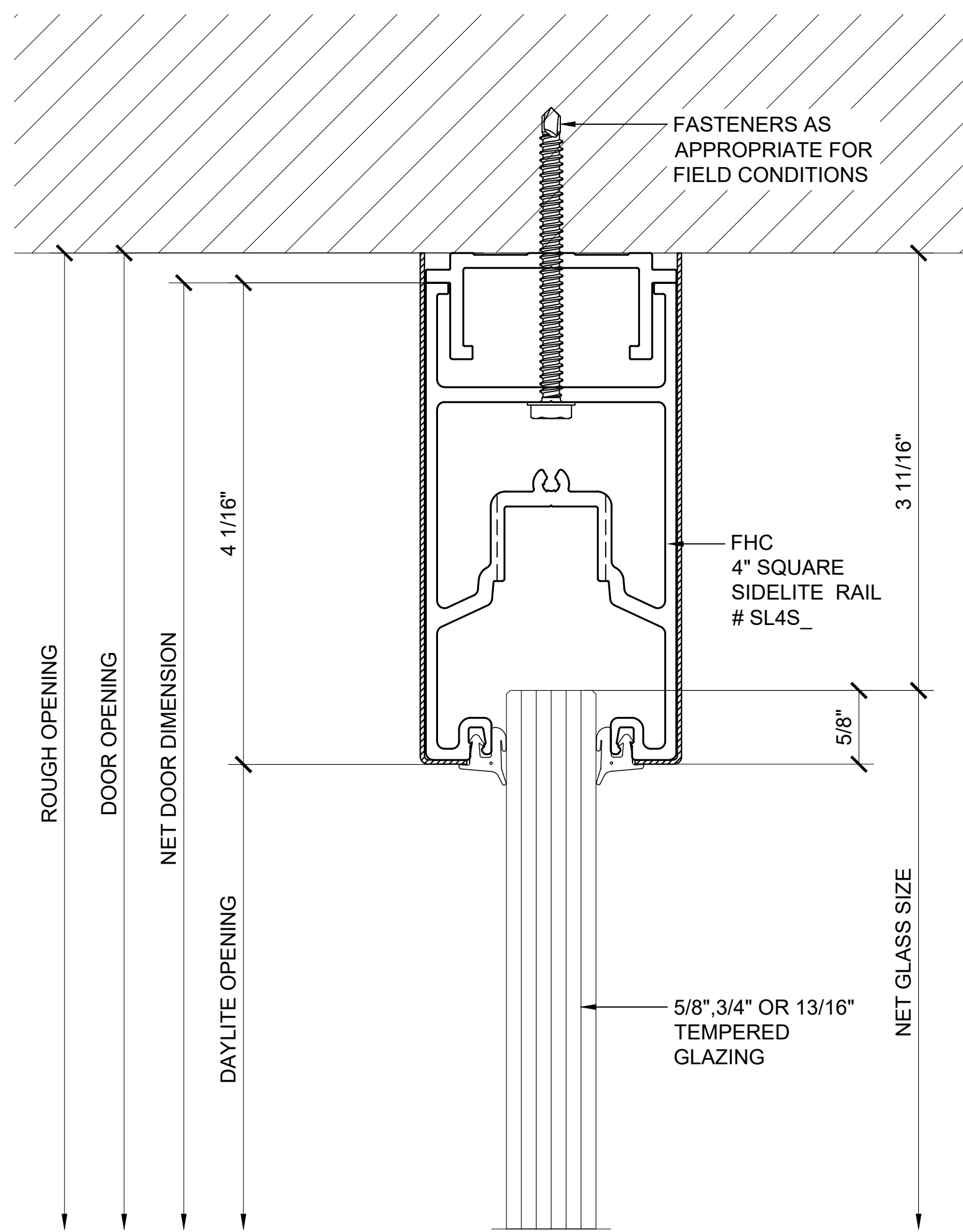
Architect: _____
 Phone: _____
 Fax: _____
 Contact: _____

Job Name: _____
 Phone: _____
 Fax: _____
 Contact: _____

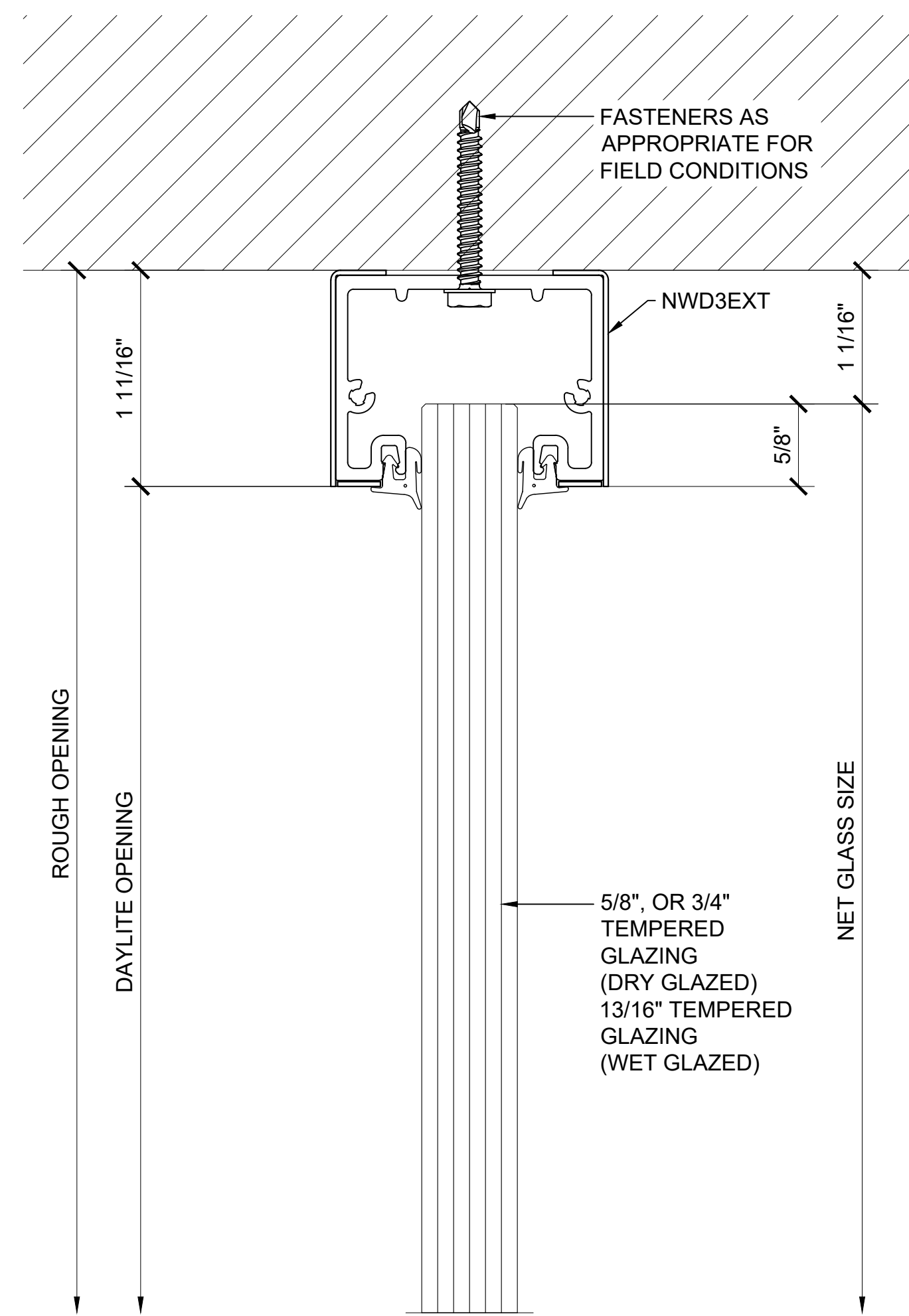
Customer: _____
 Phone: _____
 Fax: _____
 Contact: _____

REV#	DATE	DRAWN BY
0	10/30/20	JPL
1		
2		
3		
4		
5		
6		

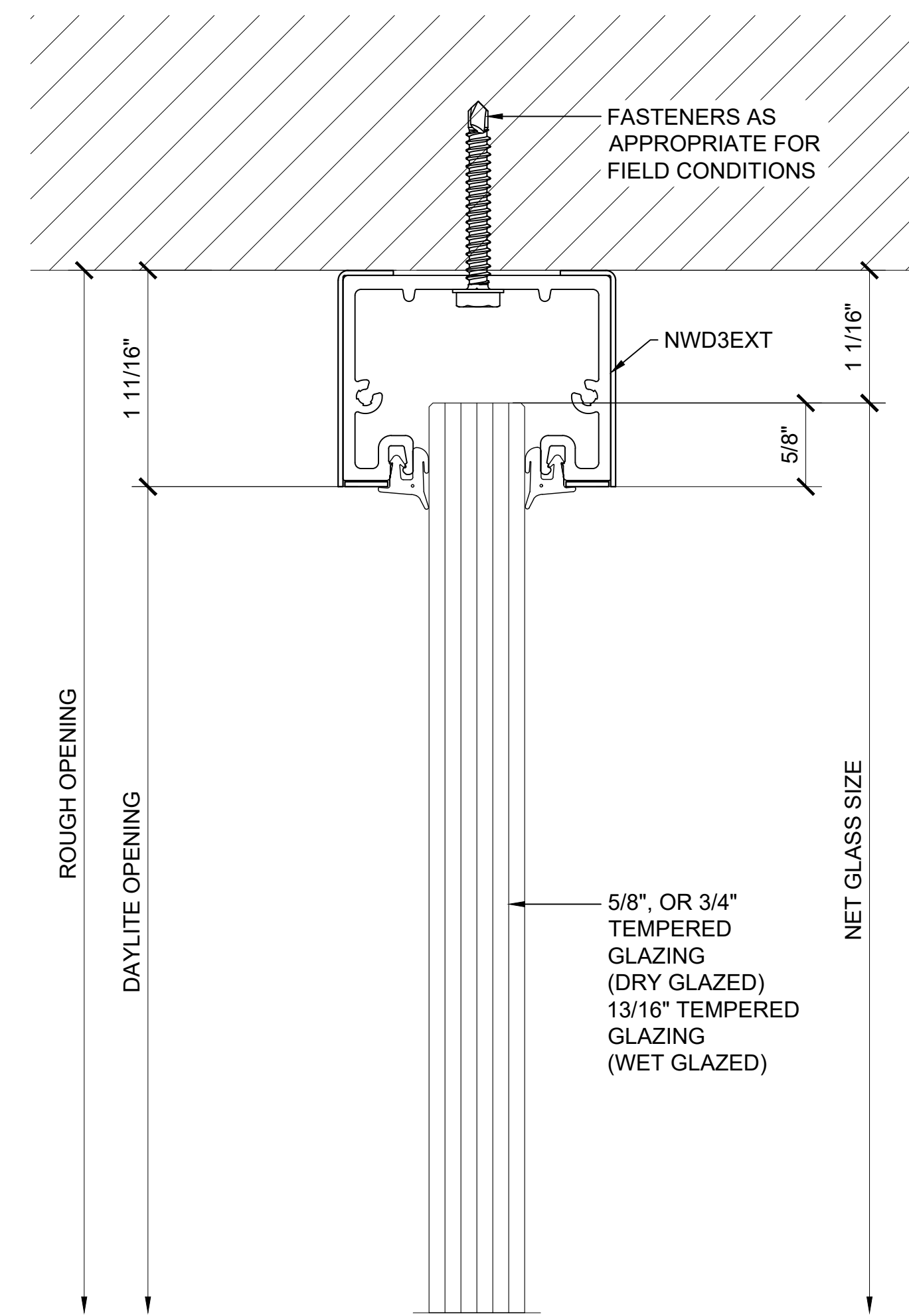
Drawn By: JPL
 Checked By: PM
 Date: 00/00/20
 Scale: AS NOTED
 Project #: 000000



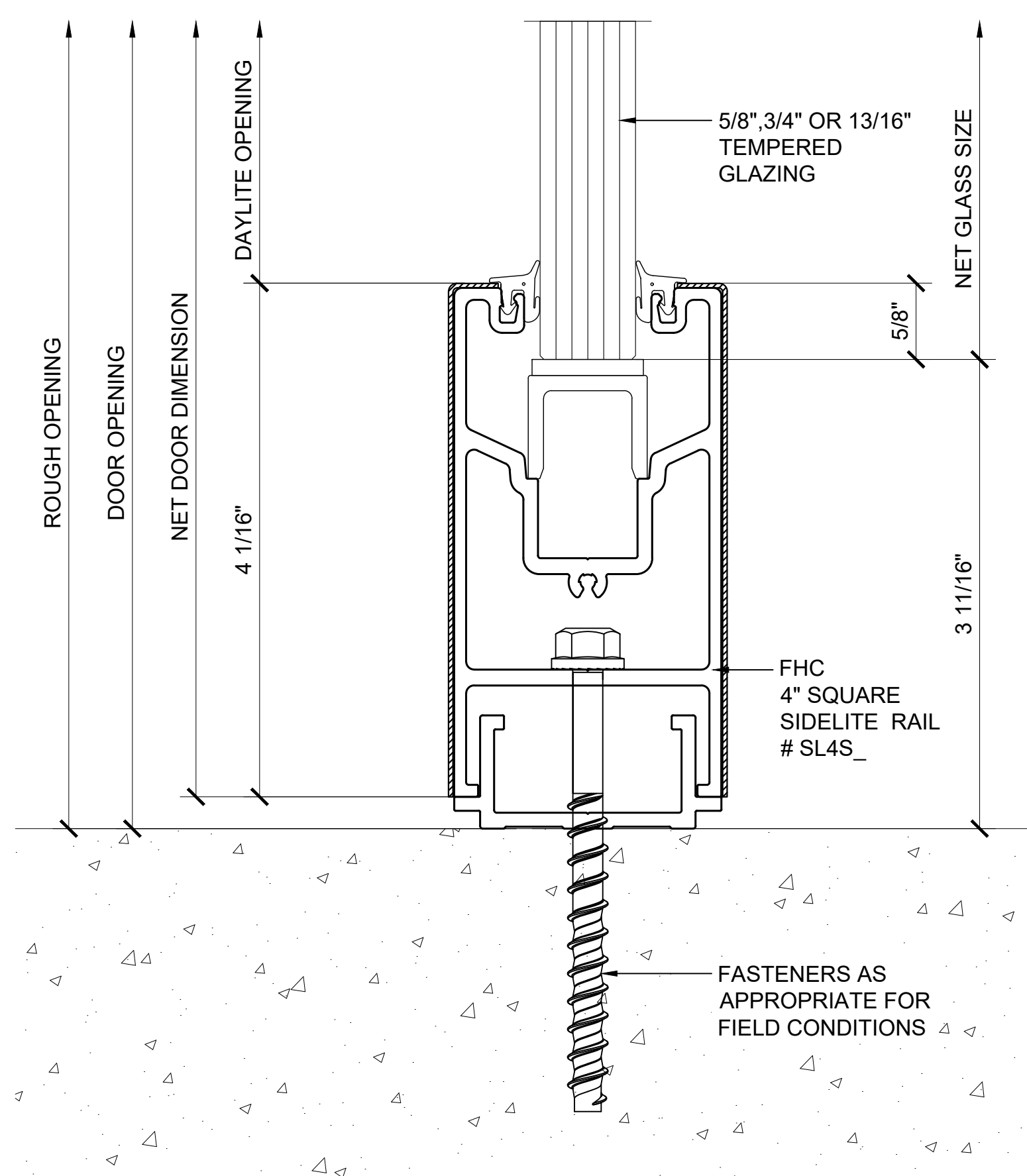
① HEAD DETAIL
ARCH REF: 1'-0"=1'-0"



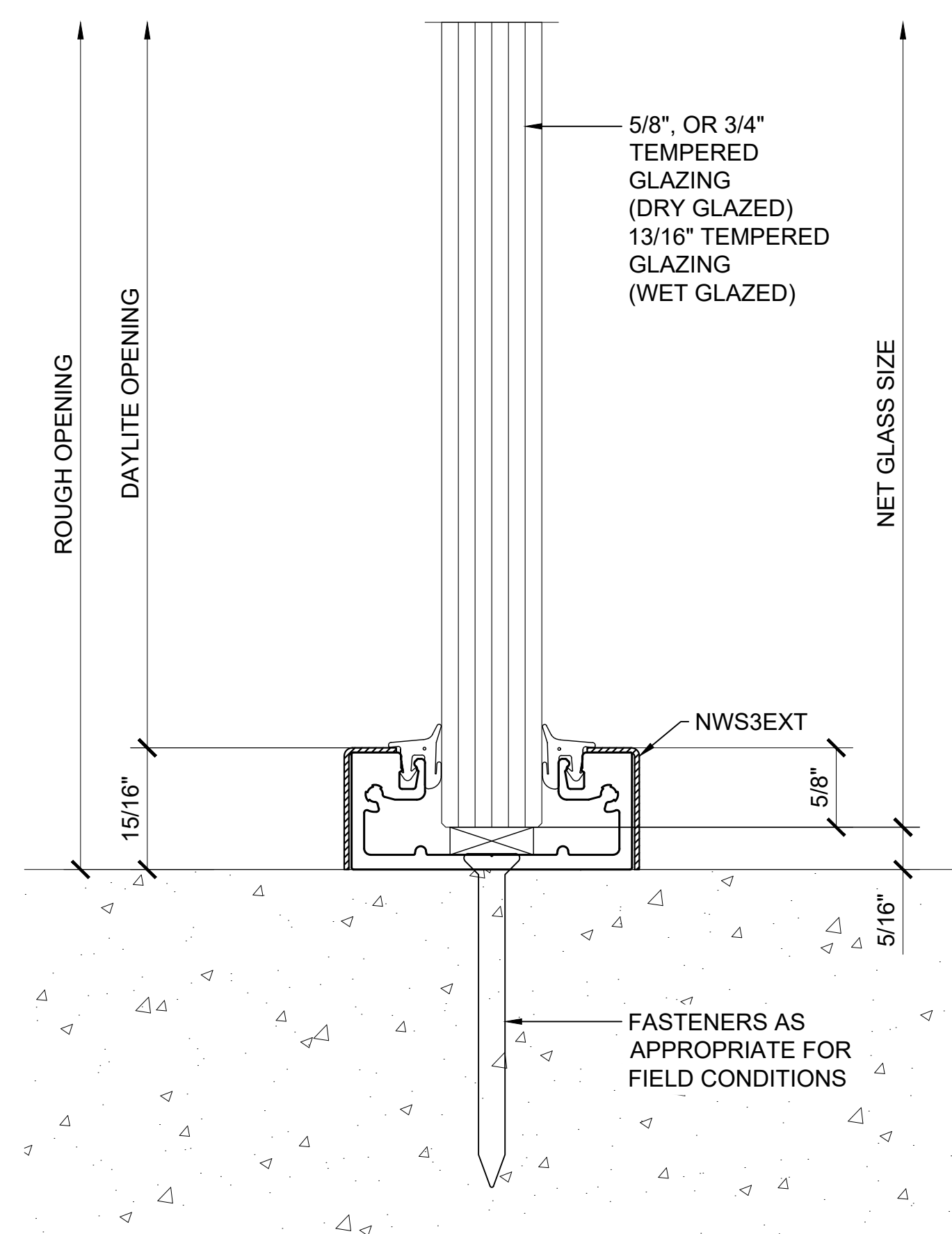
③ HEAD DETAIL
ARCH REF: 1'-0"=1'-0"



⑤ HEAD DETAIL
ARCH REF: 1'-0"=1'-0"



② SILL DETAIL
ARCH REF: 1'-0"=1'-0"



④ SILL DETAIL
ARCH REF: 1'-0"=1'-0"

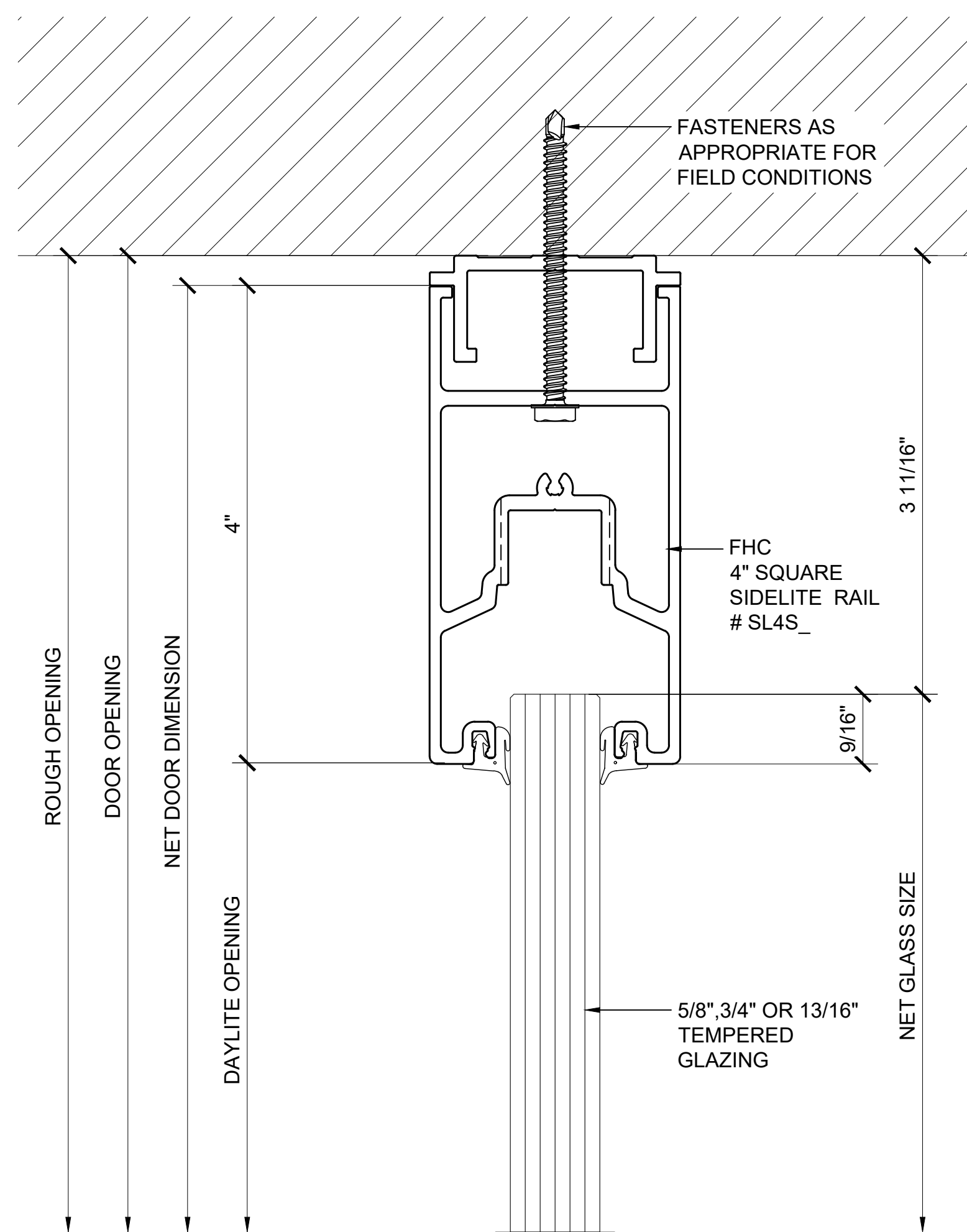
Architect: _____
Job Name: _____
Customer: _____
Phone: _____
Fax: _____
Contact: _____

Architect: _____
Job Name: _____
Customer: _____
Phone: _____
Fax: _____
Contact: _____

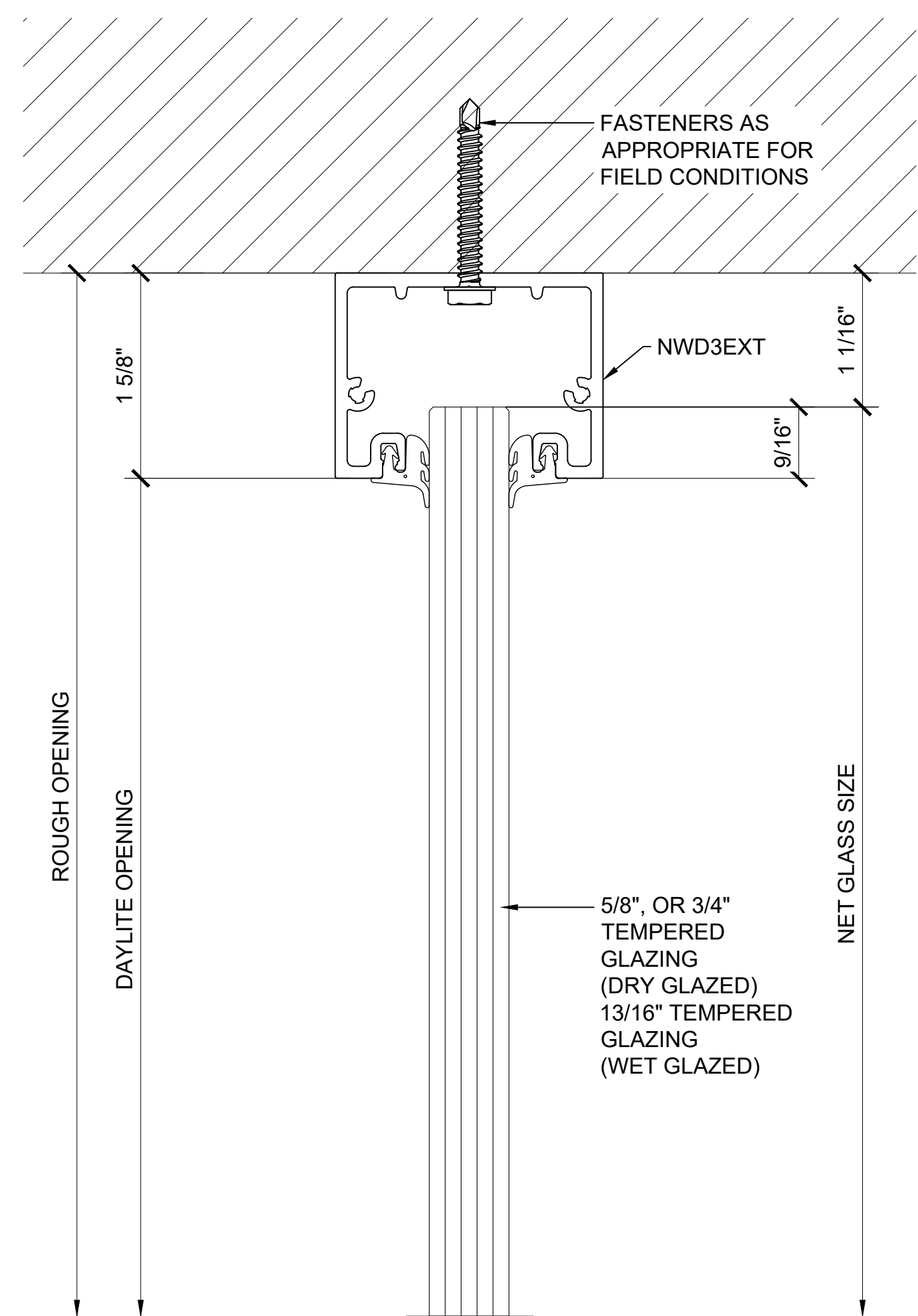
Architect: _____
Job Name: _____
Customer: _____
Phone: _____
Fax: _____
Contact: _____

REV#	DATE	DRAWN BY
0	10/30/20	JPL
1		
2		
3		
4		
5		
6		

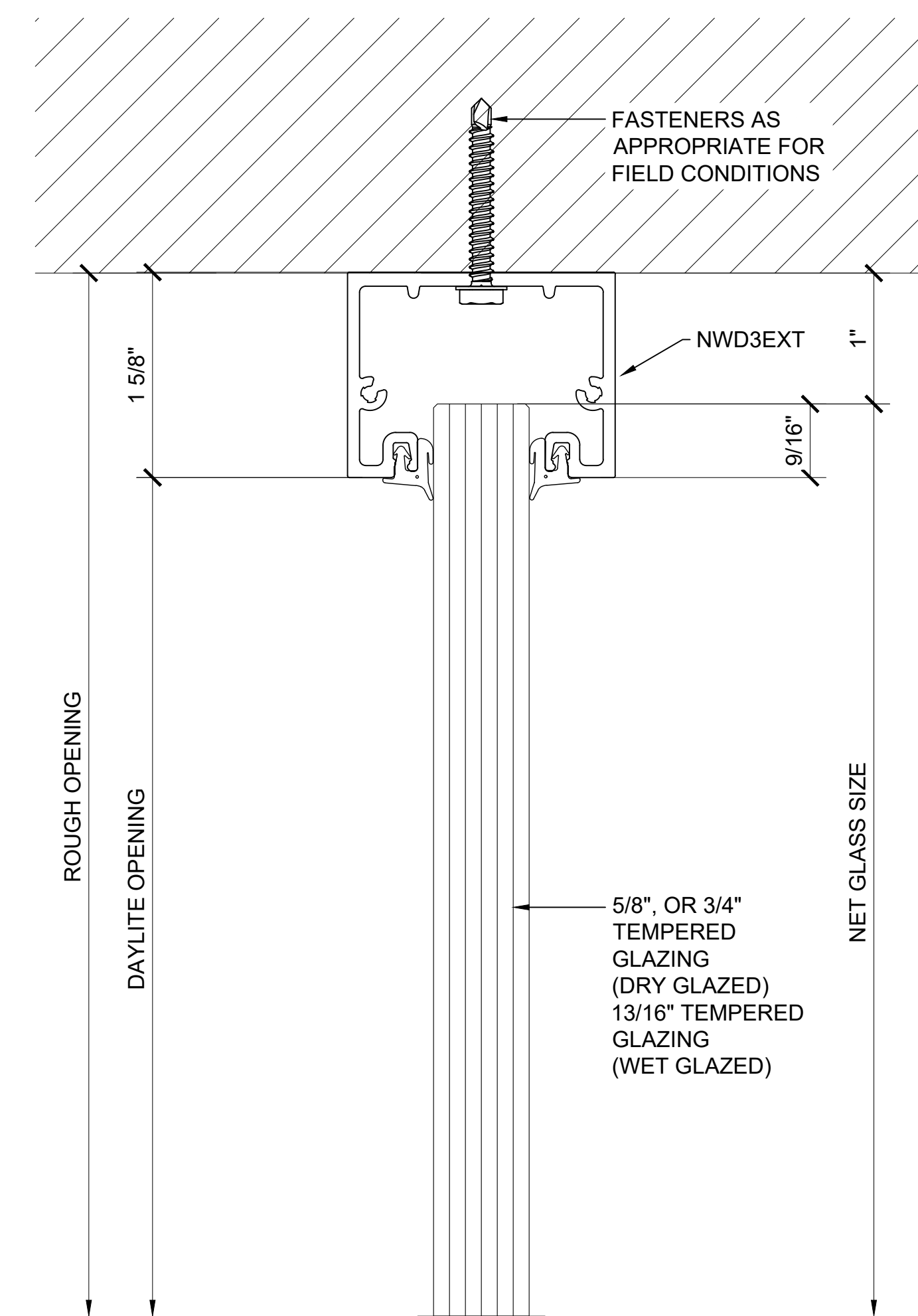
Drawn By: JPL
Checked By: PM
Date: 00/00/20
Scale: AS NOTED
Project #: 000000



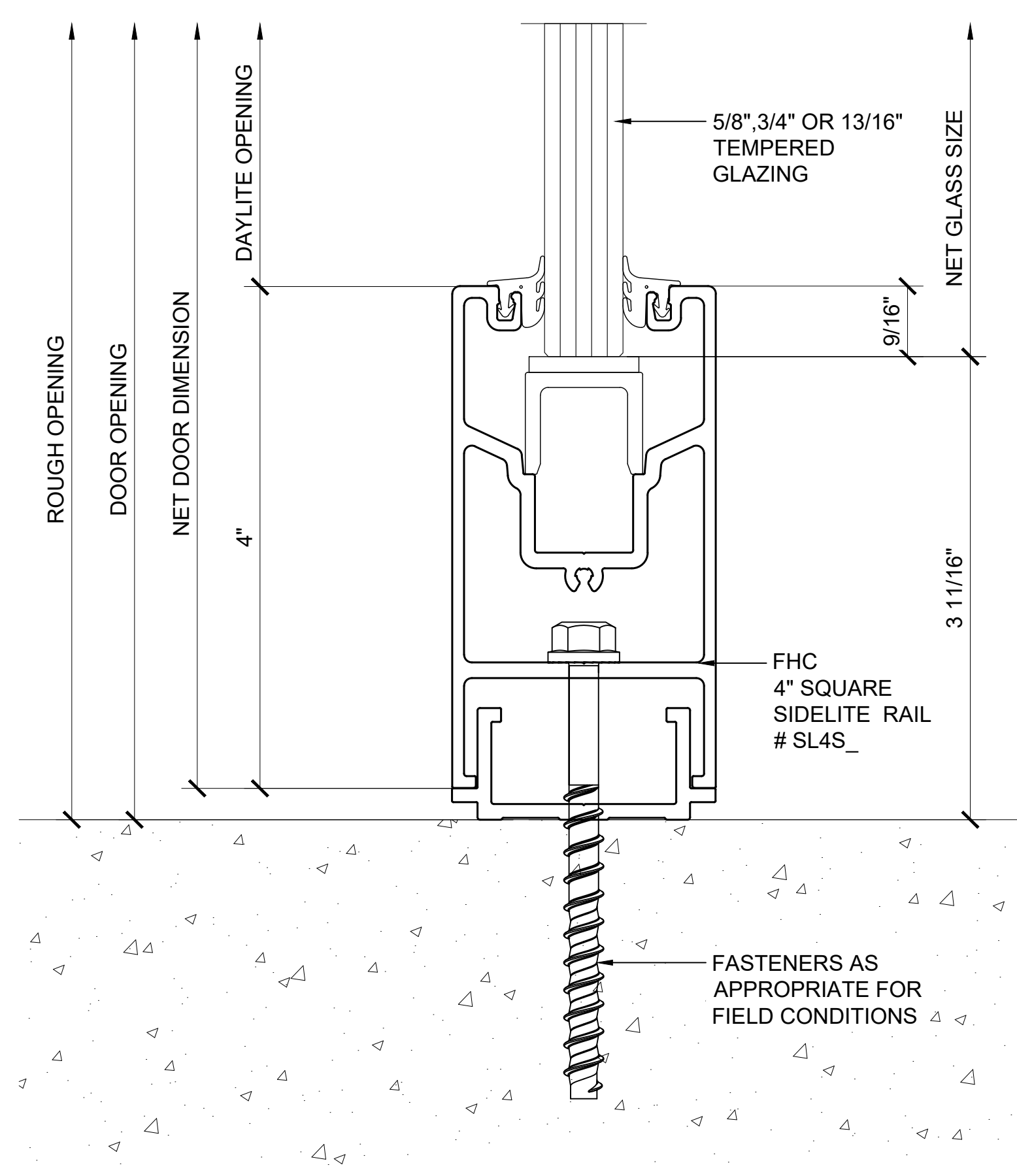
① HEAD DETAIL
ARCH REF: 1'-0"=1'-0"



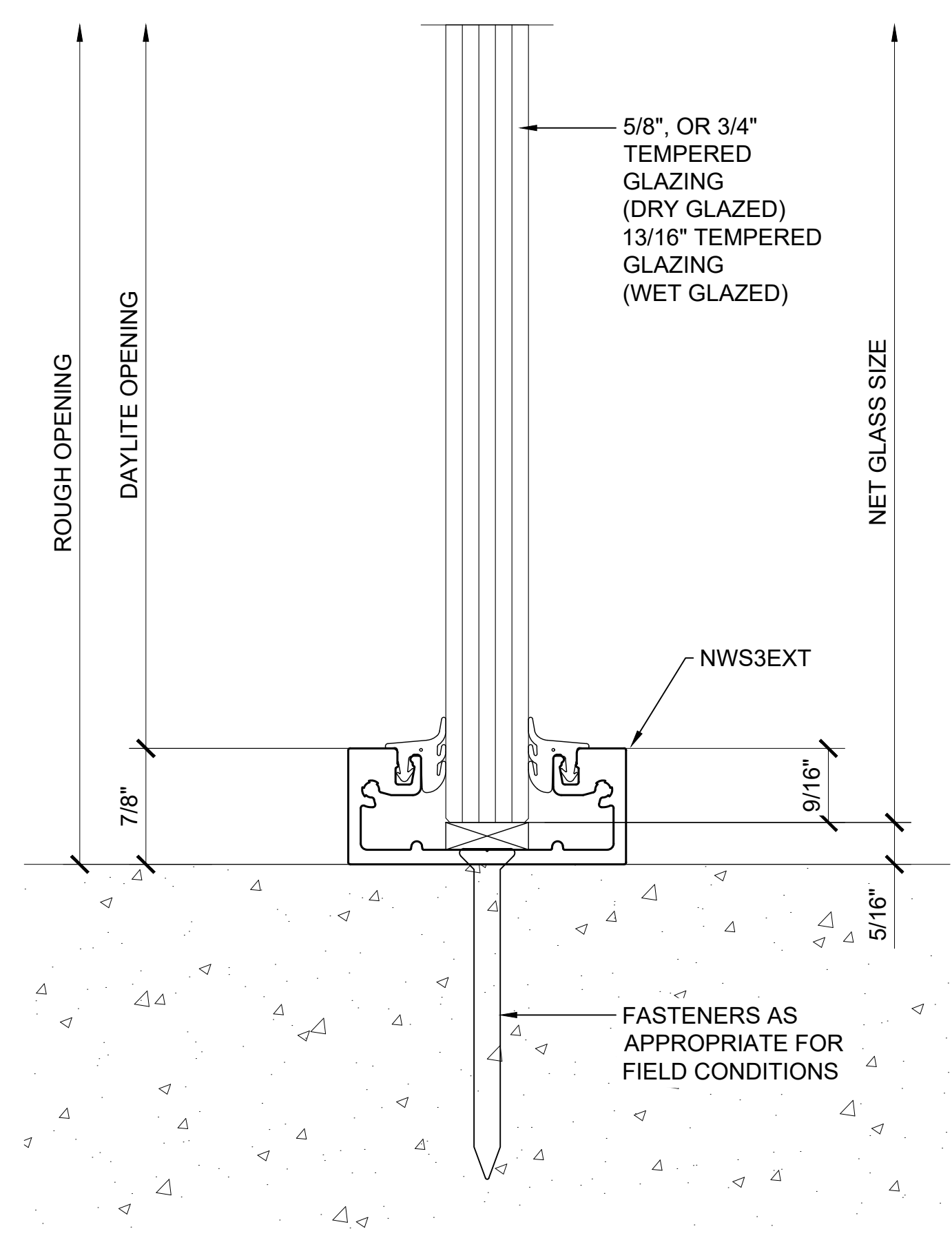
③ HEAD DETAIL
ARCH REF: 1'-0"=1'-0"



⑤ HEAD DETAIL
ARCH REF: 1'-0"=1'-0"



② SILL DETAIL
ARCH REF: 1'-0"=1'-0"



④ SILL DETAIL
ARCH REF: 1'-0"=1'-0"

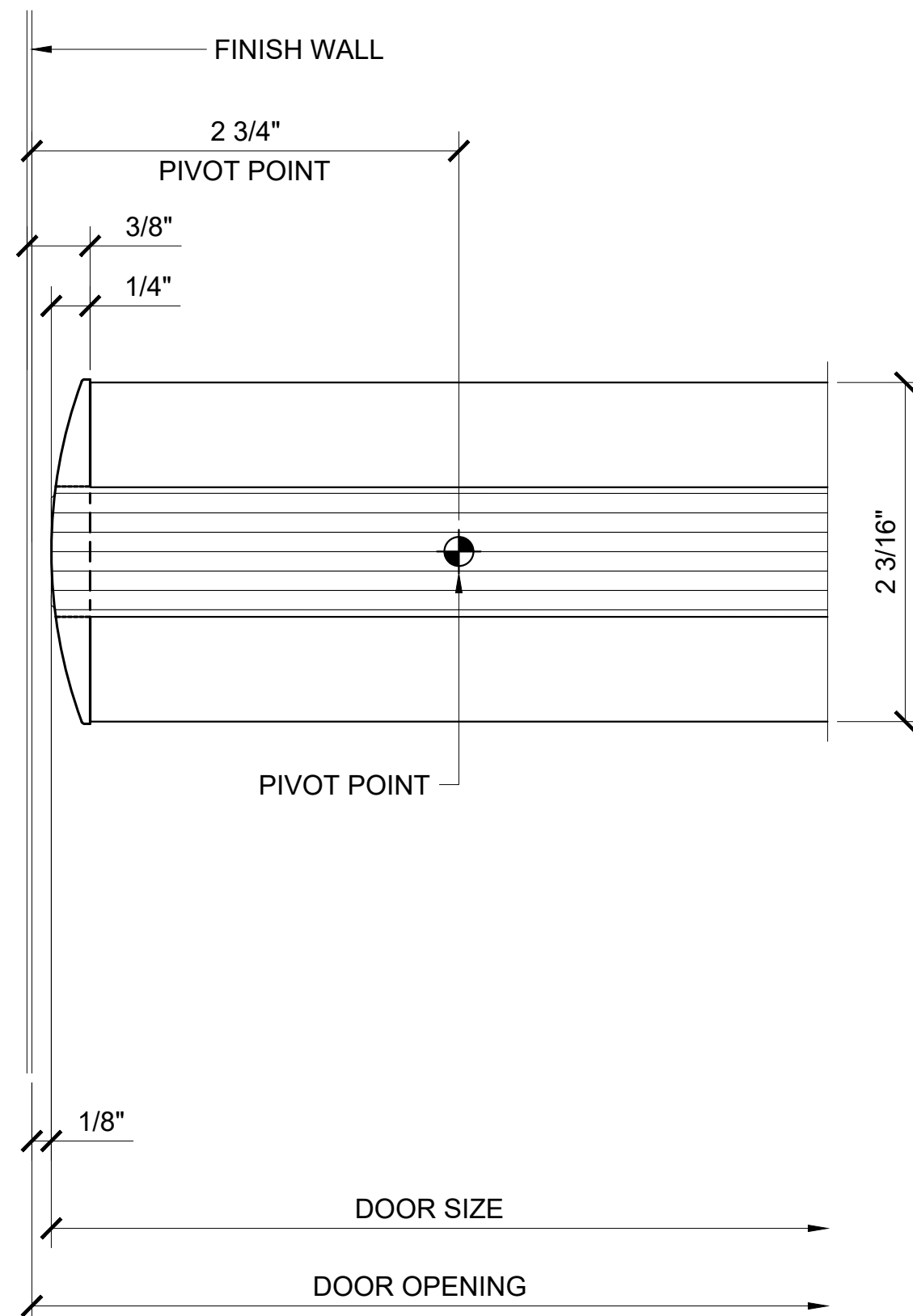
Architect: _____
Job Name: _____
Customer: _____
Phone: _____
Fax: _____
Contact: _____

Architect: _____
Job Name: _____
Customer: _____
Phone: _____
Fax: _____
Contact: _____

Architect: _____
Job Name: _____
Customer: _____
Phone: _____
Fax: _____
Contact: _____

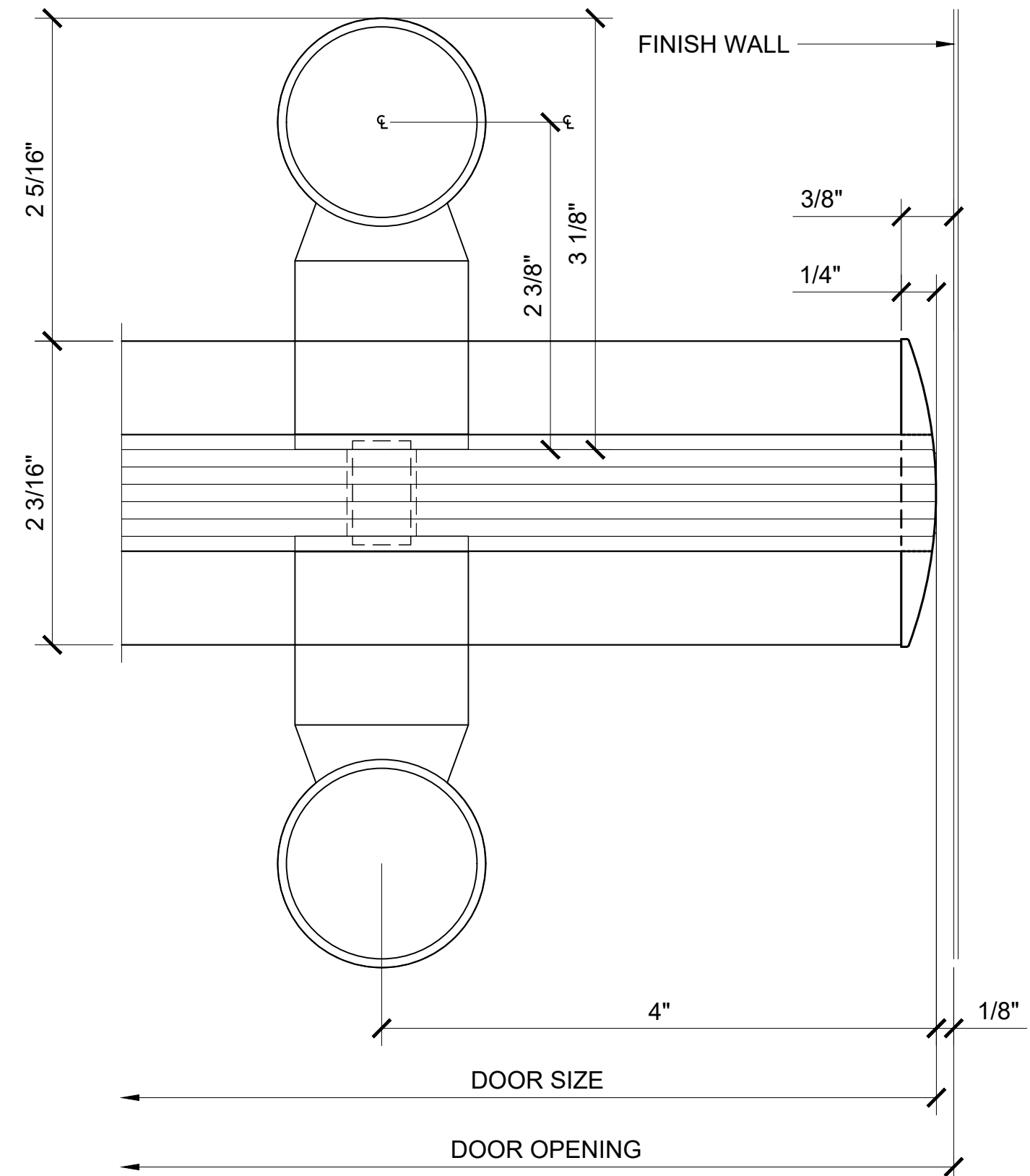
REV#	DATE	DRAWN BY
0	10/30/20	JPL
1		
2		
3		
4		
5		
6		

Drawn By: JPL
Checked By: PM
Date: 00/00/20
Scale: AS NOTED
Project #: 000000



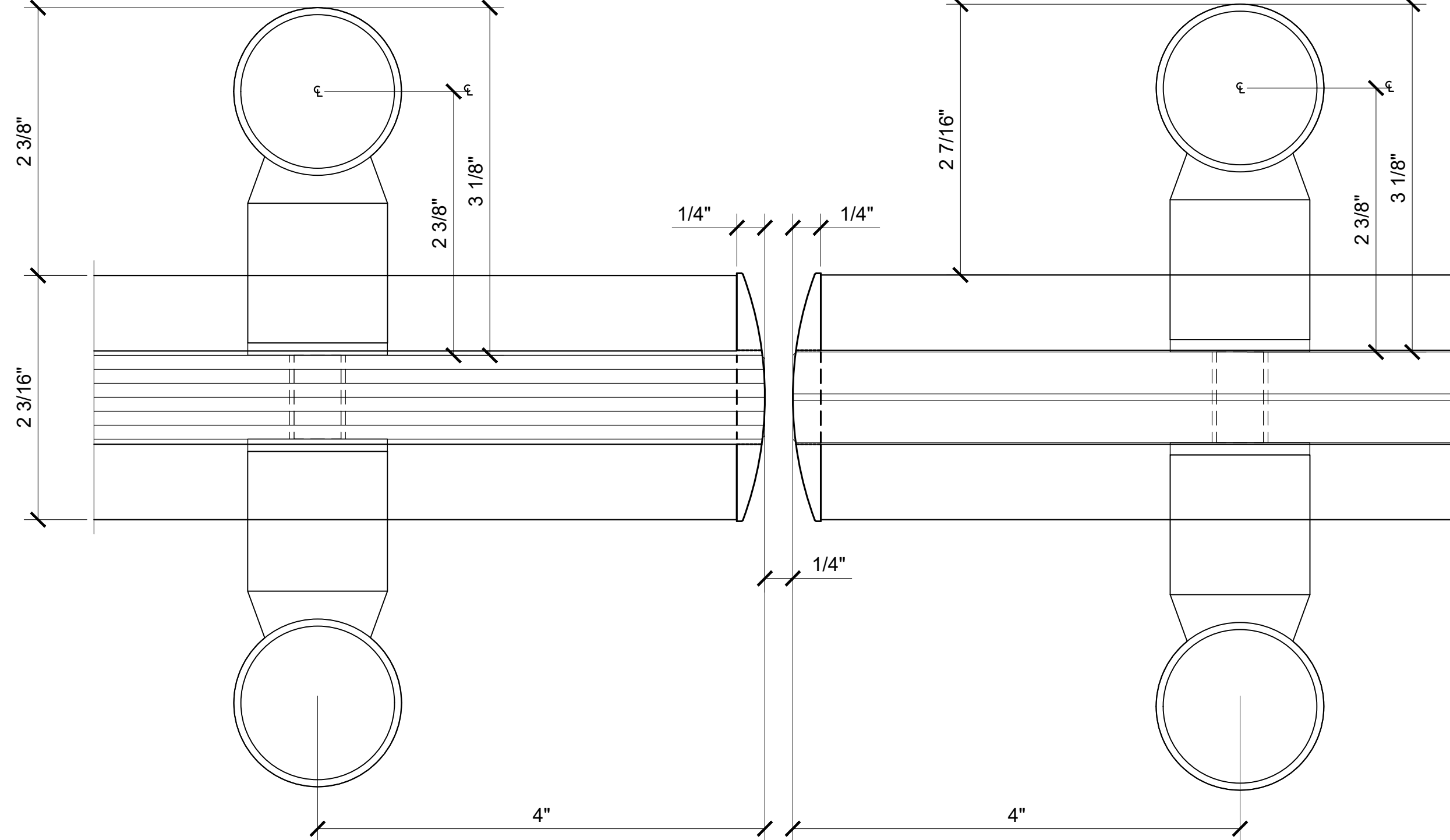
① JAMB DETAIL

ARCH REF: 1'-0"=1'-0"



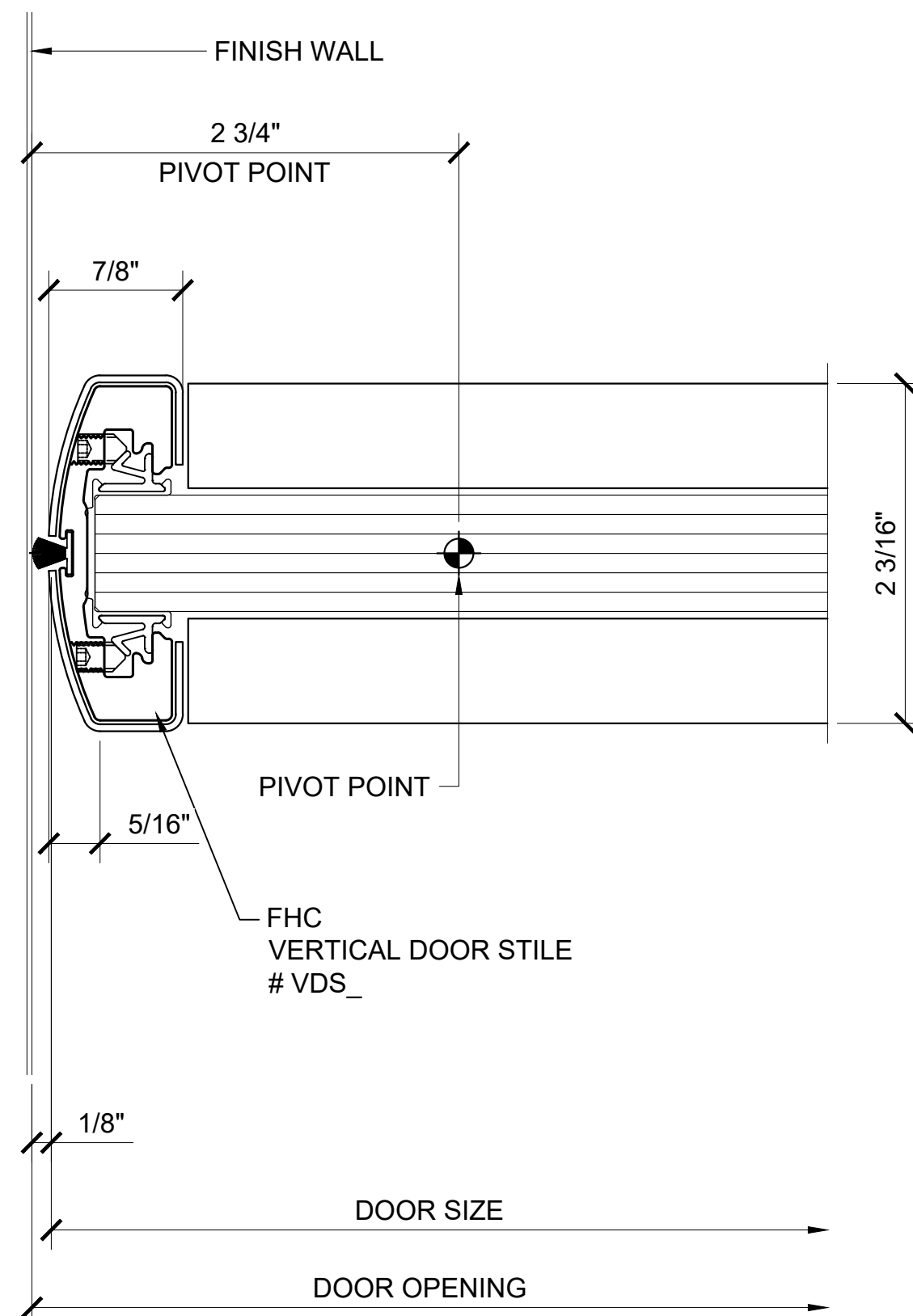
② JAMB DETAIL

ARCH REF: 1'-0"=1'-0"



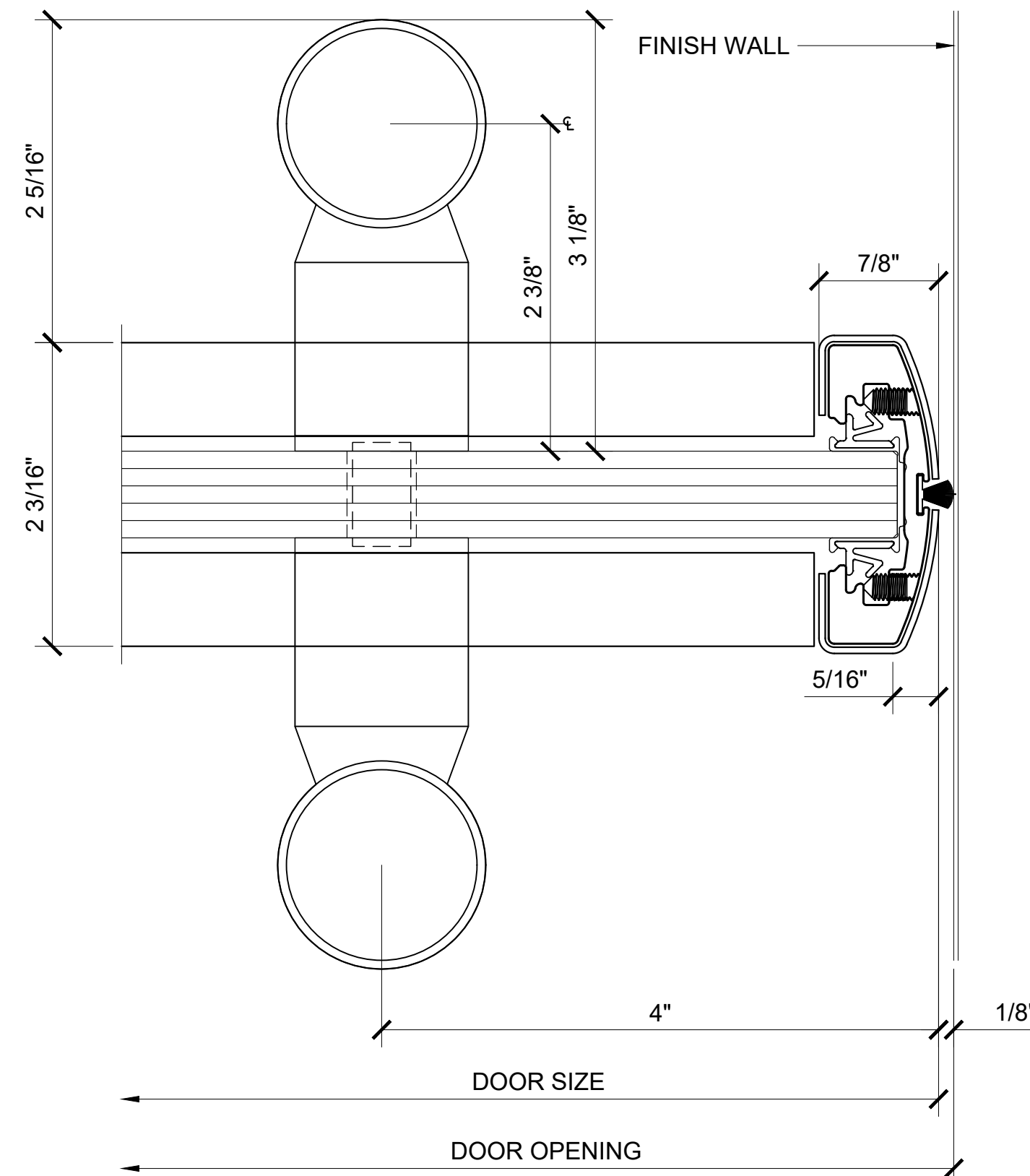
③ MEETING DETAIL

ARCH REF: 1'-0"=1'-0"



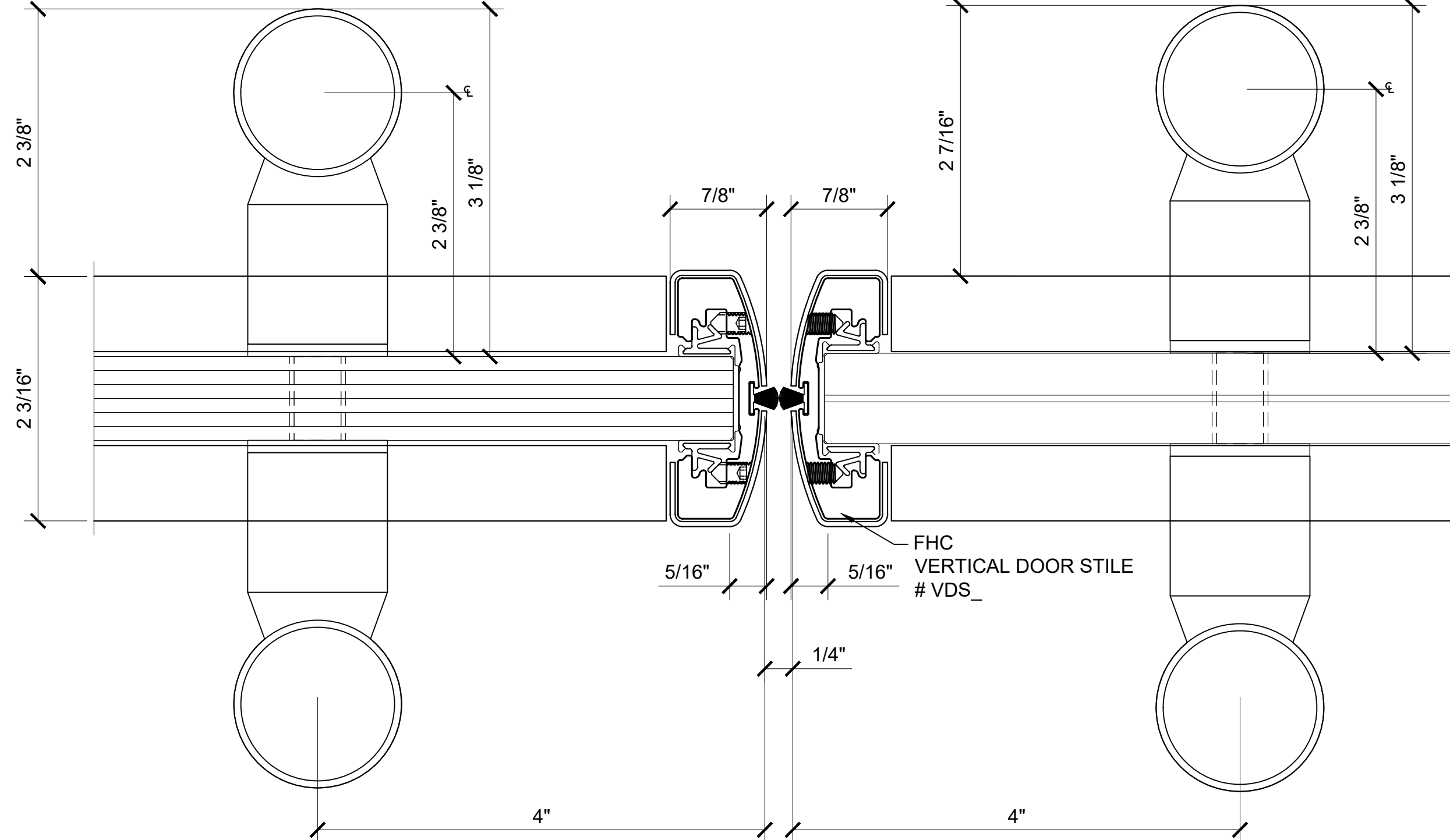
④ JAMB DETAIL

ARCH REF: 1'-0"=1'-0"



⑤ JAMB DETAIL

ARCH REF: 1'-0"=1'-0"



⑥ MEETING DETAIL

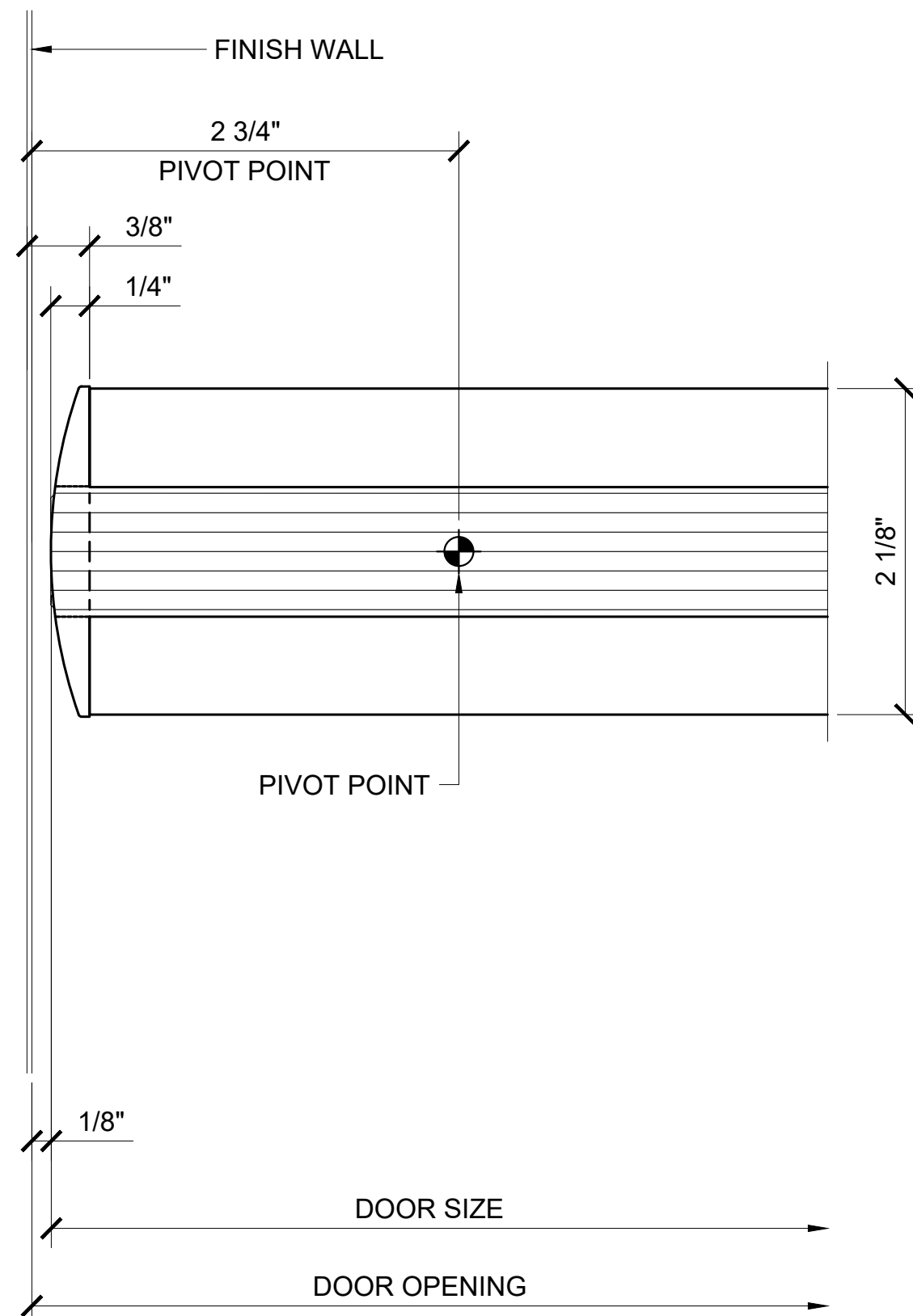
ARCH REF: 1'-0"=1'-0"

Architect: _____ Phone: _____
 Job Name: _____ Fax: _____
 Contact: _____

Customer: _____ Phone: _____
 Job Name: _____ Fax: _____
 Contact: _____

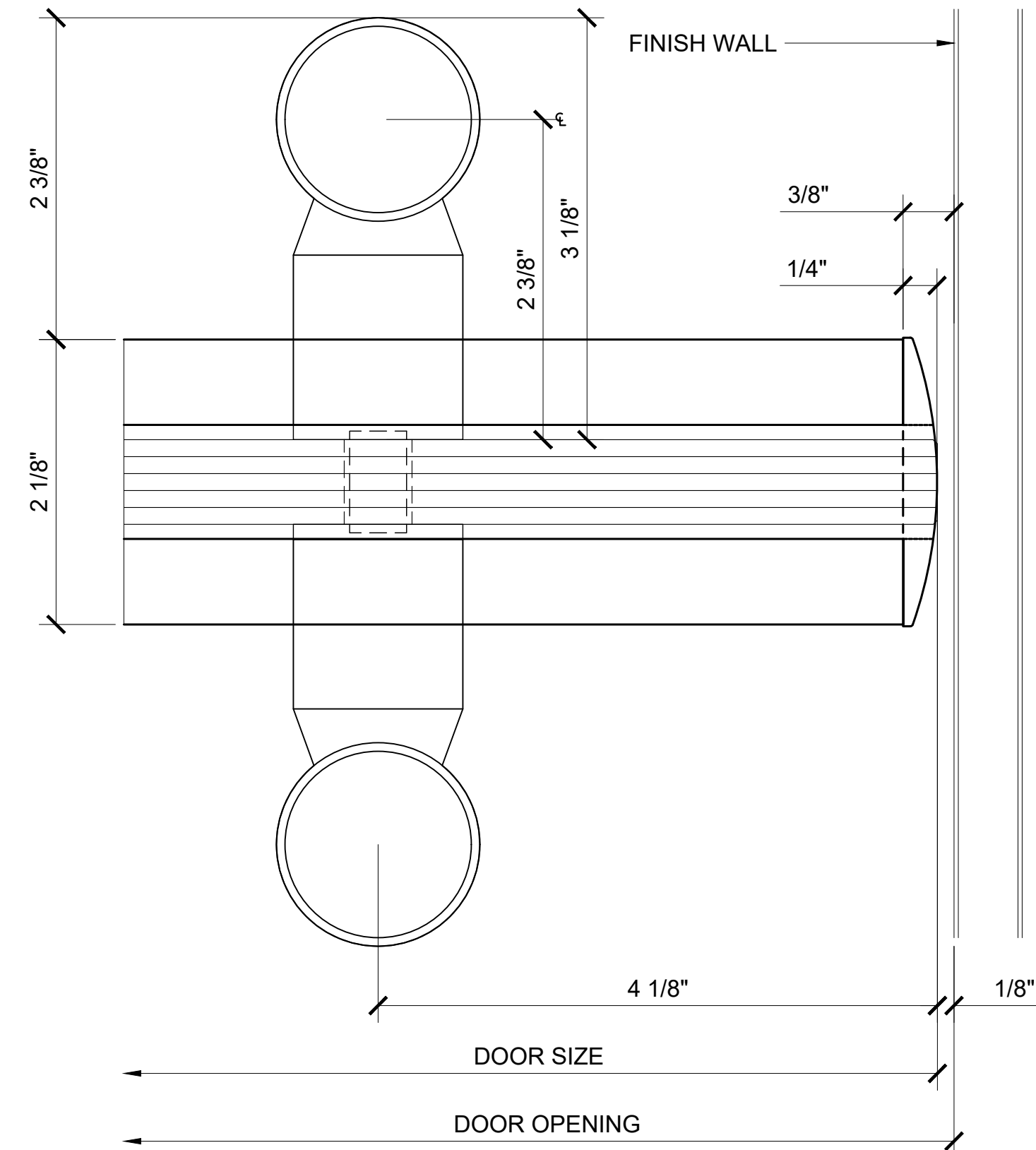
REV#	DATE	DRAWN BY
0	10/30/20	JPL
1		
2		
3		
4		
5		
6		

Drawn By: JPL
 Checked By: PM
 Date: 00/00/20
 Scale: AS NOTED
 Project #: 000000



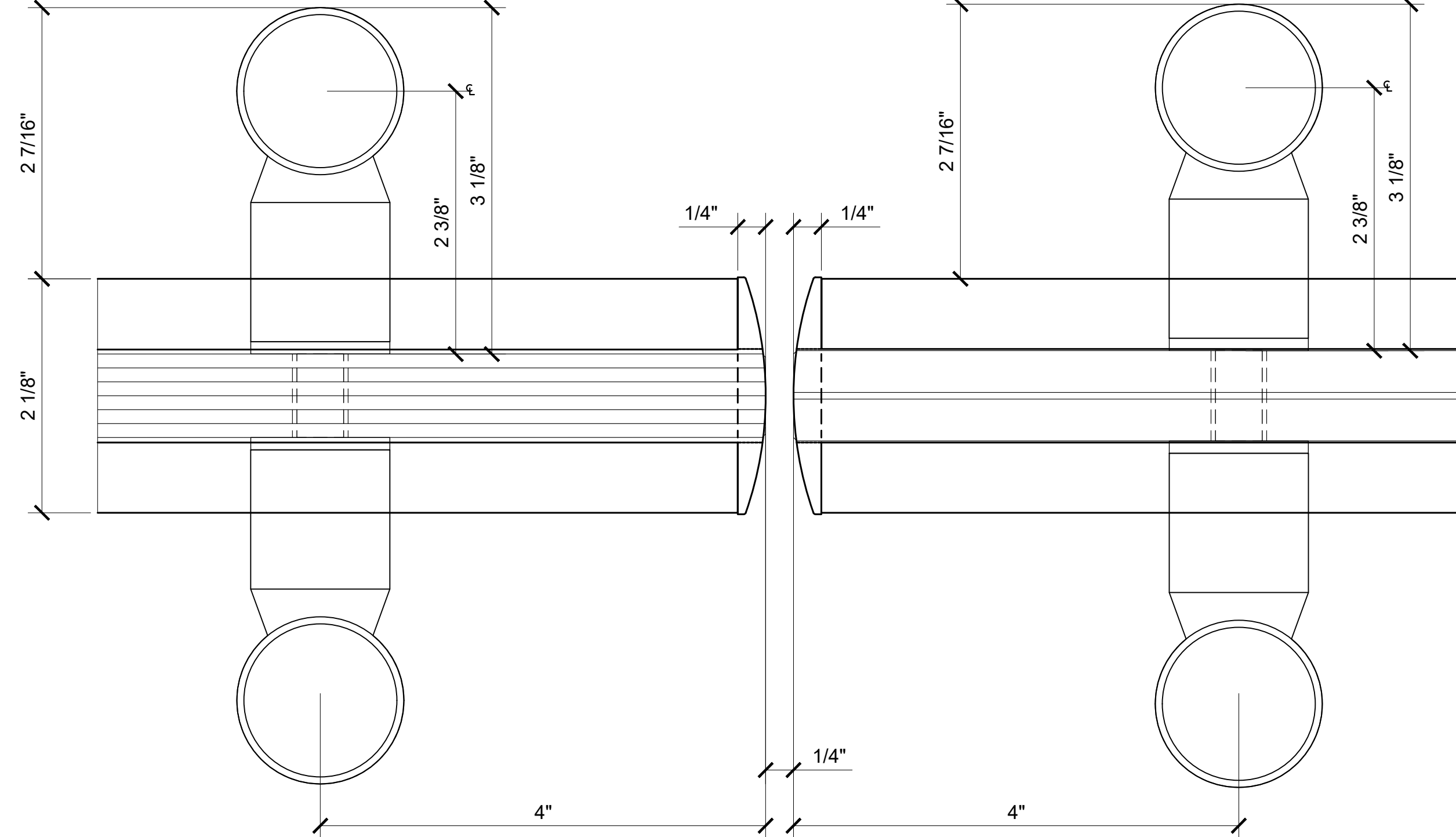
① JAMB DETAIL

ARCH REF: 1'-0"=1'-0"



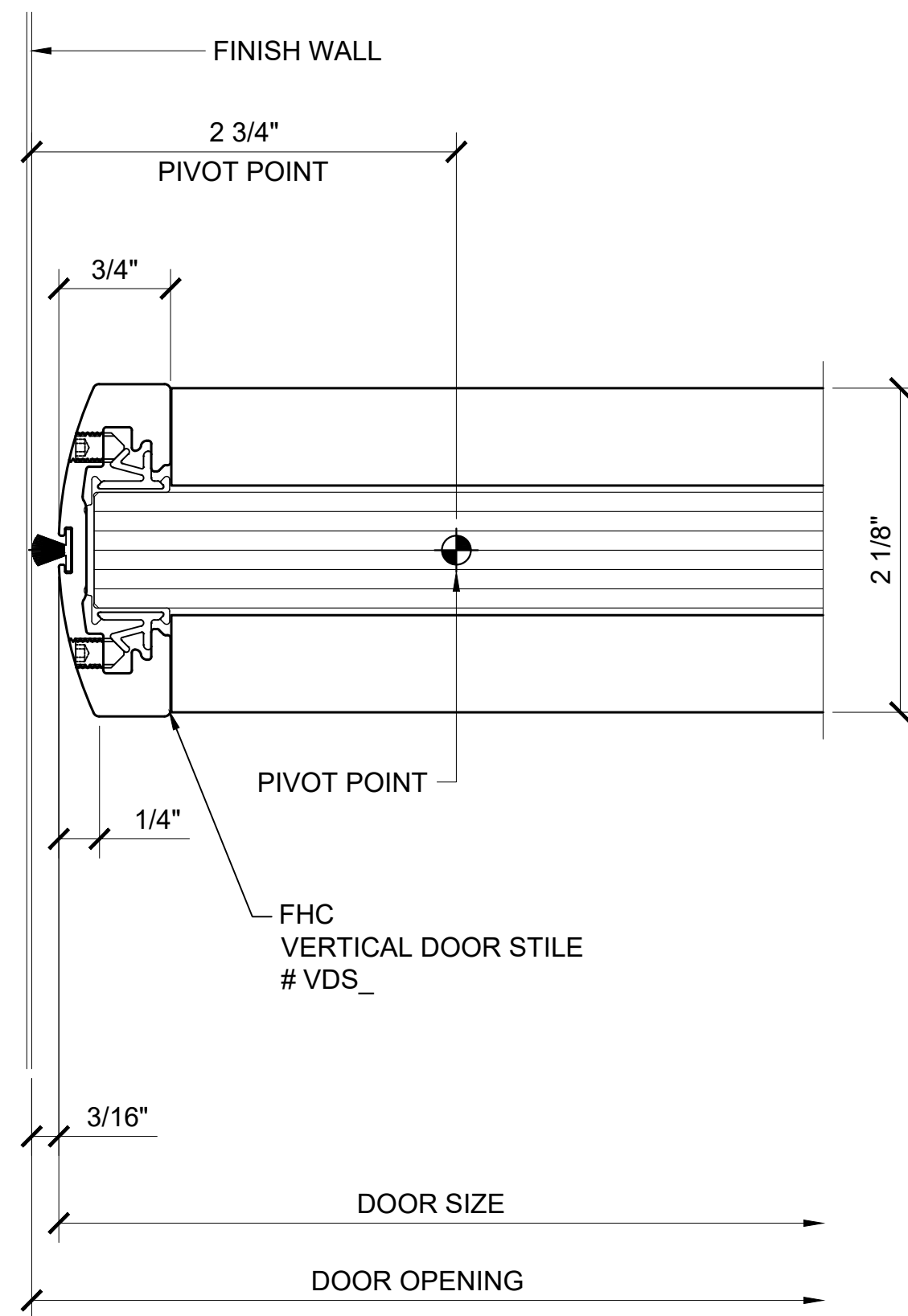
② JAMB DETAIL

ARCH REF: 1'-0"=1'-0"



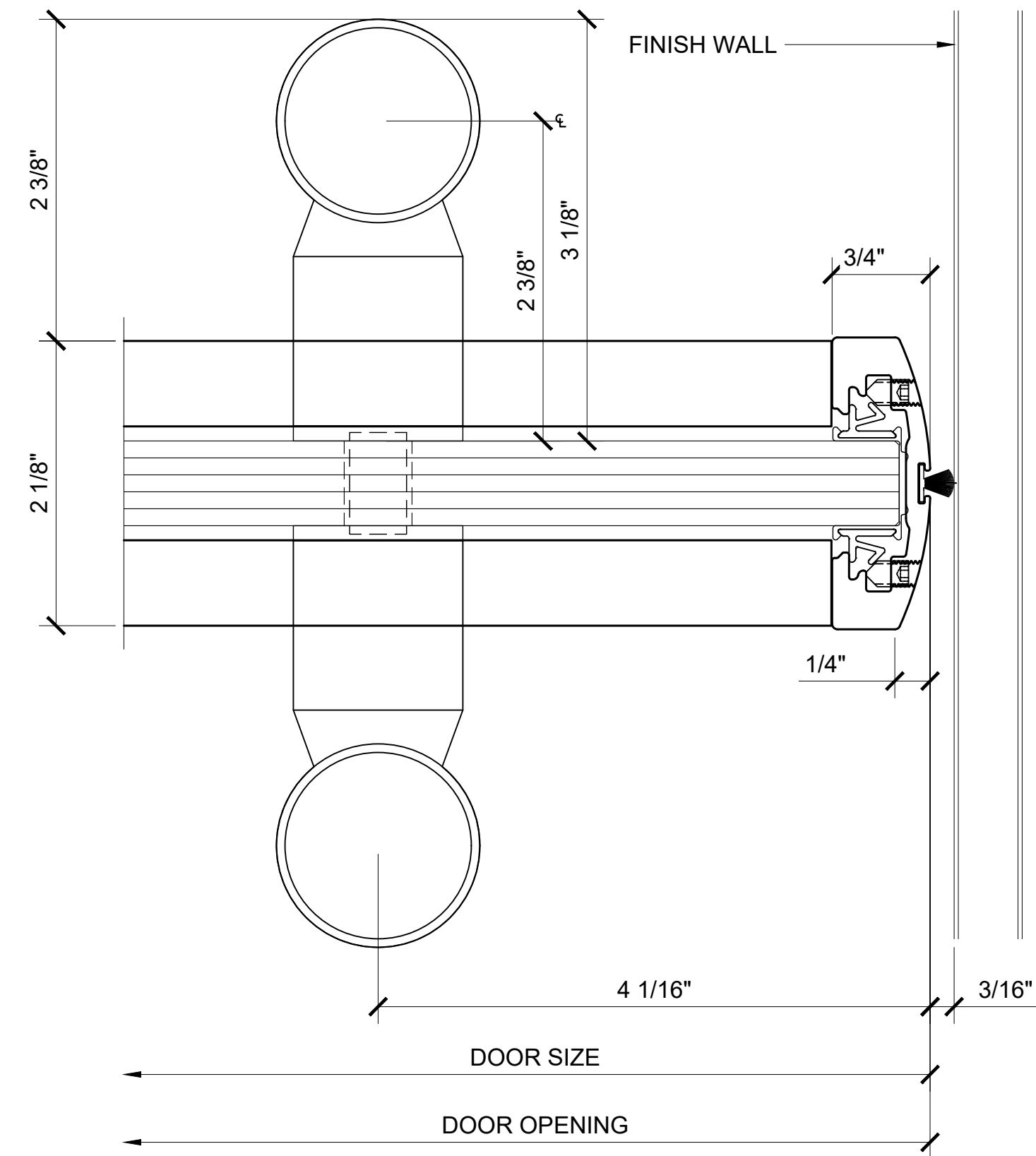
③ MEETING DETAIL

ARCH REF: 1'-0"=1'-0"



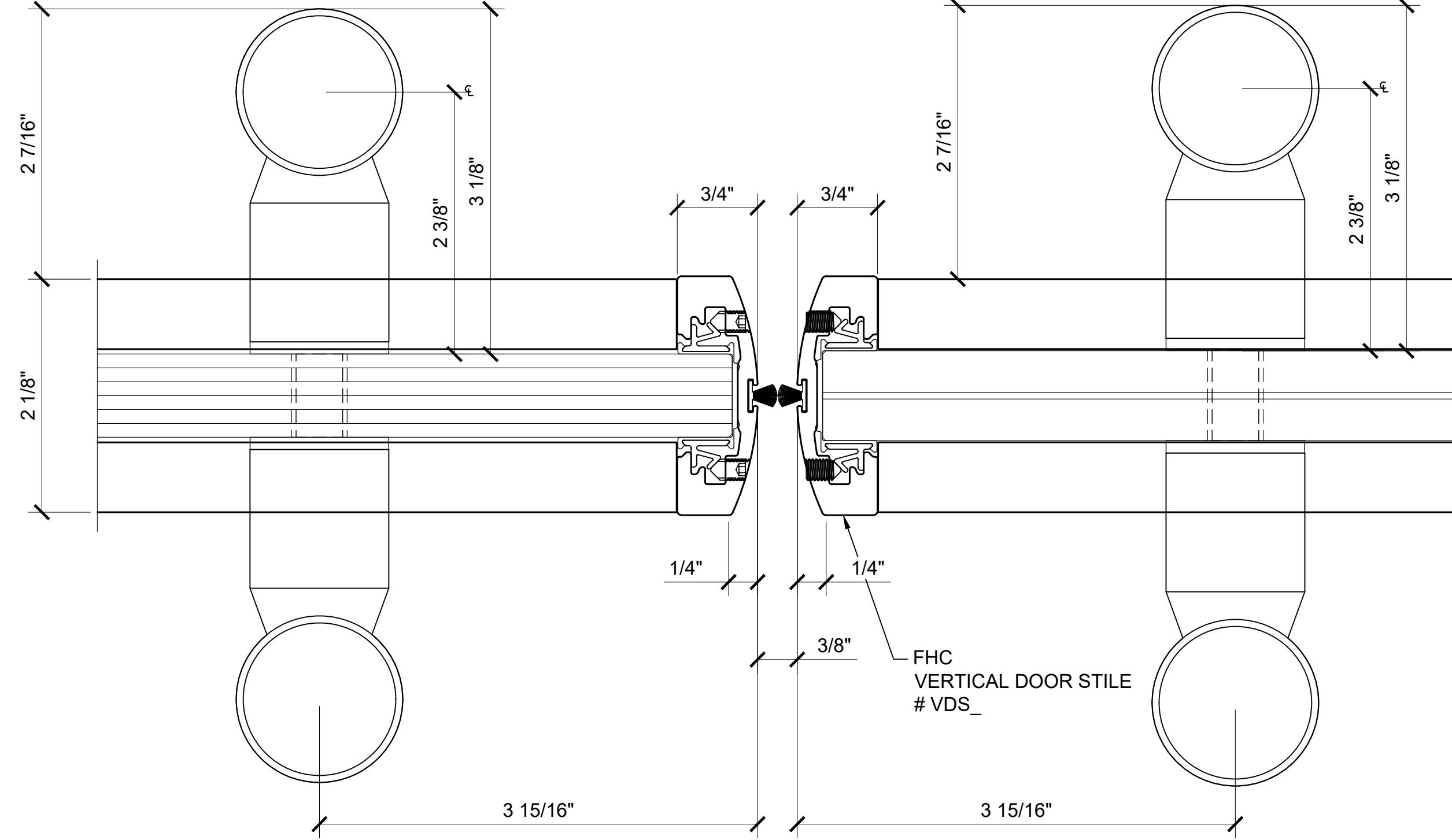
④ JAMB DETAIL

ARCH REF: 1'-0"=1'-0"



⑤ JAMB DETAIL

ARCH REF: 1'-0"=1'-0"



⑥ MEETING DETAIL

ARCH REF: 1'-0"=1'-0"

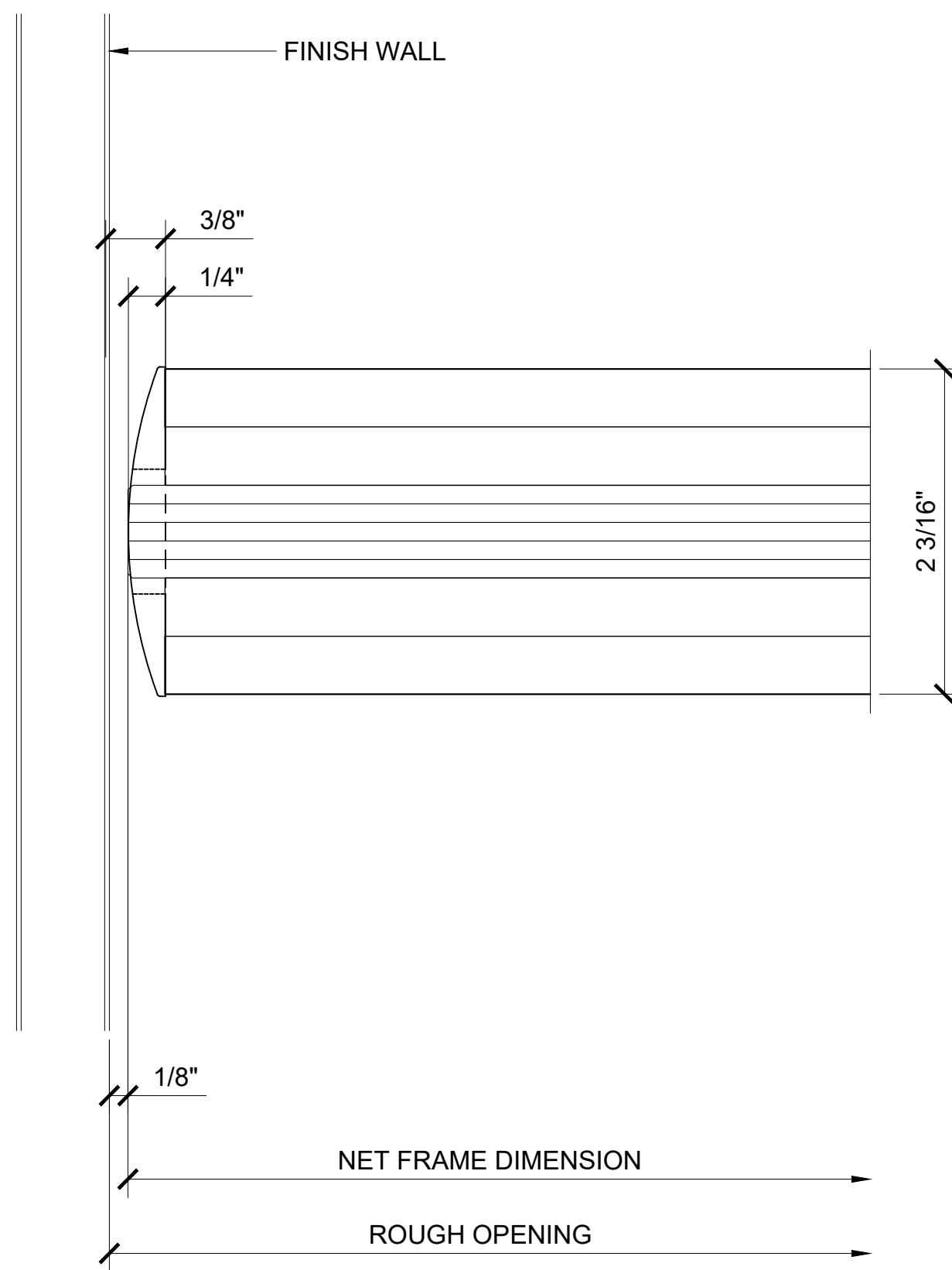
Architect: _____ Phone: _____
 Fax: _____ Contact: _____

Job Name: _____ Phone: _____
 Fax: _____ Contact: _____

Customer: _____ Phone: _____
 Fax: _____ Contact: _____

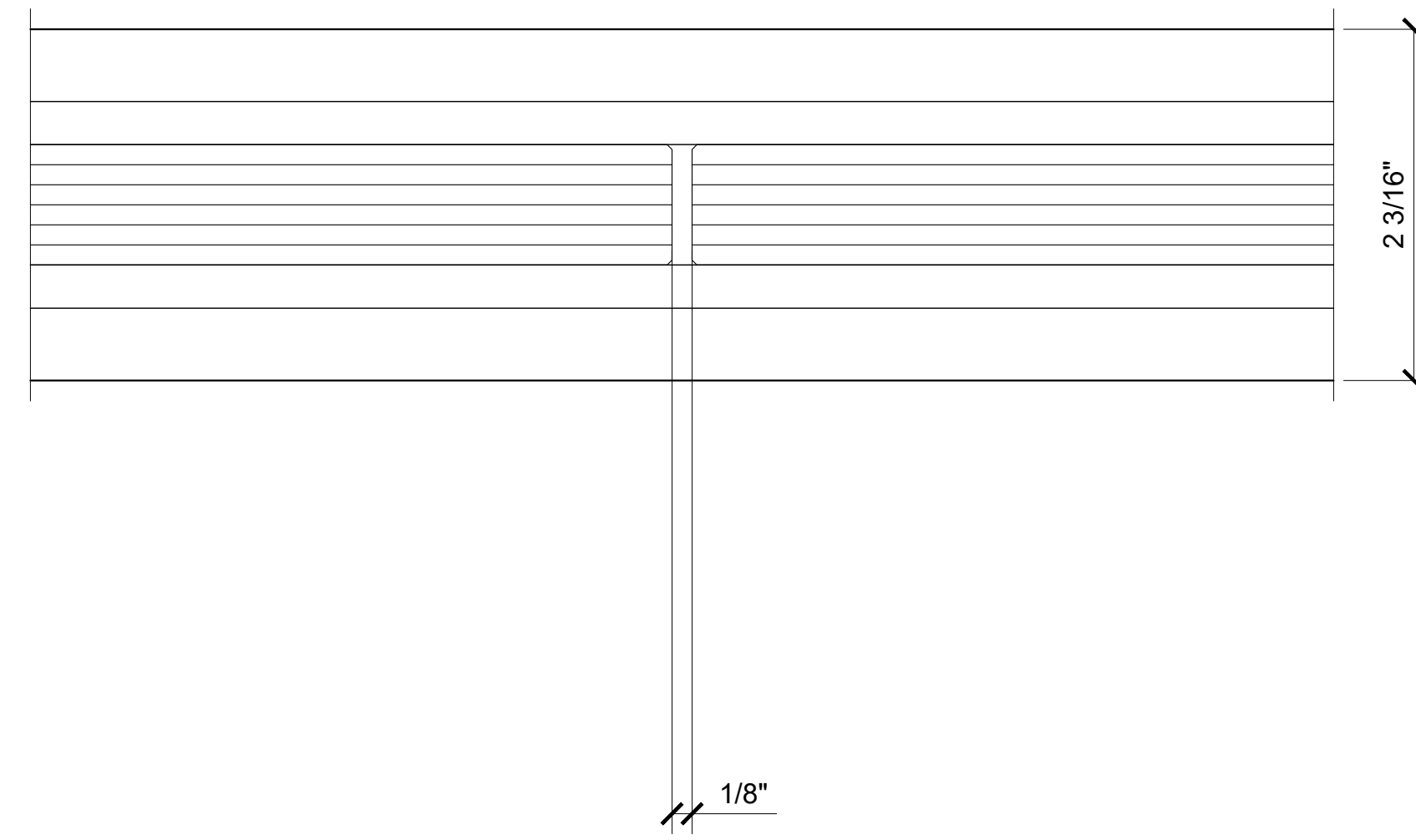
REV#	DATE	DRAWN BY
0	10/30/20	JPL
1		
2		
3		
4		
5		
6		

Drawn By: JPL
 Checked By: PM
 Date: 00/00/20
 Scale: AS NOTED
 Project #: 000000



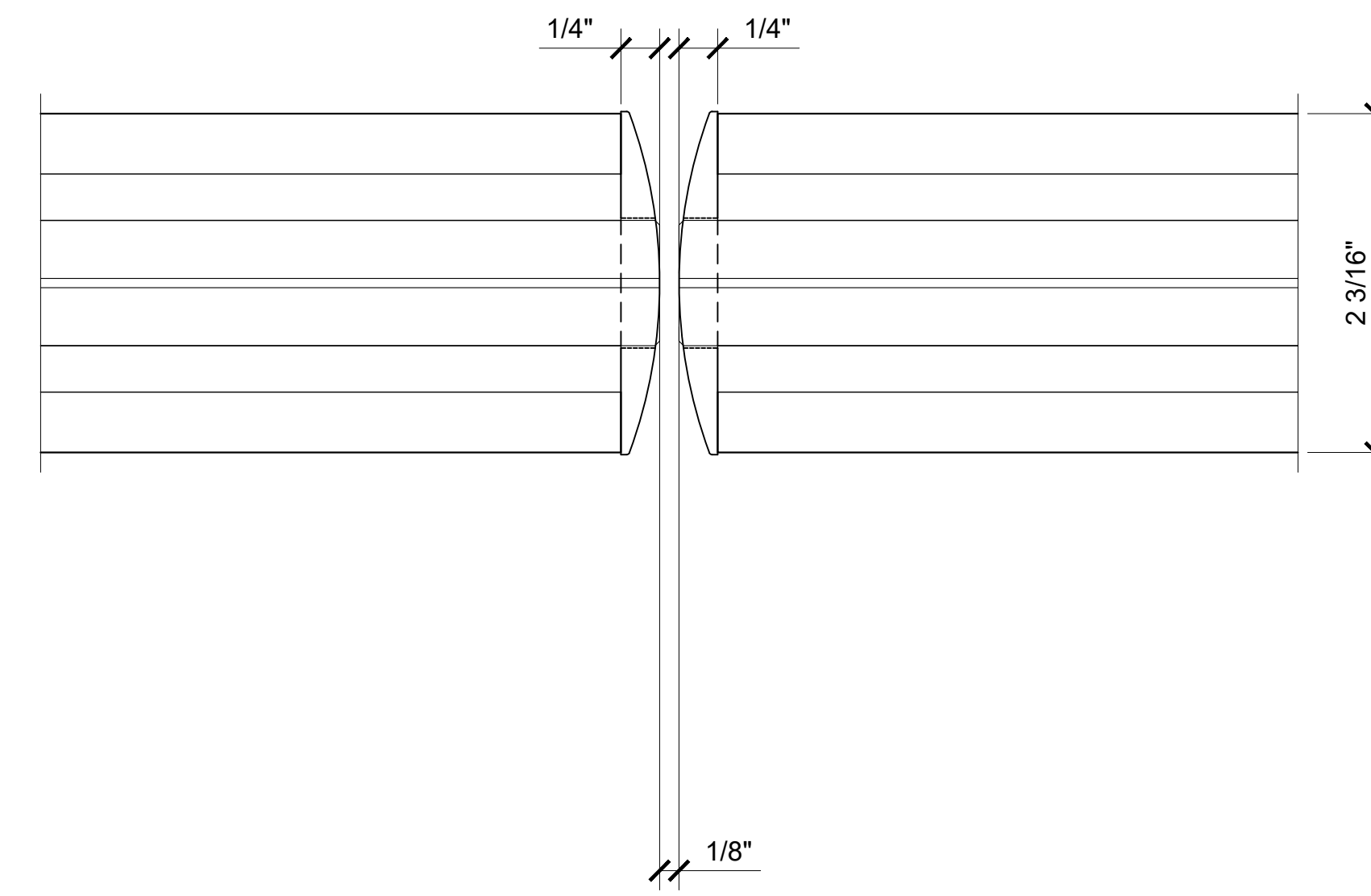
① JAMB DETAIL

ARCH REF: 1'-0"=1'-0"



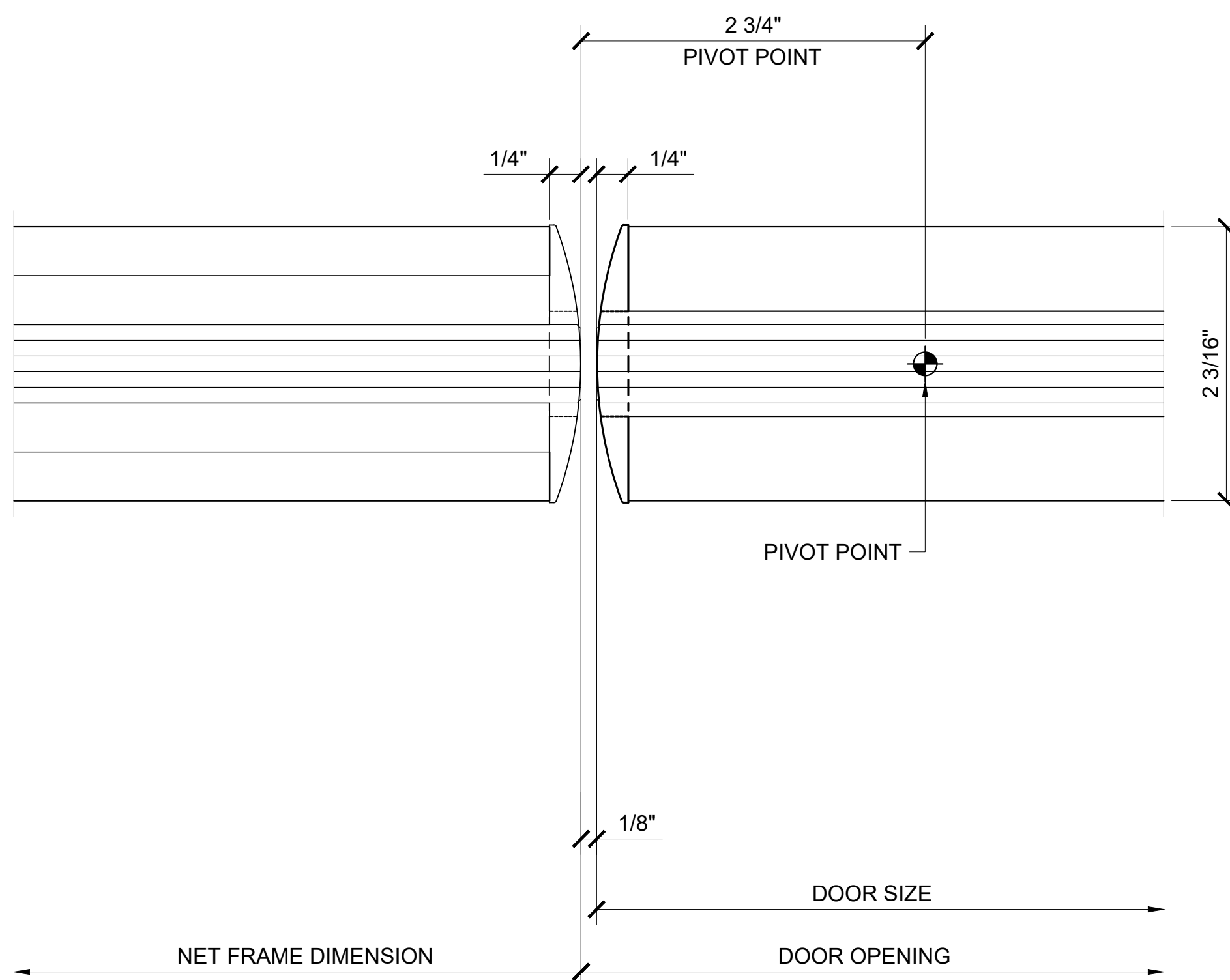
② BUTT JOINT DETAIL

ARCH REF: 1'-0"=1'-0"



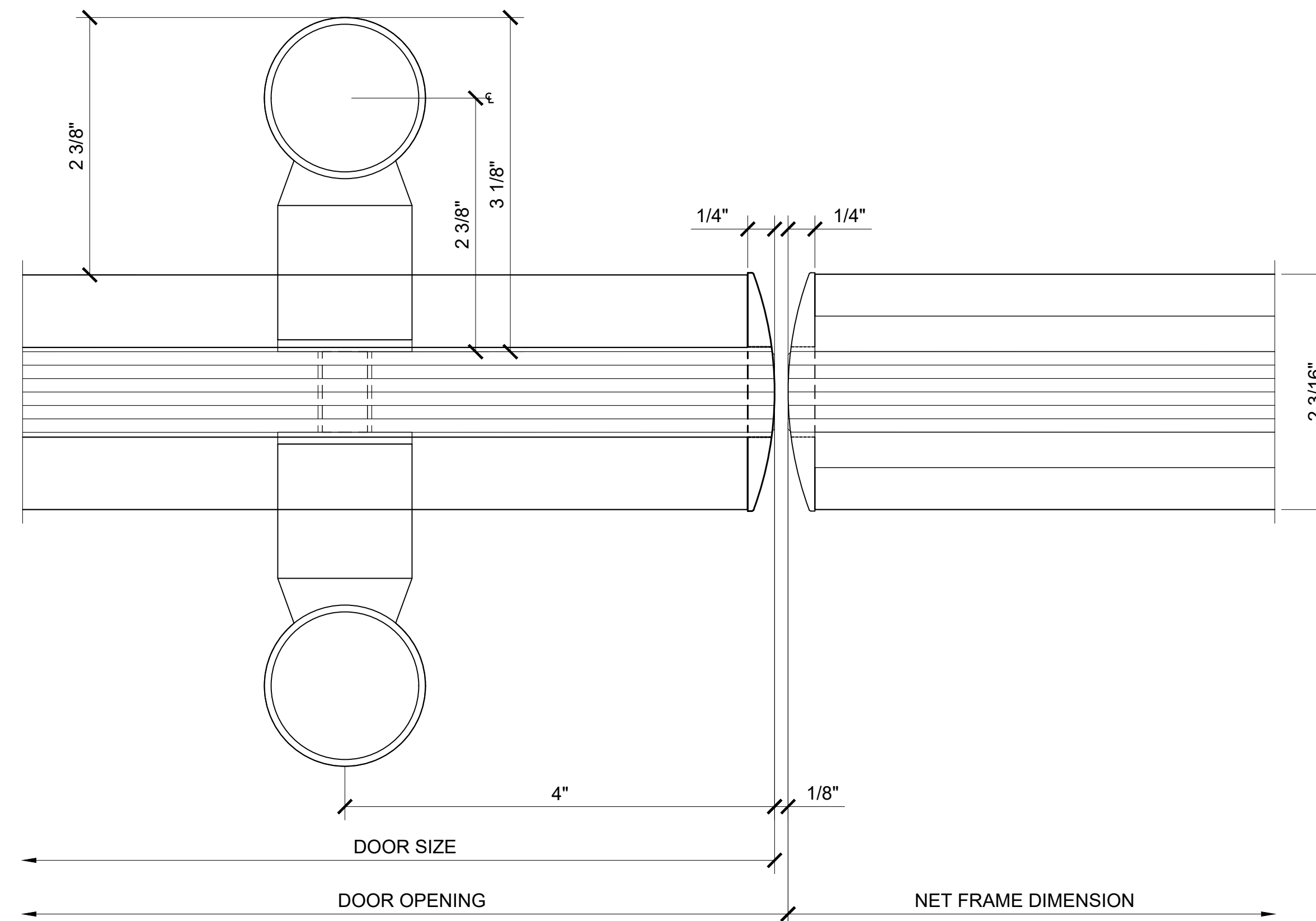
③ MEETING DETAIL

ARCH REF: 1'-0"=1'-0"



④ JAMB DETAIL

ARCH REF: 1'-0"=1'-0"



⑤ JAMB DETAIL

ARCH REF: 1'-0"=1'-0"

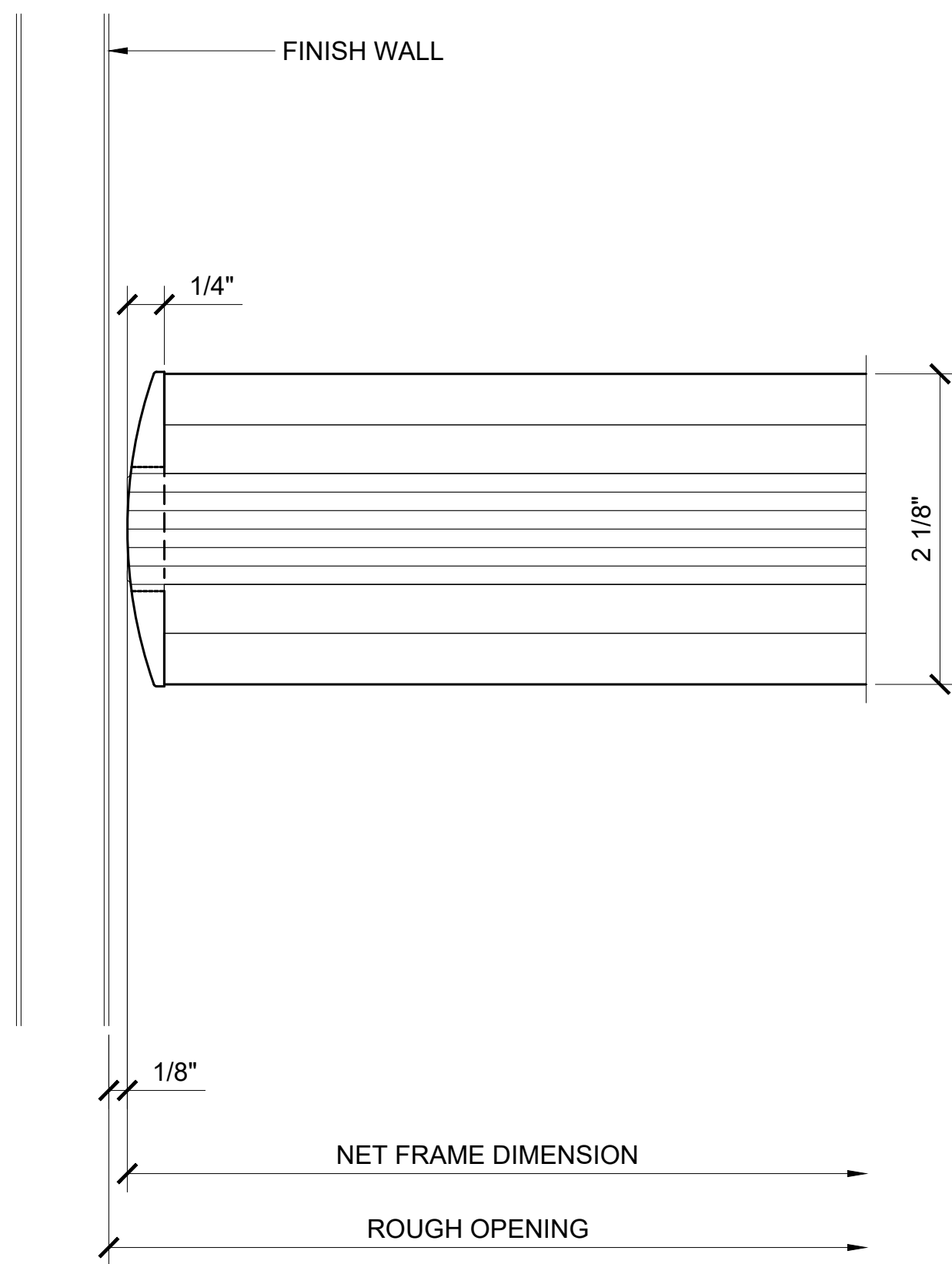
Architect: _____
 Job Name: _____
 Customer: _____
 Phone: _____
 Fax: _____
 Contact: _____

Architect: _____
 Job Name: _____
 Customer: _____
 Phone: _____
 Fax: _____
 Contact: _____

Architect: _____
 Job Name: _____
 Customer: _____
 Phone: _____
 Fax: _____
 Contact: _____

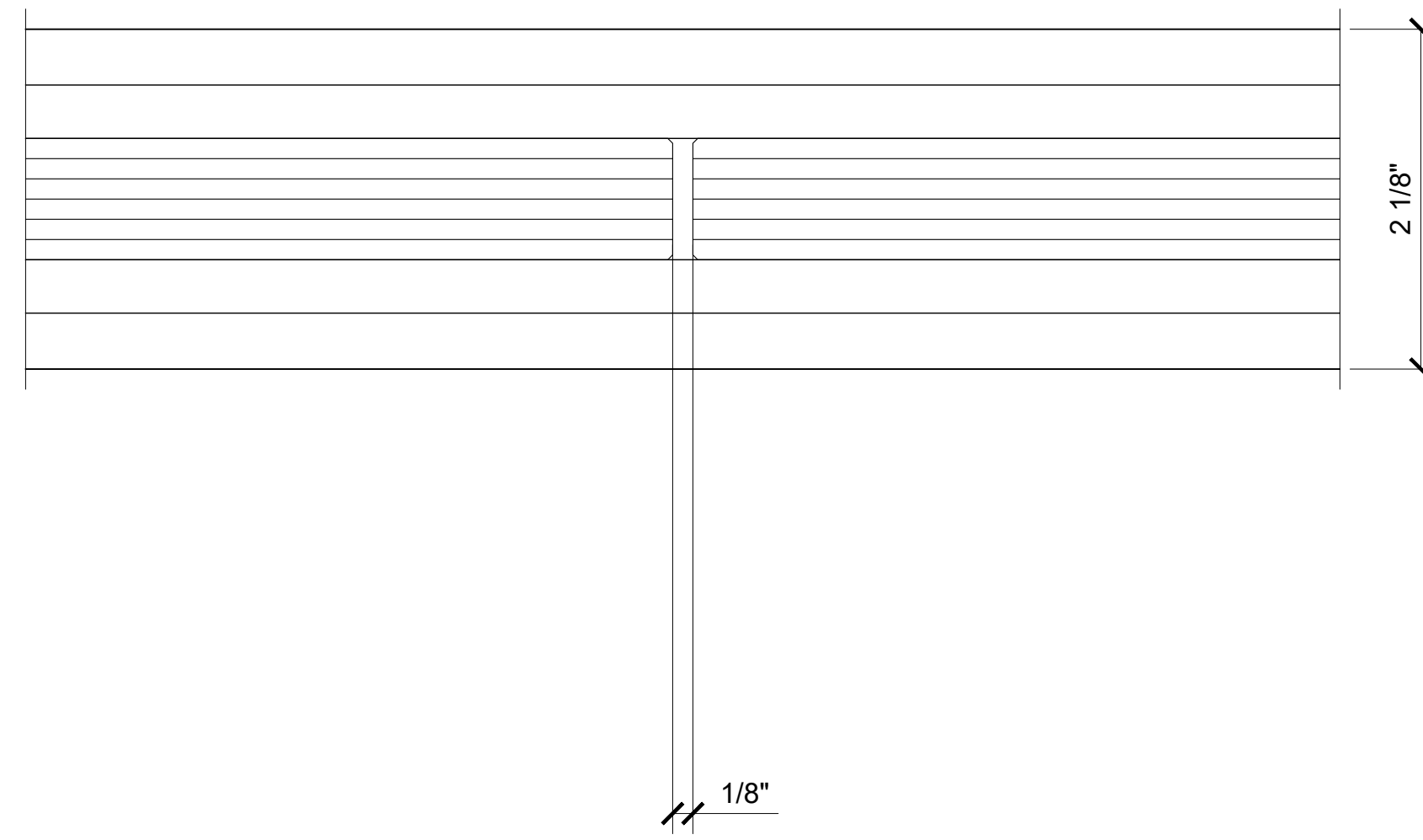
REV#	DATE	DRAWN BY
0	10/30/20	JPL
1		
2		
3		
4		
5		
6		

Drawn By: JPL
 Checked By: PM
 Date: 00/00/20
 Scale: AS NOTED
 Project #: 000000



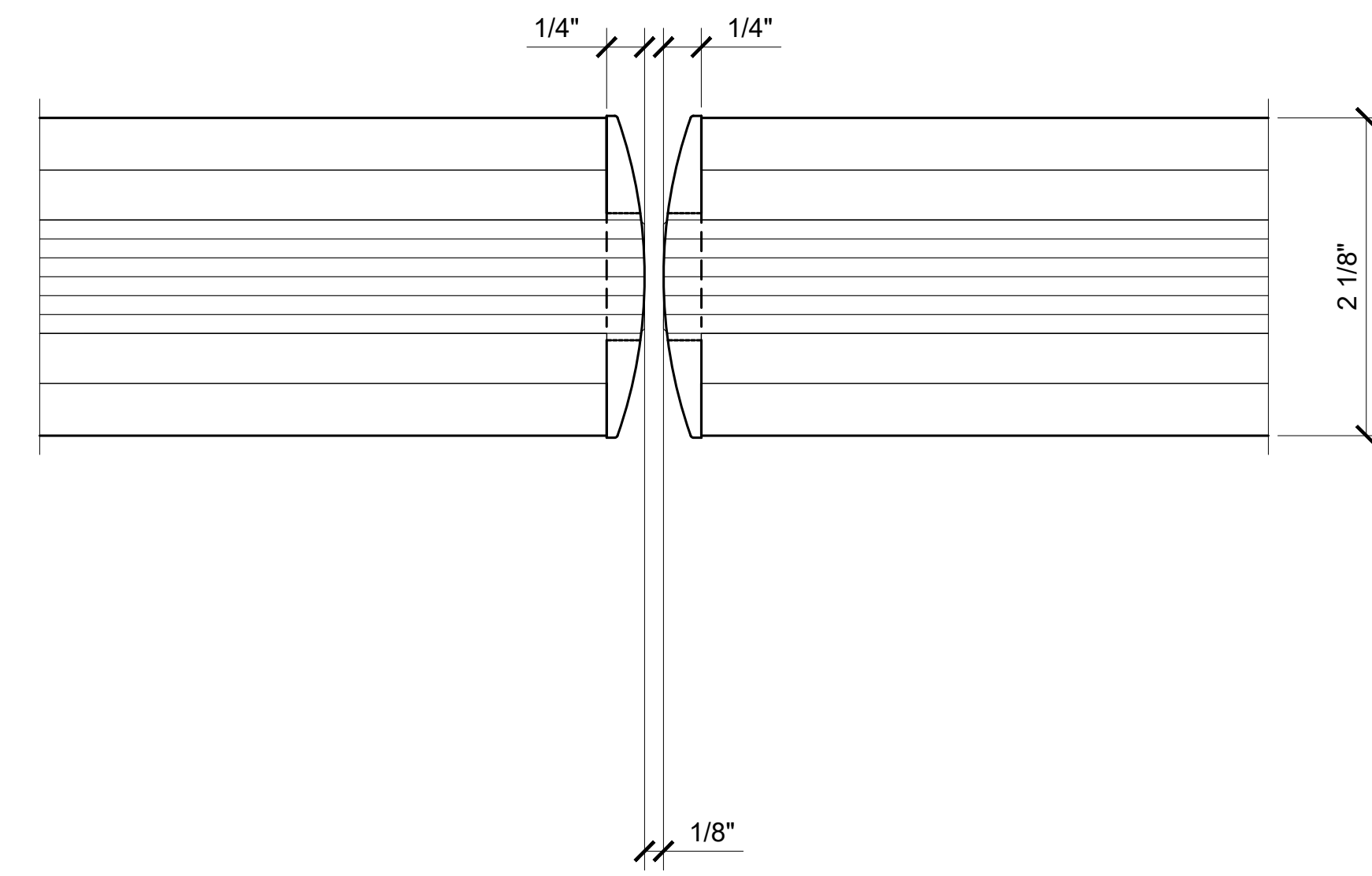
① JAMB DETAIL

ARCH REF: 1'-0"=1'-0"



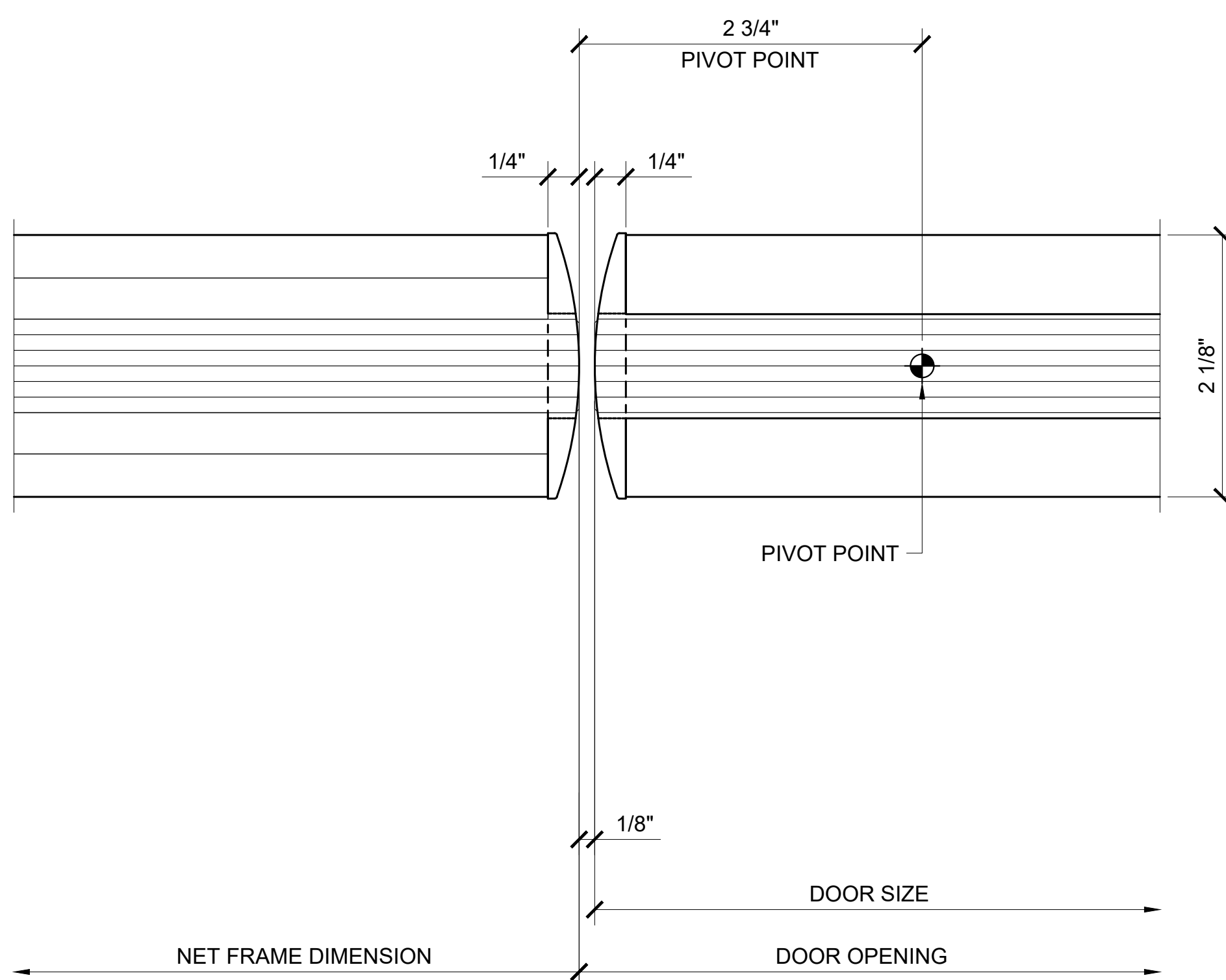
② BUTT JOINT DETAIL

ARCH REF: 1'-0"=1'-0"



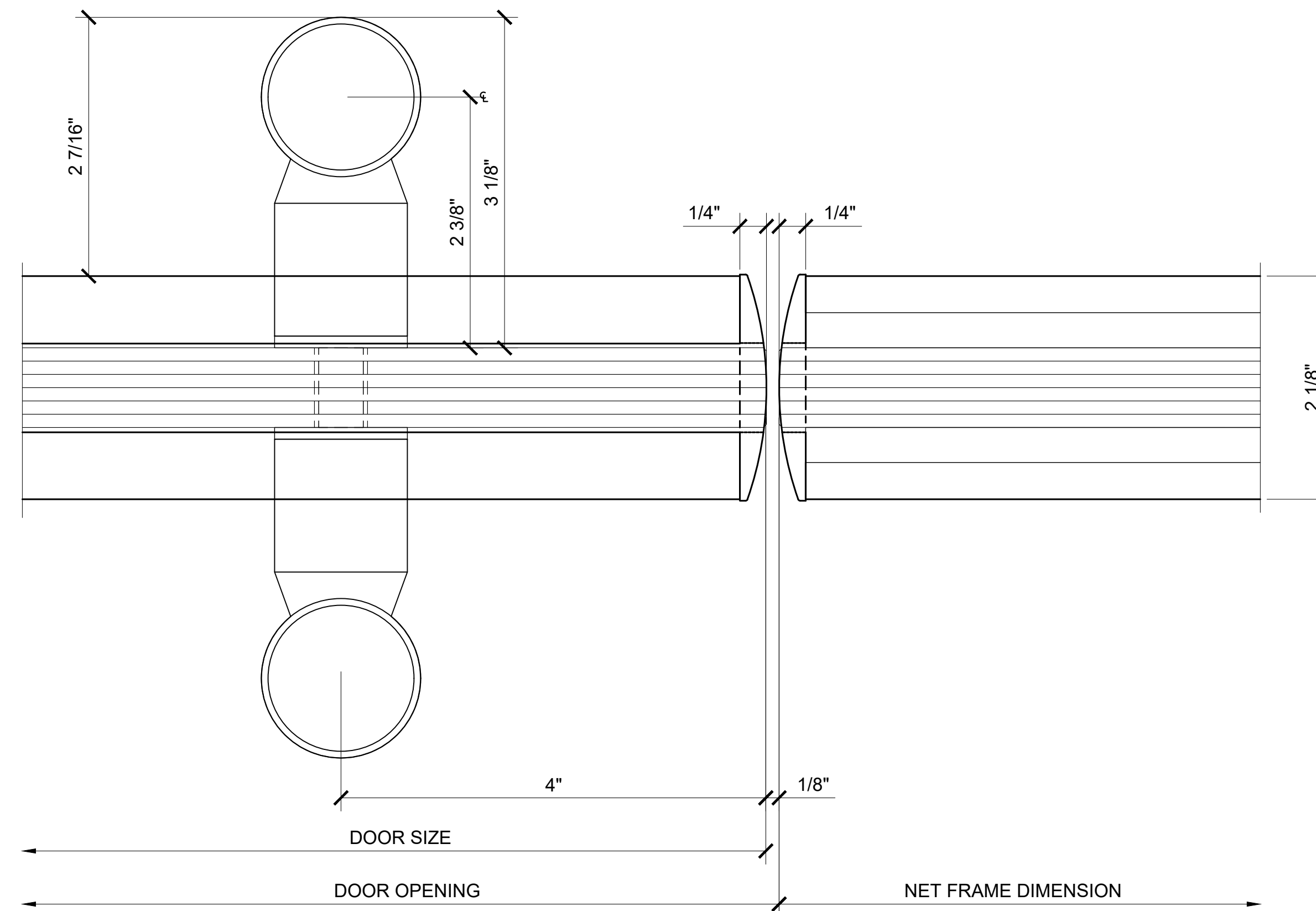
③ MEETING DETAIL

ARCH REF: 1'-0"=1'-0"



④ JAMB DETAIL

ARCH REF: 1'-0"=1'-0"



⑤ JAMB DETAIL

ARCH REF: 1'-0"=1'-0"

Architect:

Phone:
 Fax:
 Contact:

Job Name:

Phone:
 Fax:
 Contact:

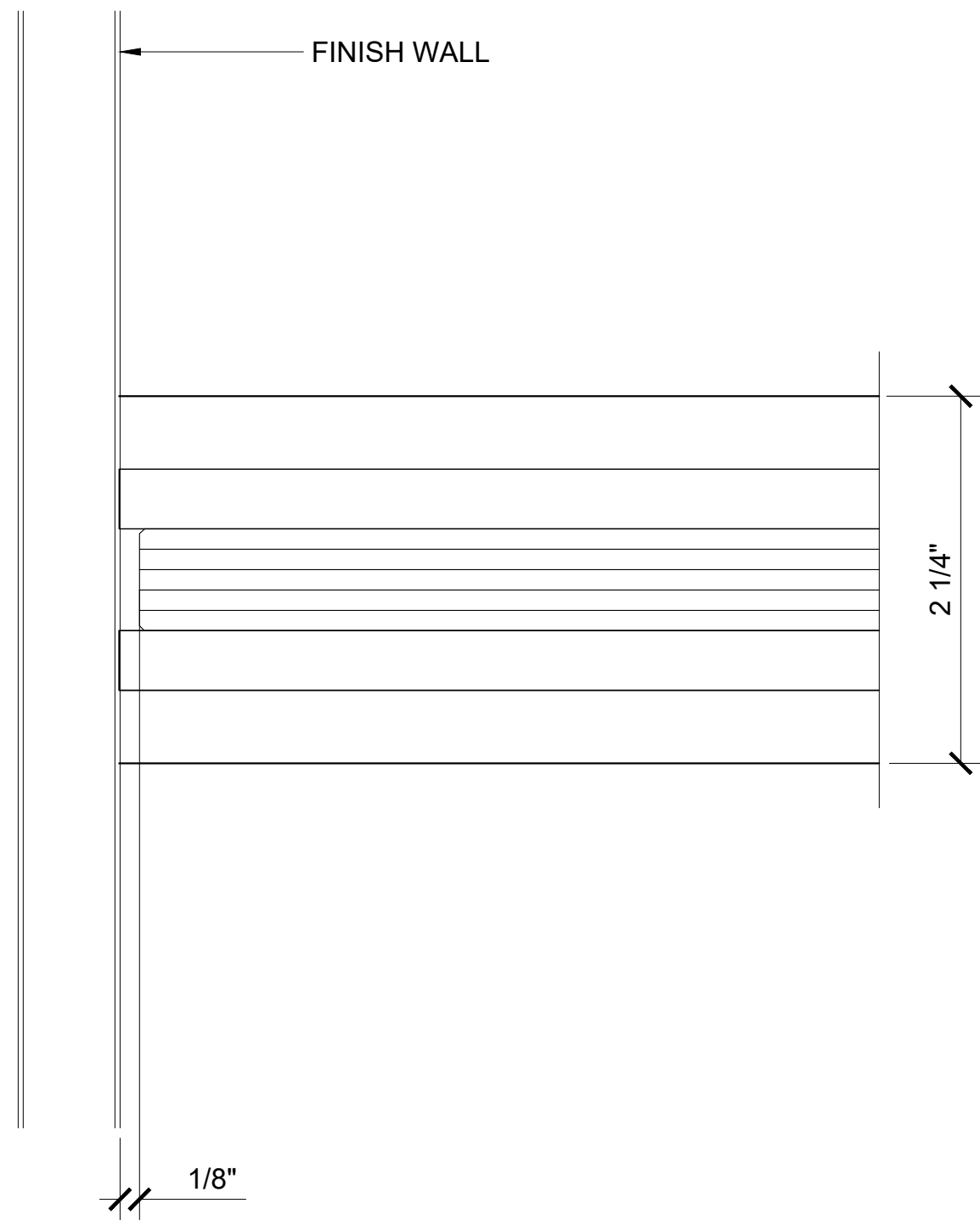
Customer:

Phone:
 Fax:
 Contact:

REV#	DATE	DRAWN BY
0	10/30/20	JPL
1		
2		
3		
4		
5		
6		

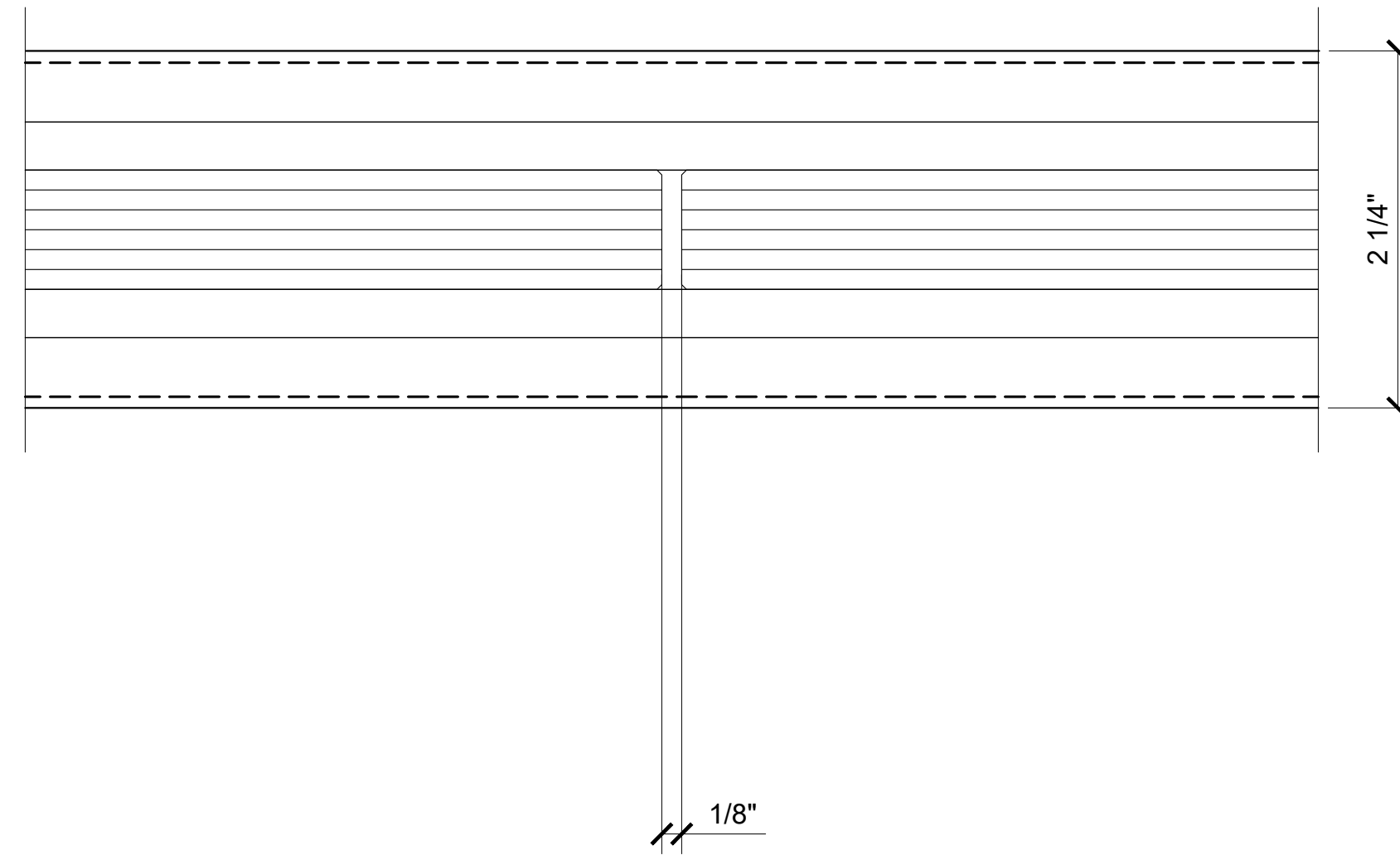
Drawn By: JPL
 Checked By: PM
 Date: 00/00/20
 Scale: AS NOTED
 Project #: 000000

Sheet No.



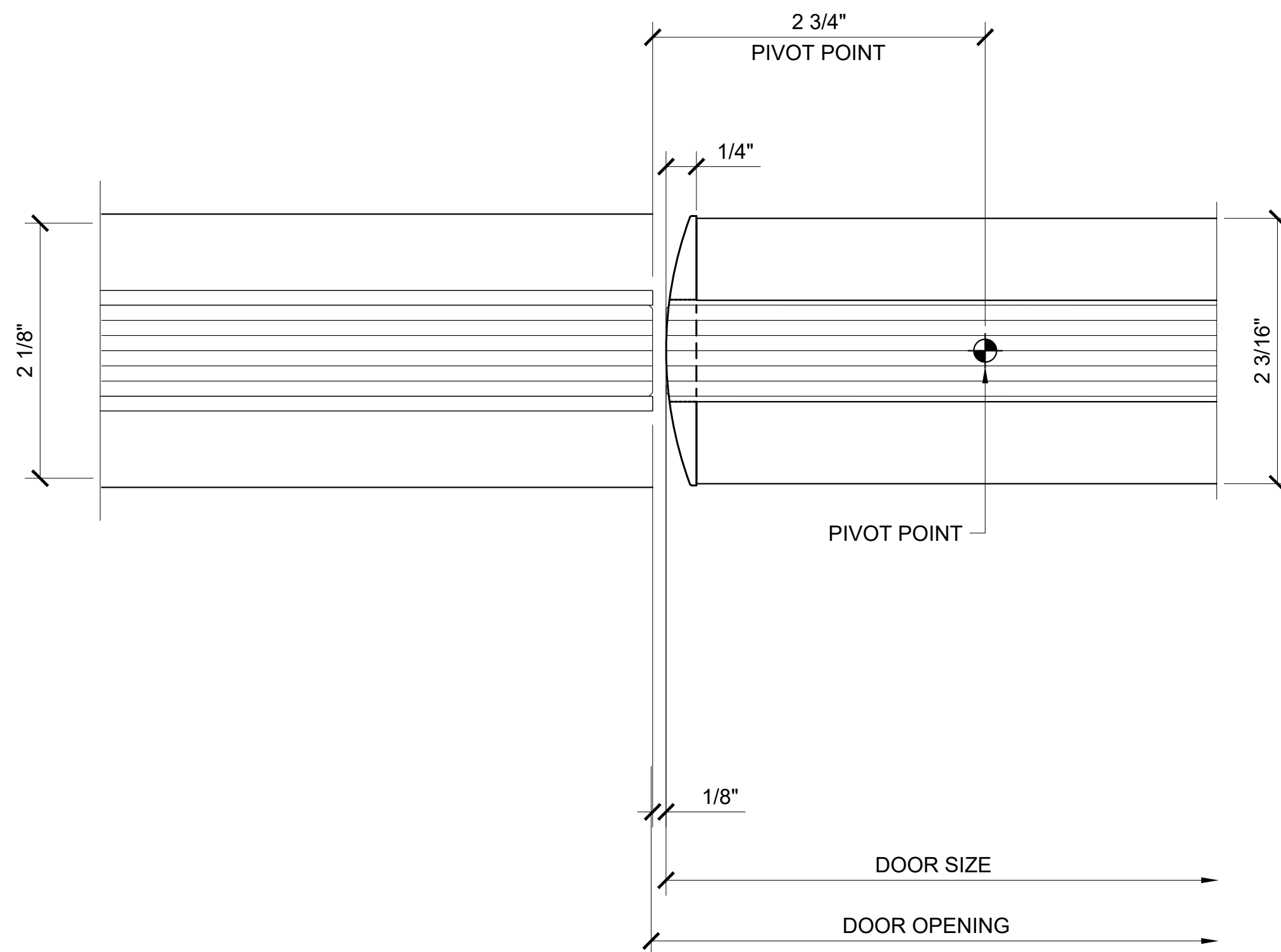
① JAMB DETAIL

ARCH REF: 1'-0"=1'-0"



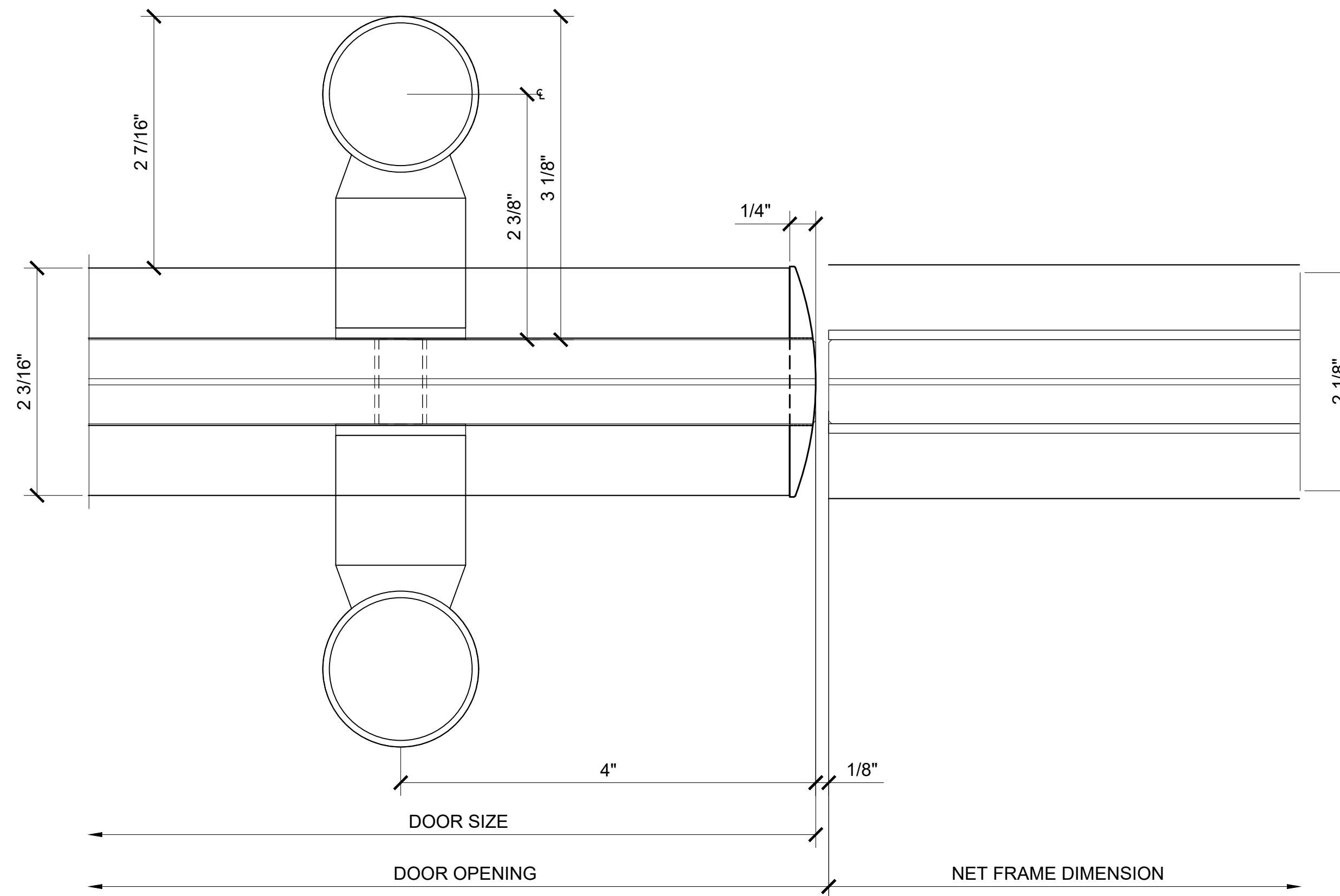
② BUTT JOINT DETAIL

ARCH REF: 1'-0"=1'-0"



③ JAMB DETAIL

ARCH REF: 1'-0"=1'-0"



④ JAMB DETAIL

ARCH REF: 1'-0"=1'-0"

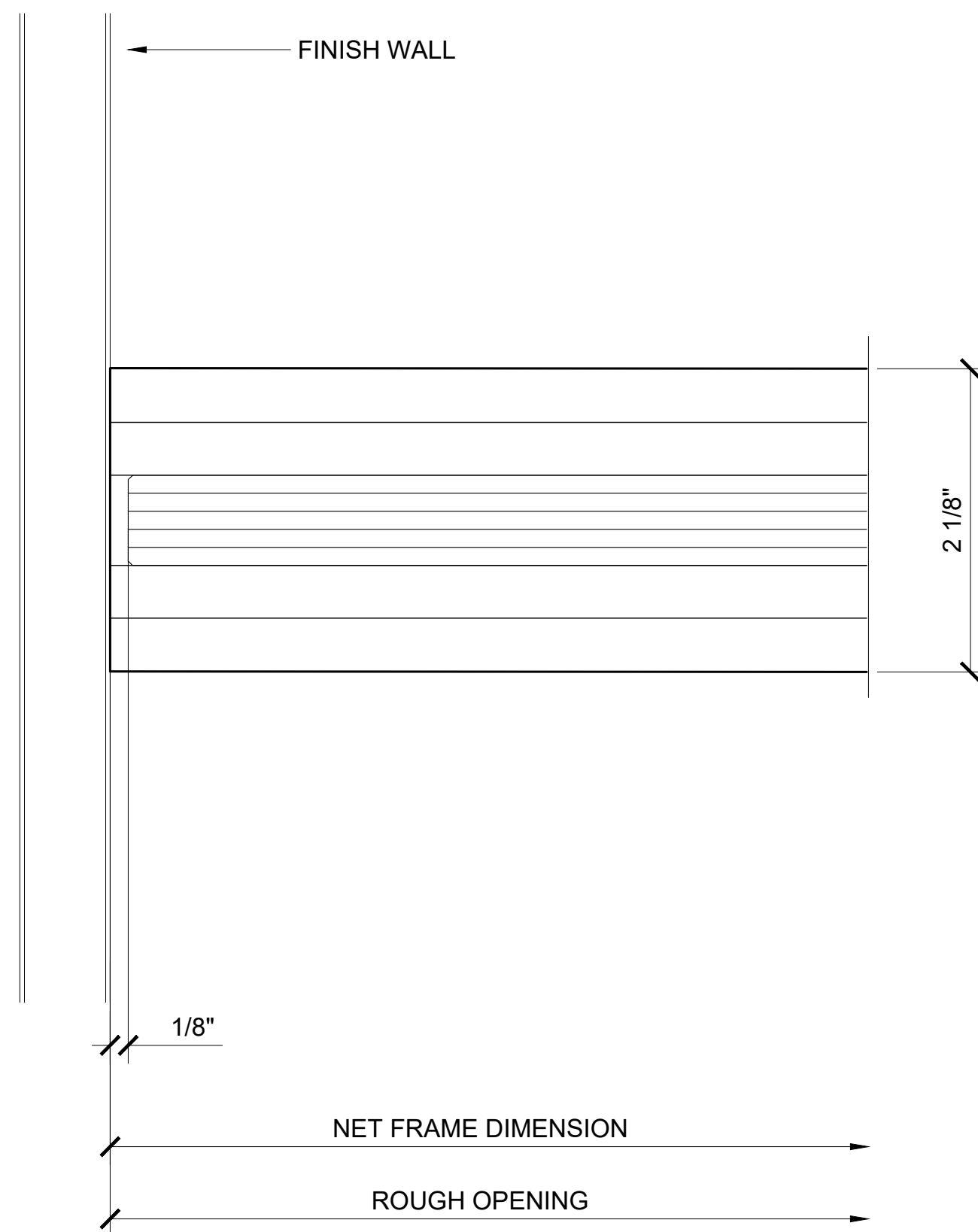
Architect: _____
 Job Name: _____
 Customer: _____
 Phone: _____
 Fax: _____
 Contact: _____

Architect: _____
 Job Name: _____
 Customer: _____
 Phone: _____
 Fax: _____
 Contact: _____

Architect: _____
 Job Name: _____
 Customer: _____
 Phone: _____
 Fax: _____
 Contact: _____

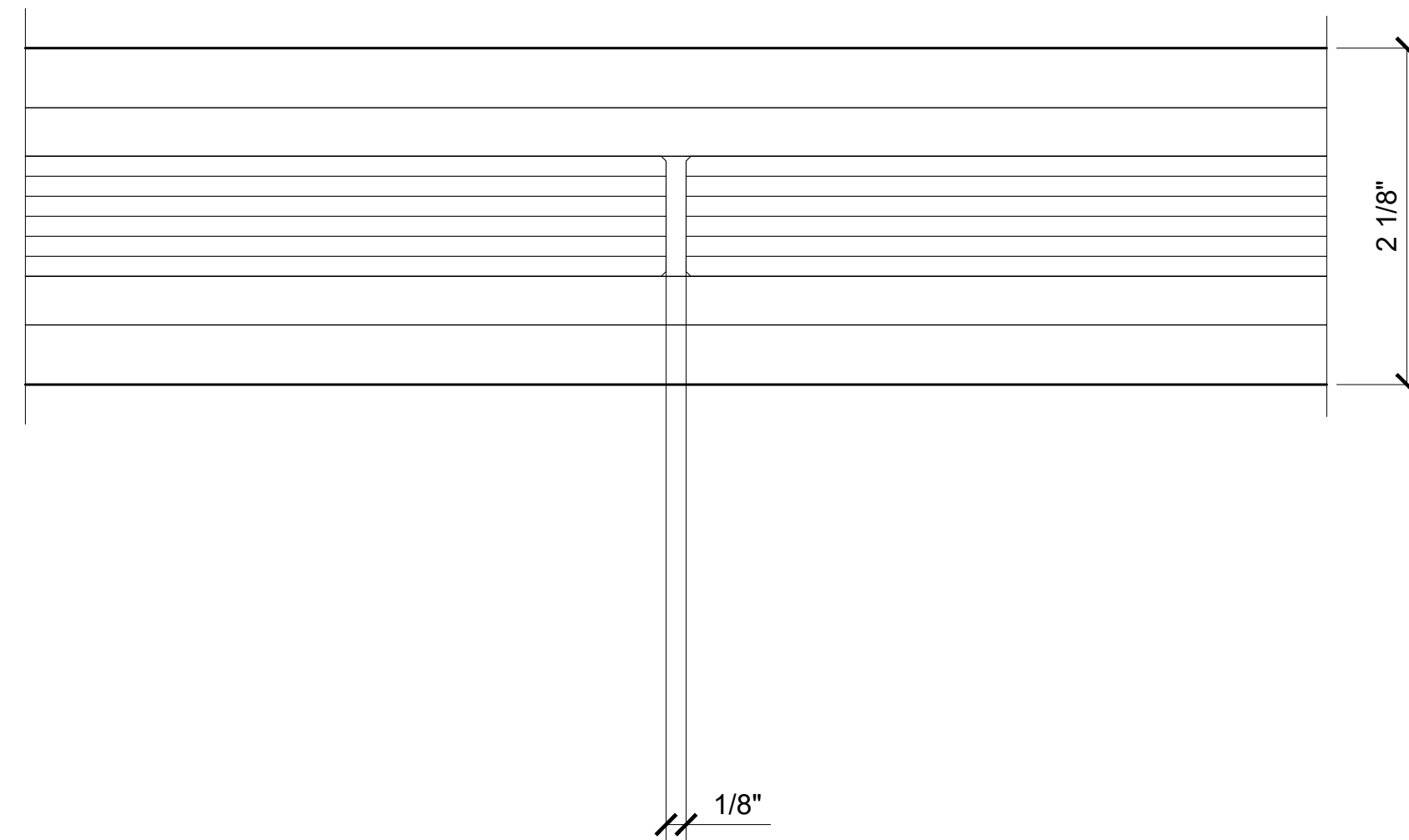
REV#	DATE	DRAWN BY
0	10/30/20	JPL
1		
2		
3		
4		
5		
6		

Drawn By: JPL
 Checked By: PM
 Date: 00/00/20
 Scale: AS NOTED
 Project #: 000000



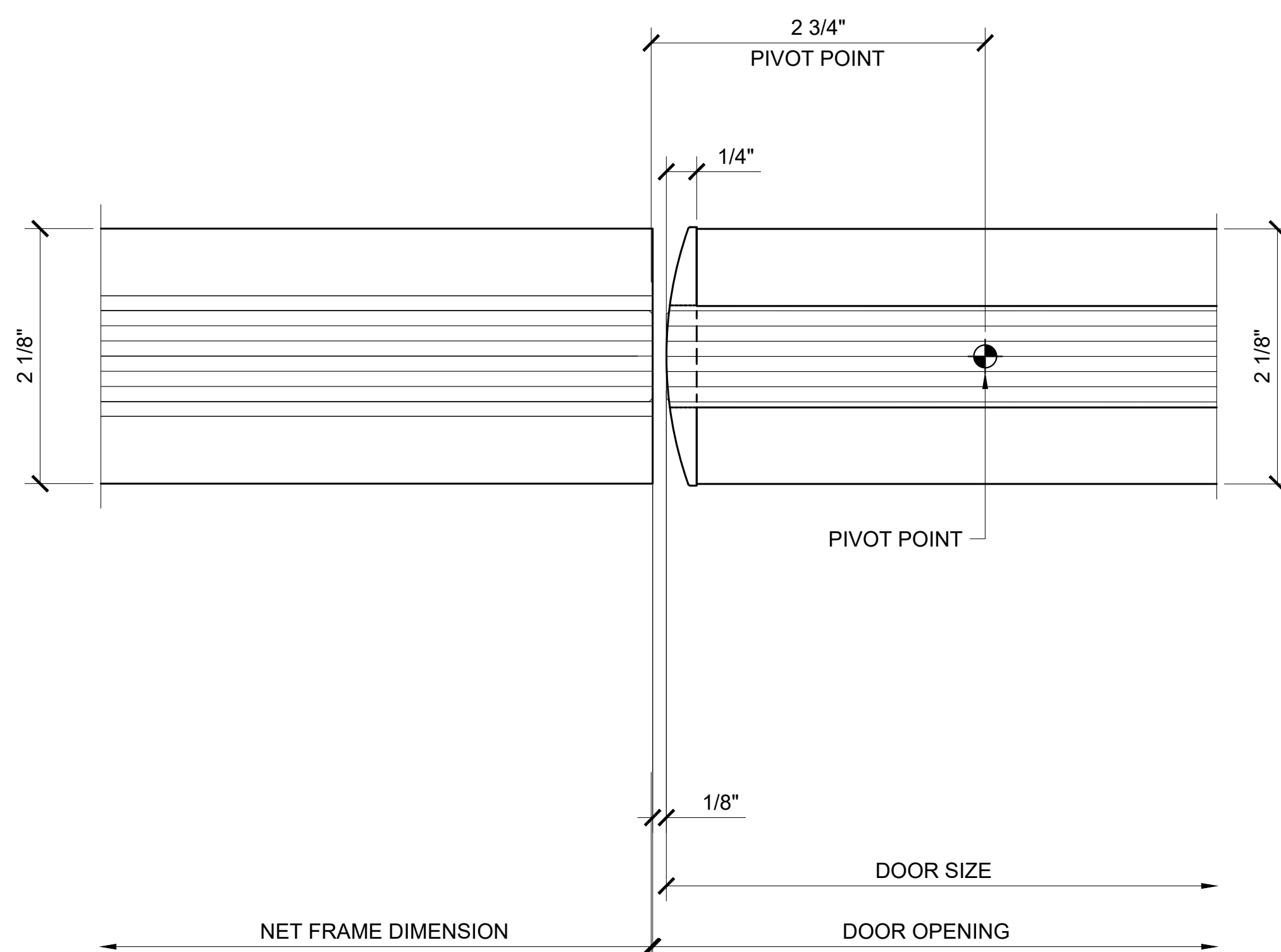
① JAMB DETAIL

ARCH REF: 1'-0"=1'-0"



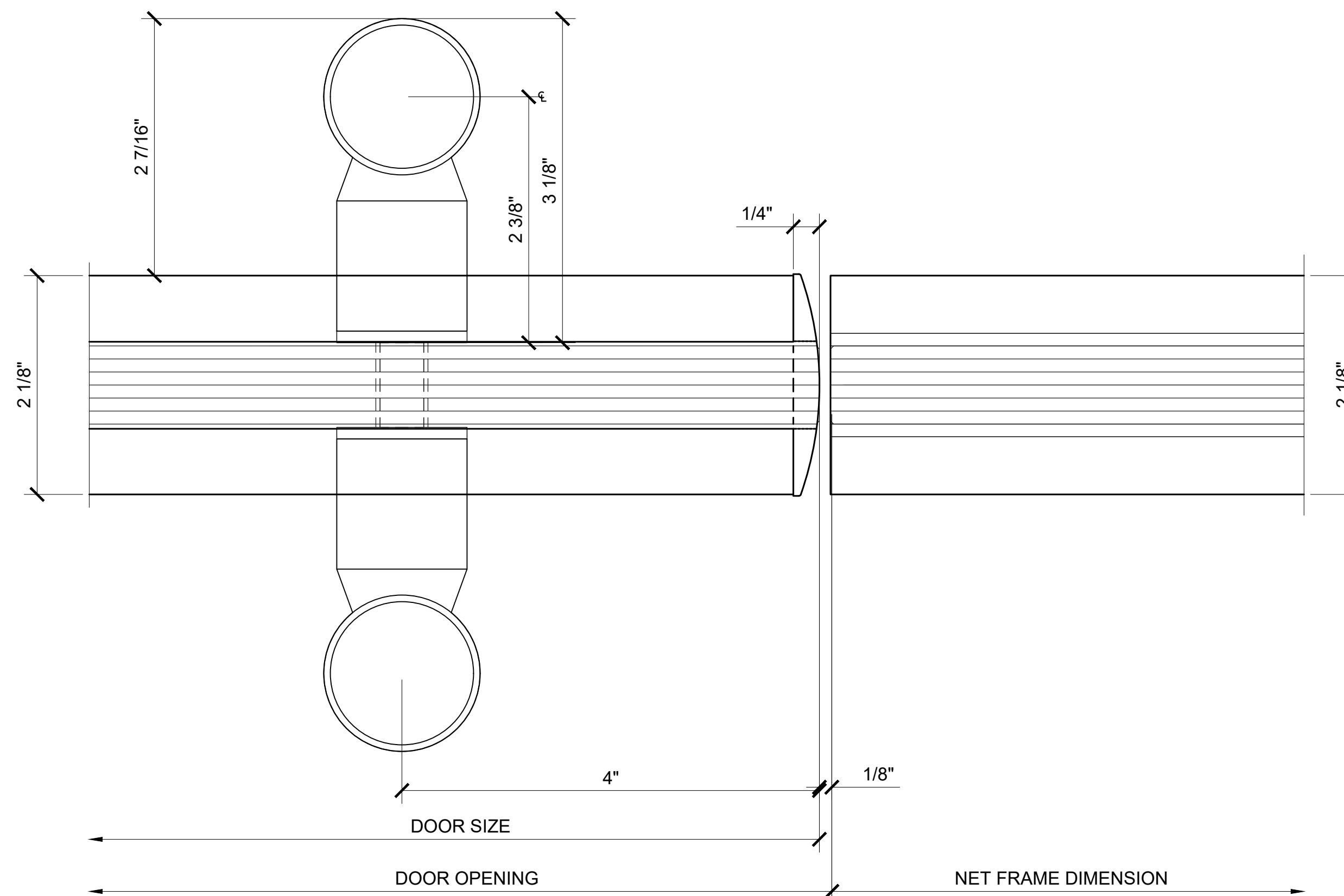
② BUTT JOINT DETAIL

ARCH REF: 1'-0"=1'-0"



③ JAMB DETAIL

ARCH REF: 1'-0"=1'-0"



④ JAMB DETAIL

ARCH REF: 1'-0"=1'-0"

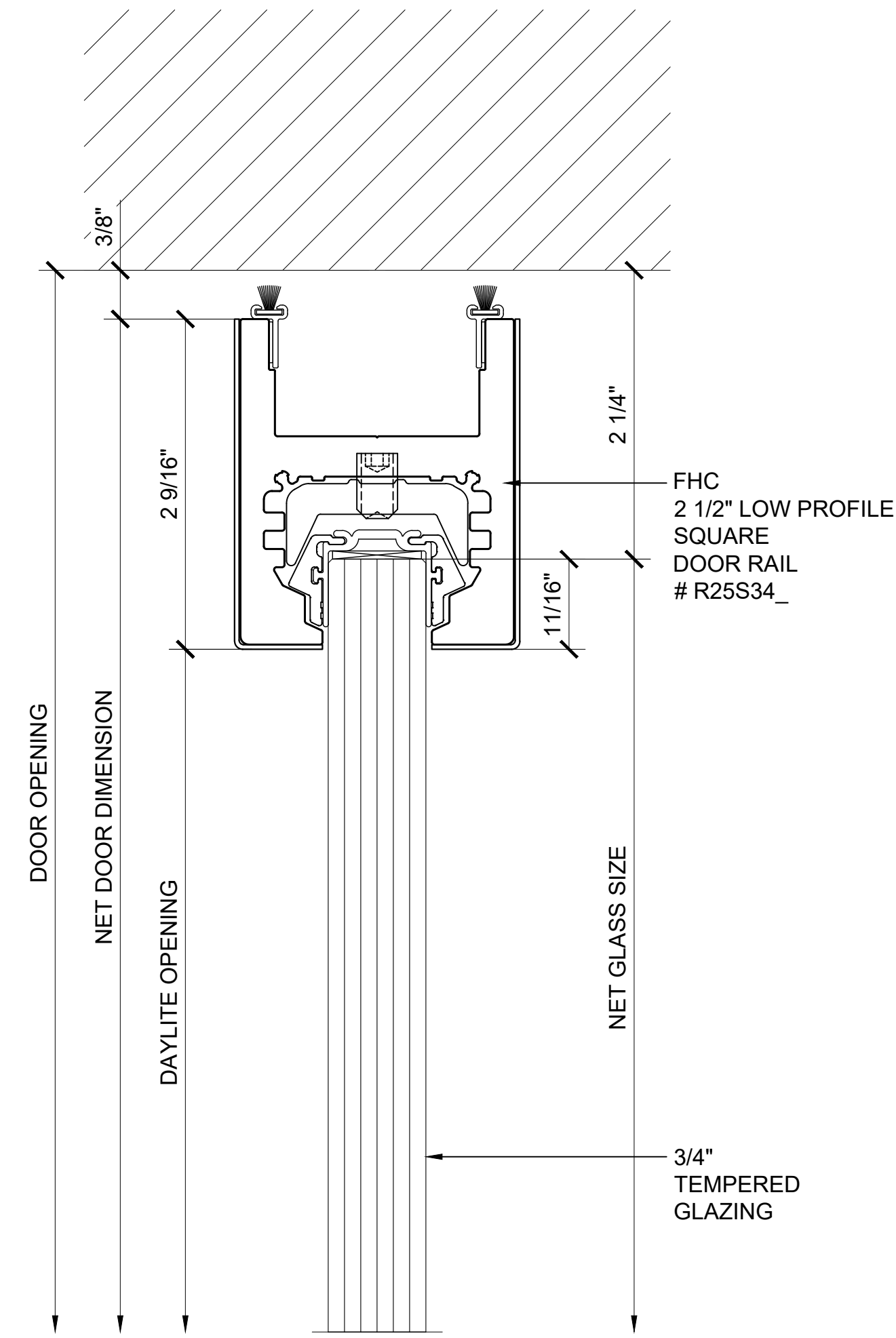
Architect: _____
 Job Name: _____
 Customer: _____
 Phone: _____
 Fax: _____
 Contact: _____

Architect: _____
 Job Name: _____
 Customer: _____
 Phone: _____
 Fax: _____
 Contact: _____

Architect: _____
 Job Name: _____
 Customer: _____
 Phone: _____
 Fax: _____
 Contact: _____

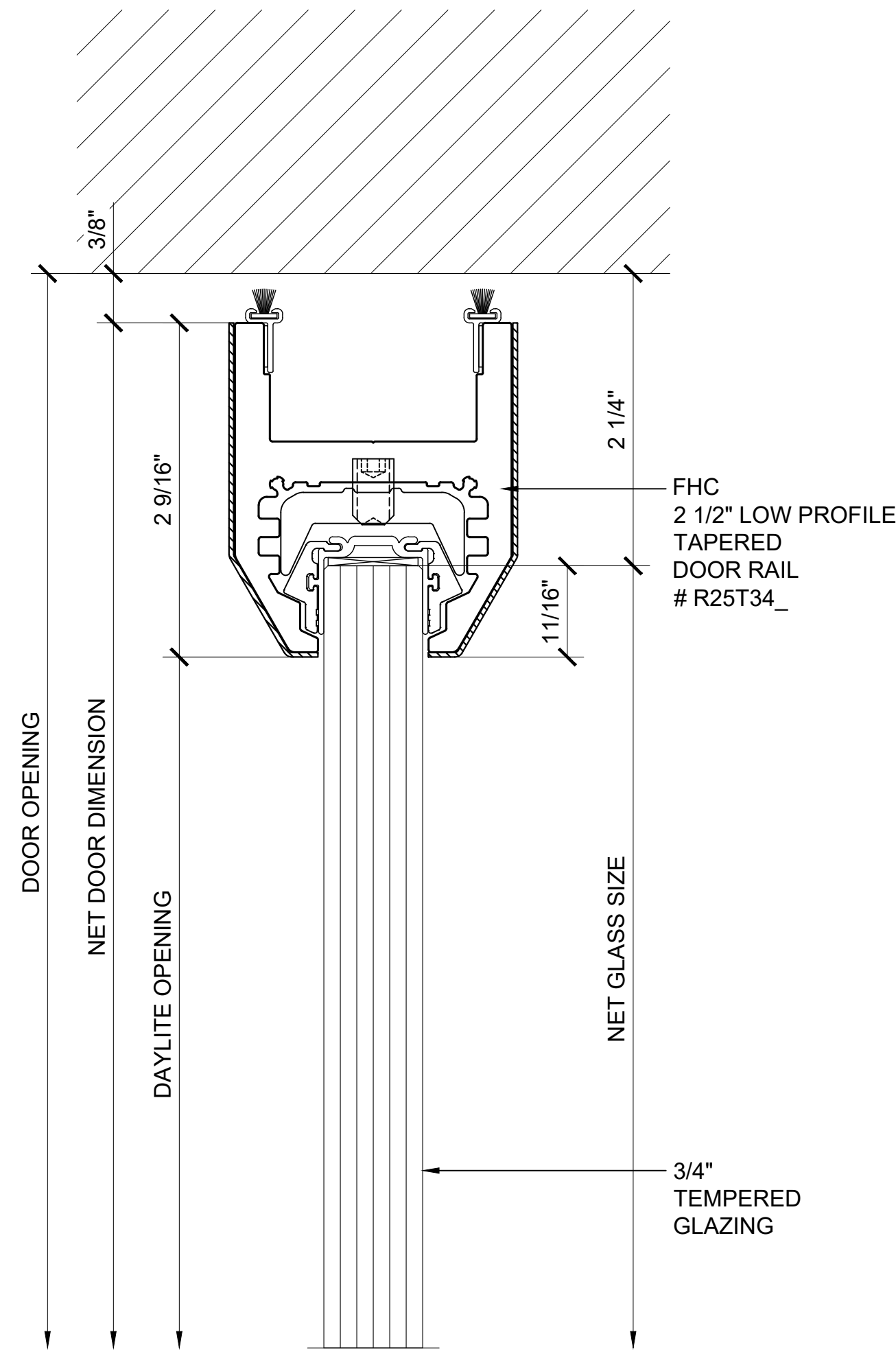
REV#	DATE	DRAWN BY
0	10/30/20	JPL
1		
2		
3		
4		
5		
6		

Drawn By: JPL
 Checked By: PM
 Date: 00/00/20
 Scale: AS NOTED
 Project #: 000000



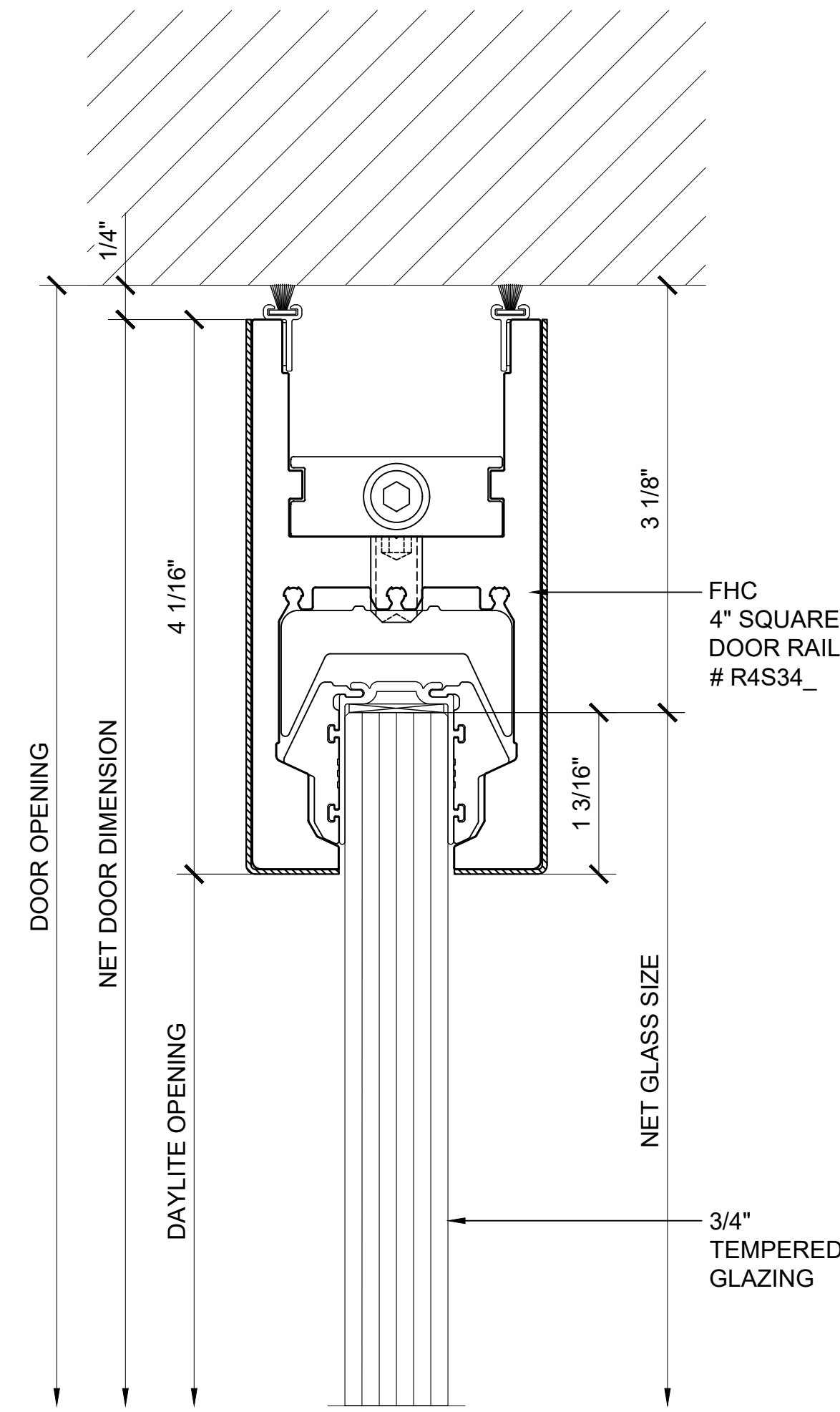
1 HEAD DETAIL

ARCH REF: 1'-0"=1'-0"



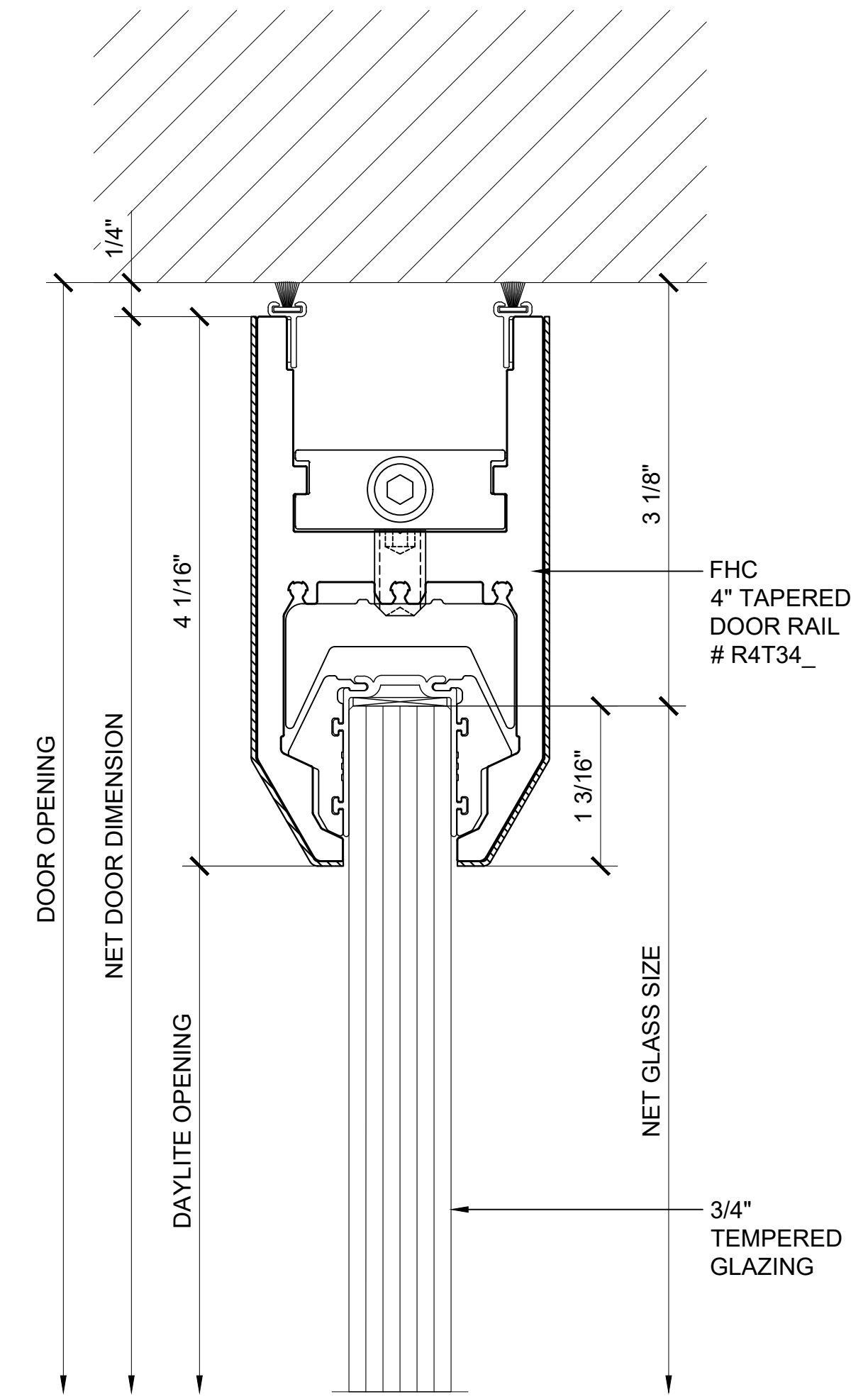
3 HEAD DETAIL

ARCH REF: 1'-0"=1'-0"



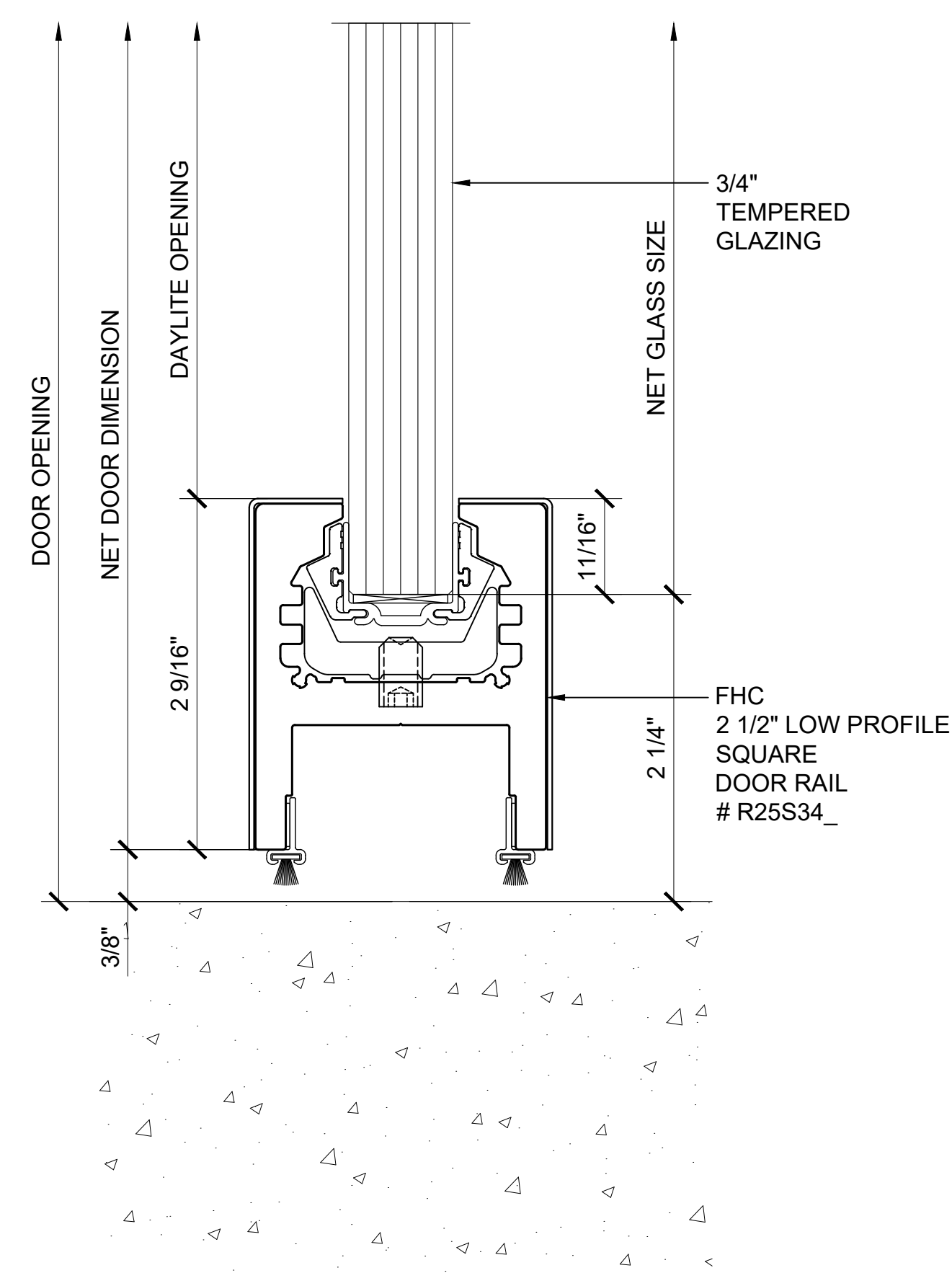
5 HEAD DETAIL

ARCH REF: 1'-0"=1'-0"



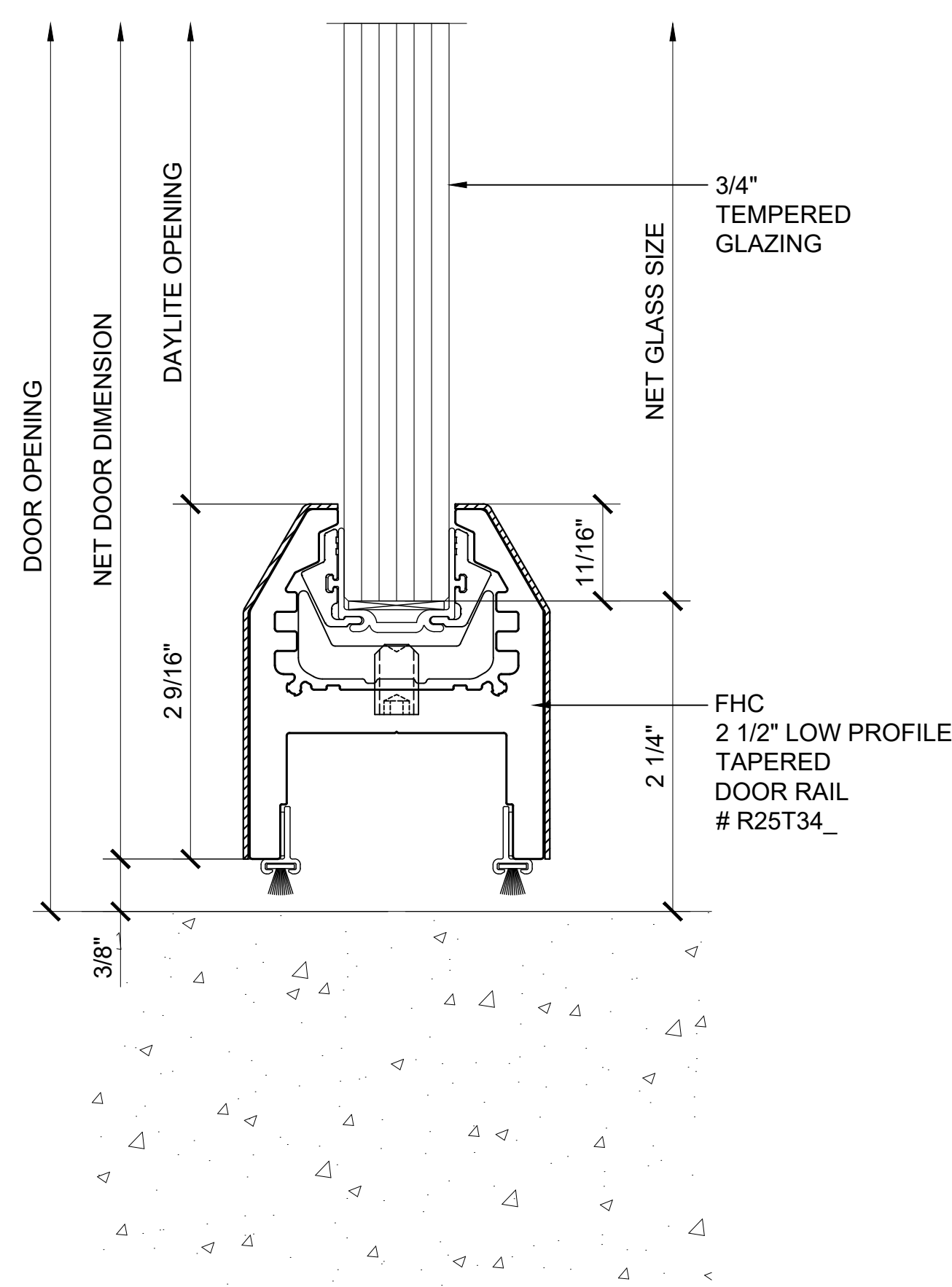
7 HEAD DETAIL

ARCH REF: 1'-0"=1'-0"



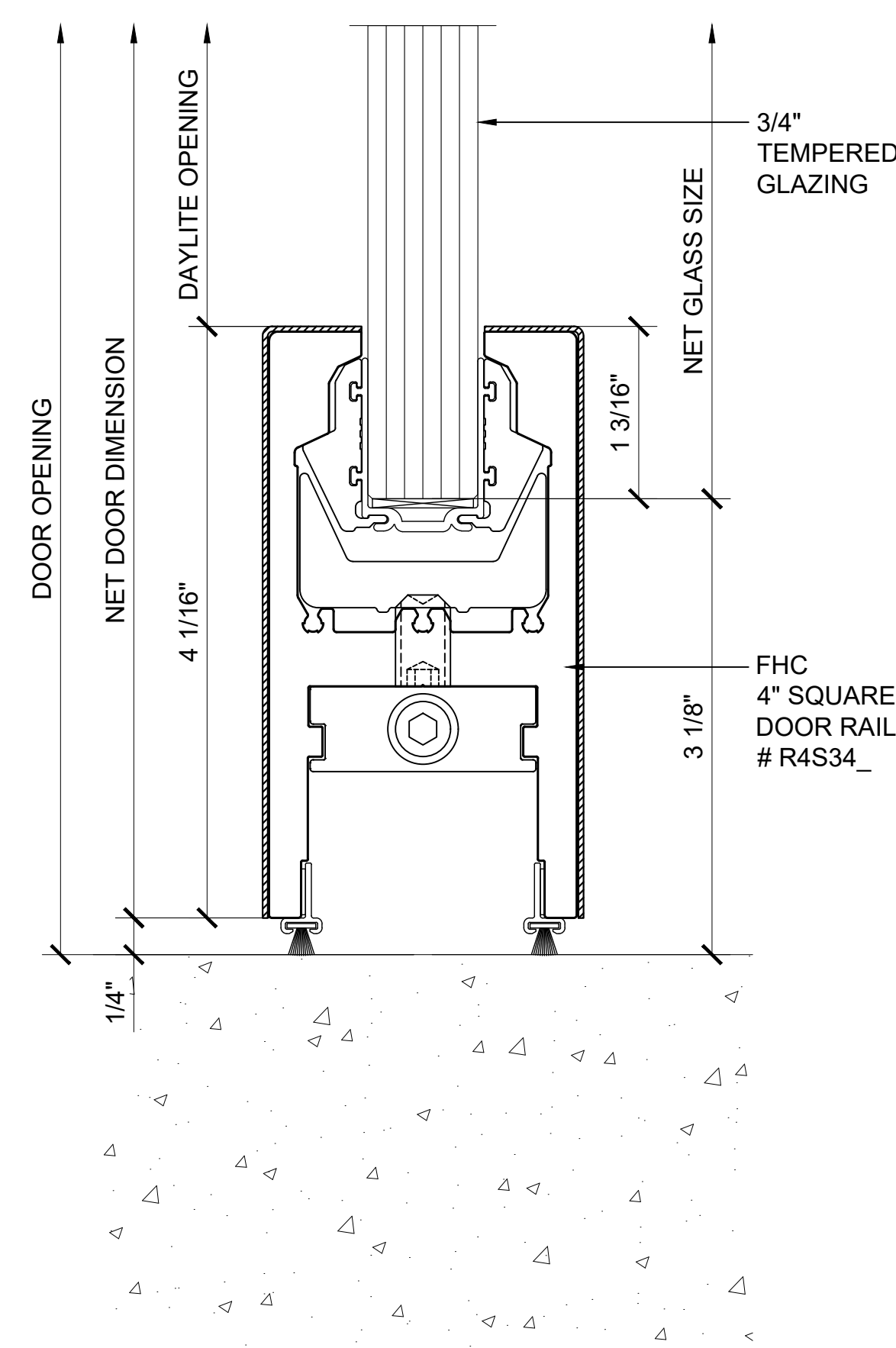
2 SILL DETAIL

ARCH REF: 1'-0"=1'-0"



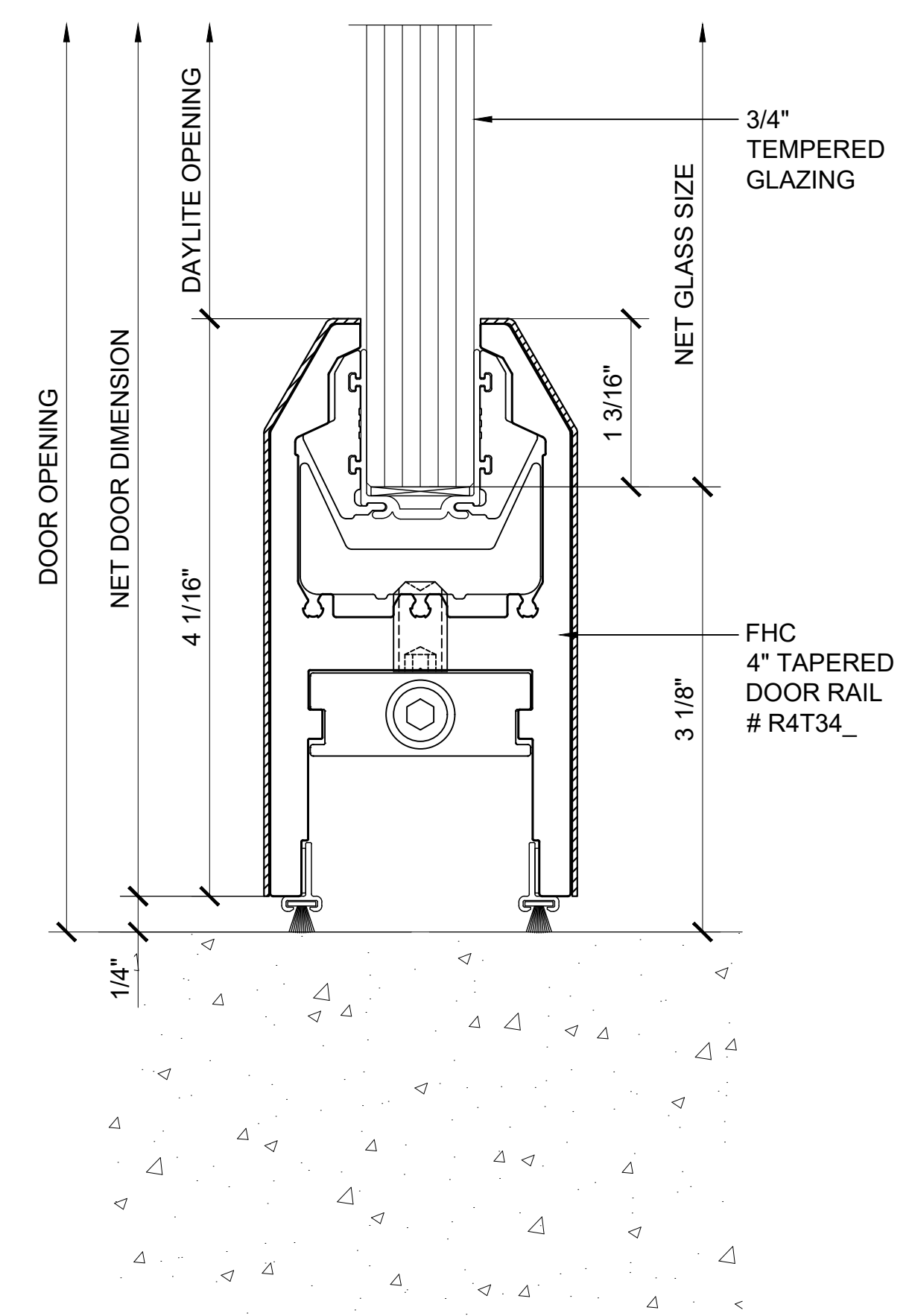
4 SILL DETAIL

ARCH REF: 1'-0"=1'-0"



6 SILL DETAIL

ARCH REF: 1'-0"=1'-0"



8 SILL DETAIL

ARCH REF: 1'-0"=1'-0"

Architect: _____
 Phone: _____
 Fax: _____
 Contact: _____

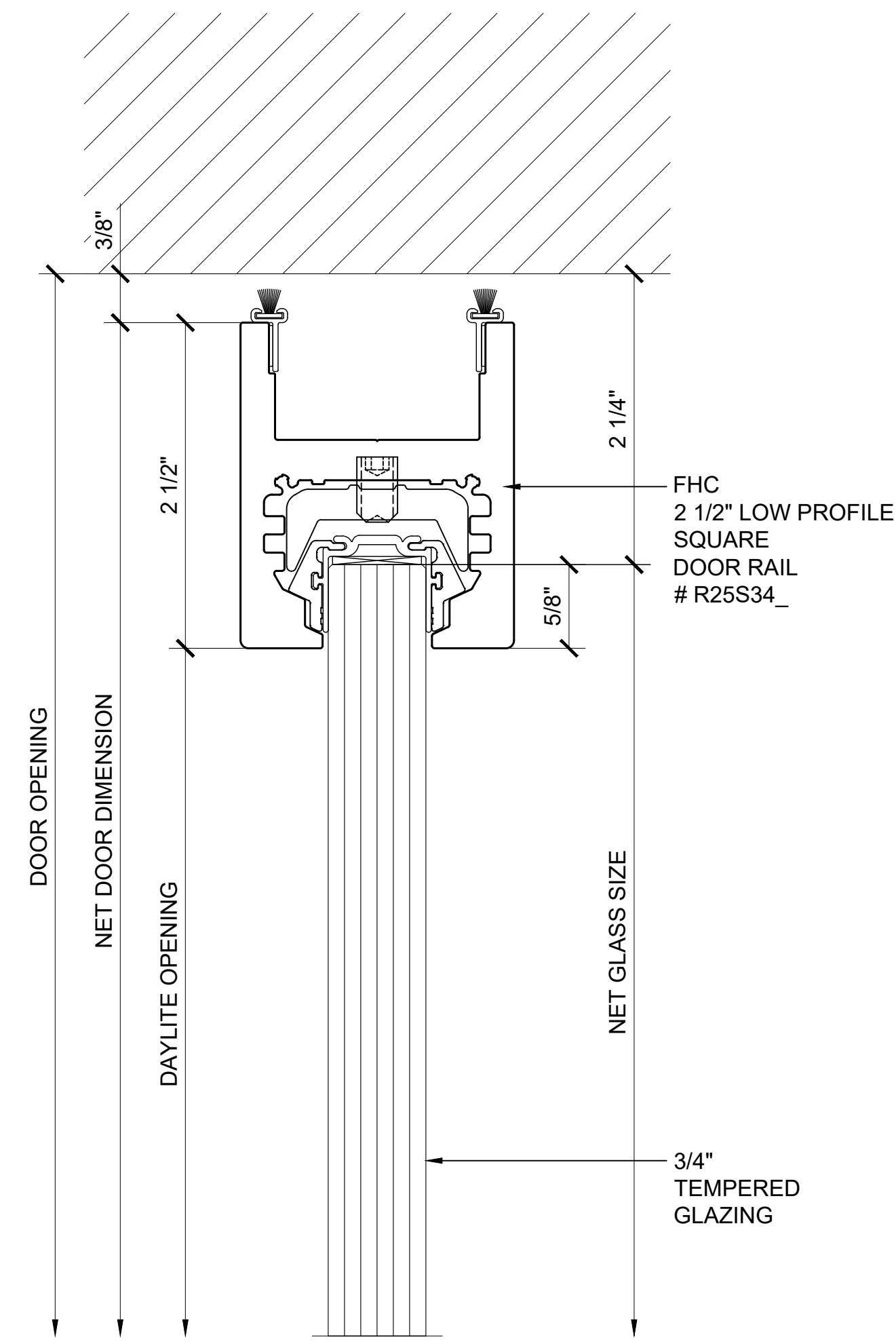
Job Name: _____
 Phone: _____
 Fax: _____
 Contact: _____

Customer: _____
 Phone: _____
 Fax: _____
 Contact: _____

REV#	DATE	DRAWN BY
0	10/30/20	JPL
1		
2		
3		
4		
5		
6		

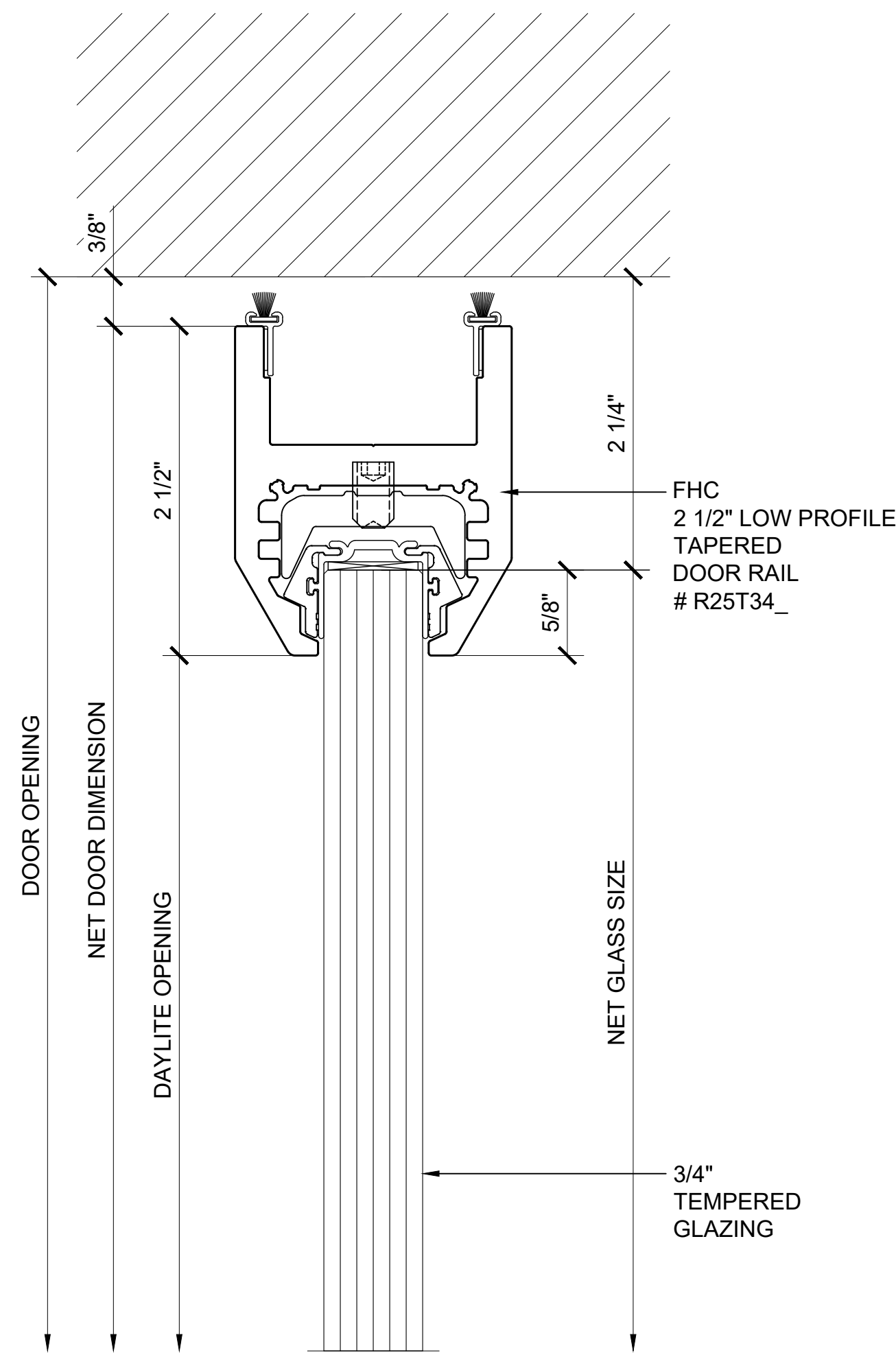
Drawn By: JPL
 Checked By: PM
 Date: 00/00/20
 Scale: AS NOTED
 Project #: 000000

Sheet No.



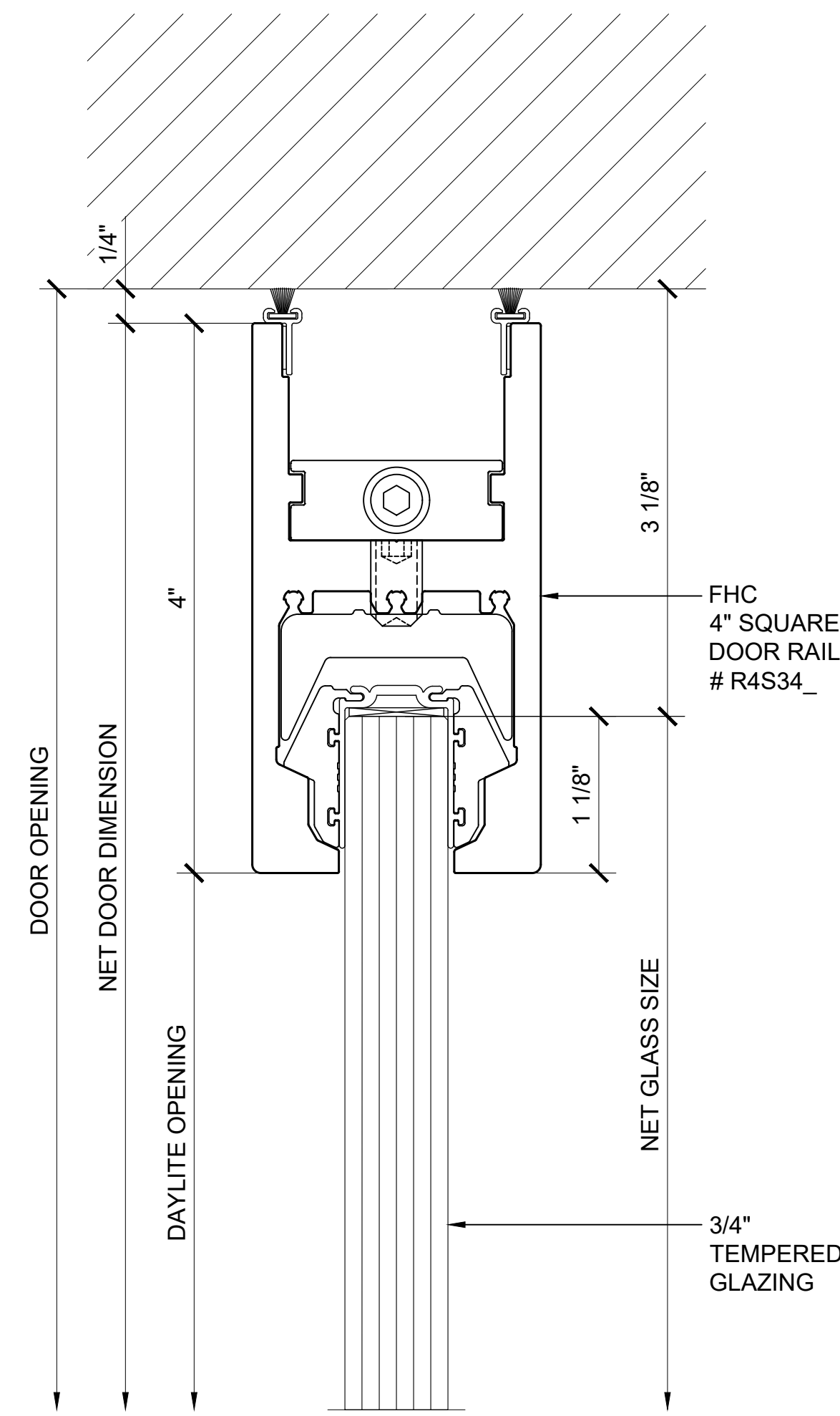
① HEAD DETAIL

ARCH REF: 1'-0"=1'-0"



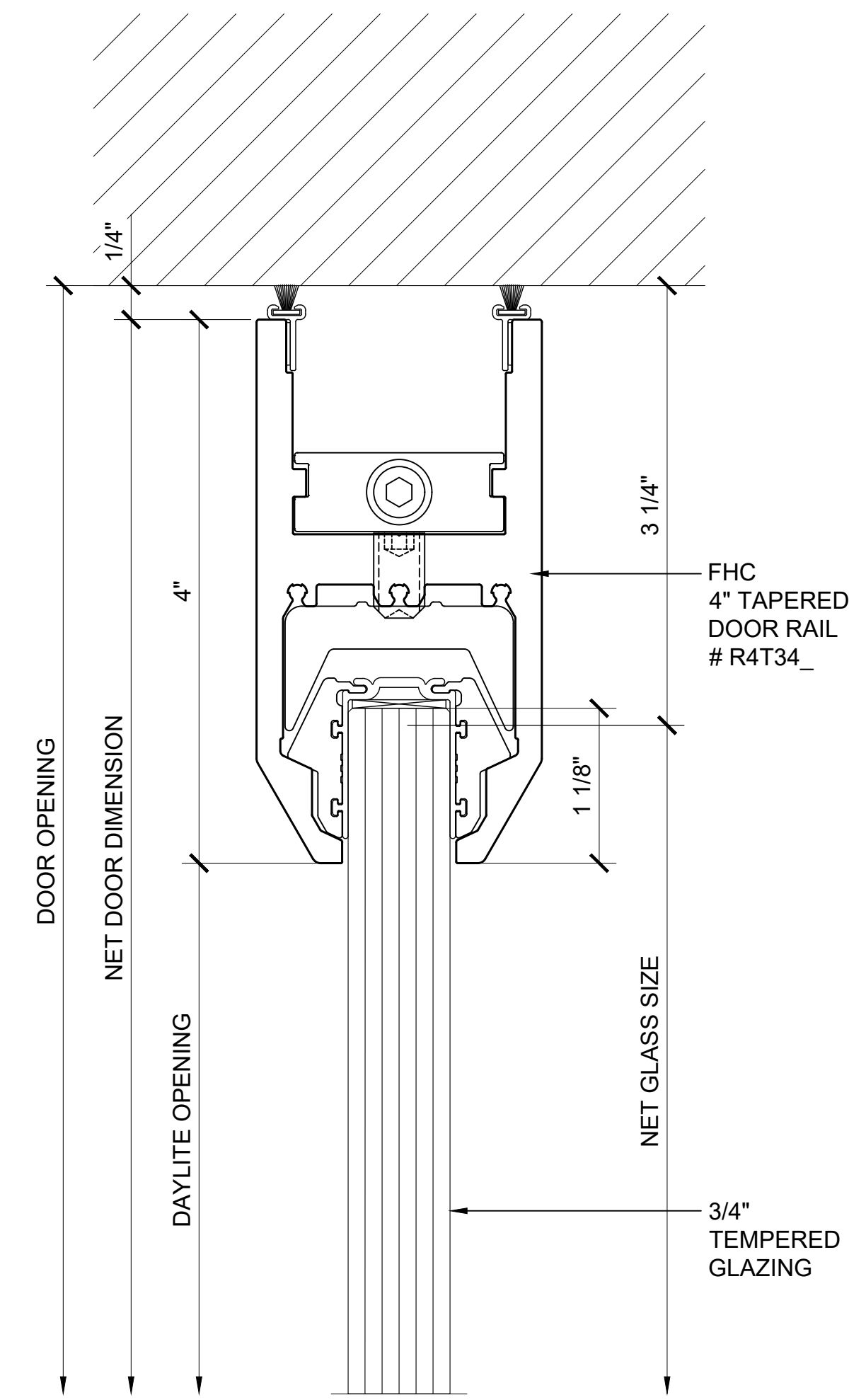
③ HEAD DETAIL

ARCH REF: 1'-0"=1'-0"



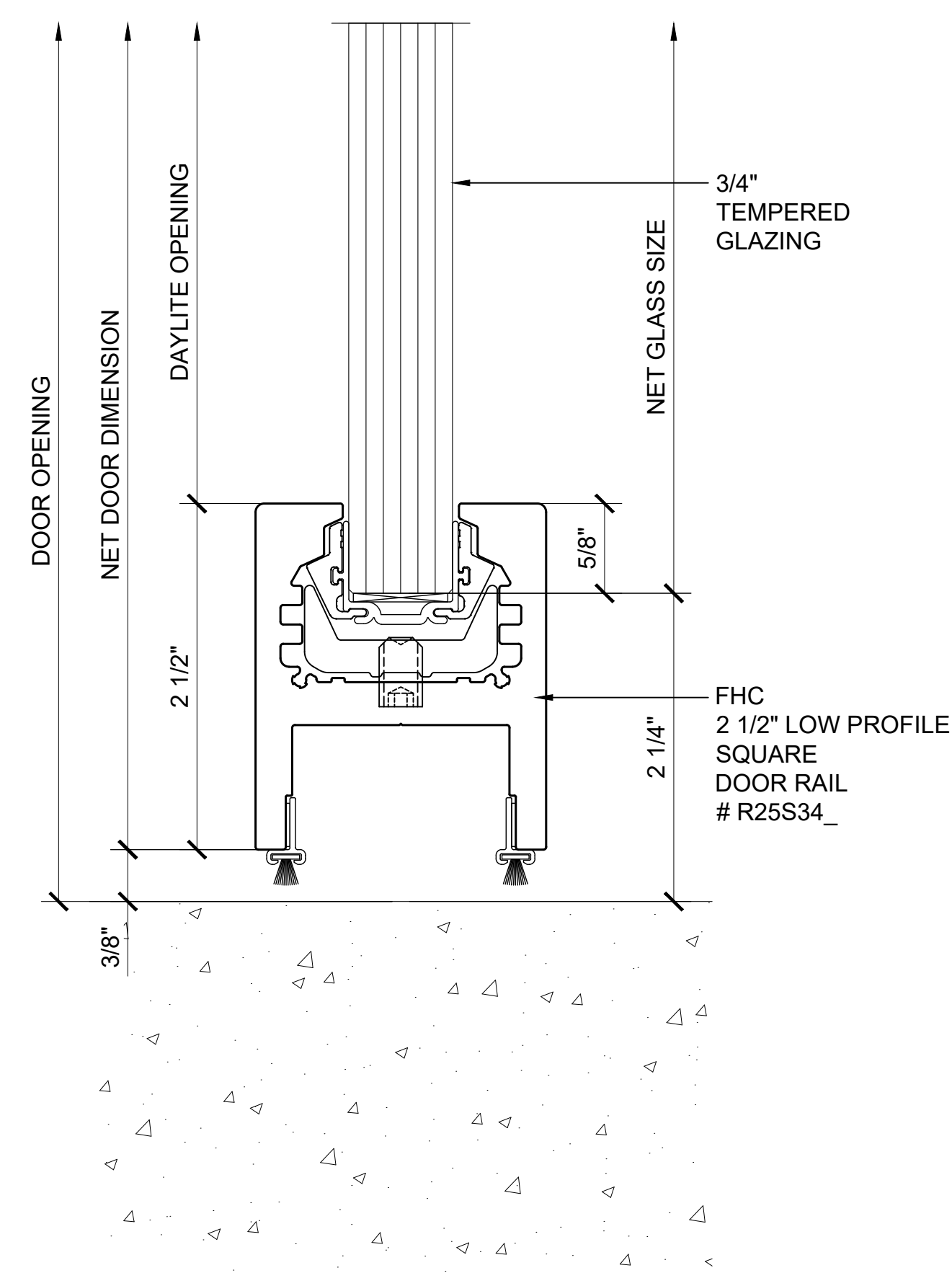
⑤ HEAD DETAIL

ARCH REF: 1'-0"=1'-0"



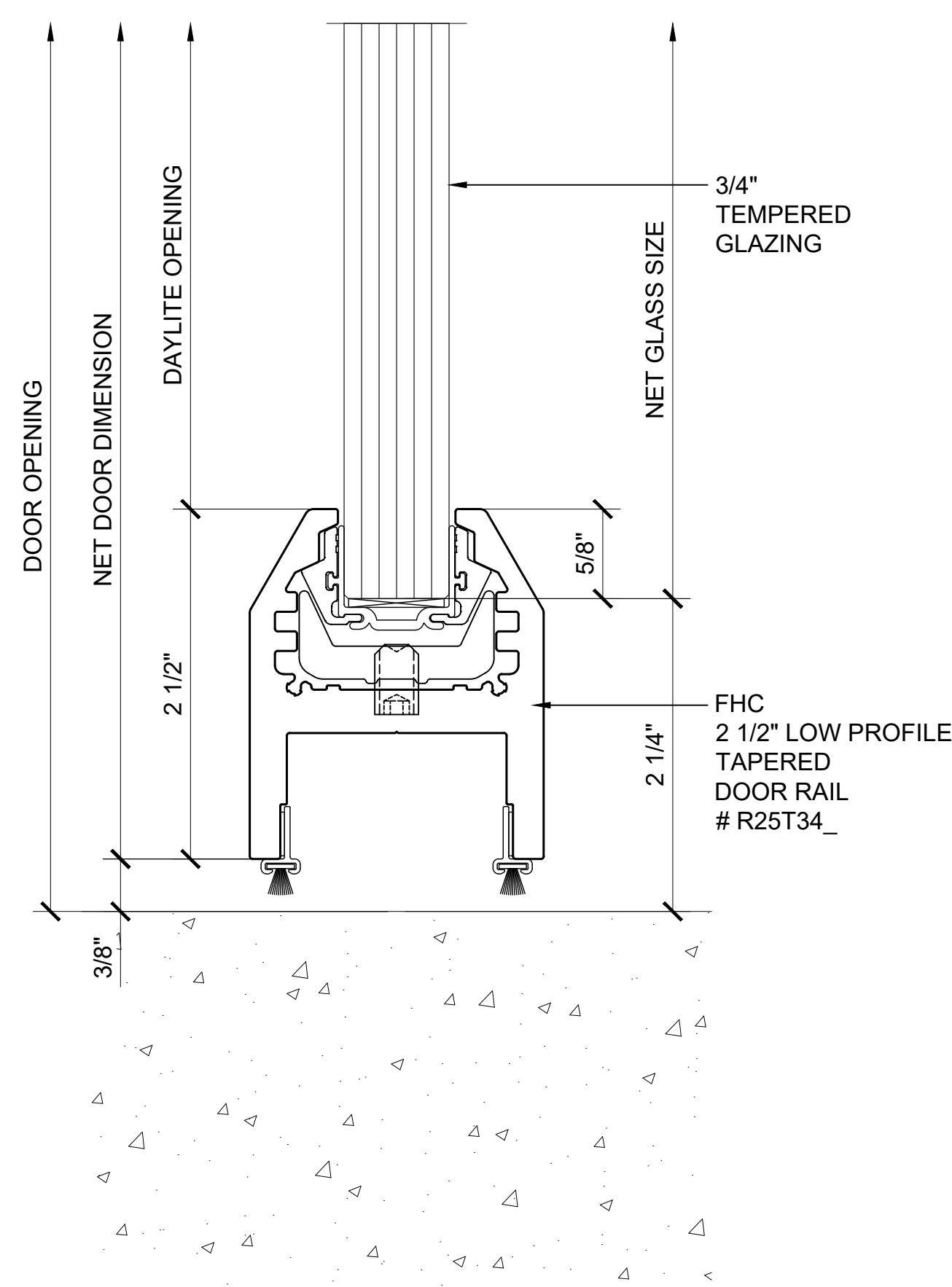
⑦ HEAD DETAIL

ARCH REF: 1'-0"=1'-0"



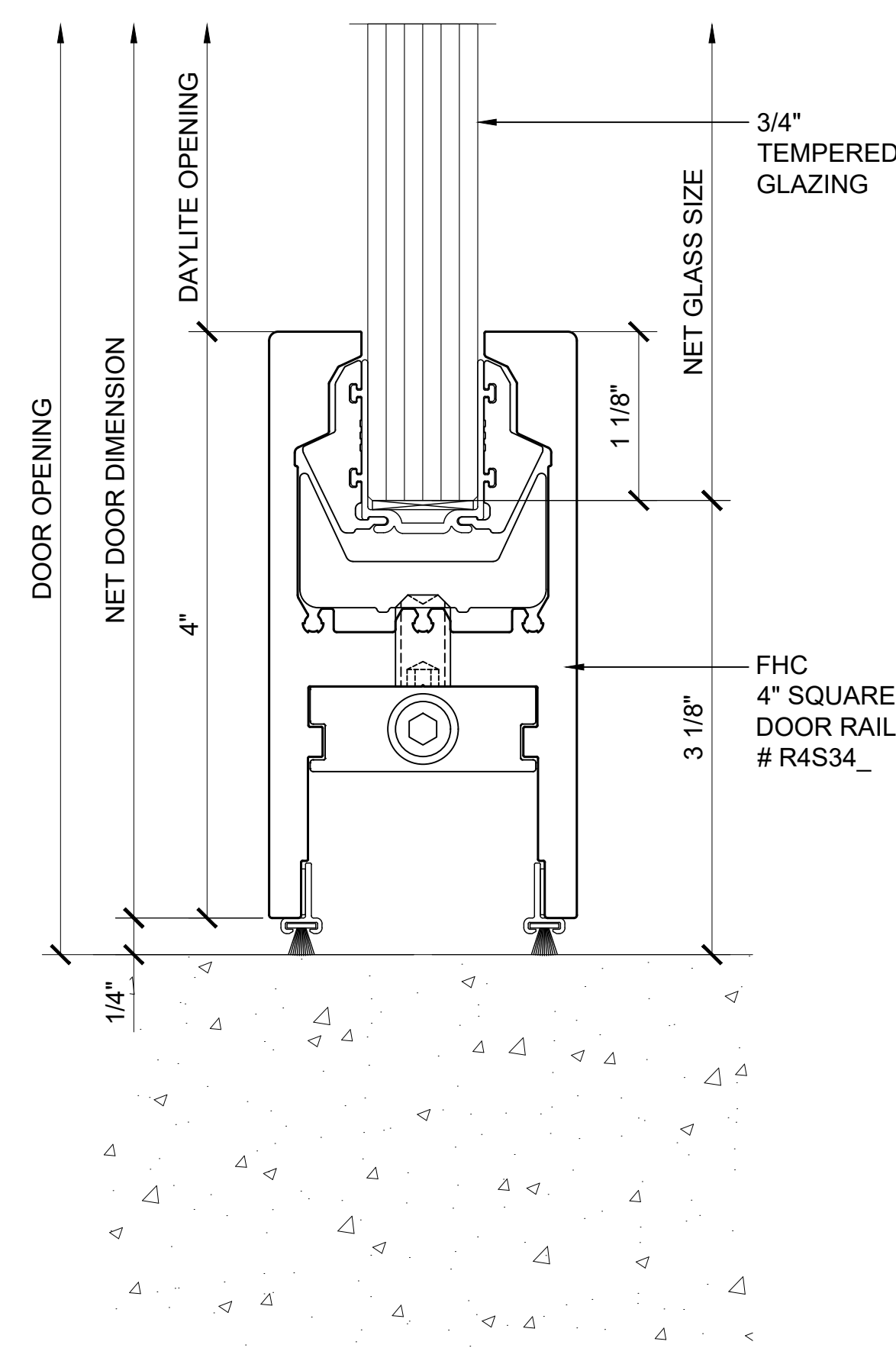
② SILL DETAIL

ARCH REF: 1'-0"=1'-0"



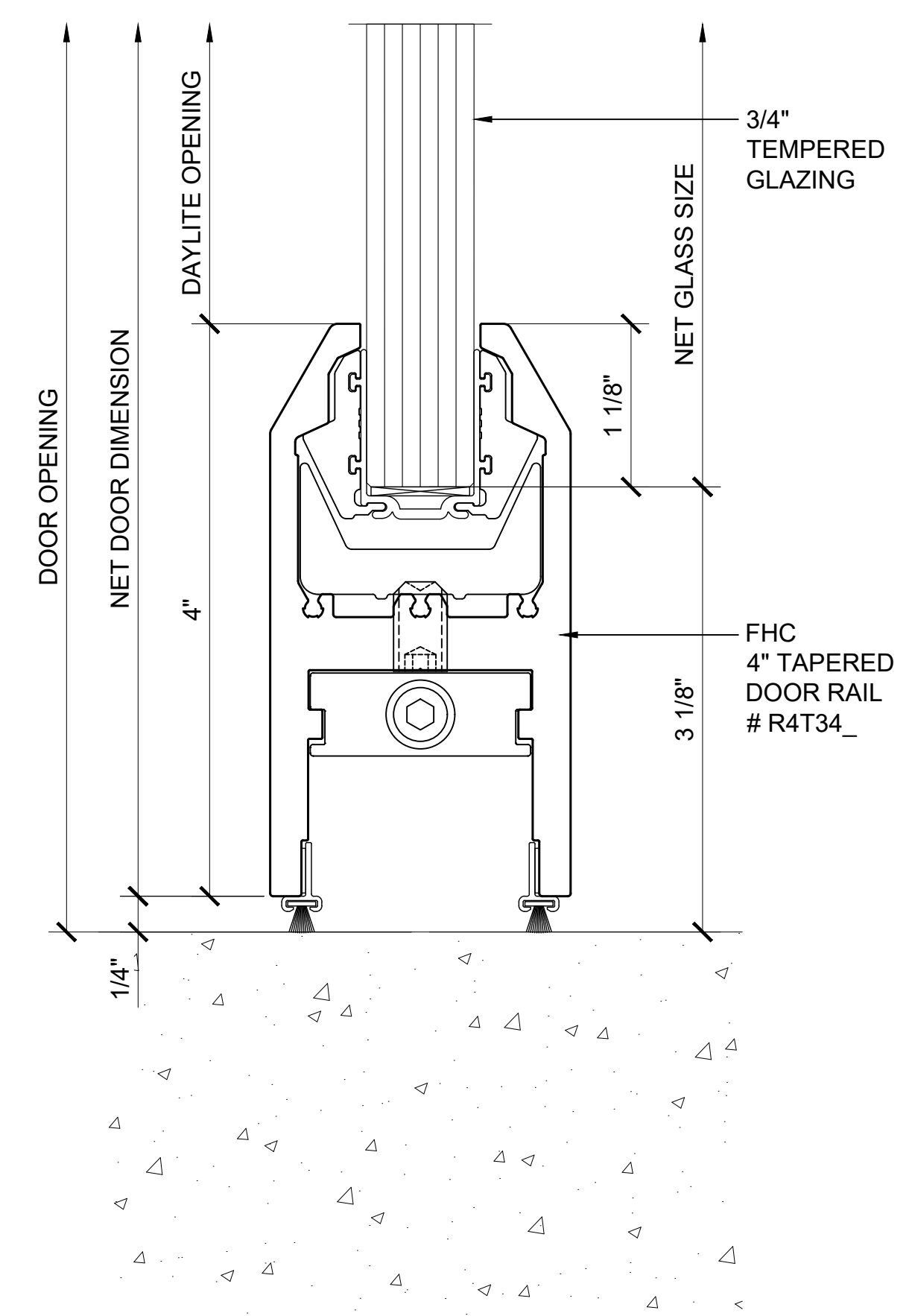
④ SILL DETAIL

ARCH REF: 1'-0"=1'-0"



⑥ SILL DETAIL

ARCH REF: 1'-0"=1'-0"



⑧ SILL DETAIL

ARCH REF: 1'-0"=1'-0"

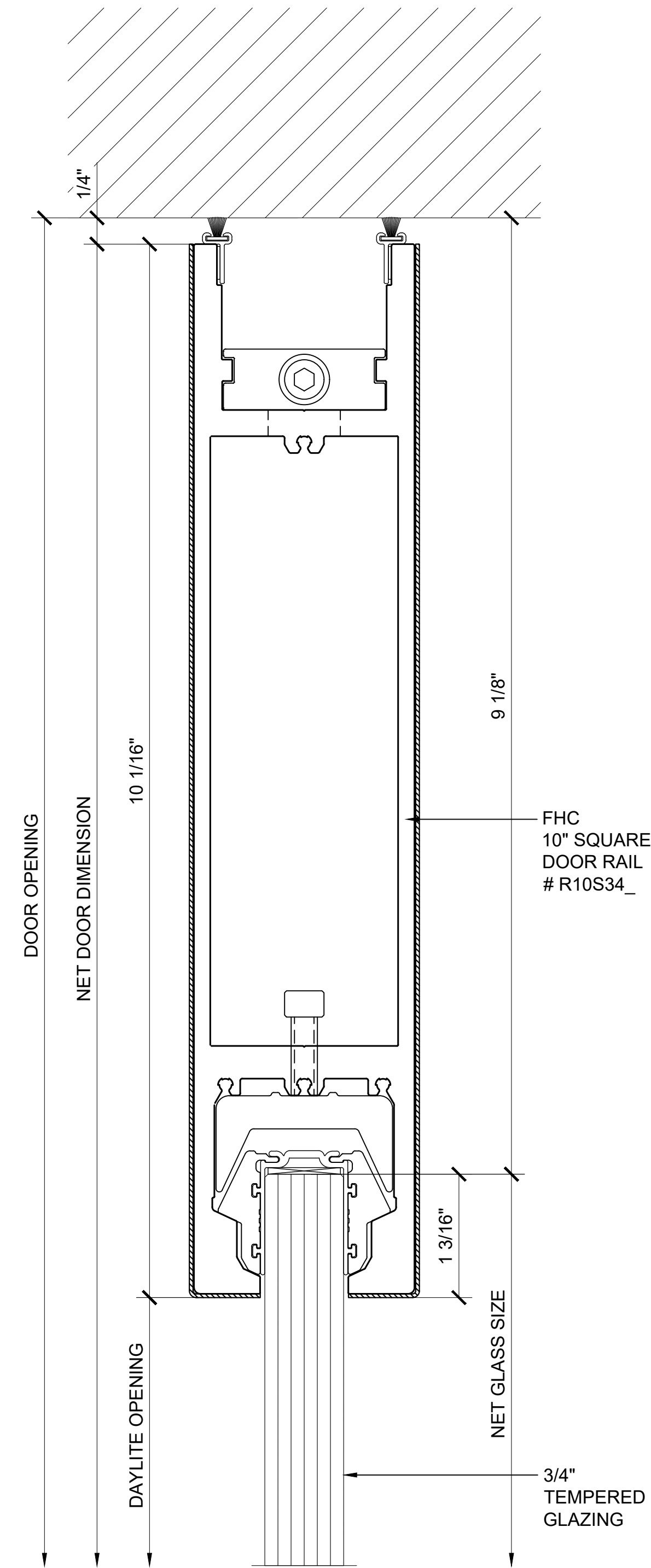
Architect: _____
Phone: _____
Fax: _____
Contact: _____

Job Name: _____
Phone: _____
Fax: _____
Contact: _____

Customer: _____
Phone: _____
Fax: _____
Contact: _____

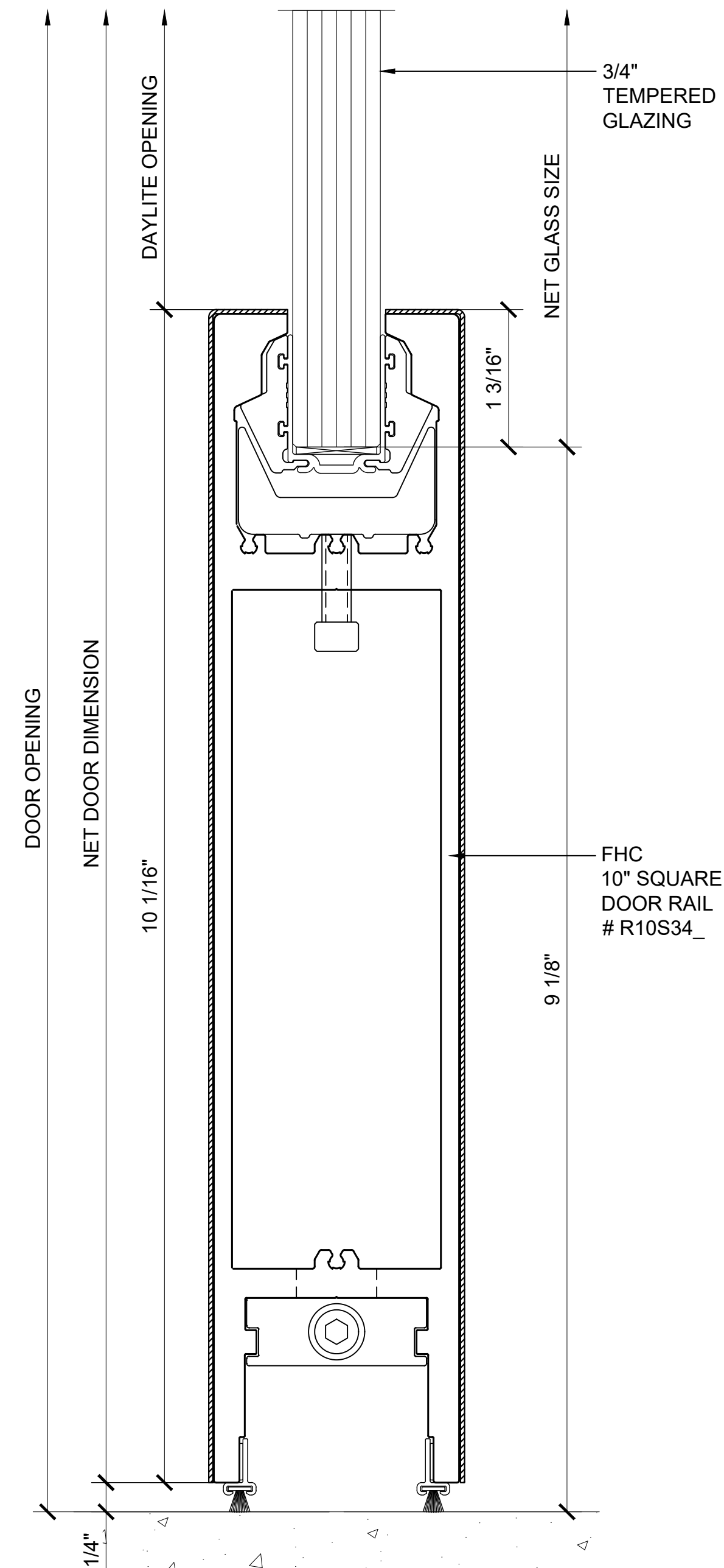
REV#	DATE	DRAWN BY
0	10/30/20	JPL
1		
2		
3		
4		
5		
6		

Drawn By: JPL
Checked By: PM
Date: 00/00/20
Scale: AS NOTED
Project #: 000000



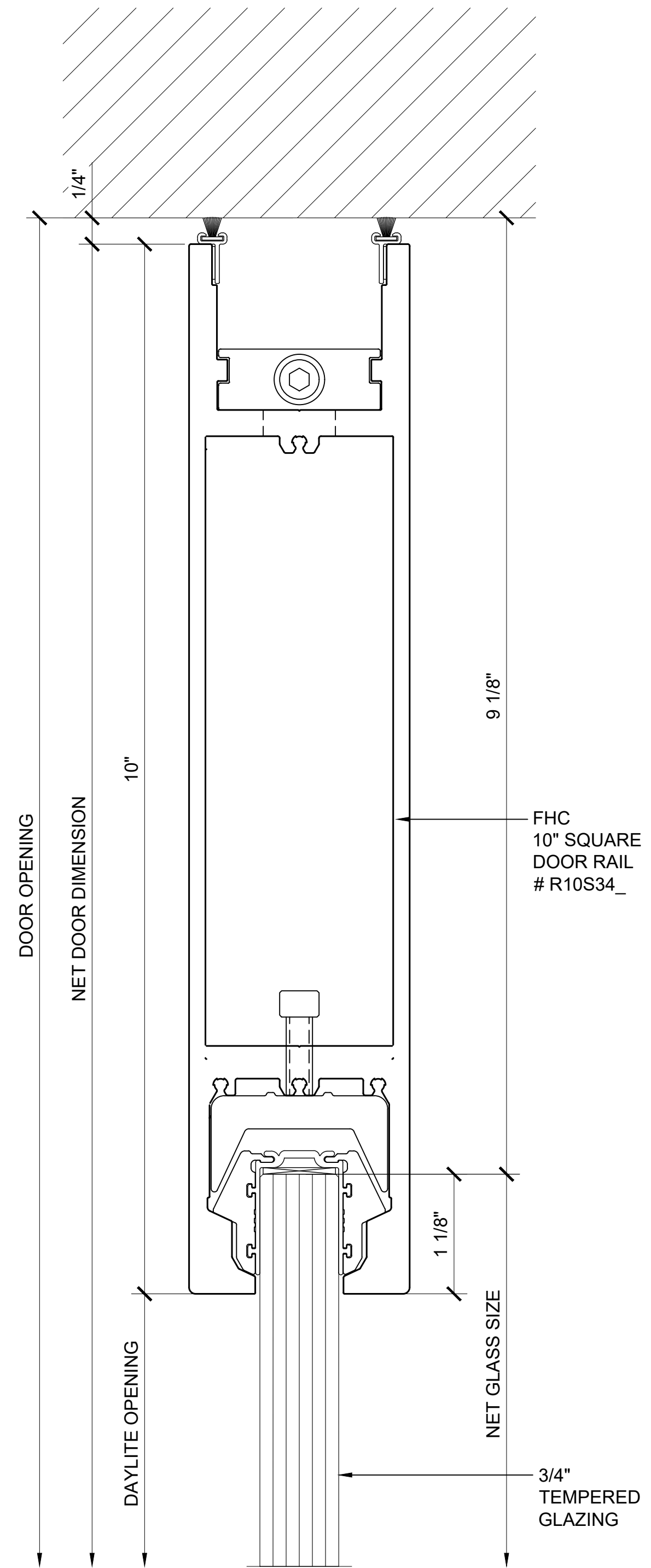
① HEAD DETAIL (CLAD)

ARCH REF: 1'-0"=1'-0"



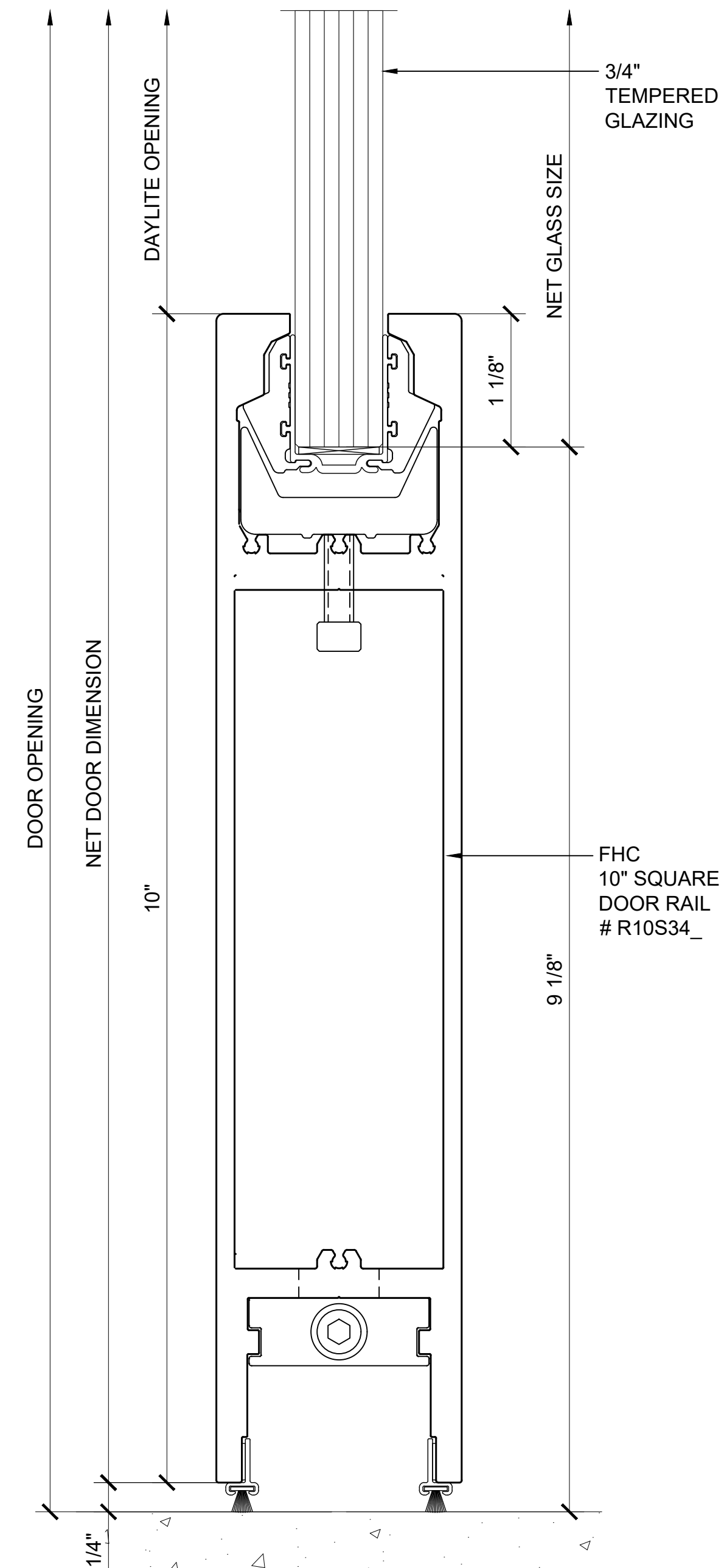
② SILL DETAIL (CLAD)

ARCH REF: 1'-0"=1'-0"



③ HEAD DETAIL

ARCH REF: 1'-0"=1'-0"



④ SILL DETAIL

ARCH REF: 1'-0"=1'-0"

Architect:

Phone:
Fax:
Contact:

Job Name:

Phone:
Fax:
Contact:

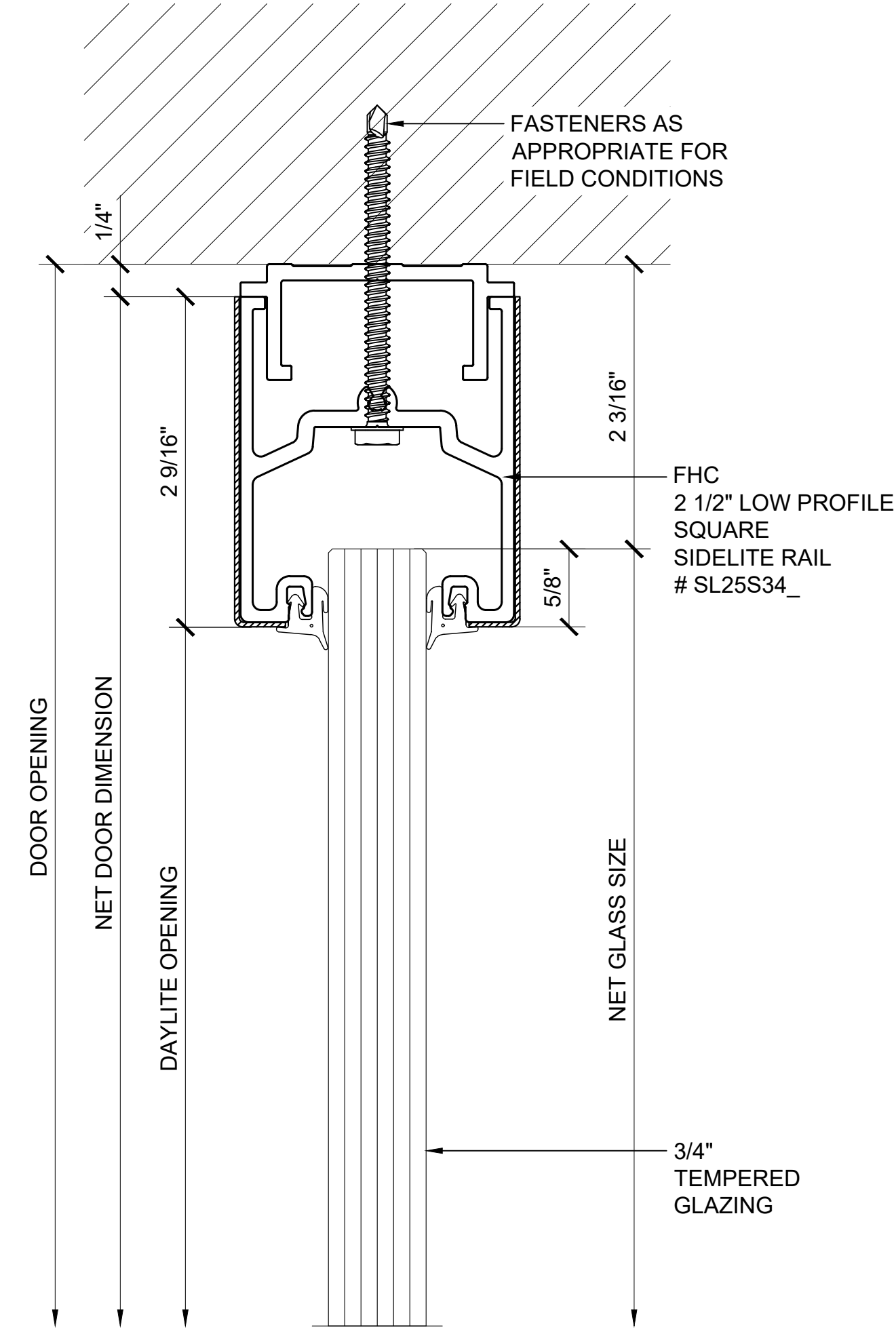
Customer:

Phone:
Fax:
Contact:

REV#	DATE	DRAWN BY
0	10/30/20	JPL
1		
2		
3		
4		
5		
6		

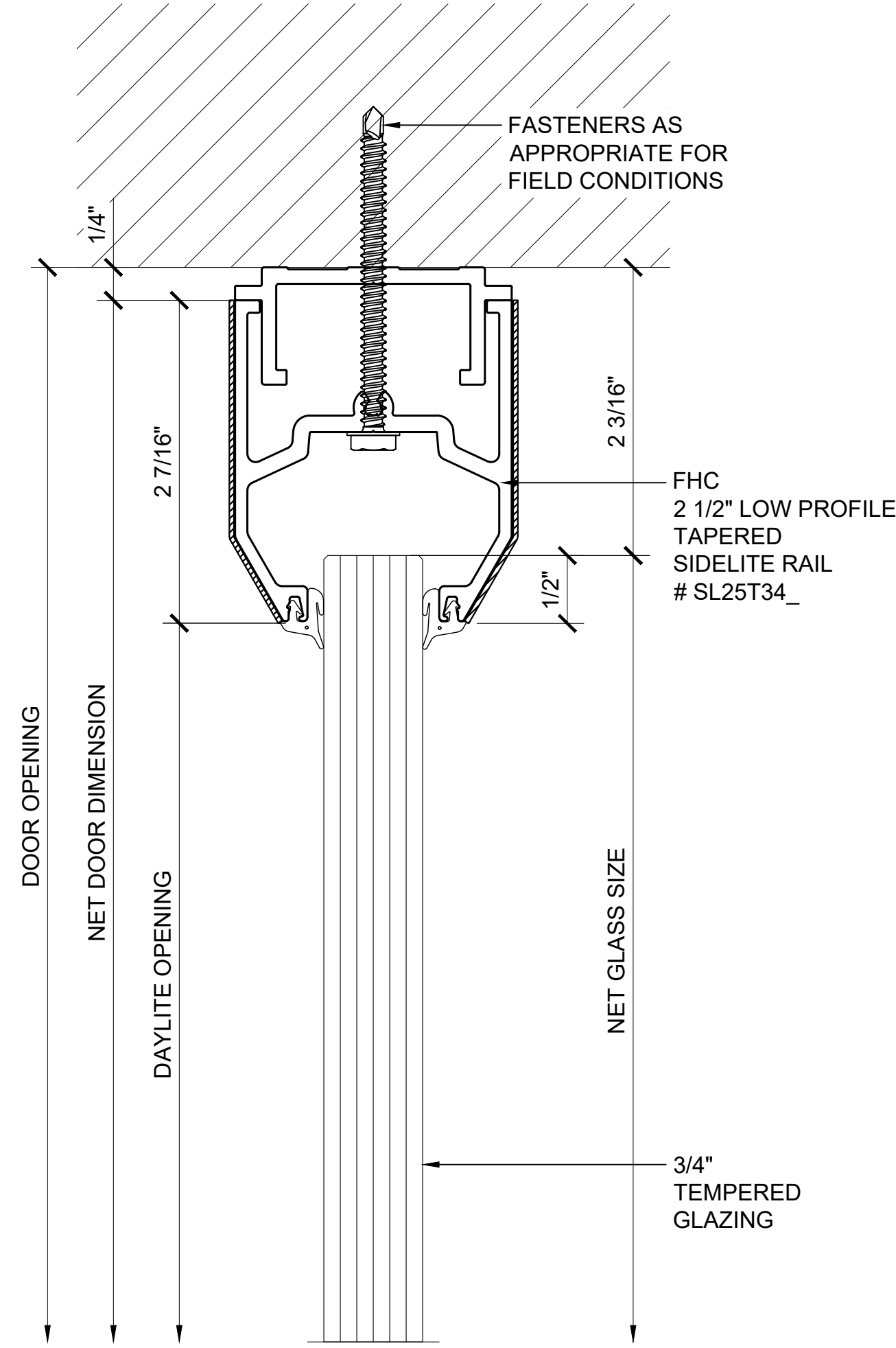
Drawn By: JPL
 Checked By: PM
 Date: 00/00/20
 Scale: AS NOTED
 Project #: 000000

Sheet No.



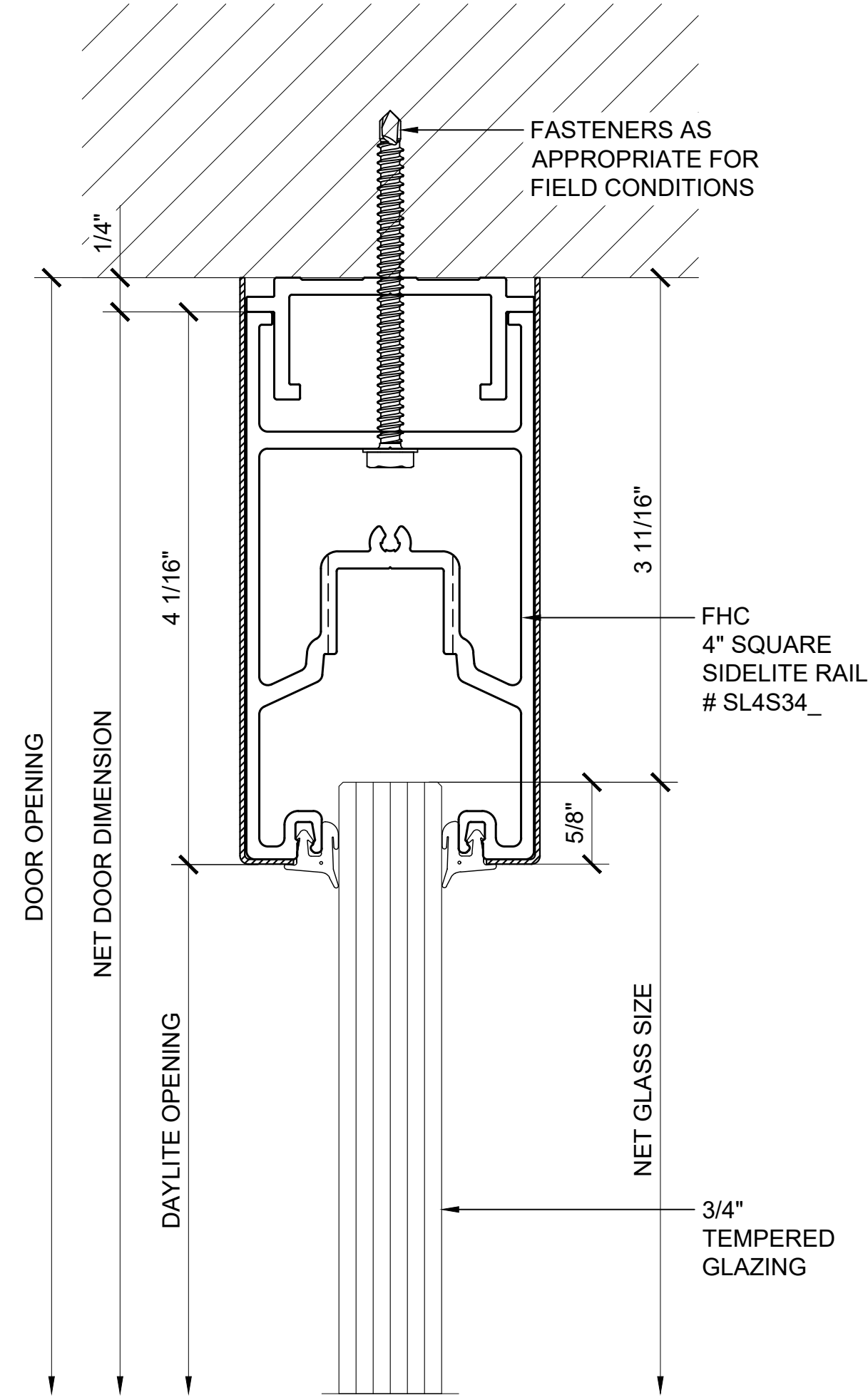
1 HEAD DETAIL

ARCH REF: 1'-0"=1'-0"



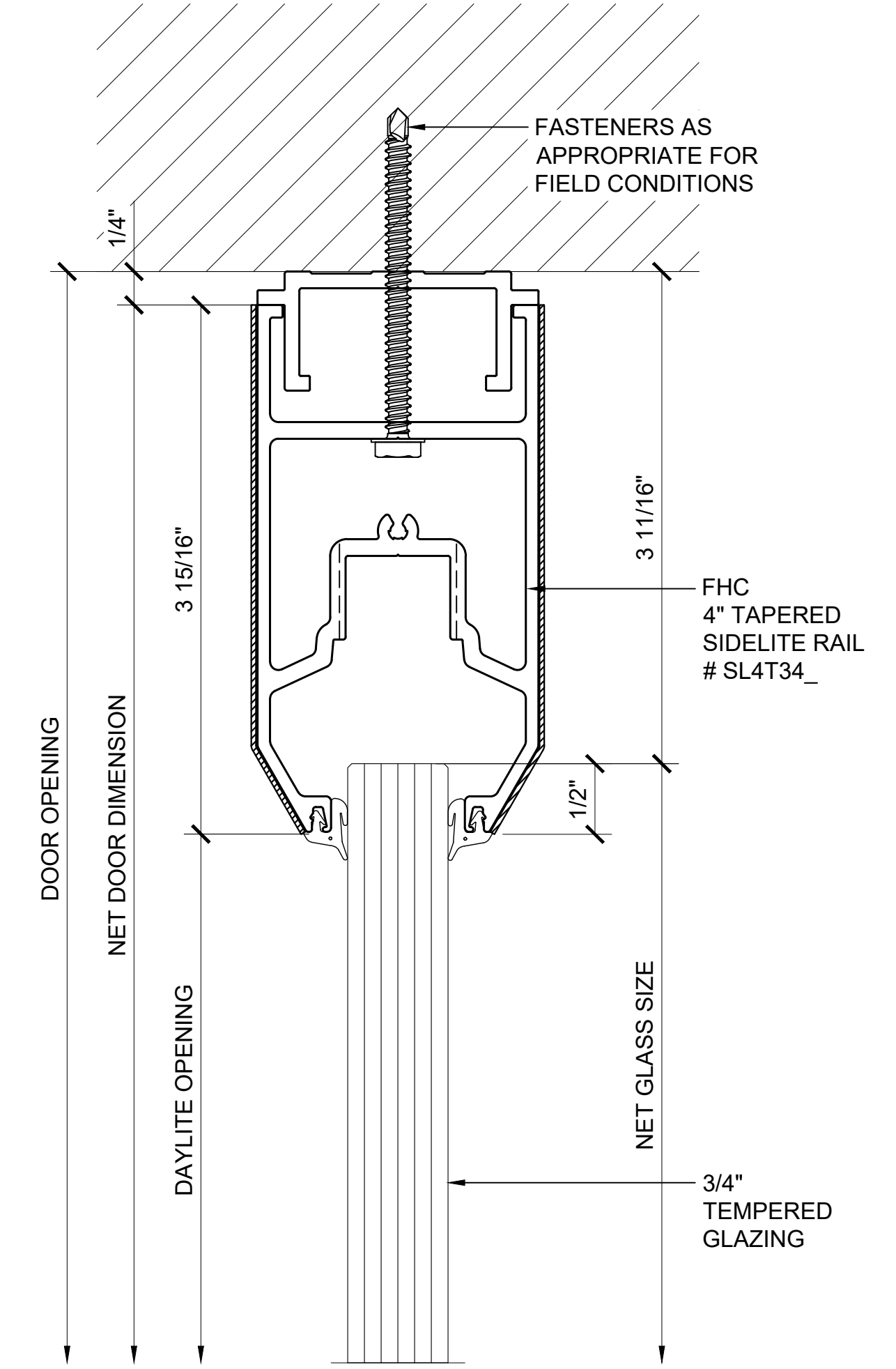
3 HEAD DETAIL

ARCH REF: 1'-0"=1'-0"



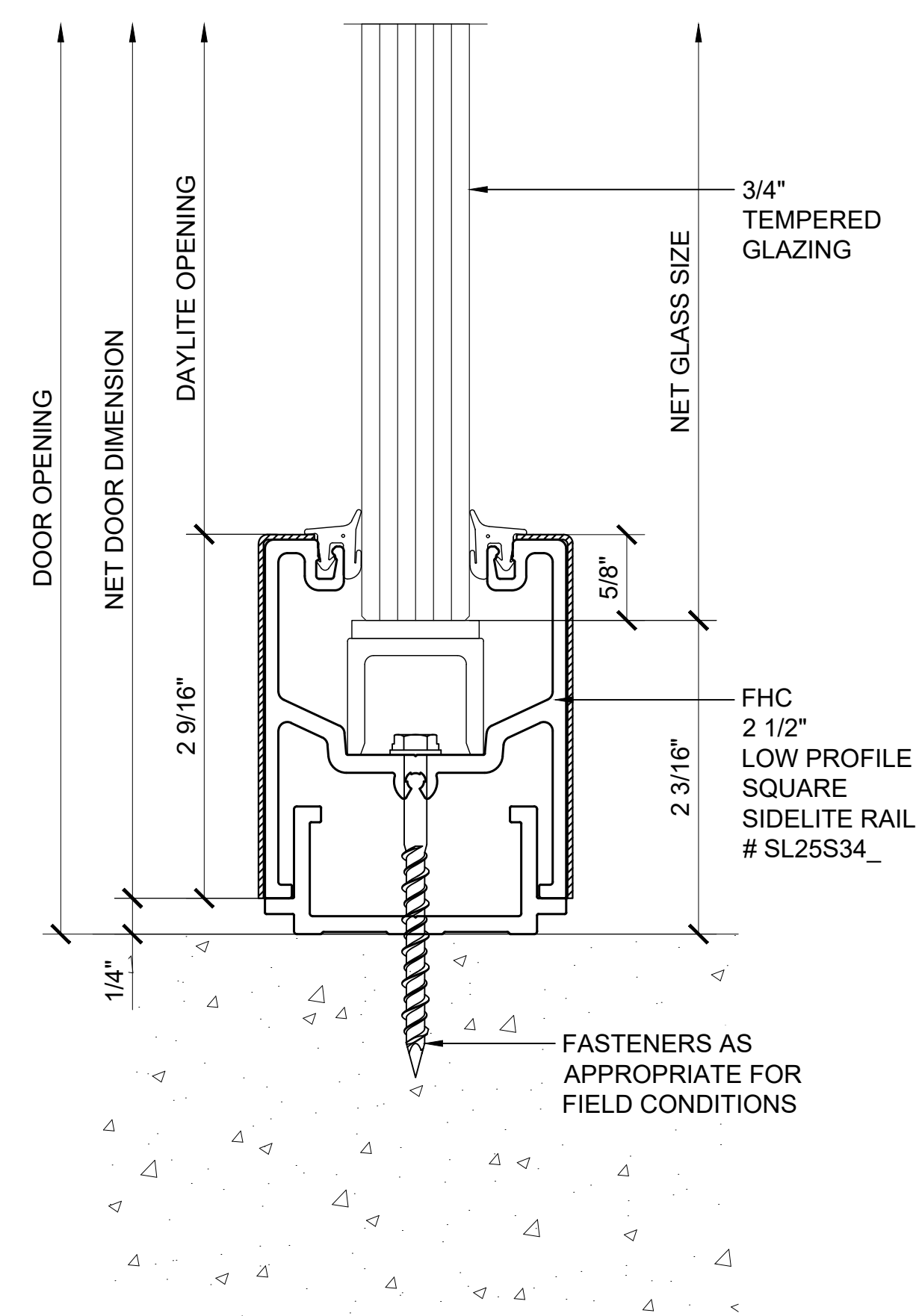
5 HEAD DETAIL

ARCH REF: 1'-0"=1'-0"



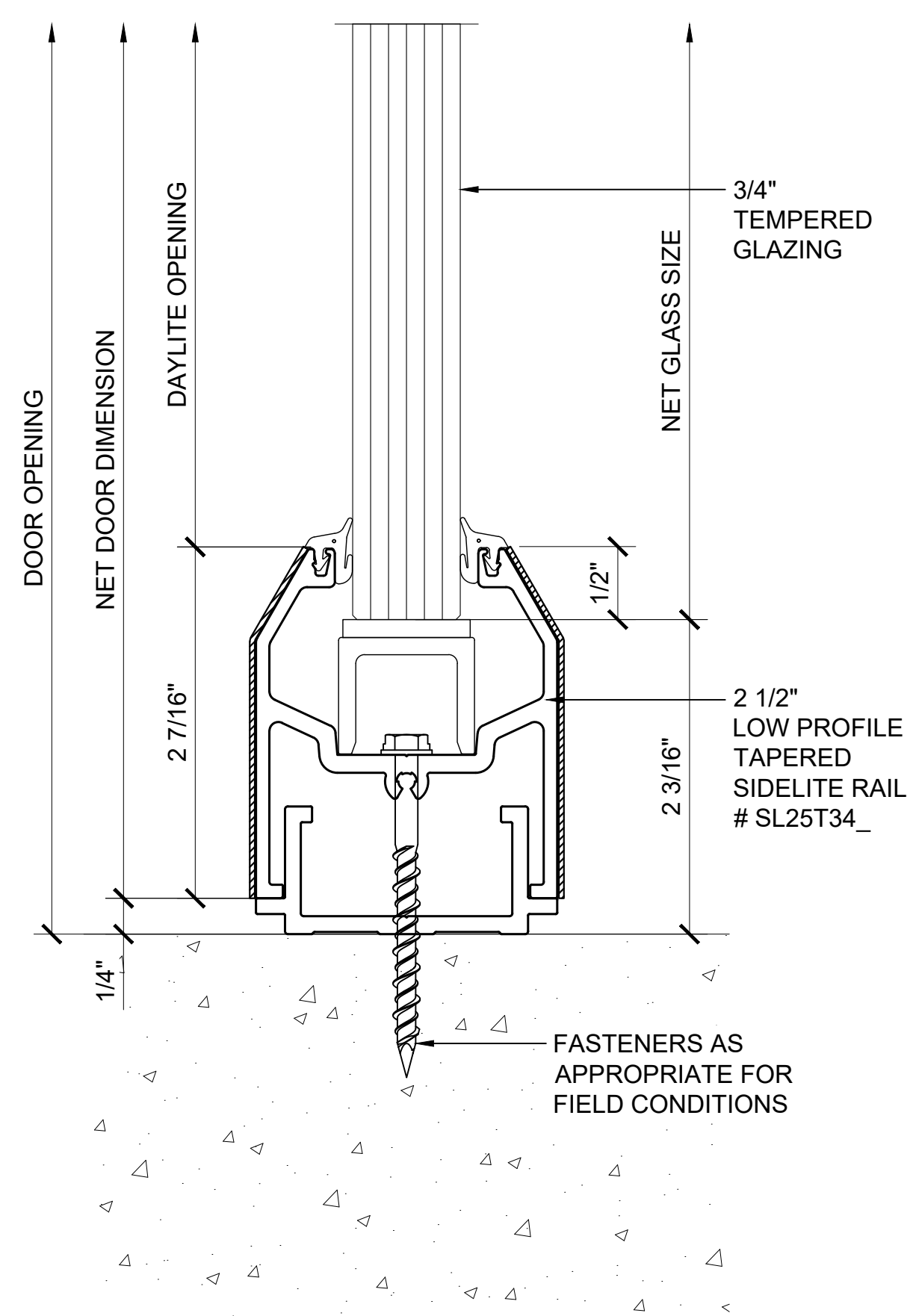
7 HEAD DETAIL

ARCH REF: 1'-0"=1'-0"



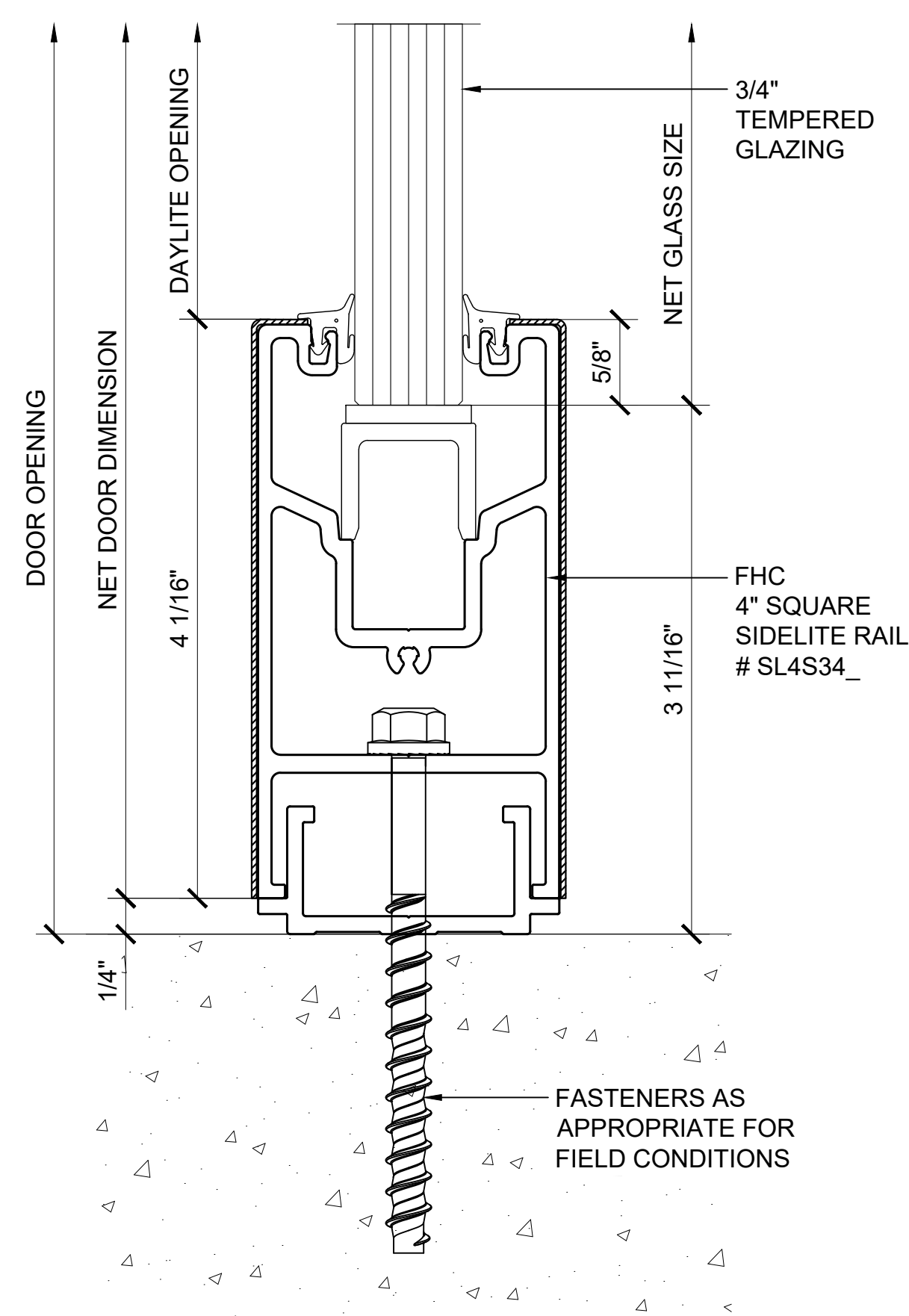
2 SILL DETAIL

ARCH REF: 1'-0"=1'-0"



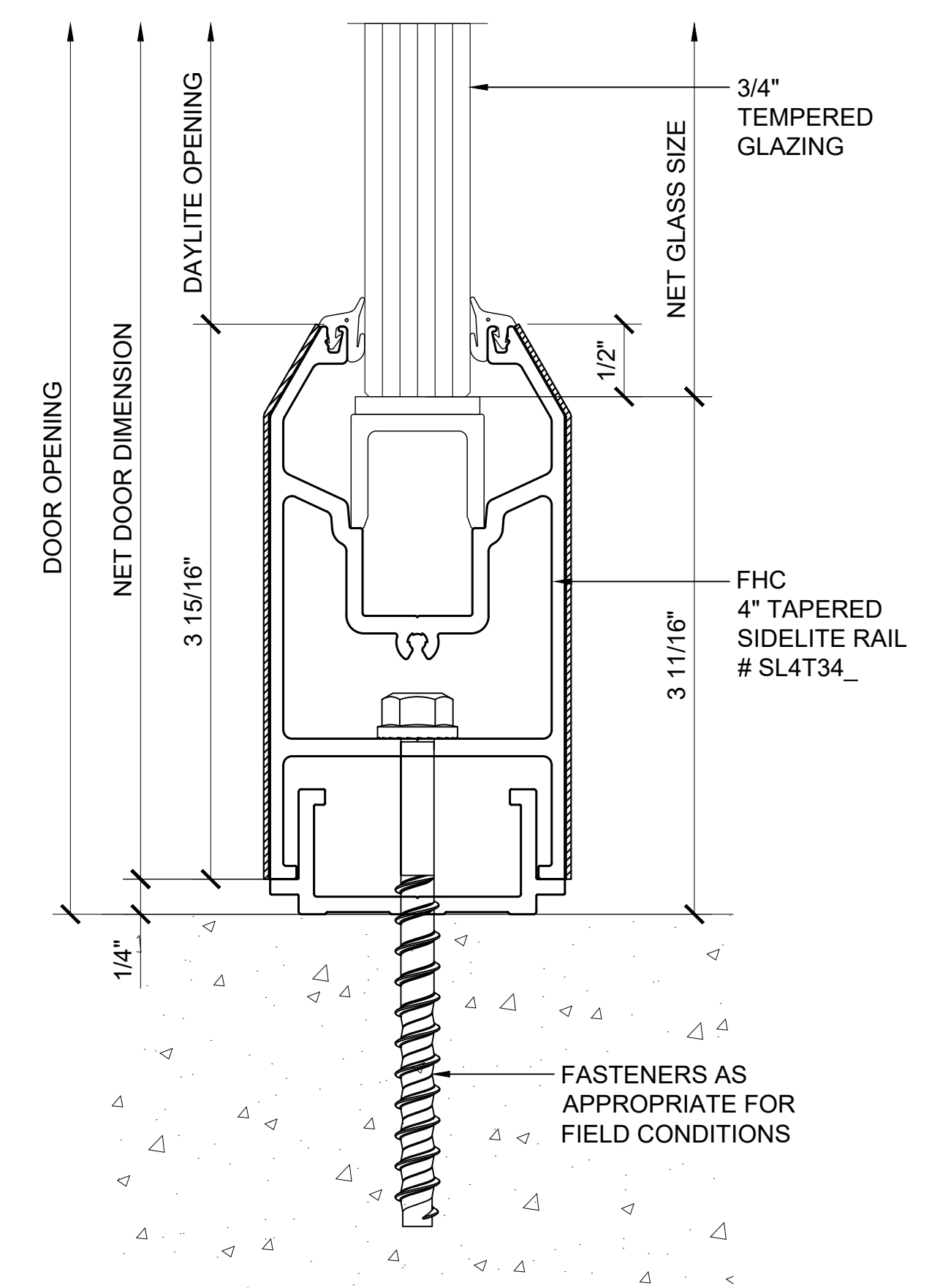
4 SILL DETAIL

ARCH REF: 1'-0"=1'-0"



6 SILL DETAIL

ARCH REF: 1'-0"=1'-0"



8 SILL DETAIL

ARCH REF: 1'-0"=1'-0"

Architect: _____
 Phone: _____
 Fax: _____
 Contact: _____

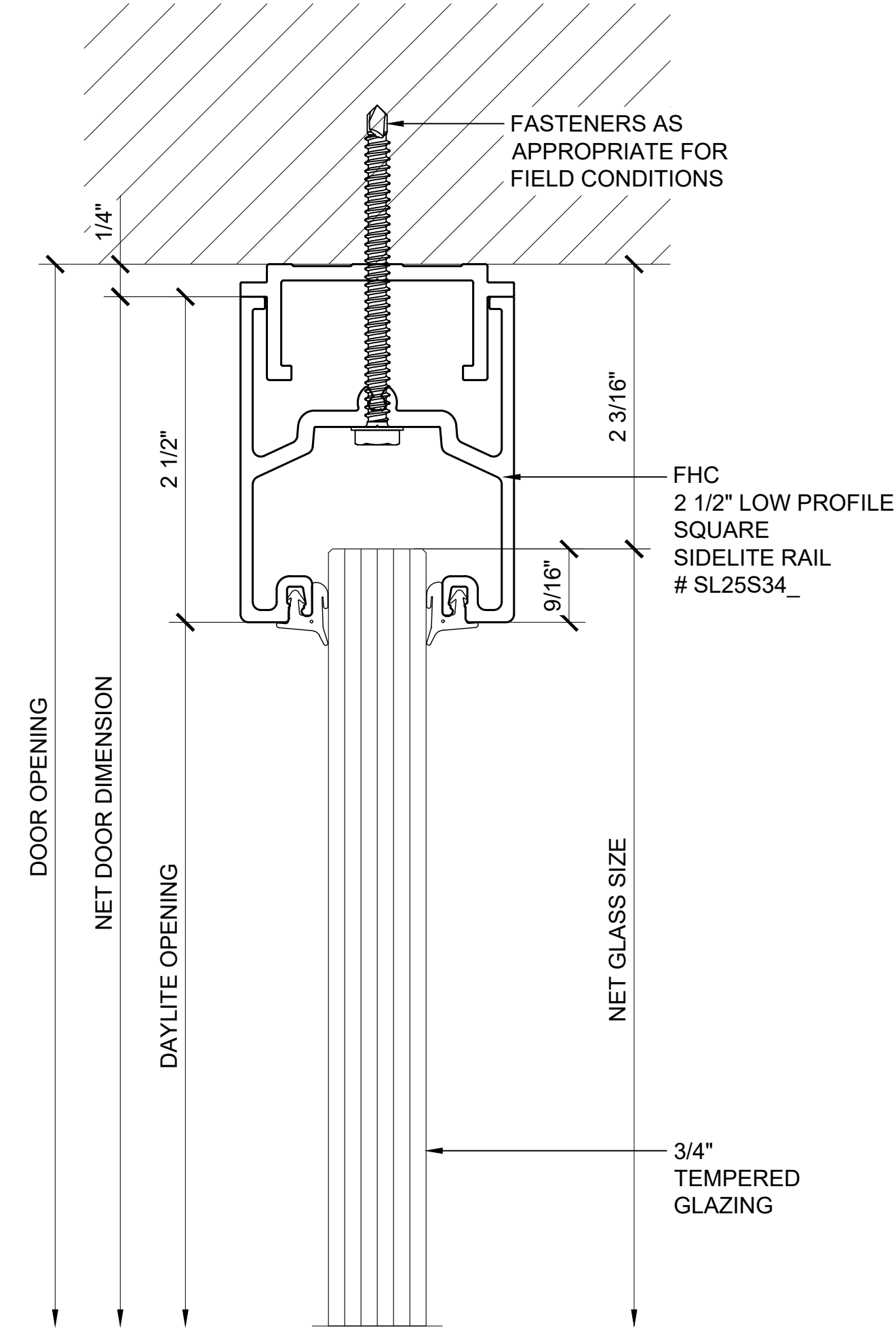
Job Name: _____
 Phone: _____
 Fax: _____
 Contact: _____

Customer: _____
 Phone: _____
 Fax: _____
 Contact: _____

REV#	DATE	DRAWN BY
0	10/30/20	JPL
1		
2		
3		
4		
5		
6		

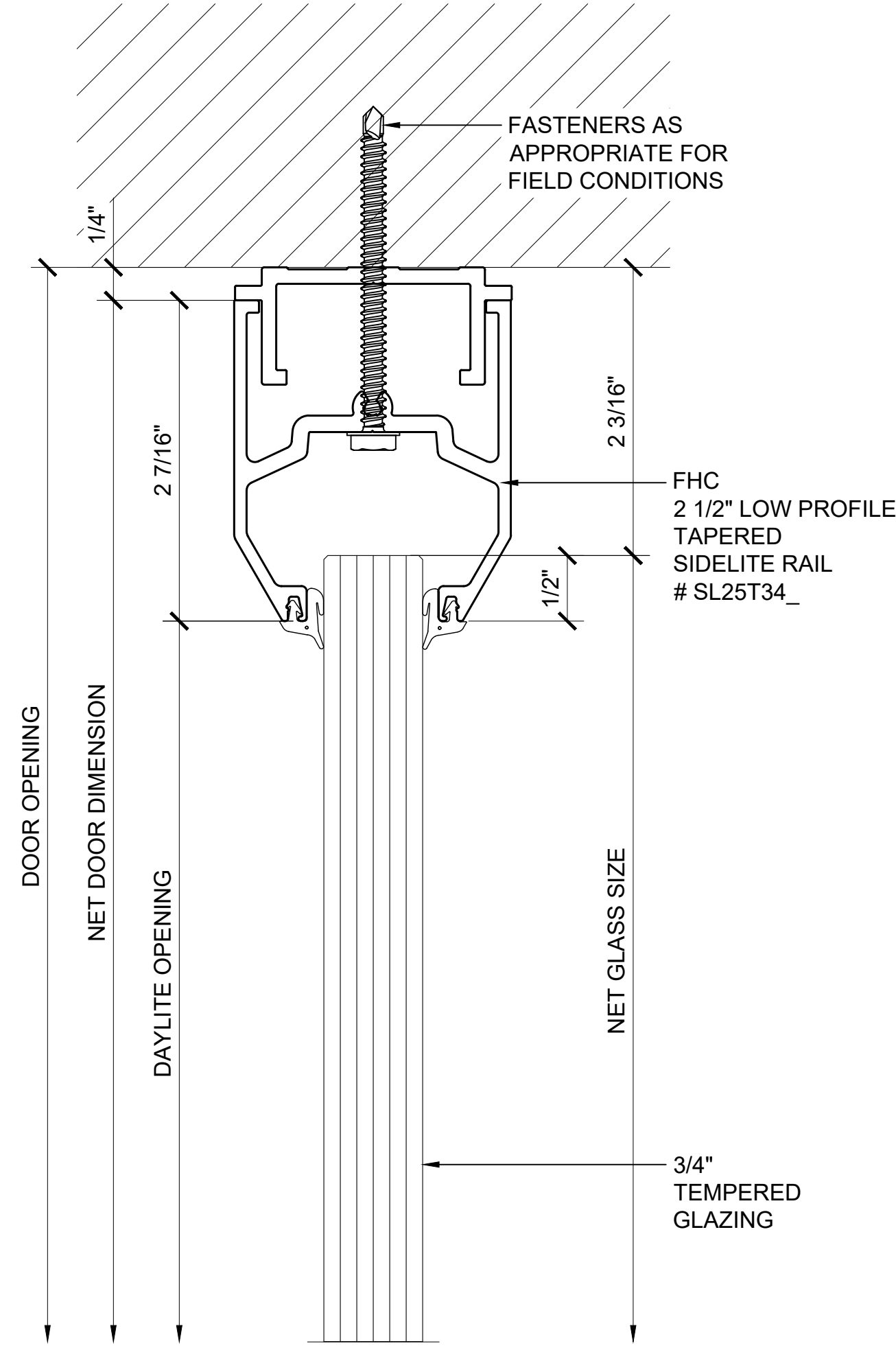
Drawn By: JPL
 Checked By: PM
 Date: 00/00/20
 Scale: AS NOTED
 Project #: 000000

Sheet No.



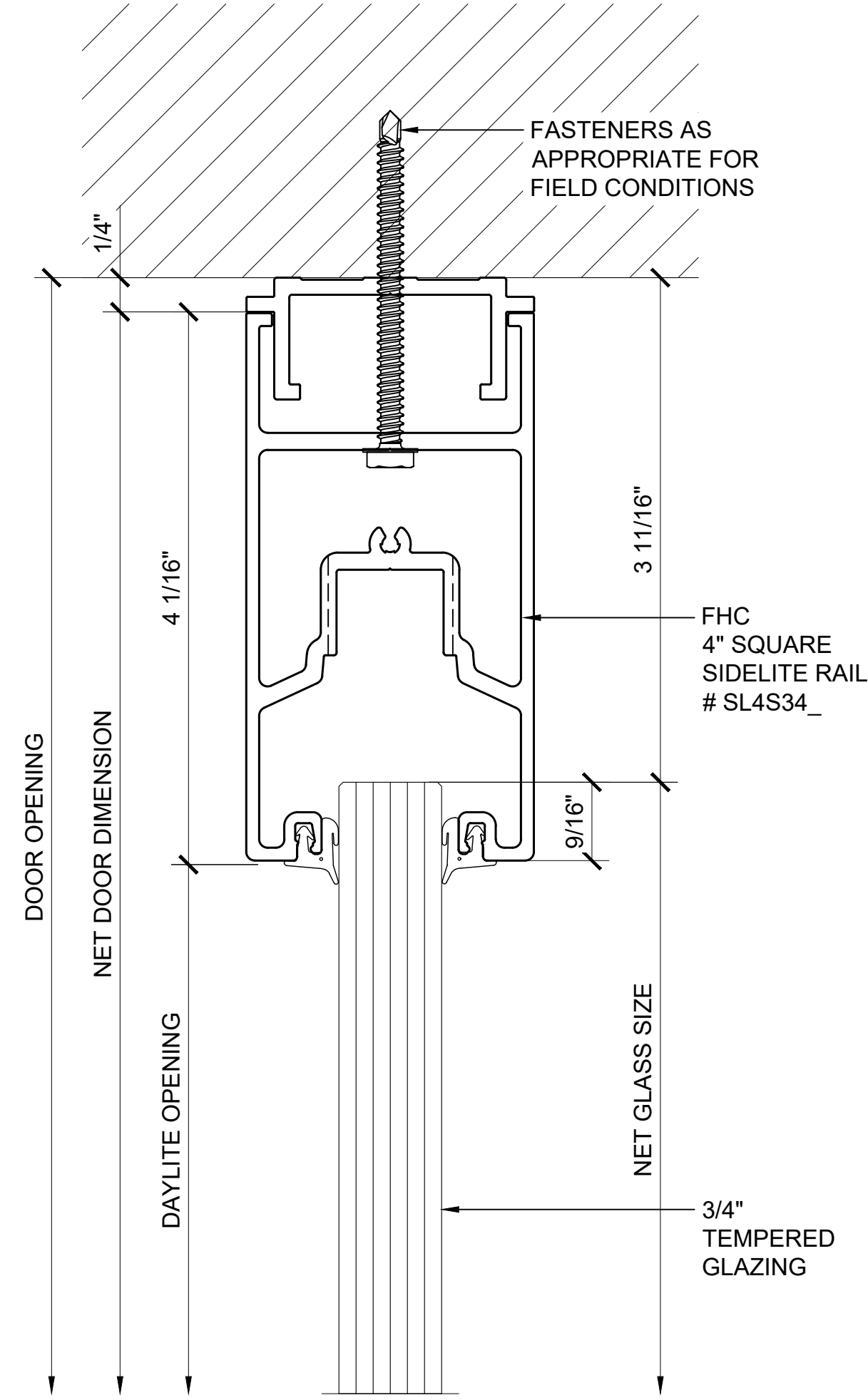
1 HEAD DETAIL

ARCH REF: 1'-0"=1'-0"



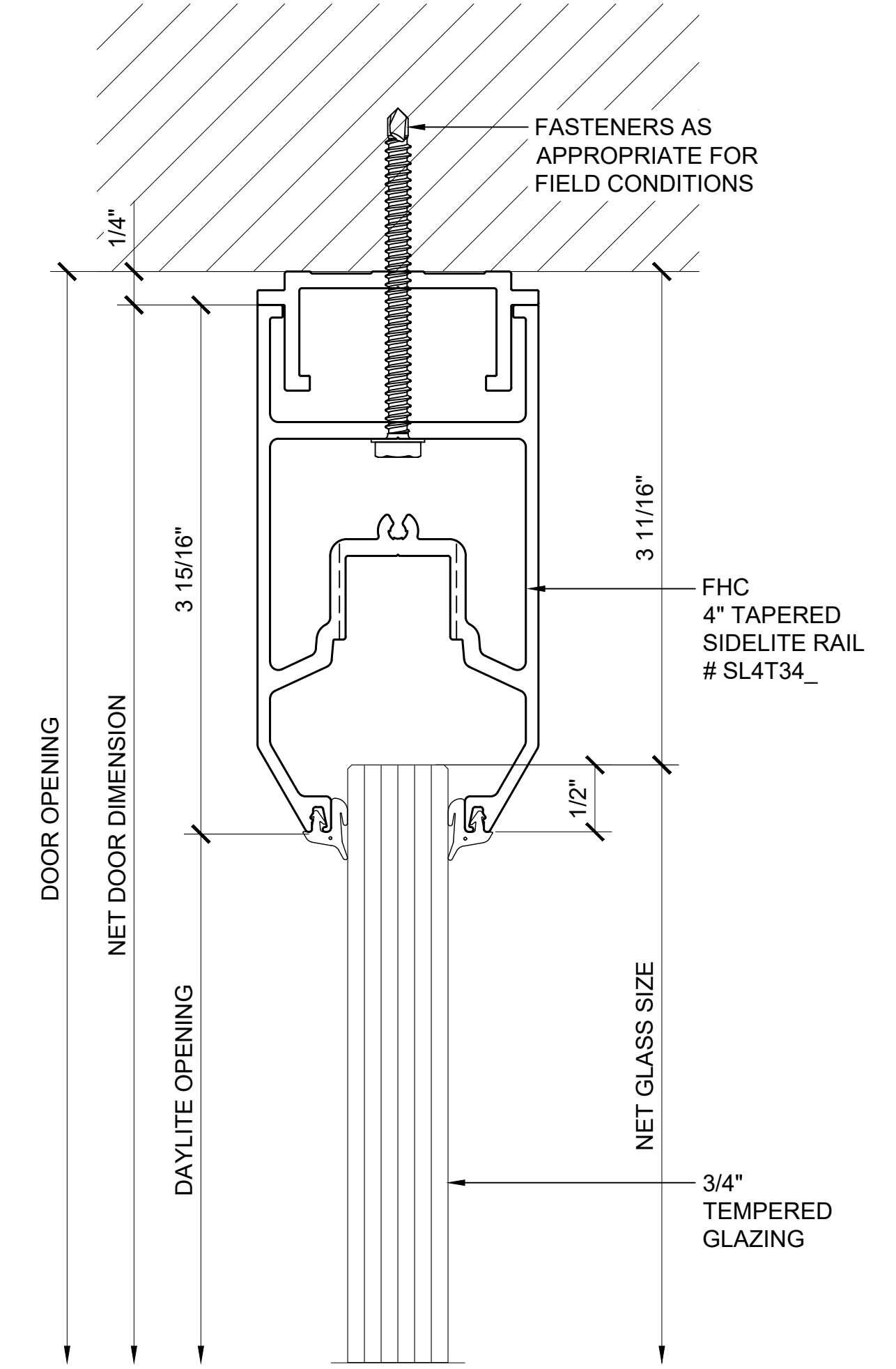
3 HEAD DETAIL

ARCH REF: 1'-0"=1'-0"



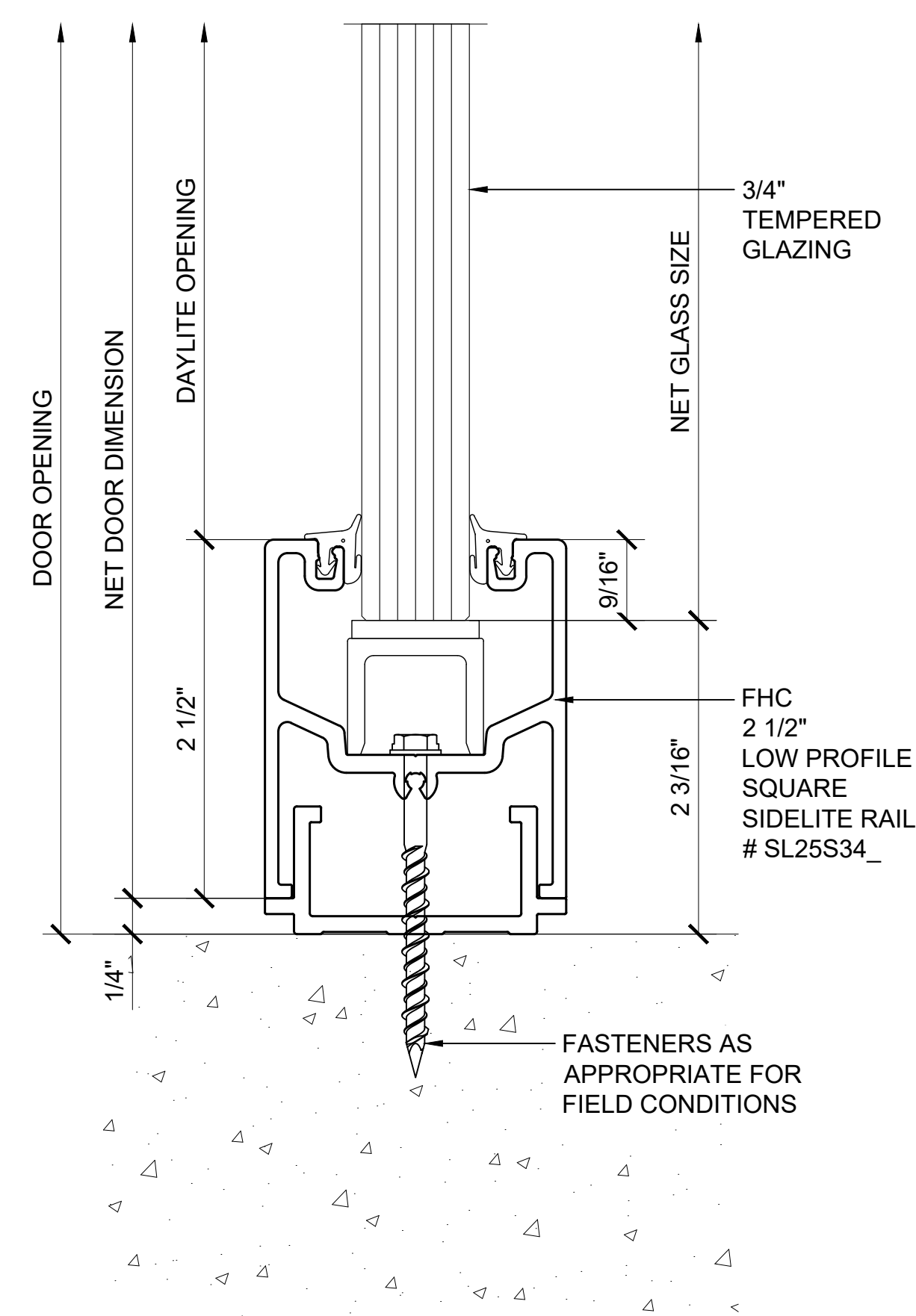
5 HEAD DETAIL

ARCH REF: 1'-0"=1'-0"



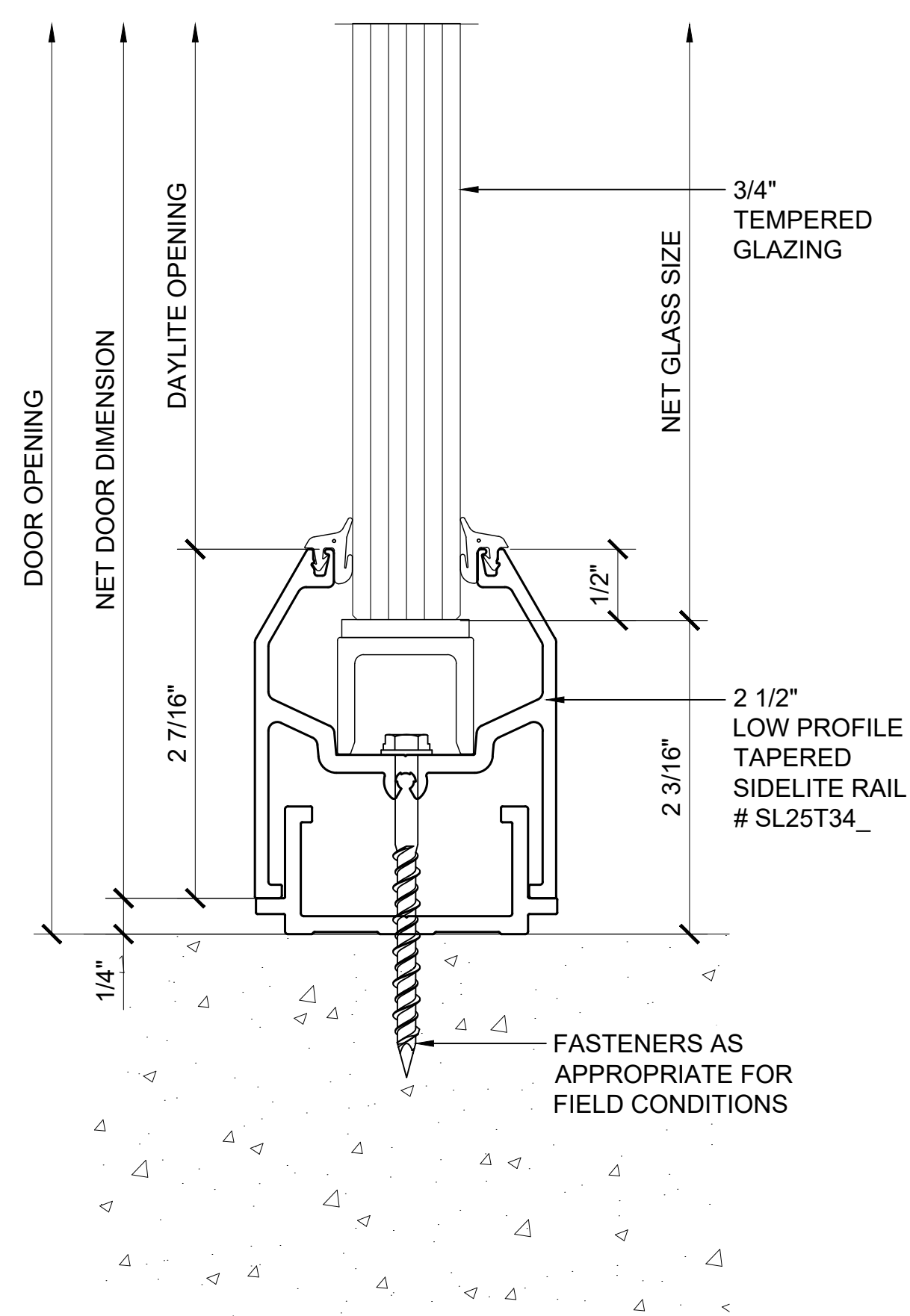
7 HEAD DETAIL

ARCH REF: 1'-0"=1'-0"



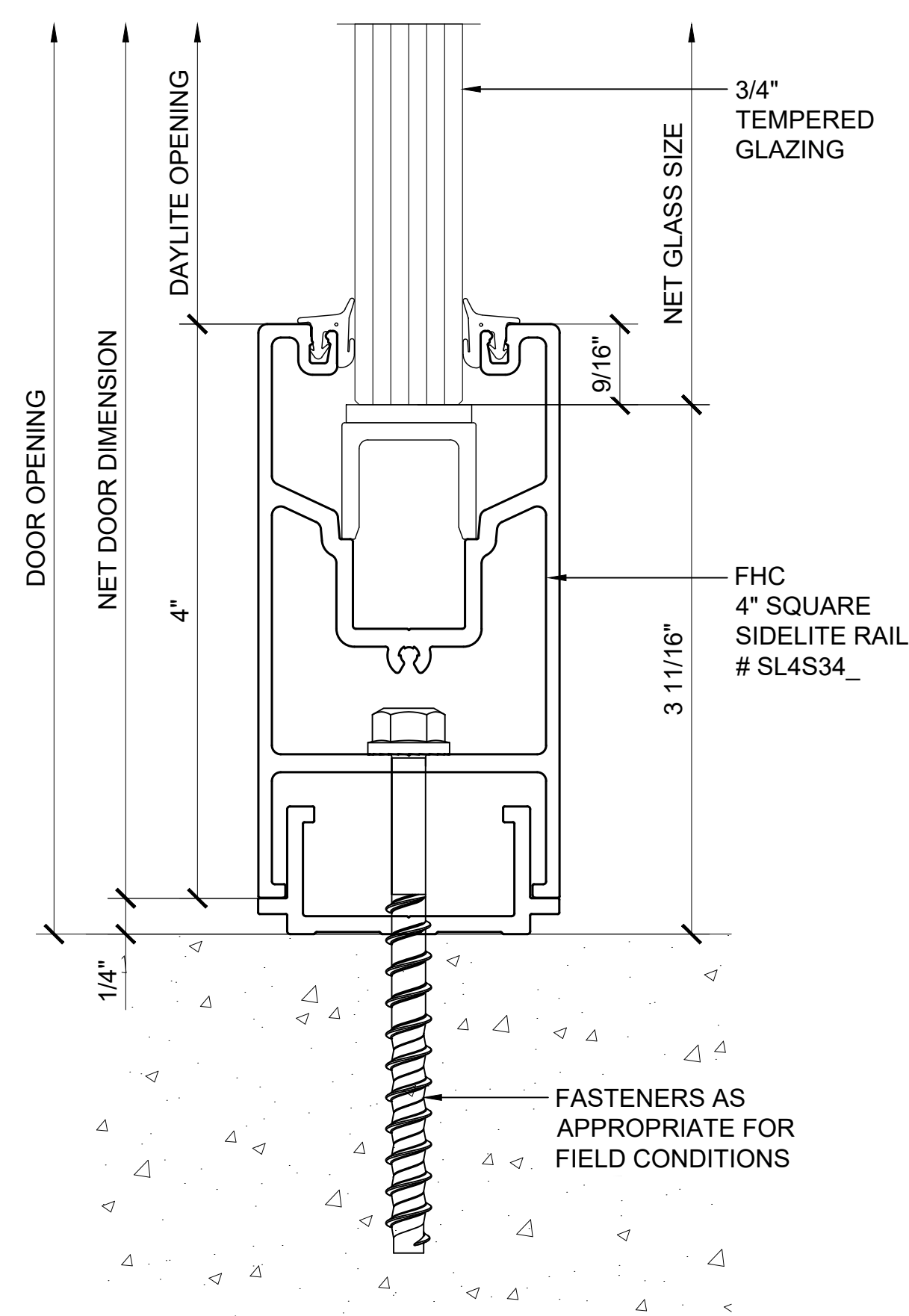
2 SILL DETAIL

ARCH REF: 1'-0"=1'-0"



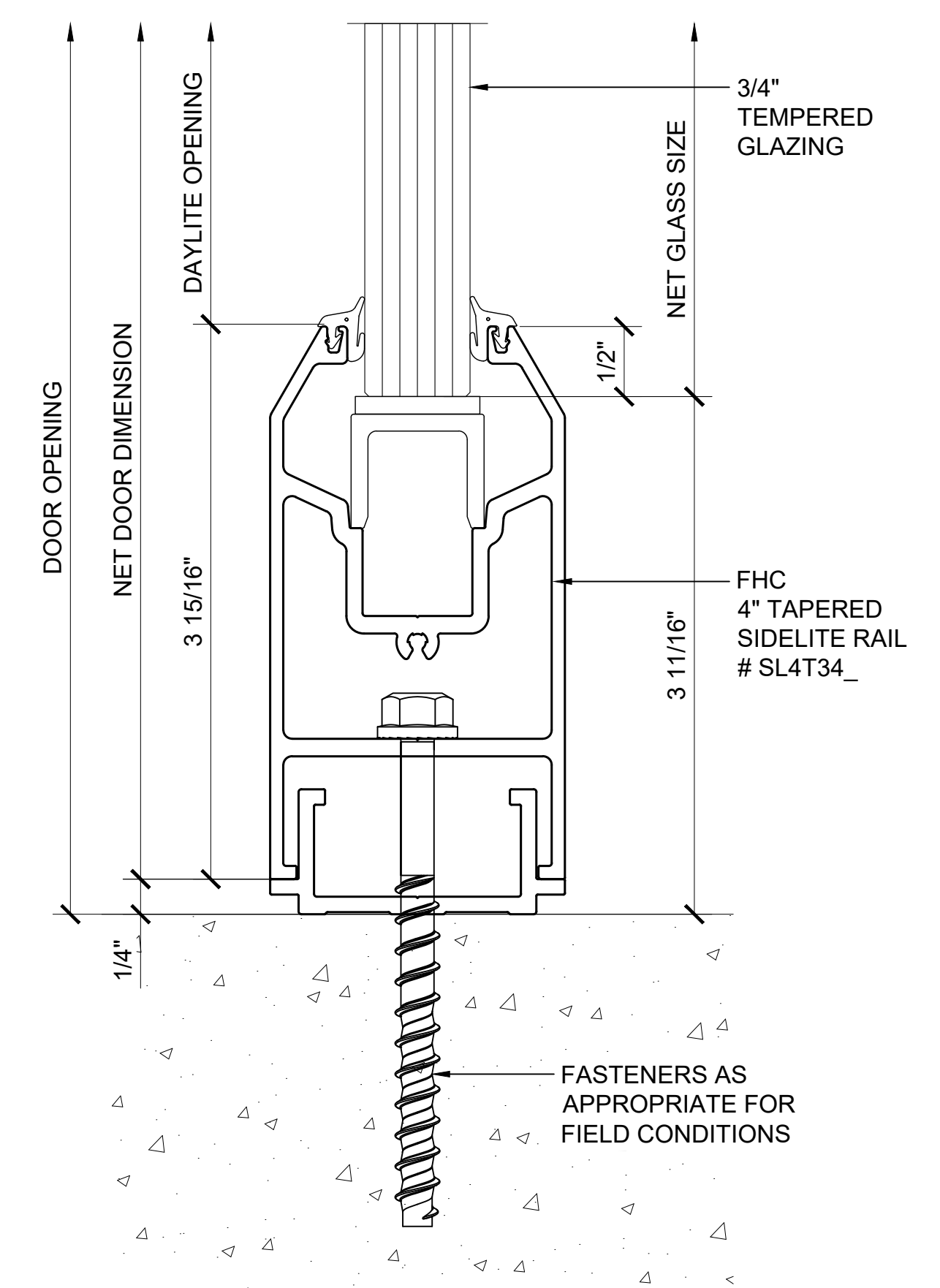
4 SILL DETAIL

ARCH REF: 1'-0"=1'-0"



6 SILL DETAIL

ARCH REF: 1'-0"=1'-0"



8 SILL DETAIL

ARCH REF: 1'-0"=1'-0"

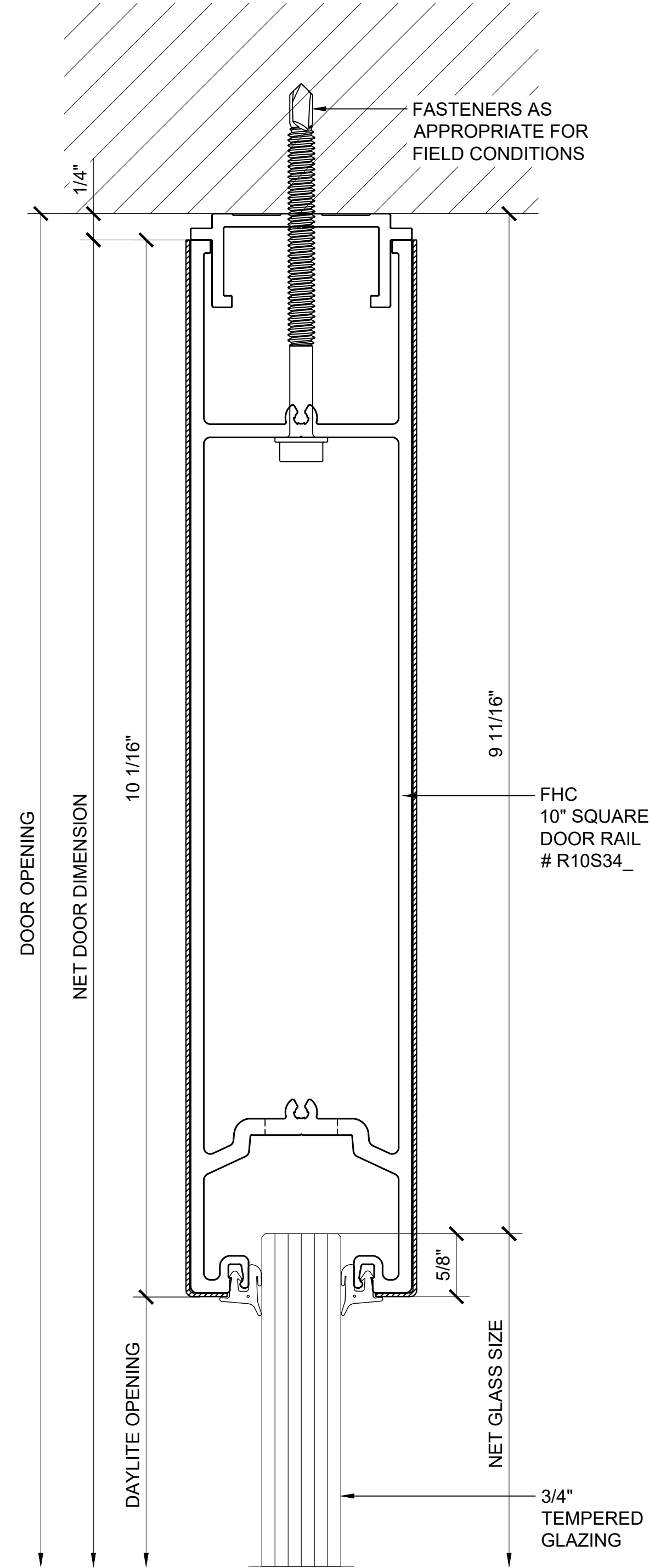
Architect: _____
 Phone: _____
 Fax: _____
 Contact: _____

Job Name: _____
 Phone: _____
 Fax: _____
 Contact: _____

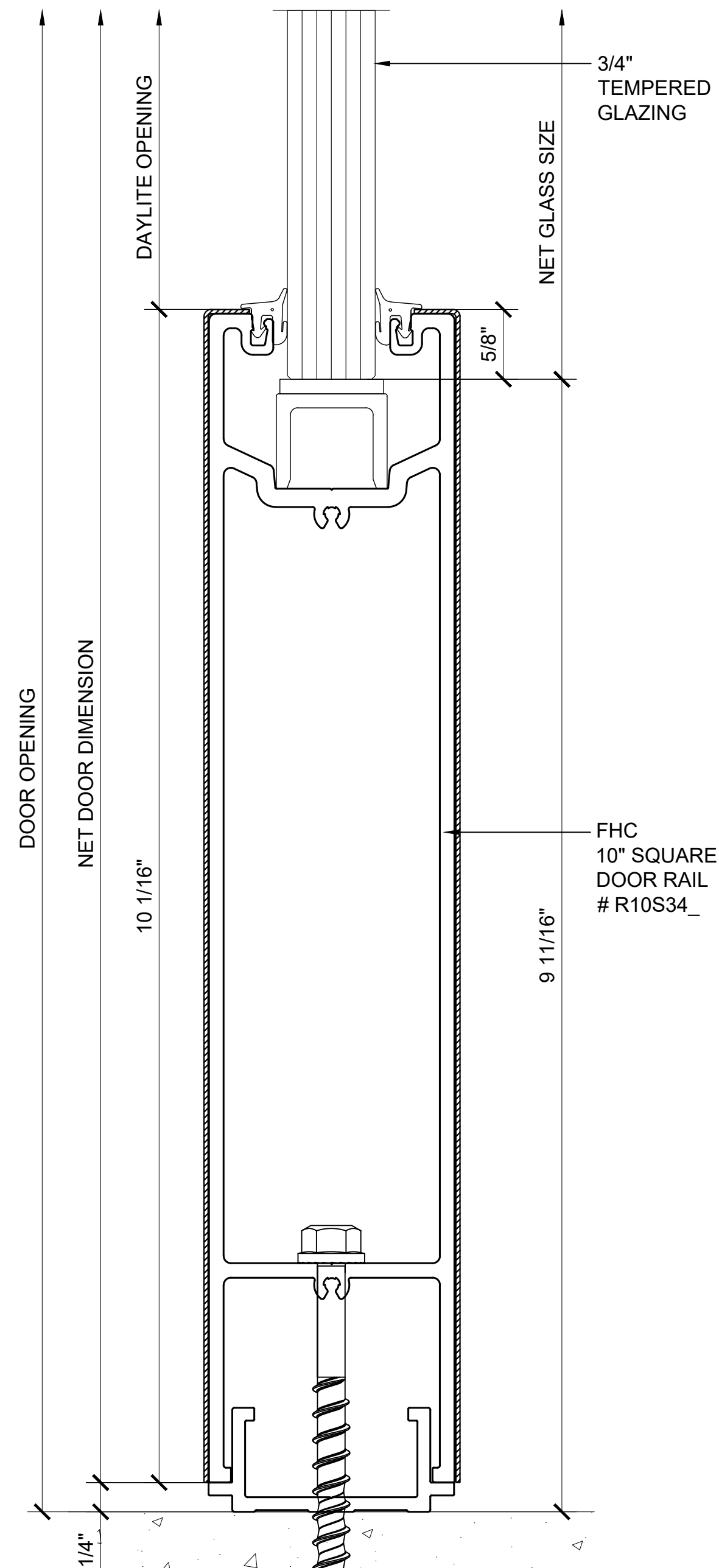
Customer: _____
 Phone: _____
 Fax: _____
 Contact: _____

REV#	DATE	DRAWN BY
0	10/30/20	JPL
1		
2		
3		
4		
5		
6		

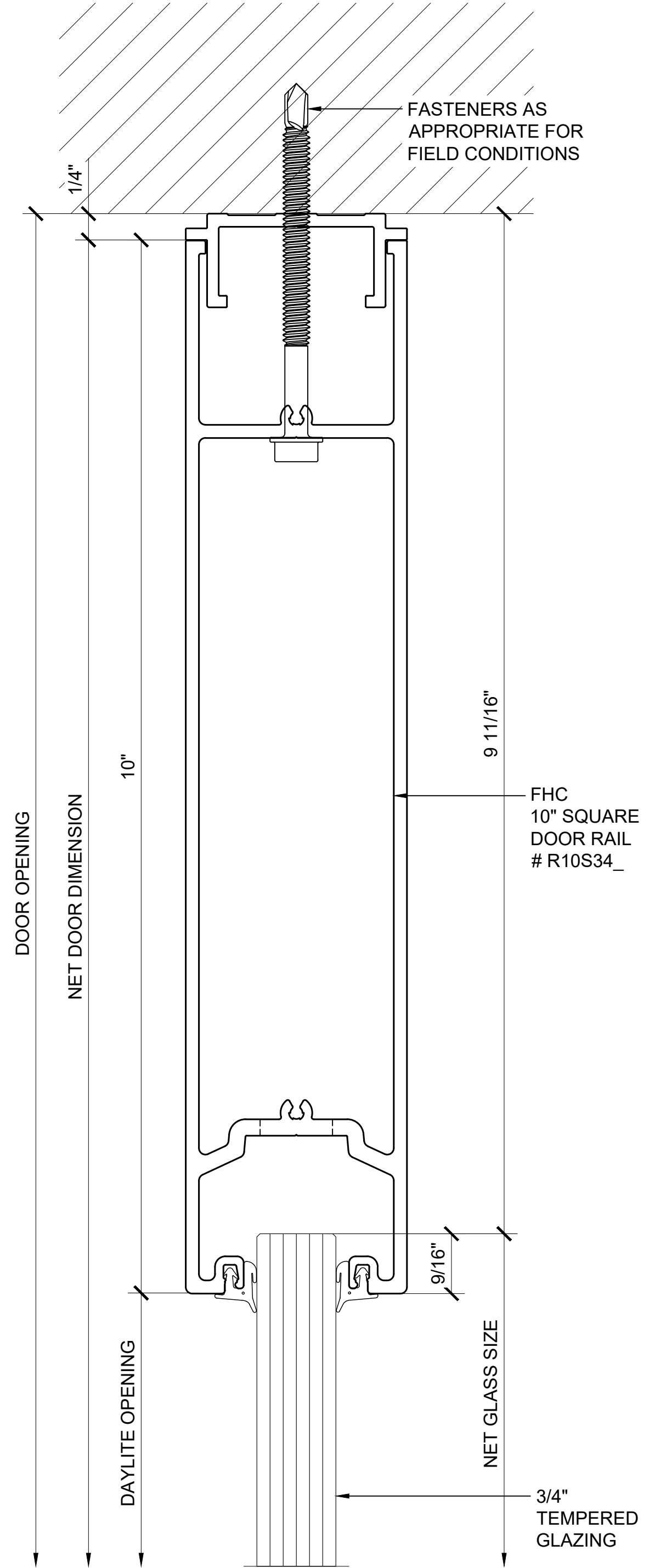
Drawn By: JPL
 Checked By: PM
 Date: 00/00/20
 Scale: AS NOTED
 Project #: 000000



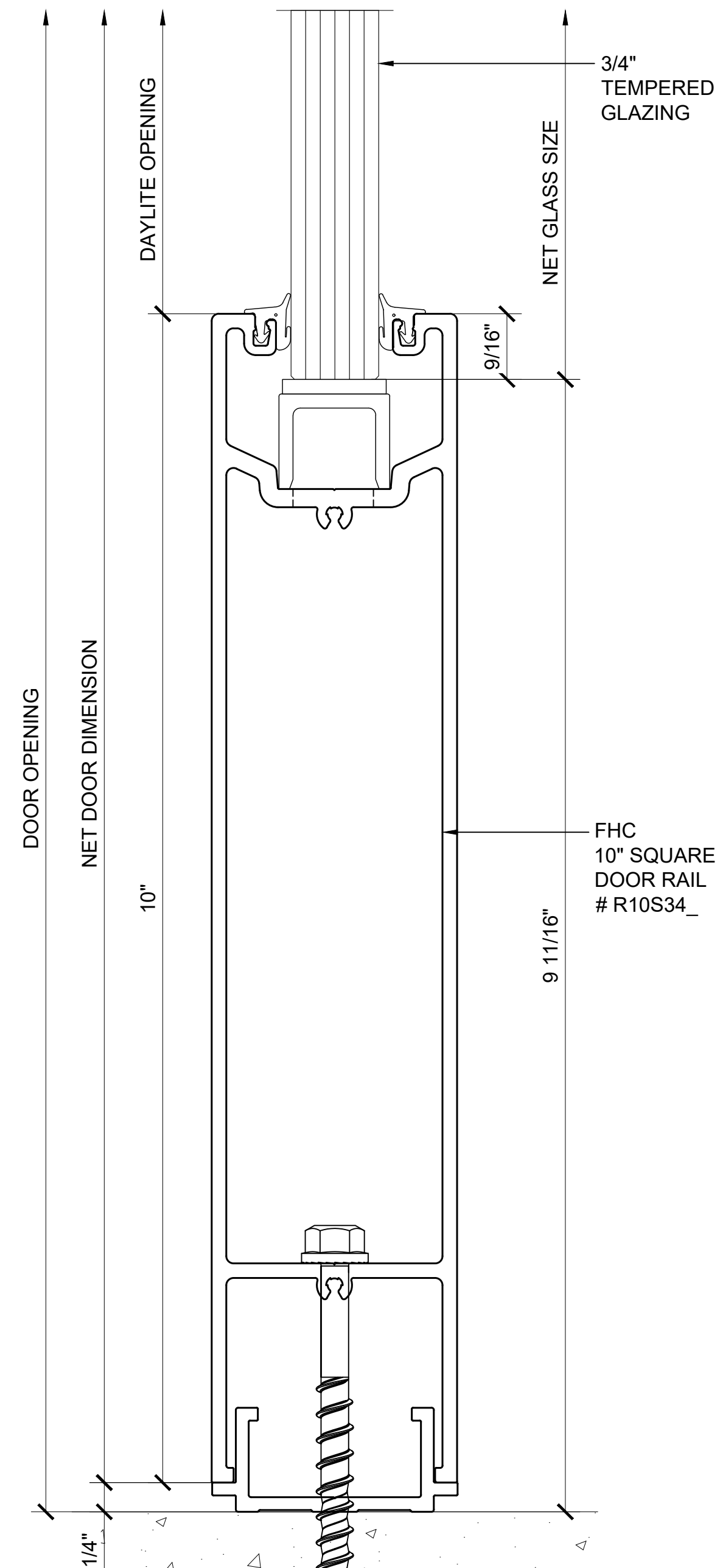
① HEAD DETAIL (CLAD)
ARCH REF: 1'-0"=1'-0"



② SILL DETAIL (CLAD)
ARCH REF: 1'-0"=1'-0"



③ HEAD DETAIL
ARCH REF: 1'-0"=1'-0"



④ SILL DETAIL
ARCH REF: 1'-0"=1'-0"

Architect: _____ Phone: _____
Fax: _____ Contact: _____

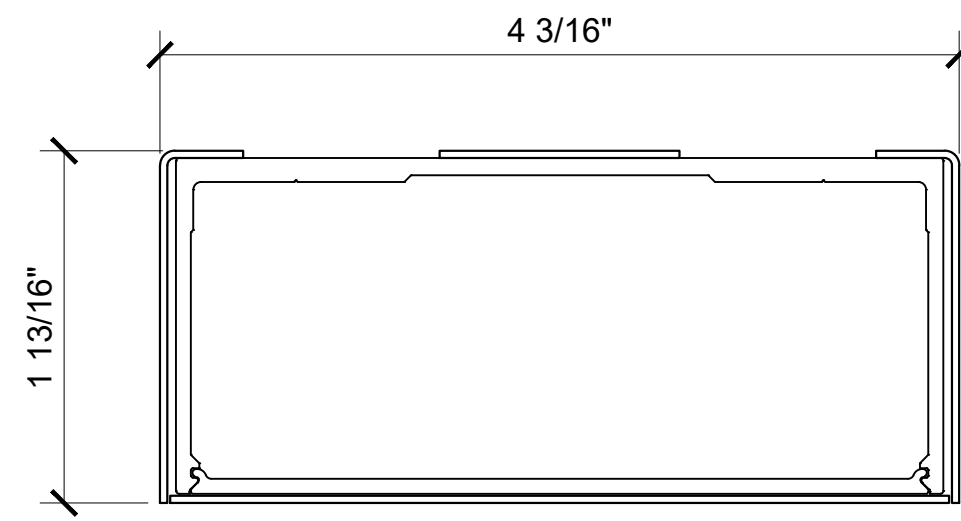
Job Name: _____ Phone: _____
Fax: _____ Contact: _____

Customer: _____ Phone: _____
Fax: _____ Contact: _____

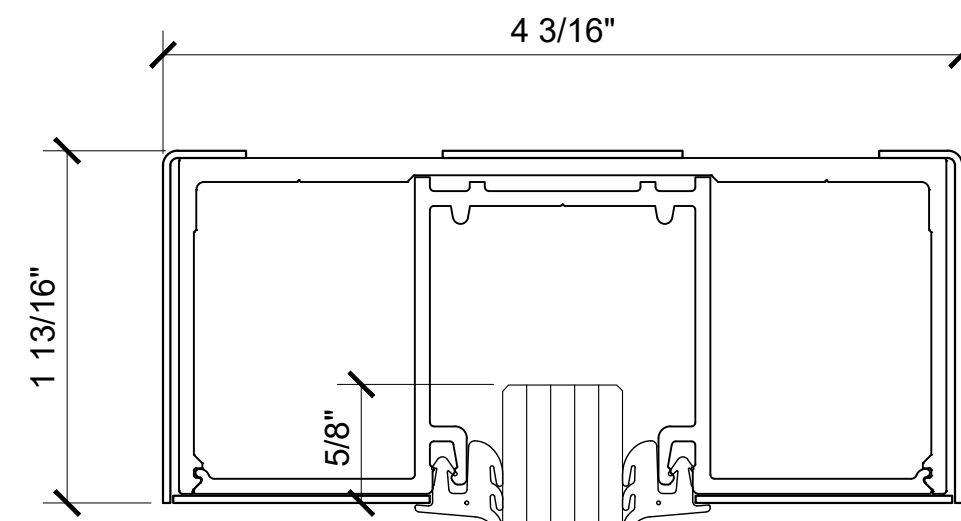
REV#	DATE	DRAWN BY
0	10/30/20	JPL
1		
2		
3		
4		
5		
6		

Drawn By: JPL
Checked By: PM
Date: 00/00/20
Scale: AS NOTED
Project #: 000000

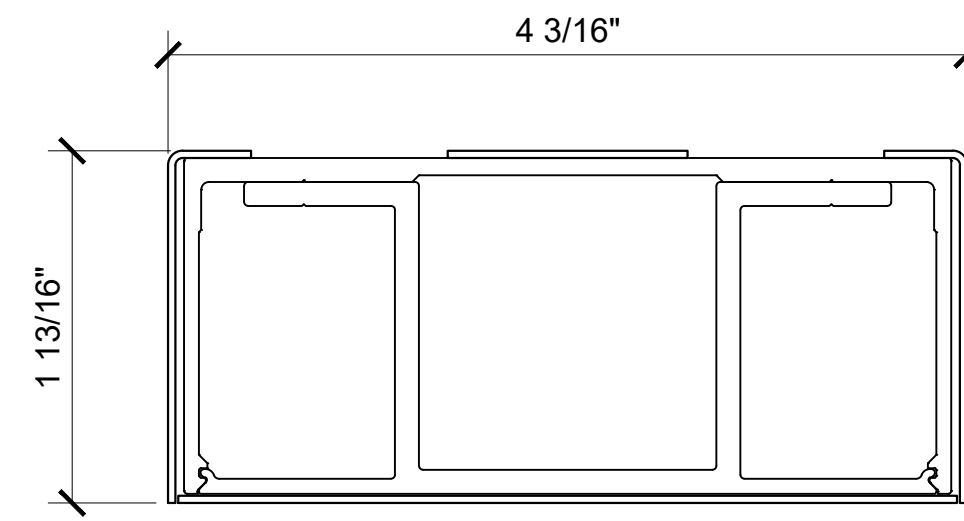
FHC STANDARD CLAD HEADER CONFIGURATIONS



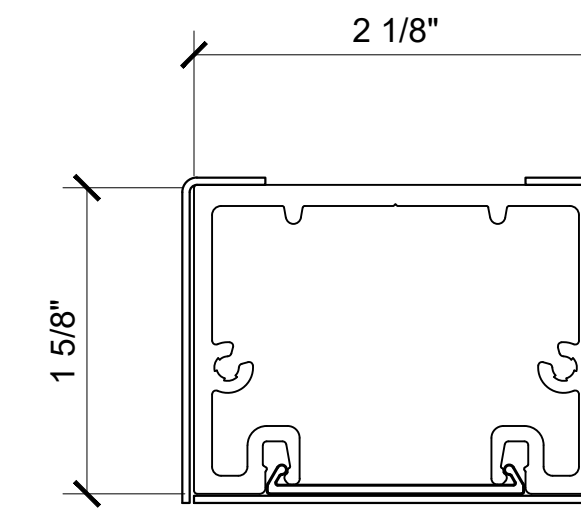
1 3/4" X 4" CLAD HEADER
FHC ITEM# H4_



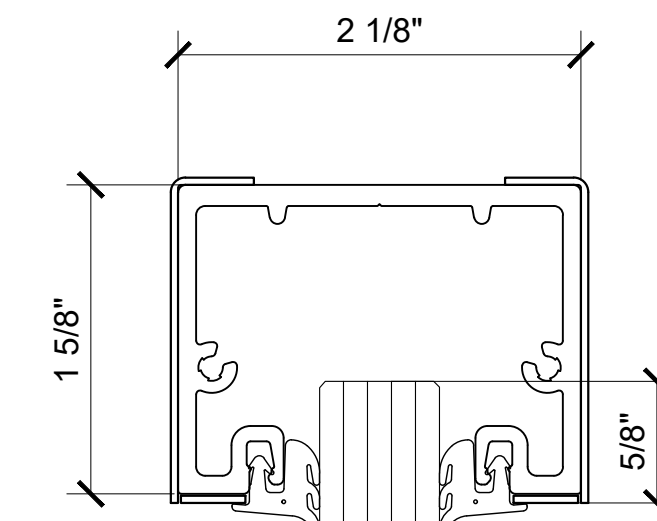
1 3/4" X 4" CLAD HEADER
WITH GLASS POCKET
FHC ITEM# PH4_



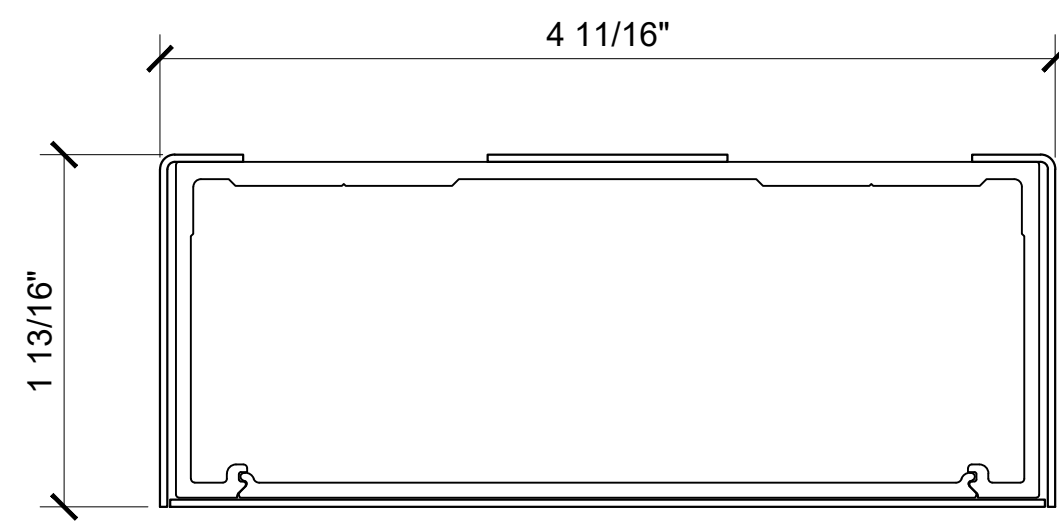
1 3/4" X 4" CLAD HEADER
WITH HARDWARE ADAPTER
FHC ITEM# H4_HA



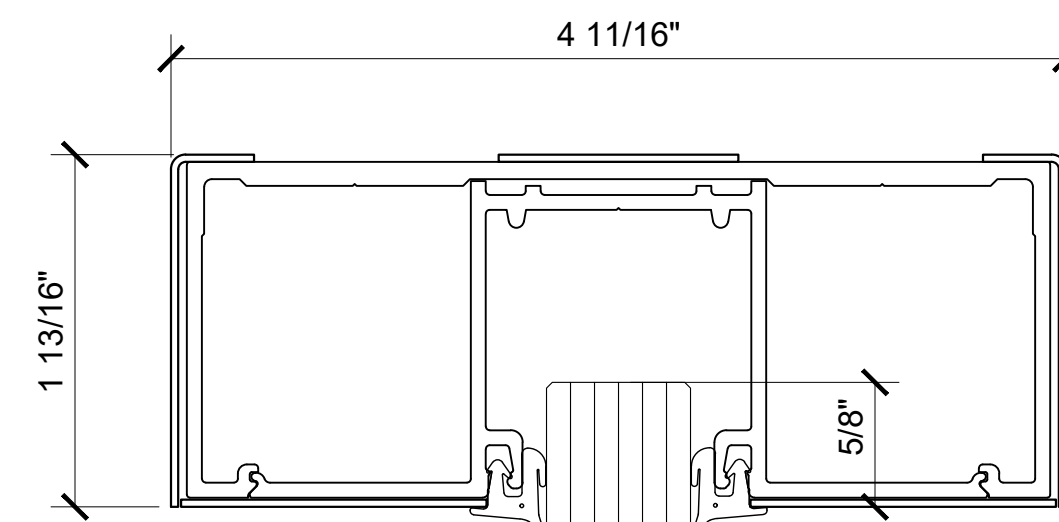
2 1/8" X 1 5/8" CLAD
NARROW WIDTH HEADER
FHC ITEM# NWH_



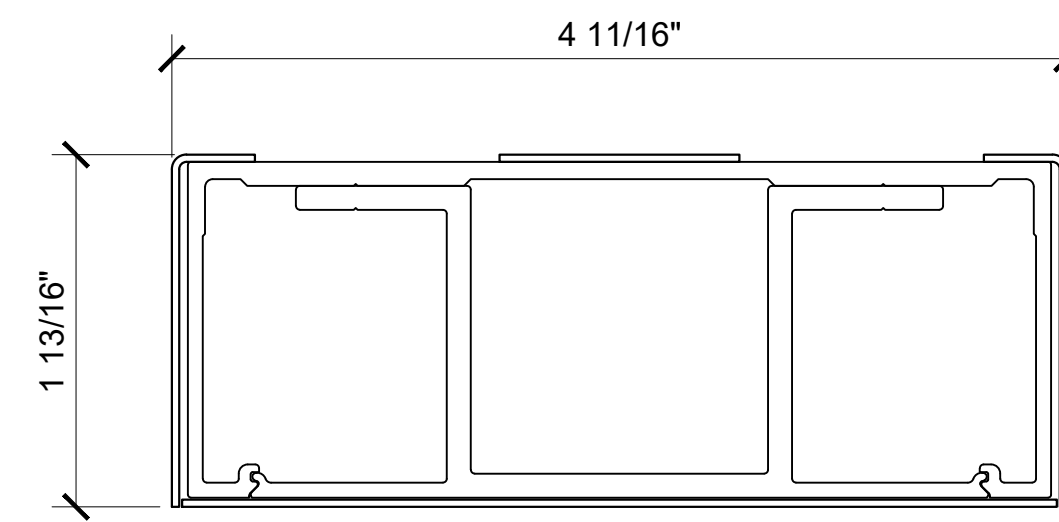
2 1/8" X 1 5/8" CLAD
NARROW WIDTH
DEEP CHANNEL
FHC ITEM# NWD_



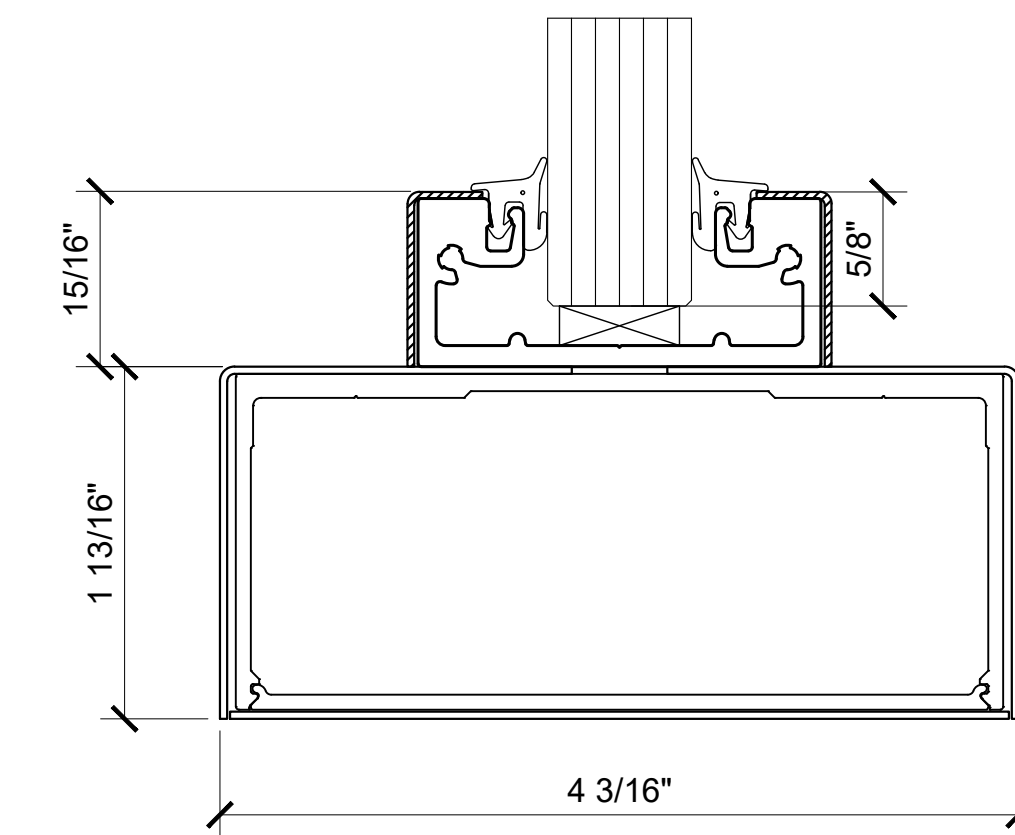
1 3/4" X 4 1/2" CLAD HEADER
FHC TEM# H45_



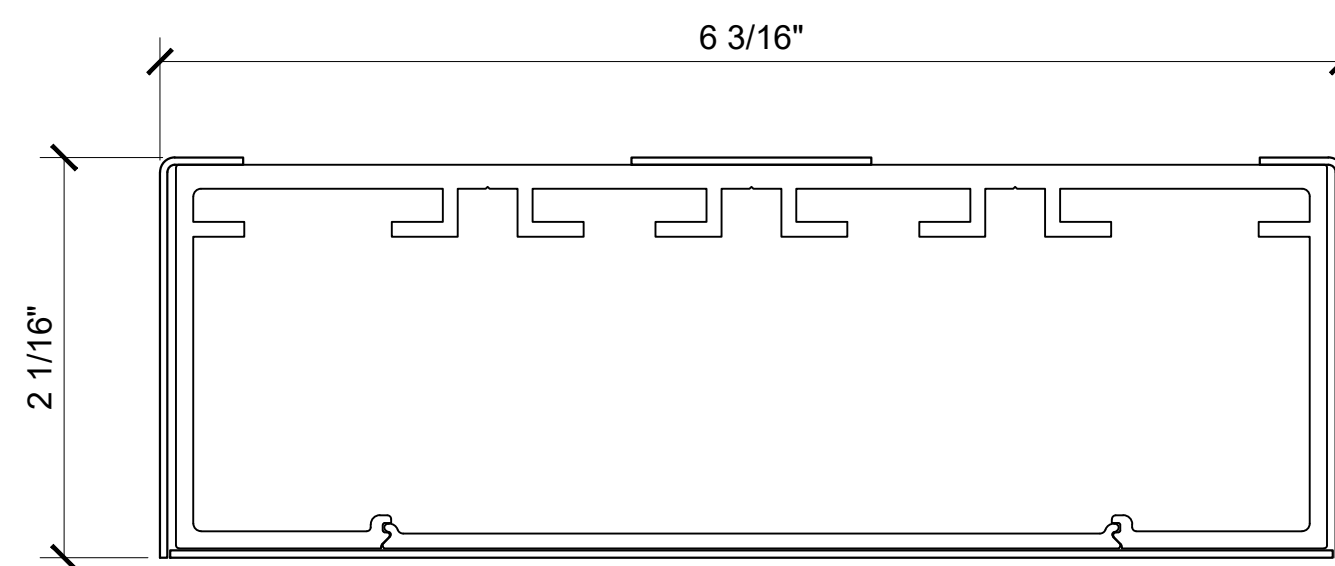
1 3/4" X 4 1/2" CLAD HEADER
WITH GLASS POCKET
FHC ITEM# PH45_



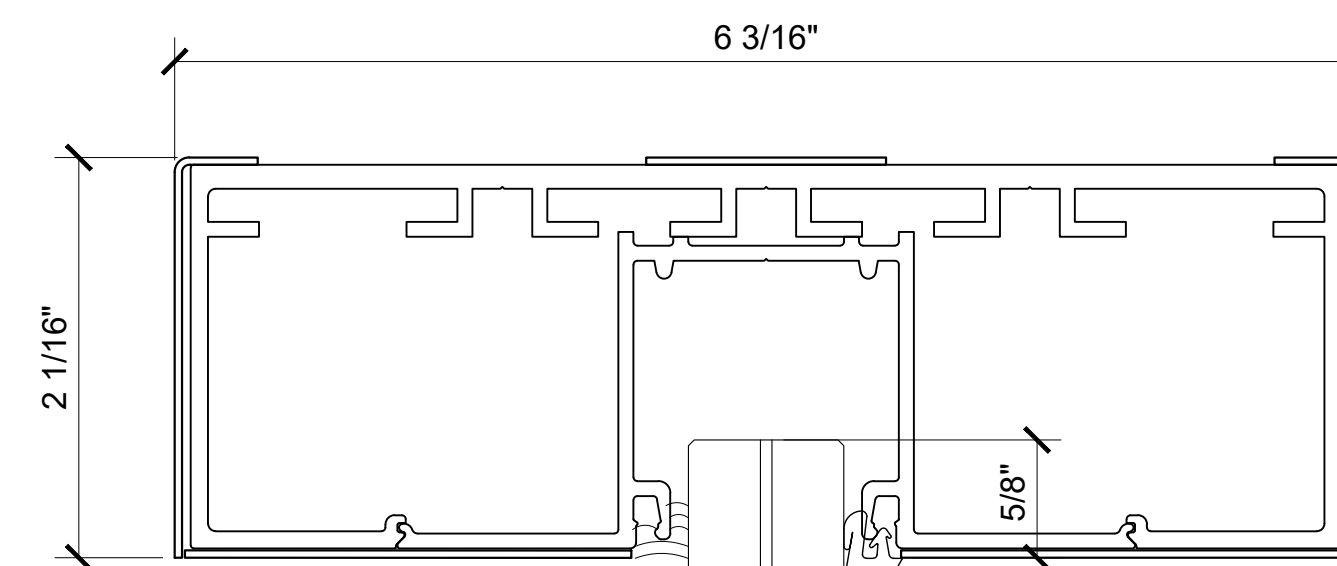
1 3/4" X 4 1/2" CLAD HEADER
WITH HARDWARE ADAPTER
FHC ITEM# H45_HA



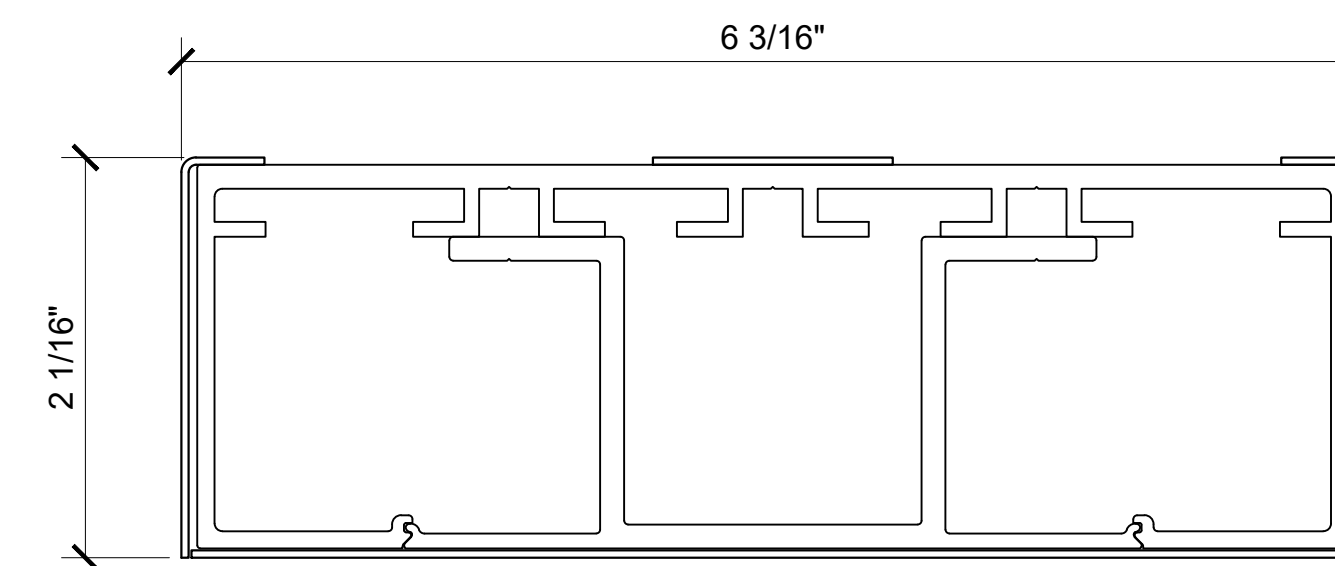
1 3/4" X 4" CLAD FLOATING
HEADER WITH TRANSOM
FHC ITEM# HF4_



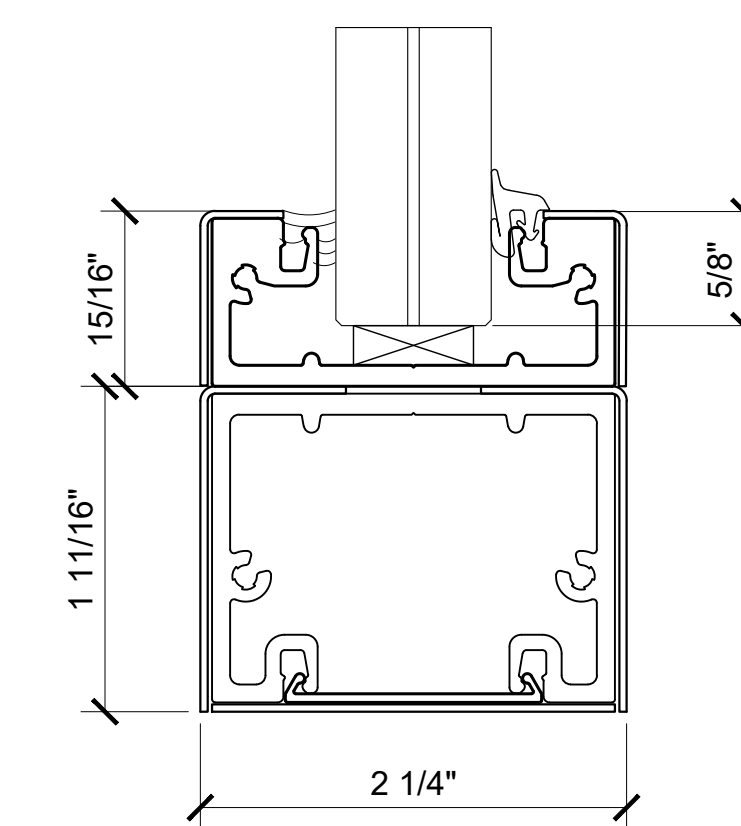
2" X 6" CLAD HEADER
FHC ITEM# H6_



2" X 6" CLAD HEADER
WITH GLASS POCKET
FHC ITEM# PH6_



2" X 6" CLAD HEADER
WITH HARDWARE ADAPTER
FHC ITEM# H6_HA



1 7/8" X 1 5/8" CLAD
NARROW WIDTH FLOATING
HEADER WITH TRANSOM
FHC ITEM# NWFH_

Architect: _____
Phone: _____
Fax: _____
Contact: _____

Job Name: _____
Phone: _____
Fax: _____
Contact: _____

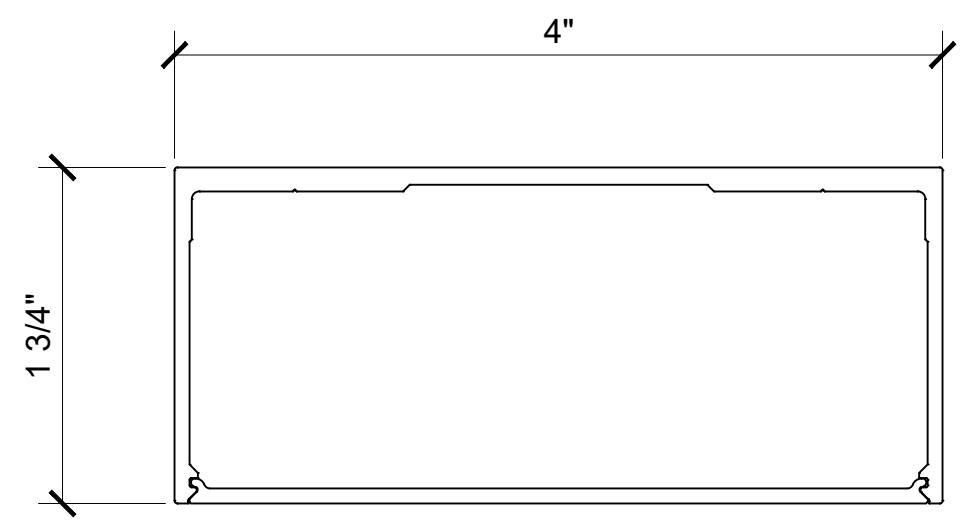
Customer: _____
Phone: _____
Fax: _____
Contact: _____

REV#	DATE	DRAWN BY
0	10/30/20	JPL
1		
2		
3		
4		
5		
6		

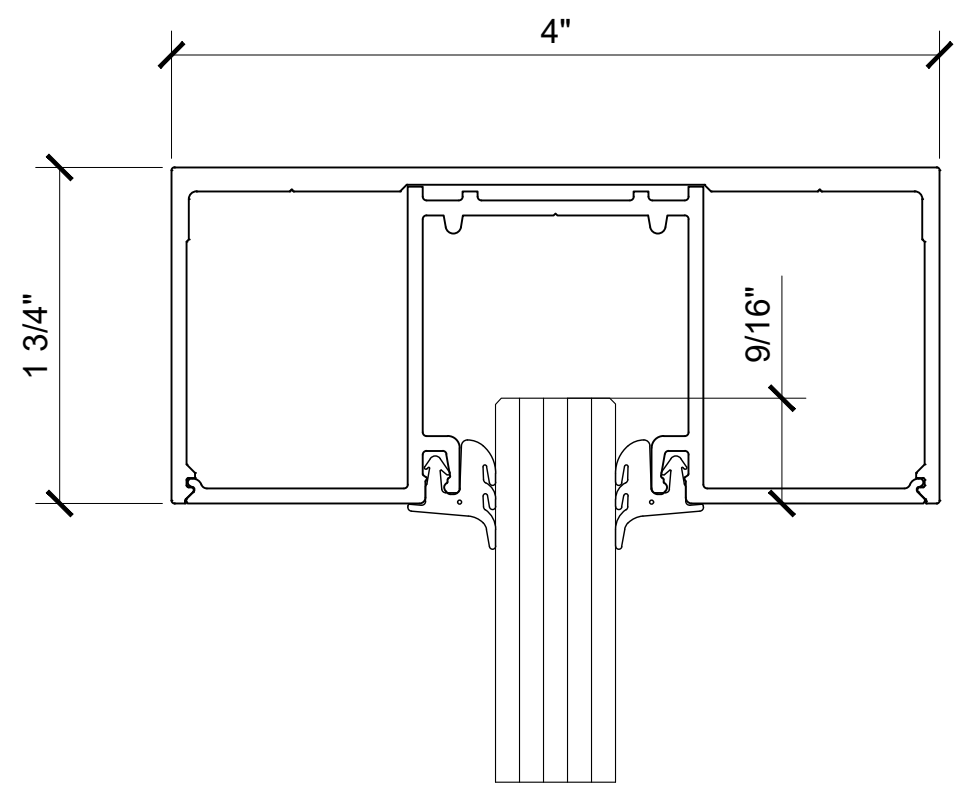
Drawn By: JPL
Checked By: PM
Date: 00/00/20
Scale: AS NOTED
Project #: 000000

Sheet No.

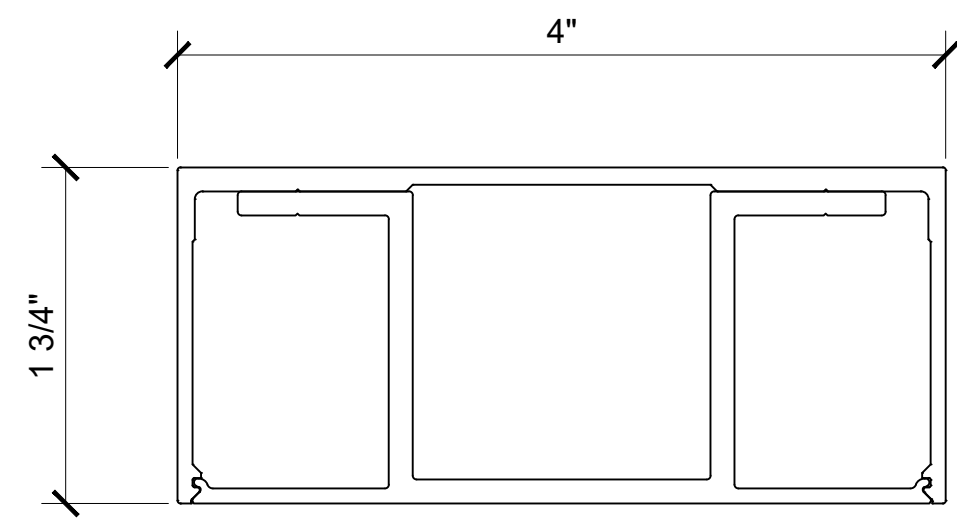
FHC STANDARD HEADER CONFIGURATIONS



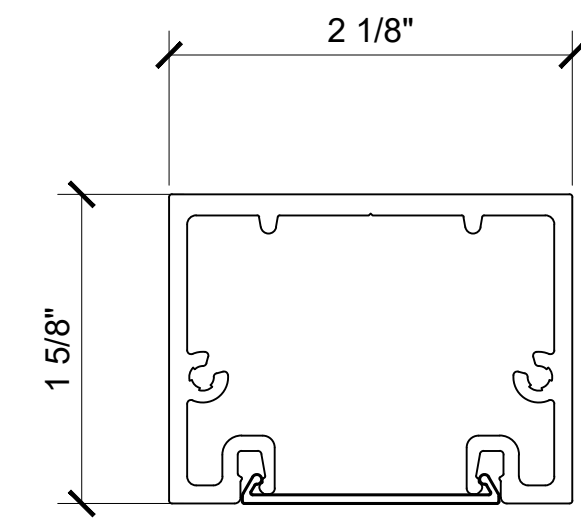
1 3/4" X 4" NON CLAD HEADER
FHC ITEM# H4_



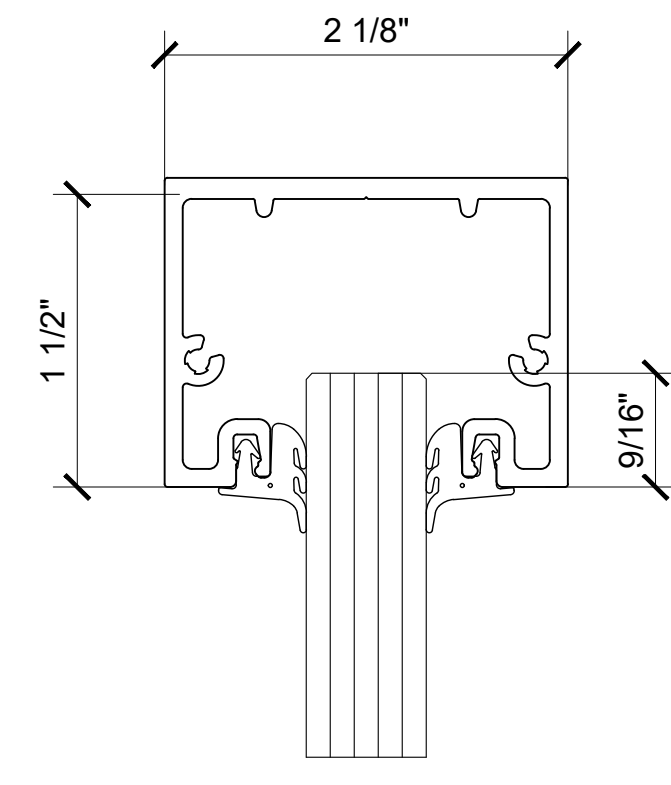
1 3/4" X 4" NON CLAD HEADER WITH GLASS POCKET
FHC ITEM# PH4



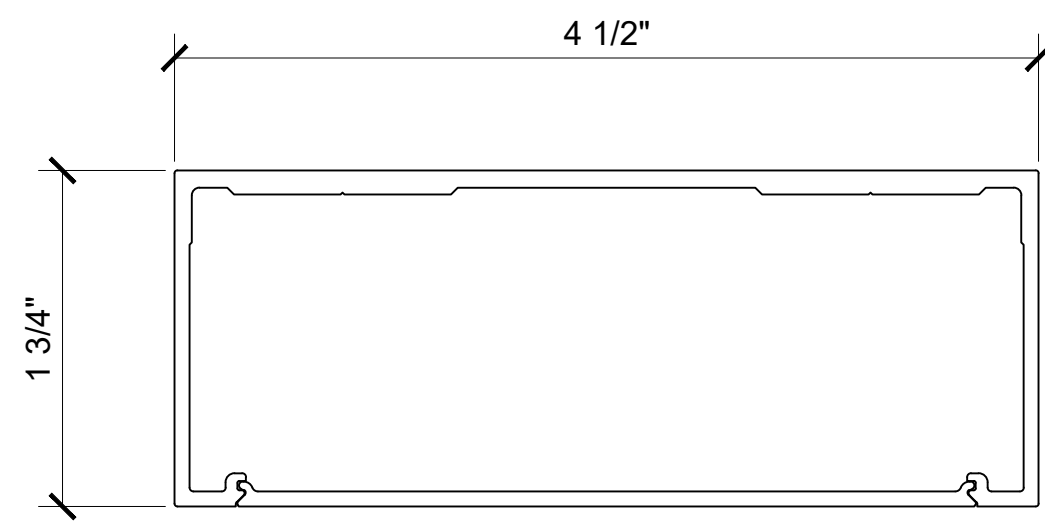
1 3/4" X 4" NON CLAD HEADER WITH HARDWARE ADAPTER
FHC ITEM# H4_HA



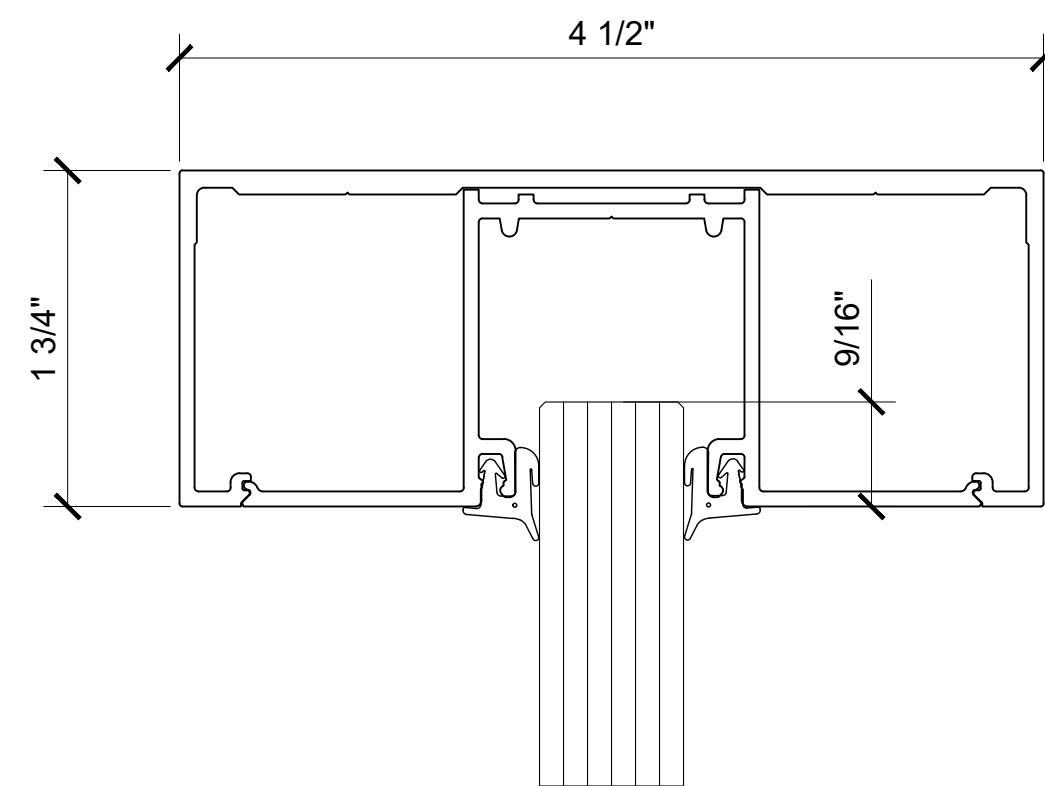
2 1/8" X 1 5/8" NON CLAD NARROW WIDTH HEADER
FHC ITEM# NWH_



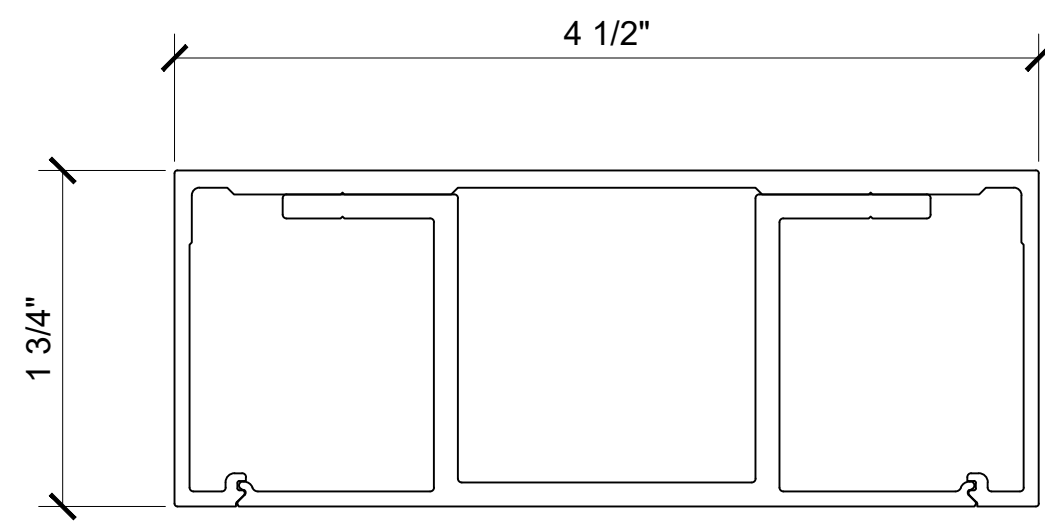
2 1/8" X 1 5/8" NON CLAD NARROW WIDTH DEEP CHANNEL
FHC ITEM# NWD_



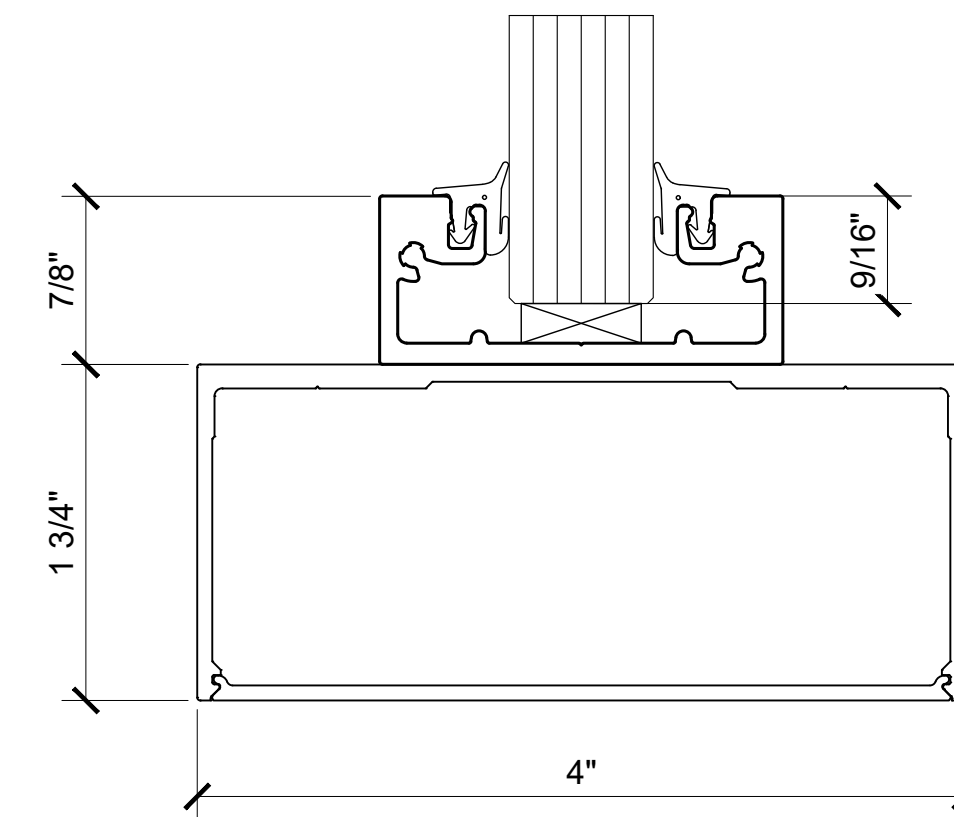
1 3/4" X 4 1/2" NON CLAD HEADER
FHC TEM# H45_



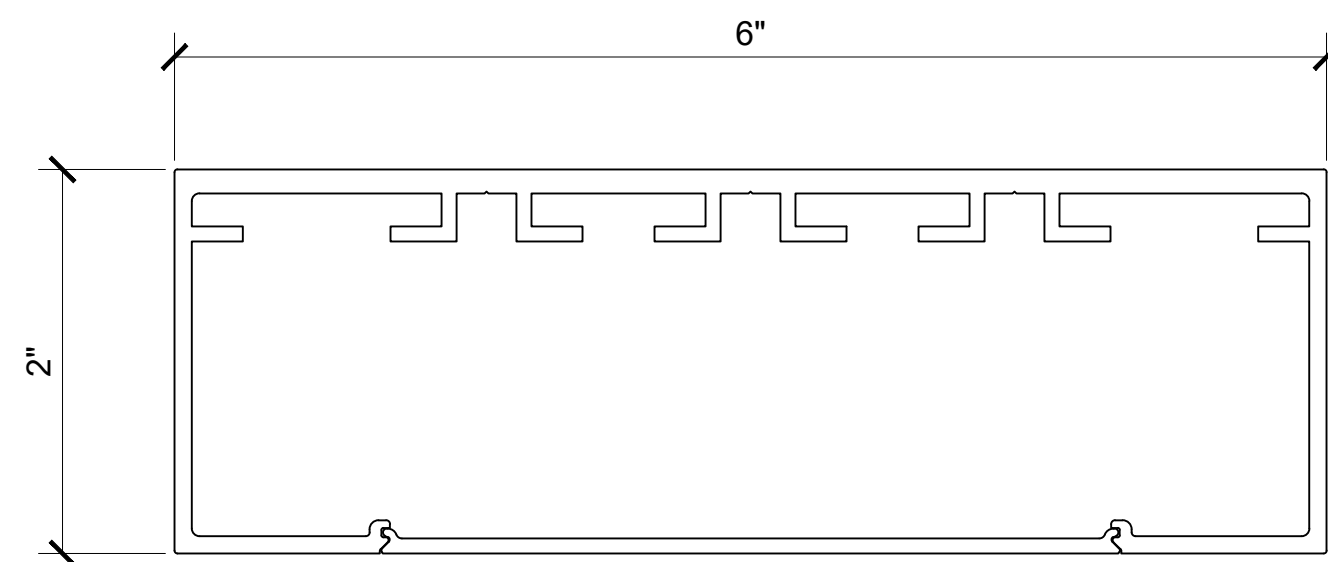
1 3/4" X 4 1/2" NON CLAD HEADER WITH GLASS POCKET
FHC ITEM# PH45



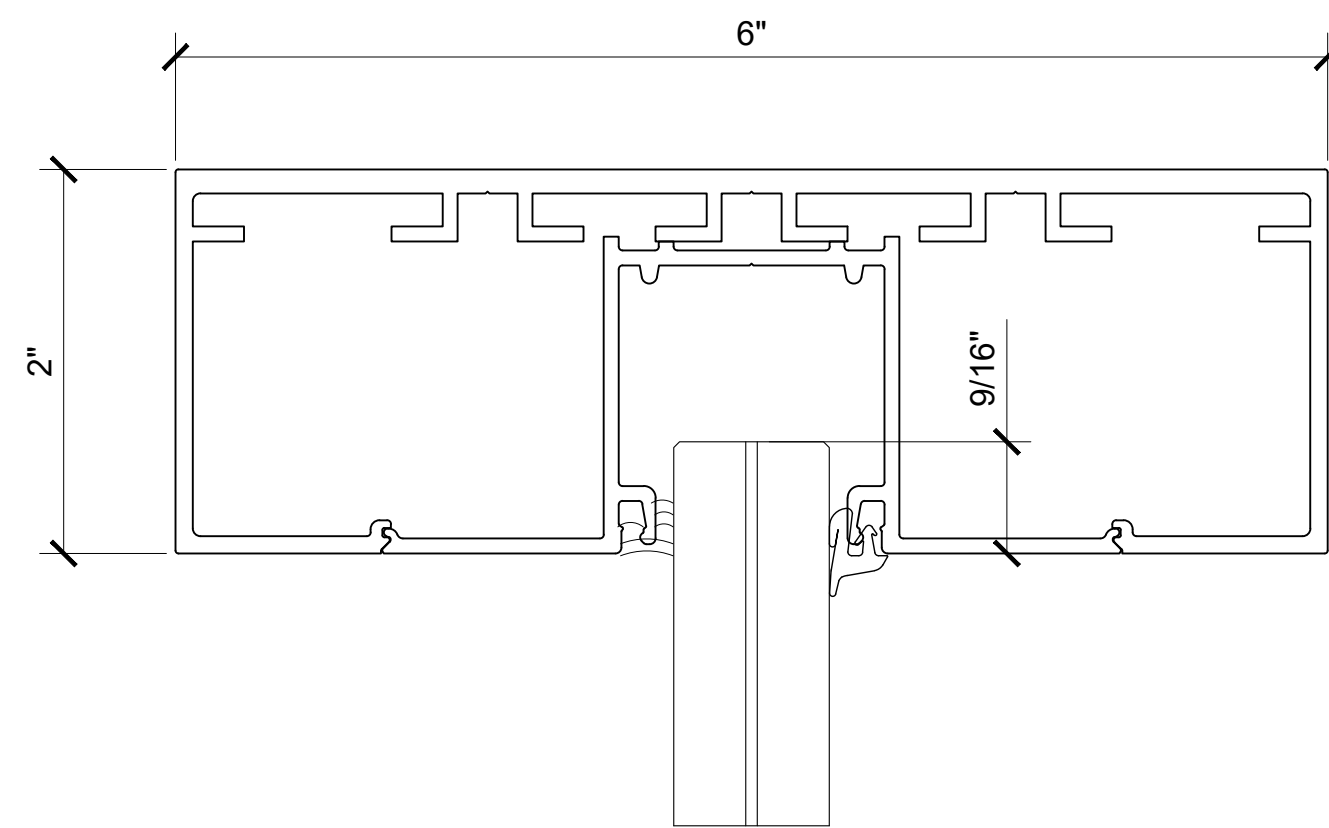
1 3/4" X 4 1/2" NON CLAD HEADER WITH HARDWARE ADAPTER
FHC ITEM# H45_HA



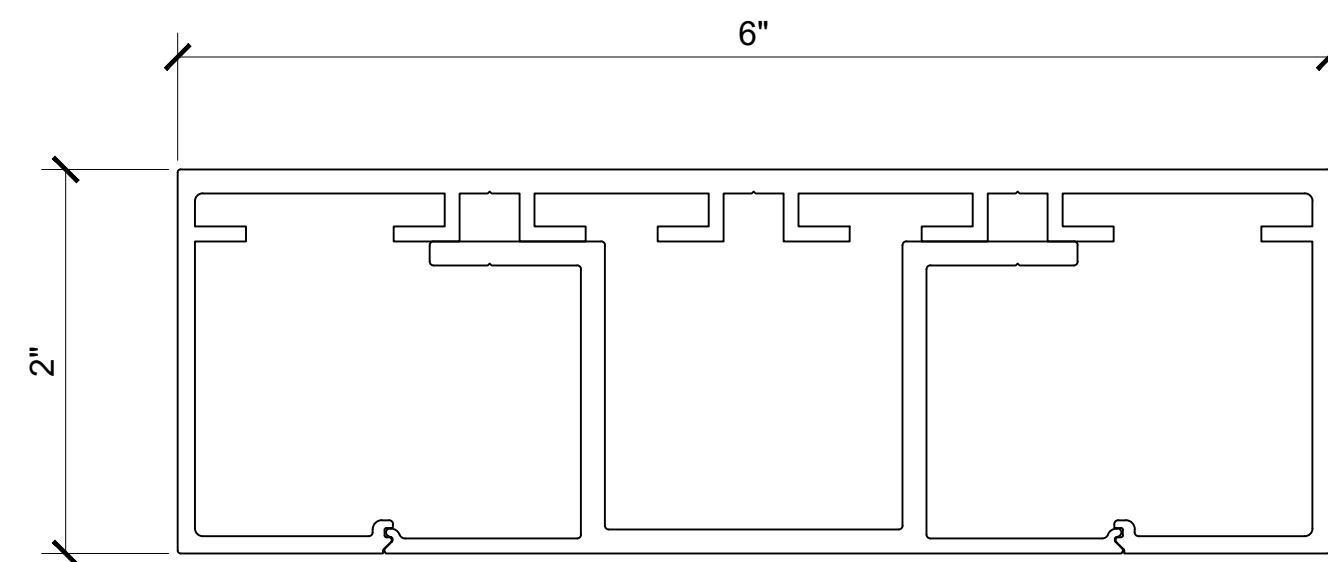
1 3/4" X 4" NON CLAD FLOATING HEADER WITH TRANSOM
FHC ITEM# HF4_



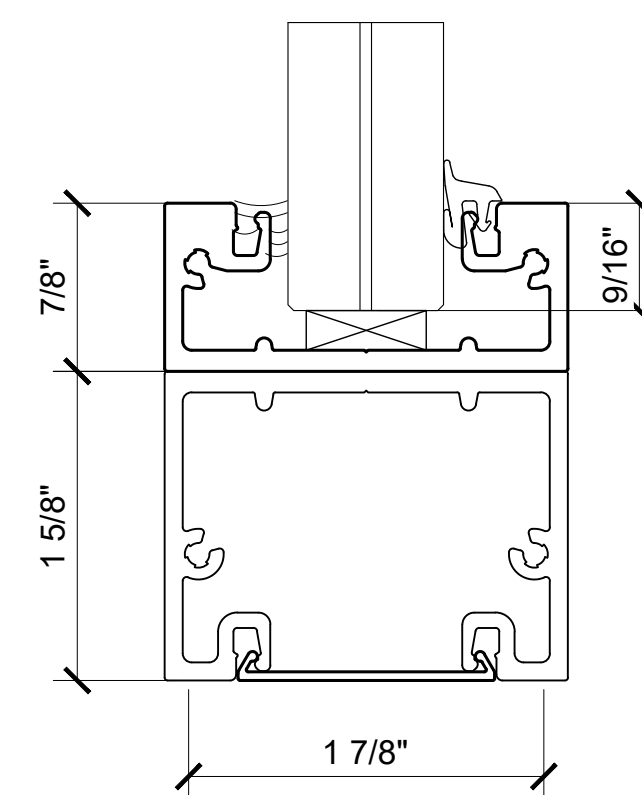
2" X 6" NON CLAD HEADER
FHC ITEM# H6_



2" X 6" NON CLAD HEADER WITH GLASS POCKET
FHC ITEM# PH6_



2" X 6" NON CLAD HEADER WITH HARDWARE ADAPTER
FHC ITEM# H6_HA



1 7/8" X 1 5/8" NON CLAD NARROW WIDTH FLOATING HEADER WITH TRANSOM
FHC ITEM# NWFH_

Architect: _____
Phone: _____
Fax: _____
Contact: _____

Job Name: _____
Phone: _____
Fax: _____
Contact: _____

Customer: _____
Phone: _____
Fax: _____
Contact: _____

REV#	DATE	DRAWN BY
1	10/30/20	JPL
2		
3		
4		
5		
6		

Drawn By: JPL
Checked By: PM
Date: 00/00/20
Scale: AS NOTED
Project #: 000000

Sheet No.