

# FHC ALUMINUM

## 760 NARROW STILE MALL SLIDER FOR 1/4" & 1" GLAZING

GL-1 \_\_\_\_\_

GL-2 \_\_\_\_\_

PROJECT SPECIFICATIONS	
SYSTEM	FHC ALUMINUM 760 MALL SLIDER
MATERIAL FINISH	TBA
GLASS SCHEDULE	GL1:

TABLE OF CONTENTS:		
SHEET	DWG	DESCRIPTION
1	COVER	COVER SHEET
2	2.01	ELEVATION & DETAILS
3	2.02	ELEVATION & DETAILS
4	2.03	ELEVATION & DETAILS
5	2.04	ELEVATION & DETAILS
6	2.05	ELEVATION
7	2.06	DETAILS
8	3.00	DETAILS
9	3.01	DETAILS
10	3.02	DETAILS



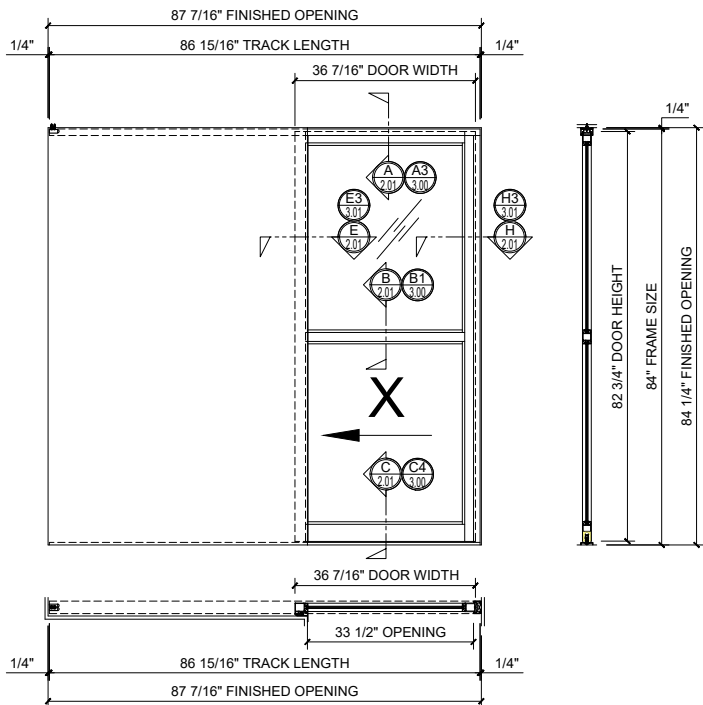
Architect: \_\_\_\_\_  
Phone: \_\_\_\_\_  
Fax: \_\_\_\_\_  
Contact: \_\_\_\_\_

Job Name: \_\_\_\_\_  
Phone: \_\_\_\_\_  
Fax: \_\_\_\_\_  
Contact: \_\_\_\_\_

Customer: \_\_\_\_\_  
Phone: \_\_\_\_\_  
Fax: \_\_\_\_\_  
Contact: \_\_\_\_\_

REV#	DATE	DRAWN BY

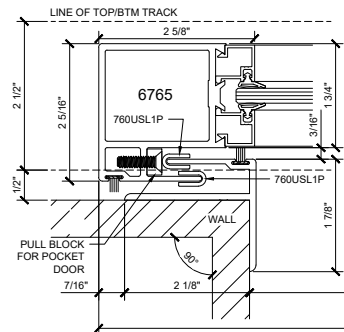
Drawn By: MH  
Checked By: \_\_\_\_\_  
Date: 09.12.22  
Scale: AS NOTED  
Project #: 000000



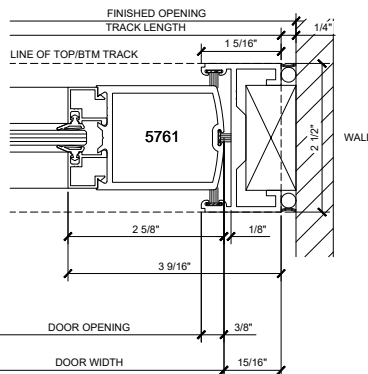
**1 ELEVATION**

ARCH REF: NONE SCALE: 1"=1'-0"

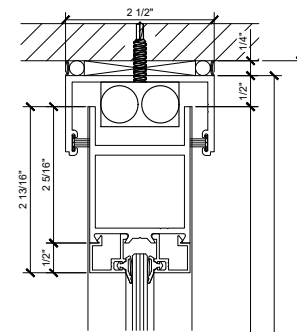
FHC NARROW STYLE 760 MALL SLIDER  
PART NUMBER: MS101



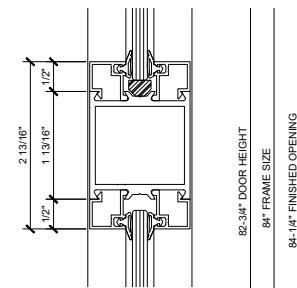
**E DOOR STILE @ POCKET DOOR**  
SCALE: FULL



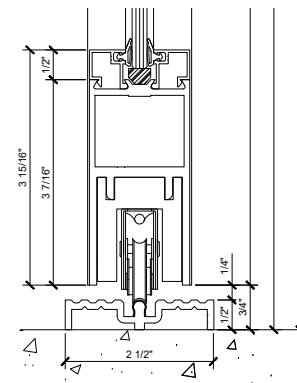
**H DOOR JAMB & STILE**  
SCALE: FULL



**A TOP DOOR RAIL**  
SCALE: FULL



**B INTERMEDIATE MUTIN BAR**  
SCALE: FULL



**C BTM DOOR RAIL & ROLLER**  
SCALE: FULL

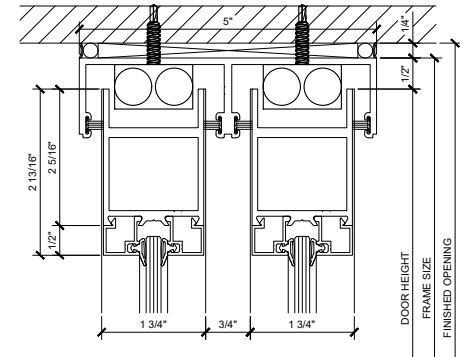
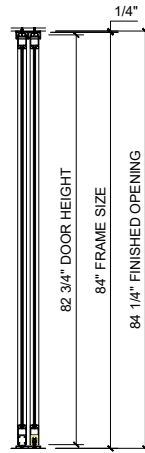
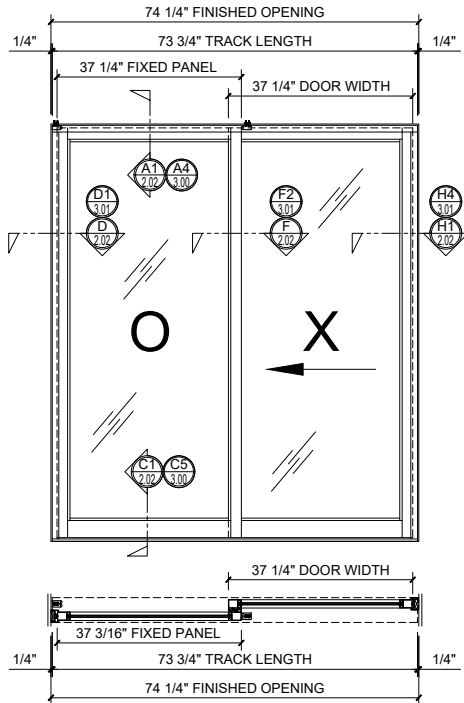
Architect:	Phone:
	Fax:
	Contact:

Job Name:	Phone:
	Fax:
	Contact:

Customer:	Phone:
	Fax:
	Contact:

Drawn By:	Customer:
Checked By:	
Date:	09.12.22
Scale:	AS NOTED
Project #:	000000

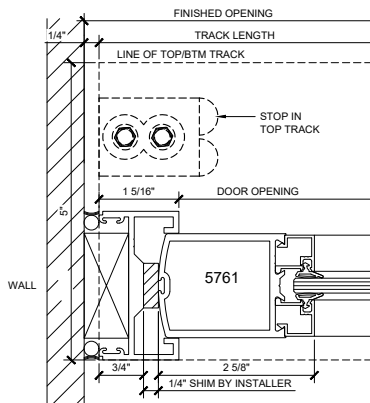
Sheet No.



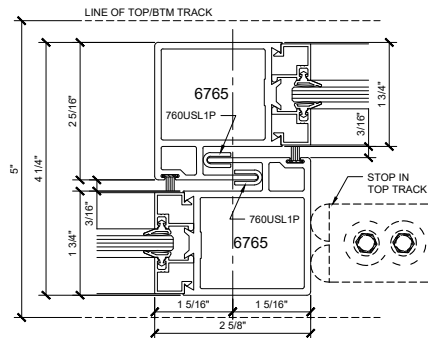
**A1** TOP DOOR RAIL  
SCALE: FULL

**2** ELEVATION

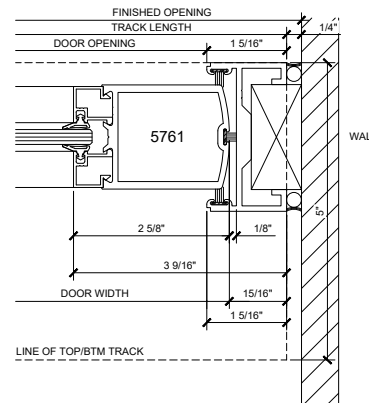
ARCH REF: NONE SCALE: 1"=1'-0"  
FHC NARROW STYLE 760 MALL SLIDER  
PART NUMBER: MS211



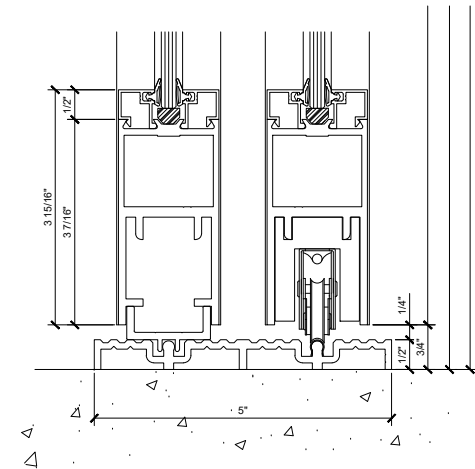
**D** FIXED PANEL JAMB & STILE  
SCALE: FULL



**F** DOOR INTERLOCK  
SCALE: FULL



**H1** DOOR JAMB & STILE  
SCALE: FULL

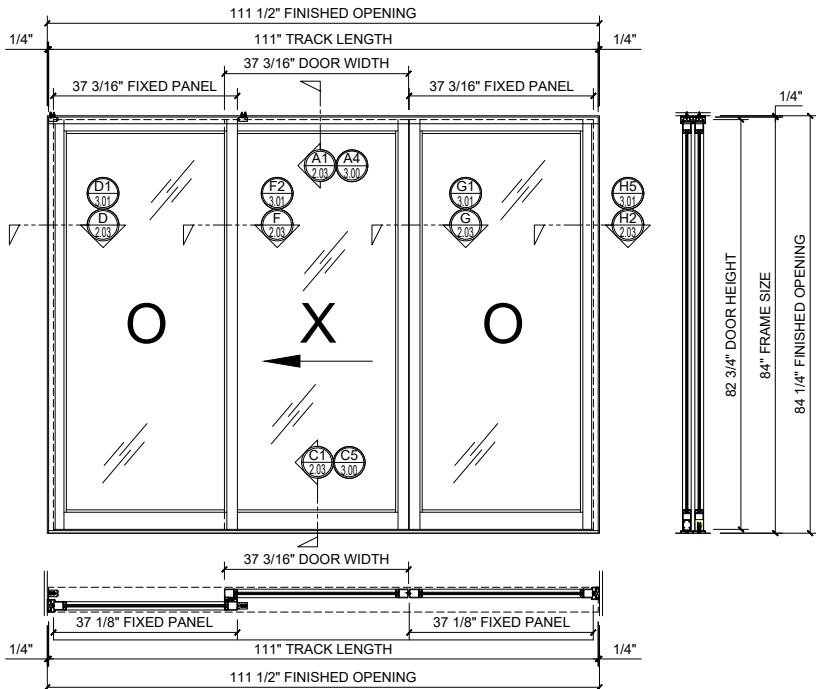


**C1** BTM DOOR RAIL & ROLLER  
SCALE: FULL

Architect:	Phone:	Contact:
Job Name:	Phone:	Contact:

Customer:	Phone:	Contact:
-----------	--------	----------

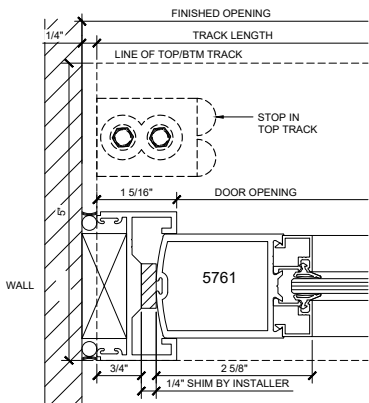
Drawn By: MH	Date: 09.12.22
Checked By:	Scale: AS NOTED
Project #: 000000	



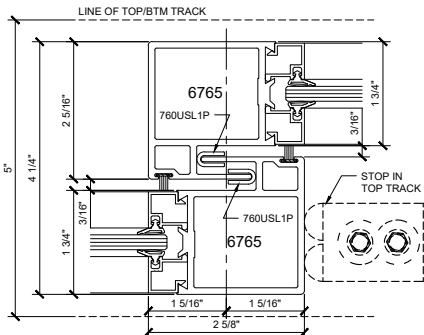
**3 ELEVATION**

ARCH REF: NONE SCALE: 1"=1'-0"

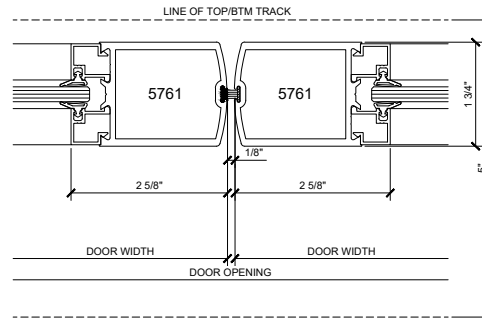
FHC NARROW STYLE 760 MALL SLIDER  
PART NUMBER: MS331



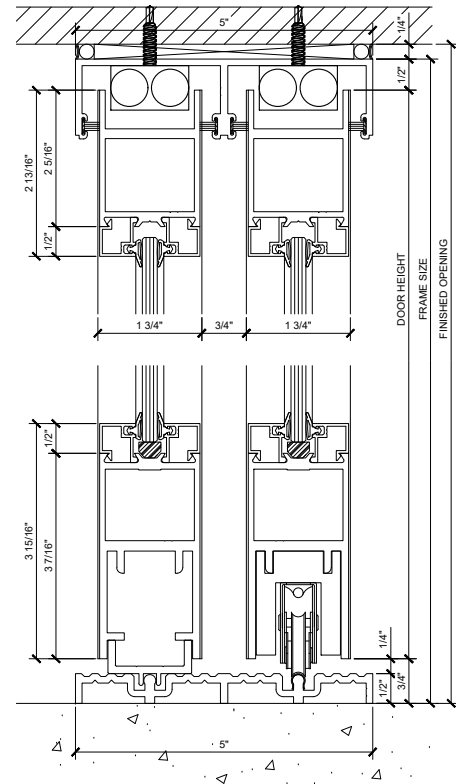
**D** FIXED PANEL JAMB & STILE  
SCALE: FULL



**F** DOOR INTERLOCK  
SCALE: FULL

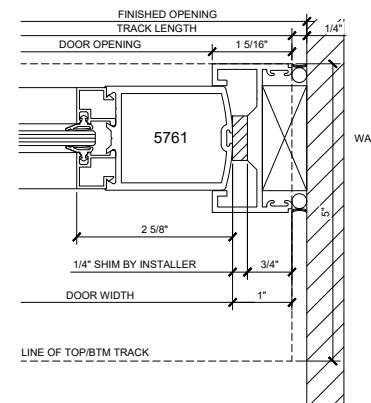


**G** DOOR MEETING STILES  
SCALE: FULL



**A1** TOP DOOR RAIL  
SCALE: FULL

**C1** BTM DOOR RAIL & ROLLER  
SCALE: FULL

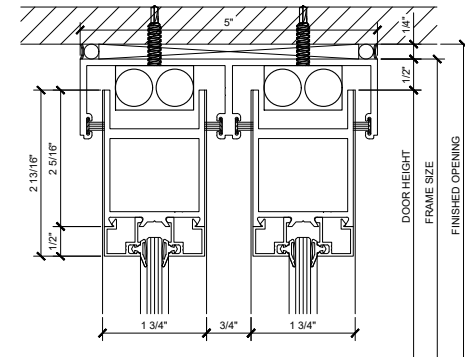
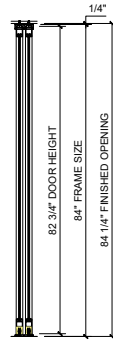
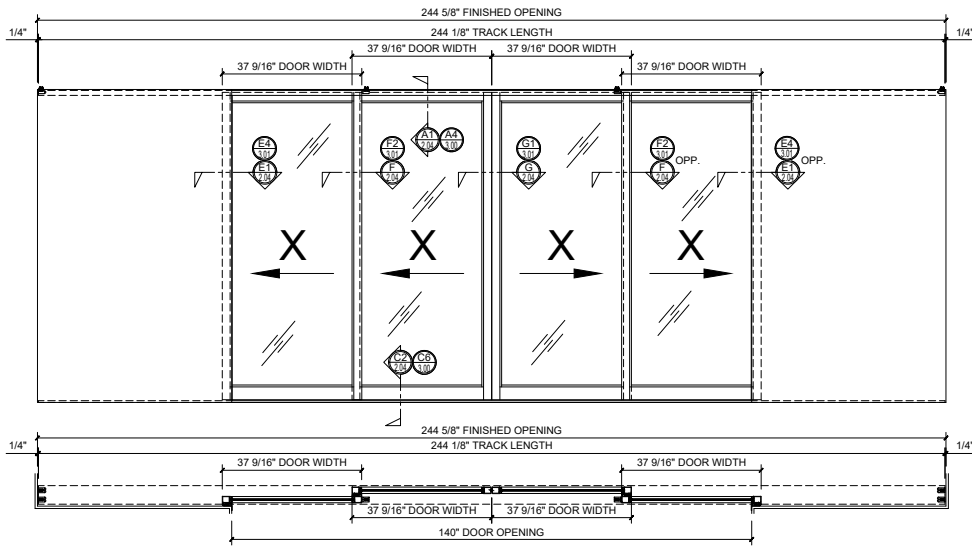


**H2** FIXED PANEL JAMB & STILE  
SCALE: FULL

Architect:	Phone:	Contact:
Job Name:	Phone:	Contact:

Customer:	Phone:	Contact:
-----------	--------	----------

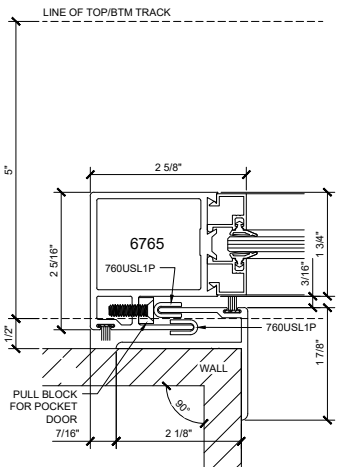
Drawn By: MH
Checked By:
Date: 09.12.22
Scale: AS NOTED
Project #: 000000



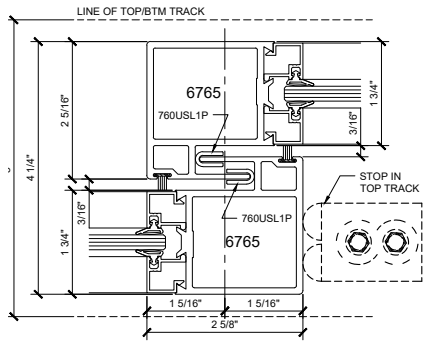
**A1** TOP DOOR RAIL  
SCALE: FULL

**④ ELEVATION**

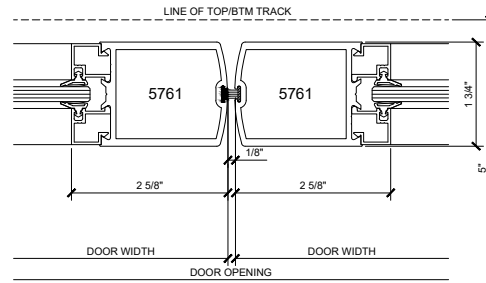
ARCH REF: NONE  
 FHC NARROW STYLE 760 MALL SLIDER  
 PART NUMBER: MS445  
 SCALE: 3/4"=1'-0"



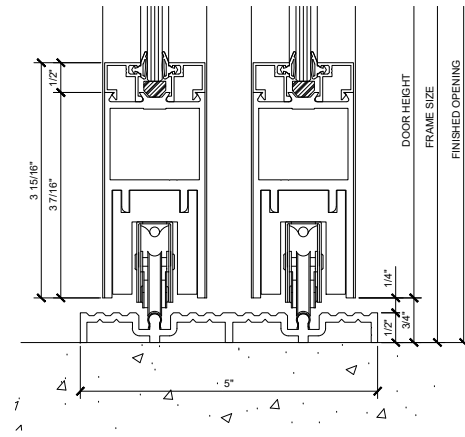
**E1** DOOR STILE @ POCKET DOOR  
SCALE: FULL



**F** DOOR INTERLOCK  
SCALE: FULL



**G** DOOR MEETING STILES  
SCALE: FULL



**C2** BTM DOOR RAIL & ROLLER  
SCALE: FULL

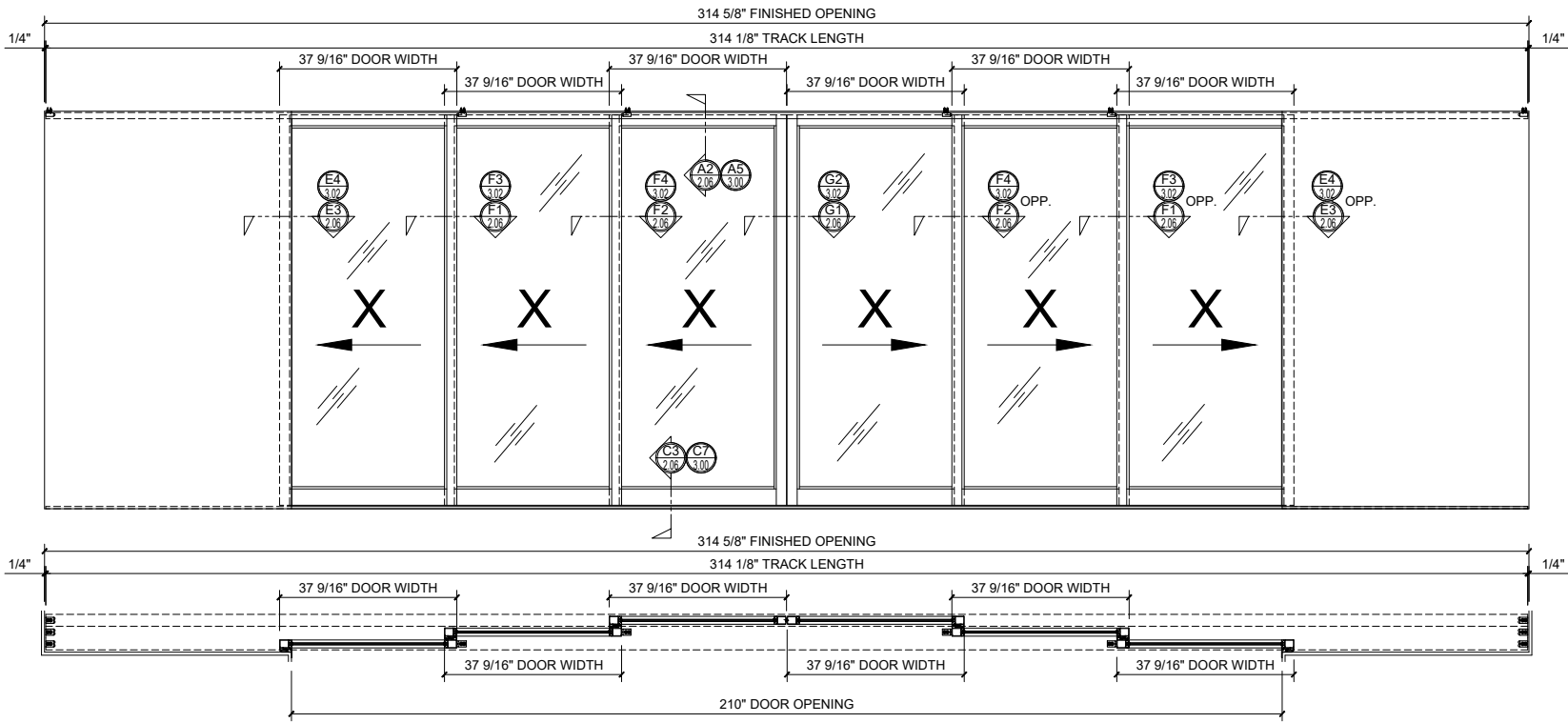
Architect: \_\_\_\_\_  
 Phone: \_\_\_\_\_  
 Fax: \_\_\_\_\_  
 Contact: \_\_\_\_\_

Job Name: \_\_\_\_\_  
 Phone: \_\_\_\_\_  
 Fax: \_\_\_\_\_  
 Contact: \_\_\_\_\_

Customer: \_\_\_\_\_  
 Phone: \_\_\_\_\_  
 Fax: \_\_\_\_\_  
 Contact: \_\_\_\_\_

REV#	DATE	DRAWN BY	CHECKED BY

Drawn By: MH  
 Checked By: \_\_\_\_\_  
 Date: 09.12.22  
 Scale: AS NOTED  
 Project #: 000000



**5 ELEVATION**

ARCH REF: NONE

FHC NARROW STYLE 760 MALL SLIDER  
PART NUMBER: MS661

SCALE: 1"=1'-0"



Architect: \_\_\_\_\_  
Phone: \_\_\_\_\_  
Fax: \_\_\_\_\_

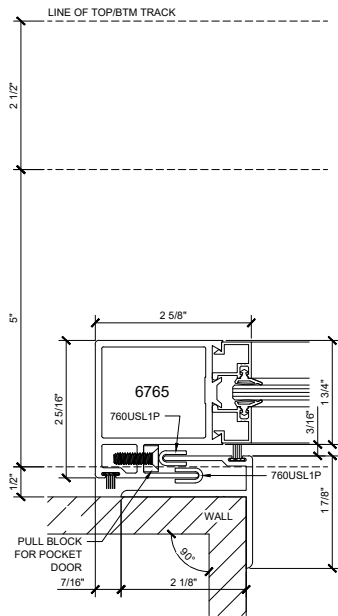
Job Name: \_\_\_\_\_  
Phone: \_\_\_\_\_  
Fax: \_\_\_\_\_

Customer: \_\_\_\_\_  
Phone: \_\_\_\_\_  
Fax: \_\_\_\_\_

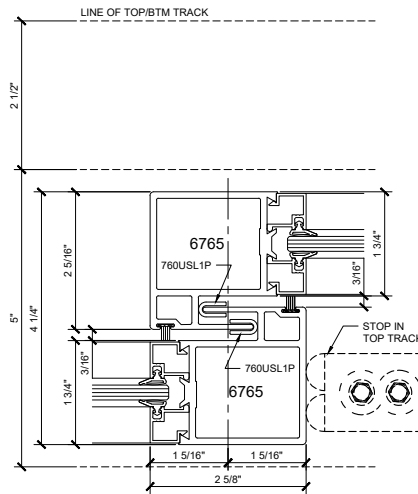
REV#	DATE	DESCRIPTION
1		
2		
3		
4		
5		
6		
7		
8		
9		
10		

Drawn By: MH  
Checked By: \_\_\_\_\_  
Date: 09.12.22  
Scale: AS NOTED  
Project #: 000000

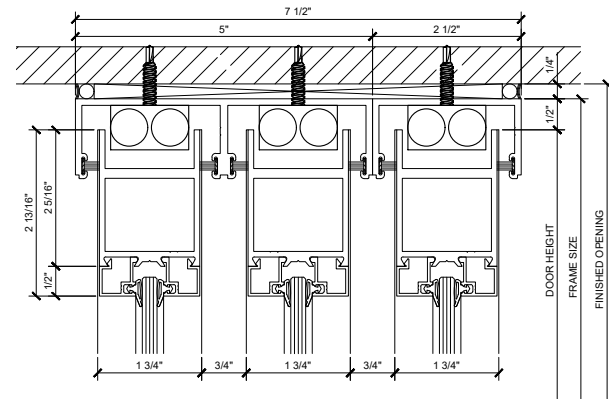
Sheet No. \_\_\_\_\_



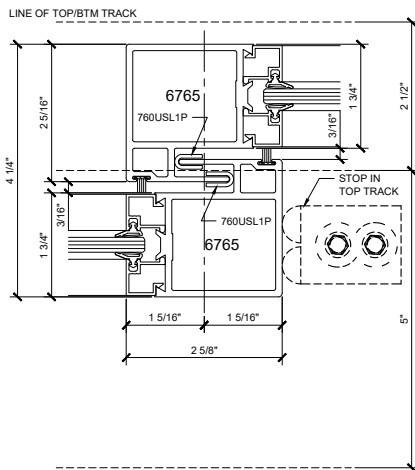
**E3** DOOR STILE @ POCKET DOOR  
SCALE: FULL



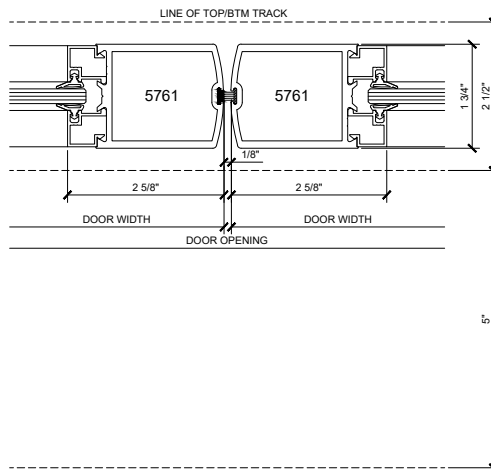
**F1** DOOR INTERLOCK  
SCALE: FULL



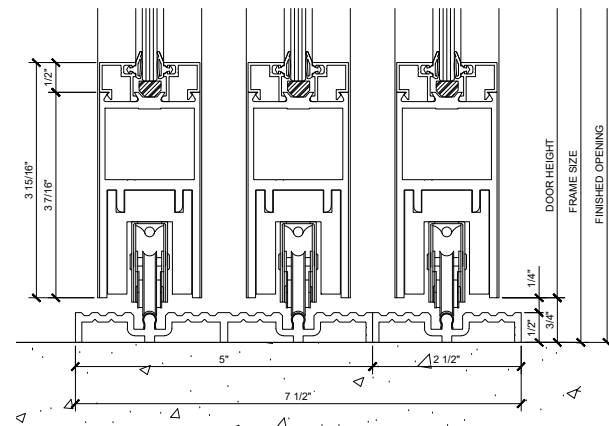
**A2** TOP DOOR RAIL  
SCALE: FULL



**F2** DOOR INTERLOCK  
SCALE: FULL



**G1** DOOR MEETING STILES  
SCALE: FULL



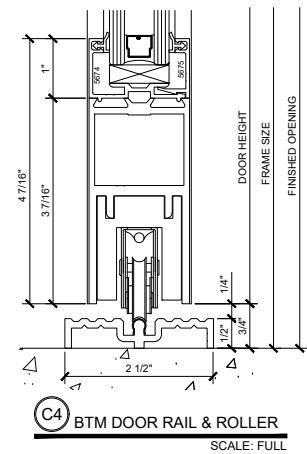
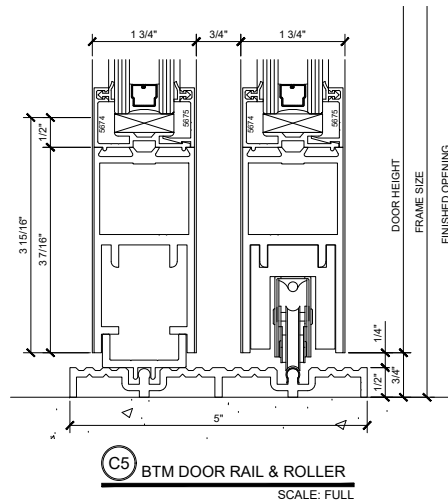
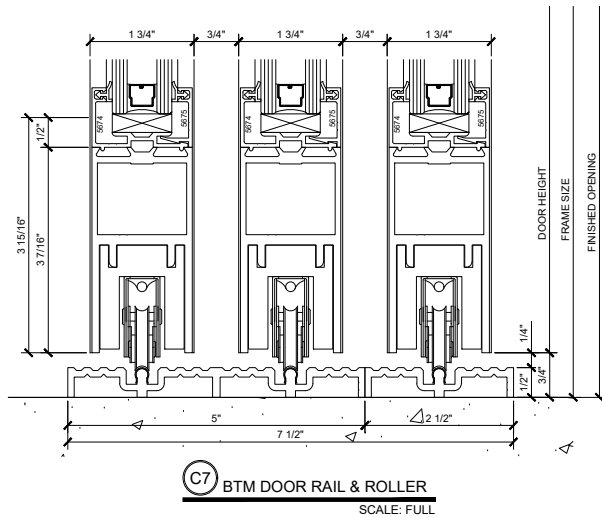
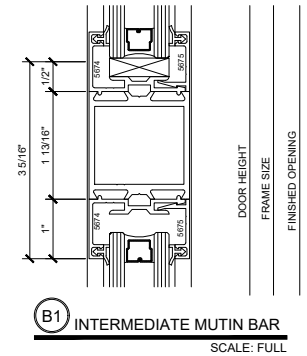
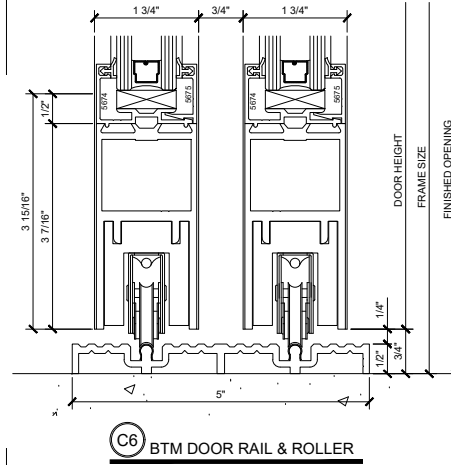
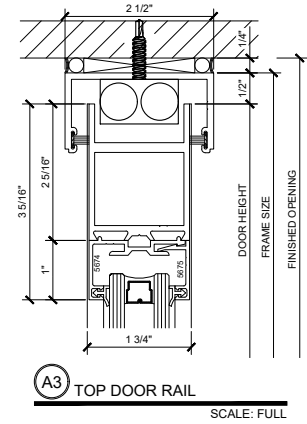
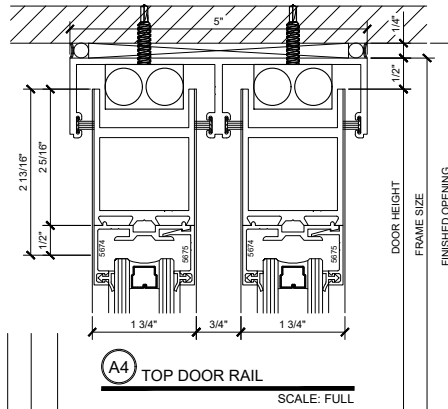
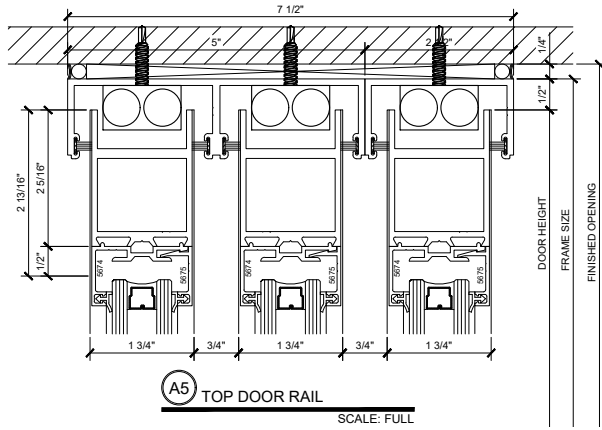
**C3** BTM DOOR RAIL & ROLLER  
SCALE: FULL

Architect:	Phone:
	Fax:
	Contact:

Job Name:	Phone:
	Fax:
	Contact:

Customer:	Phone:
	Fax:
	Contact:

Drawn By: MH
Checked By:
Date: 09.12.22
Scale: AS NOTED
Project #: 000000
Sheet No.



Architect: \_\_\_\_\_  
Phone: \_\_\_\_\_  
Fax: \_\_\_\_\_  
Contact: \_\_\_\_\_

Job Name: \_\_\_\_\_  
Phone: \_\_\_\_\_  
Fax: \_\_\_\_\_  
Contact: \_\_\_\_\_

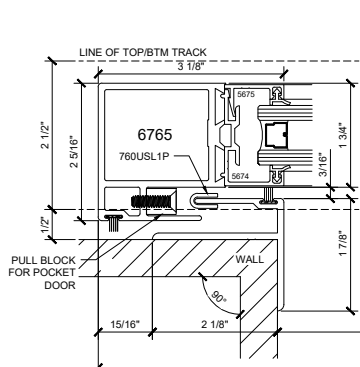
Customer: \_\_\_\_\_  
Phone: \_\_\_\_\_  
Fax: \_\_\_\_\_  
Contact: \_\_\_\_\_

REV#	DATE	DRAWN BY	CHECKED BY	CUSTOMER

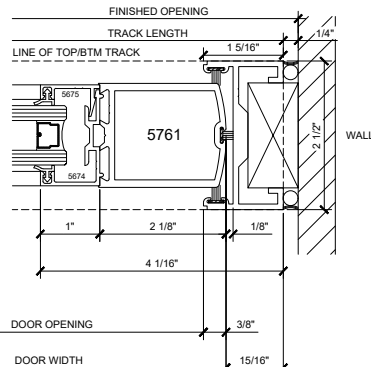
Drawn By: MH  
Checked By: \_\_\_\_\_  
Date: 09.12.22  
Scale: AS NOTED  
Project #: 000000

Sheet No. \_\_\_\_\_  
**3.00**

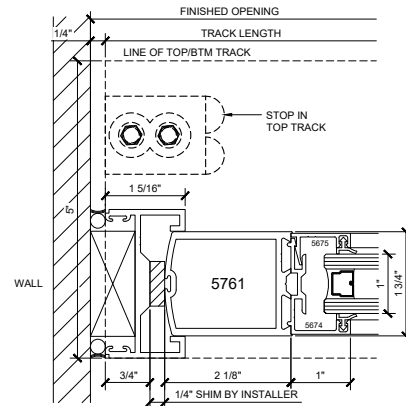




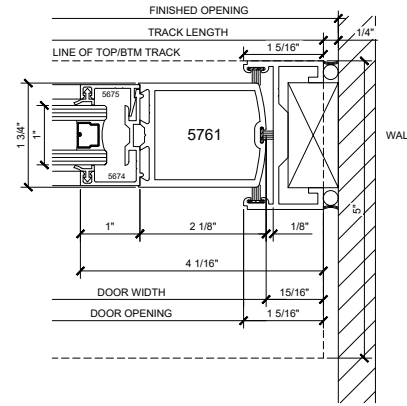
**E3** DOOR STILE @ POCKET DOOR  
SCALE: FULL



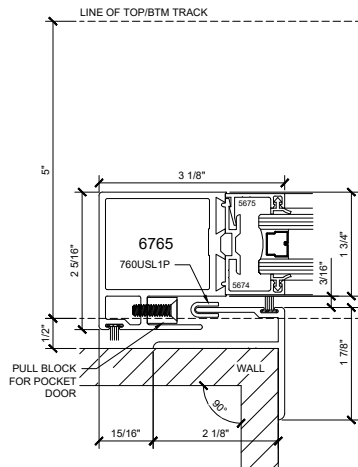
**H3** DOOR JAMB & STILE  
SCALE: FULL



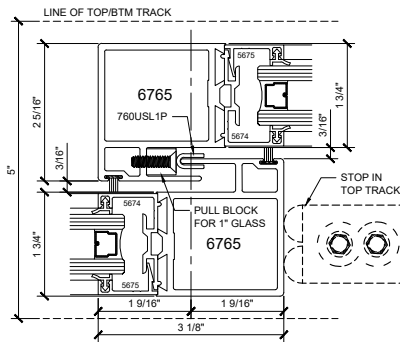
**D1** FIXED PANEL JAMB & STILE  
SCALE: FULL



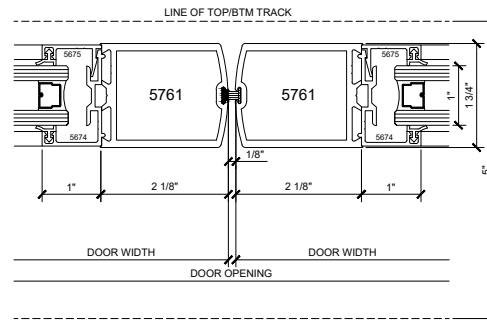
**H4** DOOR JAMB & STILE  
SCALE: FULL



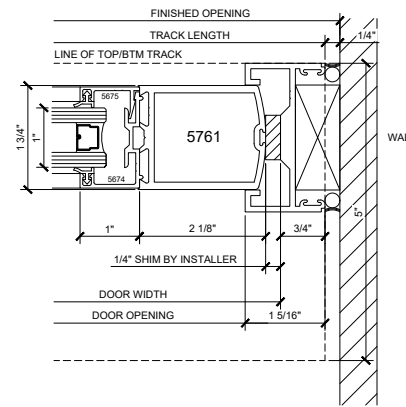
**E4** DOOR STILE @ POCKET DOOR  
SCALE: FULL




**F2** DOOR INTERLOCK  
SCALE: FULL



**G1** DOOR MEETING STILES  
SCALE: FULL



**H5** FIXED PANEL JAMB & STILE  
SCALE: FULL

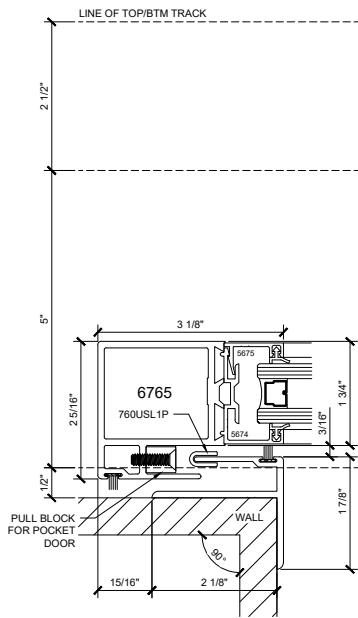


Architect:	Phone:
Job Name:	Fax:
Customer:	Contact:

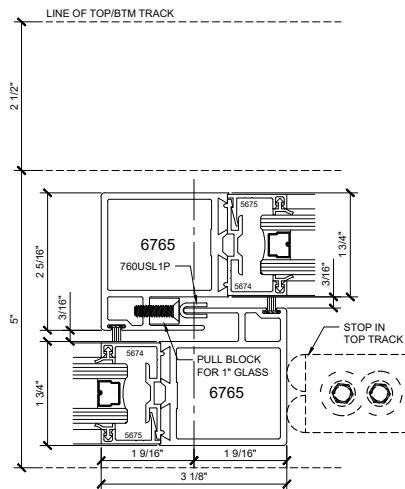
REV#	DATE	DRAWN BY	CUSTOMER

Drawn By: MH  
 Checked By:  
 Date: 09.12.22  
 Scale: AS NOTED  
 Project #: 000000  
 Sheet No.

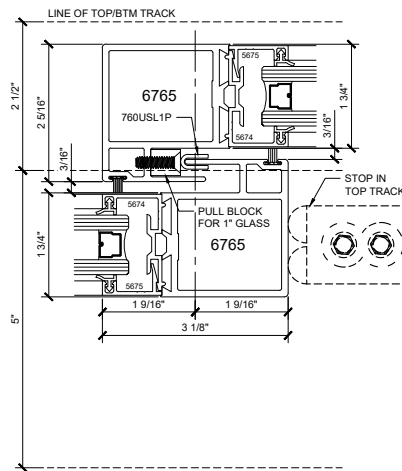
3.01



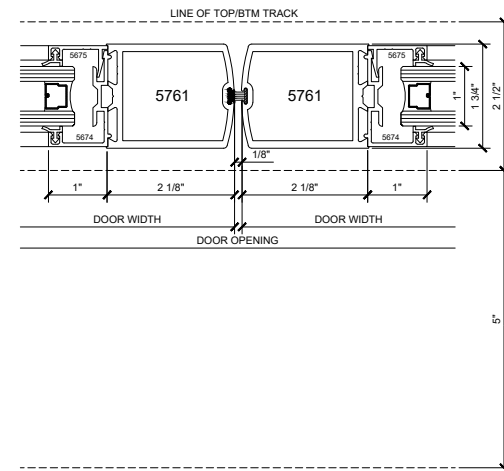
**E4** DOOR STILE @ POCKET DOOR  
SCALE: FULL



**F3** DOOR INTERLOCK  
SCALE: FULL



**F4** DOOR INTERLOCK  
SCALE: FULL



**G2** DOOR MEETING STILES  
SCALE: FULL

Architect: \_\_\_\_\_  
Phone: \_\_\_\_\_  
Fax: \_\_\_\_\_  
Contact: \_\_\_\_\_

Job Name: \_\_\_\_\_  
Phone: \_\_\_\_\_  
Fax: \_\_\_\_\_  
Contact: \_\_\_\_\_

Customer: \_\_\_\_\_  
Phone: \_\_\_\_\_  
Fax: \_\_\_\_\_  
Contact: \_\_\_\_\_

REV#	DATE	DRAWN BY	CHECKED BY
1			
2			
3			
4			
5			
6			
7			
8			
9			
10			

Drawn By: MH  
Checked By: \_\_\_\_\_  
Date: 09.12.22  
Scale: AS NOTED  
Project #: 000000