

FRAMELESS HARDWARE COMPANY LLC | 4361 Firestone Blvd. South Gate, CA 90208 | Toll Free: (888) 295-4531 | Fax: (323) 336-8307 | FHC-USA.COM

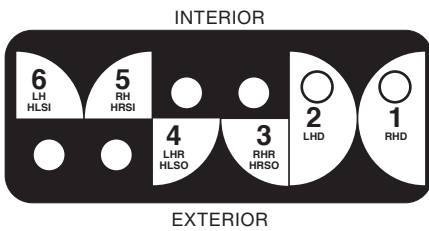
FHC ALUMINUM® DOOR & FRAME ORDER FORM

CUSTOMER INFORMATION

CUSTOMER/COMPANY NAME		DATE
CONTACT	CONTACT EMAIL	CUSTOMER PO
PHONE	FAX	JOB NAME
ADDRESS		PREPARED BY
CITY	STATE	ZIP

DOOR SERIES	THICKNESS	STILE	STANDARD PROFILE DIMENSIONS	
			TOP RAIL	BOTTOM RAIL
<input type="radio"/> 200 NARROW STILE LOGIC _____	1-3/4"	2-1/8"	2-1/4" (OHCC USE 3-1/4")	10"
<input type="radio"/> 300 MEDIUM STILE LOGIC _____	1-3/4"	3-3/4"	3-3/4"	10"
<input type="radio"/> 500 WIDE STILE LOGIC _____	1-3/4"	5"	6"	10"

DOOR SWING CHART



DOOR SIZE

NET DOOR SIZE:
 WIDTH _____ HEIGHT _____

DOOR OPENING SIZE:
 WIDTH _____ HEIGHT _____

SINGLE DOUBLE

DOOR GLAZING

3/16"

1/4"

1/2"

1"

THRESHOLD OPTION

4" STANDARD

UNDERCUT _____

NO THRESHOLD

CUSTOM _____

DOOR FINISH

11 CLEAR ANODIZED CLASS

22 DARK BRONZE

71 STANDARD 70% KYNAR® (2-COAT)
 PAINT COLOR: _____

DOOR TOP RAIL

STANDARD

CUSTOM _____

DOOR MID RAIL

9/16"

1-13/16"

3-1/4"

6"

CUSTOM _____

DOOR BOTTOM RAIL

STANDARD ADA 10"

CUSTOM _____

DOOR HINGE

OFFSET PIVOT

INTERMEDIATE PIVOT ADD:
 PER _____ DOOR

BUTT HINGE 1-1/2" PAIR

CENTER HUNG

CONCEALED CONTINUOUS HINGE

CUSTOM _____

NO CLOSER REQUIRED

DOOR HINGE CONTINUED

CUSTOM:
 Supplied by FHC Supplied by Customer

PREP & INSTALL PREP & SUPPLY

PREP ONLY (Note: Prep only requires manufacturer's Name, Model, and Template:
 Manufacturer: _____ Model: _____

NOTE: Doors over 96" tall require 1 additional hinge. Doors over 108" tall require 2 additional hinges.

DOOR CLOSER

O.H... CONCEALED (Double Acting-Prep Only)
 3010S Side Load & 3010GE Bottom Pivot

O.H. CONCEALED (Offset-Prep Only)

O.H. CONCEALED (Offset-Prep & Install 3010J0 Arm)

90° 105° HOLD OPEN YES NO

FLOOR CLOSER (Double Acting-Prep Only) Bottom Arm

FLOOR CLOSER (Offset-Arm) Prep Only

FHC SURFACE MOUNT CLOSER (Supplied Loose)

DROP PLATE (Supplied Loose)

CONCEALED TOP RAIL DOOR STOP/HOLDER
 DEGREE *Requires Special Top Rail _____

NO CLOSER REQUIRED

CUSTOM:
 Supplied by FHC Supplied by Customer

FHC ALUMINUM® DOOR & FRAME ORDER FORM

DOOR CLOSER CONTINUED

PREP & INSTALL PREP & SUPPLY

PREP ONLY (Note: Prep only requires Manufacturer's Name, Model, and Template:)

Manufacturer: _____ Model: _____

DOOR SWEEP

YES NO

DOOR LOCKING HARDWARE

MS HOOKBOLT WITH TWO CYLINDERS
1-1/8" BACKSET STD

LONG THROW DEADLOCK WITH CYLINDERS
1-1/8" BACKSET STD

3-POINT LOCKING AT PAIR WITH CYLINDERS

LATCHLOCK

CYLINDER (Ext.) THUMBTURN (Int.)

LOCK INDICATOR CYLINDER GUARD

FLUSHBOLTS LEVER LOCKSET

LEVER HANDLE Interior Back-to-Back

PUSH PADDLE Interior Back-to-Back

DOOR LOCKING HARDWARE

ELECTRIC STRIKE

SUPPLIED BY FHC

SUPPLIED BY CUSTOMER

PREP & INSTALL PREP & SUPPLY

PREP ONLY BLANK (NO PREP)

Note: Prep only requires Manufacturer's Name, Model, and Template:)

Manufacturer: _____ Model: _____

DOOR PUSH/PULL HARDWARE

PUSH AND PULL

PUSH (BACK-TO-BACK)

PULL (BACK-TO-BACK)

OFFSET PULLS EXTERIOR ONLY

NONE

PREP & SUPPLY

PREP ONLY BLANK (No Prep)

CUSTOM (MODEL & TEMPLATE)
Manufacturer: _____
Model: _____

DOOR PANIC DEVICES

CONCEALED VERTICAL ROD PANICS

3600 FIRST CHOICE ACTIVE DOOR

INACTIVE DOOR

WITH CYLINDER ACTIVE DOOR

INACTIVE DOOR

EXIT ONLY WITH EXTERIOR LEVER TRIM

PREP & INSTALL PREP & SUPPLY

PREP ONLY BLANK (NO PREP)

RIM PANICS

3700 FIRST CHOICE

WITH CYLINDER ACTIVE DOOR

EXIT ONLY WITH EXTERIOR LEVER TRIM

REMOVABLE MULLION (For Pair of Doors)

PREP & INSTALL PREP & SUPPLY

PREP ONLY BLANK (NO PREP)

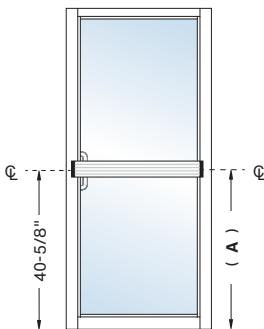
CUSTOM (MODEL & TEMPLATE)

Manufacturer: _____

Model: _____

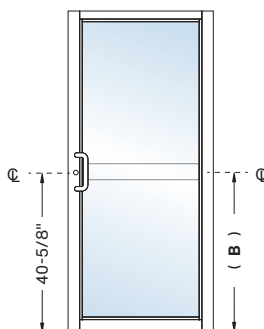
STANDARD DOOR HARDWARE LOCATION

CONCEALED VERTICAL ROD PANIC



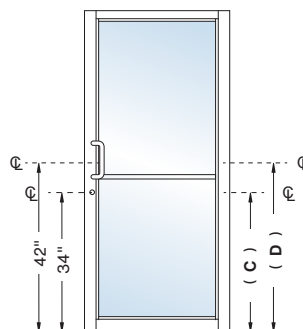
A: CUSTOM LOCATION SPECIFY:

RIM PANIC



B: CUSTOM LOCATION SPECIFY:

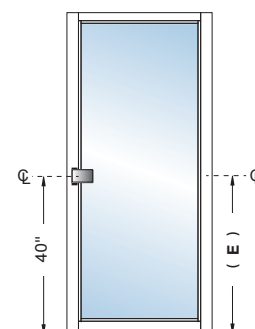
PUSH/PULL & CYLINDER



C: CUSTOM LOCATION SPECIFY:

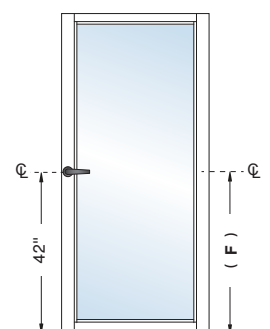
D: CUSTOM LOCATION SPECIFY:

PADDLE LEVER NO PULL HANDLE



E: CUSTOM LOCATION SPECIFY:

CYLINDRICAL LEVER OR BACK-TO-BACK LEVER

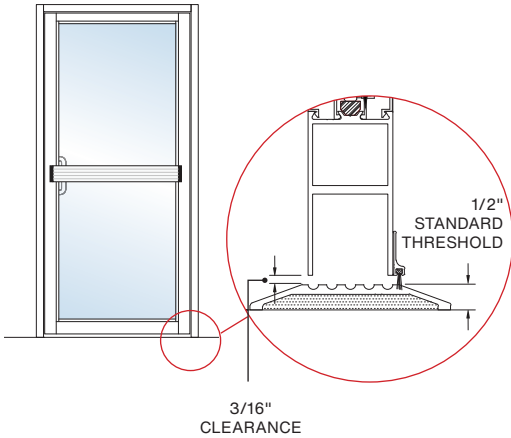


F: CUSTOM LOCATION SPECIFY:

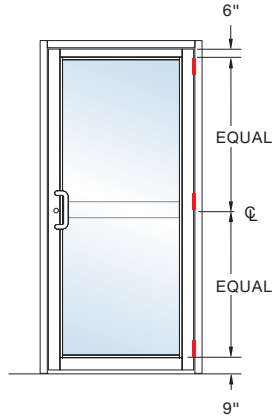
FHC ALUMINUM® DOOR & FRAME ORDER FORM

STANDARD HARDWARE LOCATION

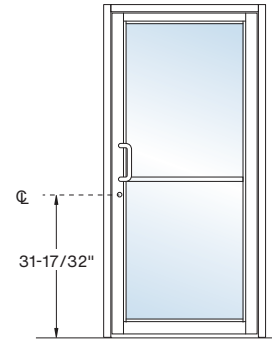
STANDARD THRESHOLD CLEARANCE



STANDARD BUTT HINGED LOCATION FOR 36" X 84" OPENING



STANDARD STRIKE LOCATION FROM THE FLOOR TO CENTER LINE OF PREP HOOK LOCK



FRAME SERIES 9"

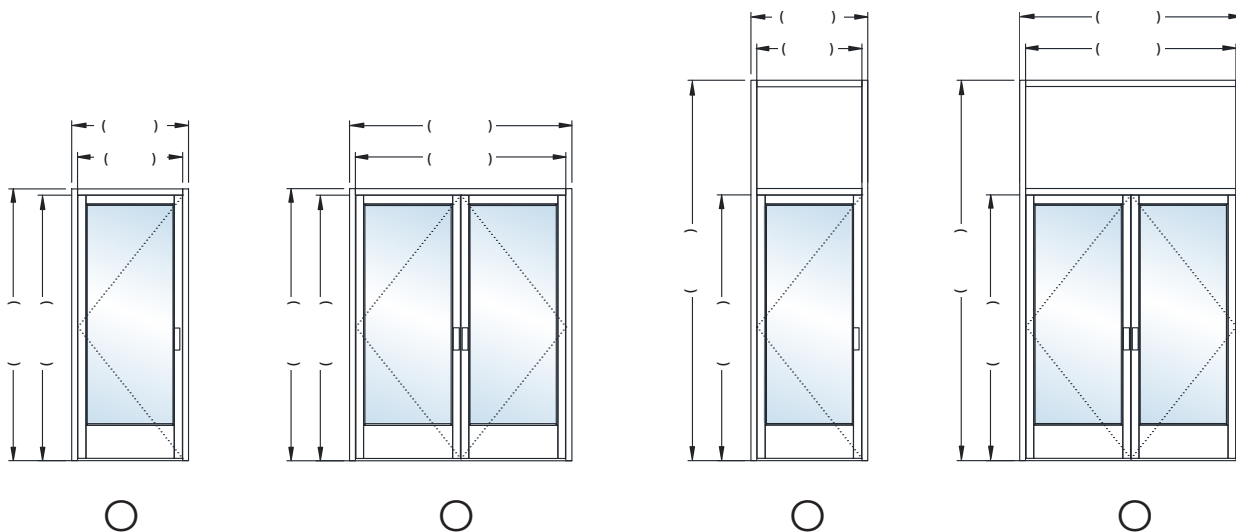
- F1 SERIES 1-3/4" X 4-1/2" OPEN BACK LOGIC _____
- F2 SERIES 2" X 4-1/2" OPEN BACK LOGIC _____
- CUSTOM _____

FRAME LOCK PREP

- PREP FOR LOCK AT HEADER _____
- PREP FOR LOCK AT JAMB _____
- PREP FOR LOCK AT THRESHOLD _____

FRAME TYPE

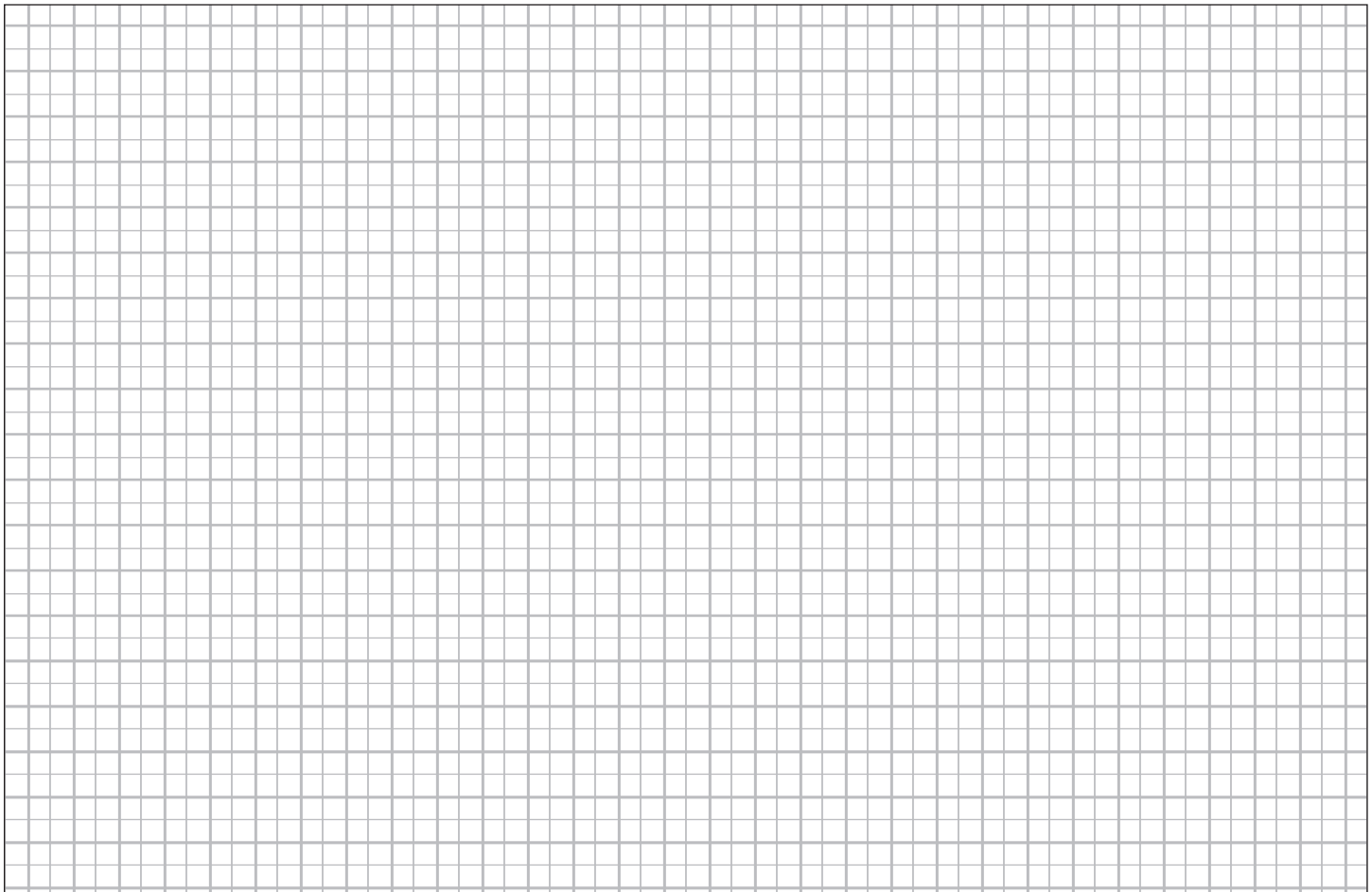
- UP AND OVER (NO TRANSOM) _____
- WITH TRANSOM LOGIC _____
(126" Standard Height)
- FRAME ONLY _____
- DOOR ONLY (NO FRAME) _____
- HEADER ONLY _____
- CUSTOM _____



FHC ALUMINUM® DOOR & FRAME ORDER FORM

ADDITIONAL HARDWARE / NOTES

ELEVATION SKETCH



APPROVED BY:

SIGNATURE

PRINT

DATE