

GLASS CLAMPS

180 Degree Glass-to-Glass Mount
Pivotal Transom Clamp Beveled Profile
ITEM NO. BPT1G

SPECIFICATIONS

Glass Sizes: 3/8" to 1/2" (10 to 12 mm) Tempered Glass Only
Construction: Solid Brass
Cutout Required: Cutout No. SD31
Includes: Clamp body, glazing gaskets, mounting screws, and fabrication template.
Use: Residential Bath and Commercial Hotel Applications

GASKET SPECIFICATIONS:

For 3/8" (10mm) Glass: Use One Thick Gasket On Each Side

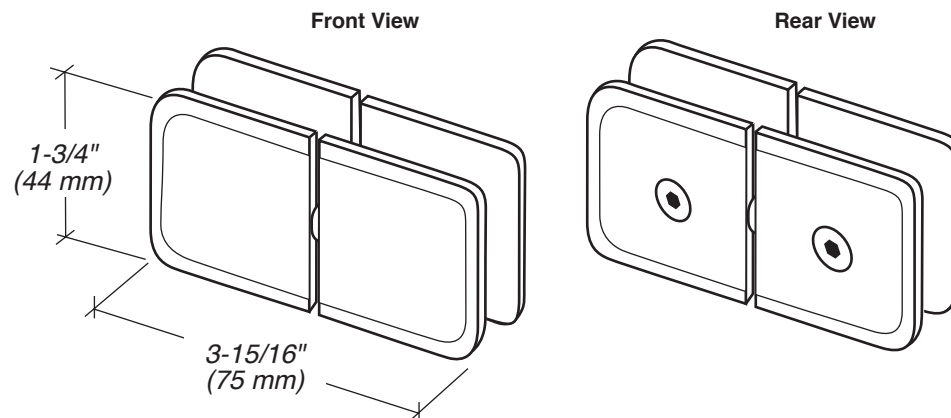
For 1/2" (12mm) Glass: Use One Thin Gasket On Each Side

GLASS INSTRUCTIONS:

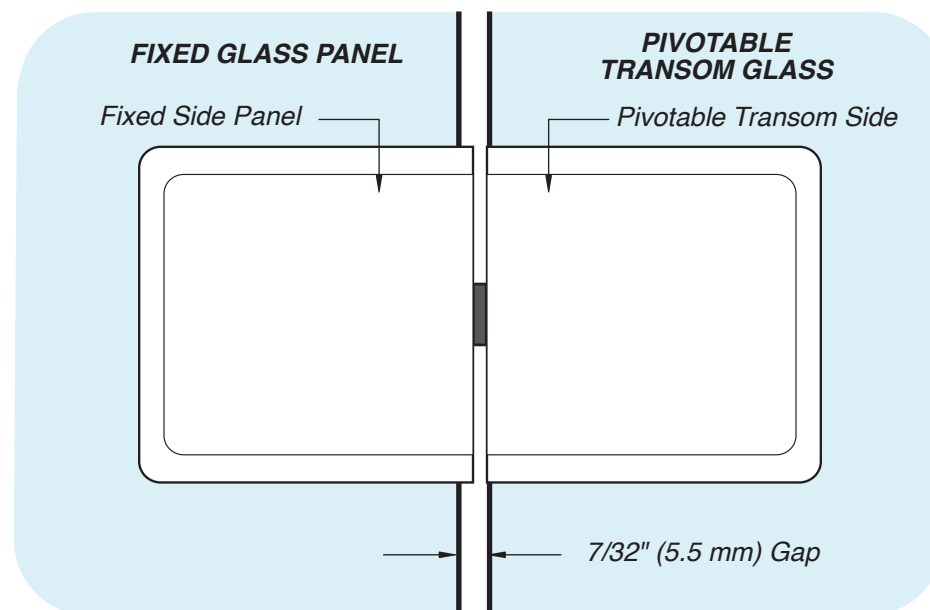
Only use tempered safety glass. To prevent damage to the clamp finish during installation, do not use power tools when installing these clamps. Maximum transom size not to exceed 18" x 32". **Note:** To prevent binding during normal pivoting transom operation, during installation insure the transom clamps are centered and aligned properly.

CARE & CLEANING GUIDELINES:

For best results, keep the following recommendations in mind when caring for your FHC shower door hardware. Your shower door hardware should be dried daily with a soft towel or cloth to insure its original finish. Do not use harsh cleaners or chemicals on the hardware, as many of the components are coated with a clear lacquer that will become damaged beyond repair. Always test your cleaning solution in an inconspicuous area prior to cleaning the entire hardware surface. Wipe surfaces clean using a soft dampened cloth or sponge and rinse completely with warm water immediately after applying the cleaning solution. Use only small amounts of liquid, gentle cleaner. Never use abrasive products, sponges, or wire scrub brushes while cleaning hardware.



TYPICAL INSTALLATION



GLASS CLAMPS

180 Degree Glass-to-Glass Mount
 Pivotal Transom Clamp Beveled Profile
 ITEM NO. BPT1G

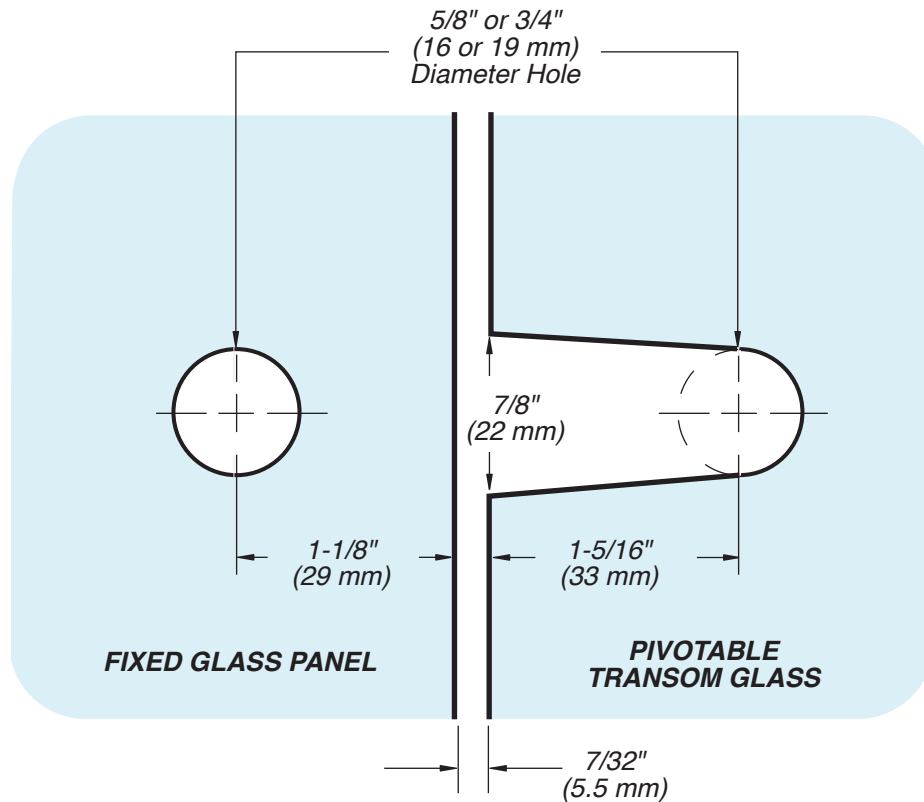


DO NOT MEASURE / SCALE DRAWING
 USE DIMENSIONS SHOWN

Cutout No. SD31

TEMPLATE FOR FIXED PANEL TO PIVOTABLE TRANSOM GLASS

IMPORTANT:
 Measure from Finished
 Edge of Glass



USE ONLY
 MONOLITHIC
 TEMPERED GLASS



For Technical Support
 Call Toll Free in the U.S.
 (888) 295-4531