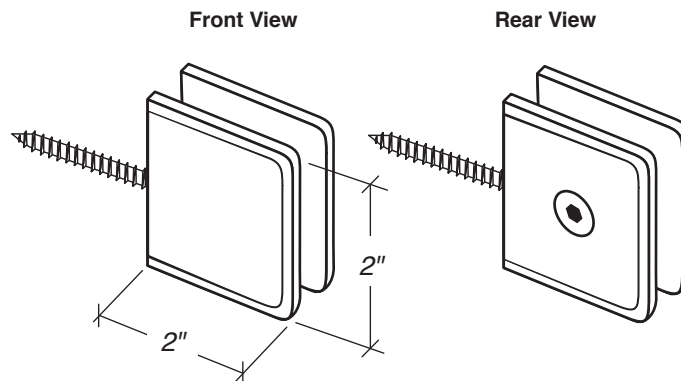


GLASS CLAMPS

Wall Mount Pivotal Transom Clamp
Beveled Profile
ITEM NO. BPT1W

SPECIFICATIONS

Glass Sizes: 3/8" to 1/2" (10 to 12 mm) Tempered Glass Only
Construction: Solid Brass
Cutout Required: Cutout No. SD32
Includes: Clamp body, glazing gaskets, mounting screws, and fabrication template.
Use: Residential Bath and Commercial Hotel Applications



DO NOT MEASURE / SCALE DRAWING
USE DIMENSIONS SHOWN



Cutout No. SD32



IMPORTANT:
Measure from Finished
Edge of Glass

TEMPLATE FOR WALL TO PIVOTAL TRANSOM GLASS

GASKET SPECIFICATIONS:

For 3/8" (10mm) Glass: Use One Thick Gasket On Each Side
For 1/2" (12mm) Glass: Use One Thick Gasket On Each Side

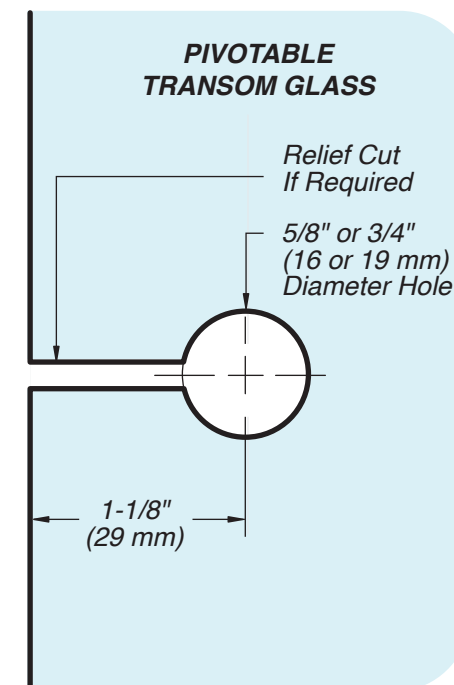
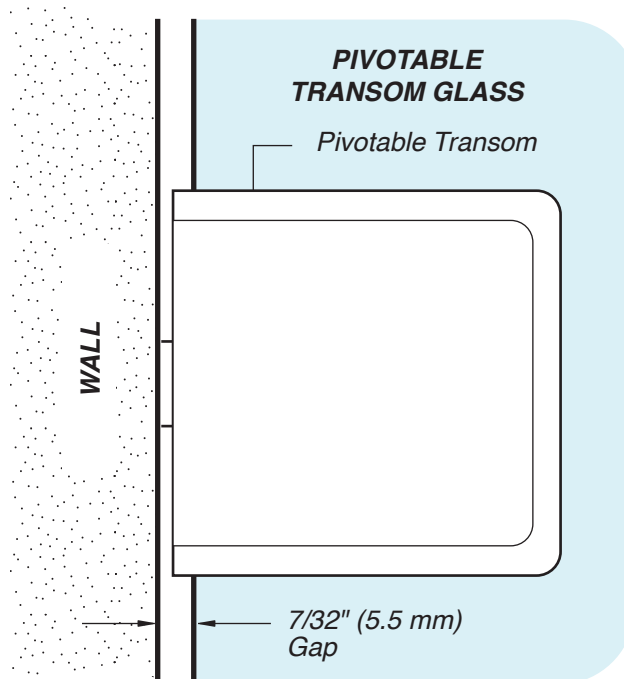
GLASS INSTRUCTIONS:

Only use tempered safety glass. To prevent damage to the clamp finish during installation, do not use power tools when installing these clamps. Maximum transom size not to exceed 18" x 32". **Note:** To prevent binding during normal pivoting transom operation, during installation insure the transom clamps are centered and aligned properly.

CARE & CLEANING GUIDELINES:

For best results, keep the following recommendations in mind when caring for your FHC shower door hardware. Your shower door hardware should be dried daily with a soft towel or cloth to insure its original finish. Do not use harsh cleaners or chemicals on the hardware, as many of the components are coated with a clear lacquer that will become damaged beyond repair. Always test your cleaning solution in an inconspicuous area prior to cleaning the entire hardware surface. Wipe surfaces clean using a soft dampened cloth or sponge and rinse completely with warm water immediately after applying the cleaning solution. Use only small amounts of liquid, gentle cleaner. Never use abrasive products, sponges, or wire scrub brushes while cleaning hardware.

TYPICAL INSTALLATION



USE ONLY
MONOLITHIC
TEMPERED GLASS



For Technical Support
Call Toll Free in the U.S.
(888) 295-4531