

TOWEL BAR

24" Tubular Single-Sided Towel Bar
ITEM NO. TBR24



DO NOT MEASURE / SCALE DRAWING
USE DIMENSIONS SHOWN

SPECIFICATIONS

Glass Sizes: 1/4" to 1/2" (6 to 12 mm) Tempered Glass Only
Construction: Heavy Duty 3/4" Diameter Tubular Solid Brass
Fabrication Required: (2) 1/2" (12 mm) Diameter Holes
Includes: Towel bar body, clear gaskets, mounting screws, and fabrication template.
Use: Residential Bath and Commercial Hotel Applications

GASKET SPECIFICATIONS:

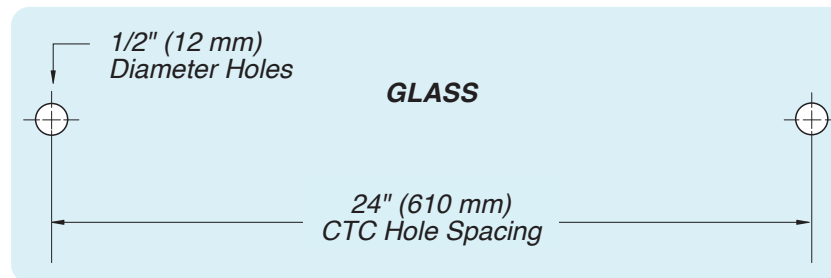
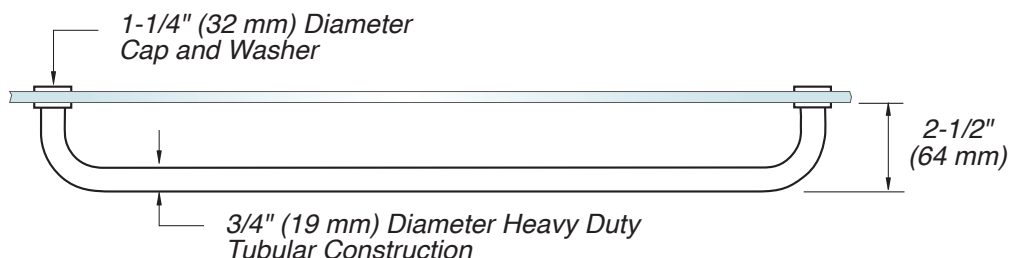
Each FHC Towel Bar includes (2) sets of clear nylon spacers and (2) grommets to prevent metal from coming into contact with the tempered glass.

GLASS INSTRUCTIONS:

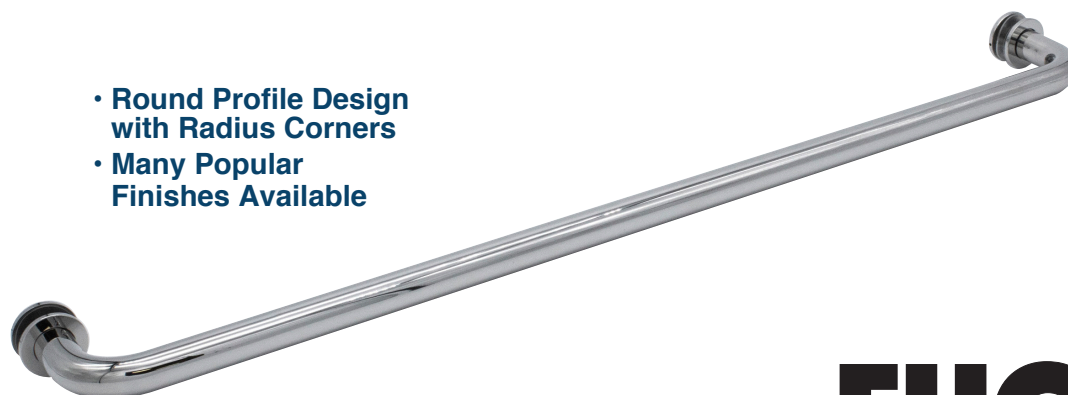
Only use tempered safety glass.
Two 1/2" (12 mm) Diameter Holes in Glass.

CARE & CLEANING GUIDELINES:

For best results, keep the following recommendations in mind when caring for your FHC shower door hardware. Your shower door hardware should be dried daily with a soft towel or cloth to insure its original finish. Do not use harsh cleaners or chemicals on the hardware, as many of the components are coated with a clear lacquer that will become damaged beyond repair. Always test your cleaning solution in an inconspicuous area prior to cleaning the entire hardware surface. Wipe surfaces clean using a soft dampened cloth or sponge and rinse completely with warm water immediately after applying the cleaning solution. Use only small amounts of liquid, gentle cleaner. Never use abrasive products, sponges, or wire scrub brushes while cleaning hardware.



- Round Profile Design with Radius Corners
- Many Popular Finishes Available



USE ONLY
MONOLITHIC
TEMPERED GLASS



For Technical Support
Call Toll Free in the U.S.
(888) 295-4531