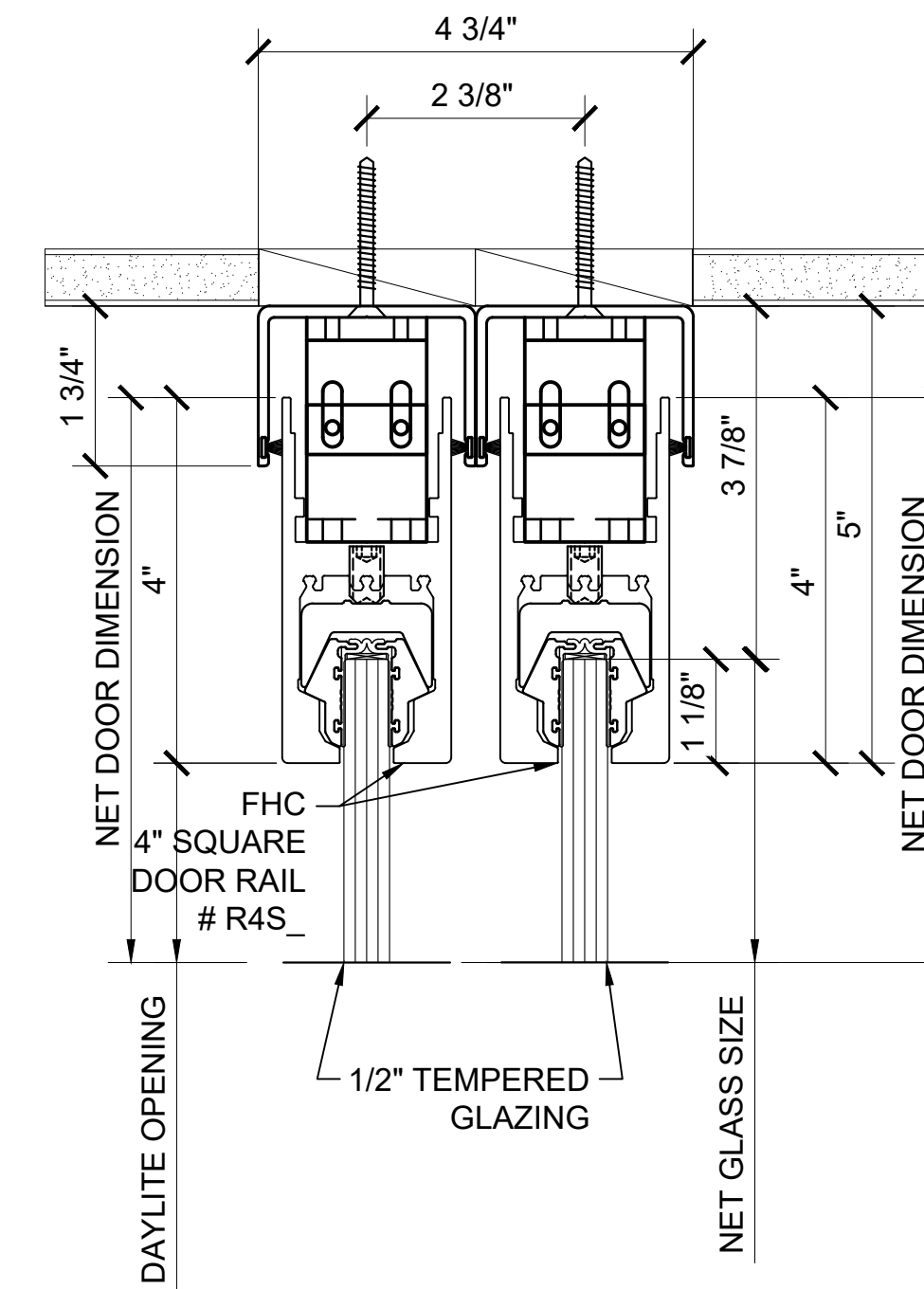
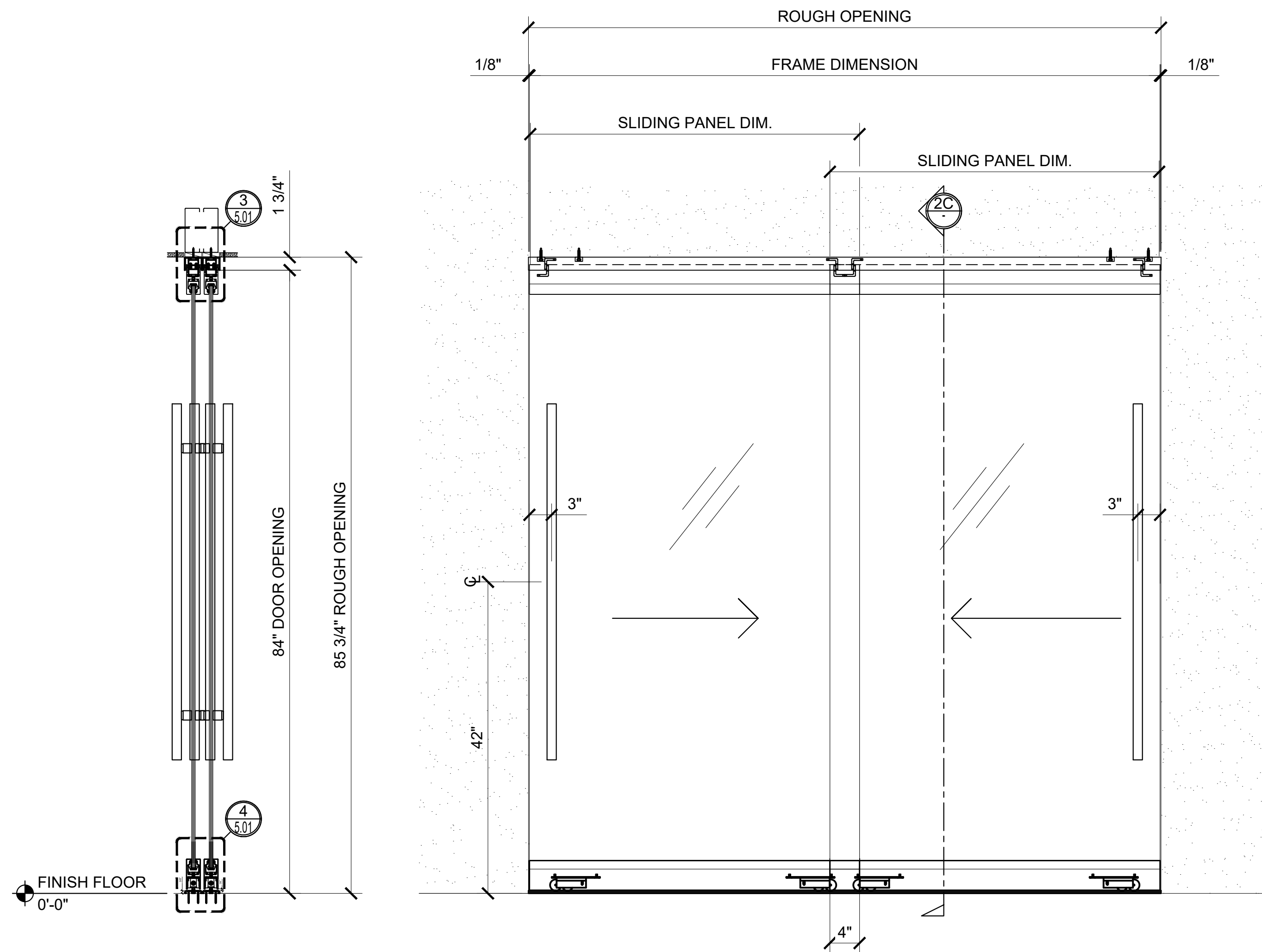


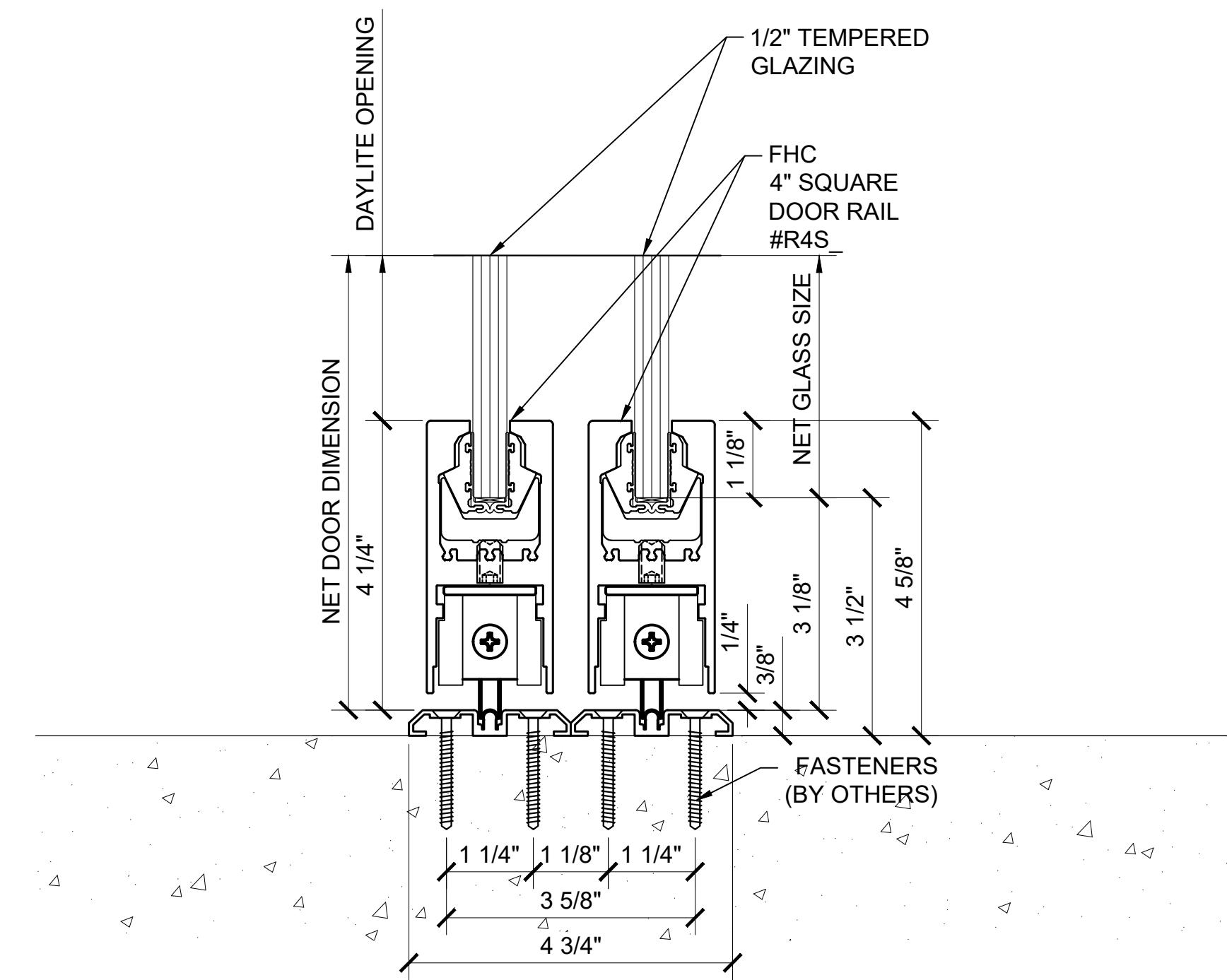
FHC PREMIUM SLIDING DOOR SYSTEMS ~ MODEL BRS100



1C 4" RAIL R4S_ENLARGED VIEW

ARCH REF: NONE

6" = 1'-0"



1B 4" RAIL R4S_ENLARGED VIEW

ARCH REF: NONE

6" = 1'-0"



Architect:

Phone:
Fax:
Contact:

Job Name:

Phone:
Fax:
Contact:

Customer:

Phone:
Fax:
Contact:

DRAWN BY

YSL

JPL

REV#

DATE

11/15/20

11/25/20

1

2

3

4

5

6

Drawn By: YSL

Checked By: PM

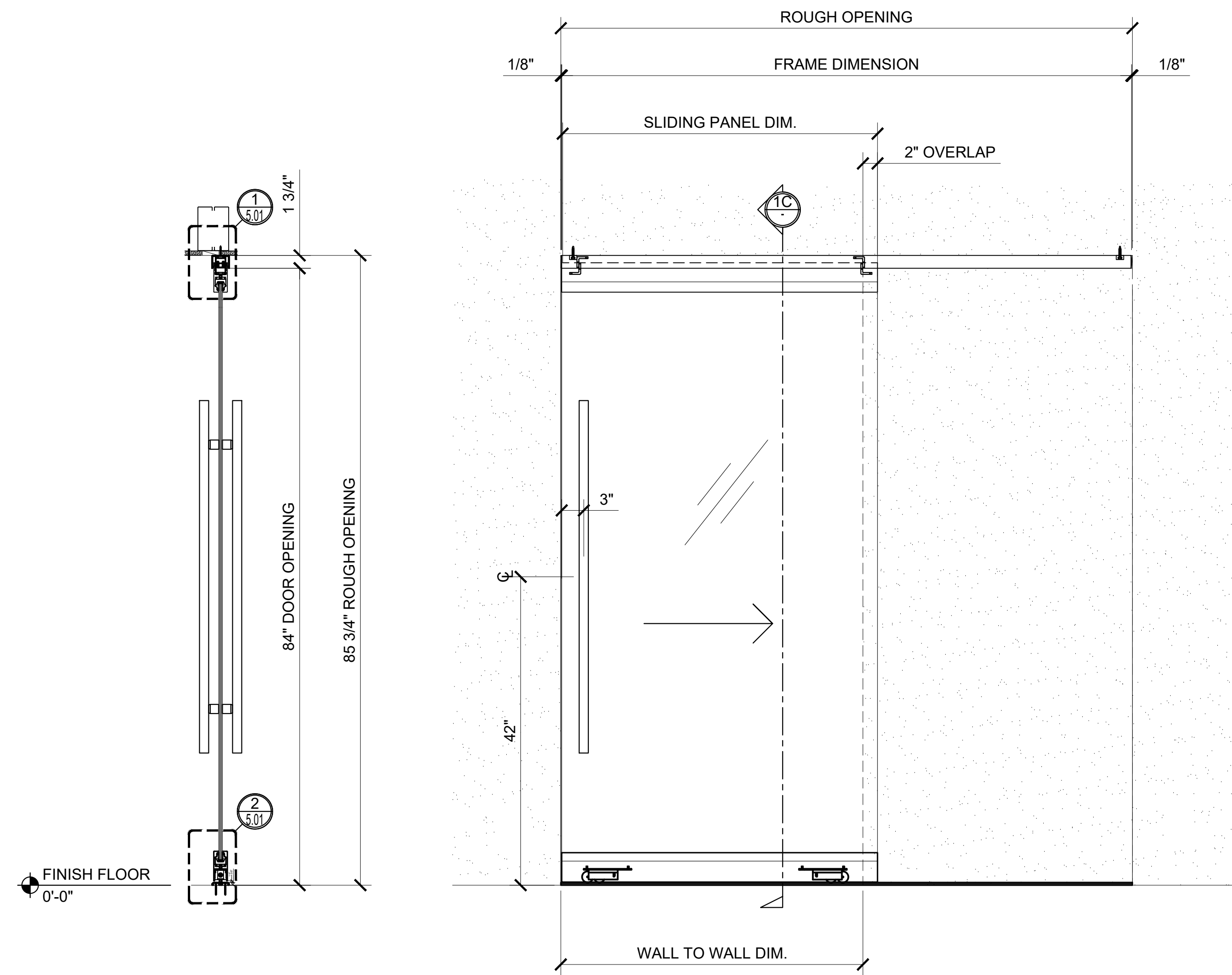
Date: 00/00/19

Scale: AS NOTED

Project #: 000000

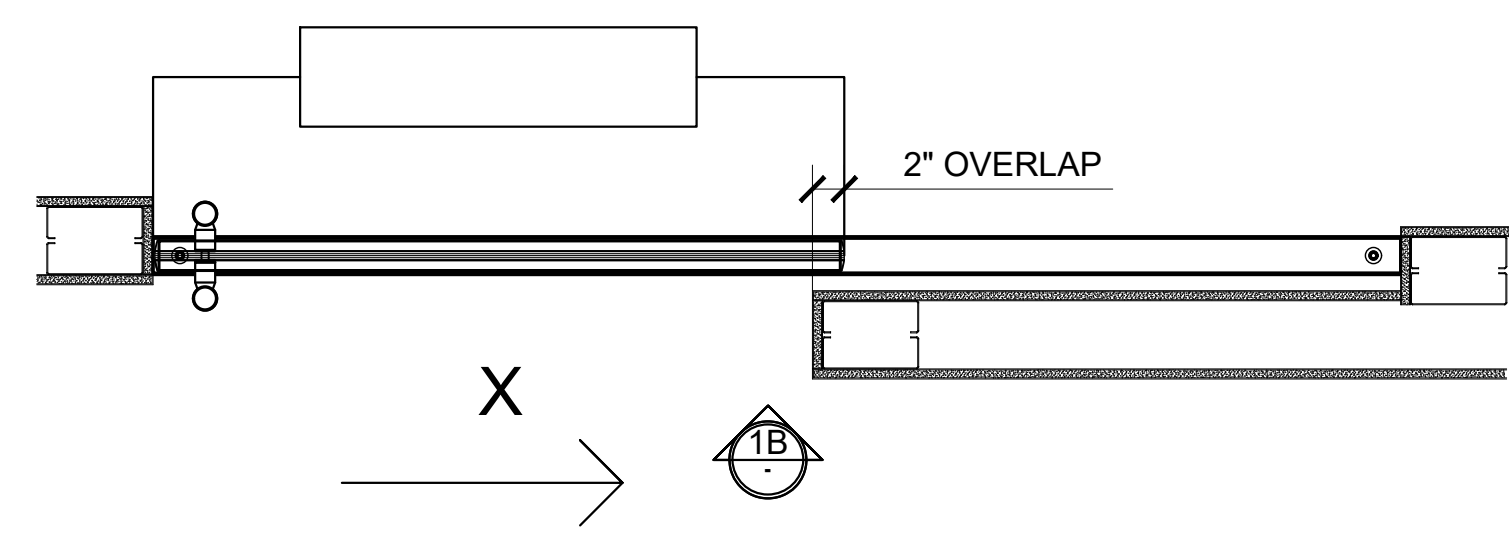
Sheet No.

FHC PREMIUM SLIDING DOOR SYSTEMS ~ MODEL BRS100

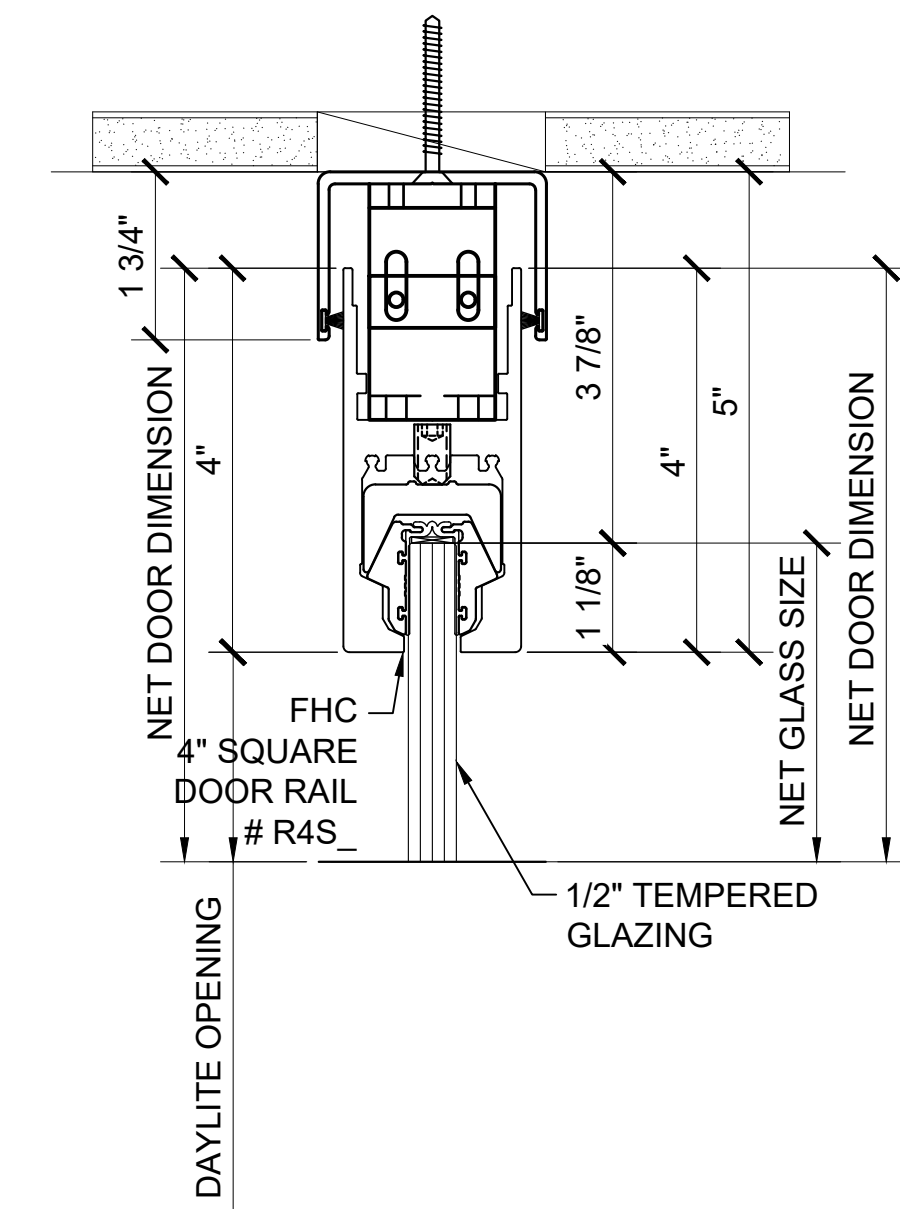


1C X - SECTION
ARCH REF: NONE 1" = 1'-0"

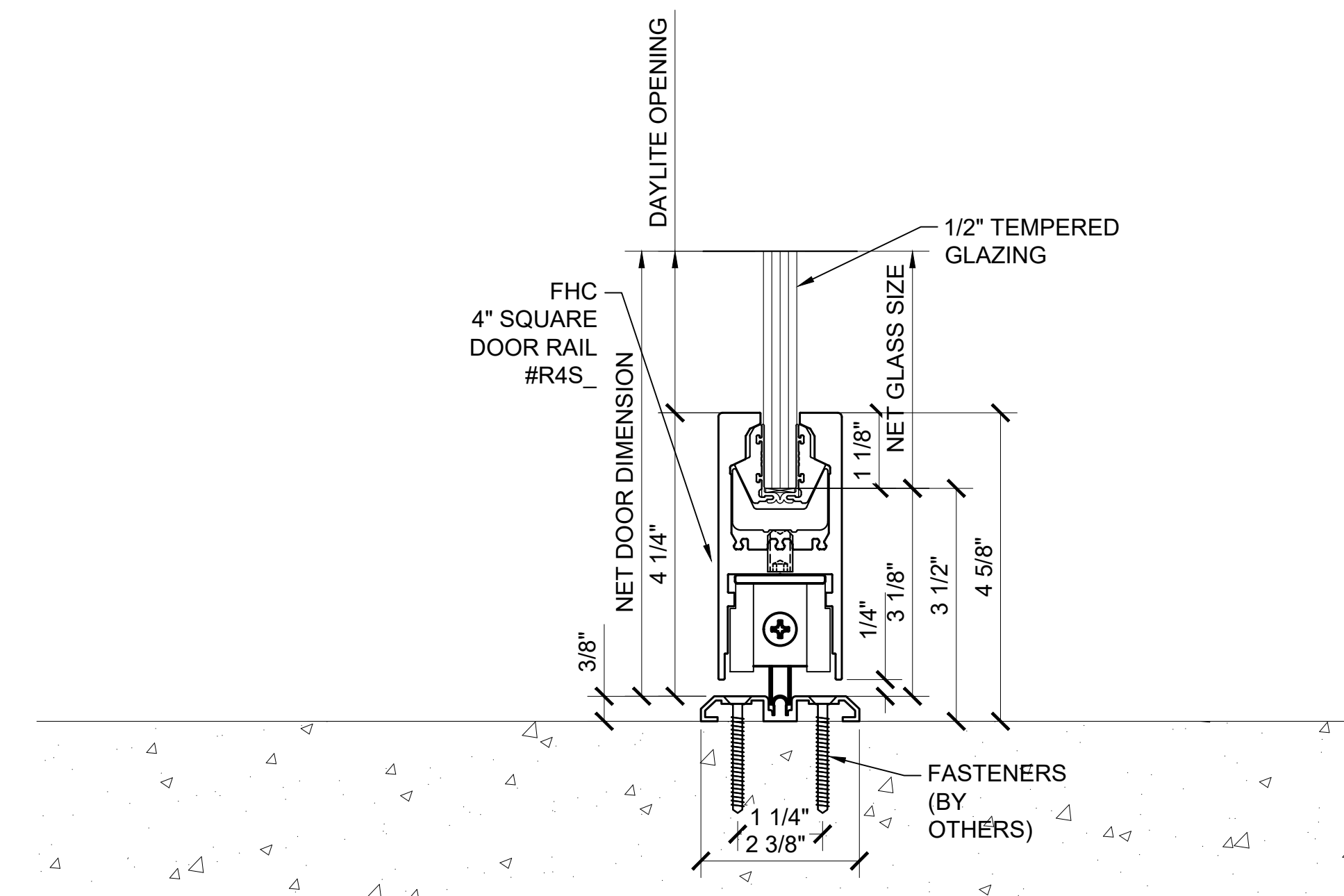
1B X - ELEVATION
ARCH REF: NONE 1" = 1'-0"



1A X SINGLE DOOR W/ POCKET - PLAN
ARCH REF: NONE 1" = 1'-0"



1C 4\"/>



1B 4\"/>



Architect: _____
Phone: _____
Fax: _____
Contact: _____

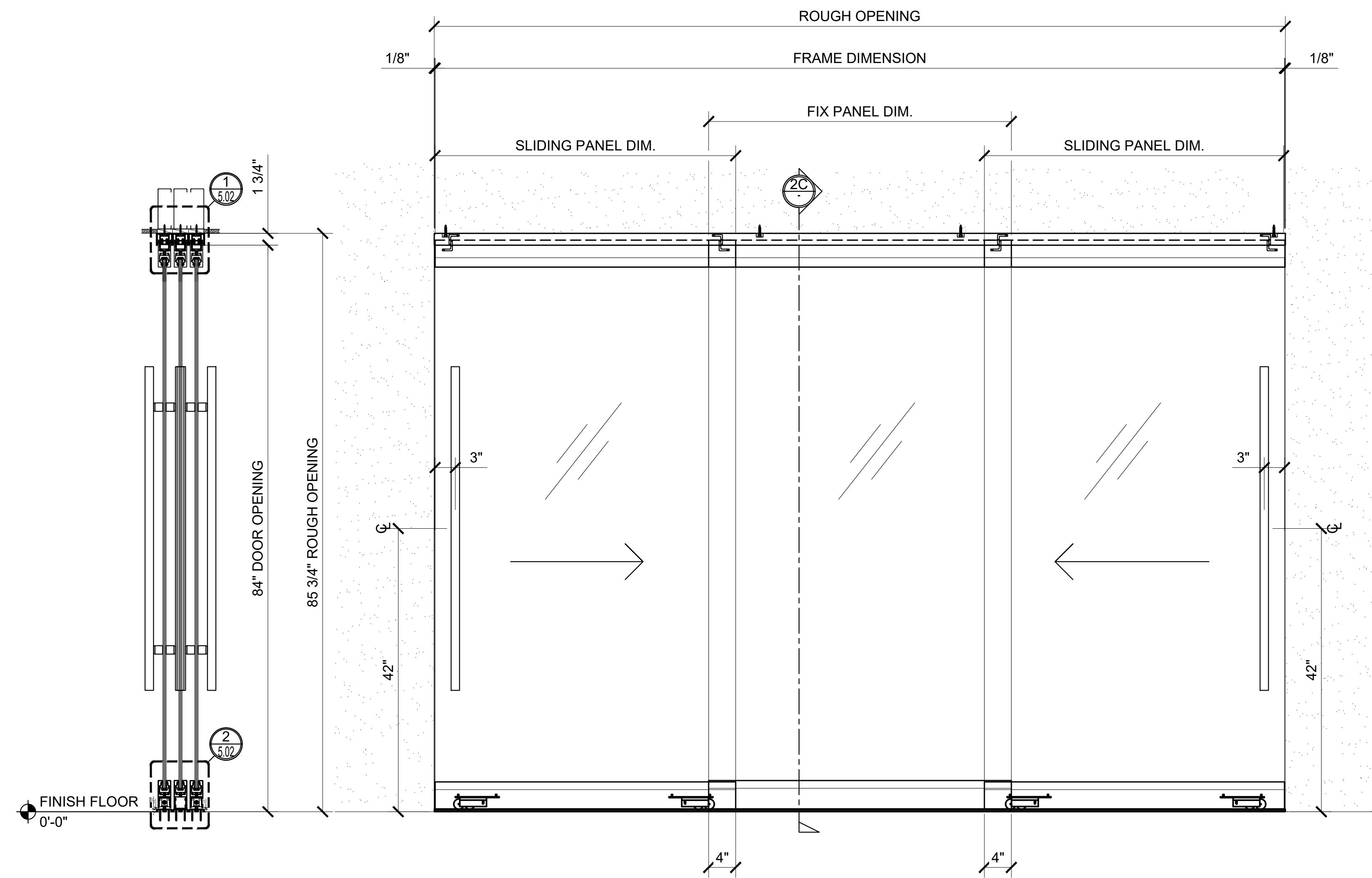
Job Name: _____
Phone: _____
Fax: _____
Contact: _____

Customer: _____
Phone: _____
Fax: _____
Contact: _____

REV#	DATE	DRAWN BY
0	11/15/20	YSL
1	11/25/20	JPL
2		
3		
4		
5		
6		

Drawn By: YSL
Checked By: PM
Date: 00/00/19
Scale: AS NOTED
Project #: 000000

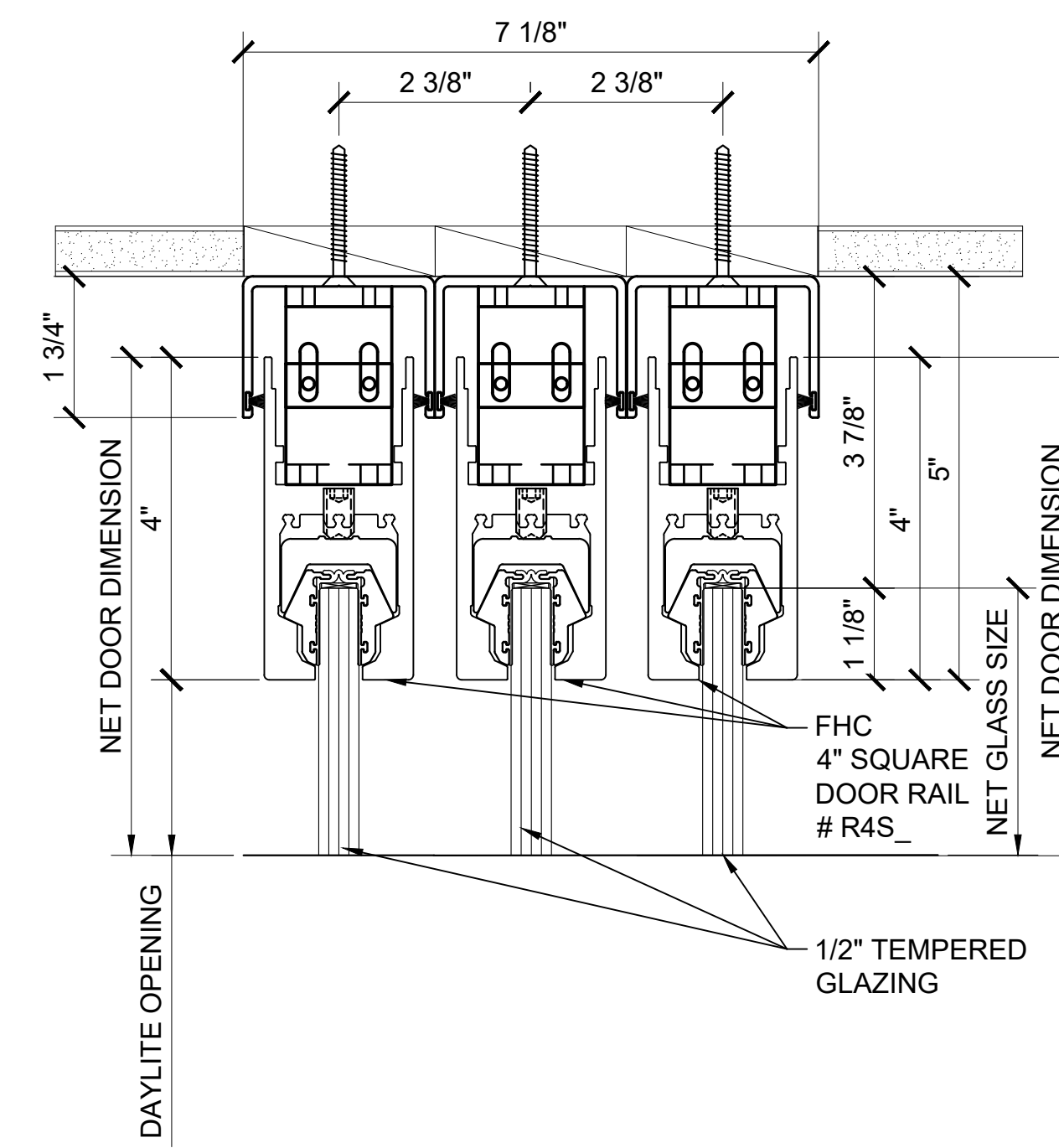
FHC PREMIUM SLIDING DOOR SYSTEMS ~ MODEL BRS100



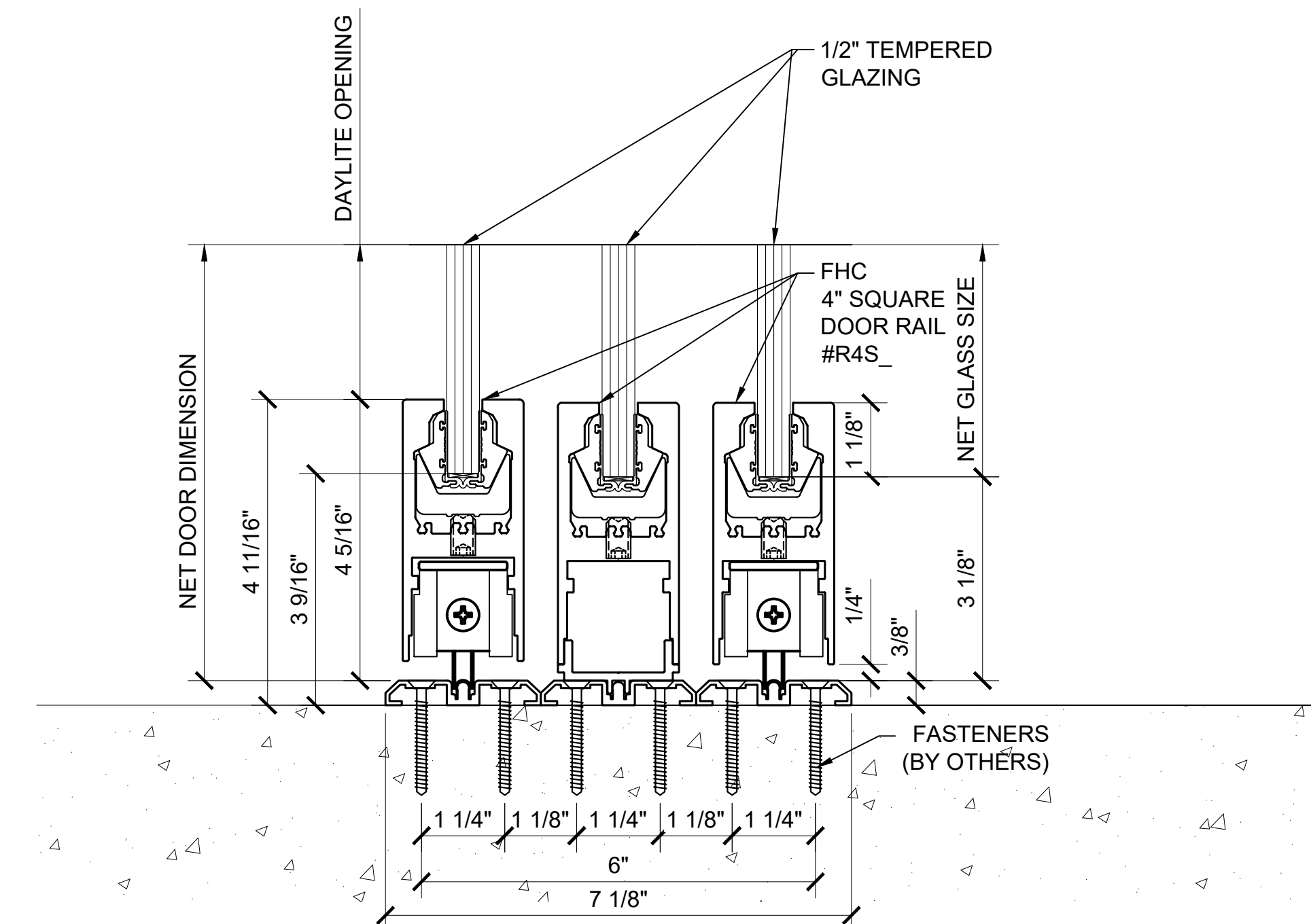
2C XOX - SECTION
ARCH REF: NONE 1" = 1'-0"

2B XOX - ELEVATION
ARCH REF: NONE 1" = 1'-0"

2A XOX DOUBLE DOOR W/ FIXED PANEL - PLAN
ARCH REF: NONE 1" = 1'-0"



1C 4" RAIL R4S_ENLARGED VIEW
ARCH REF: NONE 6" = 1'-0"



1B 4" RAIL R4S_ENLARGED VIEW
ARCH REF: NONE 6" = 1'-0"



Architect: Phone: Fax: Contact:

Job Name: Phone: Fax: Contact:

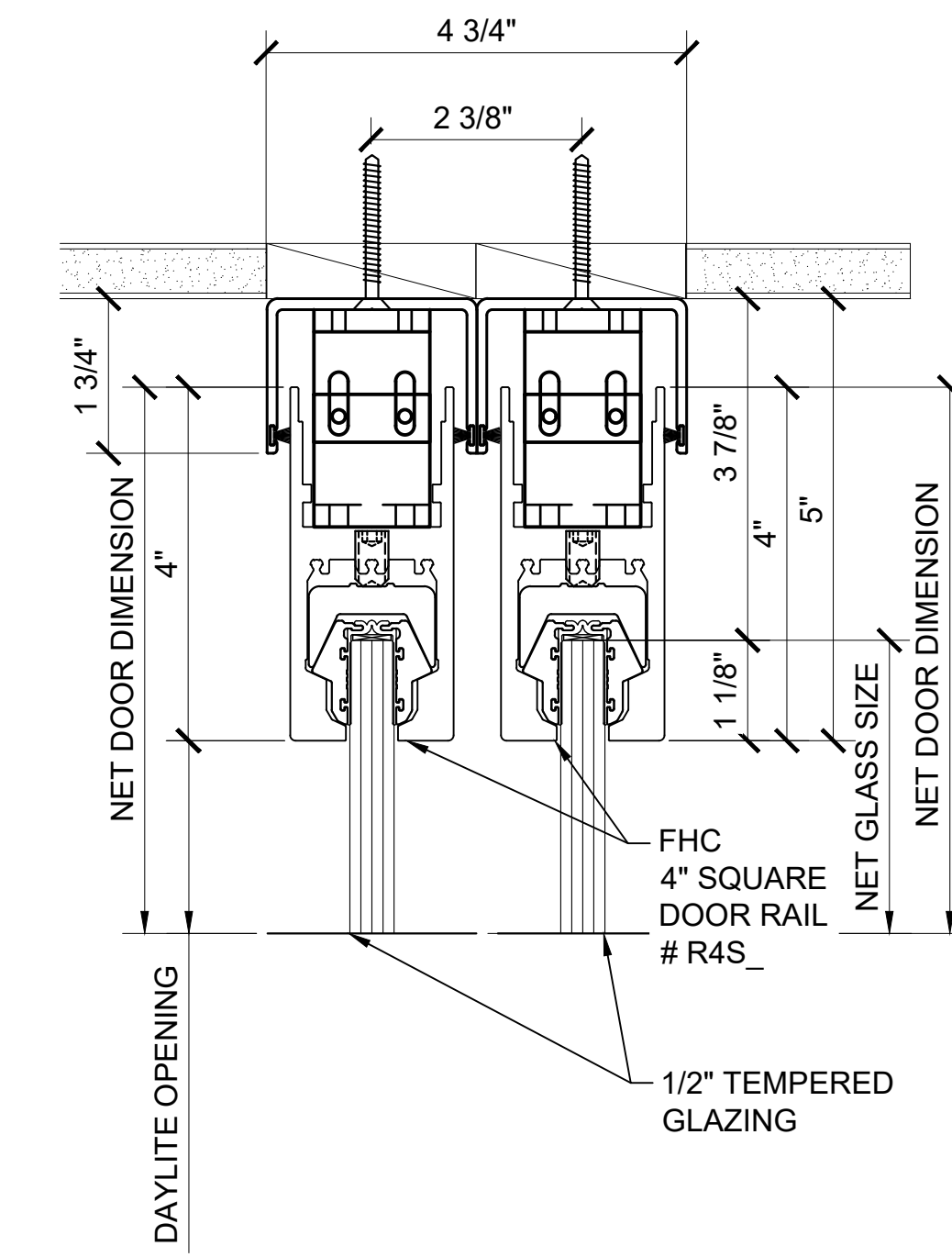
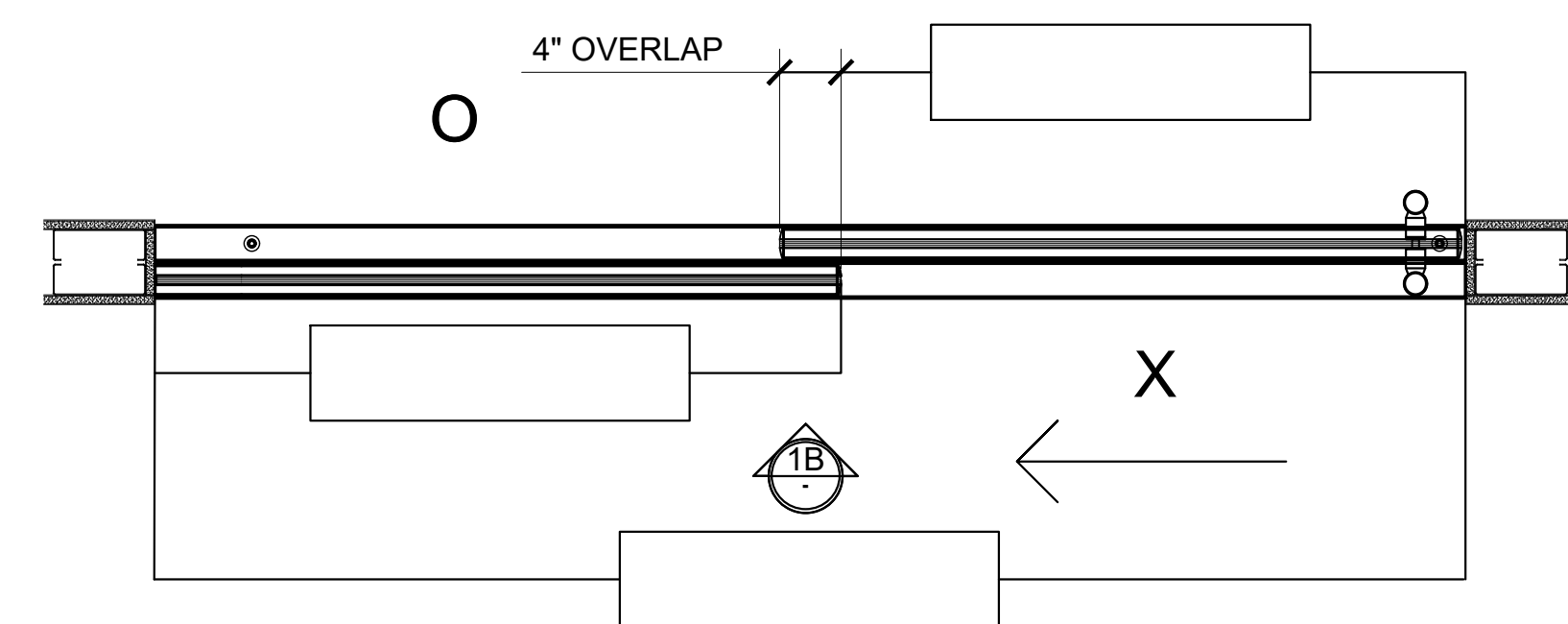
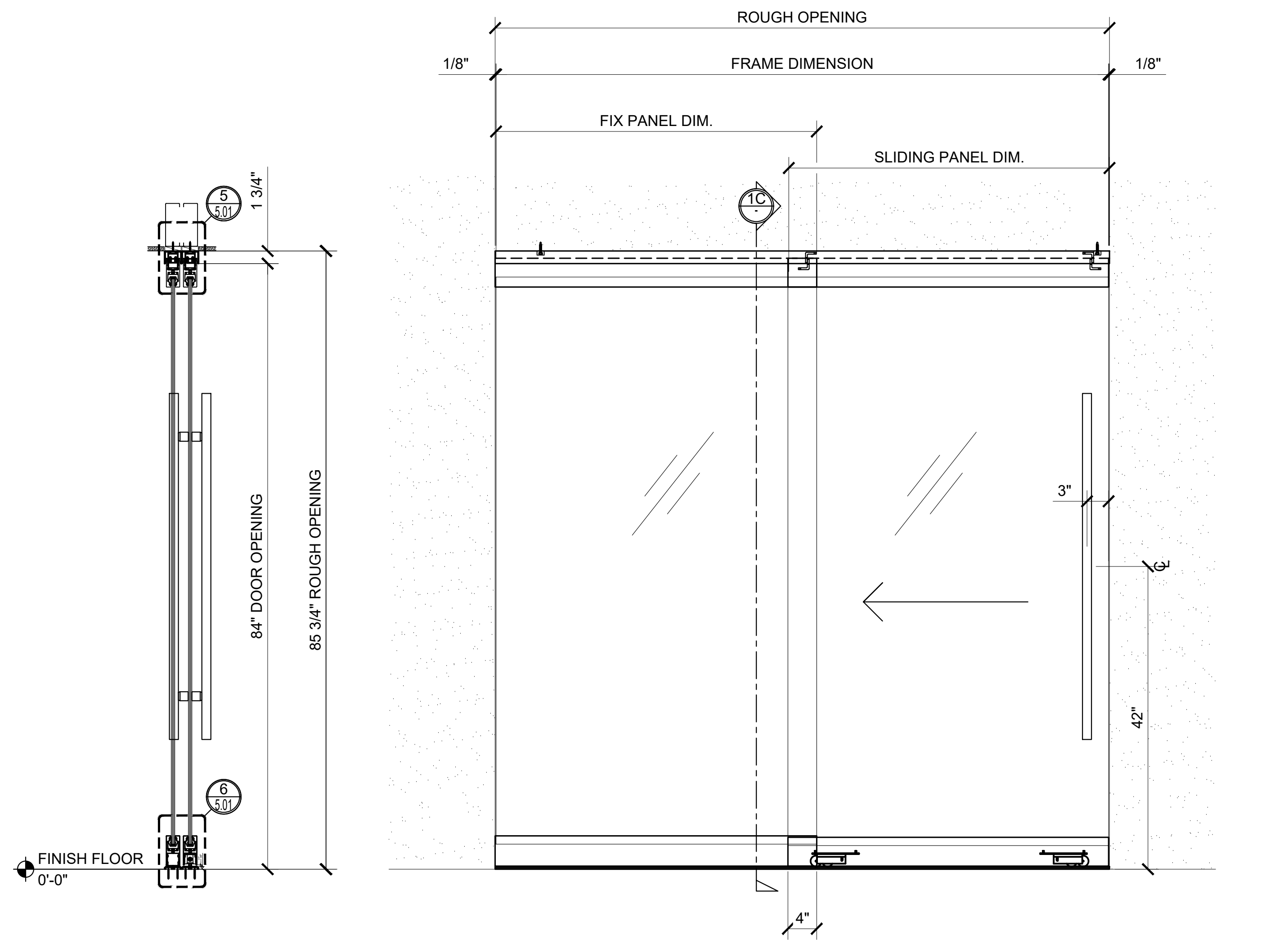
Customer: Phone: Fax: Contact:

REV#	DATE	DRAWN BY
0	11/15/20	YSL
1	11/25/20	JPL
2		
3		
4		
5		
6		

Drawn By: YSL
Checked By: PM
Date: 00/00/19
Scale: AS NOTED
Project #: 000000

Sheet No.

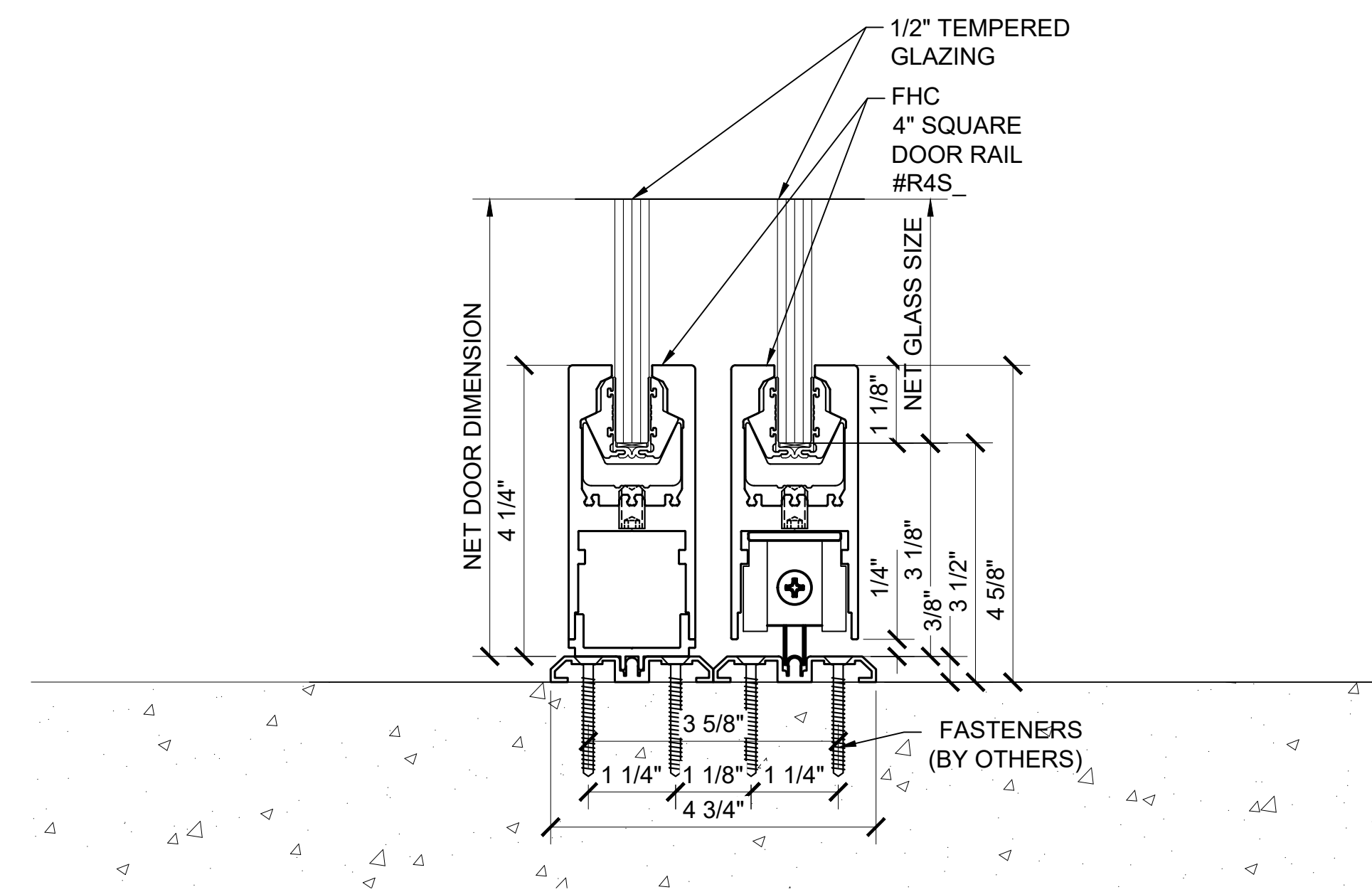
FHC PREMIUM SLIDING DOOR SYSTEMS ~ MODEL BRS100



1C 4" RAIL R4S_ENLARGED VIEW

ARCH REF: NONE

6" = 1'-0"



1B 4" RAIL R4S_ENLARGED VIEW

ARCH REF: NONE

6" = 1'-0"



Architect:

Phone:
Fax:
Contact:

Job Name:

Phone:
Fax:
Contact:

Customer:

Phone:
Fax:
Contact:

DRAWN BY

YSL

DATE

11/15/20

Drawn By: YSL

Checked By: PM

Date: 00/00/19

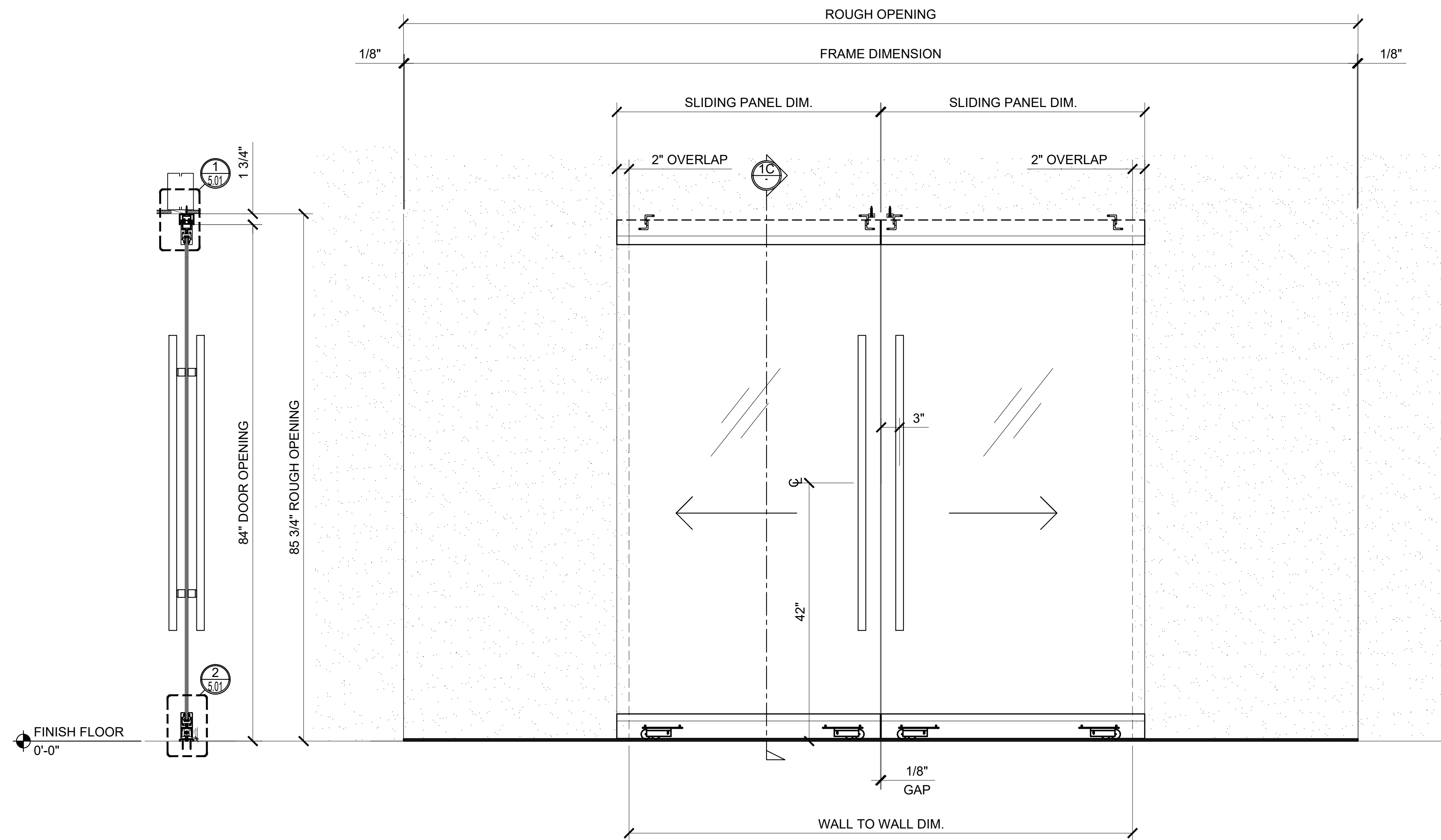
Scale: AS NOTED

Project #: 000000

Sheet No.

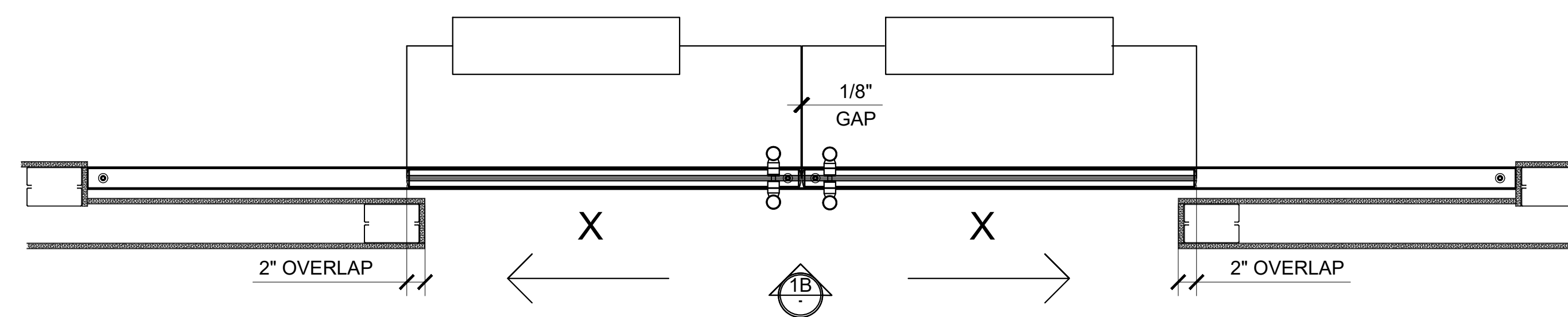
REV#	DATE	DRAWN BY
0	11/15/20	YSL
1	11/25/20	JPL
2		
3		
4		
5		
6		

FHC PREMIUM SLIDING DOOR SYSTEMS ~ MODEL BRS100

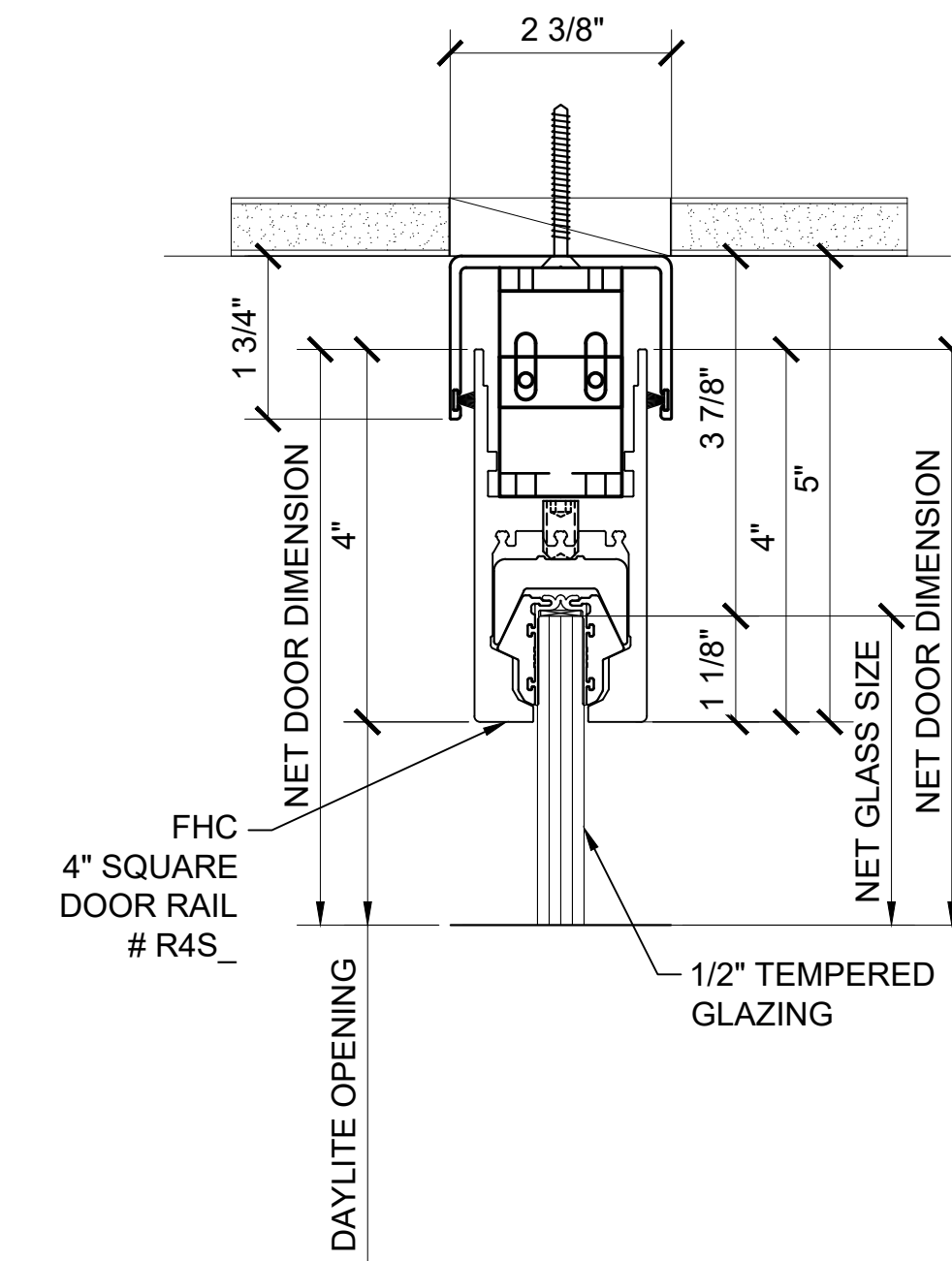


1C XX - SECTION
ARCH REF: NONE 1" = 1'-0"

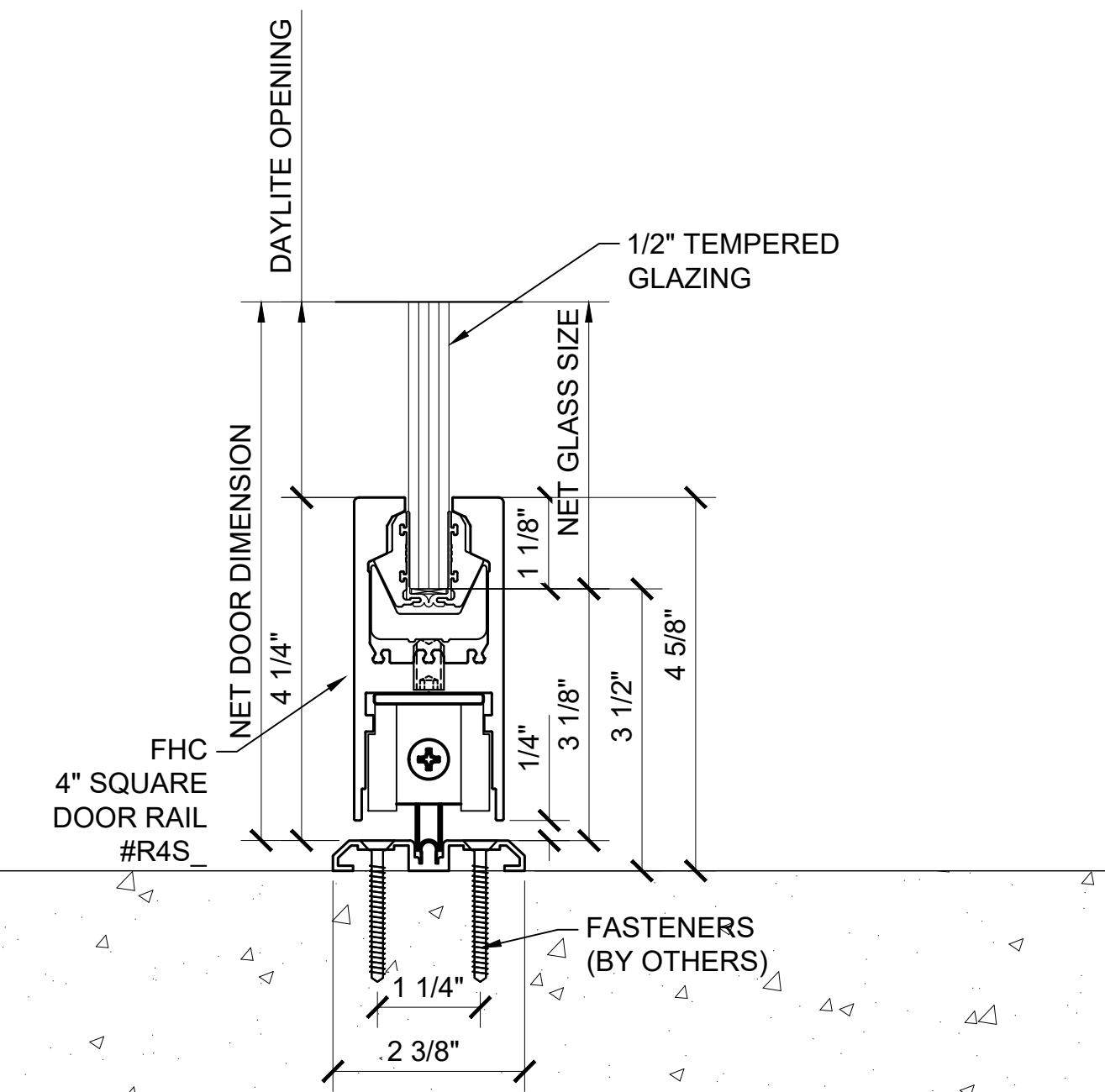
1B XX - ELEVATION
ARCH REF: NONE 1" = 1'-0"



1A XX DOUBLE DOOR - PLAN
ARCH REF: NONE 1" = 1'-0"



1C 4" RAIL R4S_ENLARGED VIEW
ARCH REF: NONE 6" = 1'-0"



1B 4" RAIL R4S_ENLARGED VIEW
ARCH REF: NONE 6" = 1'-0"



Architect: _____
Phone: _____
Fax: _____
Contact: _____

Job Name: _____
Phone: _____
Fax: _____
Contact: _____

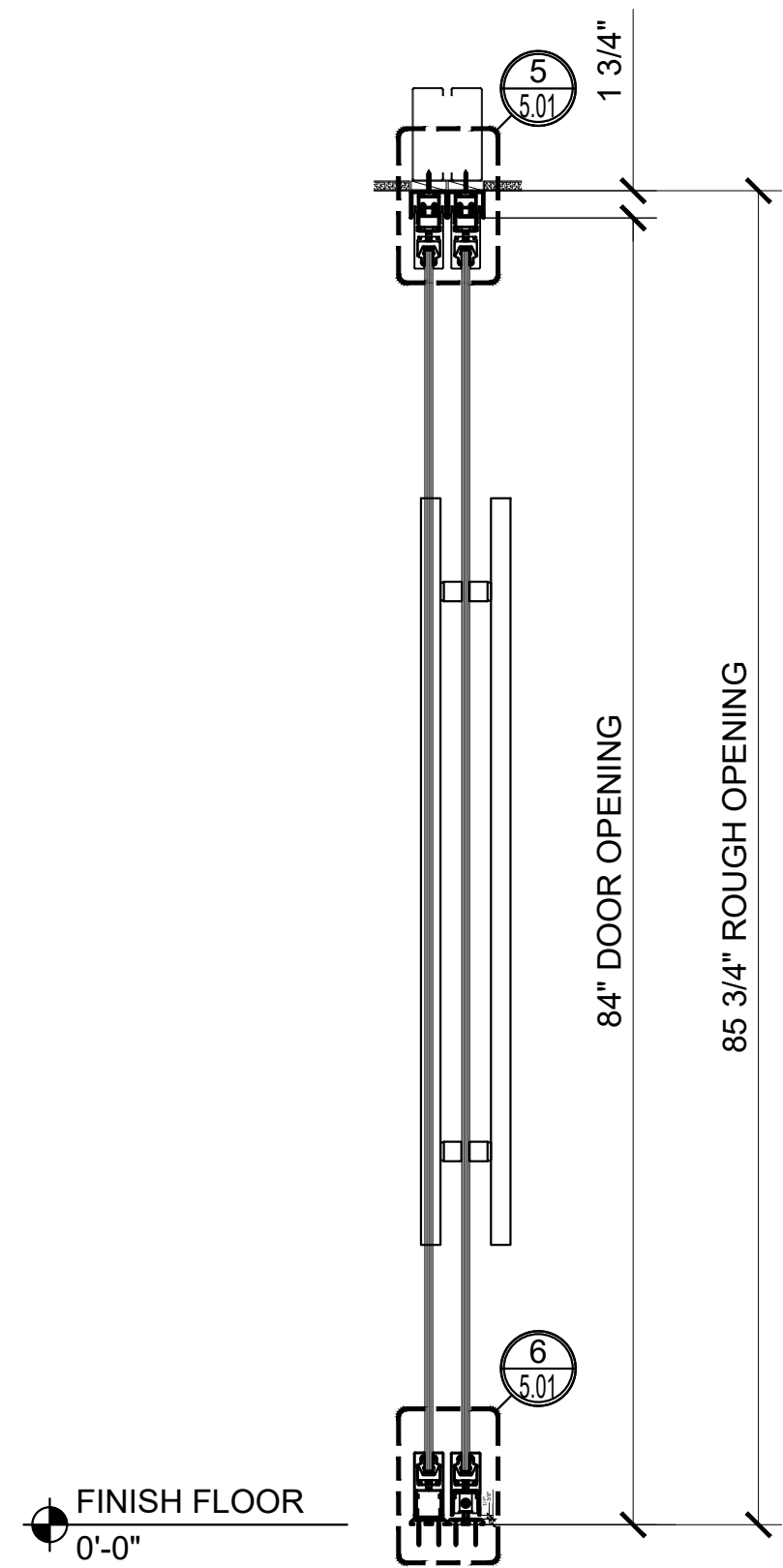
Customer: _____
Phone: _____
Fax: _____
Contact: _____

REV#	DATE	DRAWN BY
0	11/15/20	YSL
1	11/25/20	JPL
2		
3		
4		
5		
6		

Drawn By: YSL
Checked By: PM
Date: 00/00/19
Scale: AS NOTED
Project #: 000000

Sheet No.
2.05

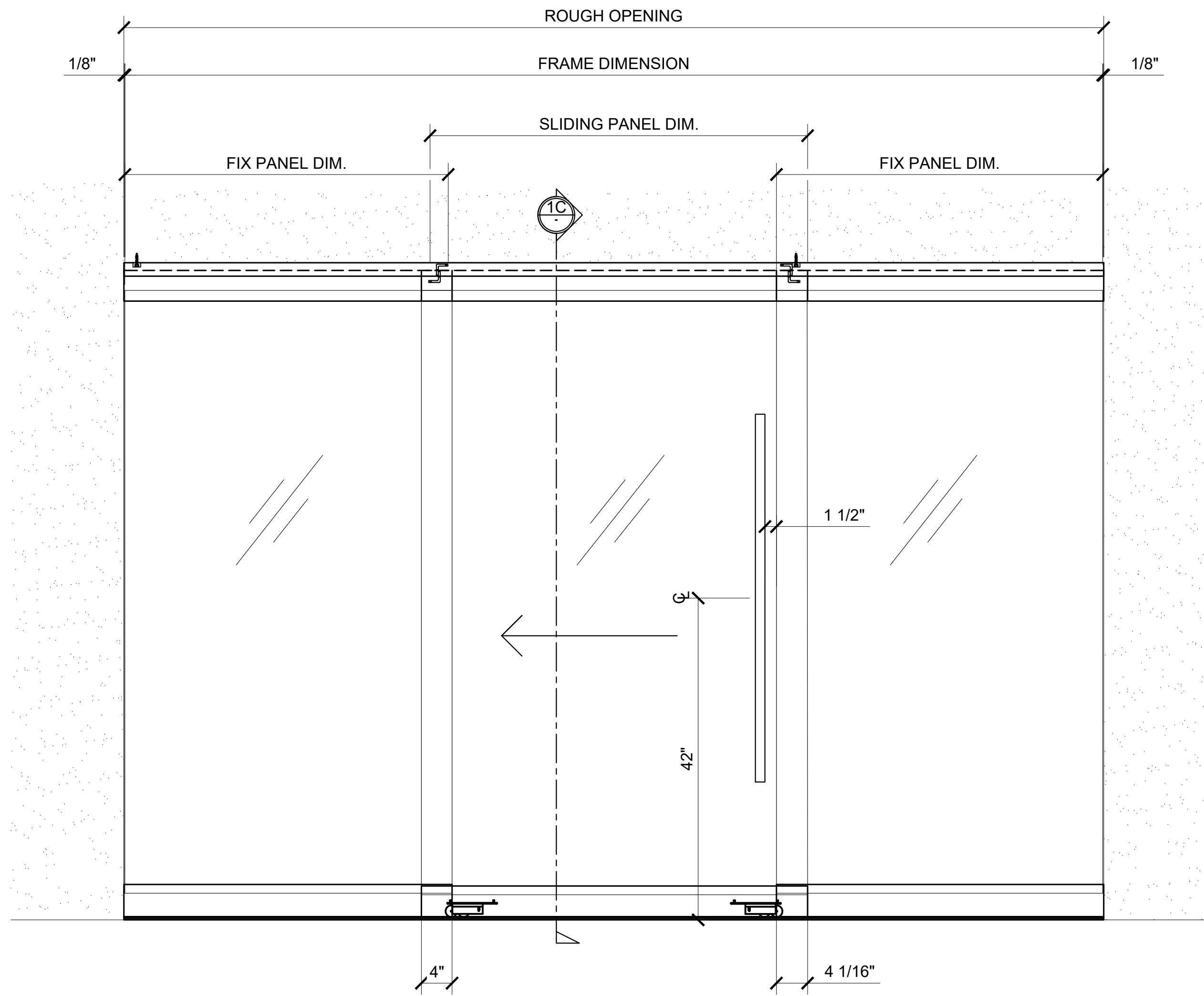
FHC PREMIUM SLIDING DOOR SYSTEMS ~ MODEL BRS100



1C XX - SECTION

ARCH REF: NONE

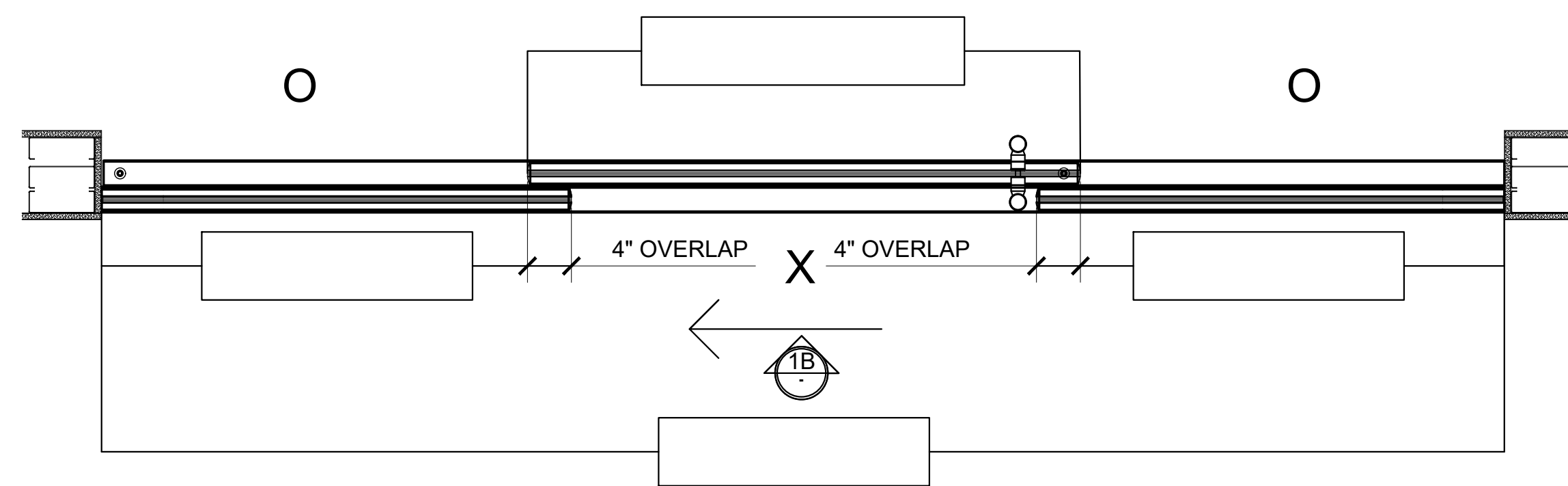
1" = 1'-0"



1B OXO - ELEVATION

ARCH REF: NONE

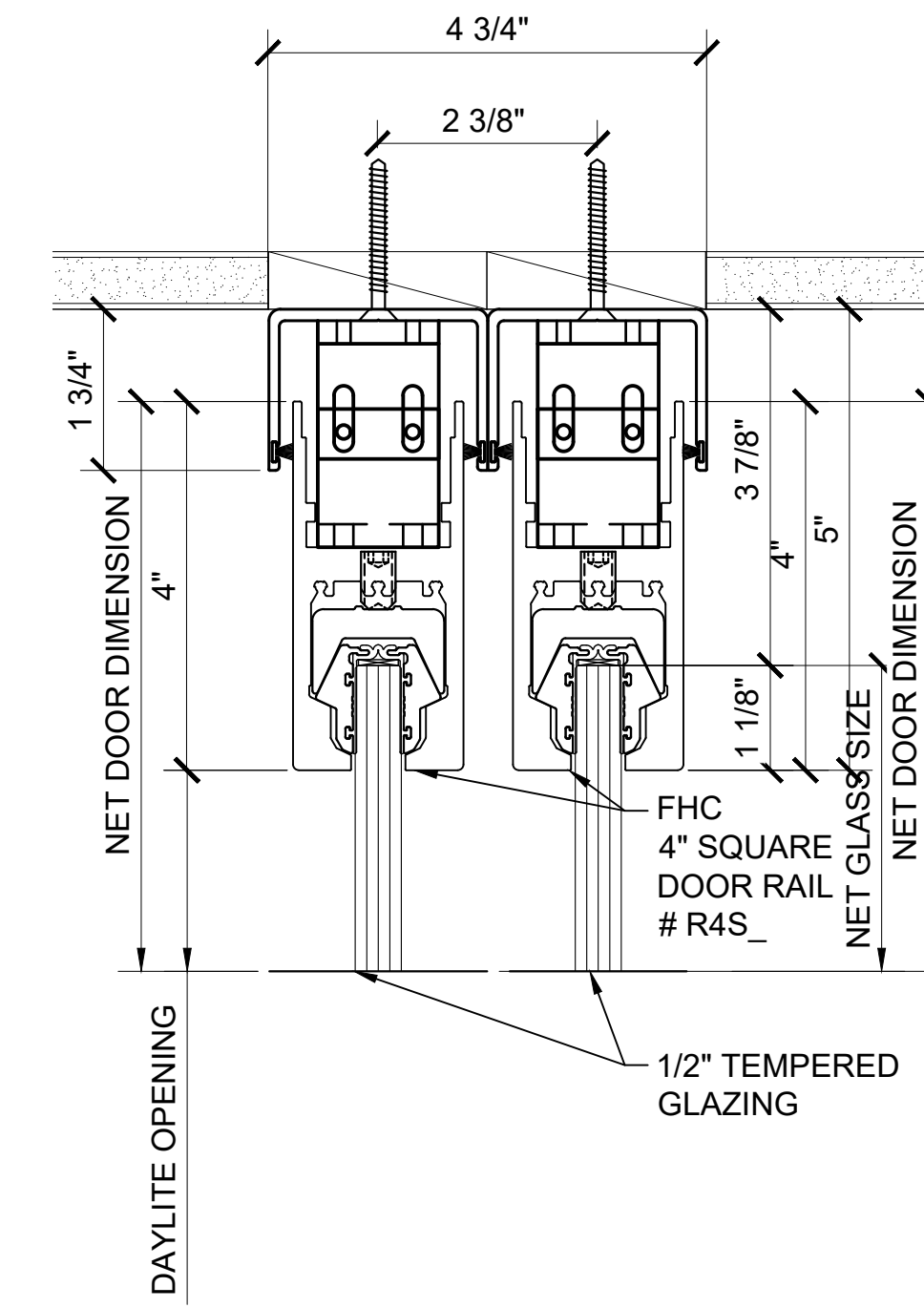
1" = 1'-0"



1A OXO SINGLE DOOR W/ 2 FIXED PANELS - PLAN

ARCH REF: NONE

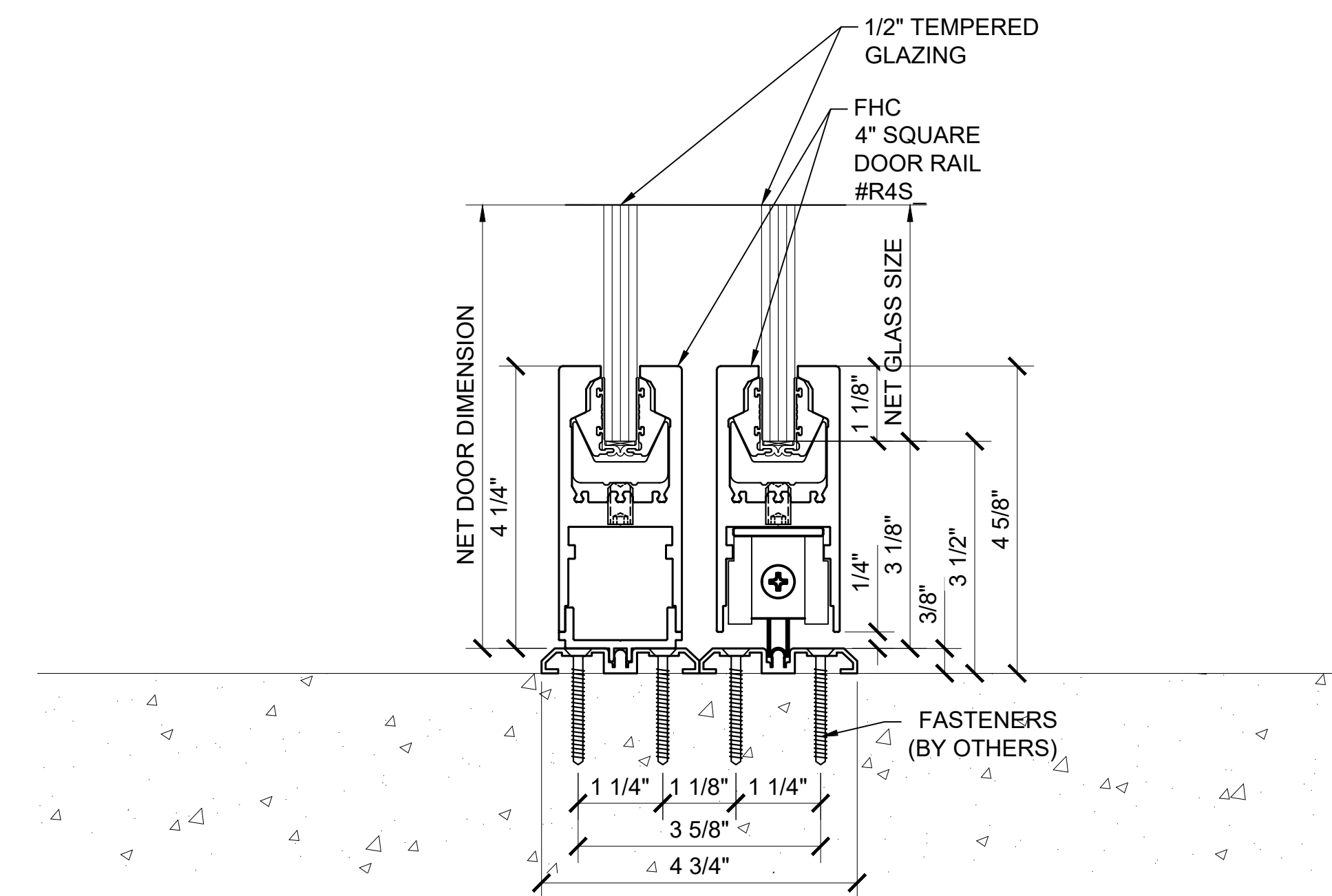
1" = 1'-0"



1C 4" RAIL R4S_ENLARGED VIEW

ARCH REF: NONE

6" = 1'-0"



1B 4" RAIL R4S_ENLARGED VIEW

ARCH REF: NONE

6" = 1'-0"



Architect:

Phone:
Fax:
Contact:

Job Name:

Phone:
Fax:
Contact:

Customer:

Phone:
Fax:
Contact:

DRAWN BY

DATE

REV#

Drawn By: YSL

Checked By: PM

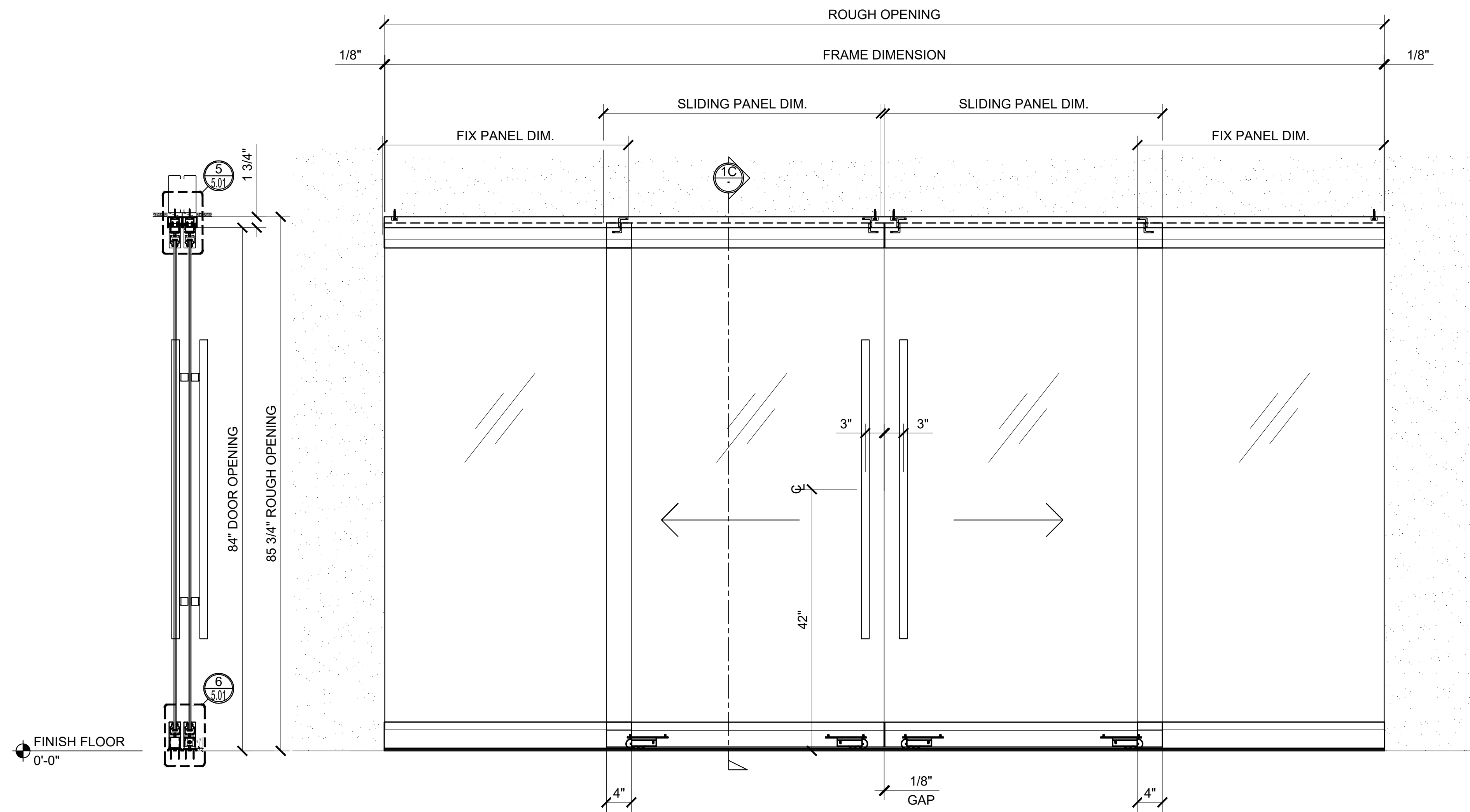
Date: 00/00/19

Scale: AS NOTED

Project #: 000000

Sheet No.

FHC PREMIUM SLIDING DOOR SYSTEMS ~ MODEL BRS100

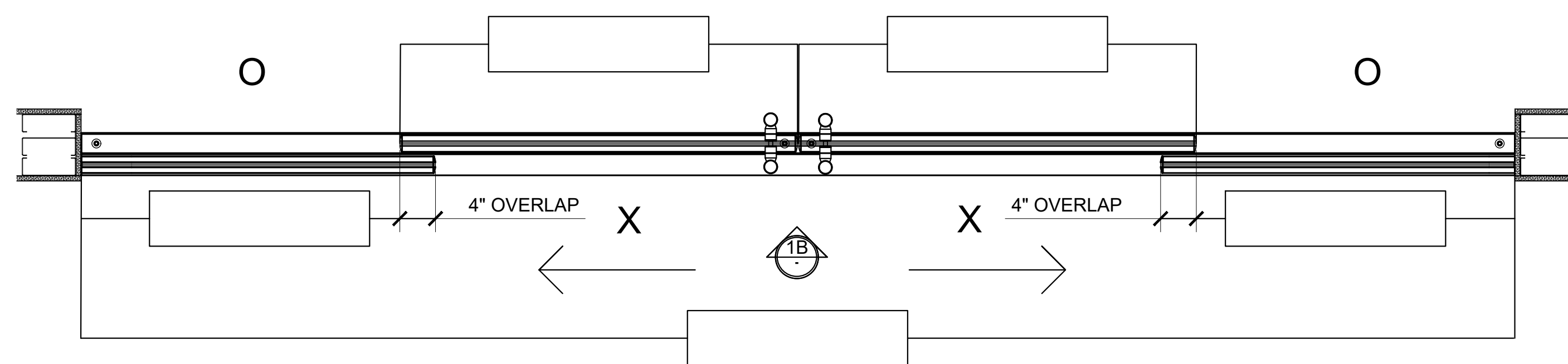


1C OXO - SECTION

ARCH REF: NONE 1" = 1'-0"

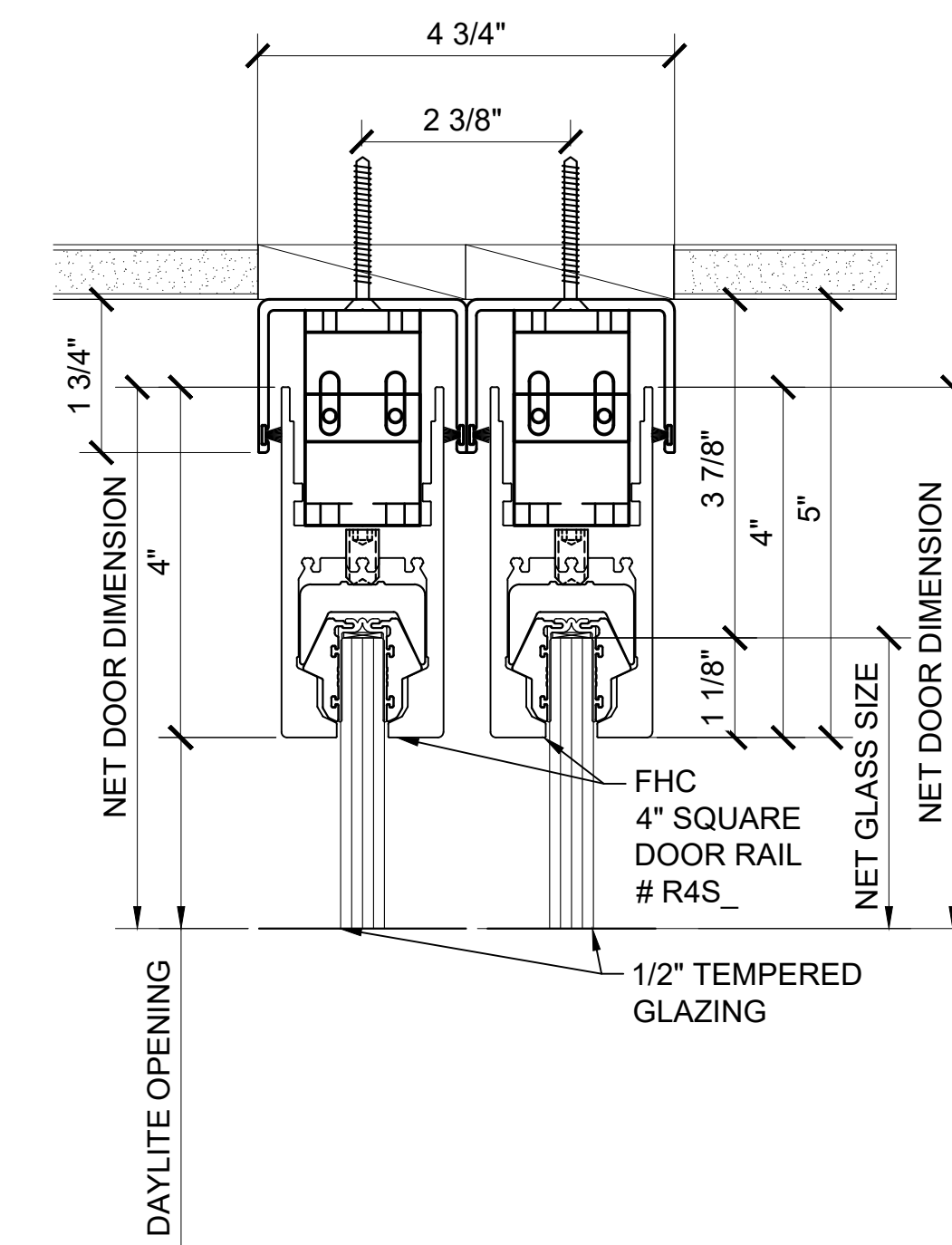
1B OXO - ELEVATION

ARCH REF: NONE 1" = 1'-0"



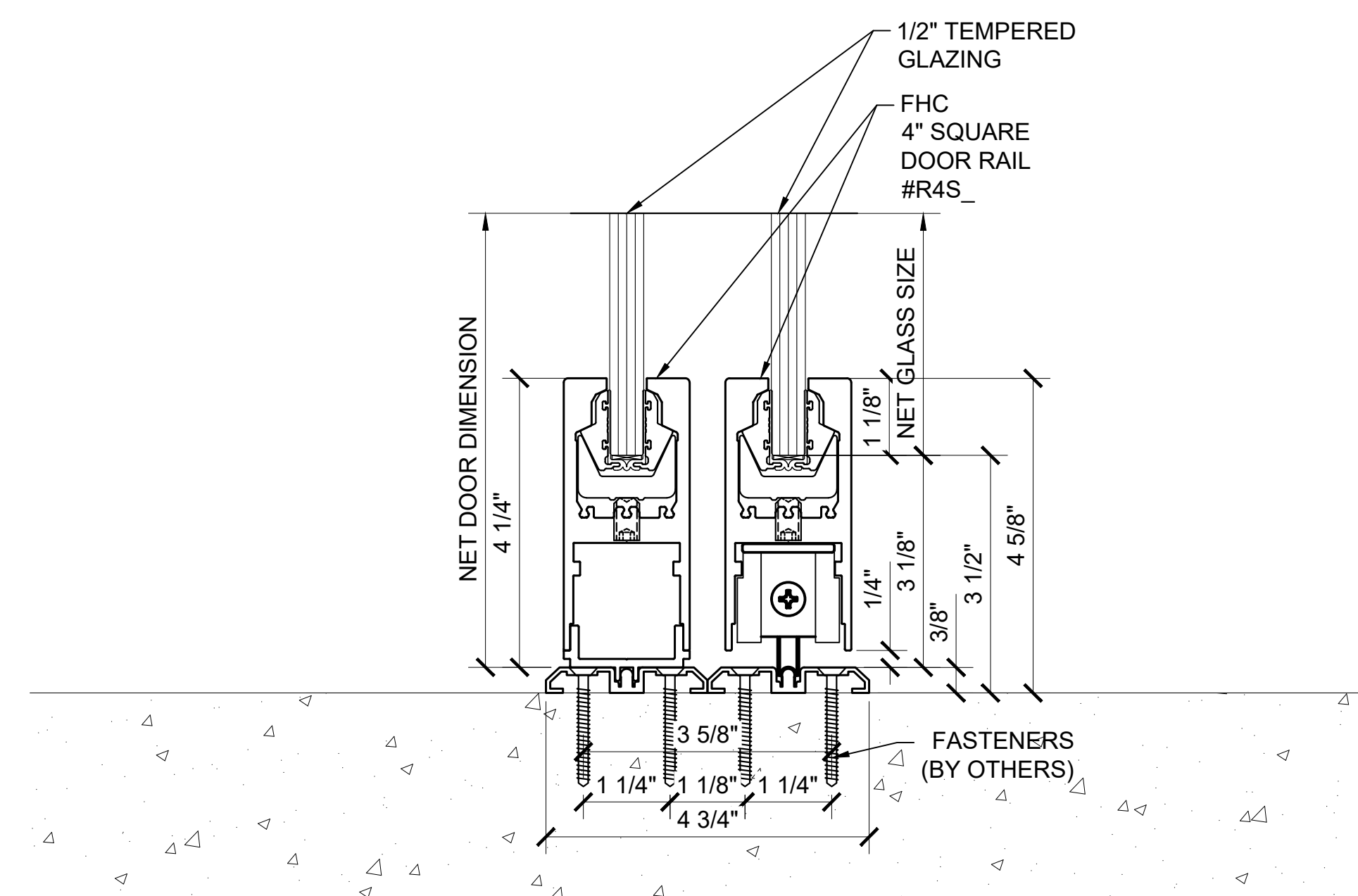
1A OXO DOUBLE DOOR W/ 2 FIXED PANELS - PLAN

ARCH REF: NONE 1" = 1'-0"



1C 4" RAIL R4S_ENLARGED VIEW

ARCH REF: NONE 6" = 1'-0"



1B 4" RAIL R4S_ENLARGED VIEW

ARCH REF: NONE 6" = 1'-0"



Architect: Phone: Fax: Contact:

Job Name: Phone: Fax: Contact:

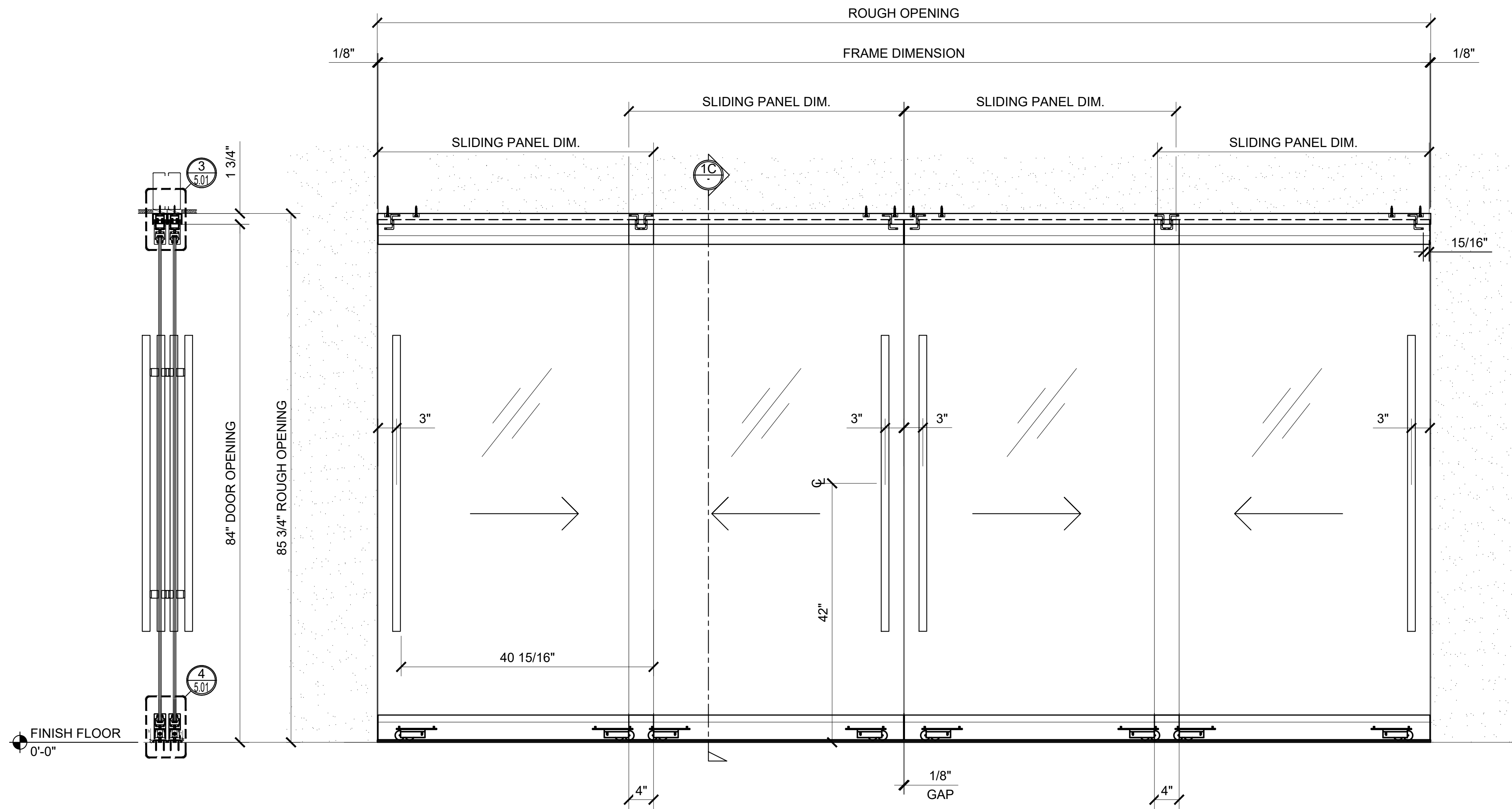
Customer: Phone: Fax: Contact:

REV#	DATE	DRAWN BY
0	11/15/20	YSL
1	11/25/20	JPL
2		
3		
4		
5		
6		

Drawn By: YSL
 Checked By: PM
 Date: 00/00/19
 Scale: AS NOTED
 Project #: 000000

Sheet No.

FHC PREMIUM SLIDING DOOR SYSTEMS ~ MODEL BRS100

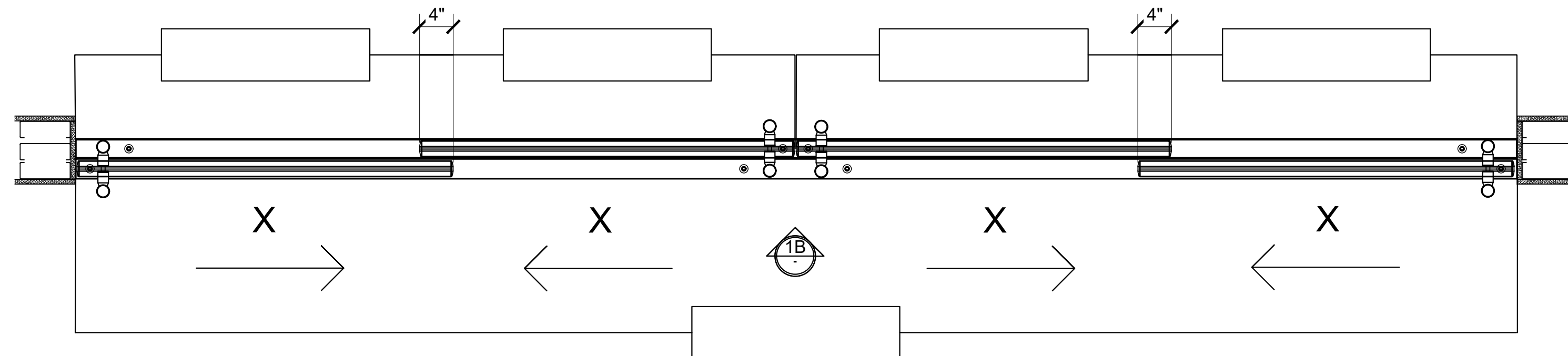


1C XXXX - SECTION

ARCH REF: NONE 1" = 1'-0"

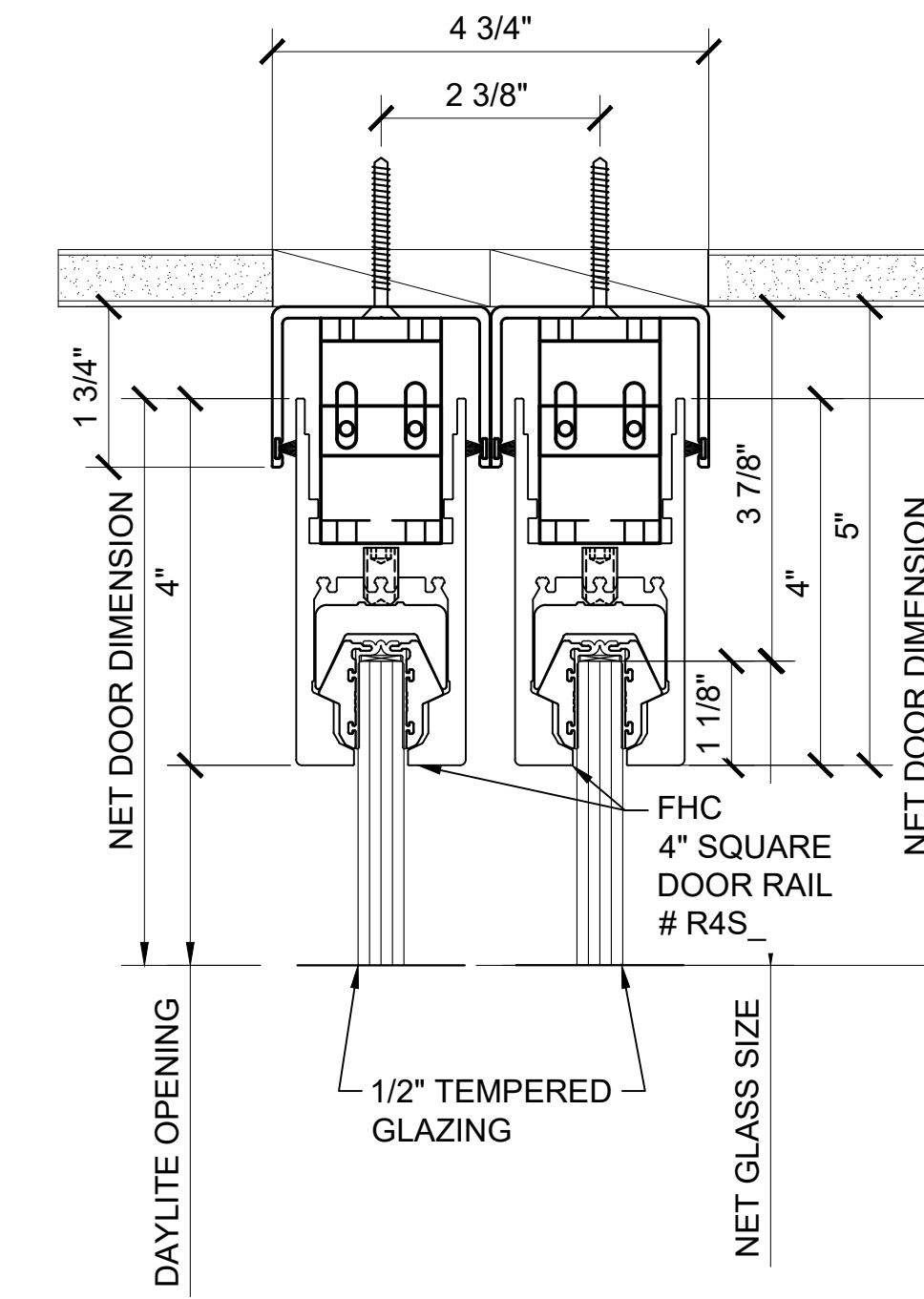
1B XXXX - ELEVATION

ARCH REF: NONE 1" = 1'-0"



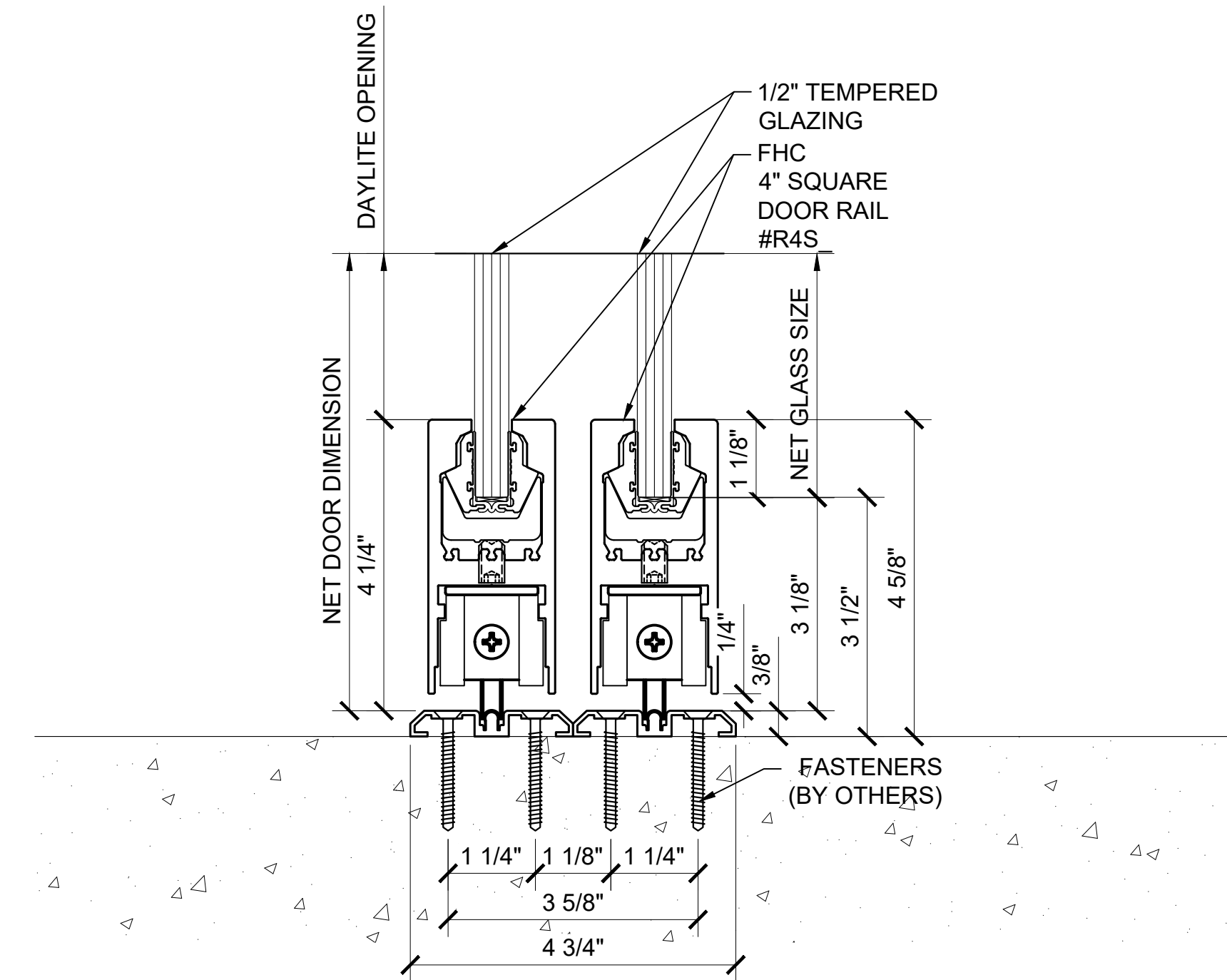
1A XXXX 2 DOUBLE DOOR - PLAN

ARCH REF: NONE 1" = 1'-0"



1C 4" RAIL R4S_ENLARGED VIEW

ARCH REF: NONE 6" = 1'-0"



1B 4" RAIL R4S_ENLARGED VIEW

ARCH REF: NONE 6" = 1'-0"



Architect: Phone: Fax: Contact:

Job Name: Phone: Fax: Contact:

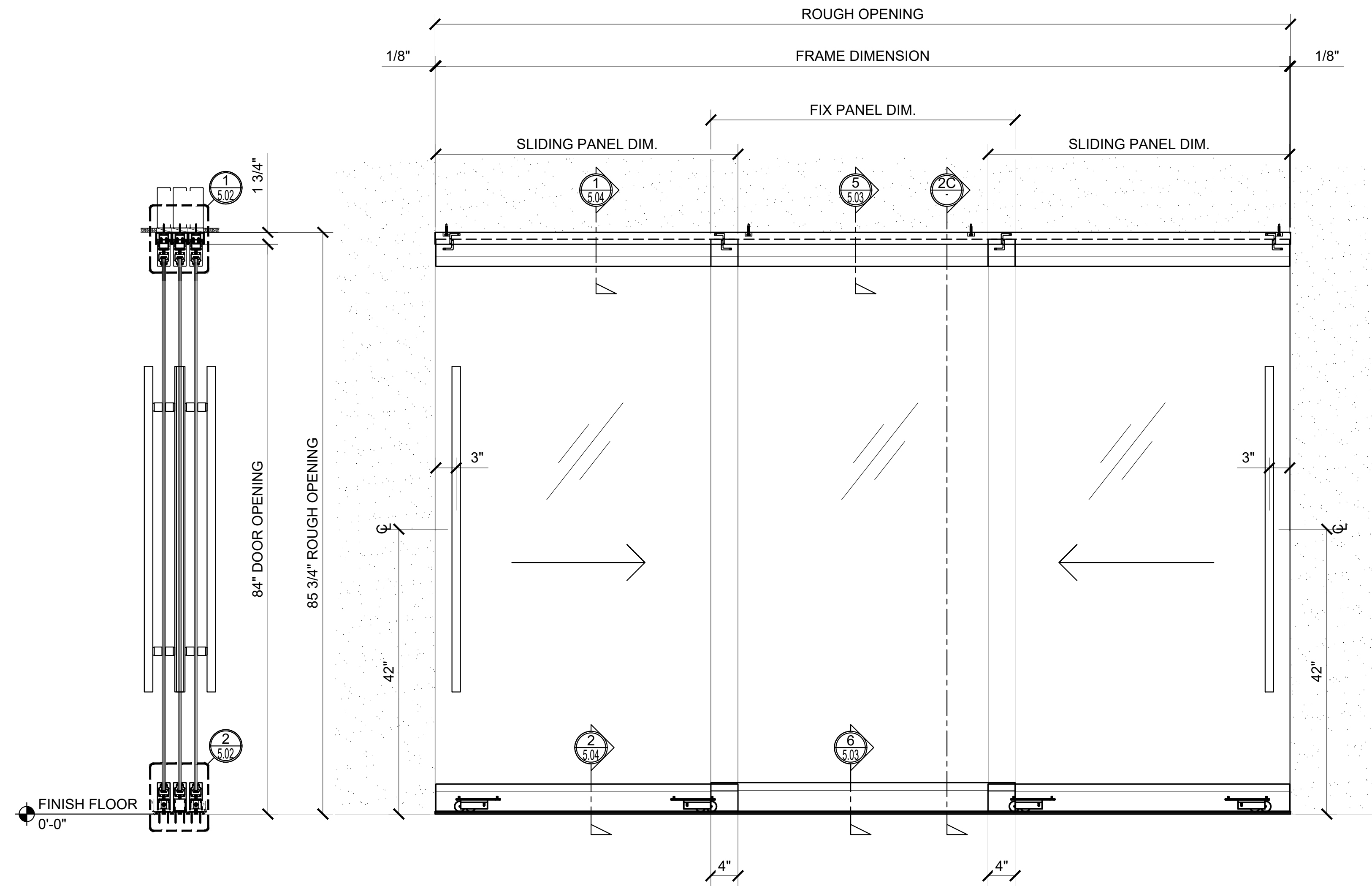
Customer: Phone: Fax: Contact:

REV#	DATE	DRAWN BY
0	11/15/20	YSL
1	11/25/20	JPL
2		
3		
4		
5		
6		

Drawn By: YSL
 Checked By: PM
 Date: 00/00/19
 Scale: AS NOTED
 Project #: 000000

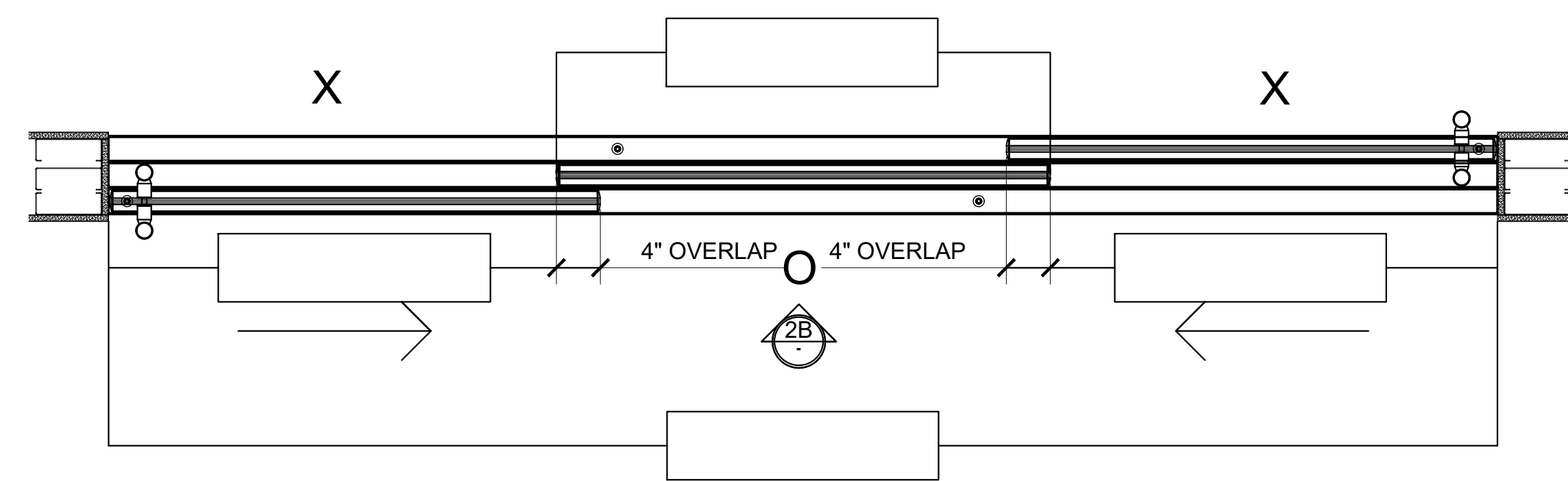
Sheet No.

FHC PREMIUM SLIDING DOOR SYSTEMS ~ MODEL BRS100

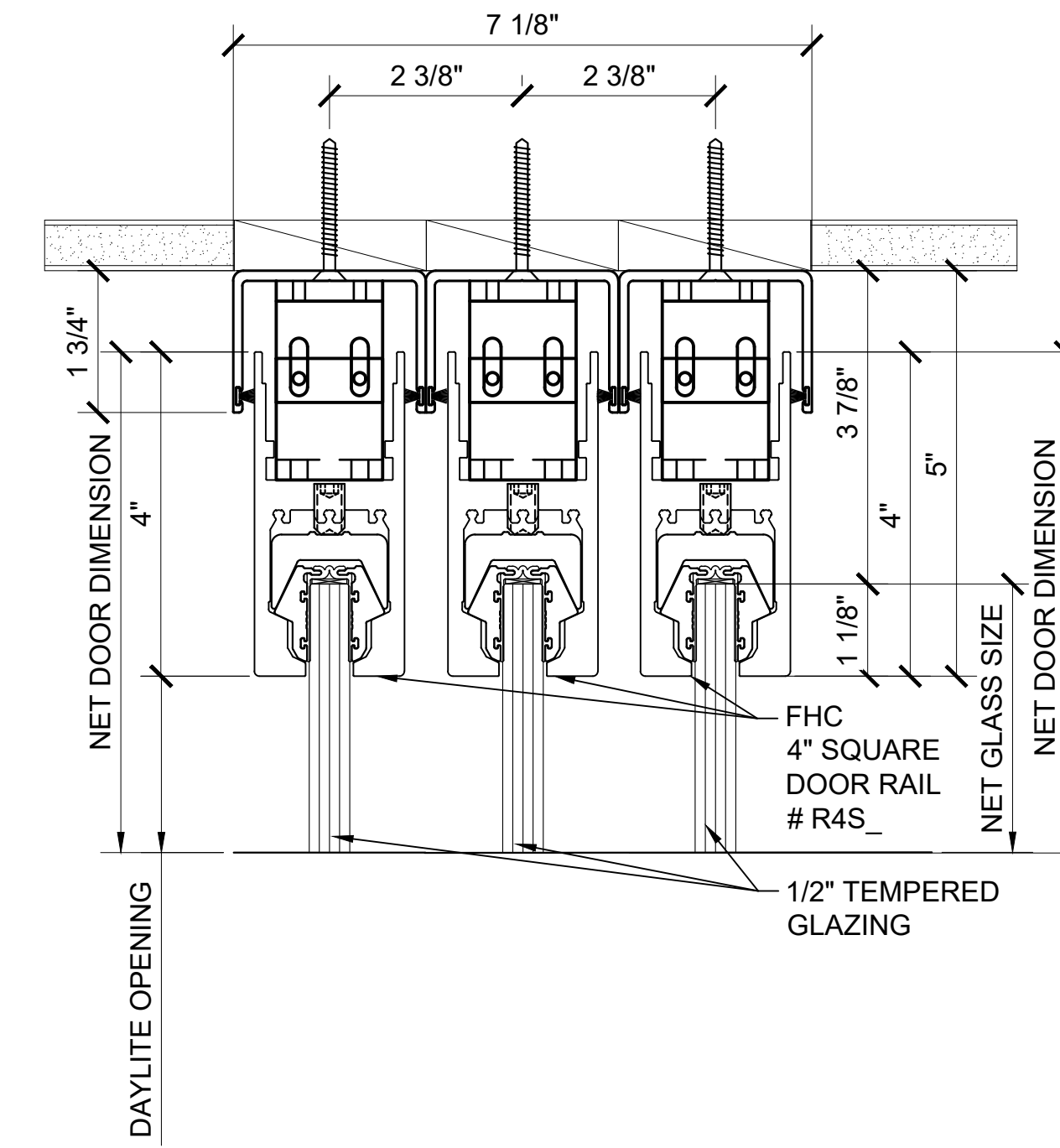


2C XOX - SECTION
ARCH REF: NONE 1" = 1'-0"

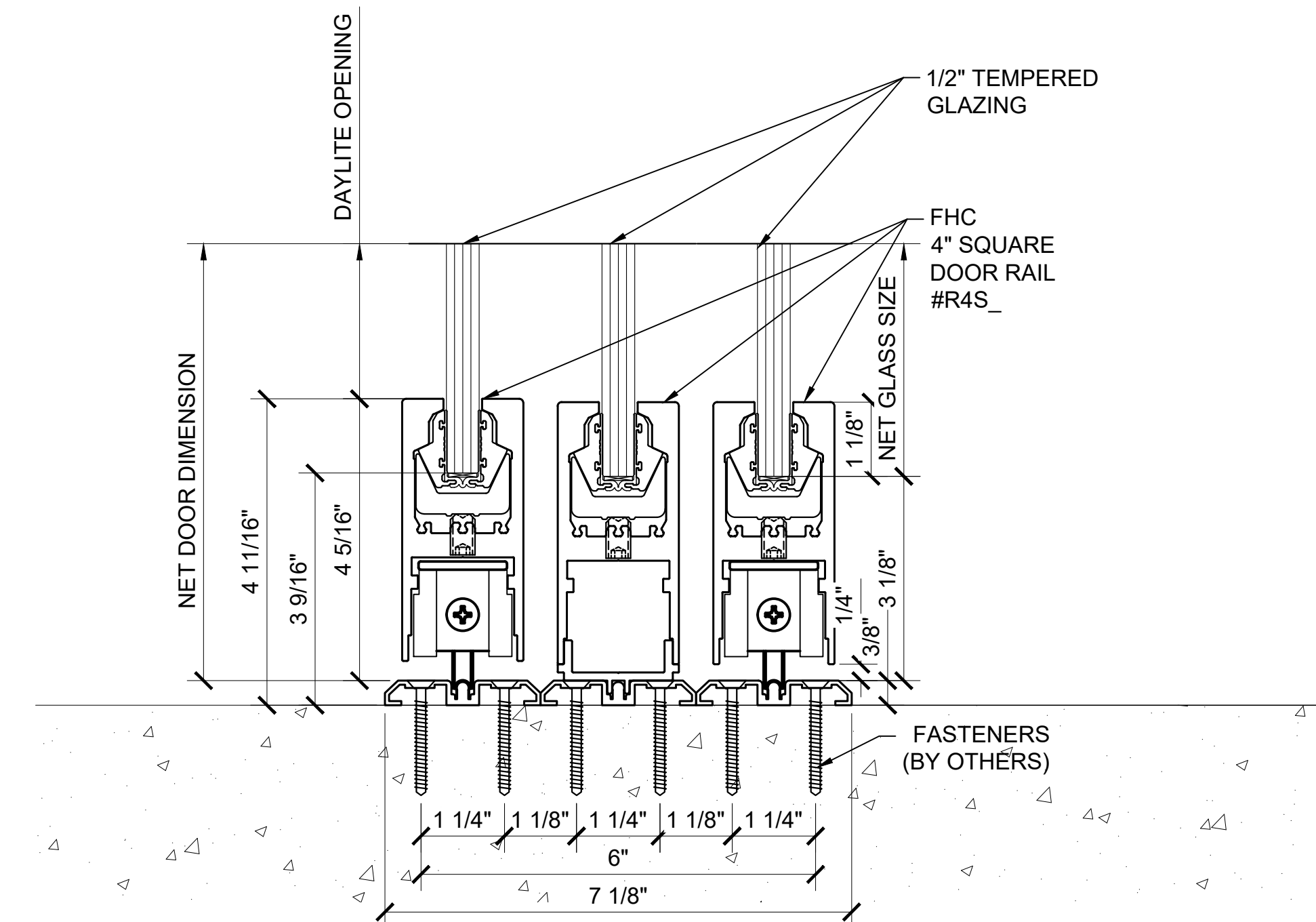
2B XOX - ELEVATION
ARCH REF: NONE 1" = 1'-0"



2A XOX DOUBLE DOOR W/ FIXED CENTER PANEL - PLAN
ARCH REF: NONE 1" = 1'-0"



1C 4" RAIL R4S_ENLARGED VIEW
ARCH REF: NONE 6" = 1'-0"



1B 4" RAIL R4S_ENLARGED VIEW
ARCH REF: NONE 6" = 1'-0"



Architect: _____
Phone: _____
Fax: _____
Contact: _____

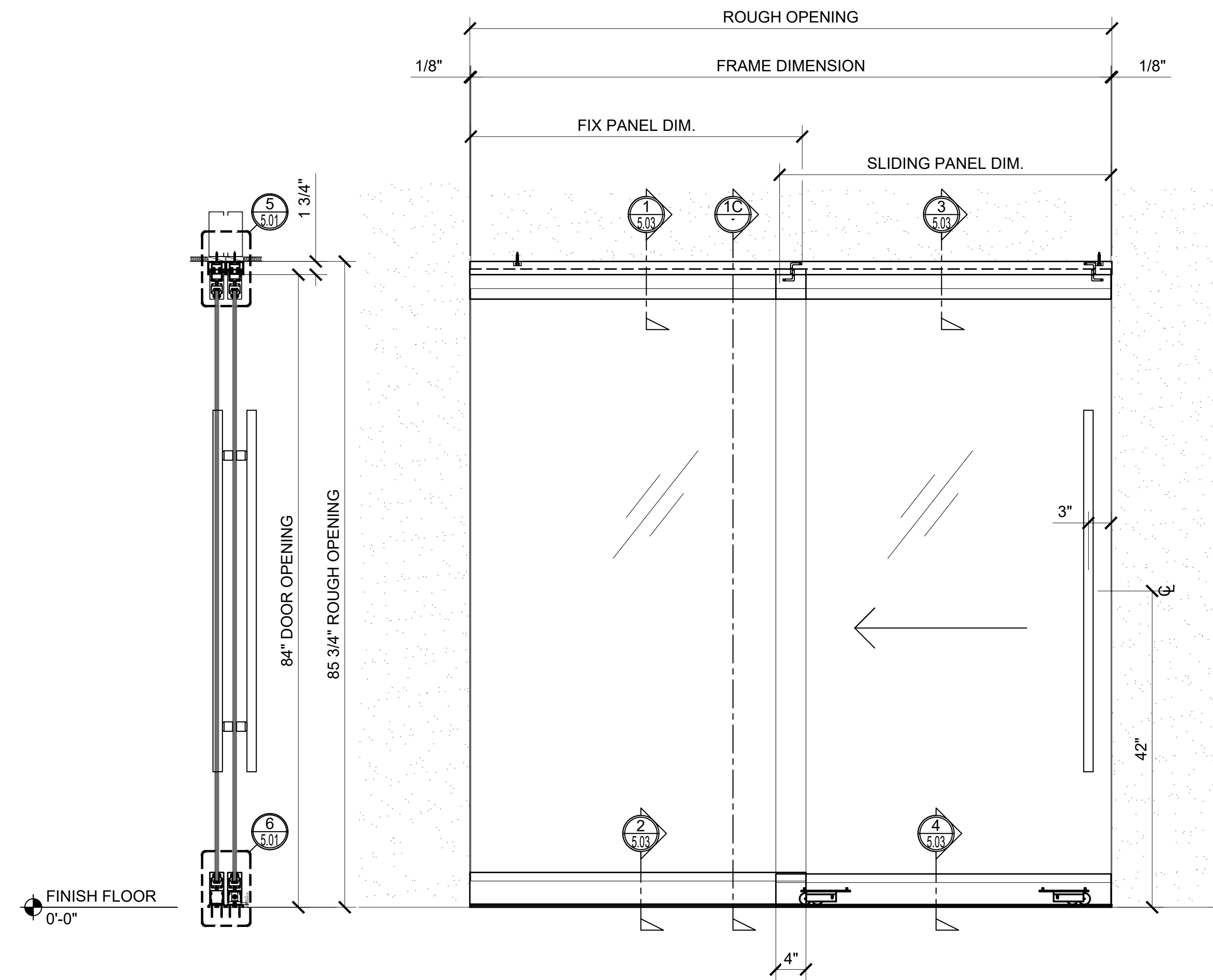
Job Name: _____
Phone: _____
Fax: _____
Contact: _____

Customer: _____
Phone: _____
Fax: _____
Contact: _____

REV#	DATE	DRAWN BY
0	11/15/20	YSL
1	11/25/20	JPL
2		
3		
4		
5		
6		

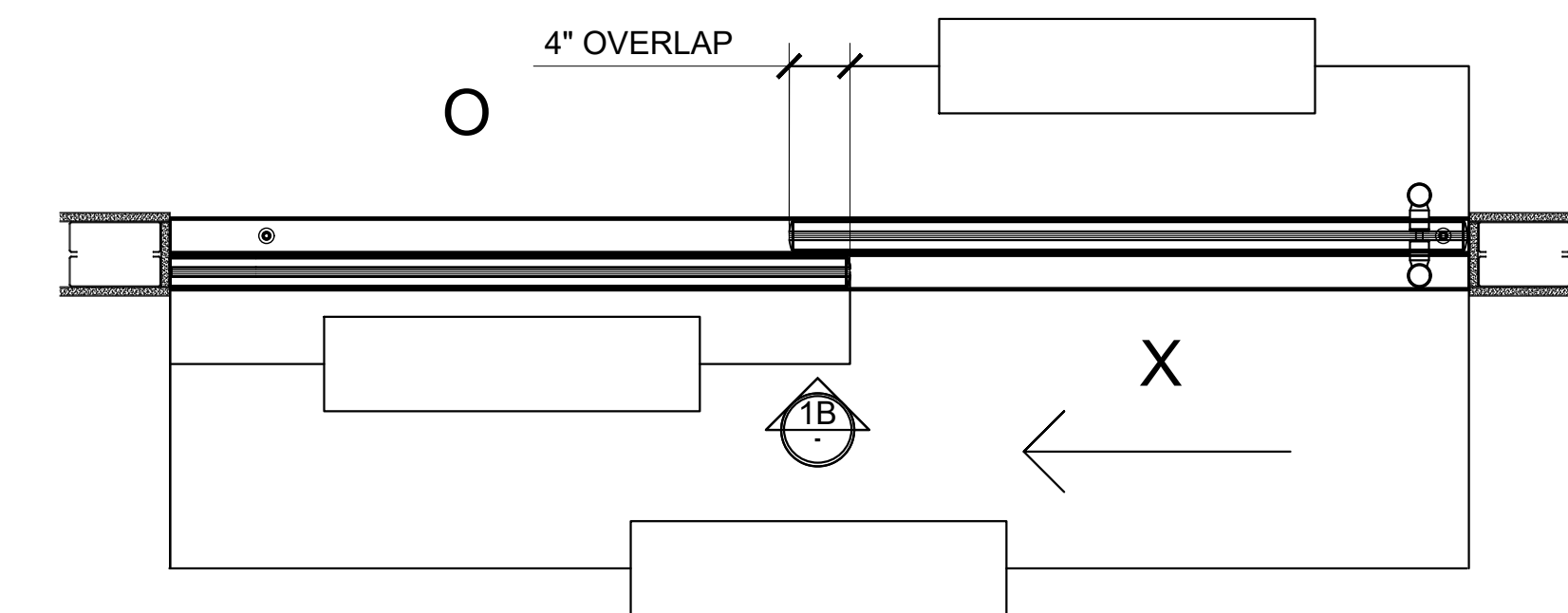
Drawn By: YSL
Checked By: PM
Date: 00/00/19
Scale: AS NOTED
Project #: 000000

FHC PREMIUM SLIDING DOOR SYSTEMS ~ MODEL BRS100

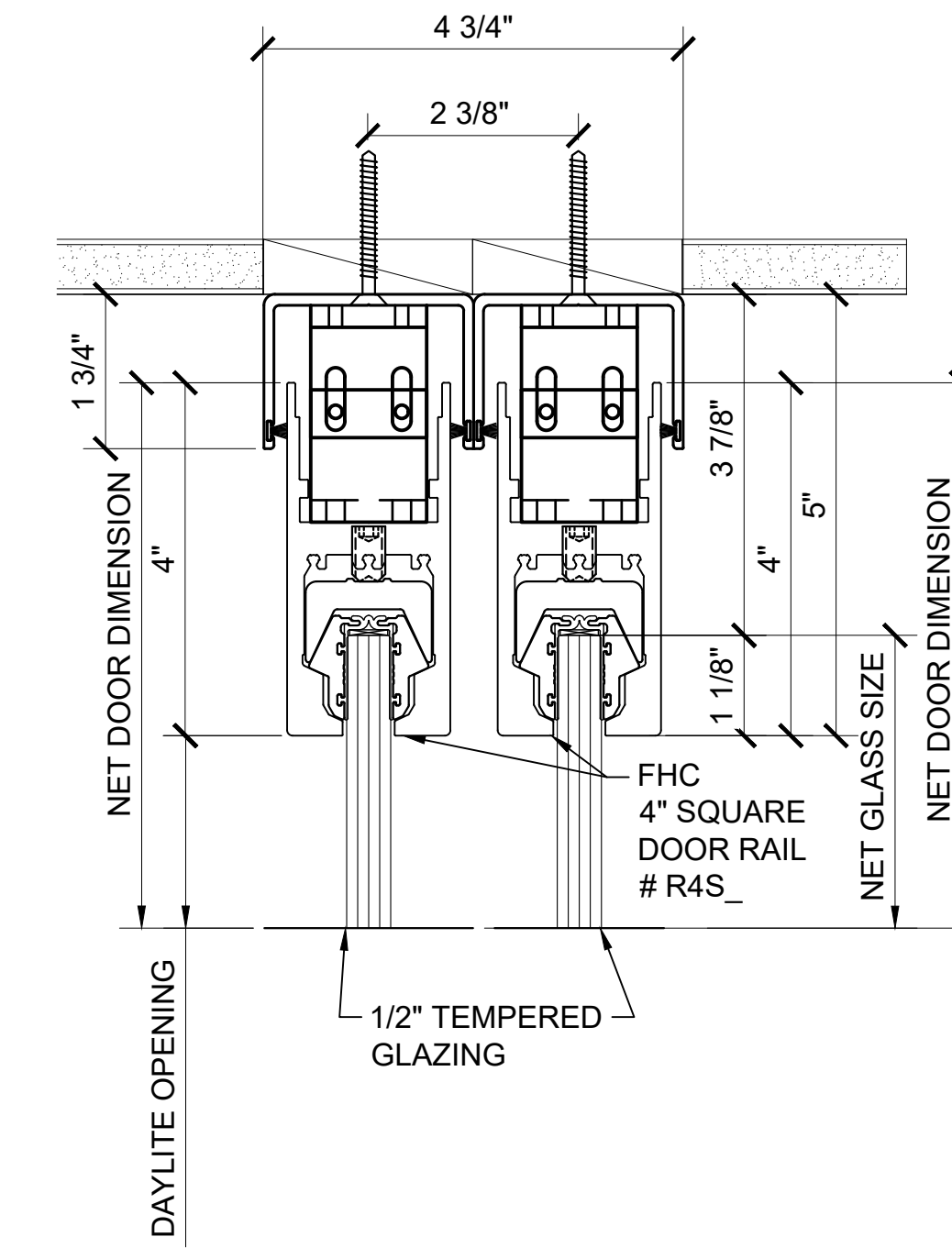


1C OX - SECTION
ARCH REF: NONE 1" = 1'-0"

1B OX - ELEVATION
ARCH REF: NONE 1" = 1'-0"

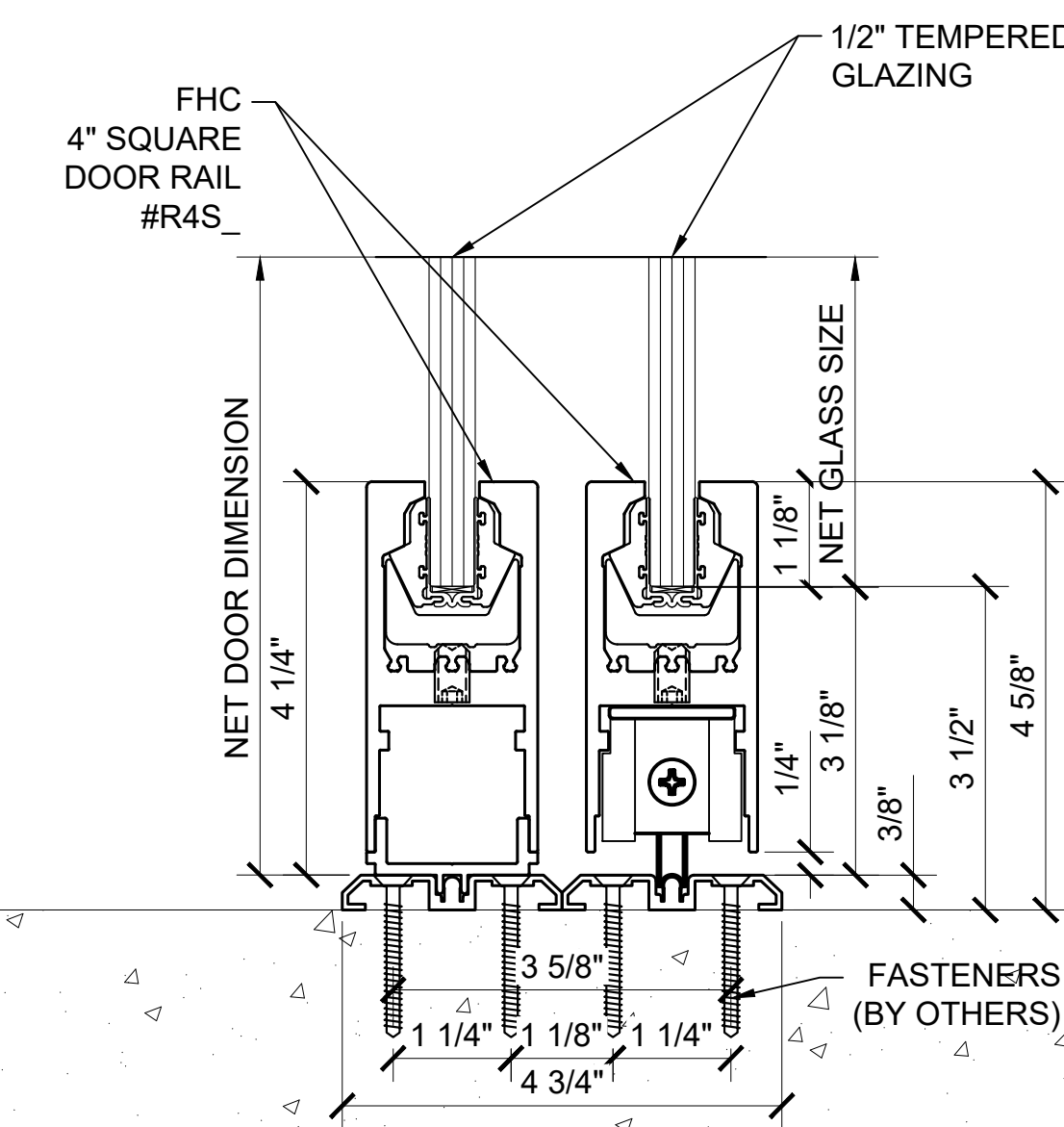


1A OX SINGLE DOOR W/ FIXED PANEL - PLAN
ARCH REF: NONE 1" = 1'-0"



1C 4" RAIL R4S_ENLARGED VIEW

ARCH REF: NONE 6" = 1'-0"



1B 4" RAIL R4S_ENLARGED VIEW

ARCH REF: NONE 6" = 1'-0"



Architect: _____
Phone: _____
Fax: _____
Contact: _____

Job Name: _____
Phone: _____
Fax: _____
Contact: _____

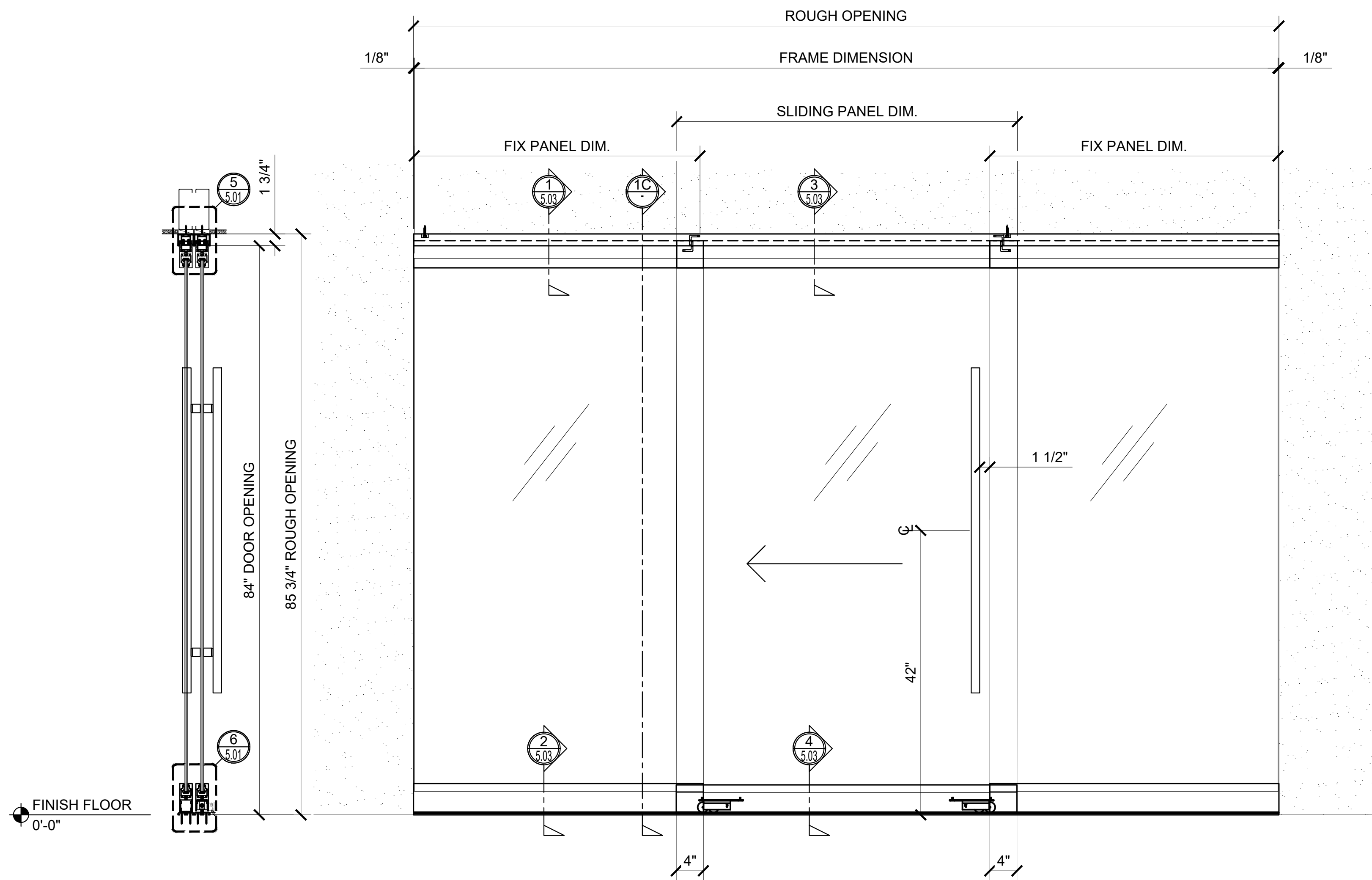
Customer: _____
Phone: _____
Fax: _____
Contact: _____

REV#	DATE	DRAWN BY
1	11/15/20	YSL
2	11/25/20	JPL
3		
4		
5		
6		

Drawn By: YSL
Checked By: PM
Date: 00/00/19
Scale: AS NOTED
Project #: 000000

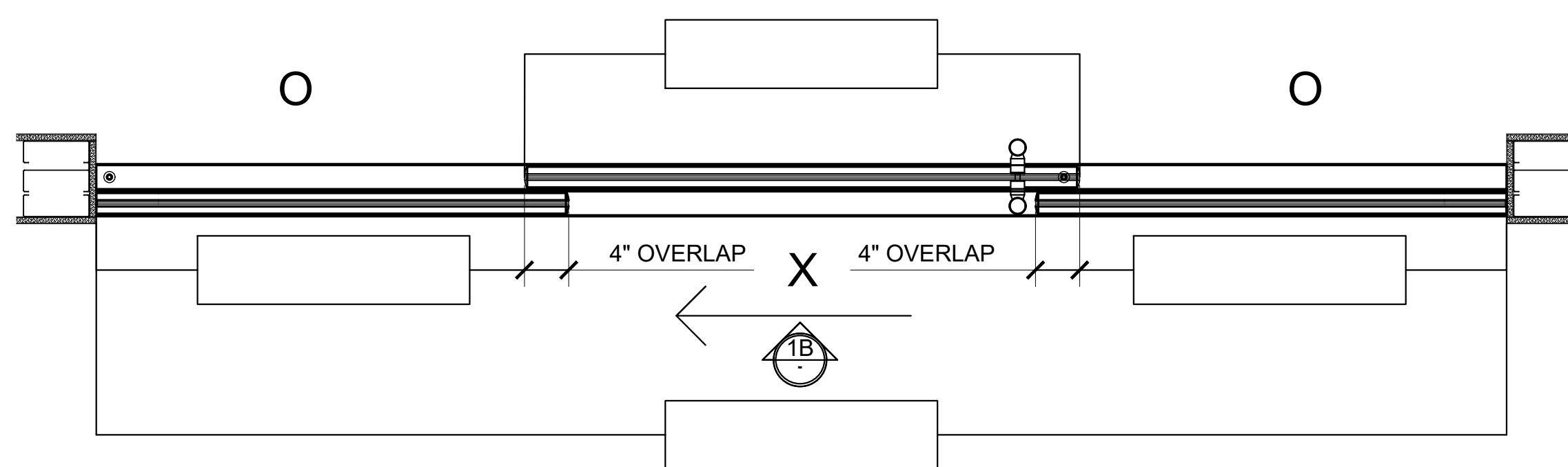
Sheet No.

FHC PREMIUM SLIDING DOOR SYSTEMS ~ MODEL BRS100

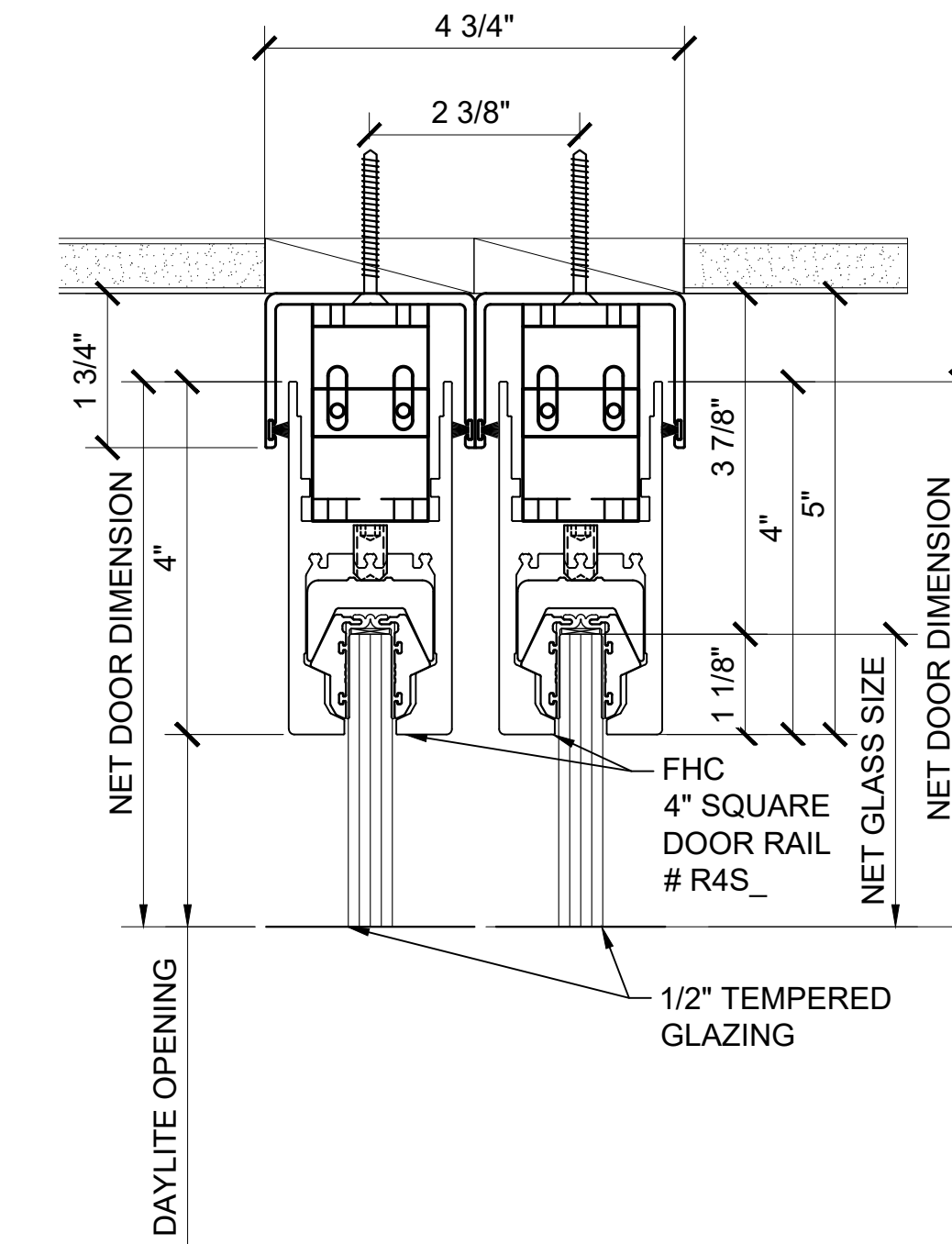


1C OXO - SECTION
ARCH REF: NONE 1" = 1'-0"

1B OXO - PLAN
ARCH REF: NONE 1" = 1'-0"

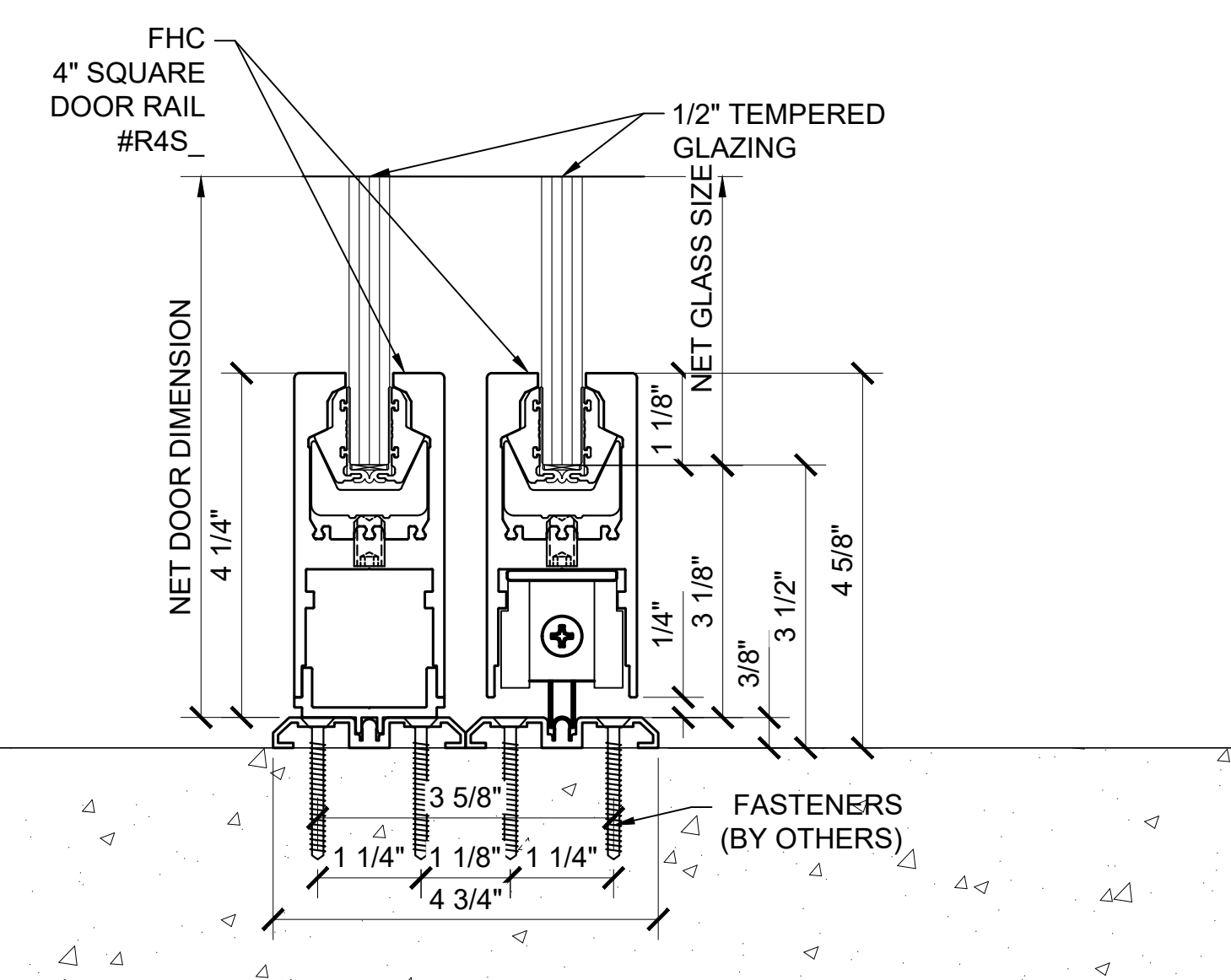


1A OXO SINGLE DOOR W/ 2 FIXED PANELS - PLAN
ARCH REF: NONE 1" = 1'-0"



1C 4" RAIL R4S_ENLARGED VIEW

ARCH REF: NONE 6" = 1'-0"



1B 4" RAIL R4S_ENLARGED VIEW

ARCH REF: NONE 6" = 1'-0"



Architect: _____
Phone: _____
Fax: _____
Contact: _____

Job Name: _____
Phone: _____
Fax: _____
Contact: _____

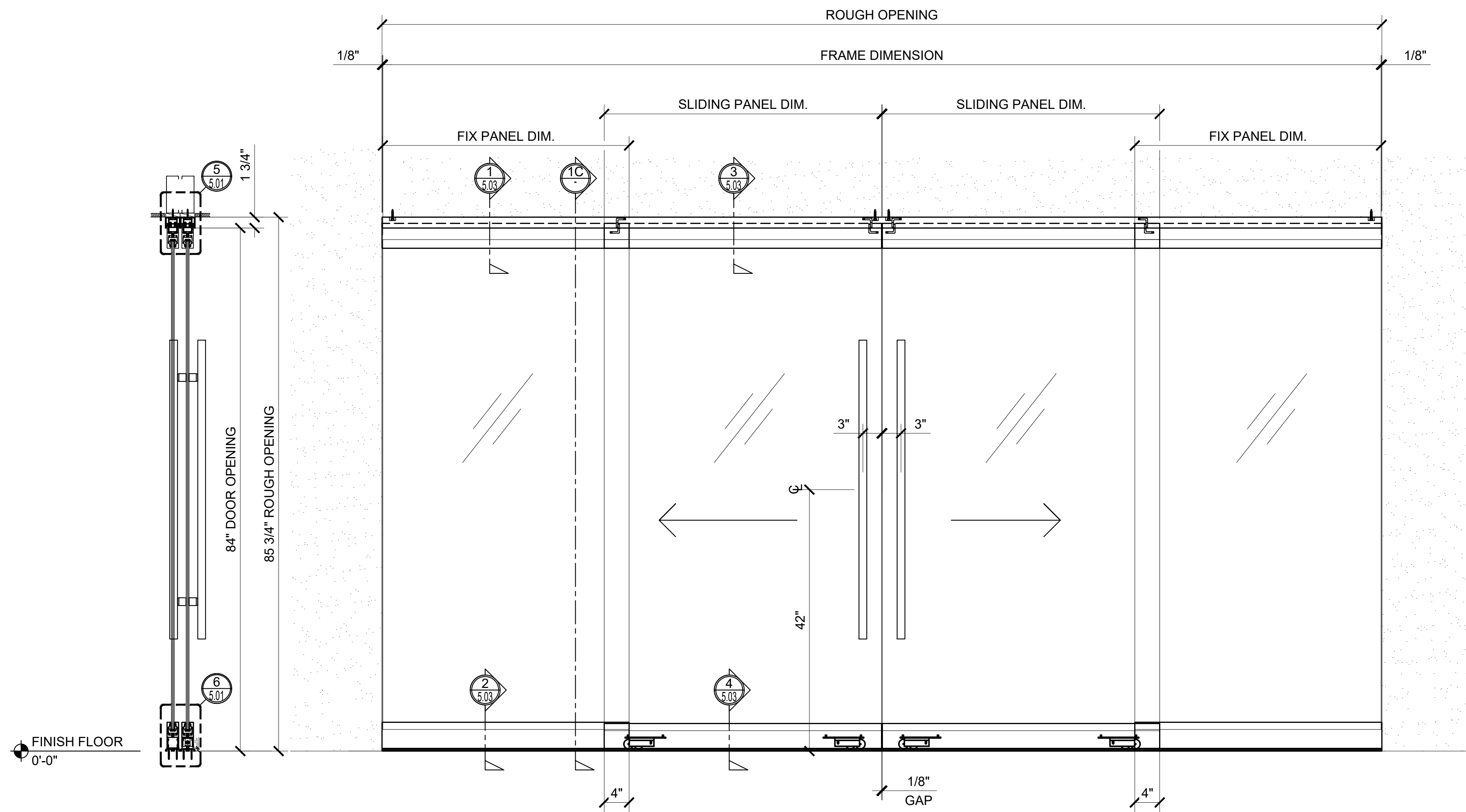
Customer: _____
Phone: _____
Fax: _____
Contact: _____

REV#	DATE	DRAWN BY
1	11/15/20	YSL
2	11/25/20	JPL
3		
4		
5		
6		

Drawn By: YSL
Checked By: PM
Date: 00/00/19
Scale: AS NOTED
Project #: 000000

Sheet No.

FHC PREMIUM SLIDING DOOR SYSTEMS ~ MODEL BRS100

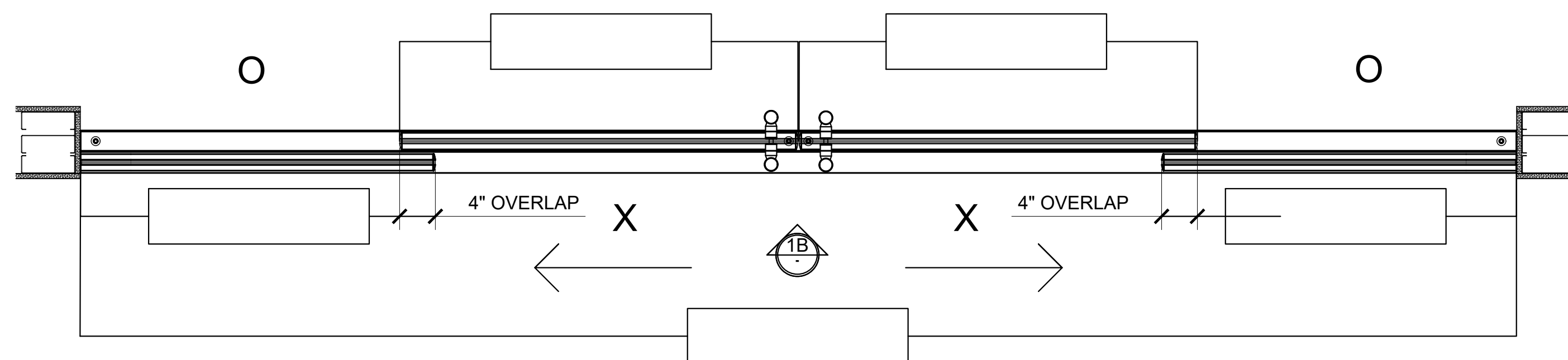


1C OXO - SECTION

ARCH REF: NONE 1" = 1'-0"

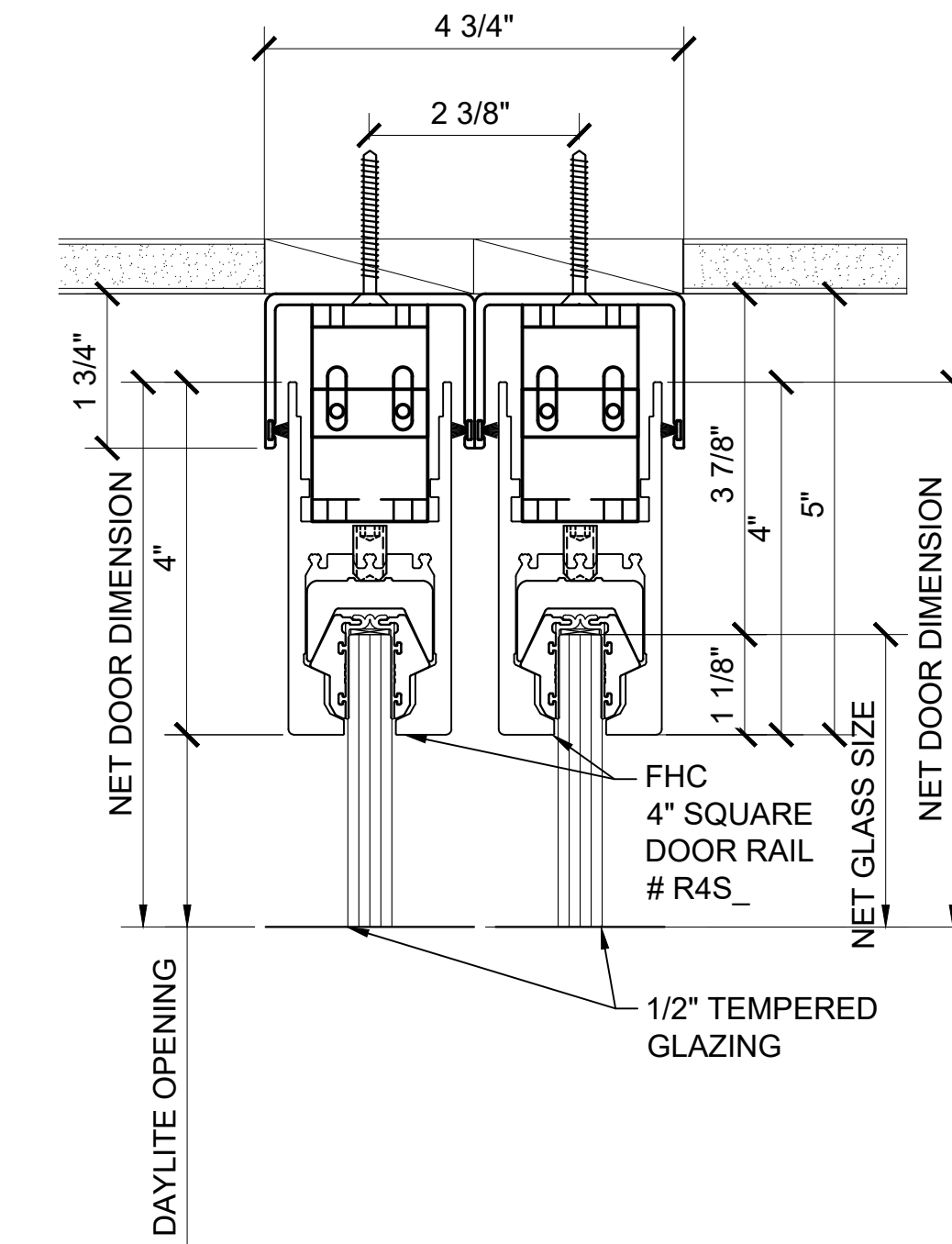
1B OXO - ELEVATION

ARCH REF: NONE 1" = 1'-0"



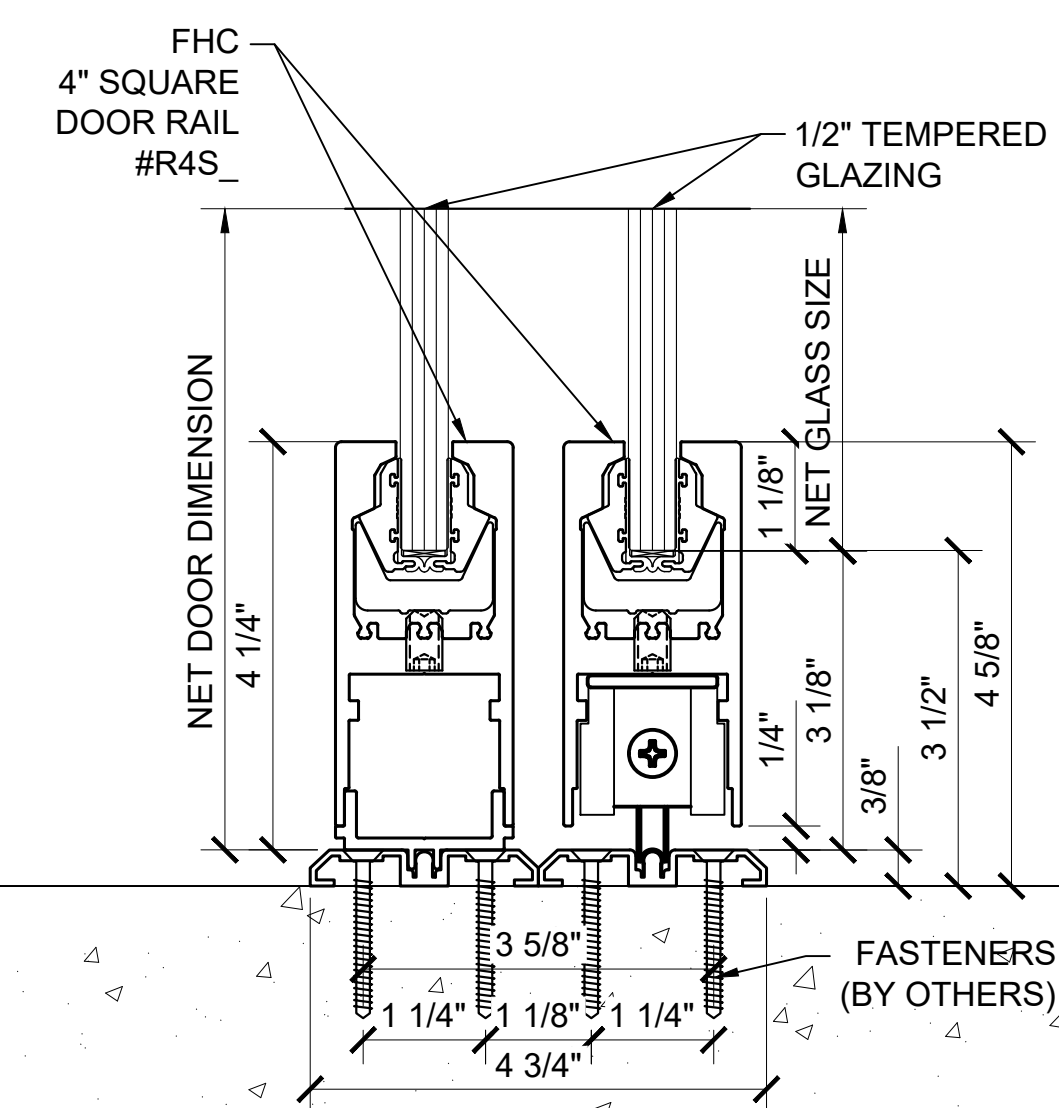
1A OXO DOUBLE DOOR W/ 2 FIXED PANELS - PLAN

ARCH REF: NONE 1" = 1'-0"



1C 4" RAIL R4S_ENLARGED VIEW

ARCH REF: NONE 6" = 1'-0"



1B 4" RAIL R4S_ENLARGED VIEW

ARCH REF: NONE 6" = 1'-0"



Architect: _____
Phone: _____
Fax: _____
Contact: _____

Job Name: _____
Phone: _____
Fax: _____
Contact: _____

Customer: _____
Phone: _____
Fax: _____
Contact: _____

REV#	DATE	DRAWN BY
1	11/15/20	YSL
2	11/25/20	JPL
3		
4		
5		
6		

Drawn By: YSL

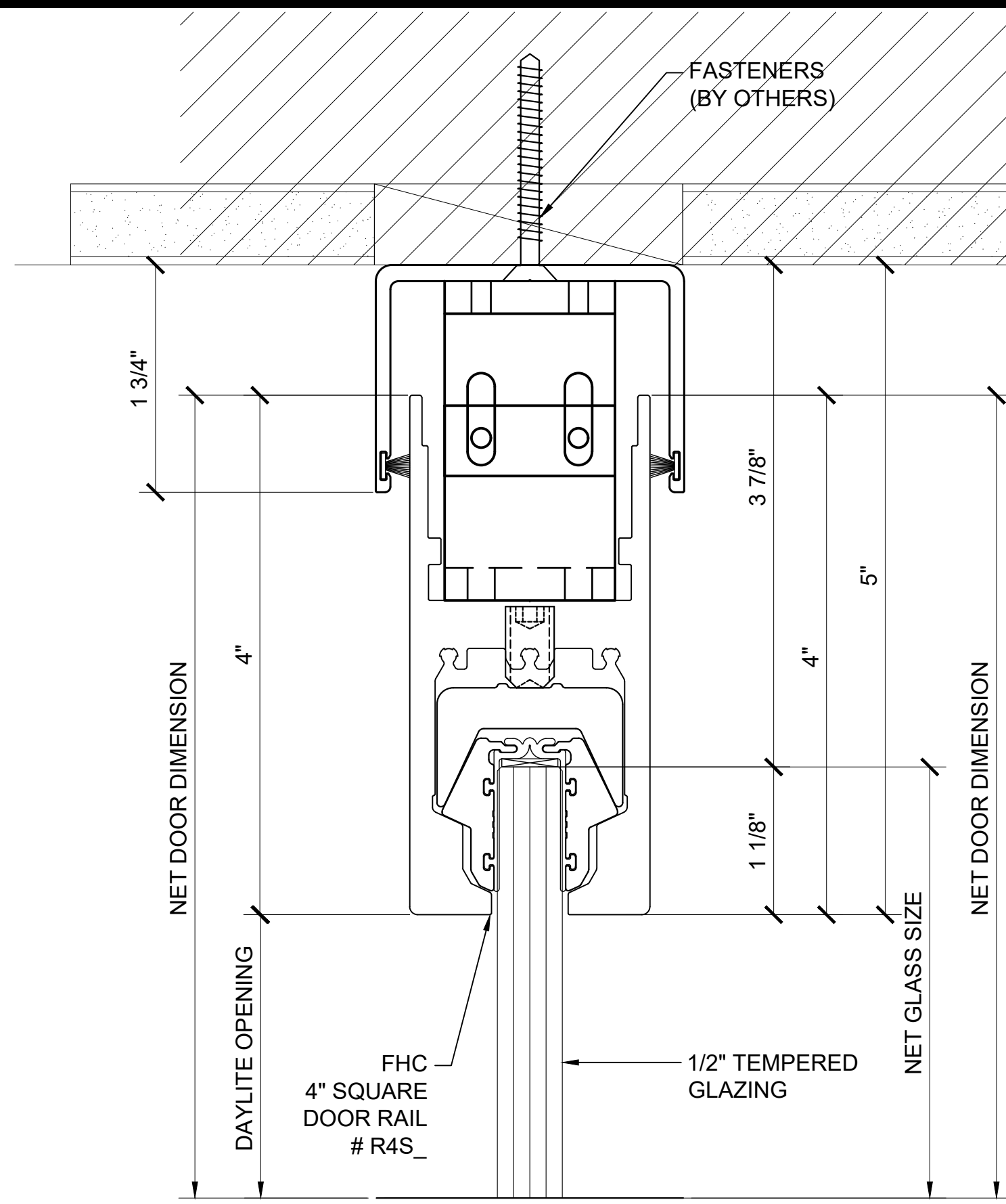
Checked By: PM

Date: 00/00/19

Scale: AS NOTED

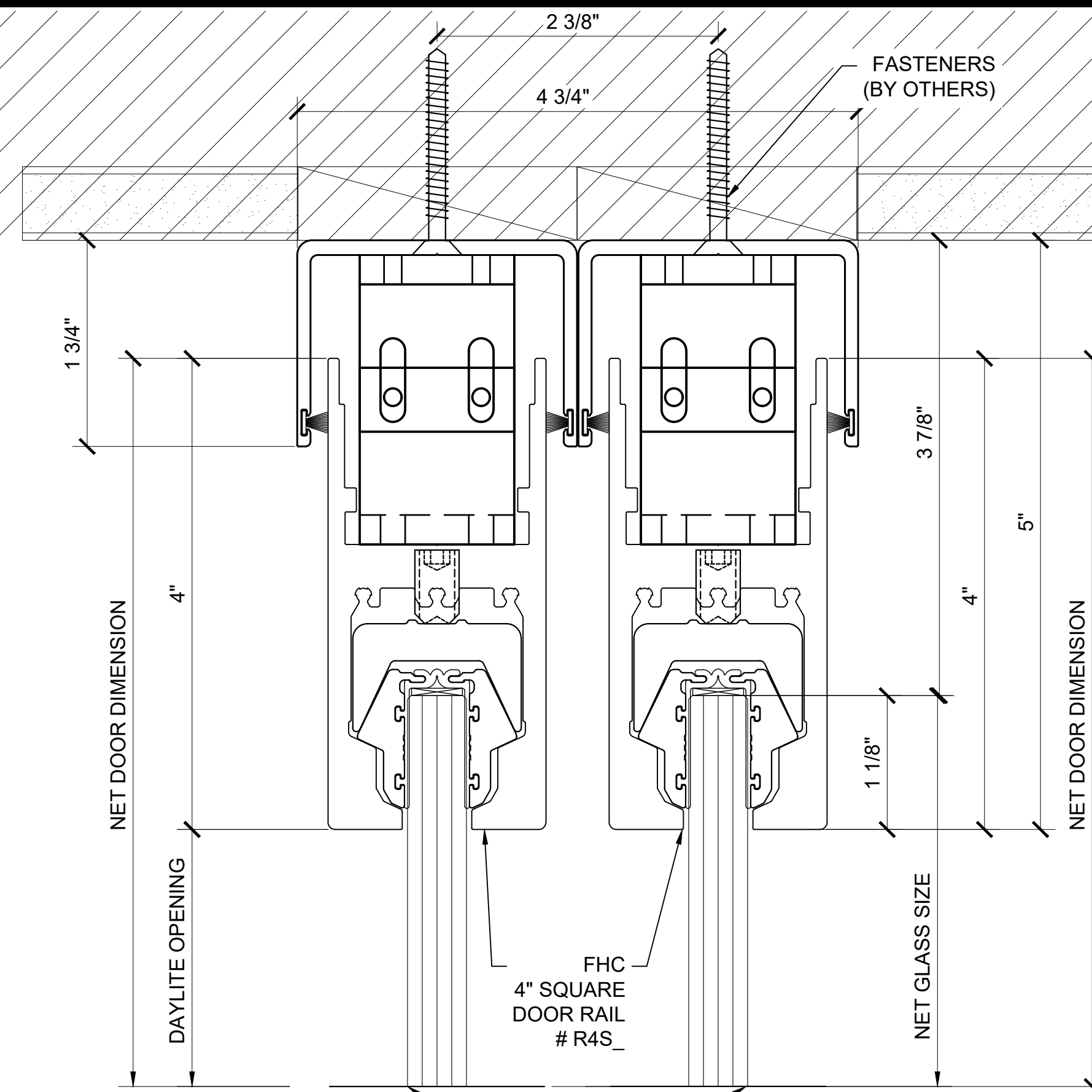
Project #: 000000

Sheet No.



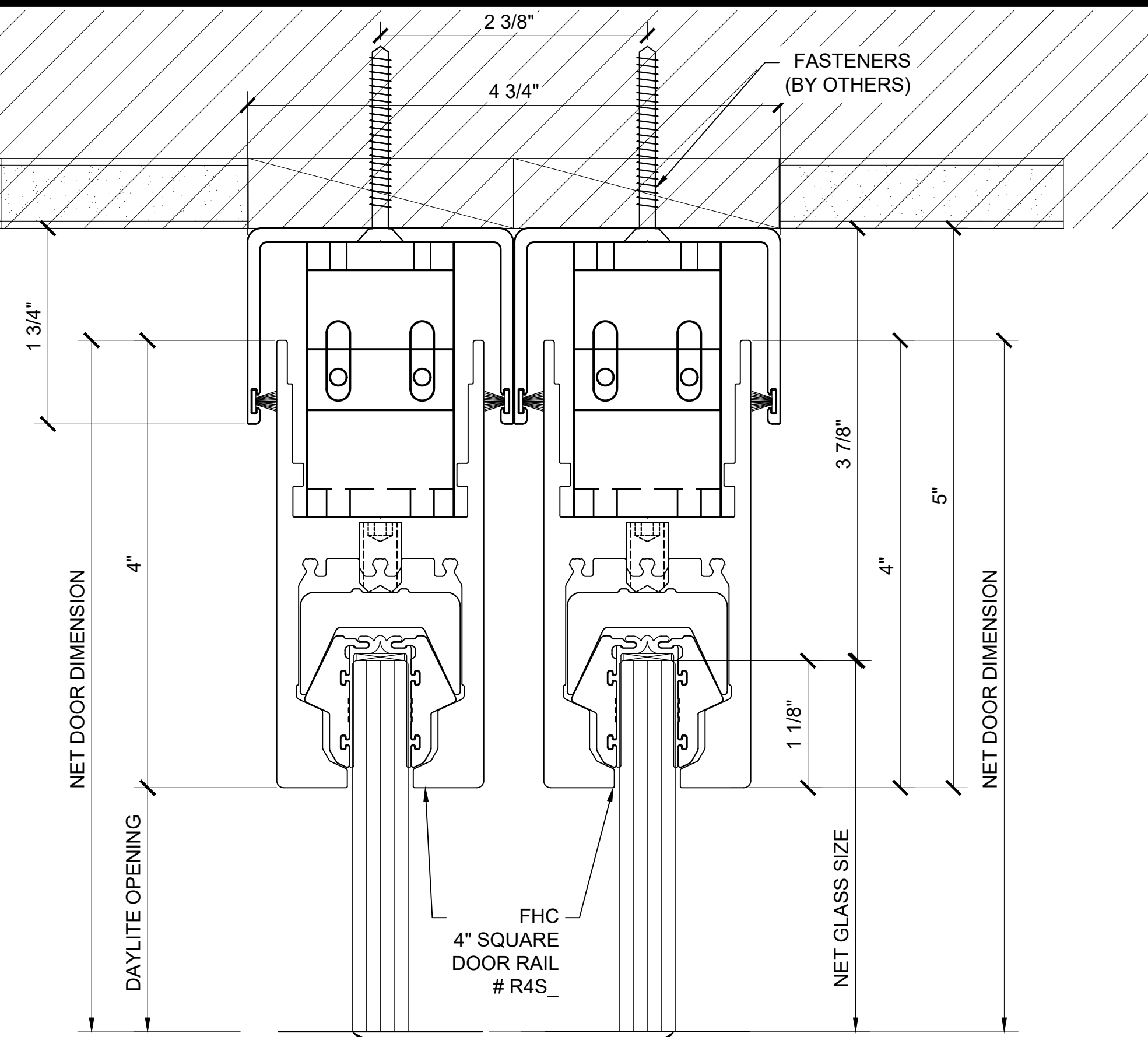
① SECTION DETAIL @ HEAD

ARCH REF: NONE 1'-0"=1'-0"



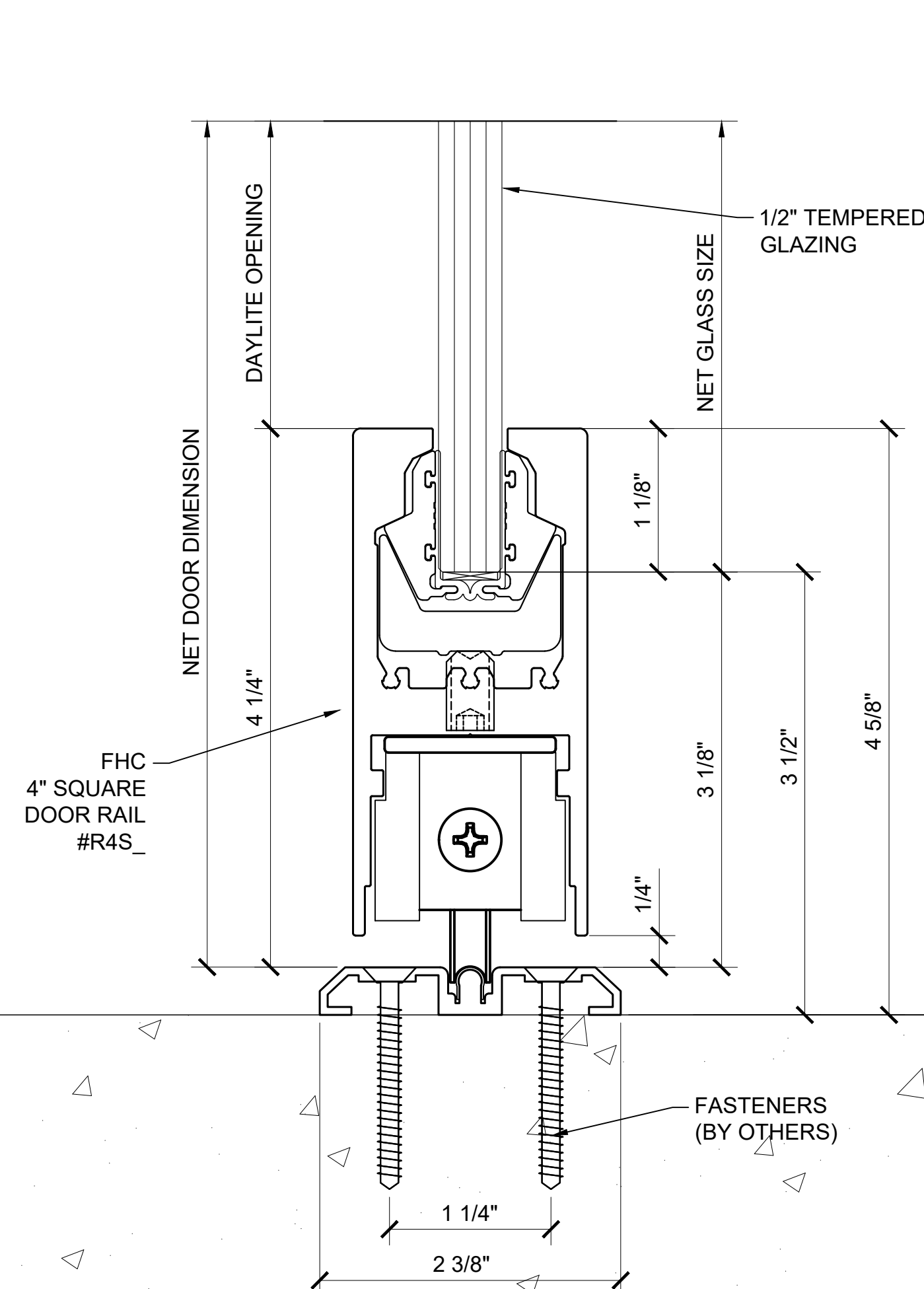
③ SECTION DETAIL @ HEAD

ARCH REF: NONE 1'-0"=1'-0"



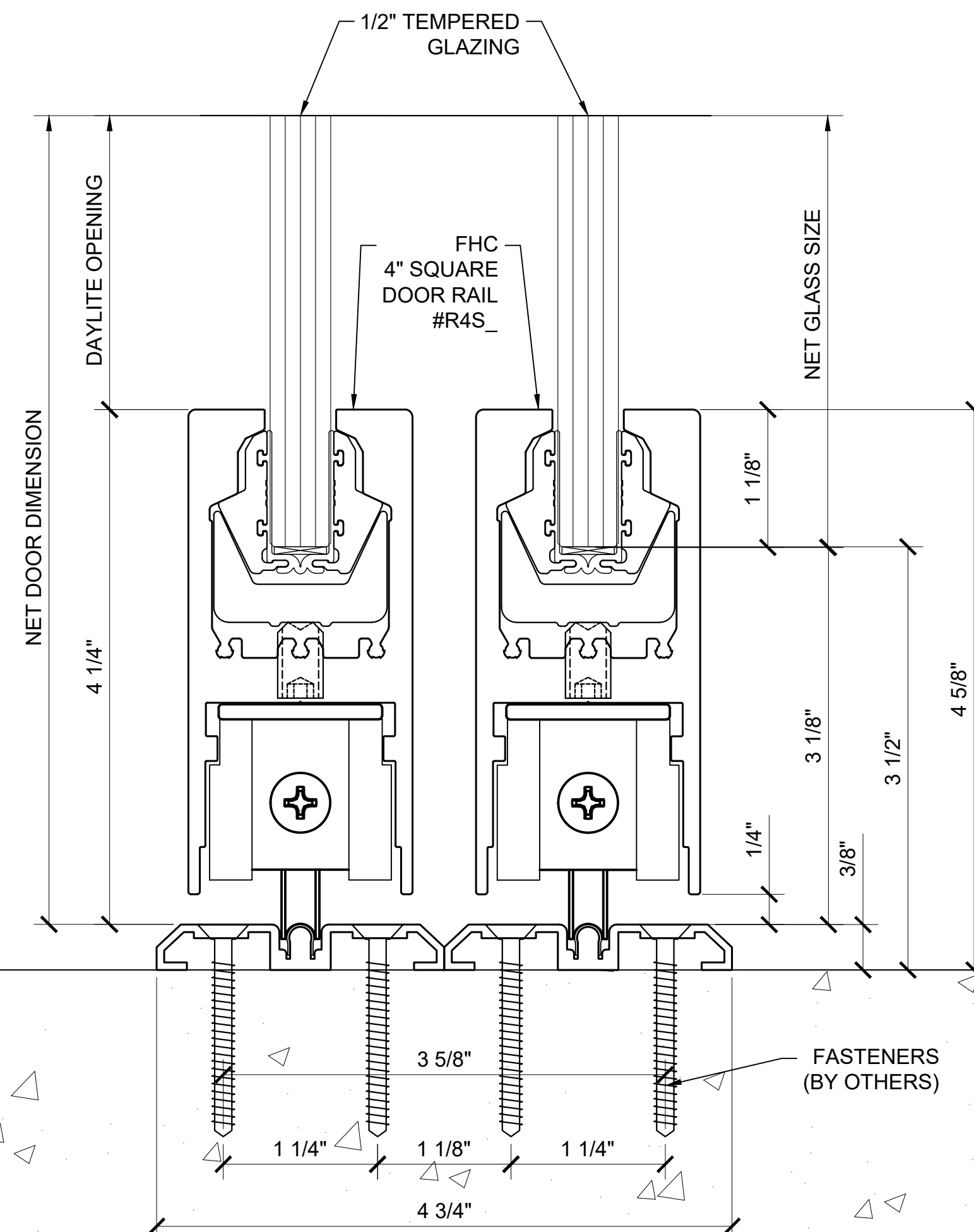
⑤ SECTION DETAIL @ HEAD

ARCH REF: NONE 1'-0"=1'-0"



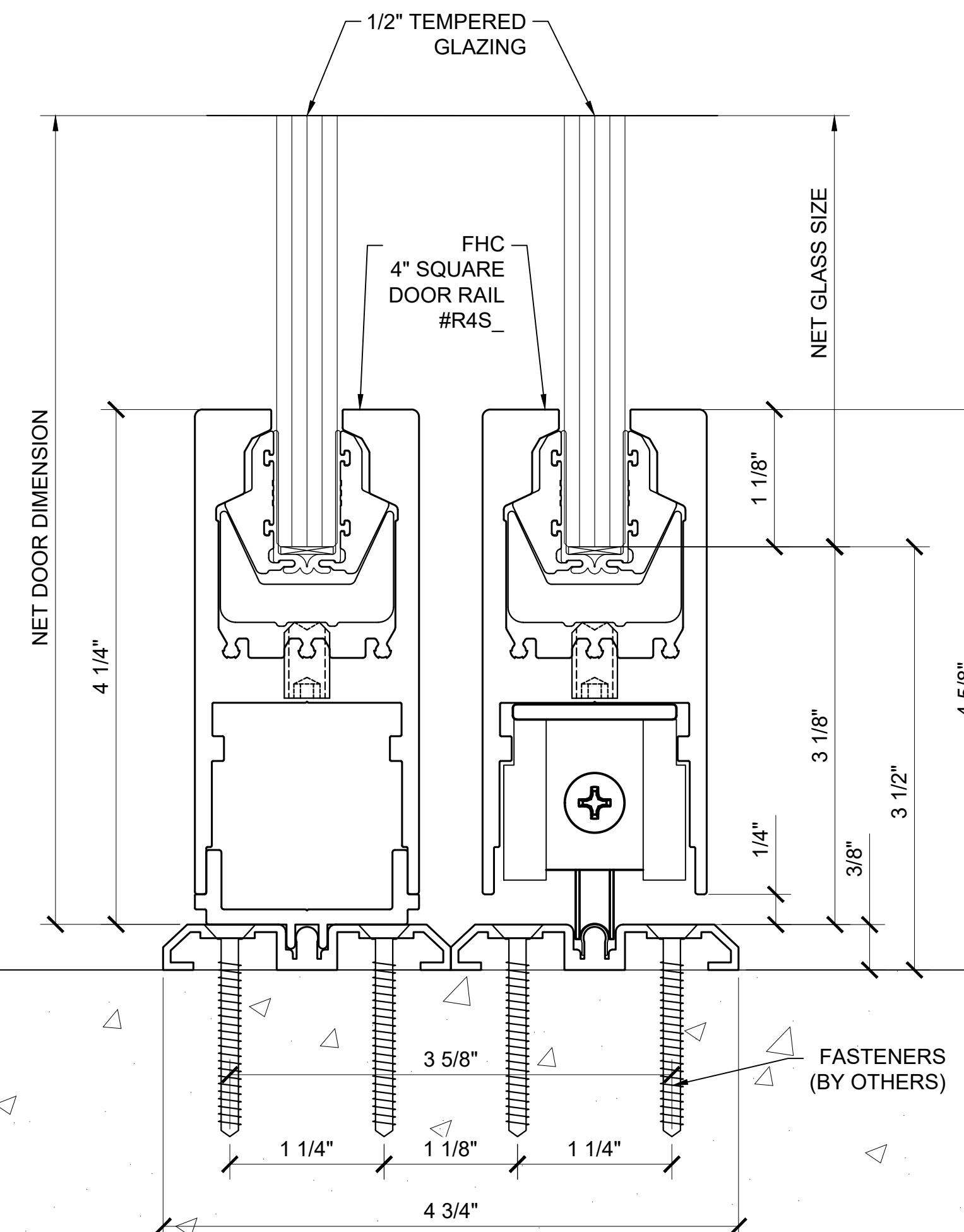
② SECTION DETAIL @ BOTTOM RAIL

ARCH REF: NONE 1'-0"=1'-0"



④ SECTION DETAIL @ BOTTOM RAIL

ARCH REF: NONE 1'-0"=1'-0"



⑥ SECTION DETAIL @ BOTTOM RAIL

ARCH REF: NONE 1'-0"=1'-0"

Architect:

Phone:
Fax:
Contact:

Job Name:

Phone:
Fax:
Contact:

Customer:

Phone:
Fax:
Contact:

DRAWN BY

REV# DATE

Drawn By: YSL

Checked By: PM

Date: 00/00/19

Scale: AS NOTED

Project #: 000000

Sheet No.

11/15/20 YSL

11/25/20 JPL

0

1

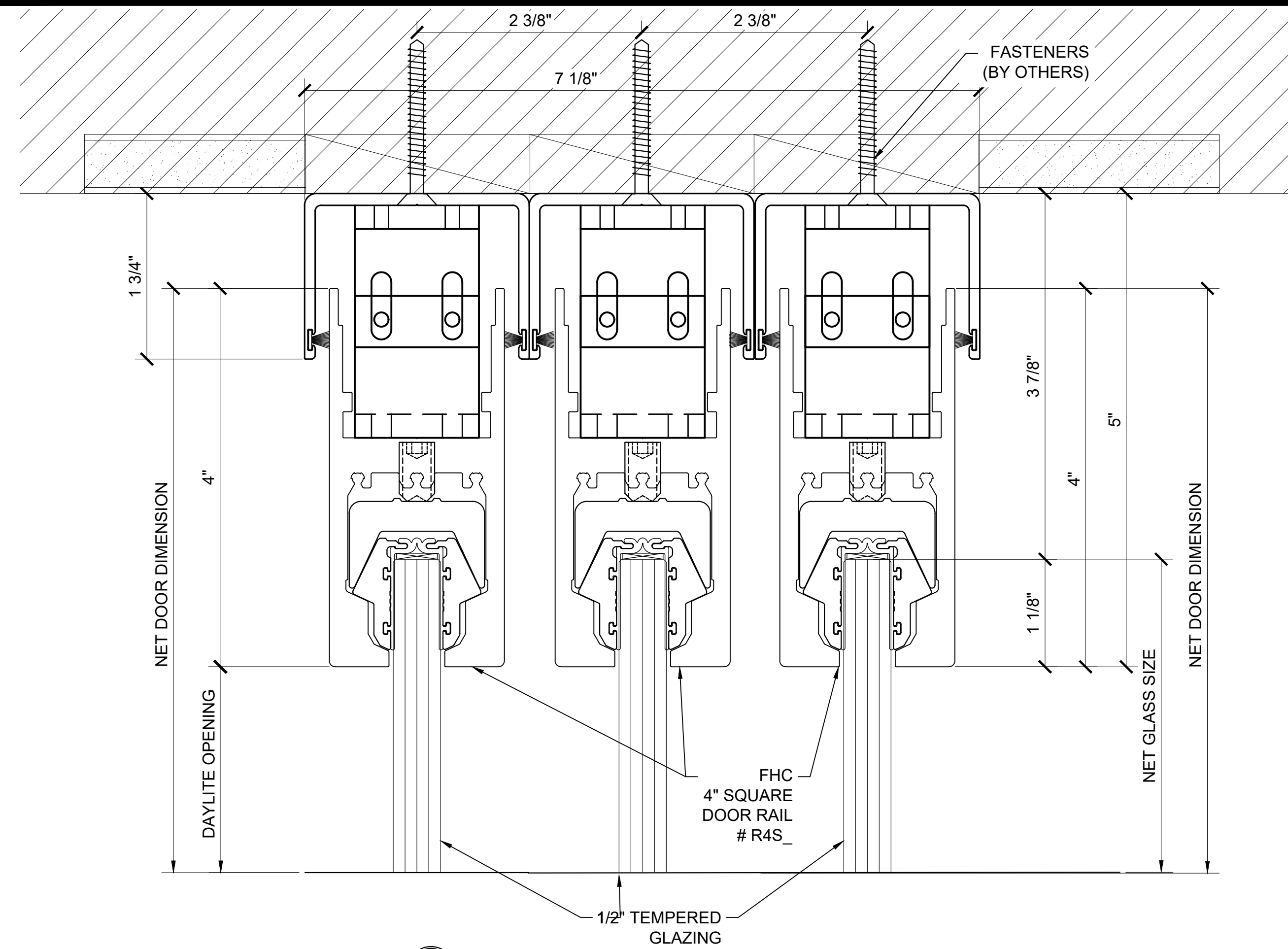
2

3

4

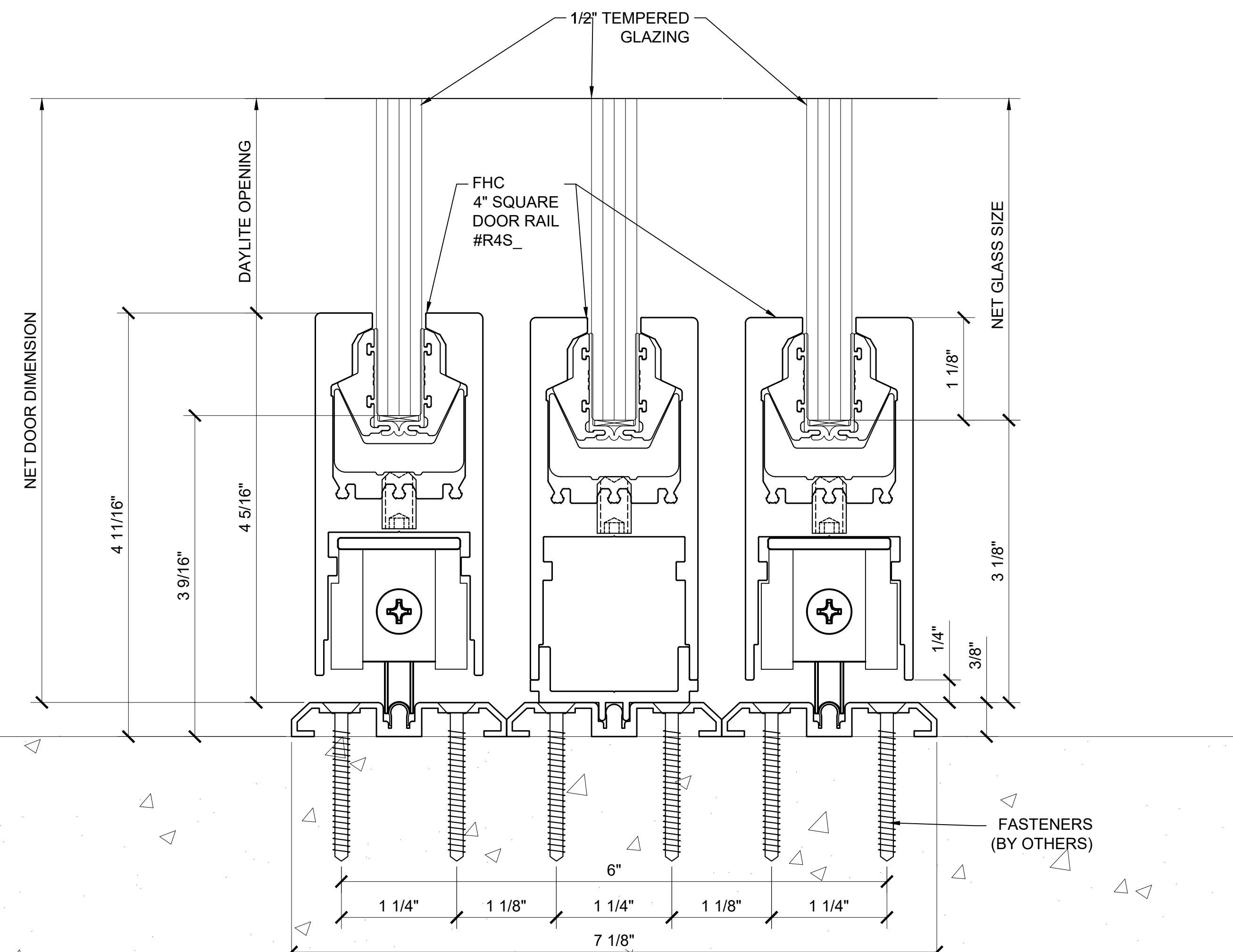
5

6



① SECTION DETAIL @ HEAD

ARCH REF: NONE 1'-0"=1'-0"



② SECTION DETAIL @ BOTTOM RAIL

ARCH REF: NONE 1'-0"=1'-0"

Architect:

Phone:
 Fax:
 Contact:

Job Name:

Phone:
 Fax:
 Contact:

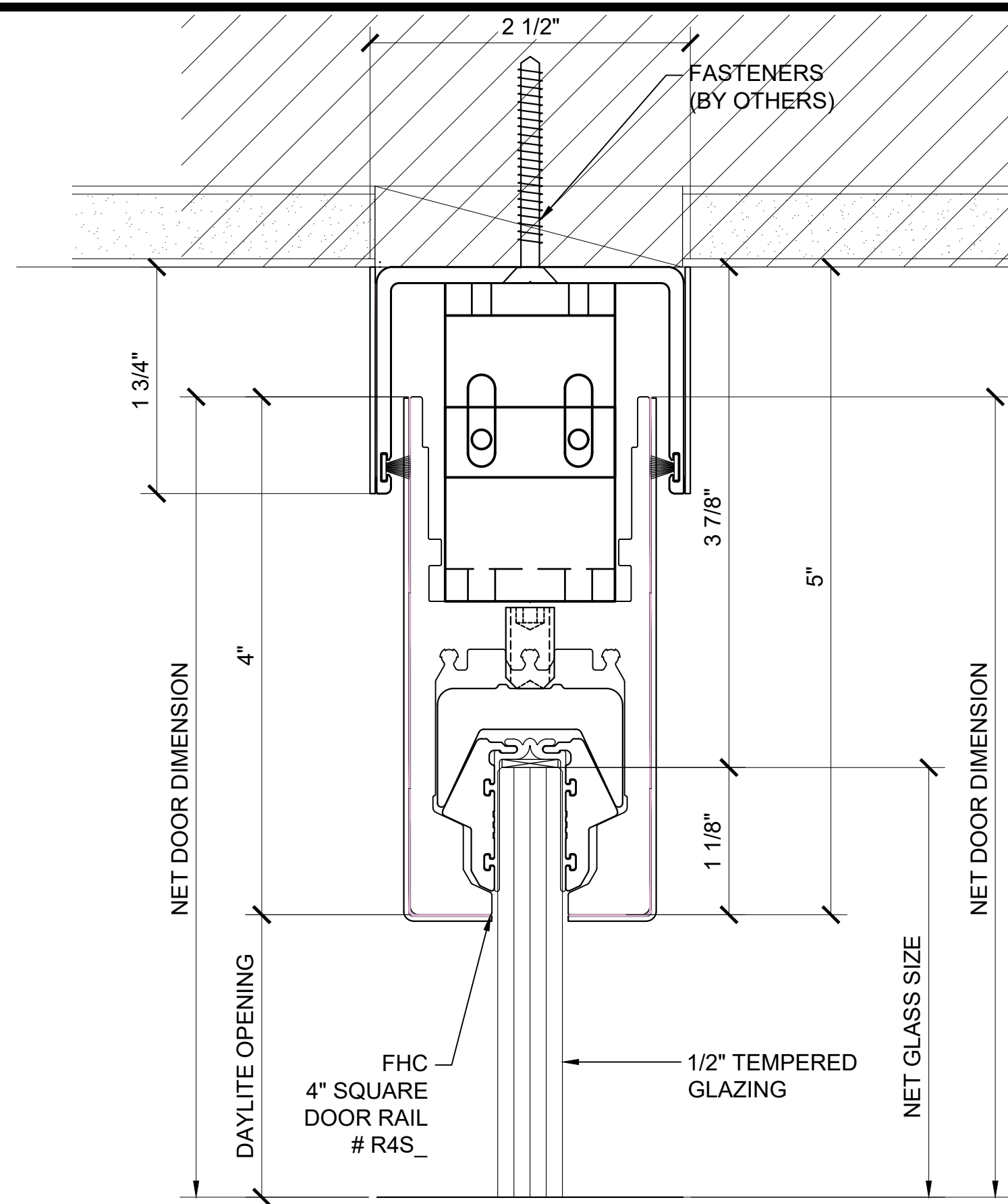
Customer:

Phone:
 Fax:
 Contact:

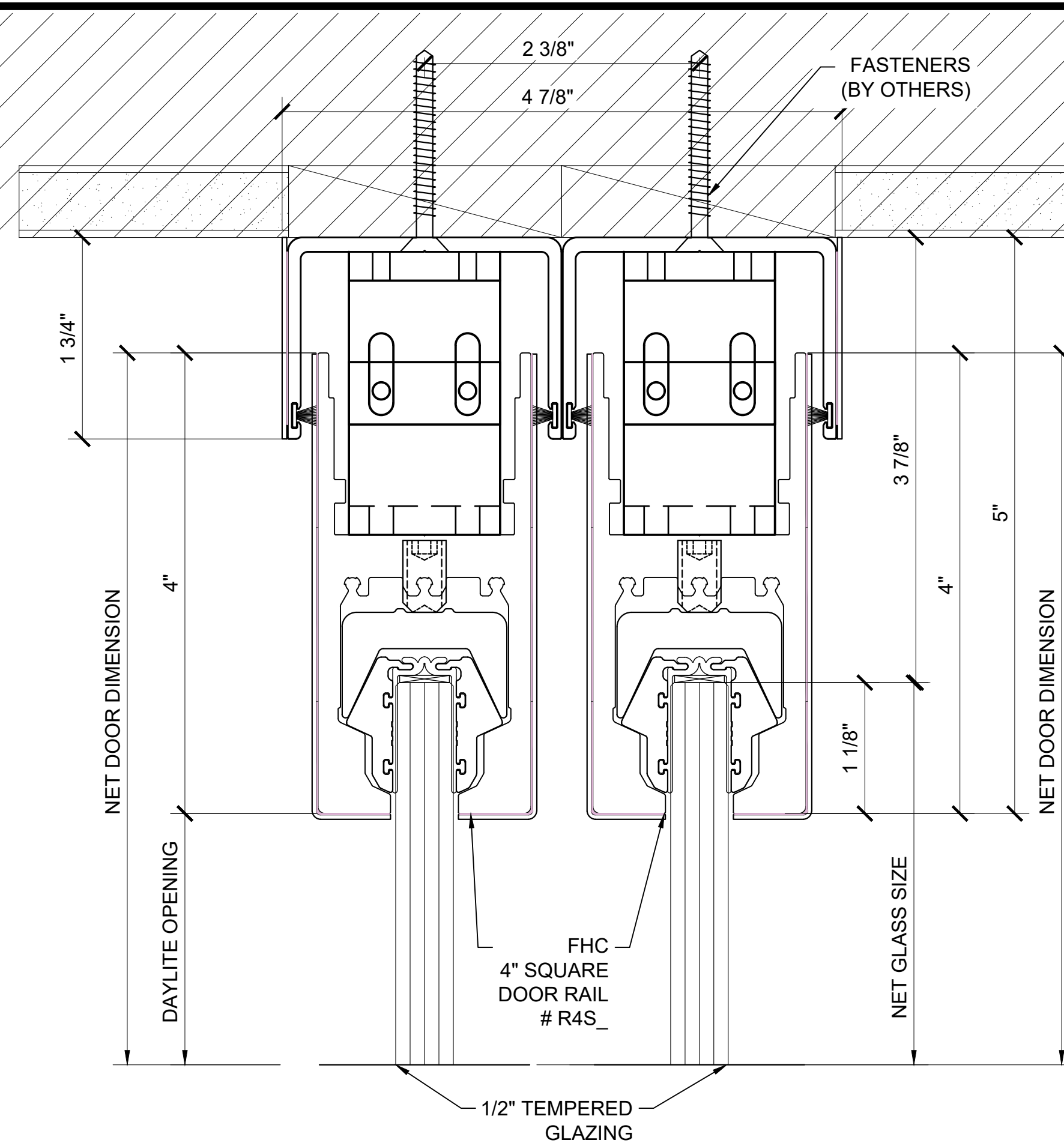
REV#	DATE	DRAWN BY
0	11/15/20	YSL
1	11/25/20	JPL
2		
3		
4		
5		
6		

Drawn By: YSL
 Checked By: PM
 Date: 00/00/19
 Scale: AS NOTED
 Project #: 000000

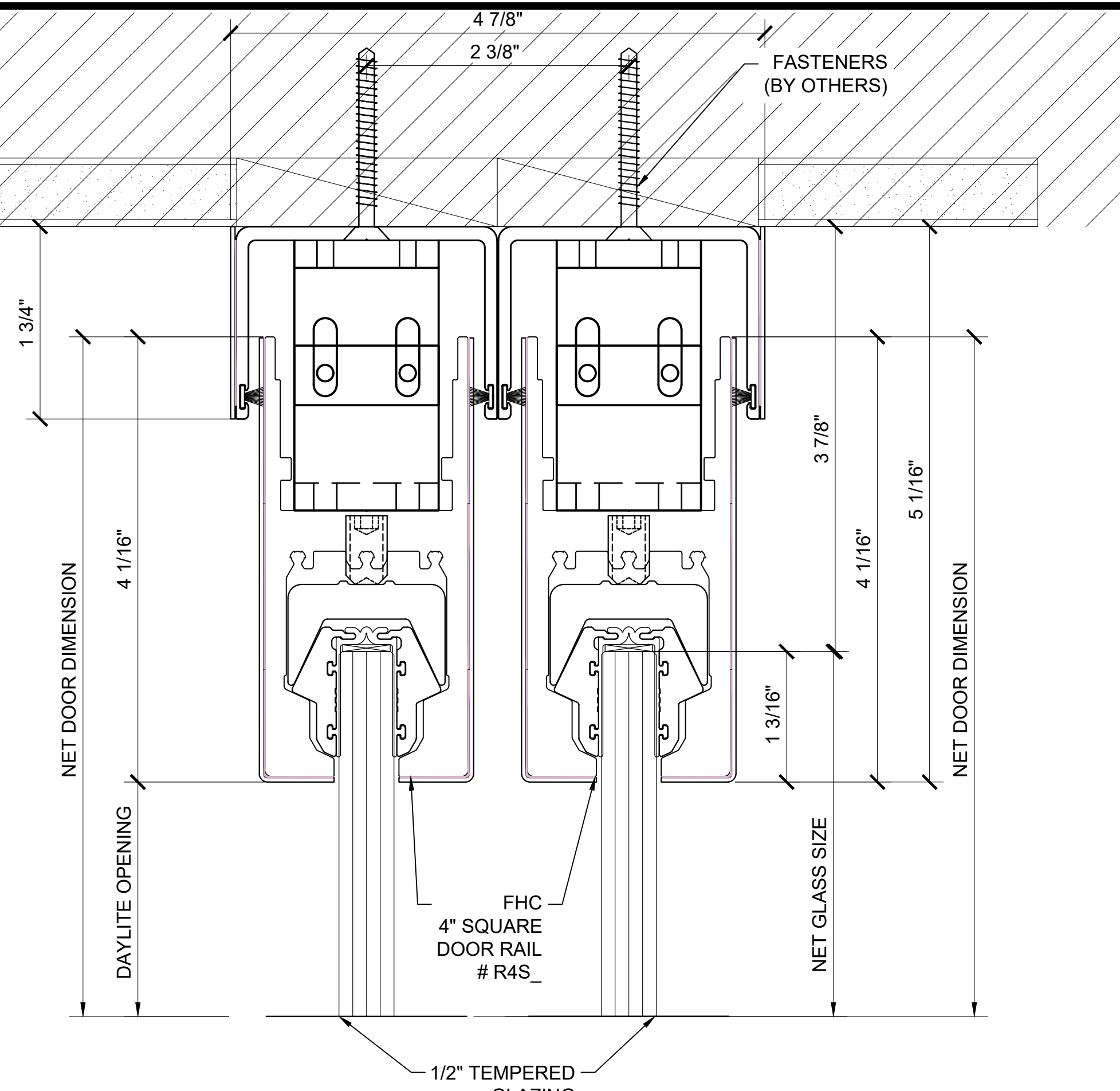
Sheet No.



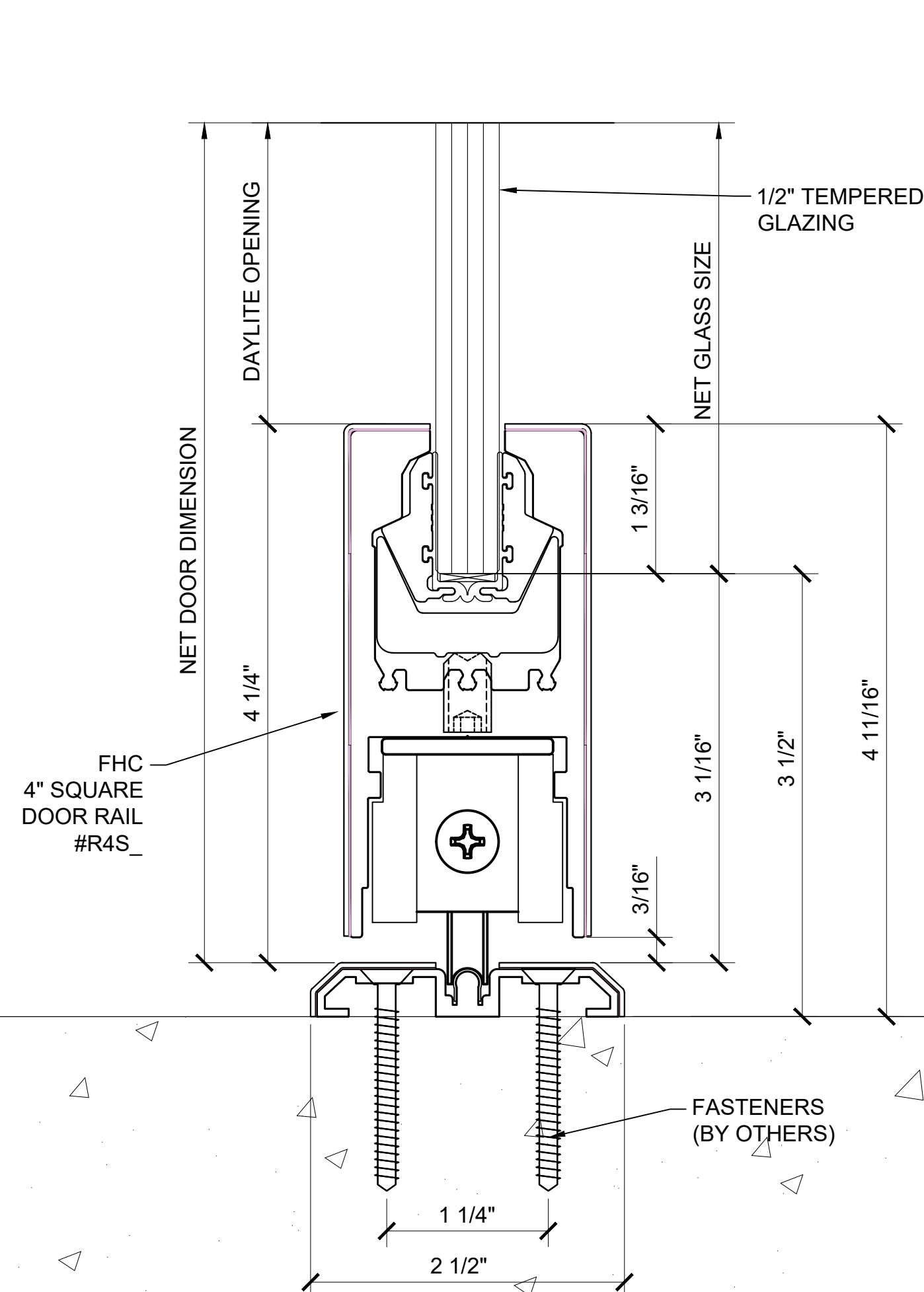
1 SECTION DETAIL @ HEAD (CLAD)
 ARCH REF: NONE 1'-0"=1'-0"



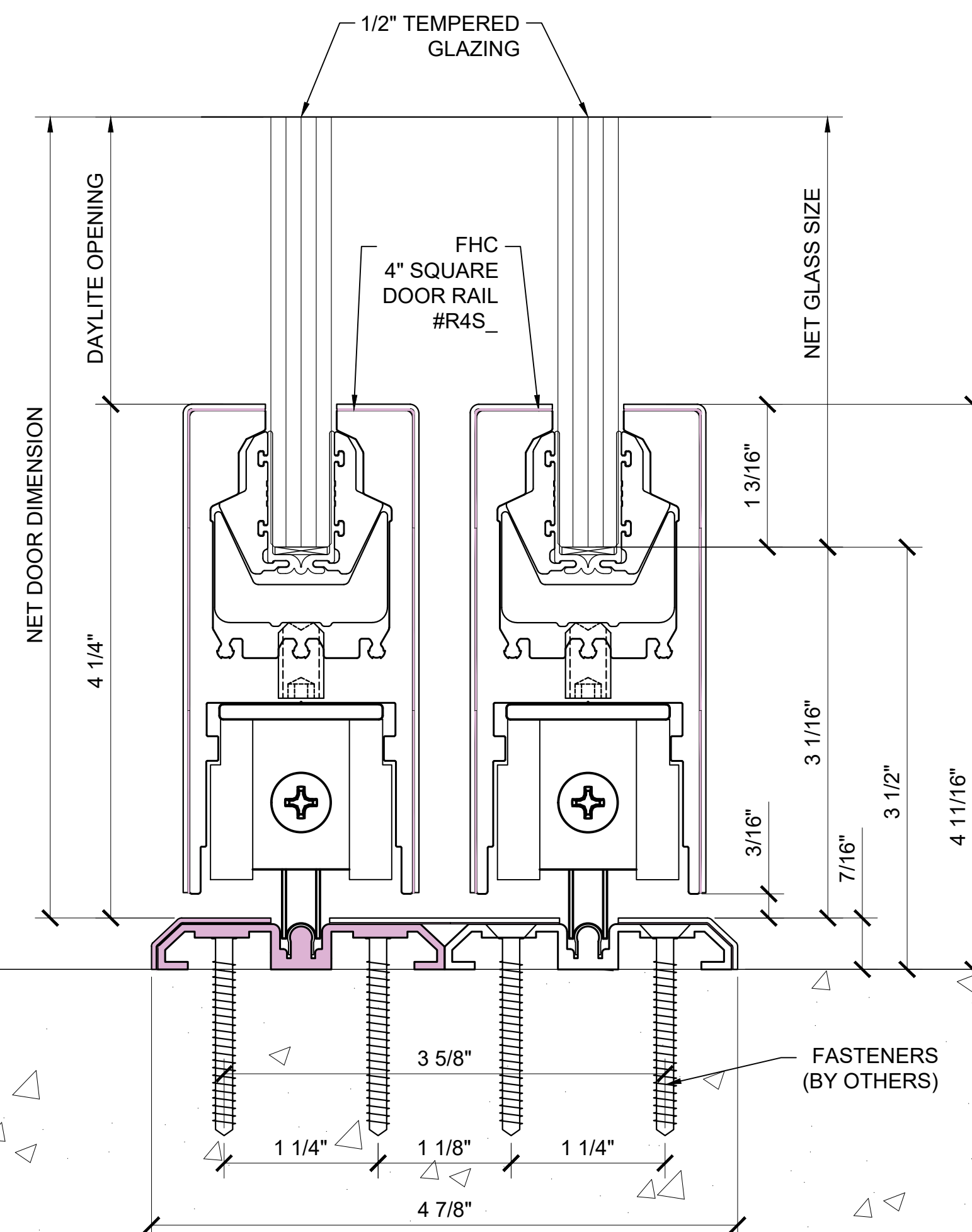
3 SECTION DETAIL @ HEAD (CLAD)
 ARCH REF: NONE 1'-0"=1'-0"



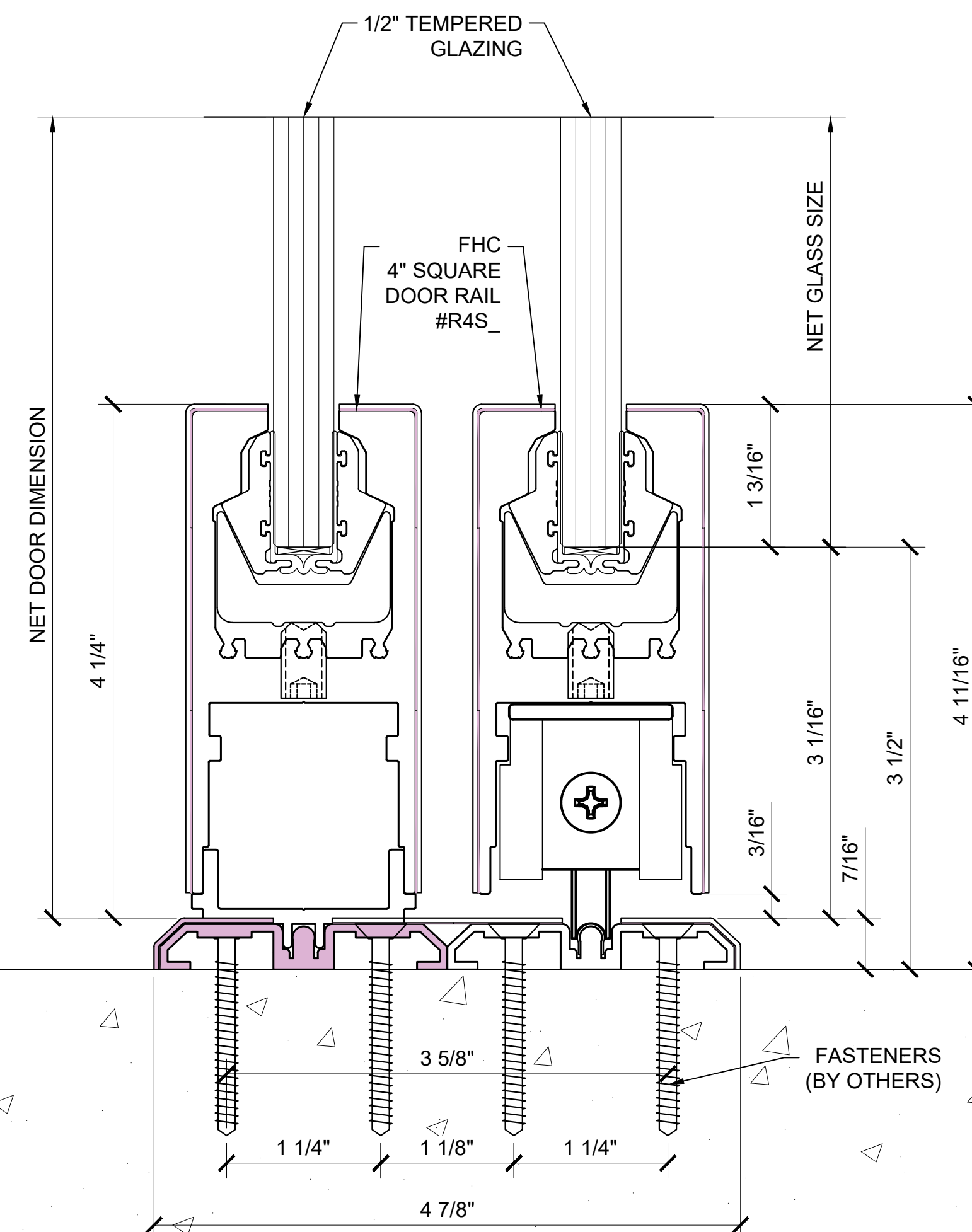
5 SECTION DETAIL @ HEAD (CLAD)
 ARCH REF: NONE 1'-0"=1'-0"



2 SECTION DETAIL @ BOTTOM RAIL (CLAD)
 ARCH REF: NONE 1'-0"=1'-0"



4 SECTION DETAIL @ BOTTOM RAIL (CLAD)
 ARCH REF: NONE 1'-0"=1'-0"



6 SECTION DETAIL @ BOTTOM RAIL (CLAD)
 ARCH REF: NONE 1'-0"=1'-0"

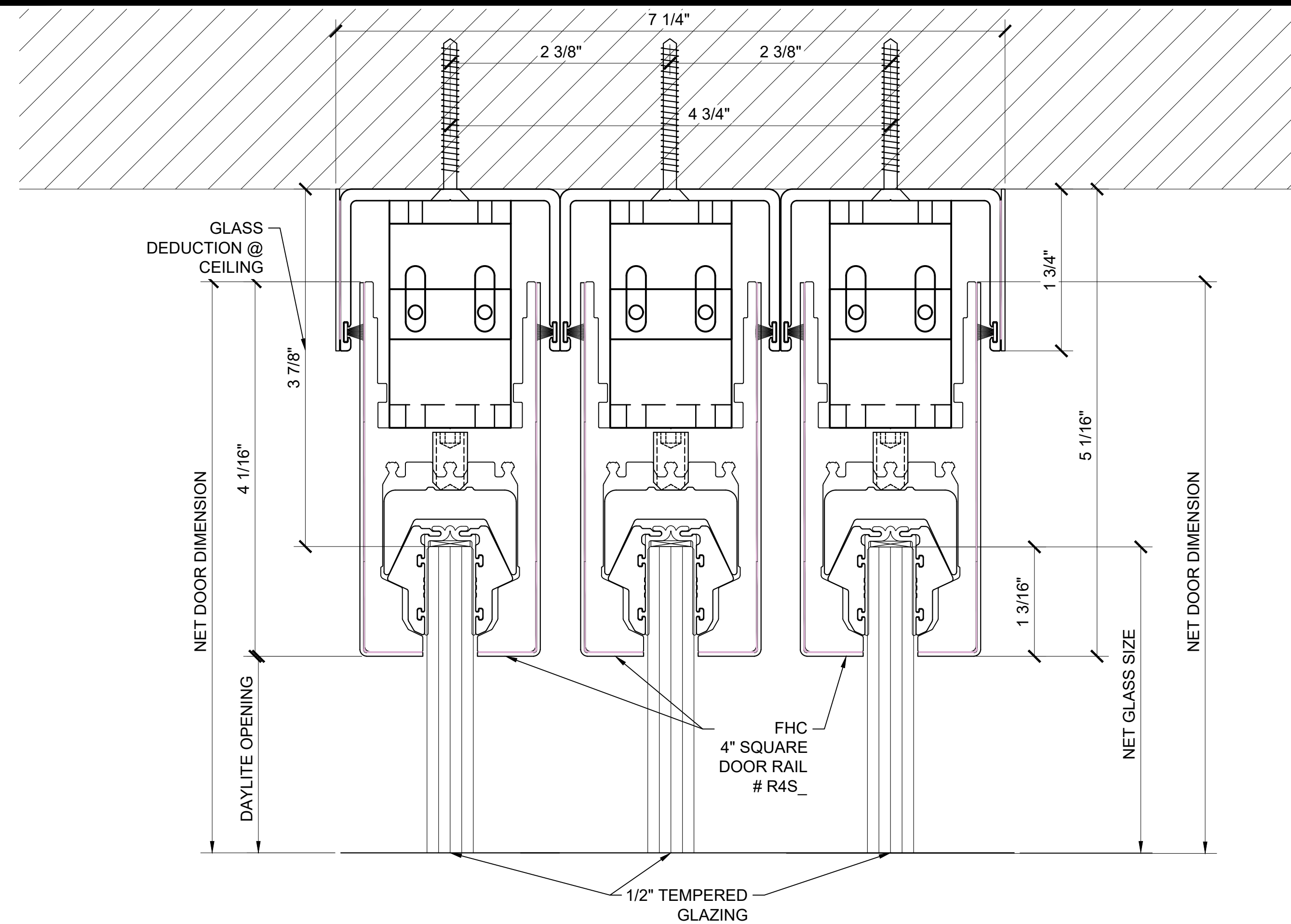
Architect: _____
 Phone: _____
 Fax: _____
 Contact: _____

Job Name: _____
 Phone: _____
 Fax: _____
 Contact: _____

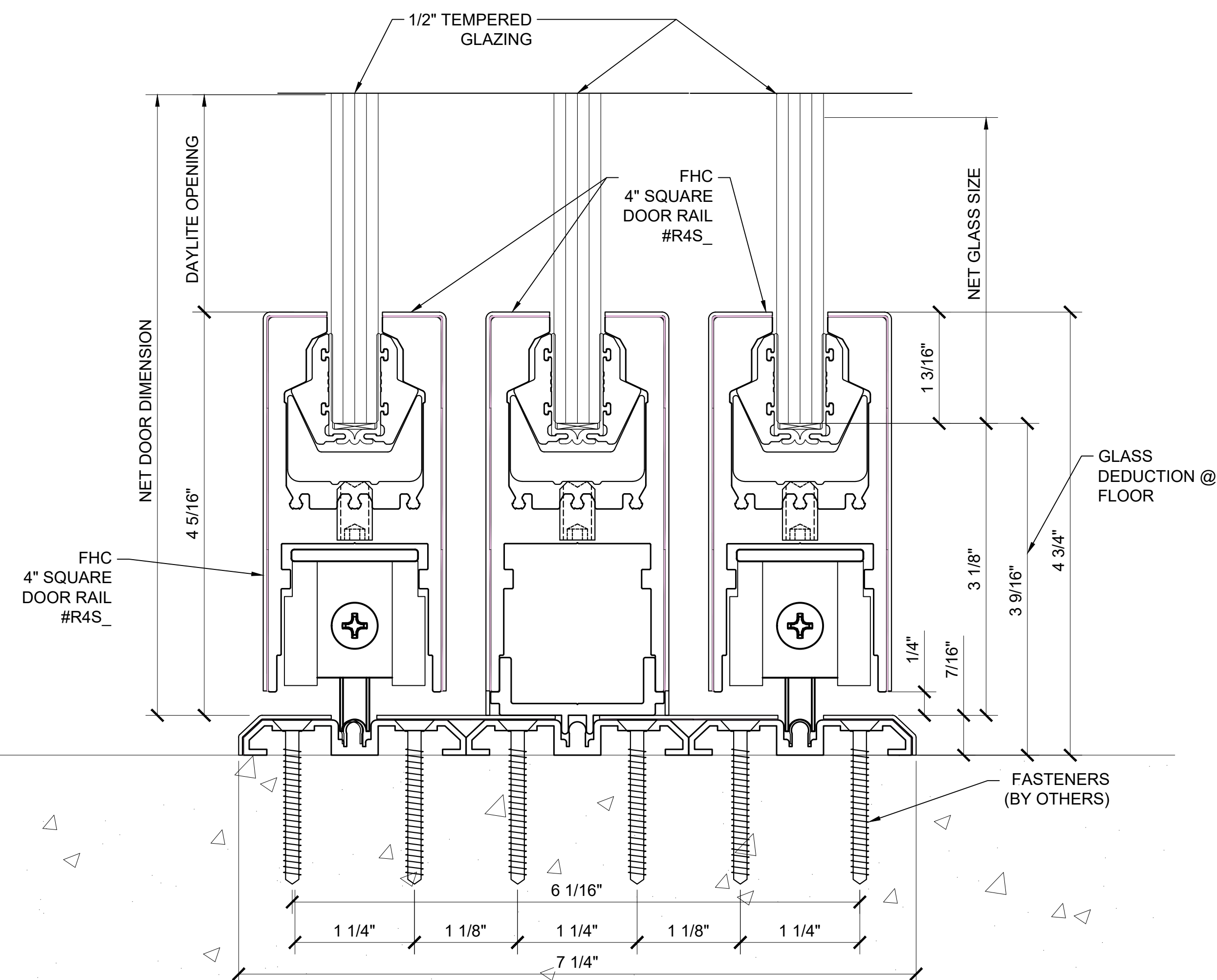
Customer: _____
 Phone: _____
 Fax: _____
 Contact: _____

REV#	DATE	DRAWN BY
0	11/15/20	YSL
1	11/25/20	JPL
2		
3		
4		
5		
6		

Drawn By: YSL
 Checked By: PM
 Date: 00/00/19
 Scale: AS NOTED
 Project #: 000000



① SECTION DETAIL @ HEAD (CLAD)
 ARCH REF: NONE 1'-0"=1'-0"



② SECTION DETAIL @ BOTTOM RAIL (CLAD)
 ARCH REF: NONE 1'-0"=1'-0"

Architect: _____
 Job Name: _____
 Customer: _____
 Phone: _____
 Fax: _____
 Contact: _____

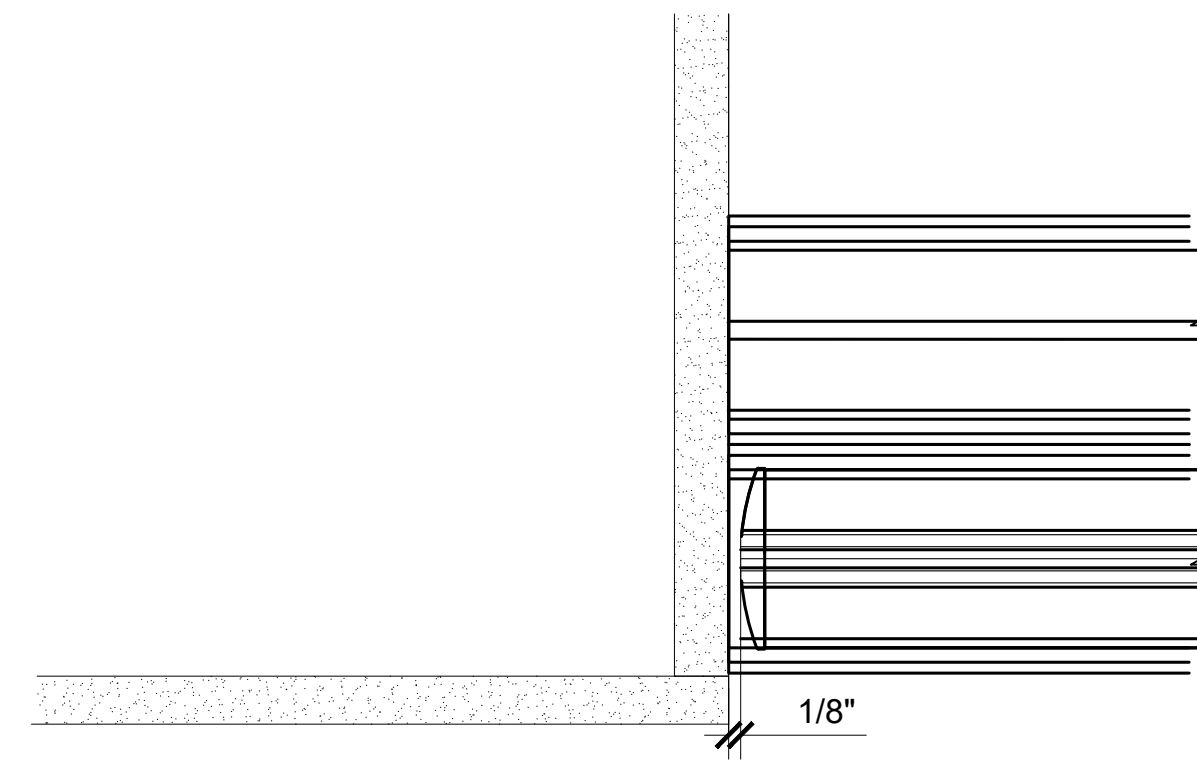
Architect: _____
 Job Name: _____
 Customer: _____
 Phone: _____
 Fax: _____
 Contact: _____

Architect: _____
 Job Name: _____
 Customer: _____
 Phone: _____
 Fax: _____
 Contact: _____

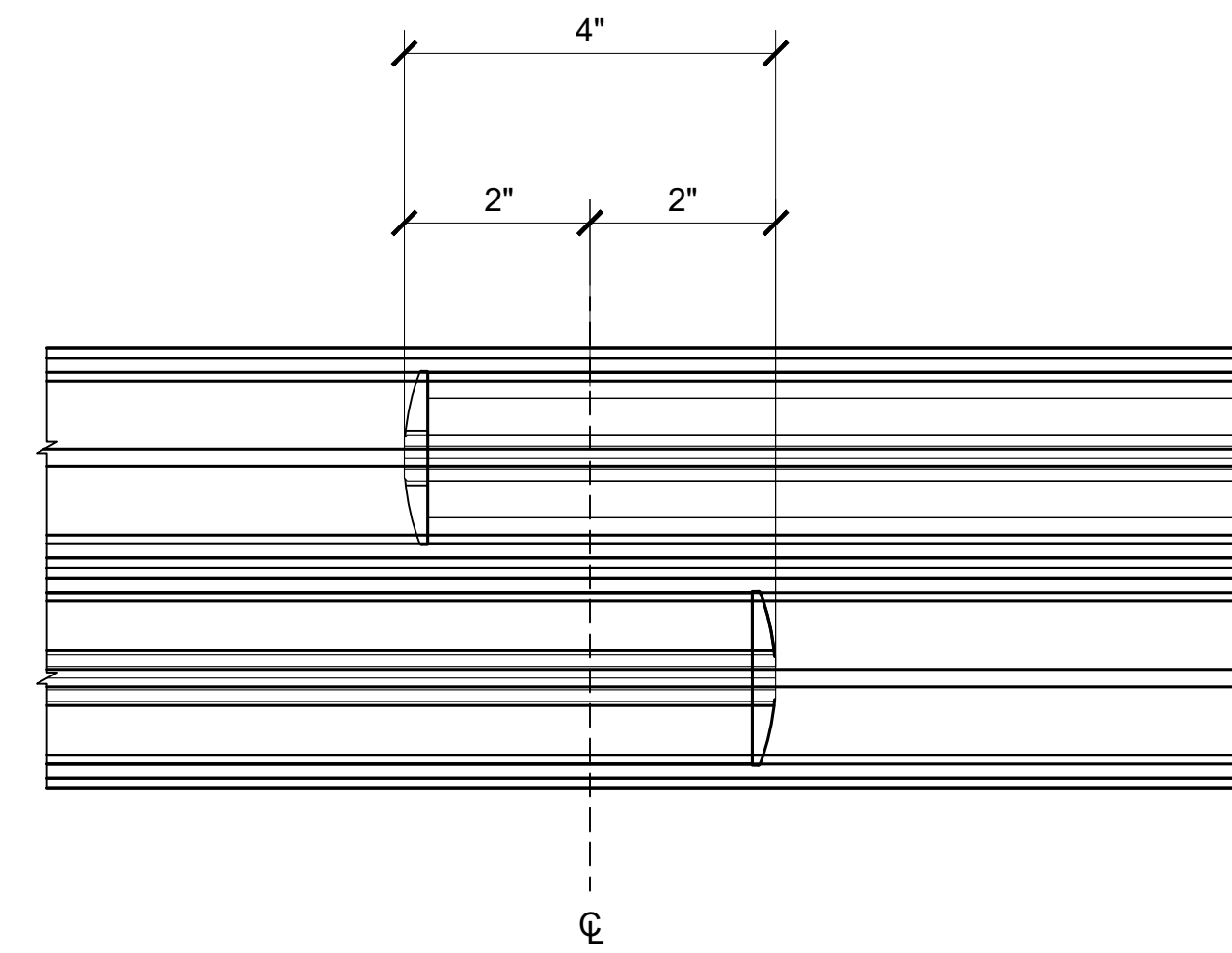
REV#	DATE	DRAWN BY
0	11/15/20	YSL
1	11/25/20	JPL
2		
3		
4		
5		
6		

Drawn By: YSL
 Checked By: PM
 Date: 00/00/19
 Scale: AS NOTED
 Project #: 000000

ENLARGED VIEW @ JAMB AND PANEL OVERLAP



1A PDS - FIXED PANEL JAMB - ENLARGED PLAN VIEW
 ARCH REF: NONE 6" = 1'-0"



1B PDS - 4" OVERLAP - ENLARGED PLAN VIEW
 ARCH REF: NONE 6" = 1'-0"

Architect: _____
 Phone: _____
 Fax: _____
 Contact: _____

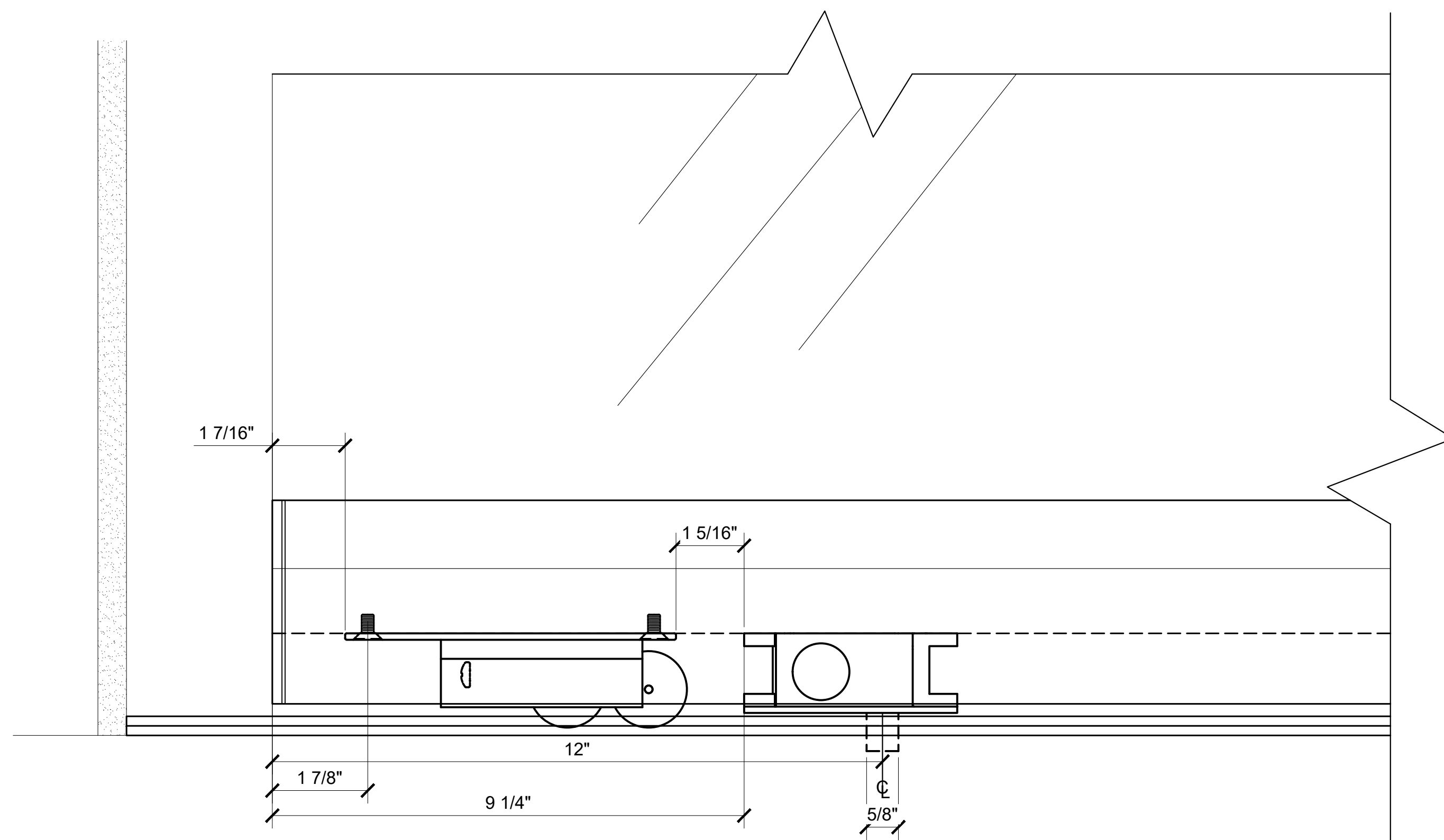
Job Name: _____
 Phone: _____
 Fax: _____
 Contact: _____

Customer: _____
 Phone: _____
 Fax: _____
 Contact: _____

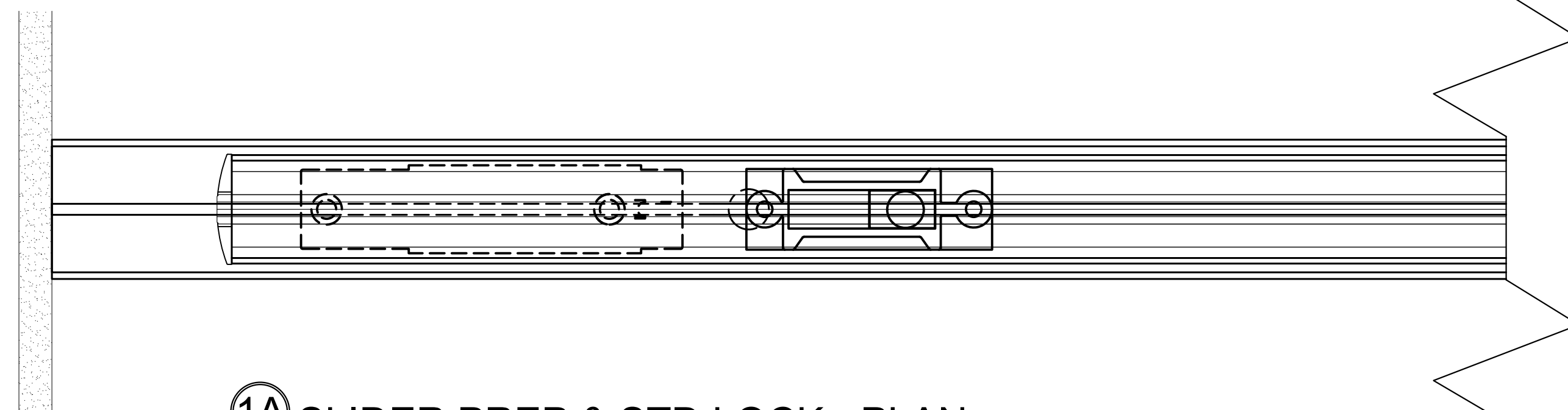
REV#	DATE	DRAWN BY
0	11/15/20	YSL
1	11/25/20	JPL
2		
3		
4		
5		
6		

Drawn By: YSL
 Checked By: PM
 Date: 00/00/19
 Scale: AS NOTED
 Project #: 000000

4" RAIL WITH SLIDER PREP & STD LOCK

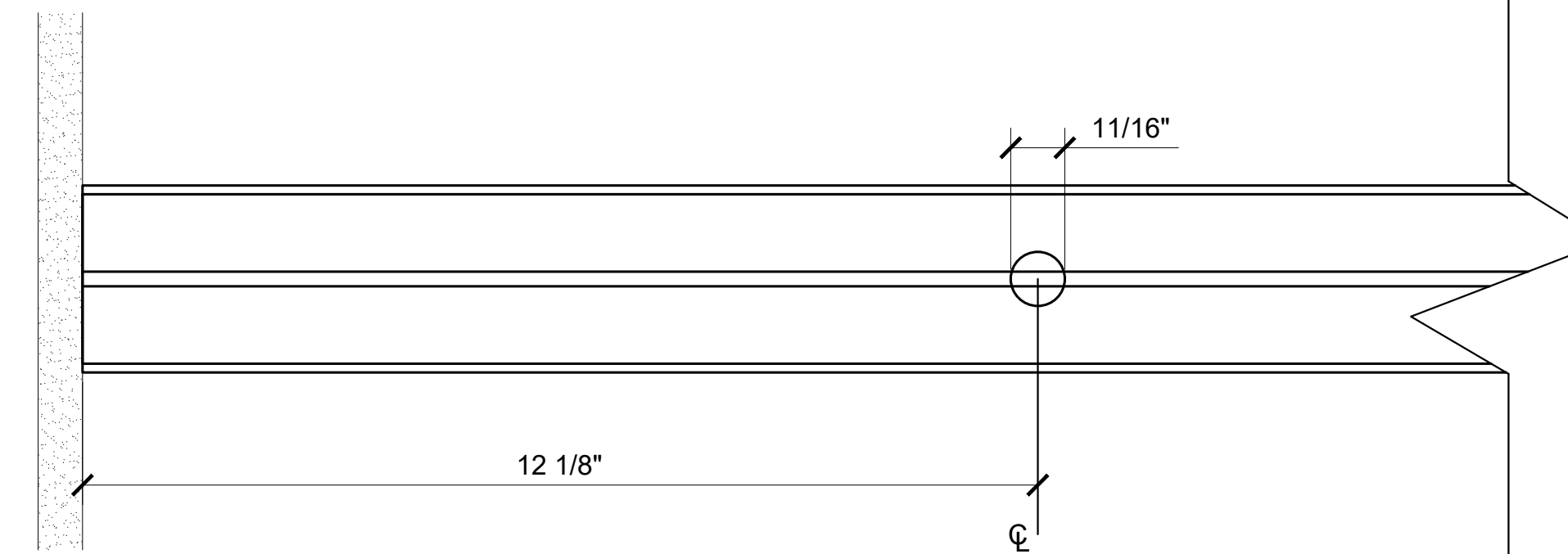


1B SLIDER PREP & STD LOCK - ELEVATION
 ARCH REF: NONE 6"=1'-0"

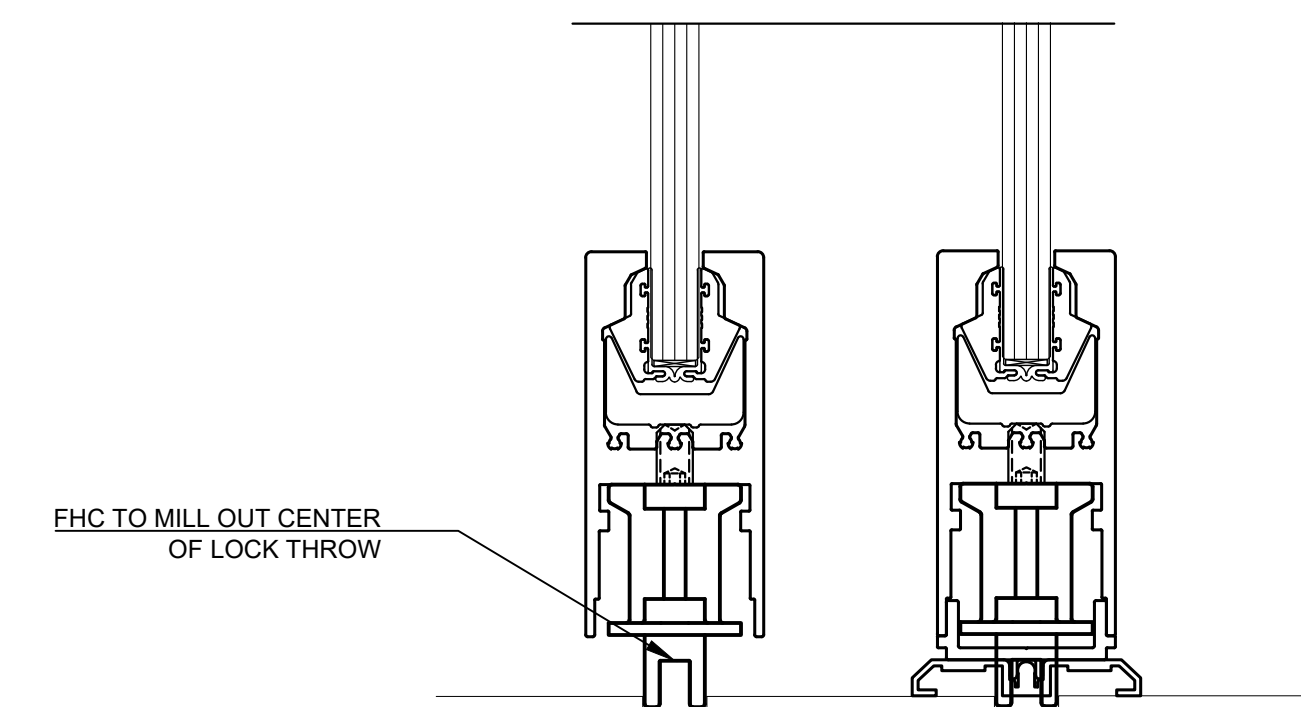


1A SLIDER PREP & STD LOCK - PLAN
 ARCH REF: NONE 6"=1'-0"

NOTE: CUT ONLY ALUMINUM EXTRUSION
 DON'T CUT STAINLESS COVER BAR



1D STANDARD LOCK PREP- PLAN
 ARCH REF: NONE 6"=1'-0"



1C SLIDER PREP & STD LOCK - SECTION
 ARCH REF: NONE 6"=1'-0"

Architect: _____
 Phone: _____
 Fax: _____
 Contact: _____

Job Name: _____
 Phone: _____
 Fax: _____
 Contact: _____

Customer: _____
 Phone: _____
 Fax: _____
 Contact: _____

REV#	DATE	DRAWN BY
0	11/15/20	YSL
1	11/25/20	JPL
2		
3		
4		
5		
6		

Drawn By: YSL
 Checked By: PM
 Date: 00/00/19
 Scale: AS NOTED
 Project #: 000000

Sheet No.