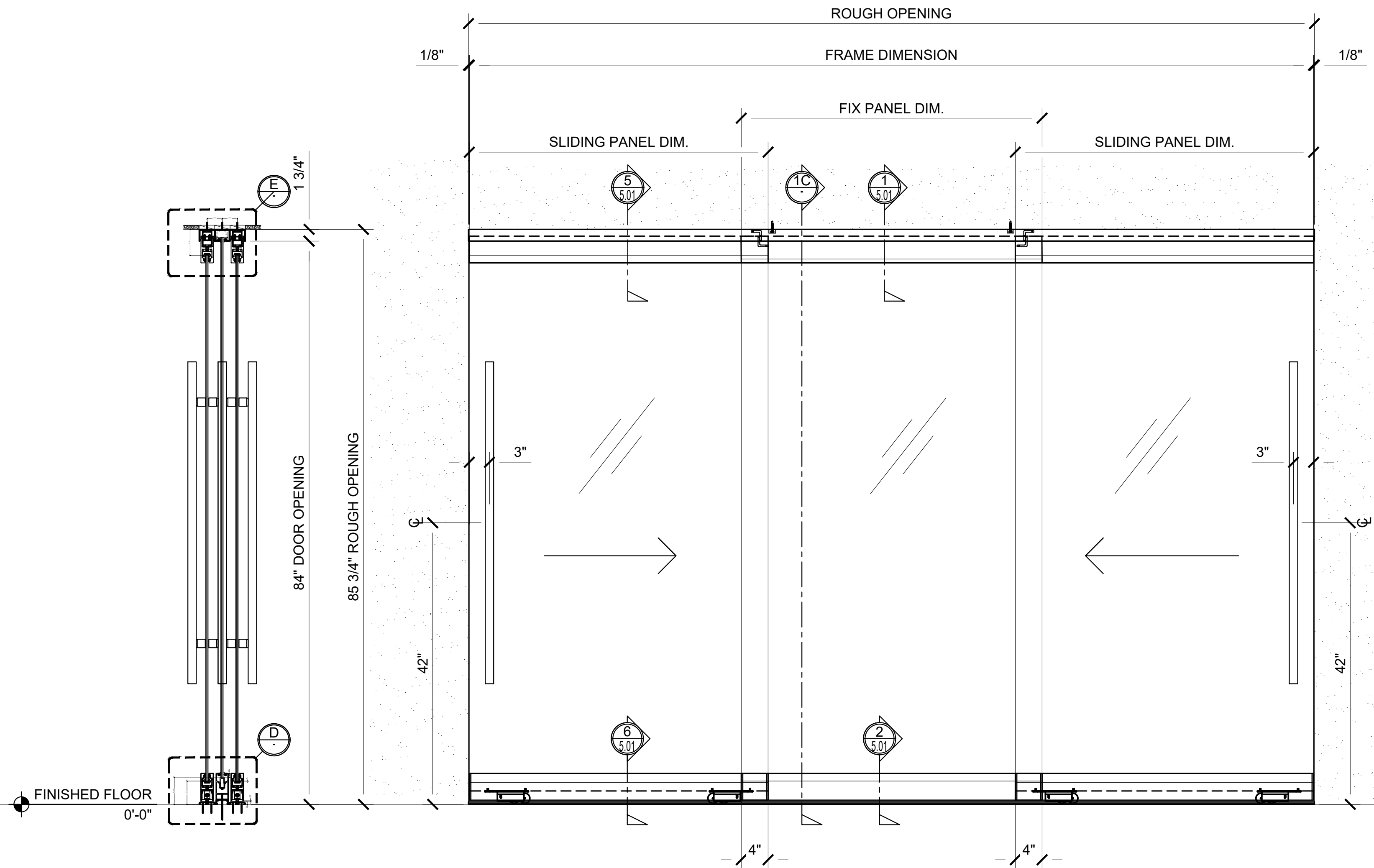
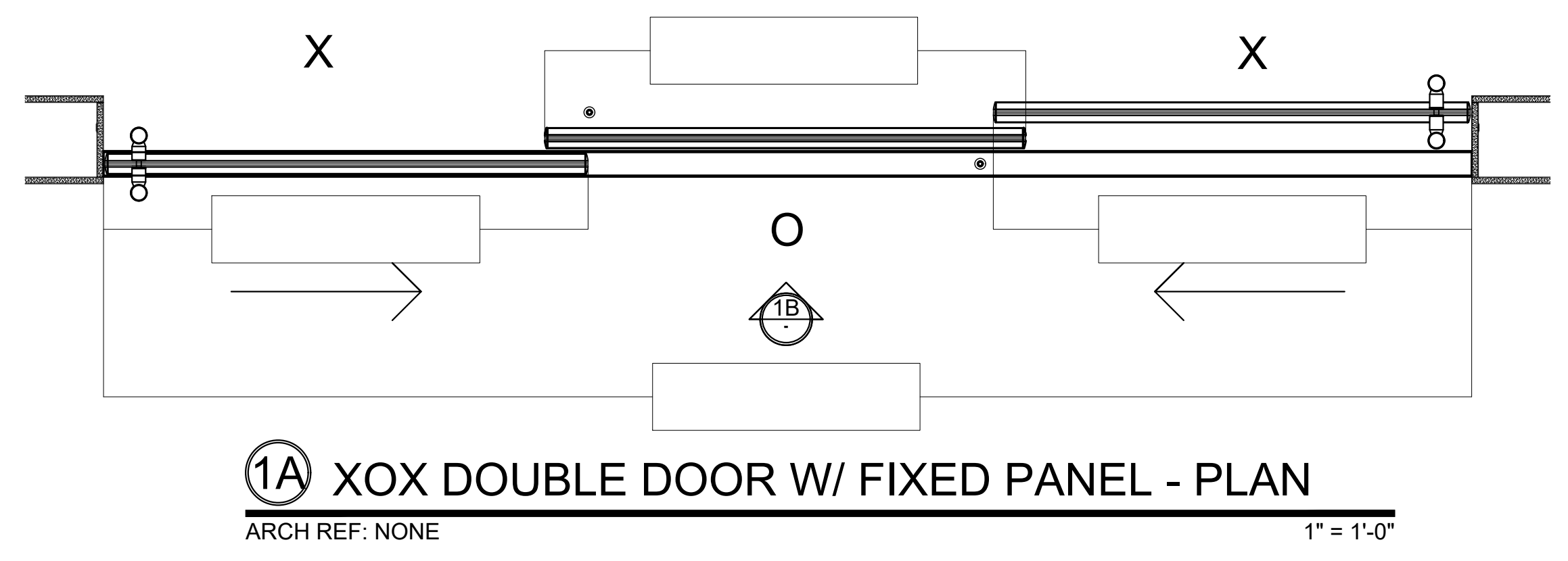


# FHC STANDARD SLIDING DOOR SYSTEMS ~ MODEL BRS200

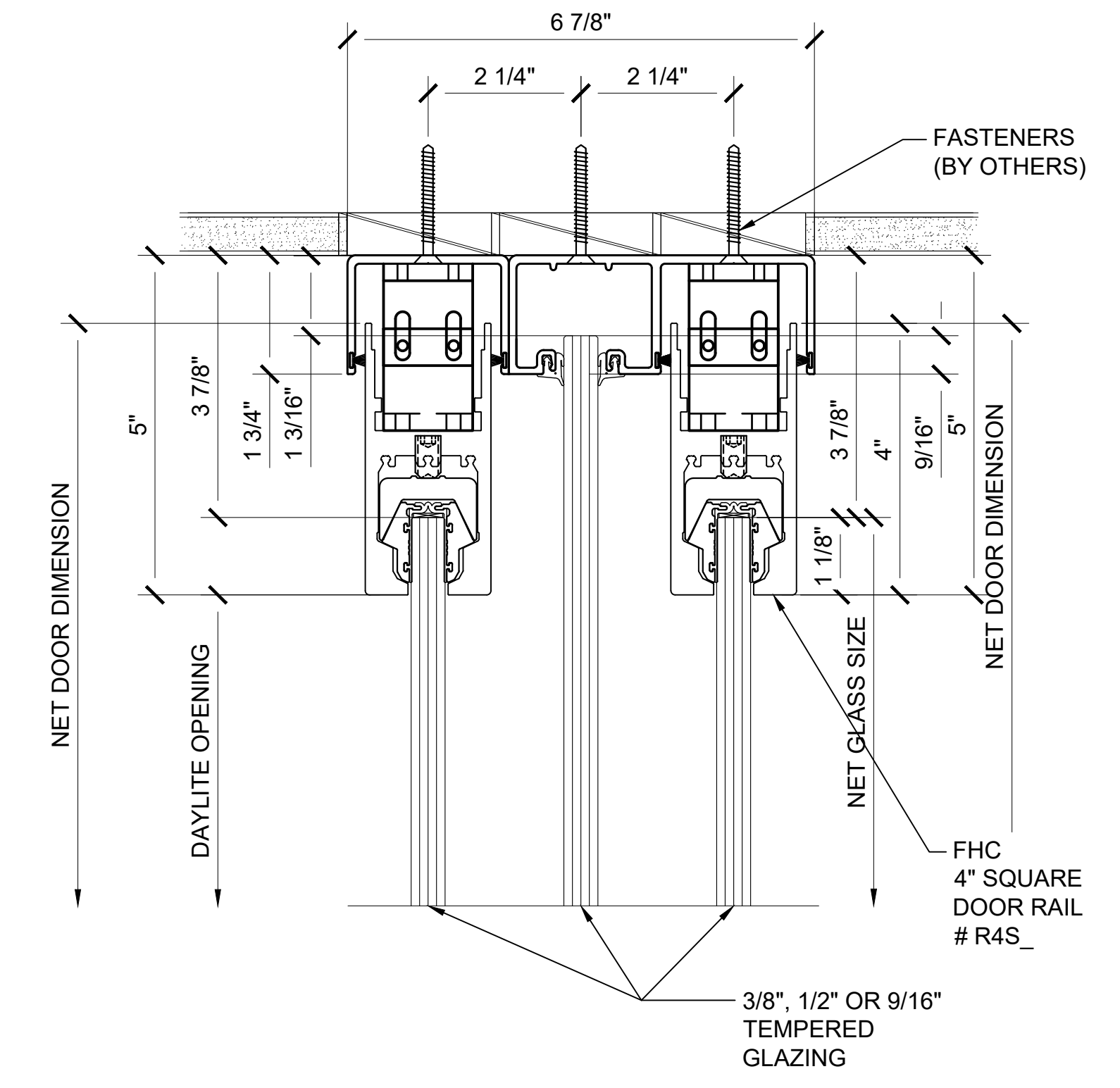


**1C** XOX - SECTION  
ARCH REF: NONE 1" = 1'-0"

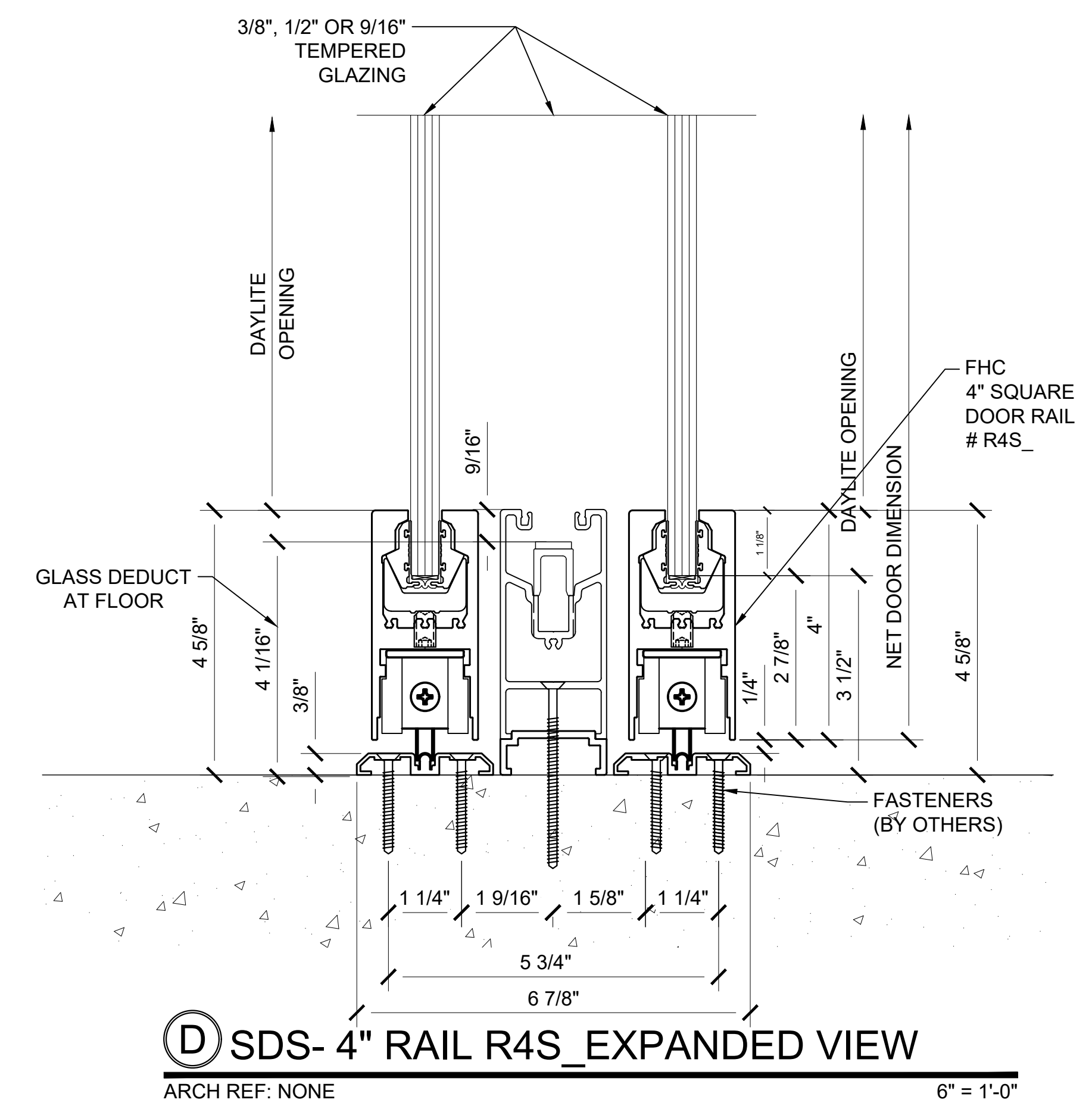
**1B** XOX - ELEVATION  
ARCH REF: NONE 1" = 1'-0"



**1A** XOX DOUBLE DOOR W/ FIXED PANEL - PLAN  
ARCH REF: NONE 1" = 1'-0"



**E** SDS - 4" RAIL R4S\_EXPANDED VIEW  
ARCH REF: NONE 6" = 1'-0"



**D** SDS- 4" RAIL R4S\_EXPANDED VIEW  
ARCH REF: NONE 6" = 1'-0"



Architect: \_\_\_\_\_ Phone: \_\_\_\_\_  
Job Name: \_\_\_\_\_ Fax: \_\_\_\_\_  
Customer: \_\_\_\_\_ Contact: \_\_\_\_\_

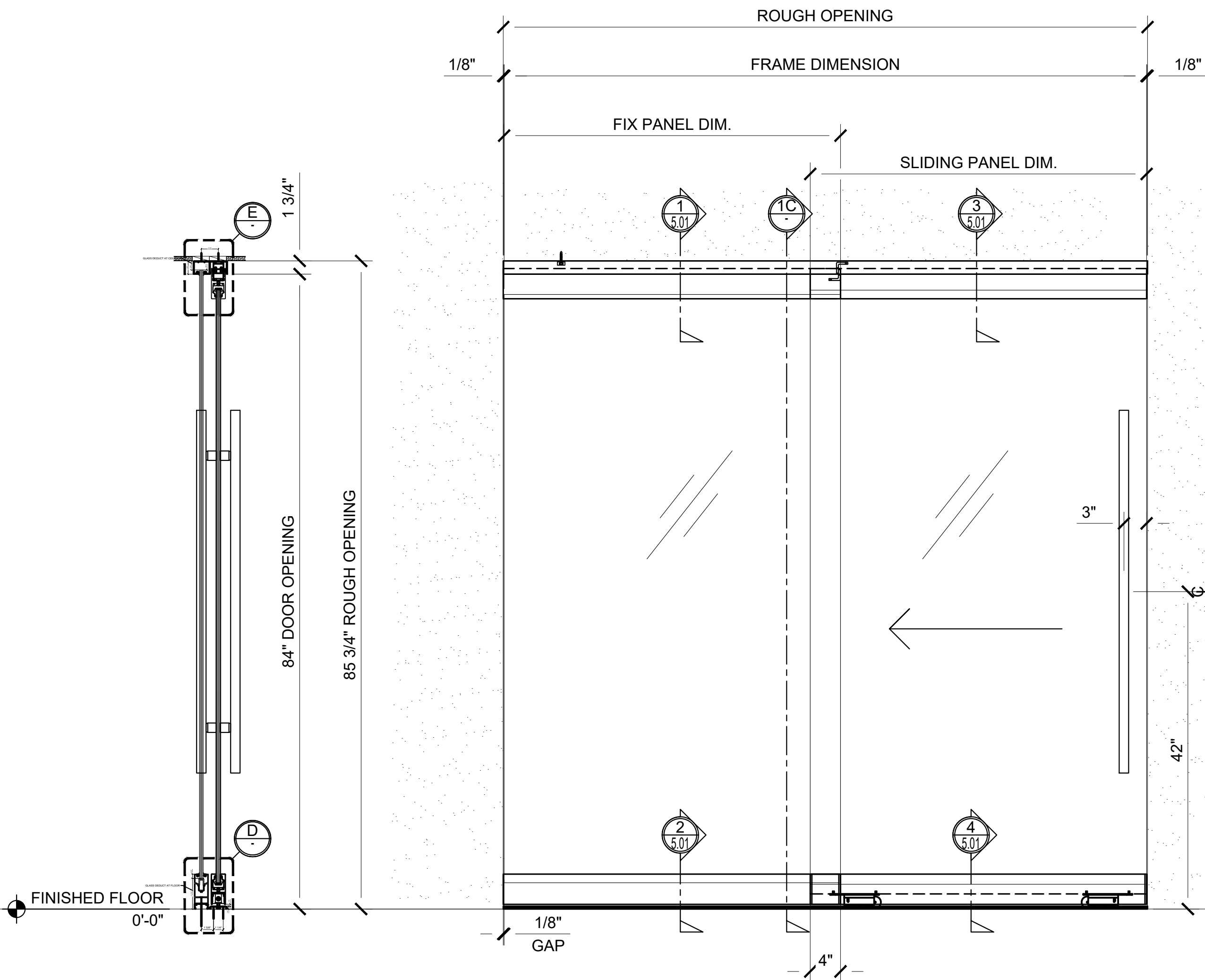
Job Name: \_\_\_\_\_ Phone: \_\_\_\_\_  
Customer: \_\_\_\_\_ Fax: \_\_\_\_\_  
Drawn By: YSL Date: 00/00/20  
Scale: AS NOTED Project #: 000000

Rev# 0 1 2 3 4 5 6  
Date 11/06/20

REV#	DATE	DRAWN BY	YSL
0	11/06/20	YSL	
1			
2			
3			
4			
5			
6			

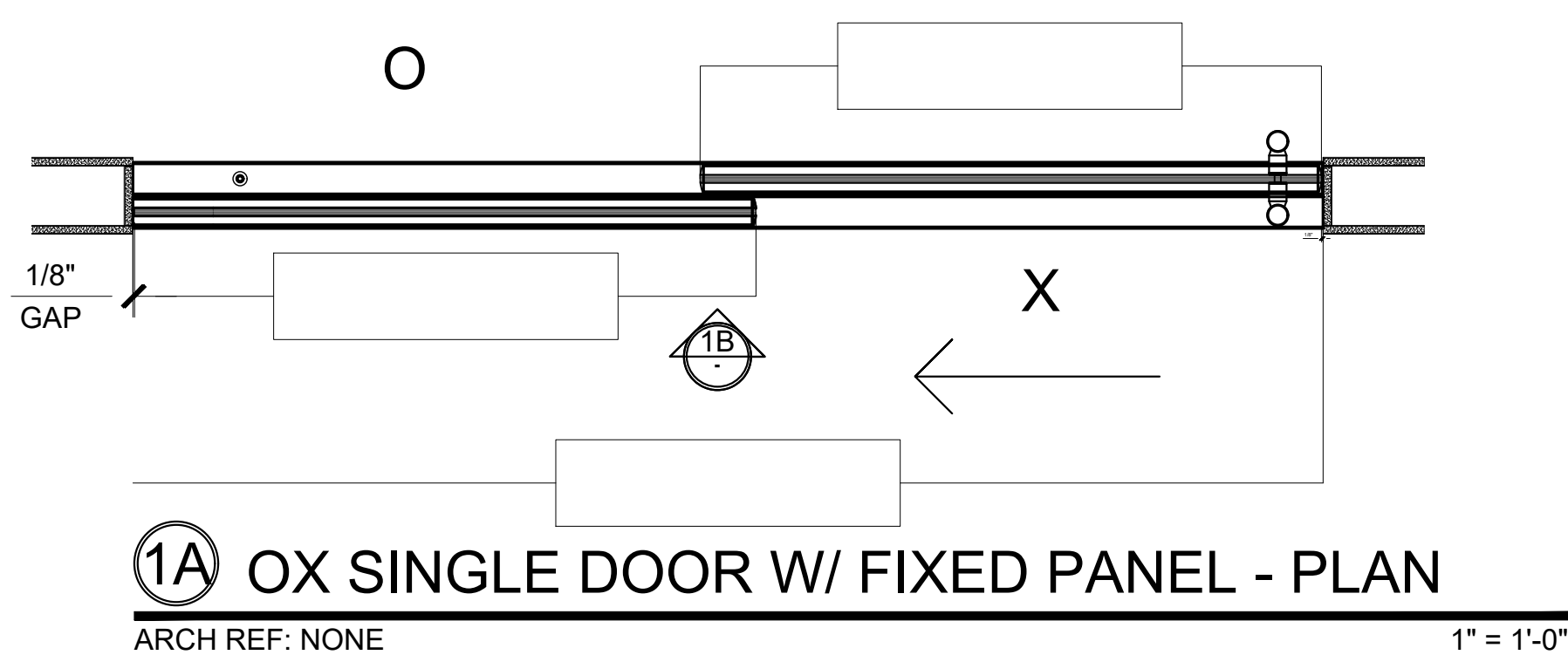
Drawn By: YSL  
Checked By: PM  
Date: 00/00/20  
Scale: AS NOTED  
Project #: 000000

# FHC STANDARD SLIDING DOOR SYSTEMS ~ MODEL BRS200

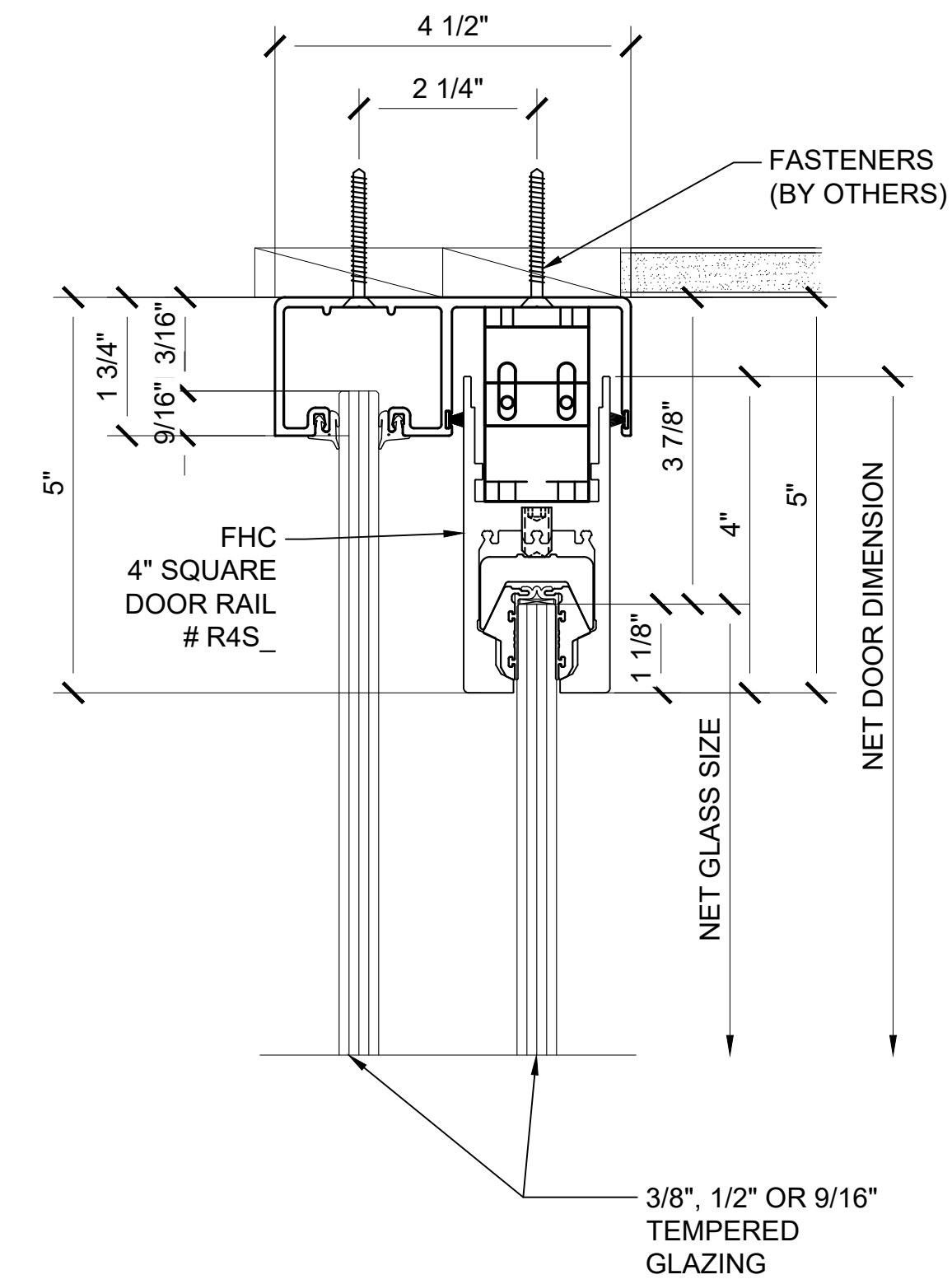


**1C** OX - SECTION  
ARCH REF: NONE 1" = 1'-0"

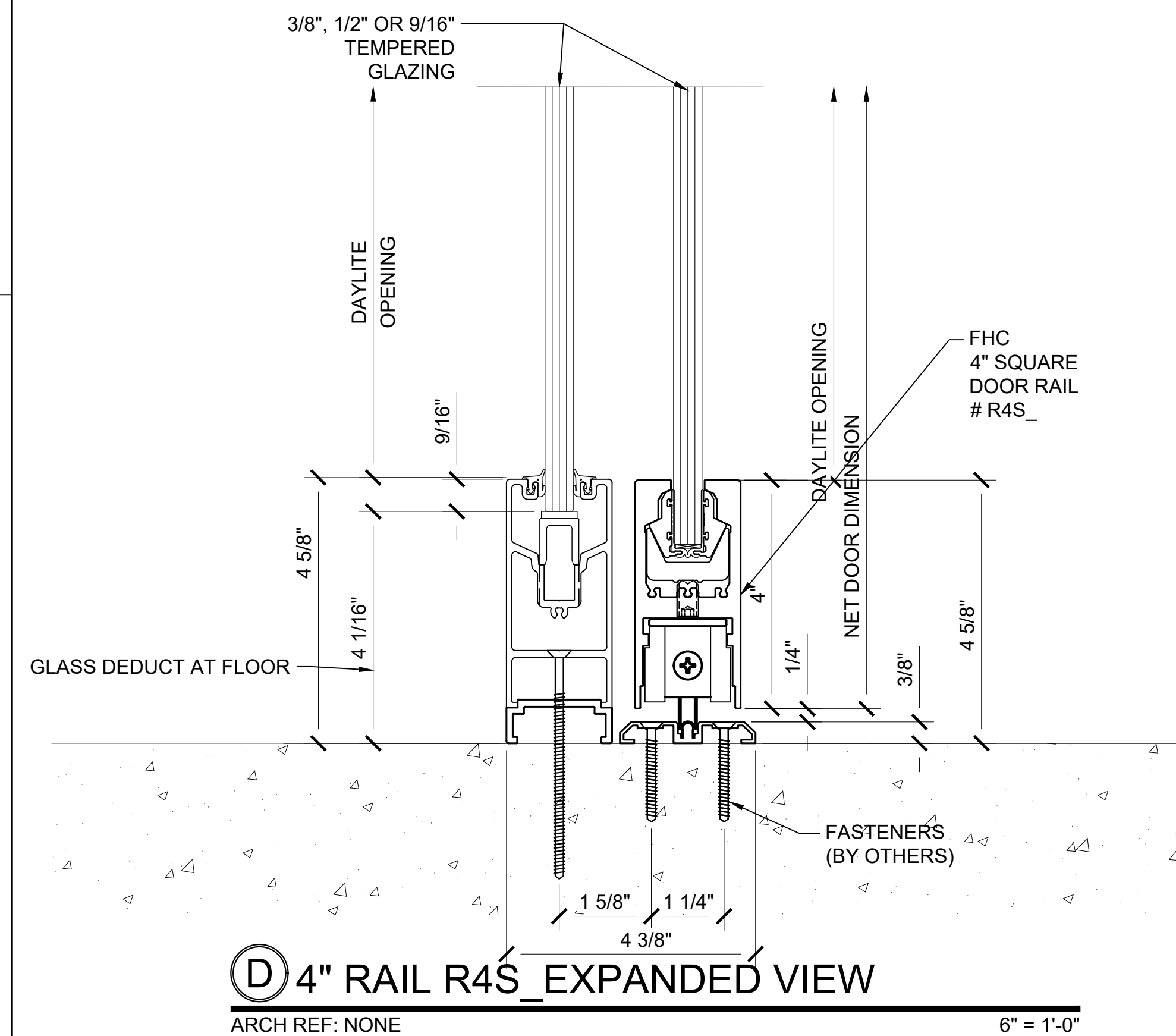
**1B** OX - ELEVATION  
ARCH REF: NONE 1" = 1'-0"



**1A** OX SINGLE DOOR W/ FIXED PANEL - PLAN  
ARCH REF: NONE 1" = 1'-0"



**E** 4" RAIL R4S\_EXPANDED VIEW  
ARCH REF: NONE 6" = 1'-0"



**D** 4" RAIL R4S\_EXPANDED VIEW  
ARCH REF: NONE 6" = 1'-0"



Architect: \_\_\_\_\_  
Phone: \_\_\_\_\_  
Fax: \_\_\_\_\_  
Contact: \_\_\_\_\_

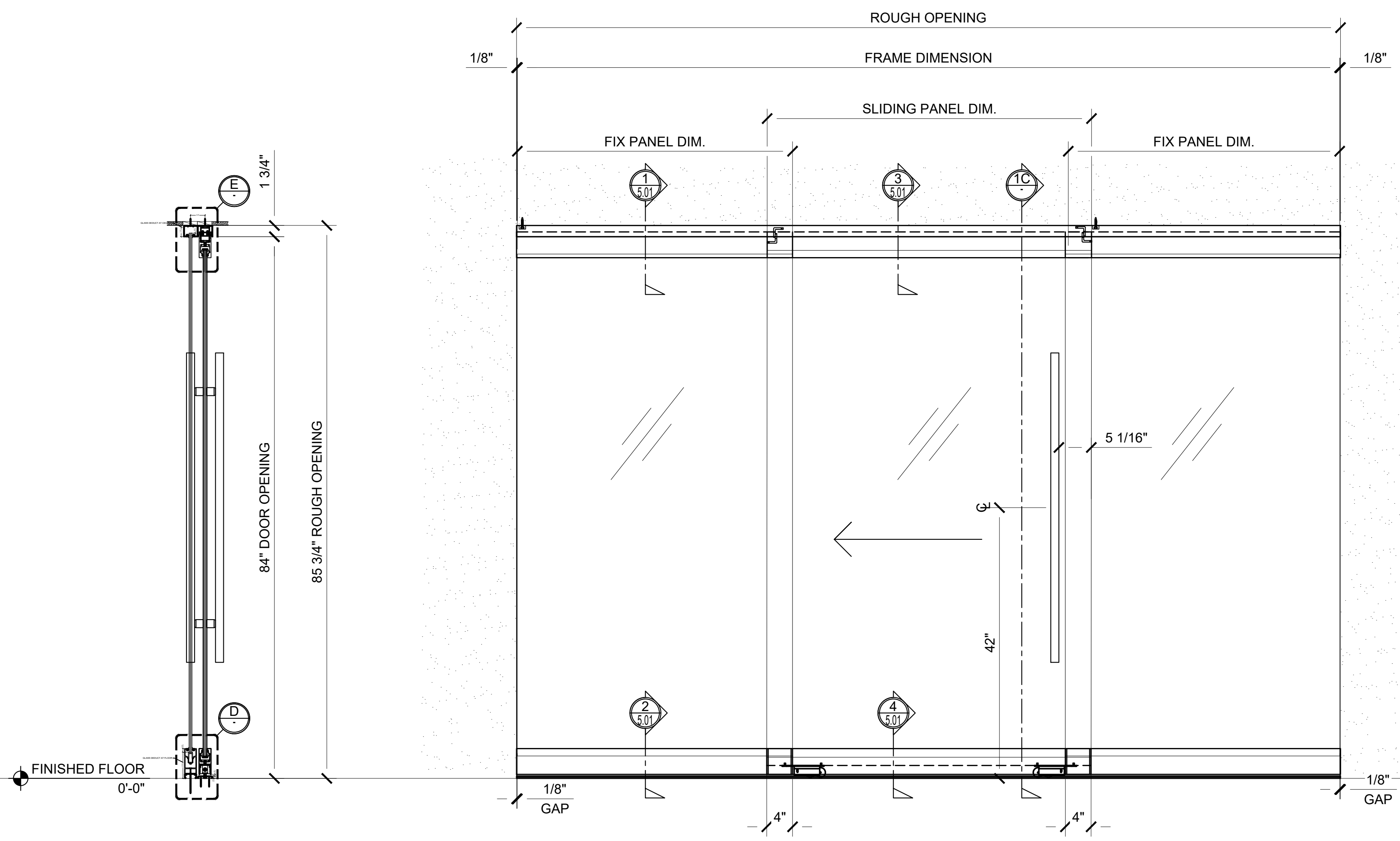
Job Name: \_\_\_\_\_  
Phone: \_\_\_\_\_  
Fax: \_\_\_\_\_  
Contact: \_\_\_\_\_

Customer: \_\_\_\_\_  
Phone: \_\_\_\_\_  
Fax: \_\_\_\_\_  
Contact: \_\_\_\_\_

REV#	DATE	DRAWN BY
0	11/06/20	YSL
1		
2		
3		
4		
5		
6		

Drawn By: YSL  
Checked By: PM  
Date: 00/00/20  
Scale: AS NOTED  
Project #: 000000

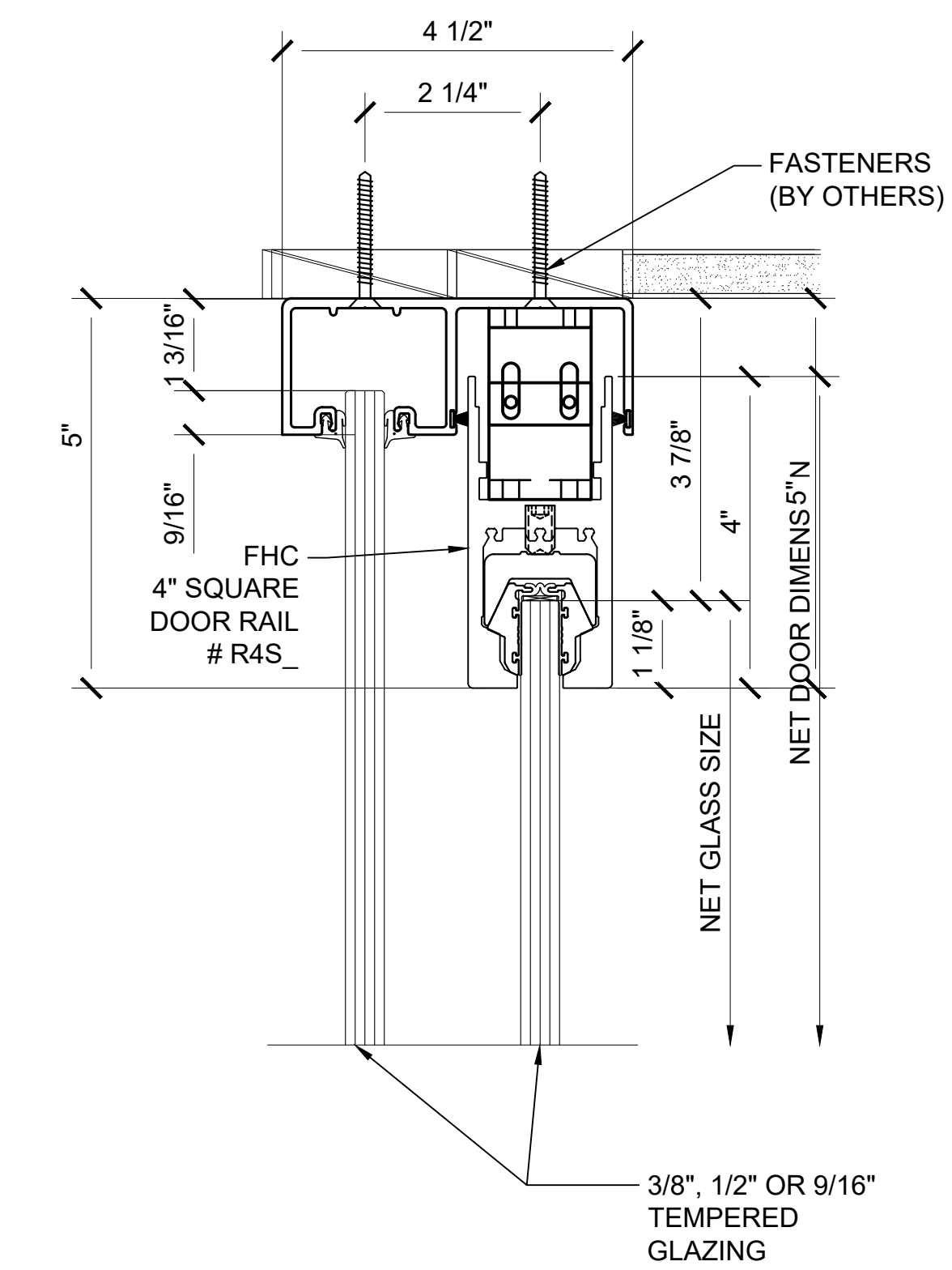
# FHC STANDARD SLIDING DOOR SYSTEMS ~ MODEL BRS200



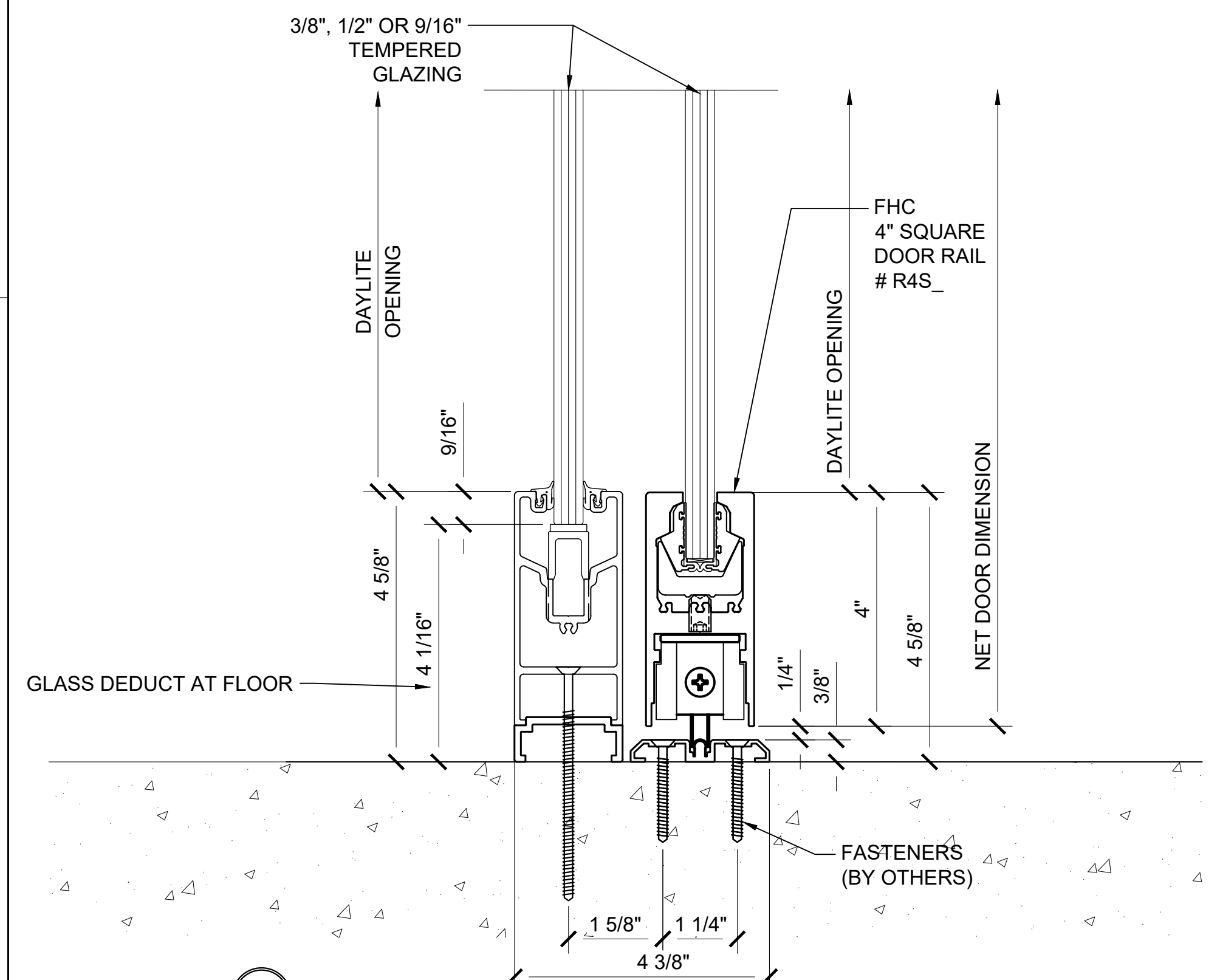
**1C** OXO - SECTION  
ARCH REF: NONE 1" = 1'-0"

**1B** OXO - ELEVATION  
ARCH REF: NONE 1" = 1'-0"

**1A** OXO SINGLE DOOR W/ 2 FIXED PANELS - PLAN  
ARCH REF: NONE 1" = 1'-0"



**E** 4" RAIL R4S\_EXPANDED VIEW  
ARCH REF: NONE 6" = 1'-0"



**D** 4" RAIL R4S\_EXPANDED VIEW  
ARCH REF: NONE 6" = 1'-0"



Architect: \_\_\_\_\_  
Phone: \_\_\_\_\_  
Fax: \_\_\_\_\_  
Contact: \_\_\_\_\_

Job Name: \_\_\_\_\_  
Phone: \_\_\_\_\_  
Fax: \_\_\_\_\_  
Contact: \_\_\_\_\_

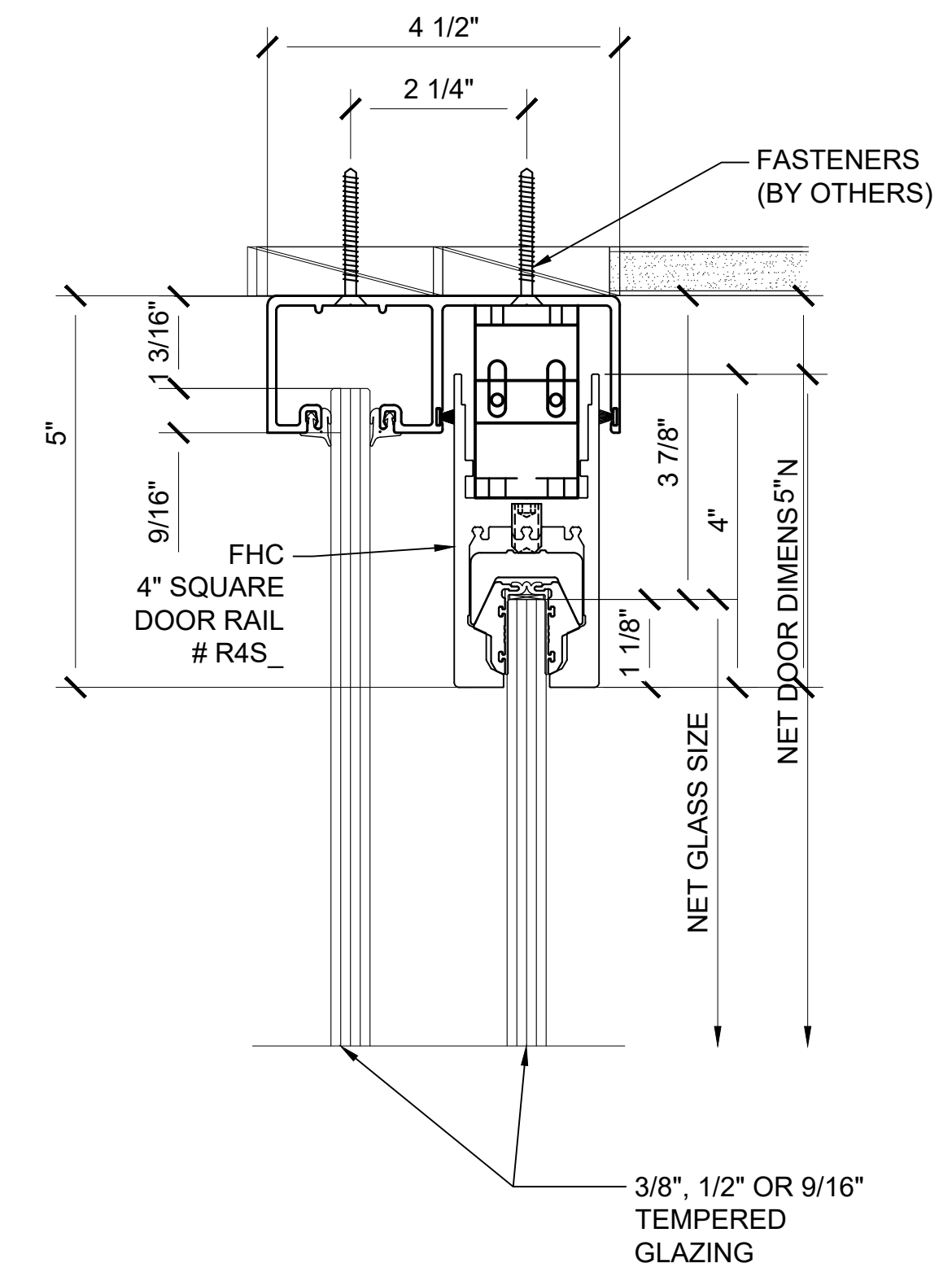
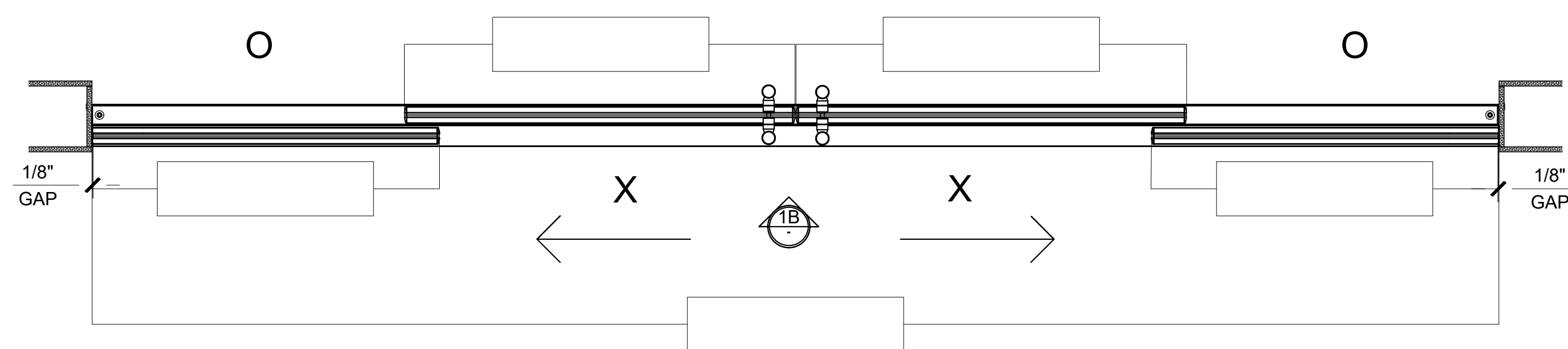
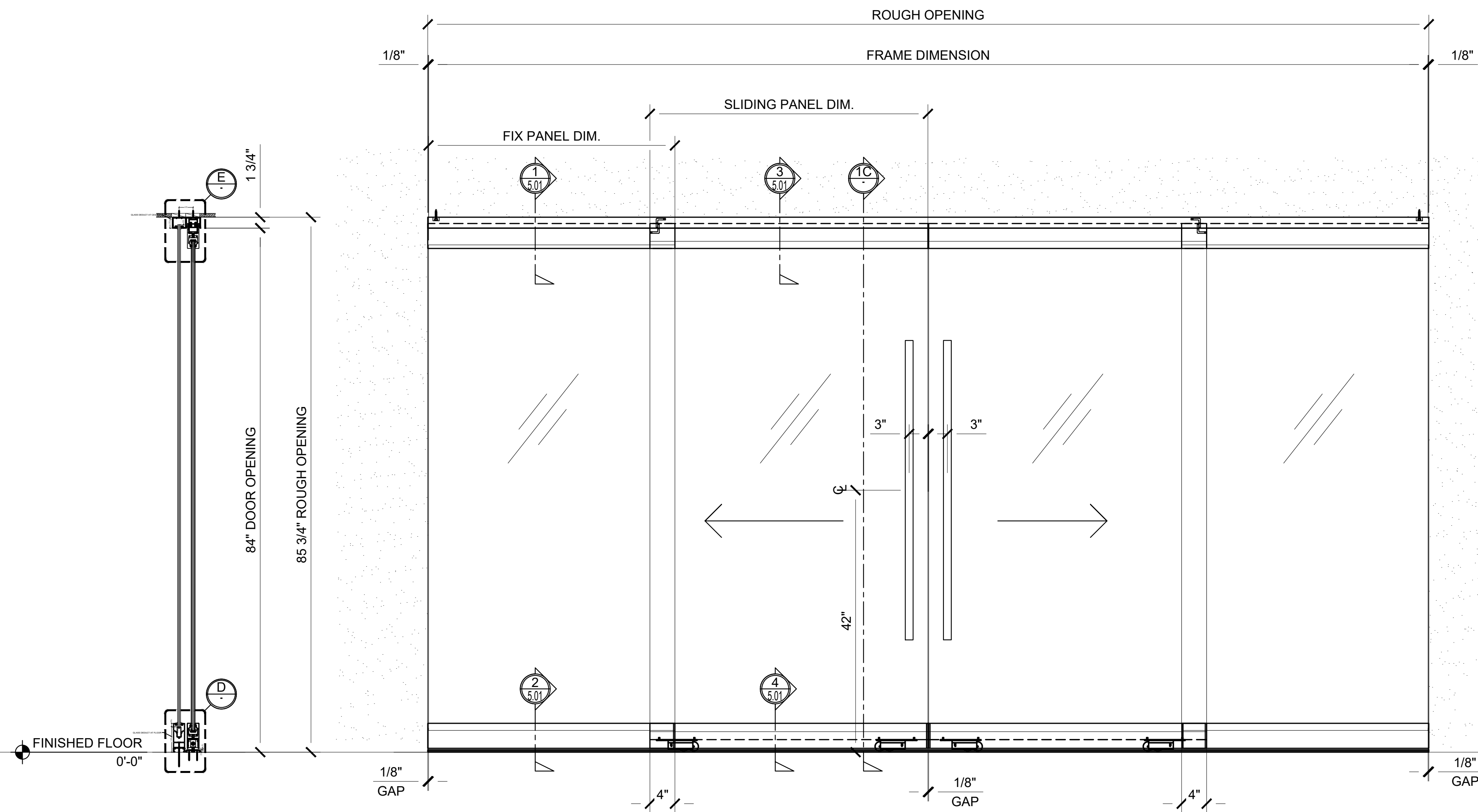
Customer: \_\_\_\_\_  
Phone: \_\_\_\_\_  
Fax: \_\_\_\_\_  
Contact: \_\_\_\_\_

REV#	DATE	DRAWN BY
0	11/06/20	YSL
1		
2		
3		
4		
5		
6		

Drawn By: YSL  
Checked By: PM  
Date: 00/00/20  
Scale: AS NOTED  
Project #: 000000



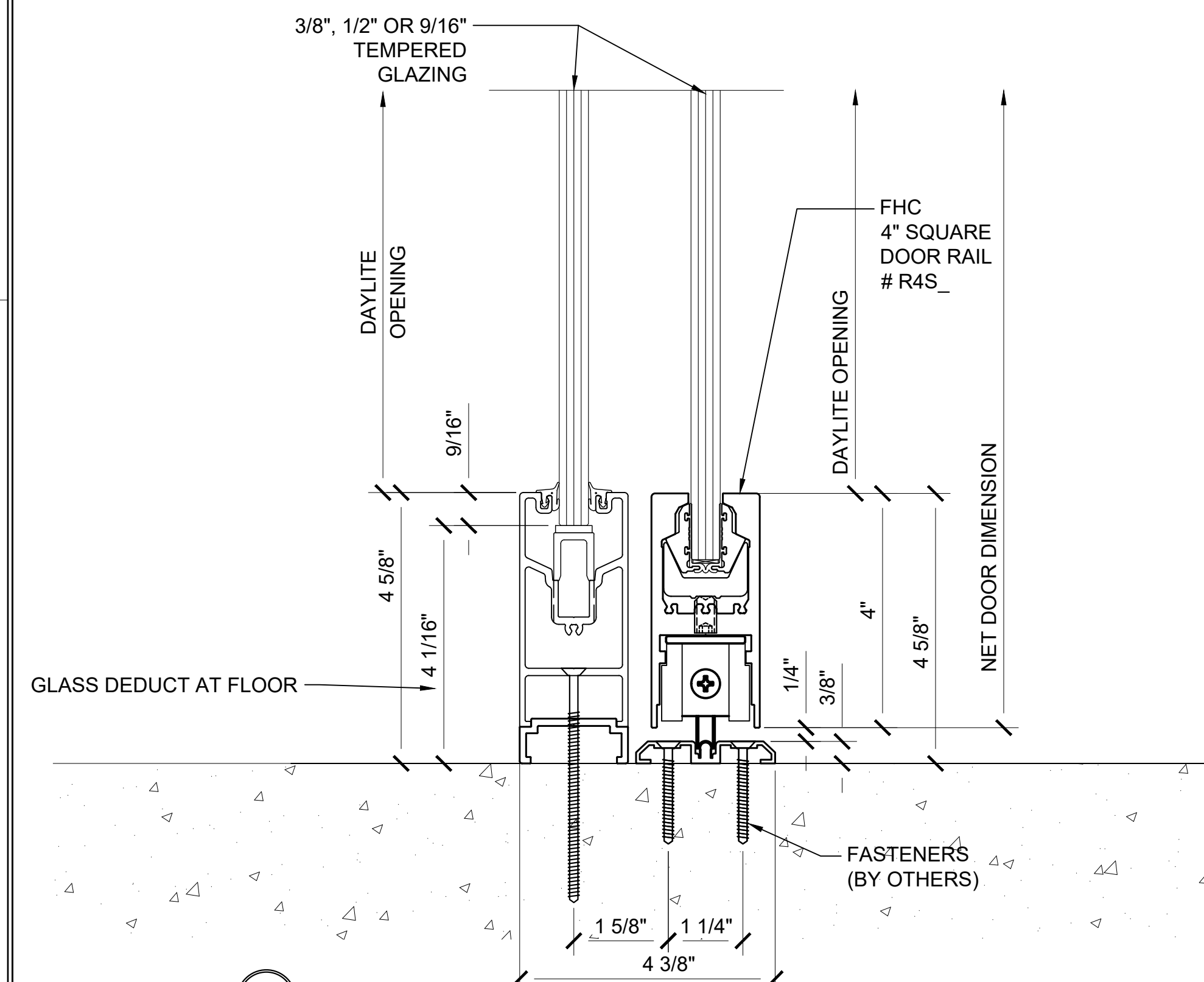
# FHC STANDARD SLIDING DOOR SYSTEMS ~ MODEL BRS200



**E 4" RAIL R4S\_EXPANDED VIEW**

ARCH REF: NONE

6" = 1'-0"



**D 4" RAIL R4S\_EXPANDED VIEW**

ARCH REF: NONE

6" = 1'-0"



Architect: \_\_\_\_\_  
 Phone: \_\_\_\_\_  
 Fax: \_\_\_\_\_  
 Contact: \_\_\_\_\_

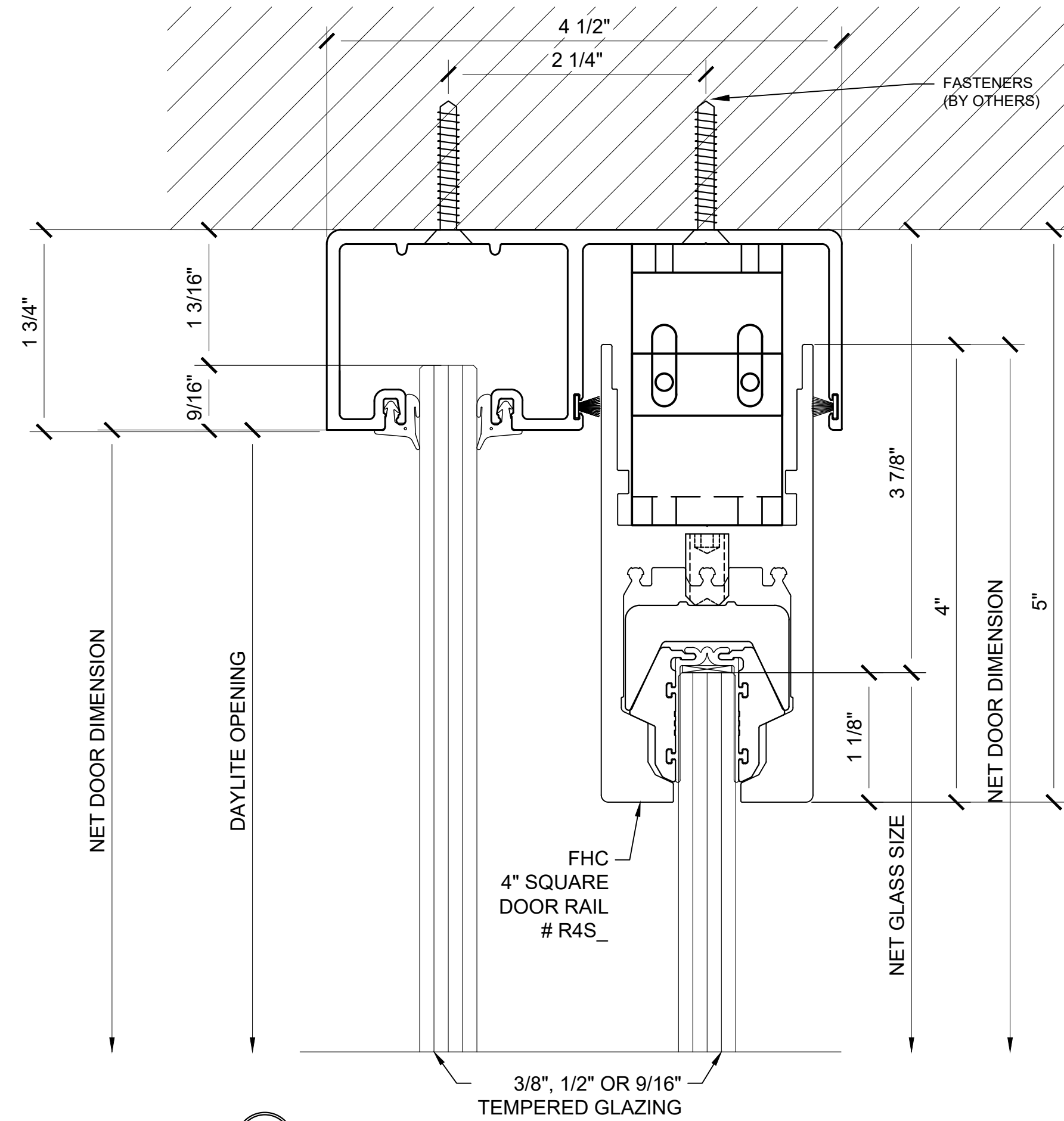
Job Name: \_\_\_\_\_  
 Phone: \_\_\_\_\_  
 Fax: \_\_\_\_\_  
 Contact: \_\_\_\_\_

Customer: \_\_\_\_\_  
 Phone: \_\_\_\_\_  
 Fax: \_\_\_\_\_  
 Contact: \_\_\_\_\_

REV#	DATE	DRAWN BY
0	11/06/20	YSL
1		
2		
3		
4		
5		
6		

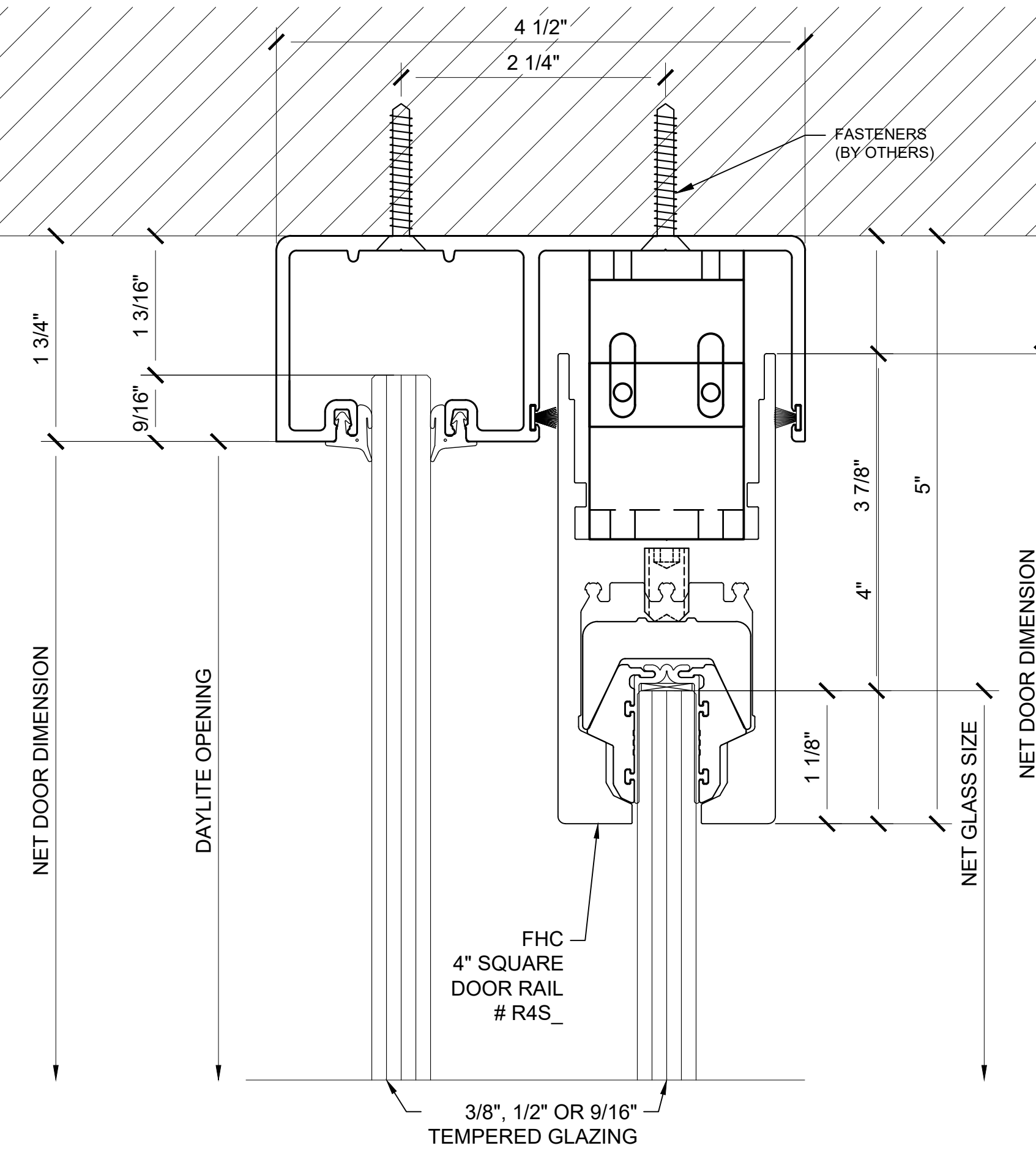
Drawn By: YSL  
 Checked By: PM  
 Date: 00/00/20  
 Scale: AS NOTED  
 Project #: 000000

Sheet No.



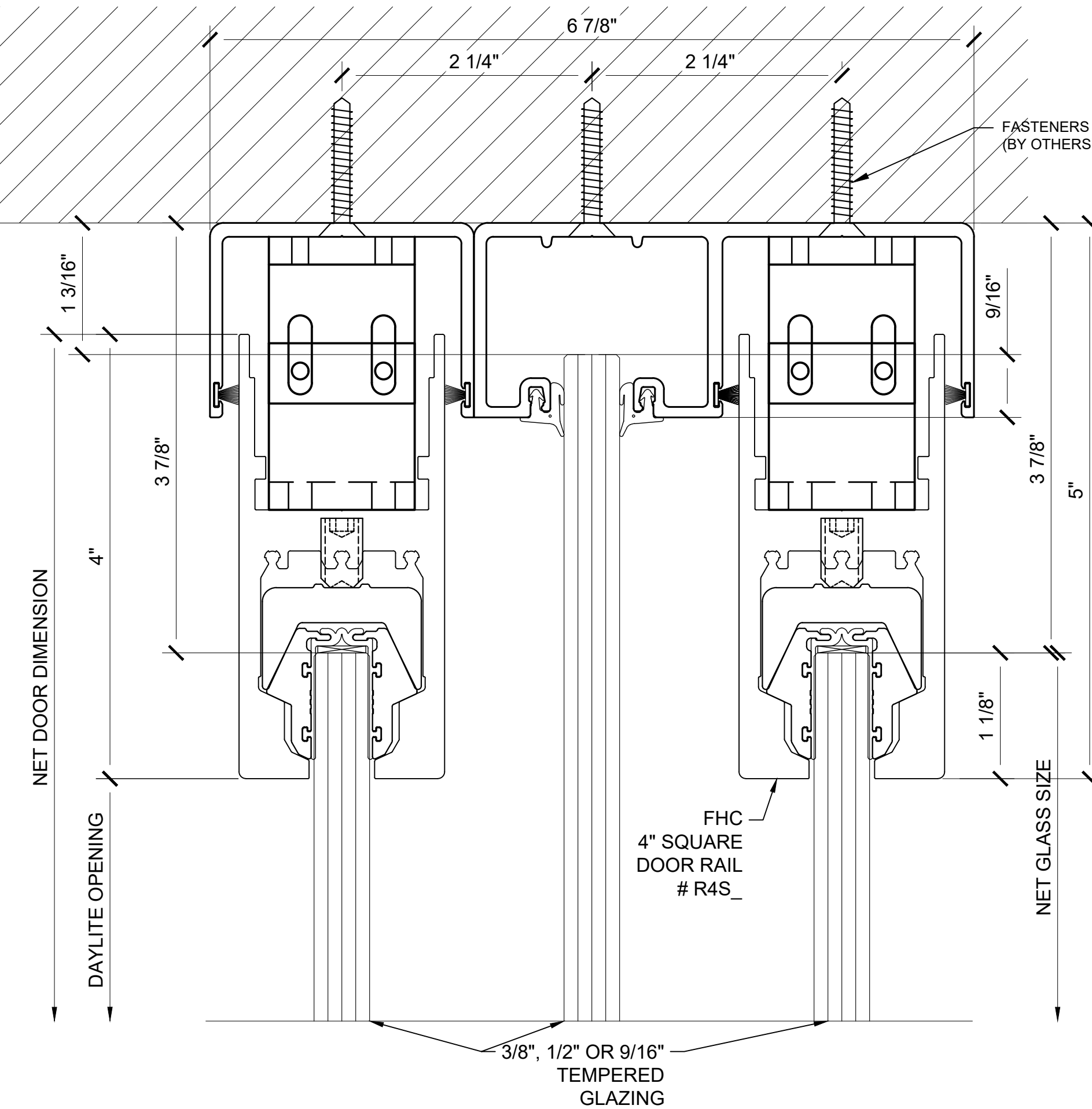
① SECTION DETAIL @ HEAD

ARCH REF: NONE 1'-0"=1'-0"



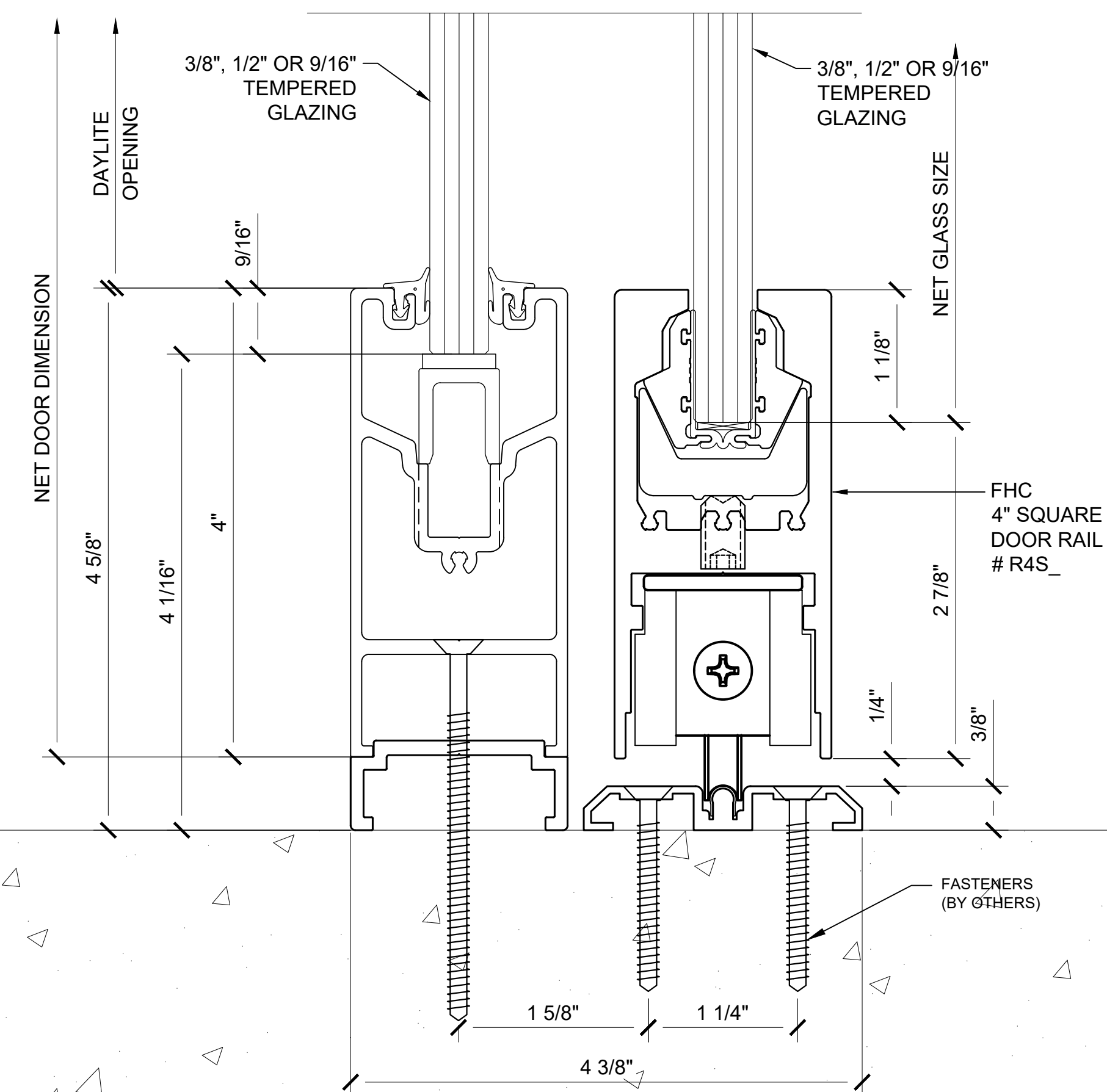
③ SECTION DETAIL @ HEAD

ARCH REF: NONE 1'-0"=1'-0"



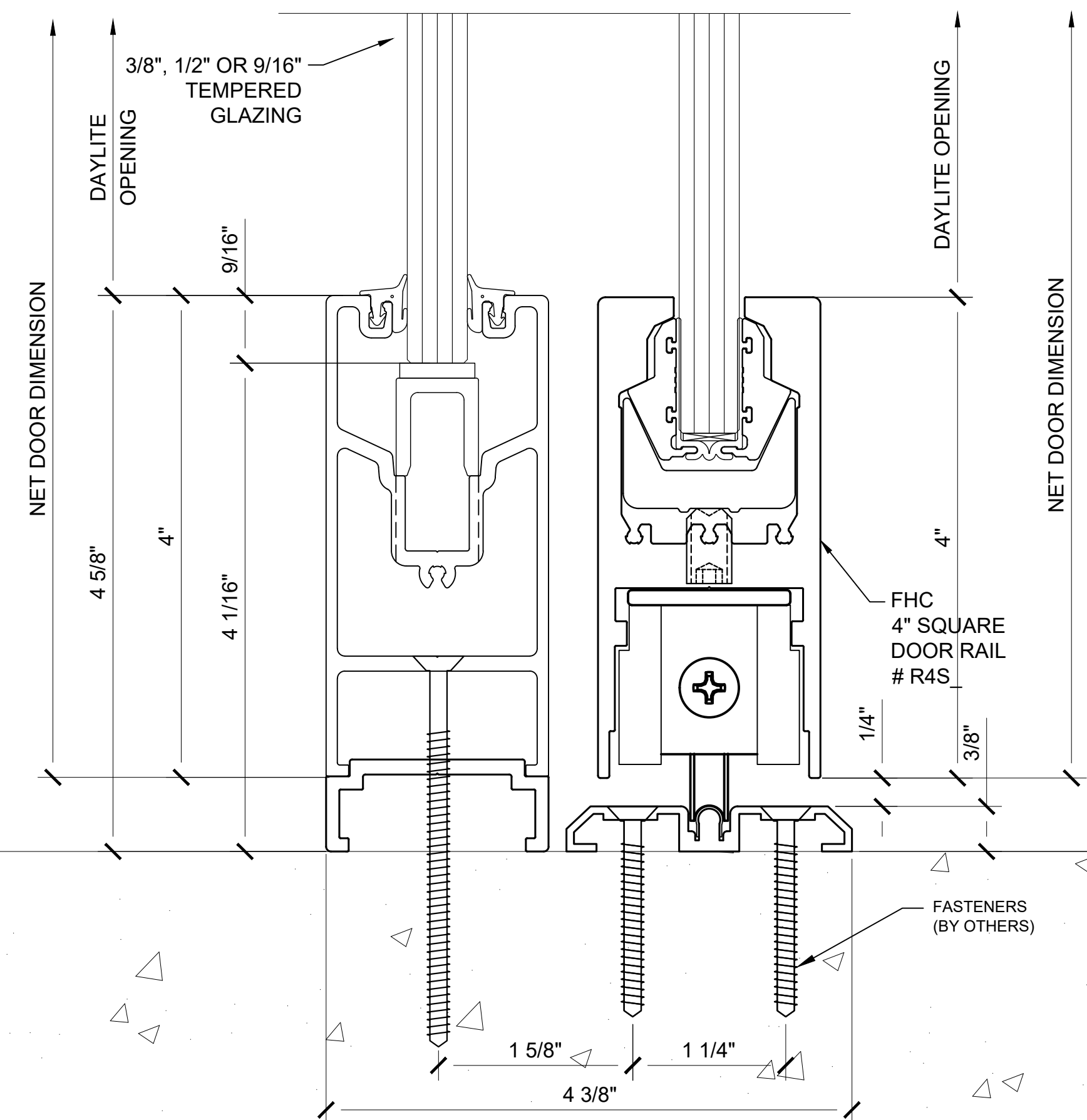
⑤ SECTION DETAIL @ HEAD

ARCH REF: NONE 1'-0"=1'-0"



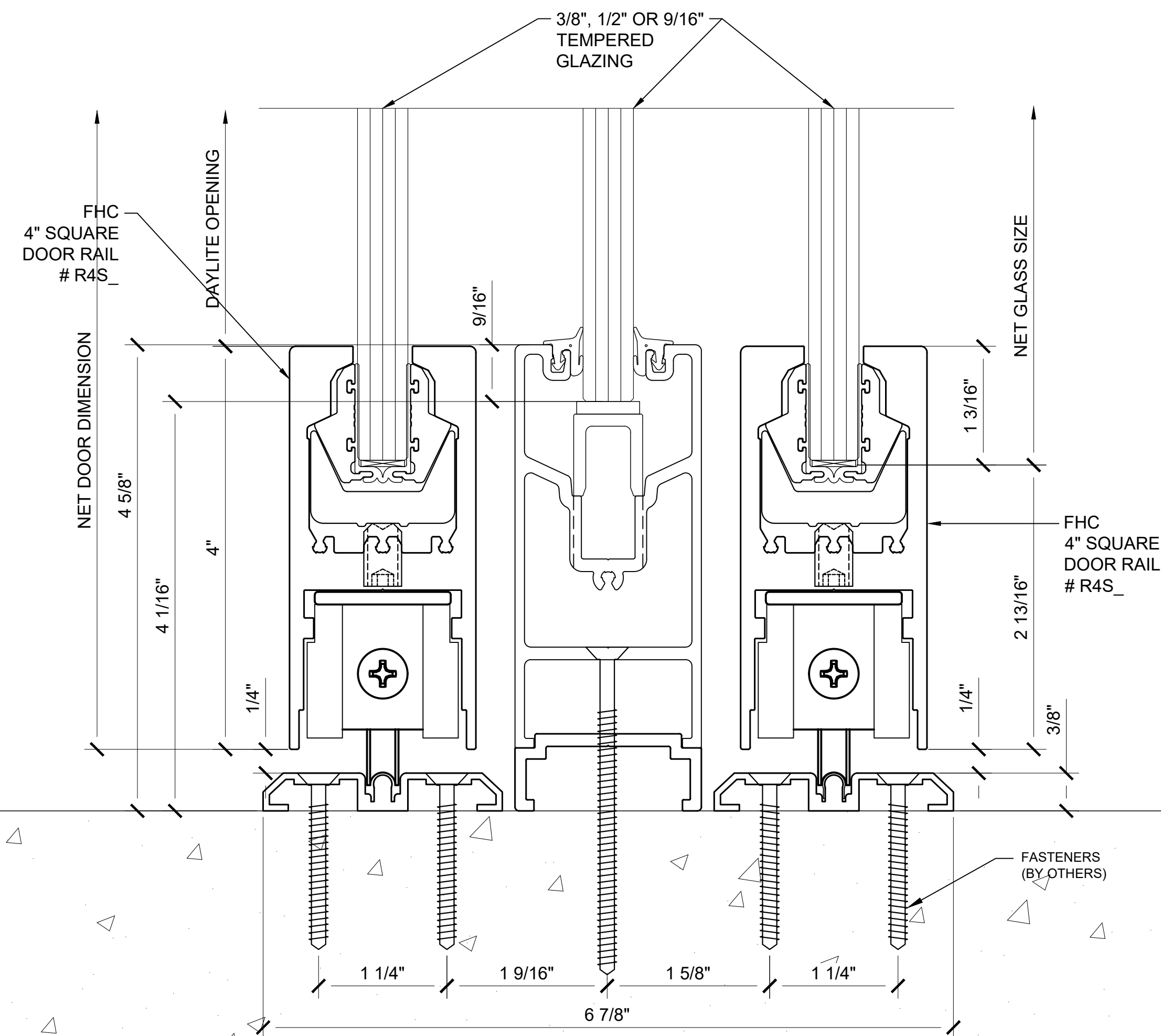
② SECTION DETAIL @ BOTTOM RAIL

ARCH REF: NONE 1'-0"=1'-0"



④ SECTION DETAIL @ BOTTOM RAIL

ARCH REF: NONE 1'-0"=1'-0"



⑥ SECTION DETAIL @ BOTTOM RAIL

ARCH REF: NONE 1'-0"=1'-0"

Architect: \_\_\_\_\_  
Phone: \_\_\_\_\_  
Fax: \_\_\_\_\_  
Contact: \_\_\_\_\_

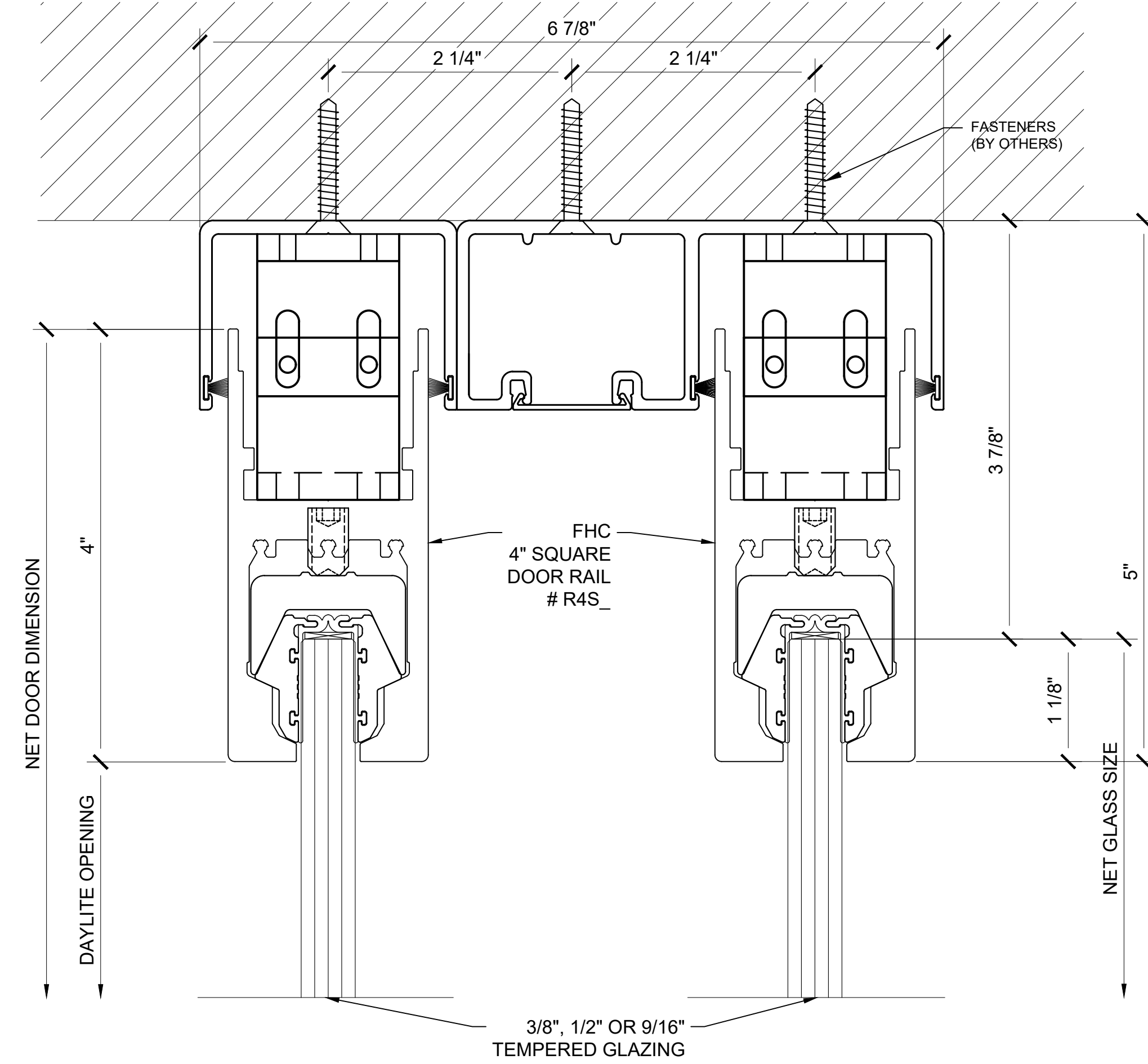
Job Name: \_\_\_\_\_  
Phone: \_\_\_\_\_  
Fax: \_\_\_\_\_  
Contact: \_\_\_\_\_

Customer: \_\_\_\_\_  
Phone: \_\_\_\_\_  
Fax: \_\_\_\_\_  
Contact: \_\_\_\_\_

REV#	DATE	DRAWN BY
0	11/06/20	YSL
1		
2		
3		
4		
5		
6		

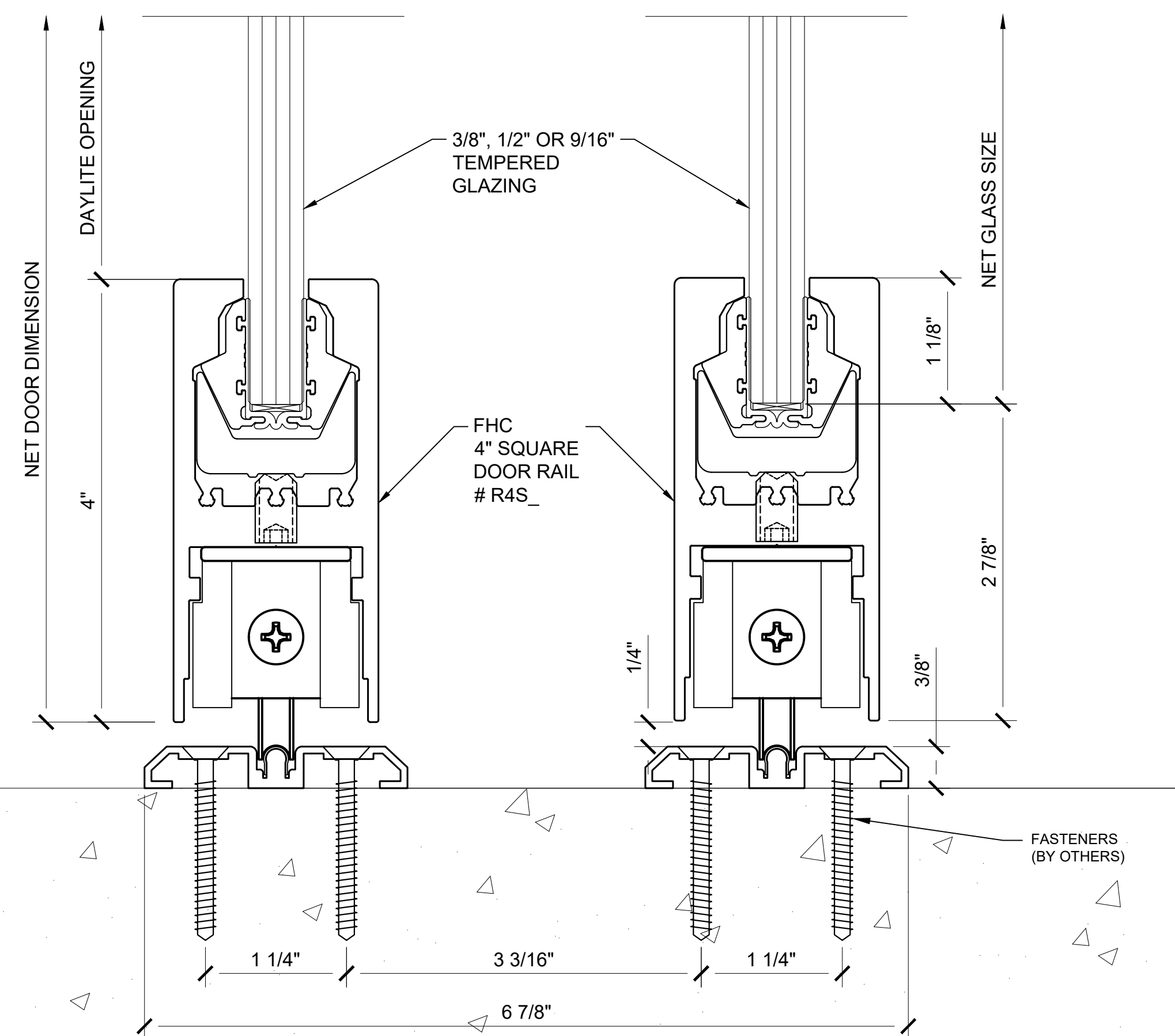
Drawn By: YSL  
Checked By: PM  
Date: 00/00/20  
Scale: AS NOTED  
Project #: 000000

Sheet No.



**① HEAD DETAIL**

ARCH REF: 1'-0"=1'-0"



**② SECTION DETAIL @ BOTTOM RAIL**

ARCH REF: NONE 1'-0"=1'-0"

Architect: \_\_\_\_\_  
 Phone: \_\_\_\_\_  
 Fax: \_\_\_\_\_  
 Contact: \_\_\_\_\_

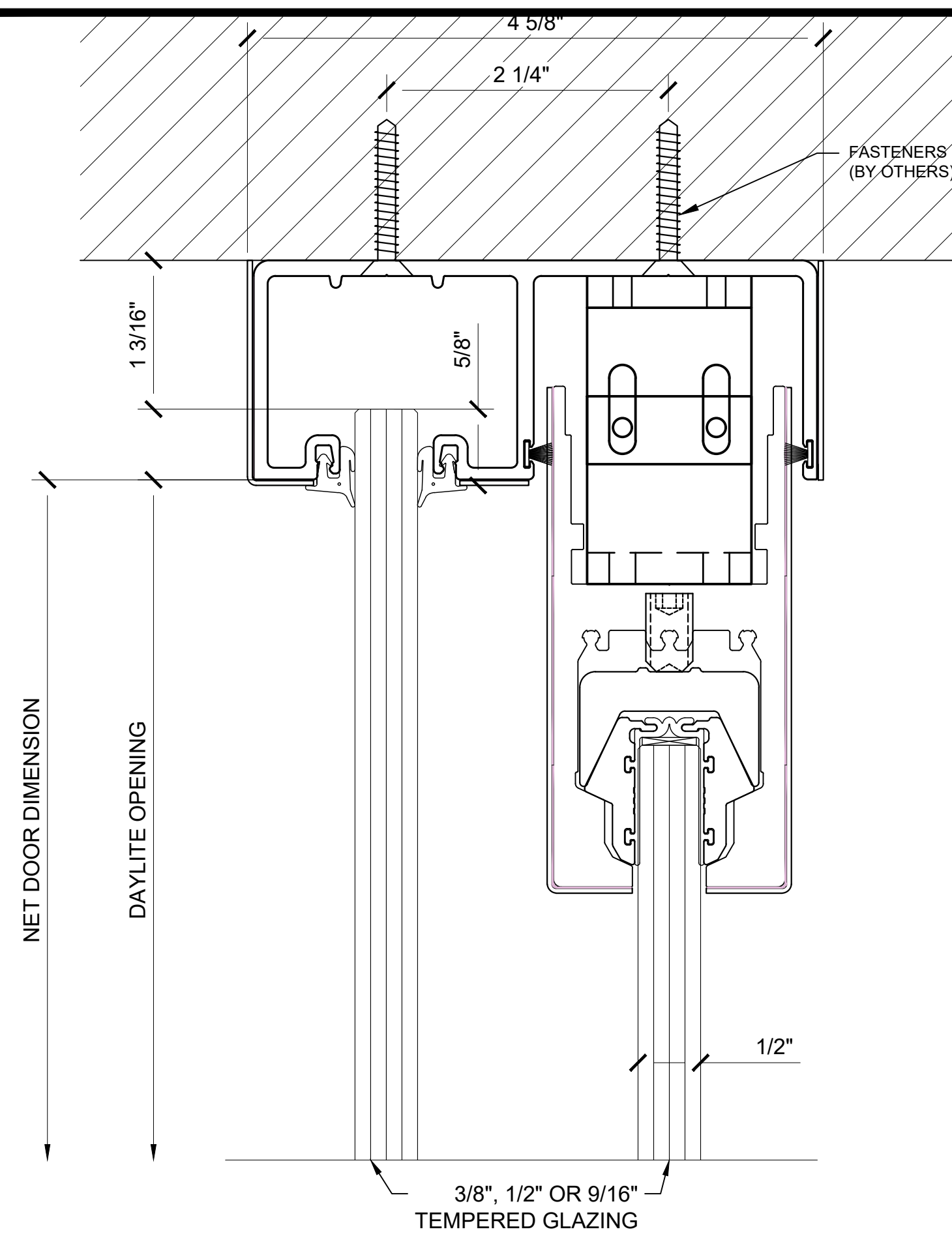
Job Name: \_\_\_\_\_  
 Phone: \_\_\_\_\_  
 Fax: \_\_\_\_\_  
 Contact: \_\_\_\_\_

Customer: \_\_\_\_\_  
 Phone: \_\_\_\_\_  
 Fax: \_\_\_\_\_  
 Contact: \_\_\_\_\_

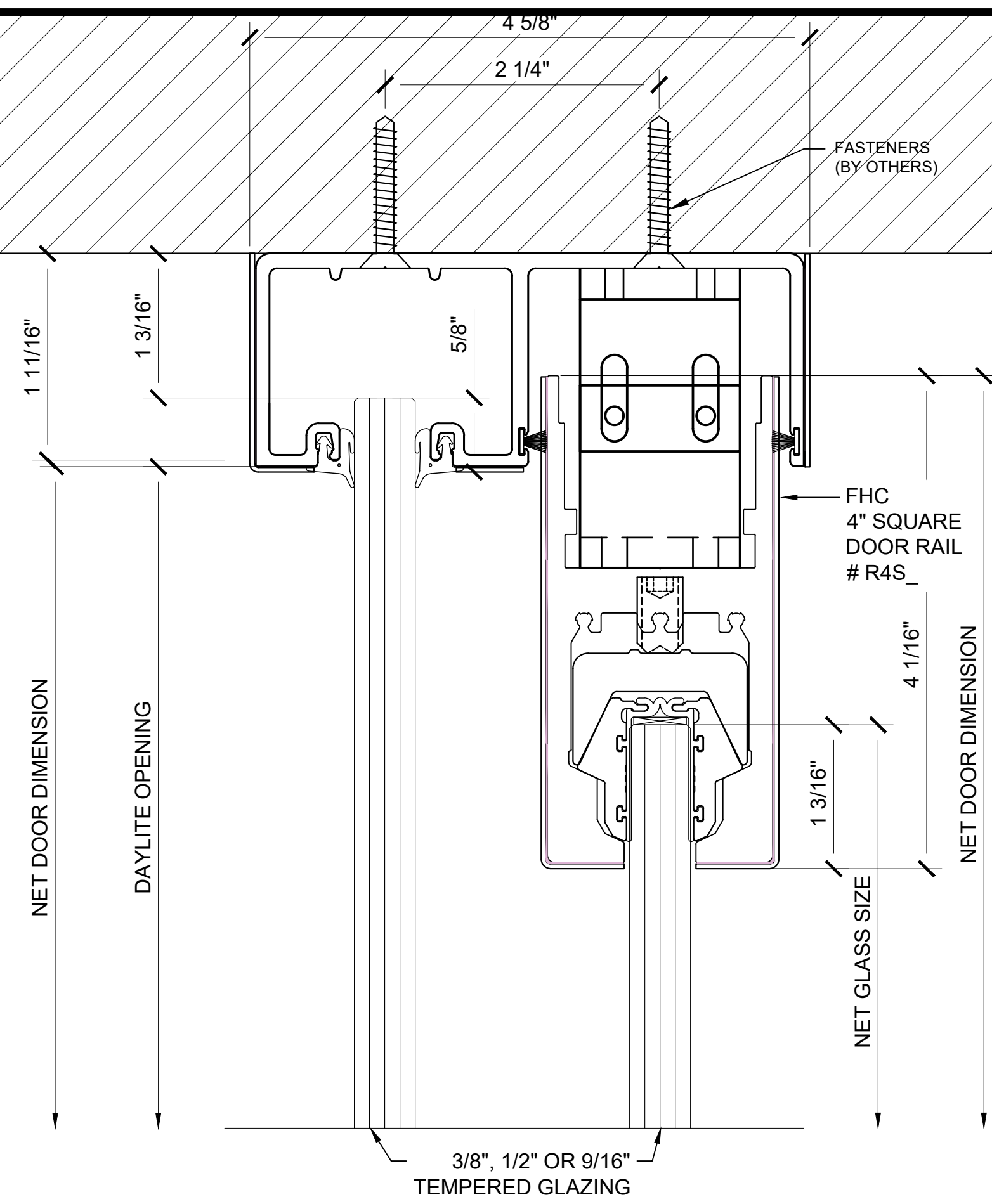
REV#	DATE	DRAWN BY
0	11/06/20	YSL
1		
2		
3		
4		
5		
6		

Drawn By: YSL  
 Checked By: PM  
 Date: 00/00/20  
 Scale: AS NOTED  
 Project #: 000000

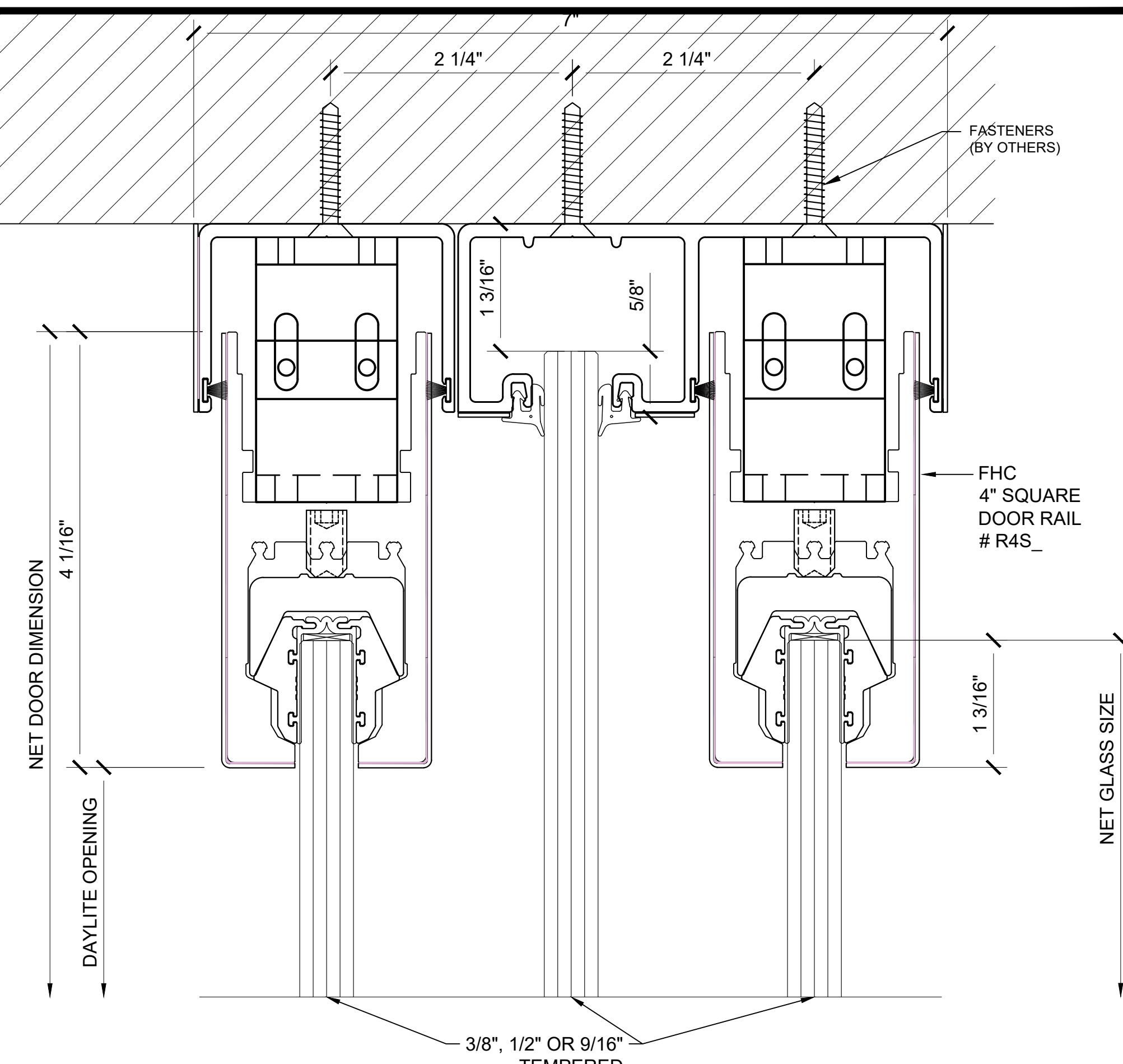




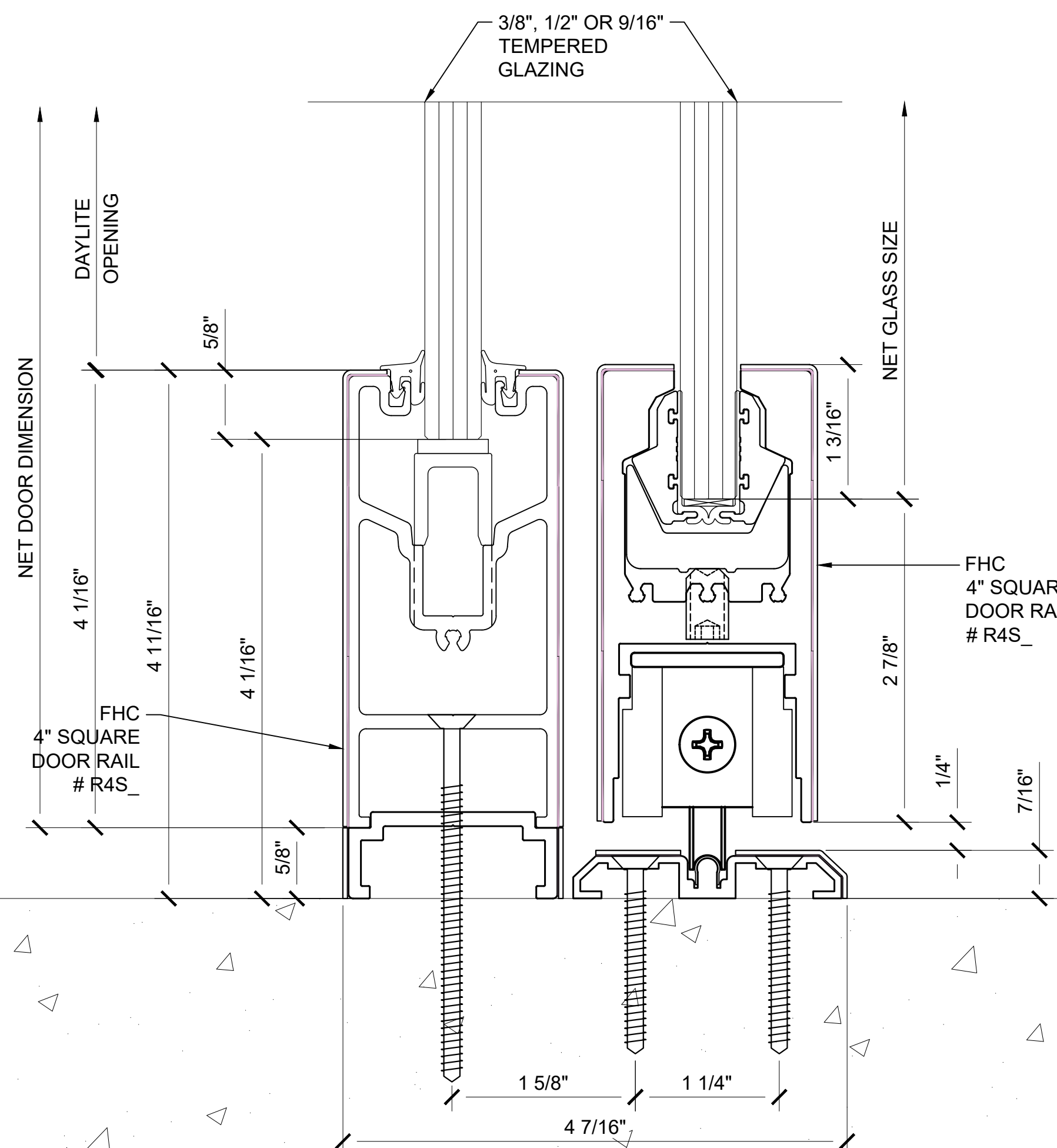
**1 SECTION DETAIL @ HEAD-CLAD**  
 ARCH REF: NONE 1'-0"=1'-0"



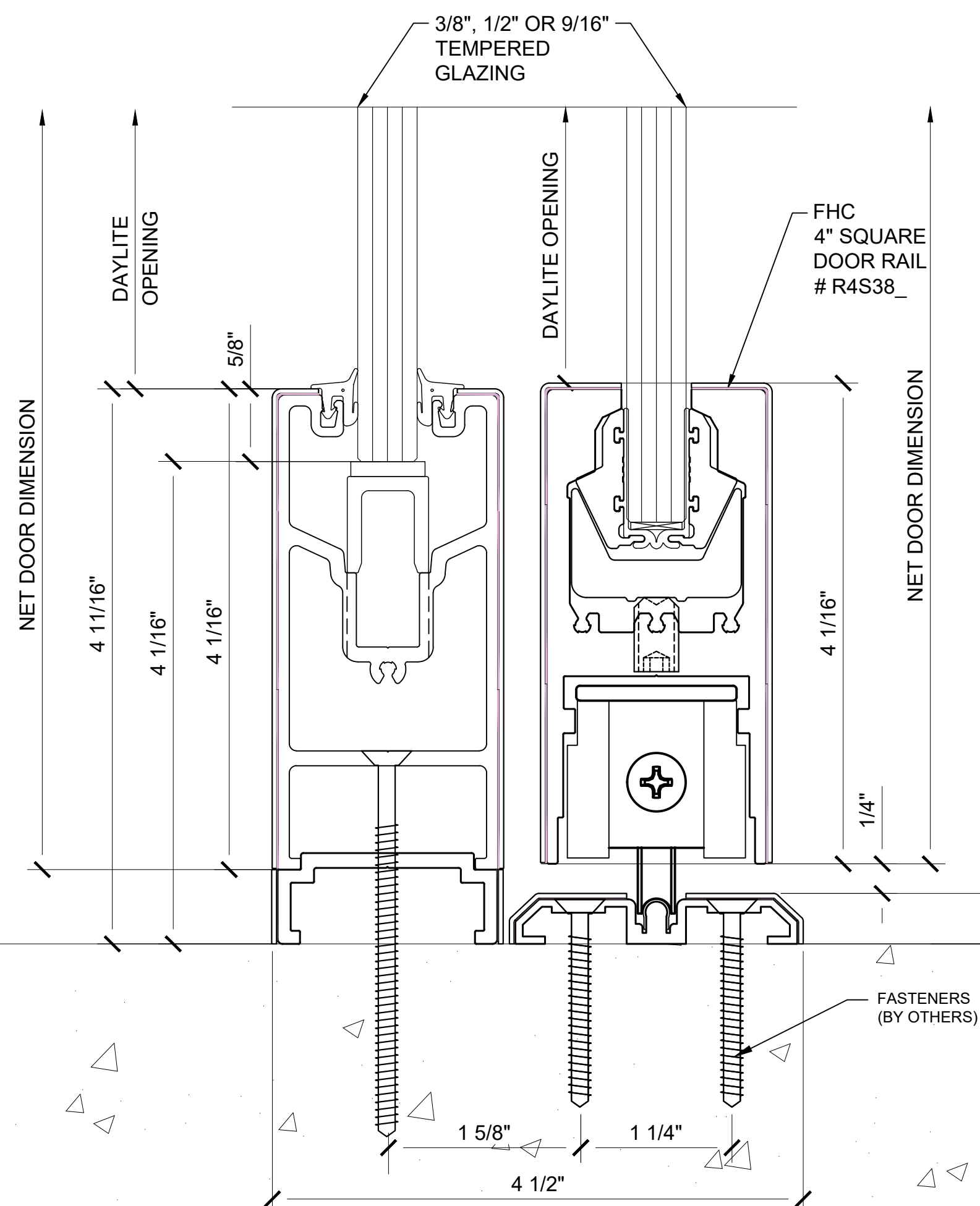
**3 SECTION DETAIL @ HEAD-CLAD**  
 ARCH REF: NONE 1'-0"=1'-0"



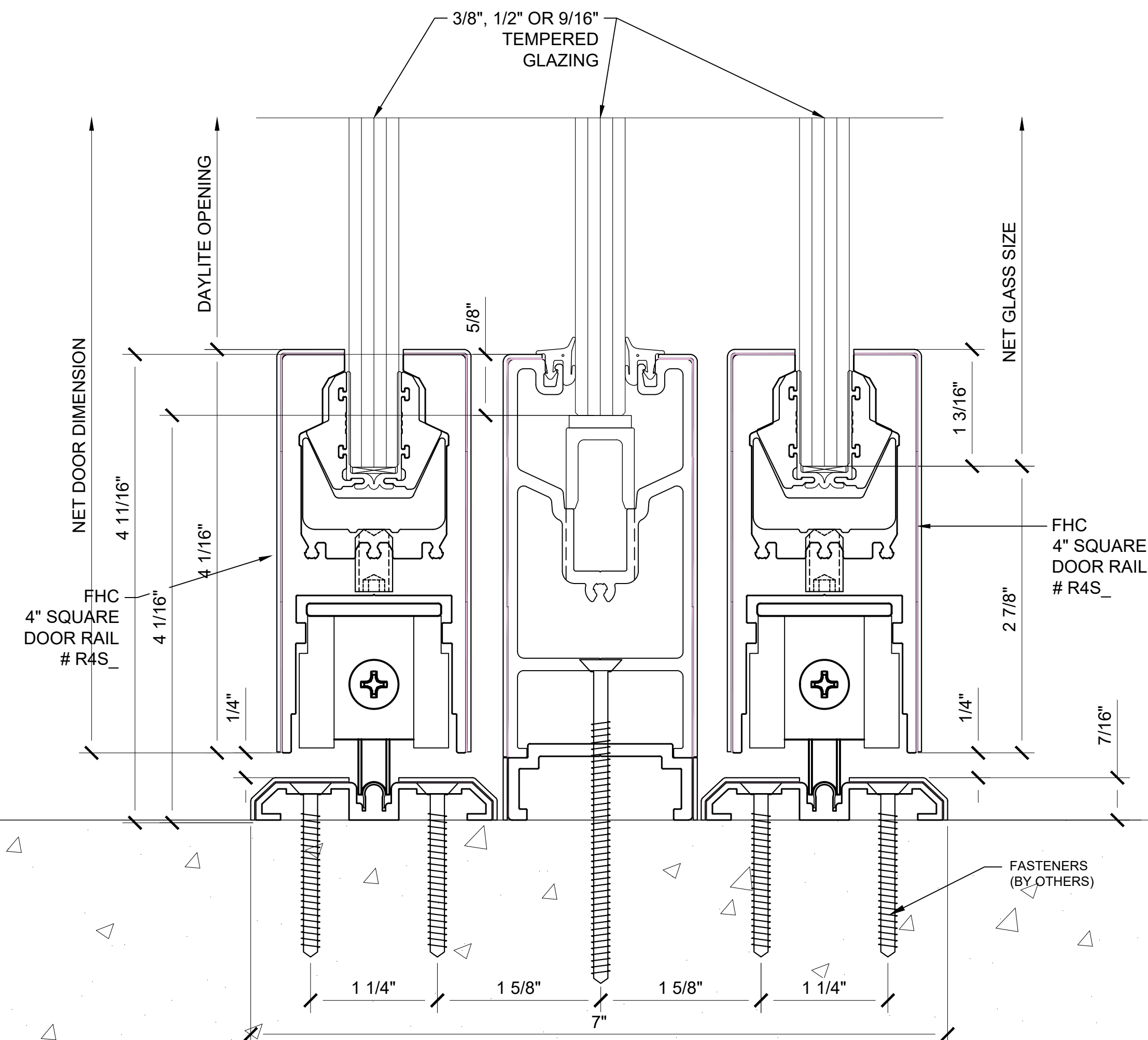
**5 SECTION DETAIL @ HEAD-CLAD**  
 ARCH REF: NONE 1'-0"=1'-0"



**2 SECTION DETAIL @ BOTTOM RAIL-CLAD**  
 ARCH REF: NONE 1'-0"=1'-0"



**4 SECTION DETAIL @ BOTTOM RAIL-CLAD**  
 ARCH REF: NONE 1'-0"=1'-0"



**6 SECTION DETAIL @ BOTTOM RAIL-CLAD**  
 ARCH REF: NONE 1'-0"=1'-0"

Architect: \_\_\_\_\_  
 Phone: \_\_\_\_\_  
 Fax: \_\_\_\_\_  
 Contact: \_\_\_\_\_

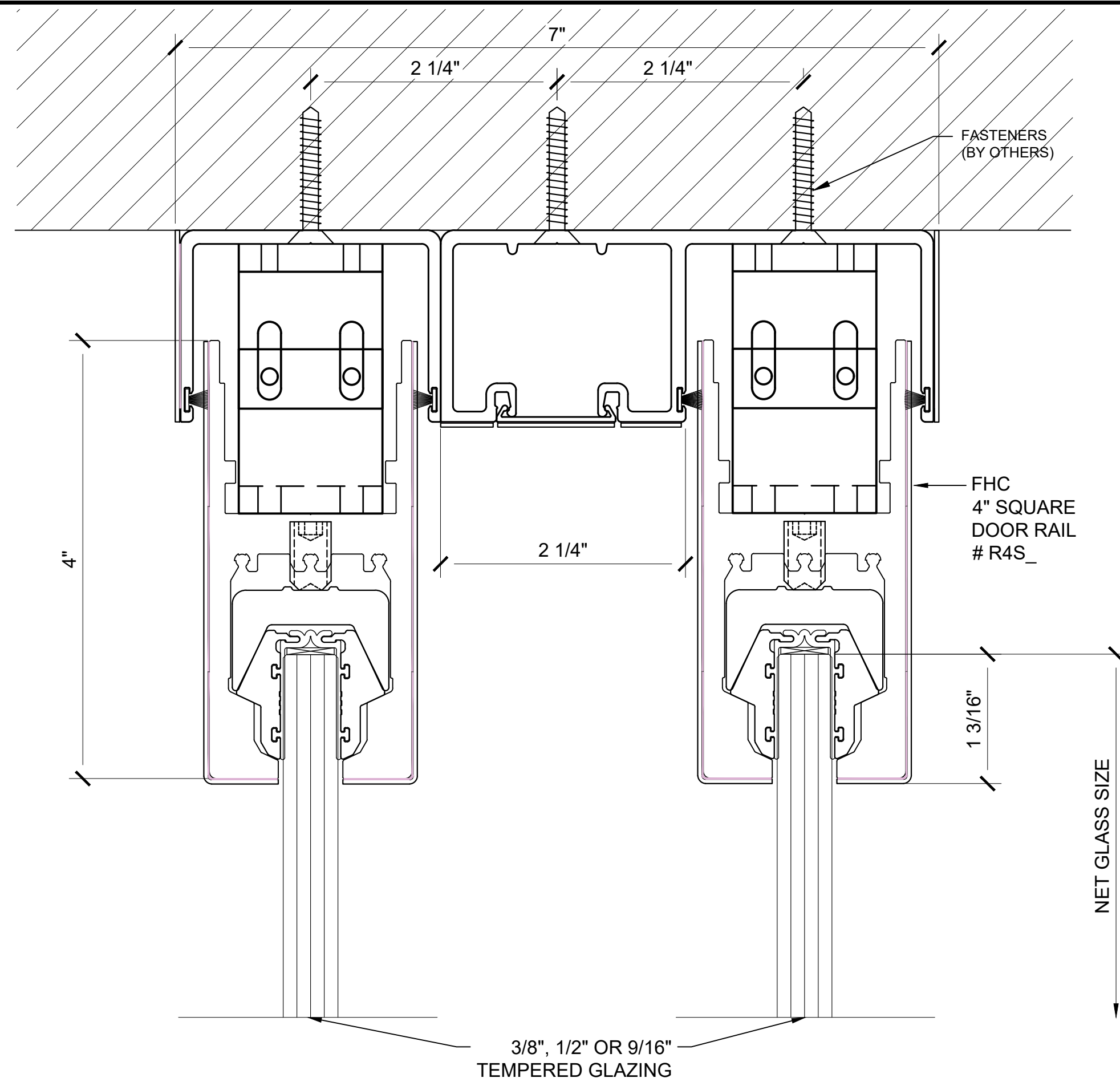
Job Name: \_\_\_\_\_  
 Phone: \_\_\_\_\_  
 Fax: \_\_\_\_\_  
 Contact: \_\_\_\_\_

Customer: \_\_\_\_\_  
 Phone: \_\_\_\_\_  
 Fax: \_\_\_\_\_  
 Contact: \_\_\_\_\_

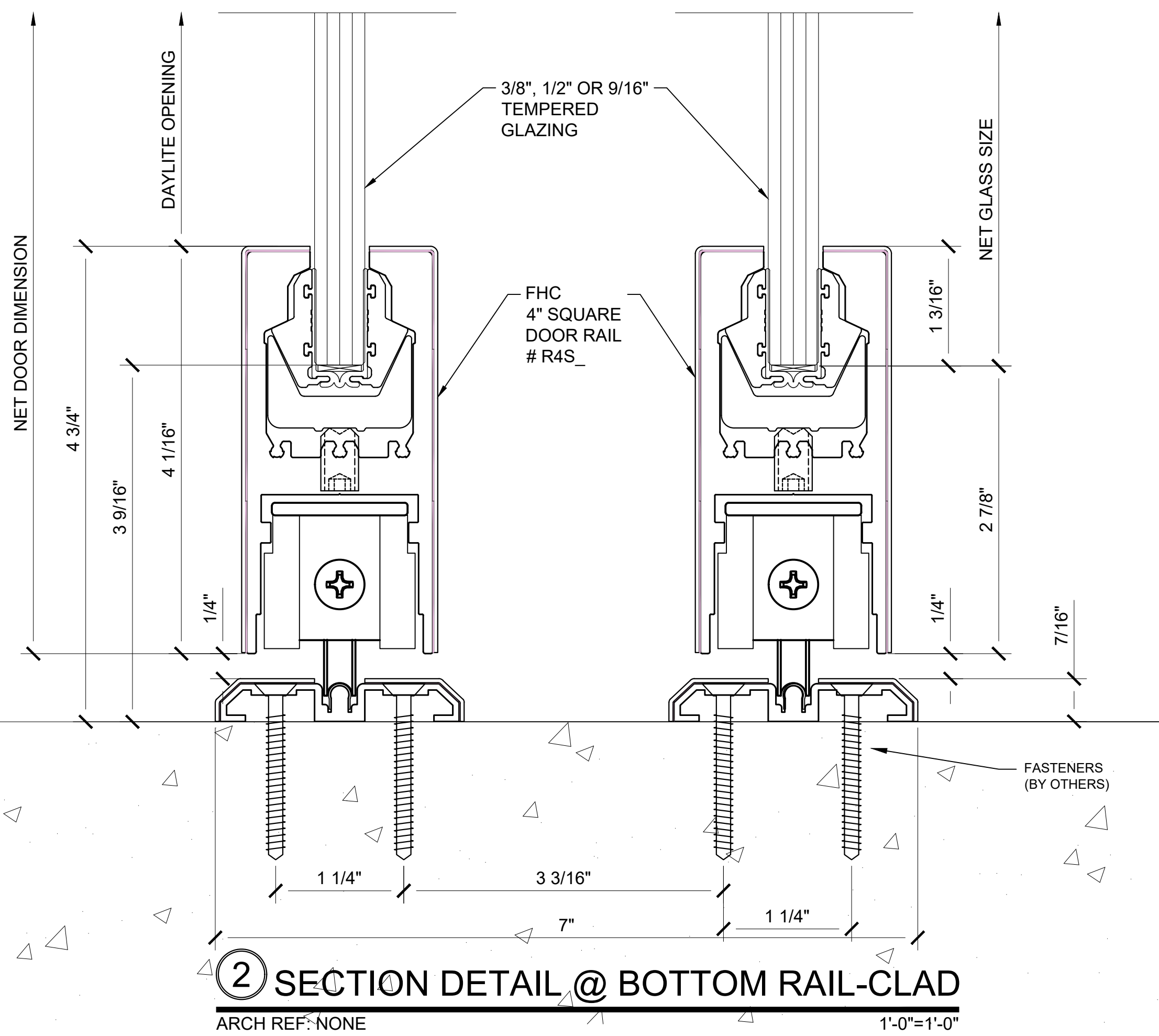
REV#	DATE	DRAWN BY
0	11/06/20	YSL
1		
2		
3		
4		
5		
6		

Drawn By: YSL  
 Checked By: PM  
 Date: 00/00/20  
 Scale: AS NOTED  
 Project #: 000000

Sheet No.



**1 SECTION DETAIL @ HEAD-CLAD**  
 ARCH REF: NONE 1'-0"=1'-0"



**2 SECTION DETAIL @ BOTTOM RAIL-CLAD**  
 ARCH REF: NONE 1'-0"=1'-0"

Architect: \_\_\_\_\_  
 Job Name: \_\_\_\_\_  
 Phone: \_\_\_\_\_  
 Fax: \_\_\_\_\_  
 Contact: \_\_\_\_\_

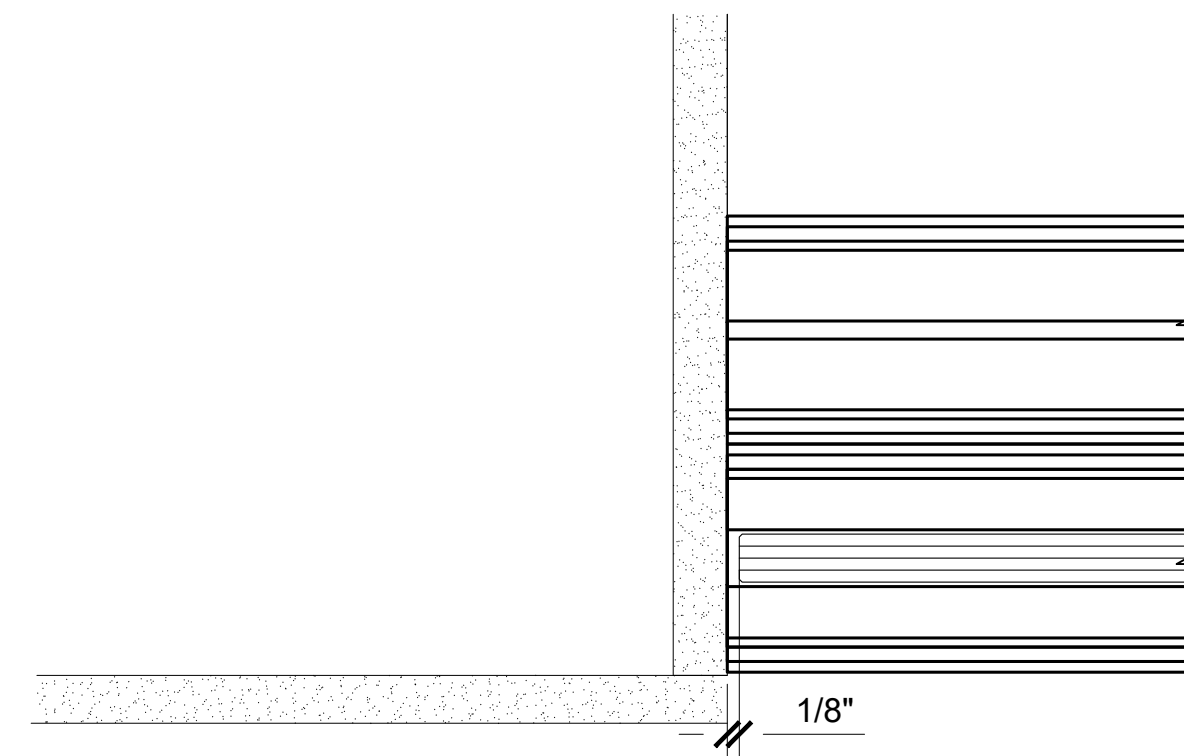
Customer: \_\_\_\_\_  
 Drawn By: YSL  
 Date: 11/06/20  
 REV# 0 1 2 3 4 5 6

Drawn By: YSL  
 Checked By: PM  
 Date: 00/00/20  
 Scale: AS NOTED  
 Project #: 000000

Sheet No.  
**5.04**



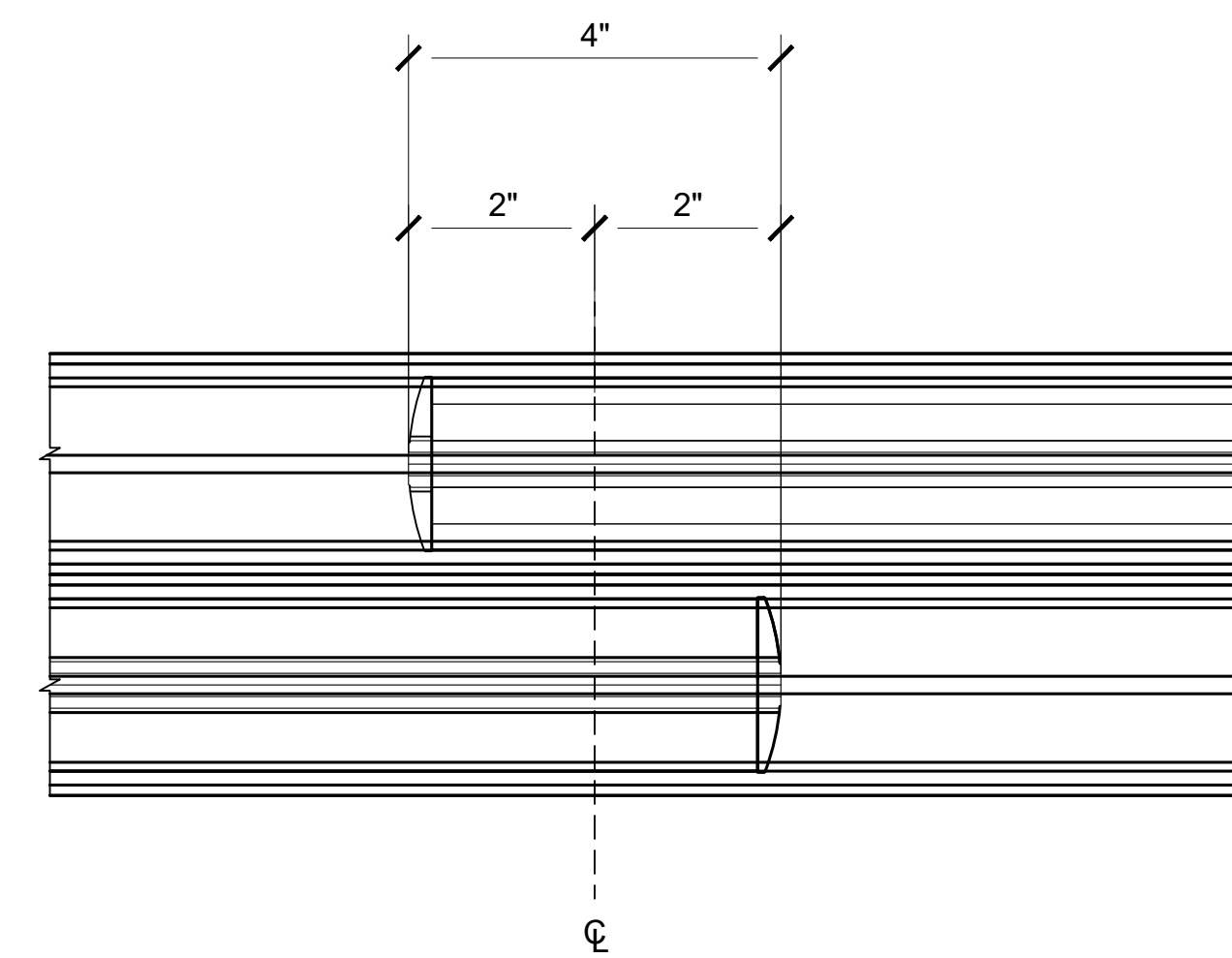
# EXPANDED VIEW @ JAMB AND PANEL OVERLAP



**1A** FIXED PANEL JAMB - ENLARGED PLAN VIEW

ARCH REF: NONE

6" = 1'-0"



**1B** 4" OVERLAP - ENLARGED PLAN VIEW

ARCH REF: NONE

6" = 1'-0"

Architect: \_\_\_\_\_  
 Phone: \_\_\_\_\_  
 Fax: \_\_\_\_\_  
 Contact: \_\_\_\_\_

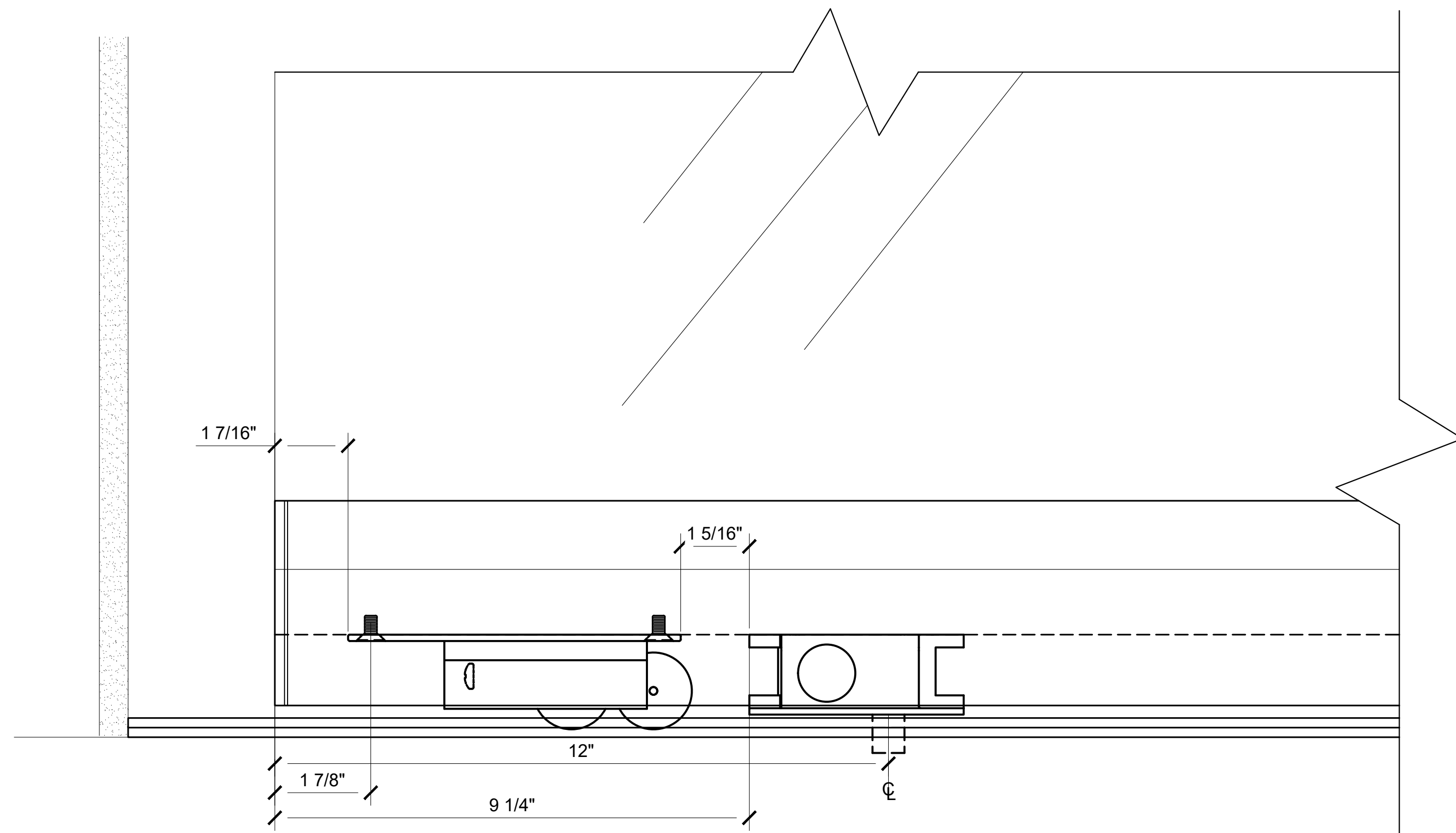
Job Name: \_\_\_\_\_  
 Phone: \_\_\_\_\_  
 Fax: \_\_\_\_\_  
 Contact: \_\_\_\_\_

Customer: \_\_\_\_\_  
 Phone: \_\_\_\_\_  
 Fax: \_\_\_\_\_  
 Contact: \_\_\_\_\_

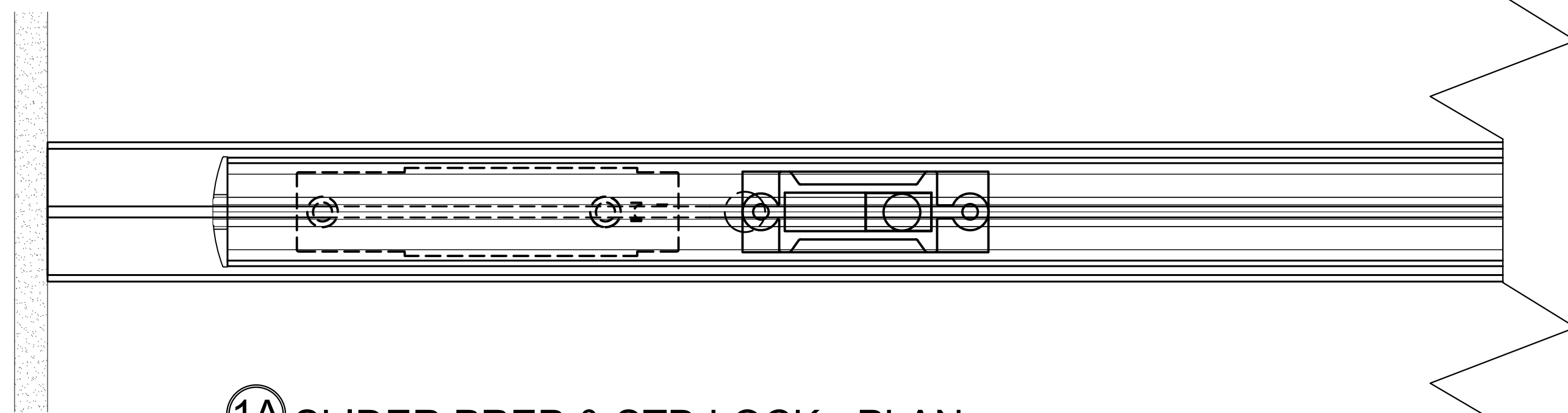
REV#	DATE	DRAWN BY
0	11/06/20	YSL
1		
2		
3		
4		
5		
6		

Drawn By: YSL  
 Checked By: PM  
 Date: 00/00/20  
 Scale: AS NOTED  
 Project #: 000000

# 4" RAIL WITH SLIDER PREP & STD LOCK

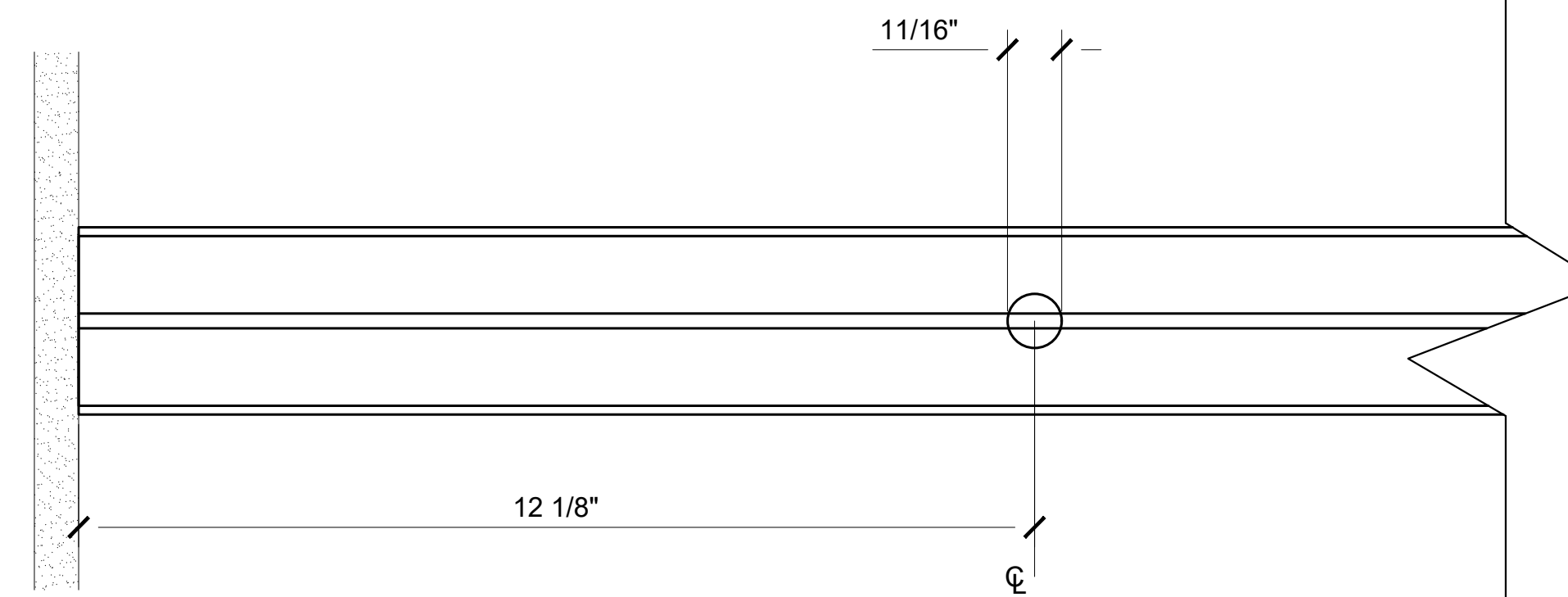


**1B** SLIDER PREP & STD LOCK - ELEVATION  
ARCH REF: NONE 6"=1'-0"

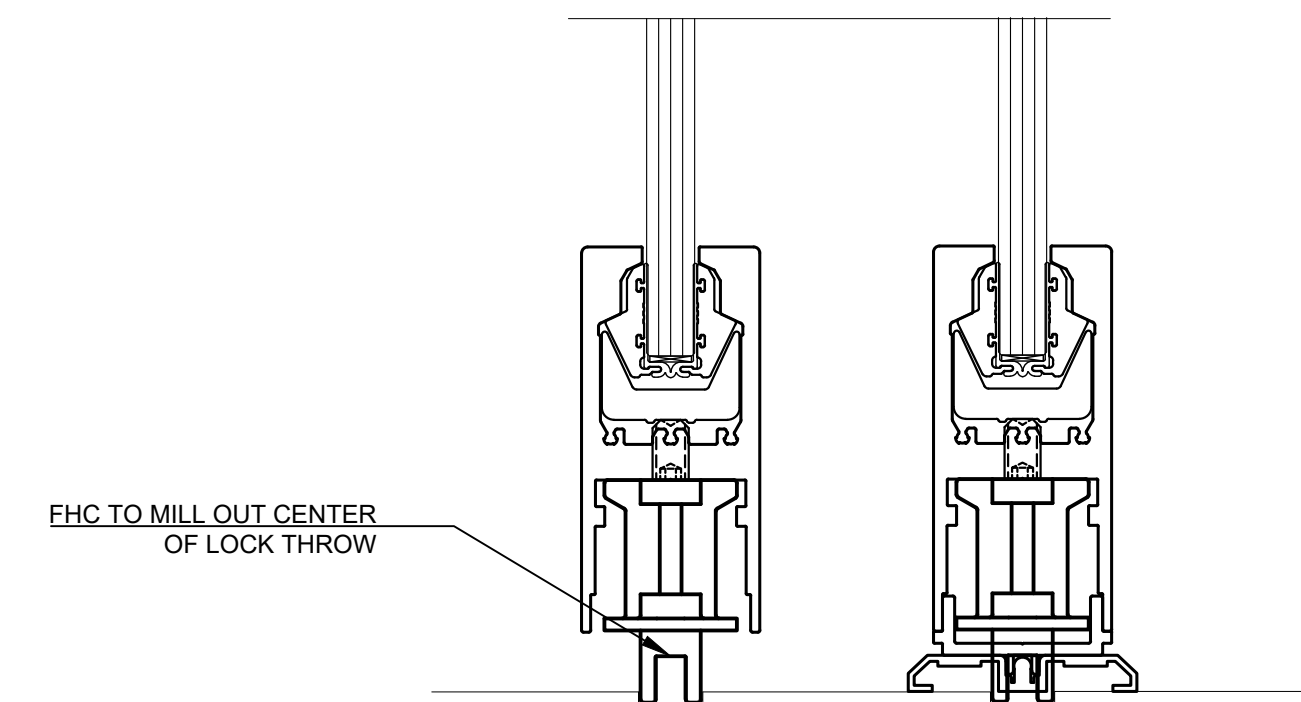


**1A** SLIDER PREP & STD LOCK - PLAN  
ARCH REF: NONE 6"=1'-0"

NOTE: CUT ONLY ALUMINUM EXTRUSION  
DON'T CUT STAINLESS COVER BAR



**1D** STANDARD LOCK PREP- PLAN  
ARCH REF: NONE 6"=1'-0"



**1C** SLIDER PREP & STD LOCK - SECTION  
ARCH REF: NONE 6"=1'-0"

Architect: \_\_\_\_\_  
Phone: \_\_\_\_\_  
Fax: \_\_\_\_\_  
Contact: \_\_\_\_\_

Job Name: \_\_\_\_\_  
Phone: \_\_\_\_\_  
Fax: \_\_\_\_\_  
Contact: \_\_\_\_\_

Customer: \_\_\_\_\_  
Phone: \_\_\_\_\_  
Fax: \_\_\_\_\_  
Contact: \_\_\_\_\_

REV#	DATE	DRAWN BY
0	11/06/20	YSL
1		
2		
3		
4		
5		
6		

Drawn By: YSL  
Checked By: PM  
Date: 00/00/20  
Scale: AS NOTED  
Project #: 000000