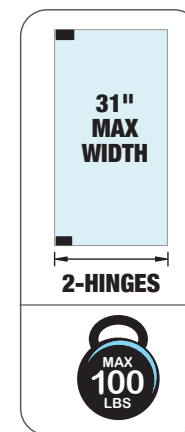
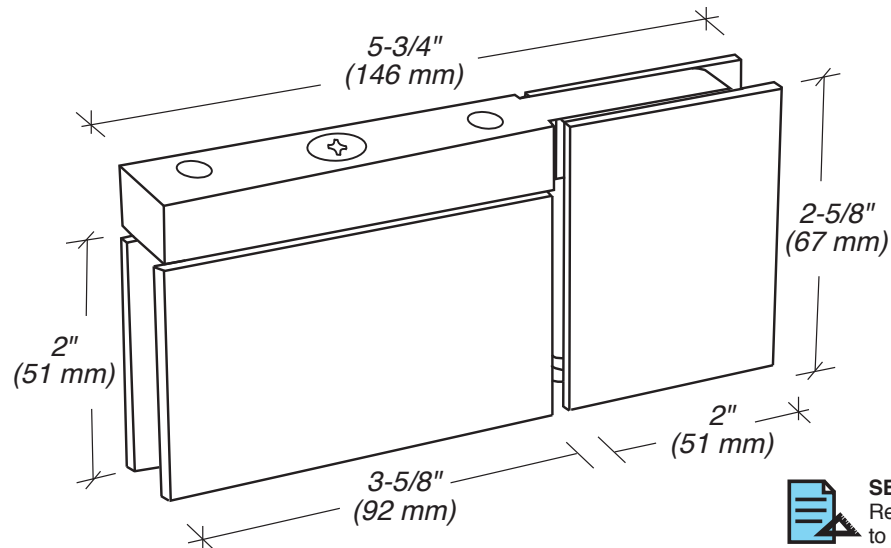


CAMBRIA

Top Square Pivot Hinge With U-Clamp ITEM NO. CAM07

SPECIFICATIONS

Glass Sizes: 3/8" (10 mm) Tempered Glass Only
Construction: Solid Brass
Closing Type: Full Rotation Self-Centering
 When Within 15 Degrees of Closed Position
Includes: Hinge body, glazing gaskets, wall mounting screws, allen head/phillips head cover plate screws, and fabrication template.
Use: Residential Bath and Commercial Hotel Applications



GASKET SPECIFICATIONS:

For 3/8" (10 mm) Glass: Use One Thick Gasket on One Side and One Thin Gasket on the Other Side

GLASS INSTRUCTIONS:

Only use tempered safety glass. To prevent damage to the hinge finish during installation, **do not** use power tools when installing these hinges.

IMPORTANT INFORMATION:

The Patriot Series Pivot Hinge offers advantages over a standard shower door hinge. The pivot hinge design allows most of the door's weight to primarily rest on the bottom pivot fitting, giving more stability and a reduced load. Pivot hinge comes factory set at a standard closed position, an optional 5 degree pivot pin set (Item # P1VPN38) is also available and can be installed on the jobsite. This option allows an additional 5 degrees of closing for jobs that require a firmer, positive position against a jamb or seal.

CARE & CLEANING GUIDELINES:

For best results, keep the following recommendations in mind when caring for your FHC shower door hardware. Your shower door should be dried daily with a soft towel or cloth to ensure its original finish. Do not use harsh cleaners or chemicals on the hardware, as many of the components are coated with a clear lacquer that will become damaged beyond repair. Always test your cleaning solution in an inconspicuous area prior to cleaning the entire hardware surface. Wipe surfaces clean using a soft, dampened cloth or sponge, and rinse completely with warm water immediately after applying the cleaning solution. Use only small amounts of liquid, gentle, cleaner. **Never** use abrasive products, sponges, or wire scrub brushes while cleaning hardware.

MAINTENANCE:

FHC's hinges come factory greased for a silent, hassle-free experience. If there is any noticeable squeaking that occurs after installation, it is recommended to apply a few drops of (3 in 1) multi-purpose oil to the hinge, at the nylon washer/pivot location. The lubricant will penetrate the hinge crevices, reducing friction, cleaning grime, and/or buildup. Spray lubricants are prohibited. If, for some reason, the hinge is disassembled during maintenance, use a small amount of white lithium grease to lubricate the interior hinge components.



SEE TEMPLATE ON BACK
Refer to Dimensions Shown to Ensure Accuracy

MAXIMUM DOOR CAPACITY	3/8" (10 mm) GLASS	
	WEIGHT	WIDTH
USING 2 HINGES	100 LBS. (46 kg)	31" (787mm)

NOTE: Do not exceed either maximum weight or width when choosing proper quantity of hinges.

CAMBRIA

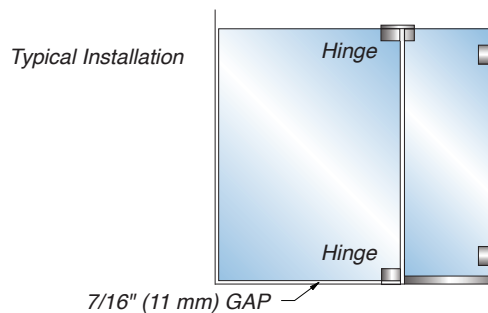
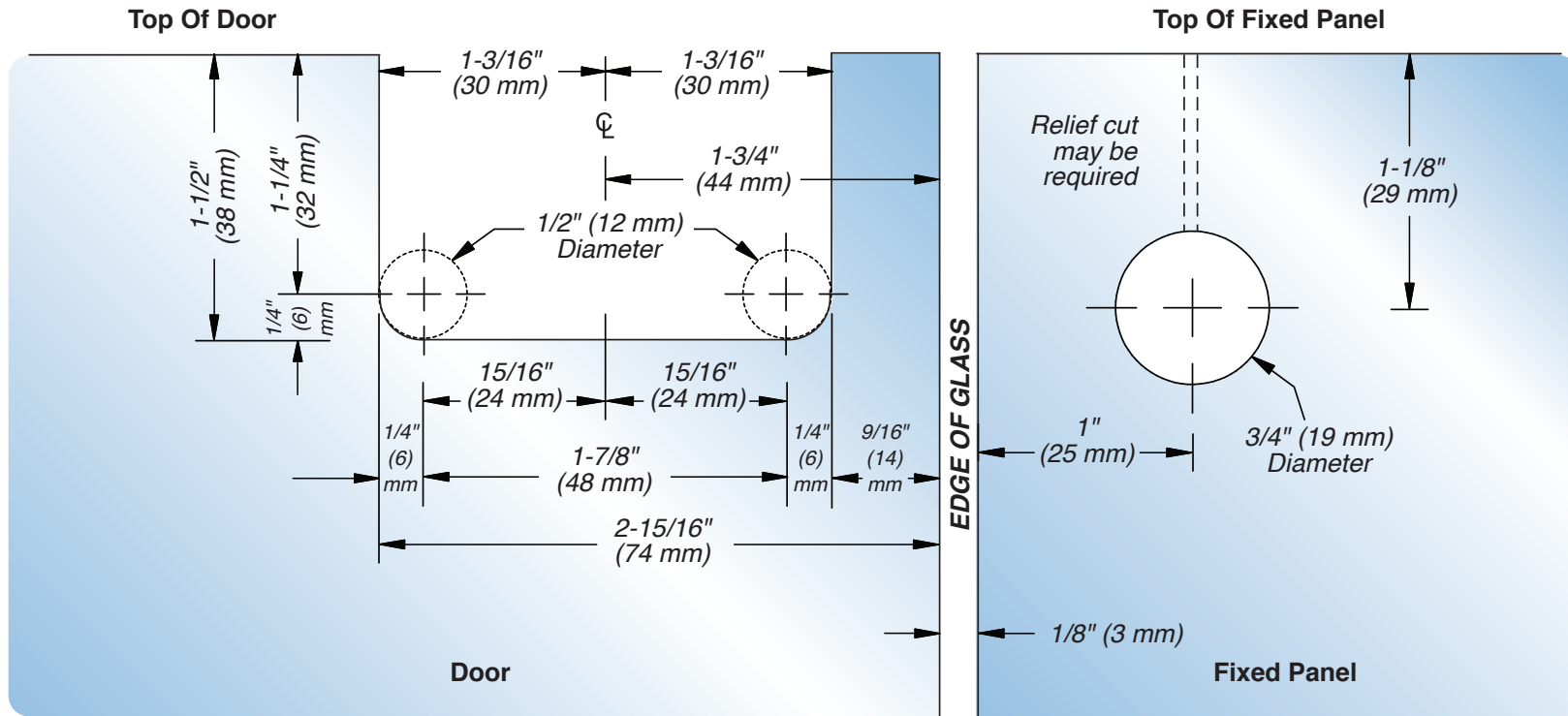
Top Square Pivot Hinge With U-Clamp

ITEM NO. CAM07

Edge Pivot Preferred Option



DO NOT MEASURE / SCALE DRAWING
USE DIMENSIONS SHOWN



IMPORTANT:
Measure from Finished
Edge of Glass



**USE ONLY
MONOLITHIC
TEMPERED GLASS**



For Technical Support
Call Toll Free in the U.S.
(888) 295-4531

FHC

FRAMELESS HARDWARE COMPANY
THE GLAZING SUPPLY COMPANY
EXPERIENCE AND INNOVATION

CAMBRIA

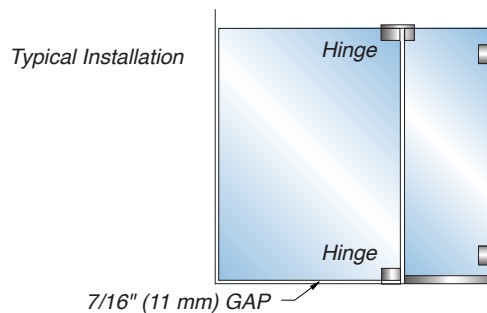
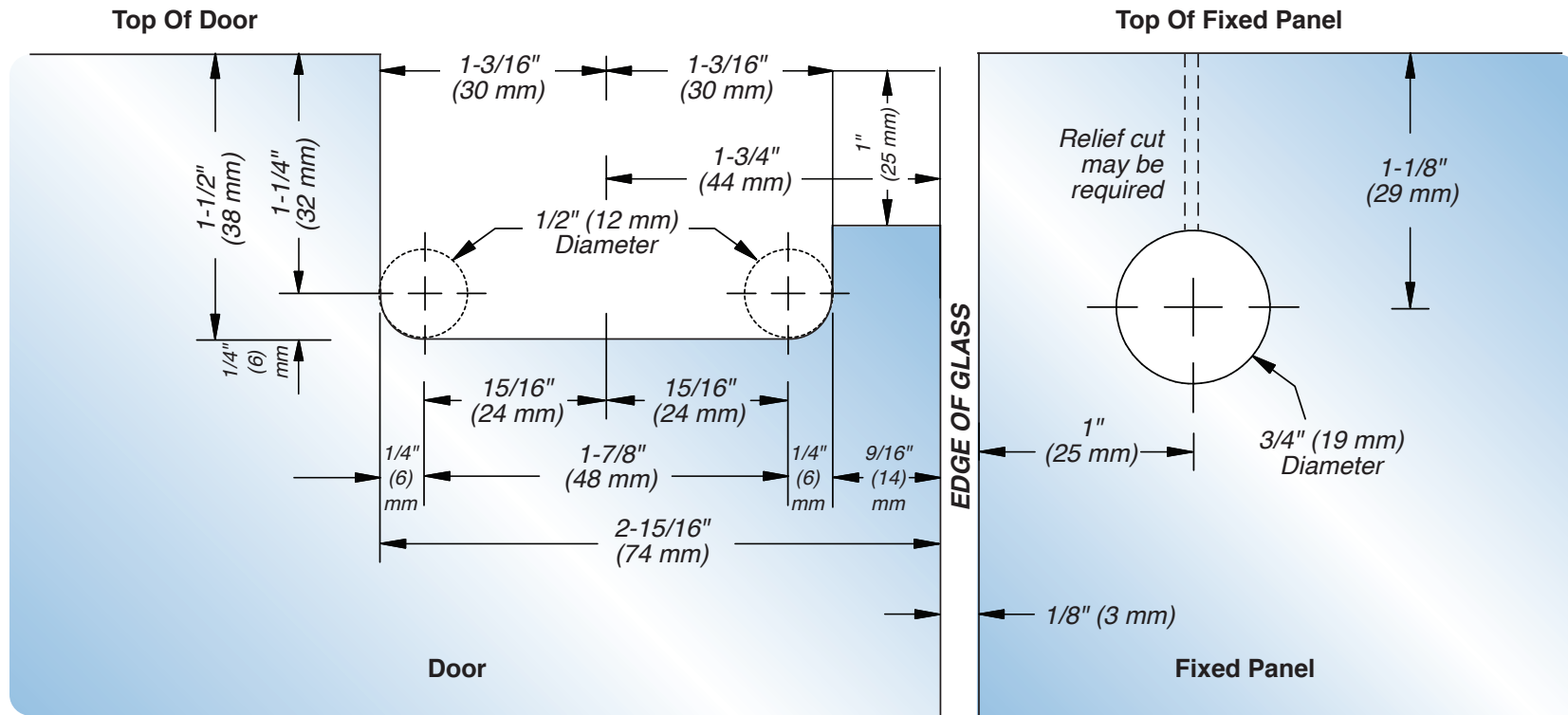
Top Square Pivot Hinge With U-Clamp

ITEM NO. CAM07

Edge Pivot Alternative Option



DO NOT MEASURE / SCALE DRAWING
USE DIMENSIONS SHOWN



! **IMPORTANT:**
Measure from Finished
Edge of Glass

**USE ONLY
MONOLITHIC
TEMPERED GLASS**

?
For Technical Support
Call Toll Free in the U.S.
(888) 295-4531

FHC
FRAMELESS HARDWARE COMPANY
THE GLAZING SUPPLY COMPANY
EXPERIENCE AND INNOVATION

CAMBRIA

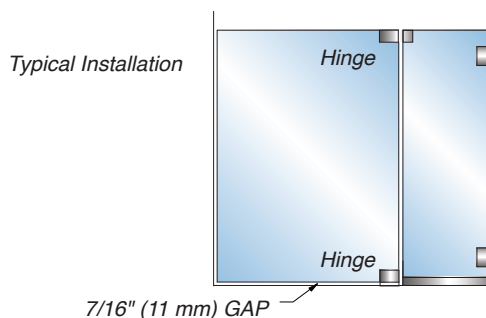
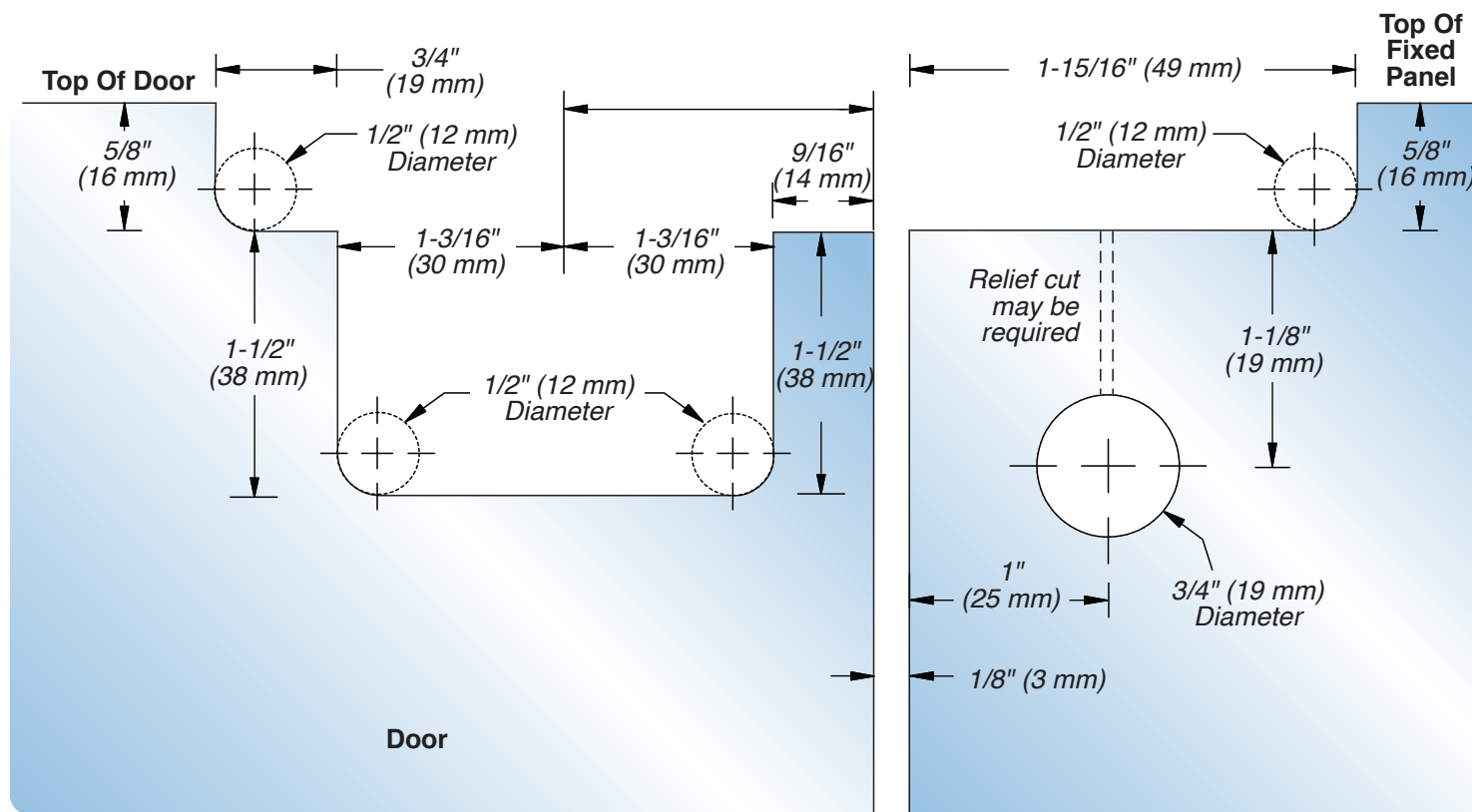
Top Square Pivot Hinge With U-Clamp

ITEM NO. CAM07

Top Flush Mount



DO NOT MEASURE / SCALE DRAWING
USE DIMENSIONS SHOWN



! **IMPORTANT:**
Measure from Finished
Edge of Glass

**USE ONLY
MONOLITHIC
TEMPERED GLASS**

For Technical Support
Call Toll Free in the U.S.
(888) 295-4531

FHC[®]
FRAMELESS HARDWARE COMPANY
THE GLAZING SUPPLY COMPANY
EXPERIENCE AND INNOVATION