

HEAVY-DUTY BEVELED GLASS CLAMP

Fixed Panel Beveled Profile - Center Hole Application

ITEM NO. CBUC4

SPECIFICATIONS

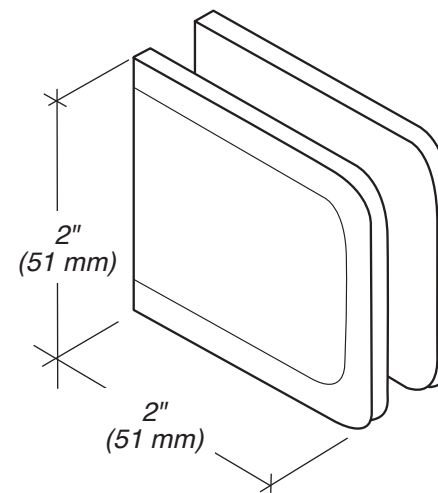
Glass Sizes: 3/8" to 1/2" (10 to 12 mm) Tempered Glass Only

Construction: Solid Brass

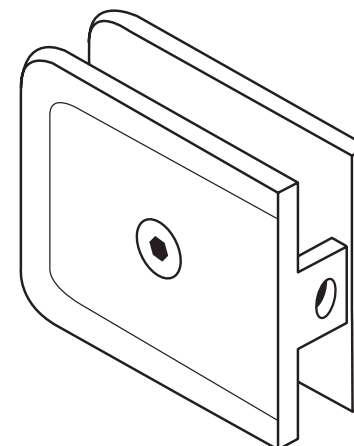
Cutout Required: See Next Page

Includes: Clamp body, glazing gaskets, mounting screws, and fabrication template.

Use: Residential Bath and Commercial Hotel Applications



Front View



Rear View

GASKET SPECIFICATIONS:

For 3/8" (10mm) Glass: Use One Gasket On Each Side

For 1/2" (12mm) Glass: Use One Gasket On Each Side

GLASS INSTRUCTIONS:

Only use tempered safety glass. To prevent damage to the hinge finish during installation, do not use power tools when installing these hinges.

CARE & CLEANING GUIDELINES:

For best results, keep the following recommendations in mind when caring for your FHC shower door hardware. Your shower door hardware should be dried daily with a soft towel or cloth to insure its original finish. Do not use harsh cleaners or chemicals on the hardware, as many of the components are coated with a clear lacquer that will become damaged beyond repair. Always test your cleaning solution in an inconspicuous area prior to cleaning the entire hardware surface. Wipe surfaces clean using a soft dampened cloth or sponge and rinse completely with warm water immediately after applying the cleaning solution. Use only small amounts of liquid, gentle cleaner. Never use abrasive products, sponges, or wire scrub brushes while cleaning hardware.

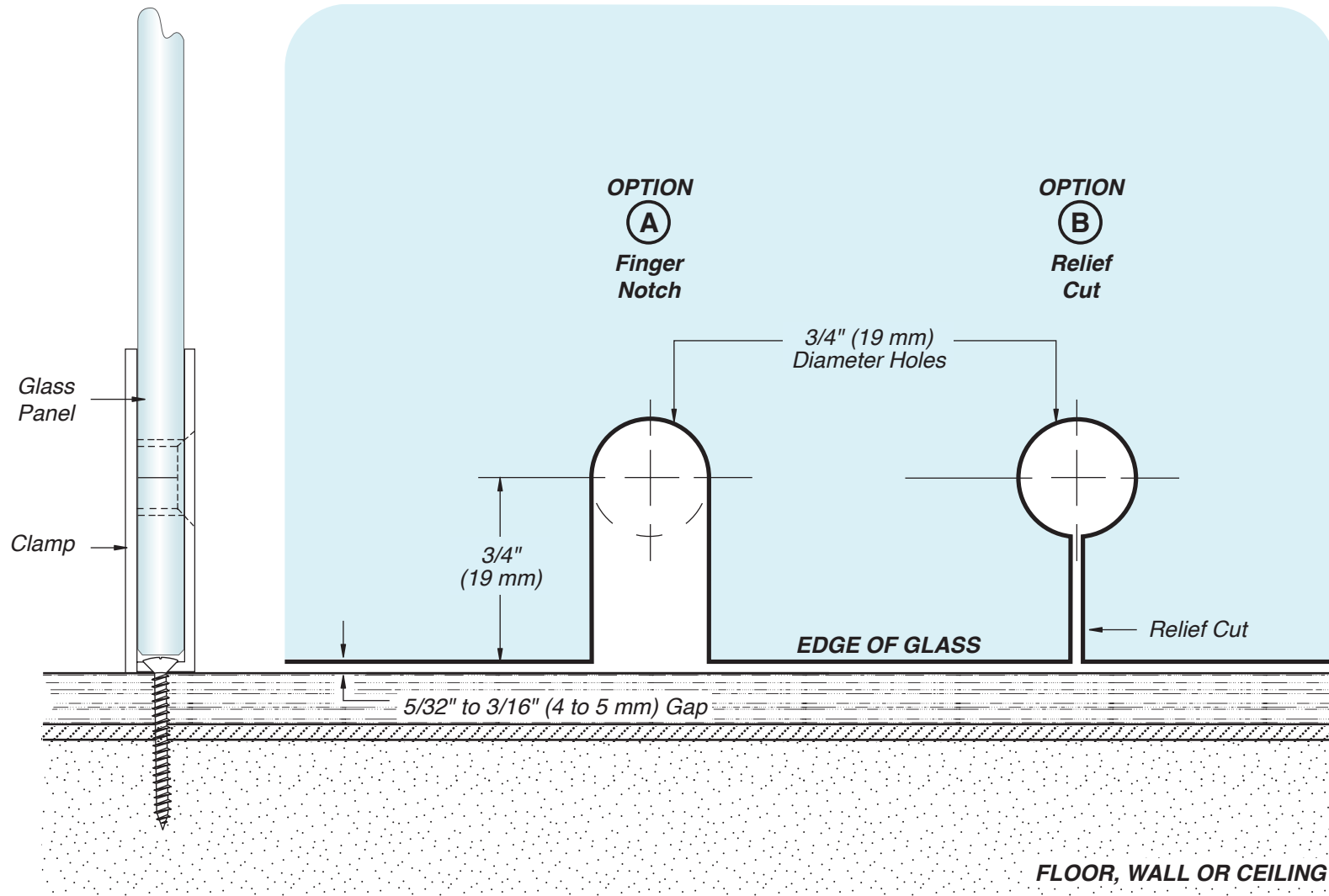
HEAVY-DUTY BEVELED GLASS CLAMP

Fixed Panel Beveled Profile - Center Hole Application
ITEM NO. CBUC4

DO NOT MEASURE / SCALE DRAWING
USE DIMENSIONS SHOWN



IMPORTANT:
Measure from Finished
Edge of Glass



USE ONLY
MONOLITHIC
TEMPERED GLASS



For Technical Support
Call Toll Free in the U.S.
(888) 295-4531

