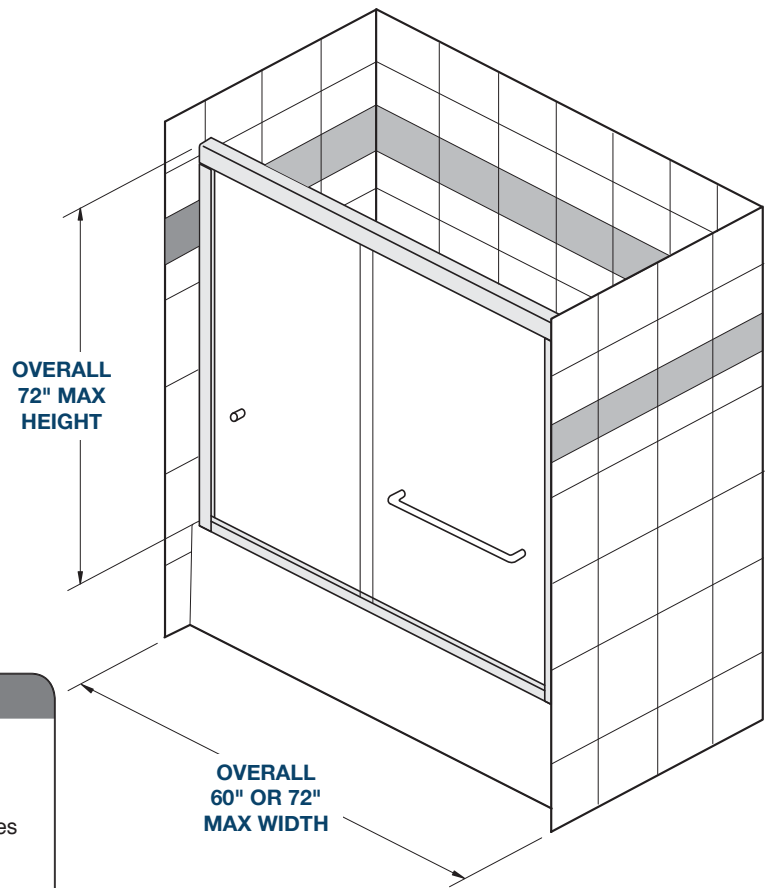
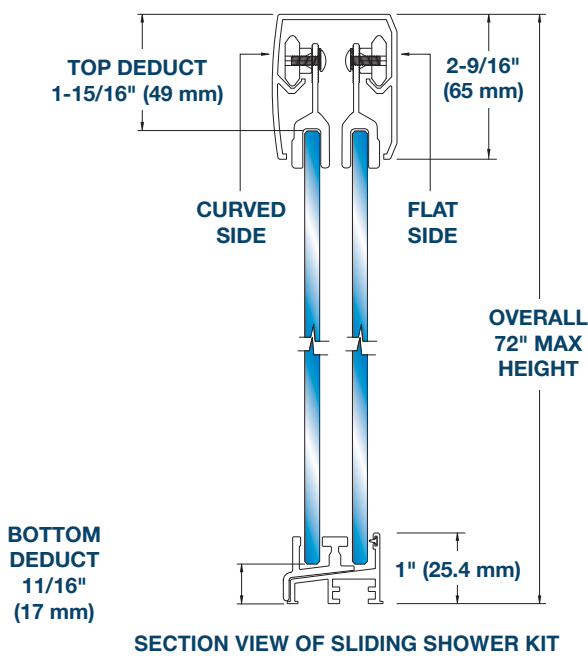


# “CDK” CLASSIC SERIES FRAMELESS SLIDING SHOWER DOOR KITS

- Designed for Use With 1/4" (6 mm) Tempered Glass
- Pressure Fit Clamp-On Top Hanger Bracket
- 2-9/16" (65 mm) Tall Reversible Header
- No Glass Fabrication Required for Hanger Brackets

Our “CDK” Classic Series Frameless Sliding Shower Door Kits offer a cost-effective engineered design, that maintains a brilliant, low-profile frameless look, using 1/4" (6 mm) tempered glazing. The top hangers clamp to the glass and do not require glass fabrication. Precision bearings and wheels offer a quiet glide experience.

Standard sizes fit most applications. Available Stock Sizes: 60" W x 72" H (1.52 x 1.83 m), 72" W x 72" H (1.83 x 1.83 m). “CDK” kits are offered with a slim line header, and vertical metal jambs and sill for, inline applications. Kits with fixed panels are not available.



**SPECIFICATIONS**

Material: Extrusions (Aluminum); Towel Bar (Brass Tubing); Knob (Solid Brass)

Glass Thickness: 1/4" (6 mm) (Glass not included in the Kit)

Glass Fabrication: Towel Bar - Two 1/2" (12 mm) Diameter Holes 24" (610 mm) Center-to-Center  
Knob - One 1/2" (12 mm) Diameter Hole

Maximum Recommended Sizes: 60" W x 72" H (1.52 x 1.83 m)  
72" W x 72" H (1.83 x 1.83 m)

**CDK SERIES SHOWER DOOR KITS**

ITEM NUMBER 60" W x 72" H	ITEM NUMBER 72" W x 72" H	FINISH
CDK14BA	CDK1472BA	Brite Chrome
CDK14BN	CDK1472BN	Brushed Nickel
CDK14MB	CDK1472MB	Matte Black
CDK14ORB	CDK1472ORB	Oil Rubbed Bronze



USE ONLY  
MONOLITHIC  
TEMPERED GLASS



# Cutting Instructions / Glass Sizing for "CDK" Series Kits

All Stock Slider Kits Come with a Knob and a 24" (610 mm) Towel Bar

### Single Sided Towel Bar:

The 24" center-to-center towel bar should be centered horizontally and vertically on the glass panel, with (2) 1/2" (12 mm) diameter holes in the glass.

### Back-to-Back Knob:

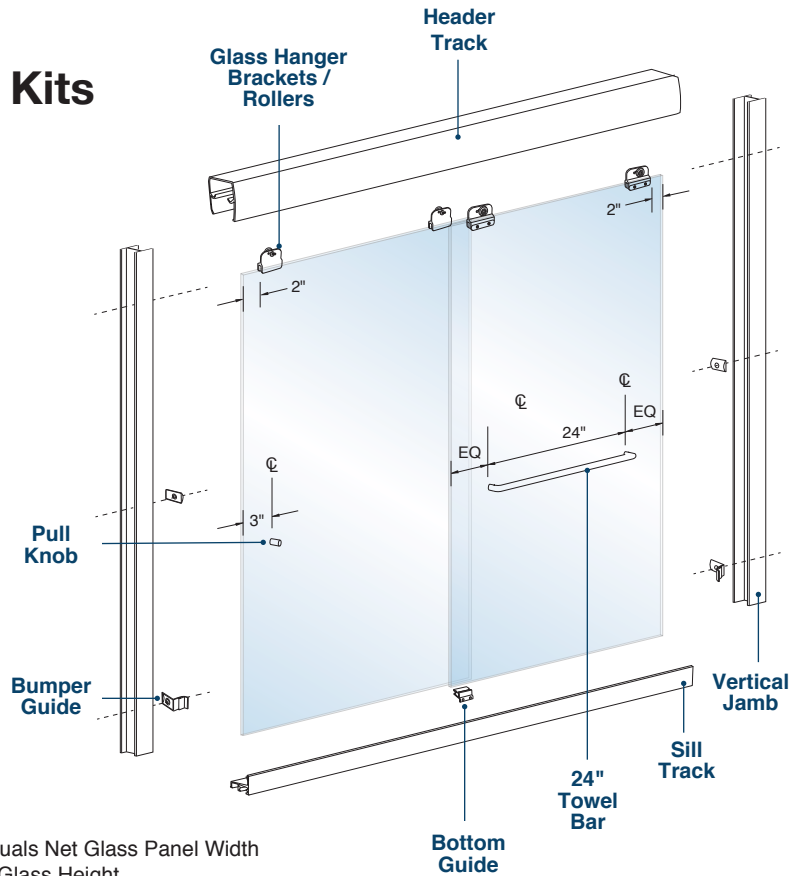
The location of the pull knob should be placed in line horizontally with the towel bar position, and placed 3" in from the glass edge to center line of 1/2" (12 mm) diameter hole.

### QUICK METAL SIZE CUTTING FORMULA:

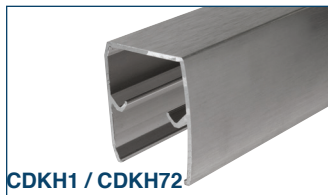
Head Track = Top Width Measurement Less 1/16" (1.5 mm)  
 Vertical Jamb = Overall Height Less 1-1/2" (38 mm)  
 Bottom Sill Track = Bottom Width Measurement Less 3/4" (19 mm)

### QUICK GLASS SIZE FORMULA:

Determine Width = Overall Width Divided by 2 Plus 3/8" (10 mm) Equals Net Glass Panel Width  
 Determine Height = Overall Height Less 2-5/8" (67 mm) Equals Net Glass Height



## ALL KITS INCLUDE THE FOLLOWING COMPONENTS



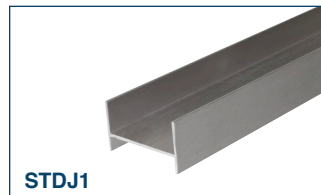
CDKH1 / CDKH72

Header (Qty. 1)



STDS1 / STDS72

Sill Track (Qty. 1)



STDJ1

Vertical Jamb (Qty. 2)



CDKR1

Hanger Brackets/Rollers (Qty. 4)



STDG1

Bottom Guide (Qty. 1)



DKS1

\*Requires (1) 1/2" (12 mm) Diameter Hole

Back-to-Back Pull Knob (Qty. 1)

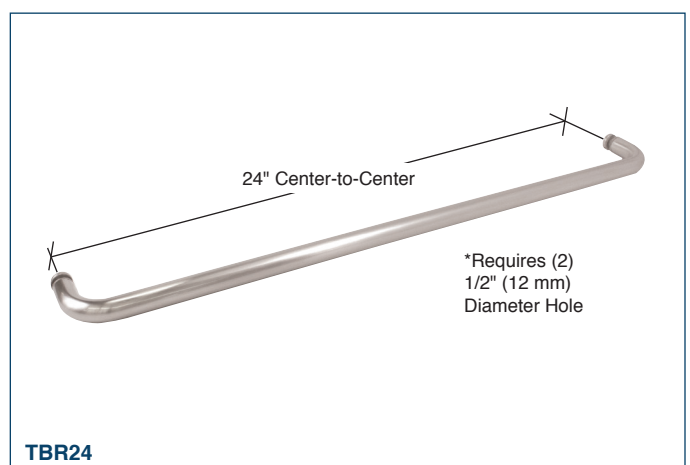


(2) Bumper/Guides

(2) Bumpers

STDJB1

Jamb Bumpers (Qty. 4)



24" Center-to-Center

\*Requires (2) 1/2" (12 mm) Diameter Hole

TBR24

Towel Bar (Single Sided) (Qty. 1)



# Frameless Sliding Shower System for Tub/Shower

Clean and remove any dirt or grime from your shower sill and wall areas where the new unit will be installed.

**Carefully read these instructions completely and inventory all parts before starting installation.**

STEP  
1

## Bottom Sill Track Installation (Item # STDS1 / STDS72)

Measure the overall distance between the walls of your shower tub. Subtract 3/4" (19 mm) and cut the sill to length.

STEP  
2

Apply an even bead of silicone sealant (Item # S150C) centered along the entire length of the sill track and press the sill track into position on the shower tub sill, leaving 3/8" (10 mm) gaps on each side for the jambs. Silicone sealant is sold separately.

## Vertical Jamb Installation (Item # STDJ1)

Measure the desired overall height of your shower door unit. Subtract 1-1/2" (38 mm) and cut the vertical jambs to length. Install the vertical jambs onto each end of the sill track. Plumb and level the vertical jambs with securing tape and mark for the three mounting installation holes per jamb. Using a 1/8" (3 mm) dia. drill bit or 3/16" (5 mm) dia. masonry bit, drill three mounting holes at each jamb. Once the wall or tub has been drilled, secure the jamb to the substrate with the included flat head #8 X 1-1/2" long installation screws.

STEP  
3

**Important Note:** Make sure to install the included black molded bumpers at each mounting screw location when attaching your vertical jambs. Insert the mounting screw through the molded bumper then into the installation hole. Do not over-tighten screws, it may crack bumpers.

STEP  
4

Apply silicone sealant (Item # S150C) at the corners between the sill and the jamb.

## Header Track Installation (Item # CDKH1 / CDKH72)

Measure the overall distance between the tub or walls across the top of the jambs. Subtract 1/16" (1.6 mm) and cut the header track to length. Install the header track over the top of the installed jambs dry fitted in place. Secure the header track from the inside of the tub using the provided #6 X 3/8" pan head self-drilling screws.

STEP  
5

## Glass Top Hanger Installation (Item # CDKR1)

Install the top hanger brackets onto the glass edge by sliding them into place approximately 2" (51 mm) in from the glass edge to the edge of the hanger bracket, make sure the rollers are facing out. Tighten the securing allen head set screws evenly on each hanger until a snug, tight, fit is achieved on the glass panel. Each glass panel receives two hangers. **Note:** Etched glass and pattern glass should be installed with the rough surface facing the exterior of the shower unit.

STEP  
6

## Sliding Door Panel Installation

Proper orientation of the door panels should be determined before installation to prevent water from the shower head spraying the glass panels, and into the bathroom floor. The interior door panel needs to be installed closest to the shower head. Once that is determined, proceed with hanging your door panels onto the installed header.

STEP  
7

## Bottom Guide Installation (Item # STDG1)

Measure and mark the center of the sill track for installation of the molded black bottom guide. Install the guide to the center of the sill track with the provided flat head #6 self-drilling screws.

STEP  
8

STEP  
9

Install the included pull knob and 24" towel bar. Caulk the inside and outside of the jambs and the sill, where the edges meet the wall and tub, using (Item # S150C) Silicone Sealant.

## “CDK” Classic Series Components Part List

QUANTITY	ITEM NO.	DESCRIPTION
1	<b>CDKH1 / CDKH72</b>	Head Track 61" (1549 mm) or 72" (1830 mm) Length
1	<b>STDS1 / STDS72</b>	Sill Track 61" (1549 mm) or 72" (1830 mm) Length
2	<b>STDJ1</b>	Vertical Jambs 70-1/2" (1790 mm) Length
1	<b>TBR24</b>	Towel Bar Single-Sided 24" (610 mm) Center-to-Center
1	<b>DKS1</b>	Back-to-Back Pull Knob
1	<b>STDG1</b>	Bottom Guide
1	<b>STDVS1</b>	Vinyl Strip for Sill
4	<b>STDJB1</b>	Jamb Bumpers / Guides
4	<b>CDKR1</b>	Glass Hanger Brackets / Rollers

QUANTITY	FASTENERS
6	#8 X 1-1/2" Flat Head Screws (Jamb Installation Screws)
2	#6 x 3/8" Pan Head Screws (Head Track Installation Screws)
4	#6 x 3/4" Flat Head Self-Drilling Screws (Bottom Guide Screws)
6	3/16 Plastic Anchors (Jamb Installation Anchors)

TOOLS REQUIRED	
#1 Phillips Screw Driver	3/16" Masonry Bit (if required)
#2 Phillips Screw Driver	Caulking Compound
Rubber Mallet	Tape Measure
Power Drill	Hacksaw / Chopsaw
1/8" Drill Bit	Level



For Technical Support  
Call Toll Free in the U.S.  
**(888) 295-4531**