

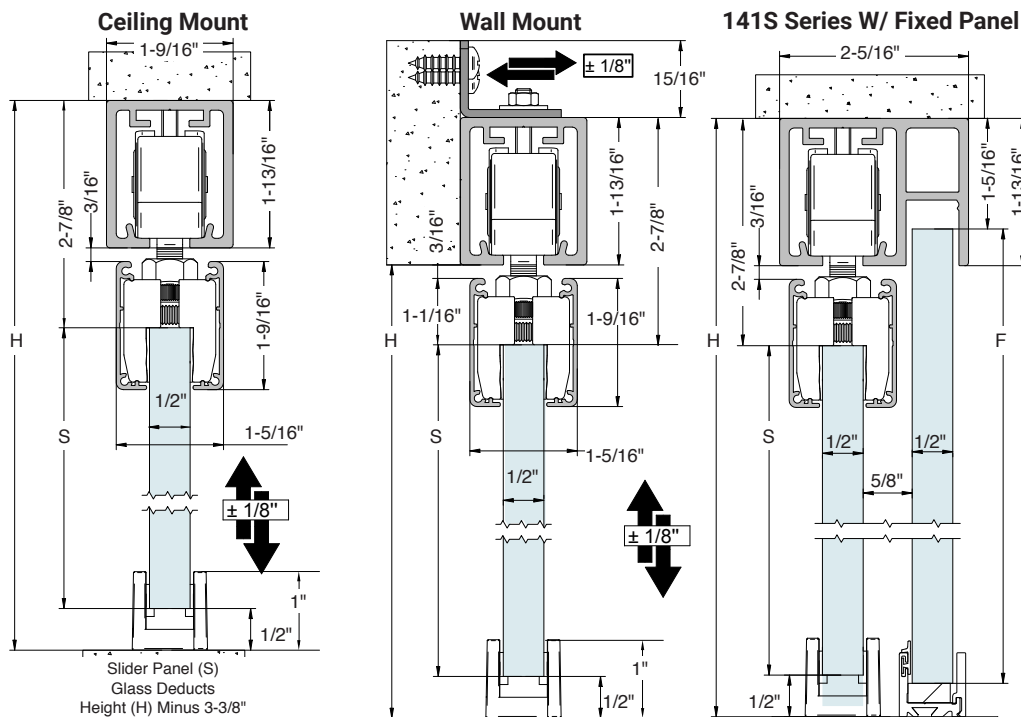
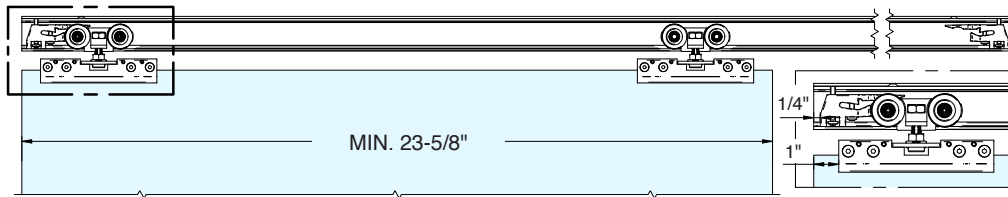
# FHC CLASSIC 140S & 141S SERIES SLIDERS

Top Hung Single Sliding Door Kit Wall and Ceiling Mount

- For 3/8", 1/2" and 3/4" Glass
- (3/8" or 1/2" Glass With Fixed Panel)



a		2	d		1
b		2	e		2
c		2	f		1



SINGLE SLIDERS ITEM NO.	SINGLE SLIDER WITH FIXED PANEL ITEM NO.	FINISH
CL140SSA	CL141SSA	Satin Anodized
CL140SMB	CL141SMB	Matte Black

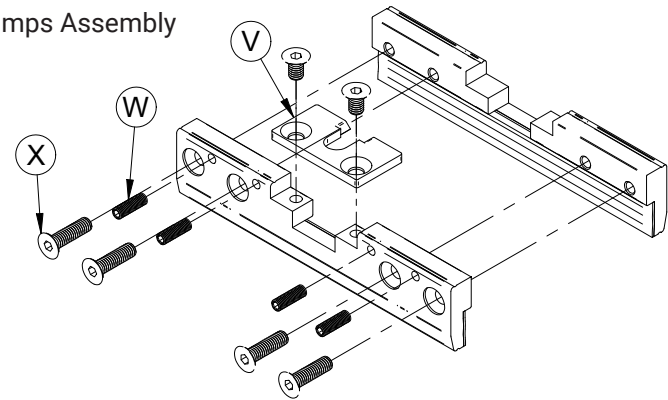
Slider Panel (S) Glass Deducts Height (H) Minus 1-9/16"

Slider Panel (S) Glass Deducts Height (H) Minus 3-3/8"

Slider Panel (S) Glass Deducts Height (H) Minus 3-3/8"

Fixed Panel (F) Glass Deducts Height (H) Minus 1-13/16"

## ① Clamps Assembly

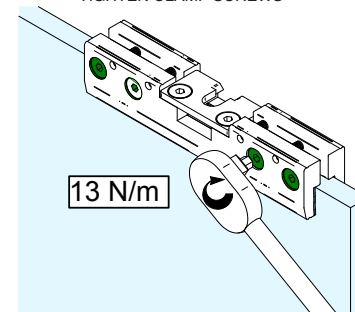
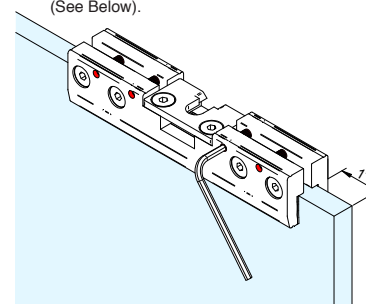


V <sub>1</sub>		Glass 3/8"
		Glass 1/2"
V <sub>2</sub>		Glass 3/4"

W <sub>1</sub>		Glass 3/8"
X <sub>1</sub>		Glass 1/2"
W <sub>2</sub>		Glass 3/4"
X <sub>2</sub>		Glass 3/4"

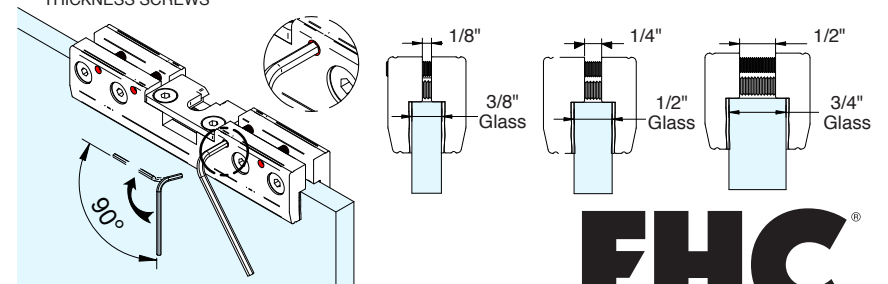
FIRST STEP: ADJUST GLASS THICKNESS SCREWS TO RECOMMENDED GAPS (See Below).

SECOND STEP: TIGHTEN CLAMP SCREWS



THIRD STEP: TIGHTEN THE GLASS THICKNESS SCREWS

Recommended Gaps



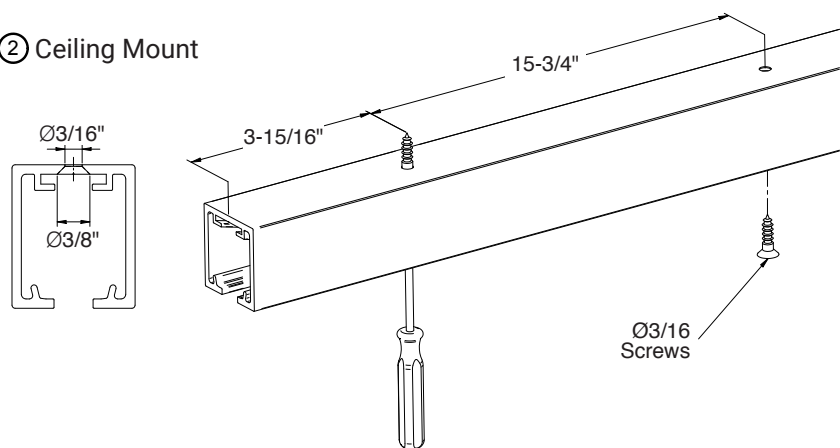
EXPERIENCE AND INNOVATION



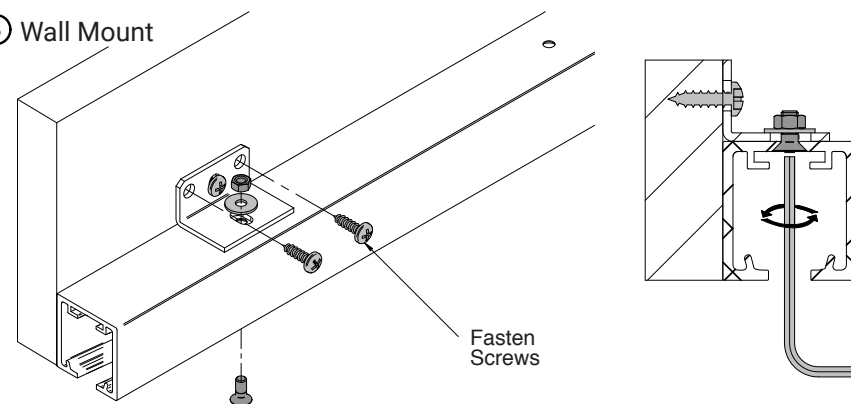
FRAMELESS HARDWARE COMPANY

P.O. Box 1906, South Gate, CA 90280 Toll Free: (888) 295-4531 | Fax: 323 336-8307 | Web: fhc-usa.com

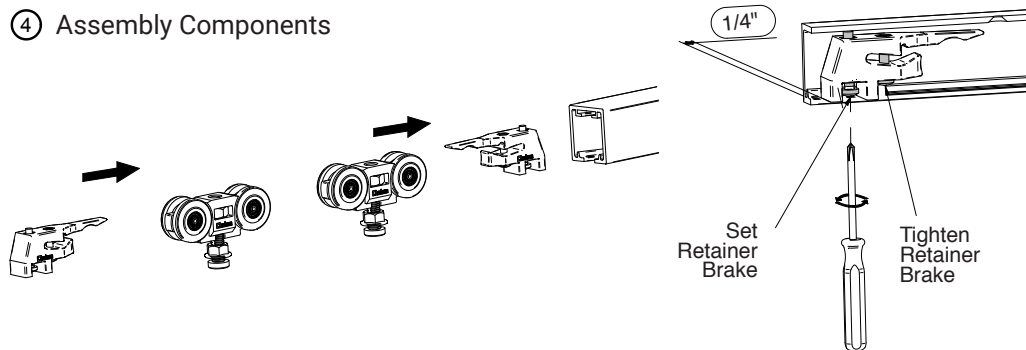
② Ceiling Mount



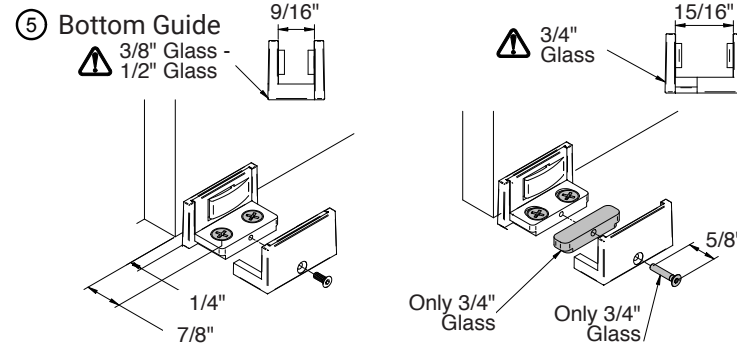
③ Wall Mount



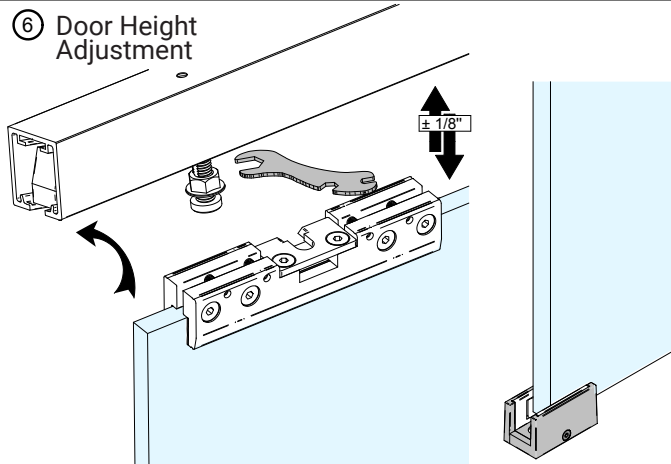
④ Assembly Components



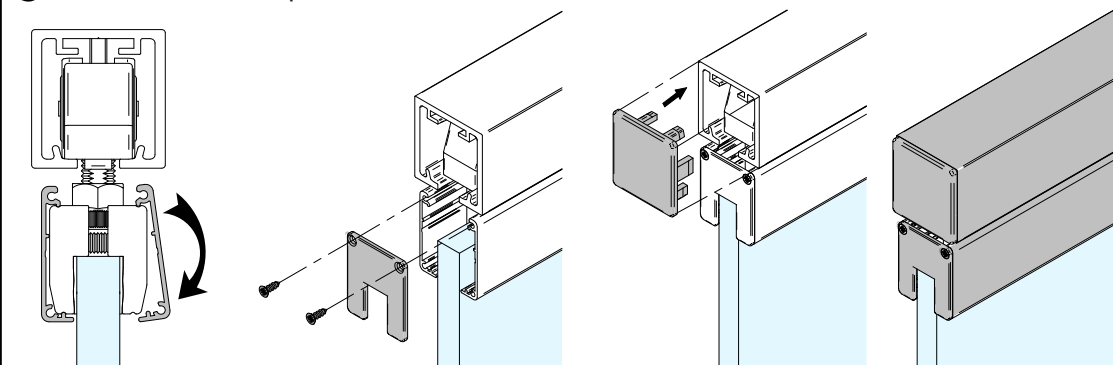
⑤ Bottom Guide



⑥ Door Height Adjustment



⑦ Install End Cover Caps

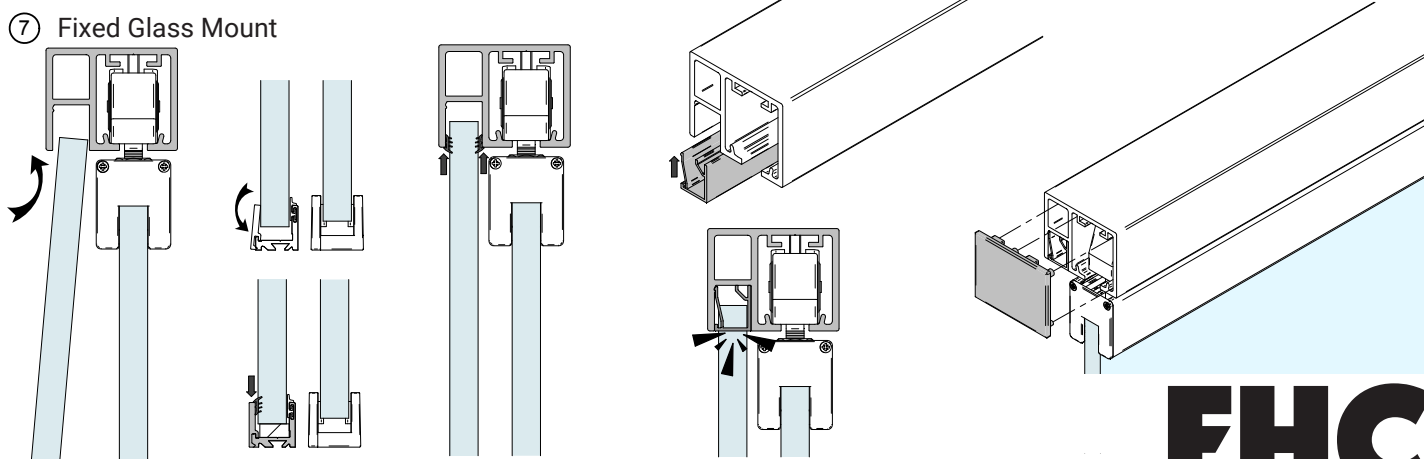
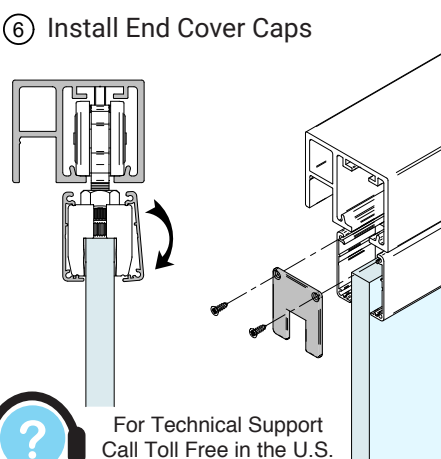
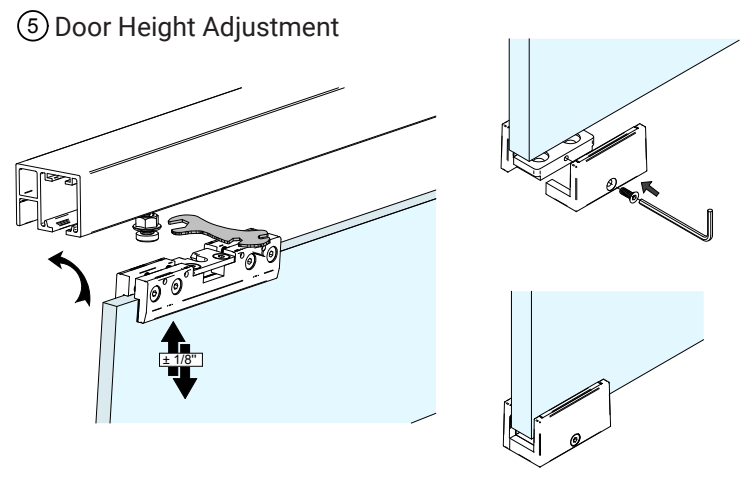
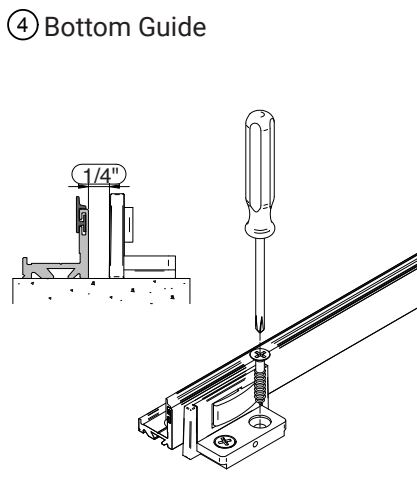
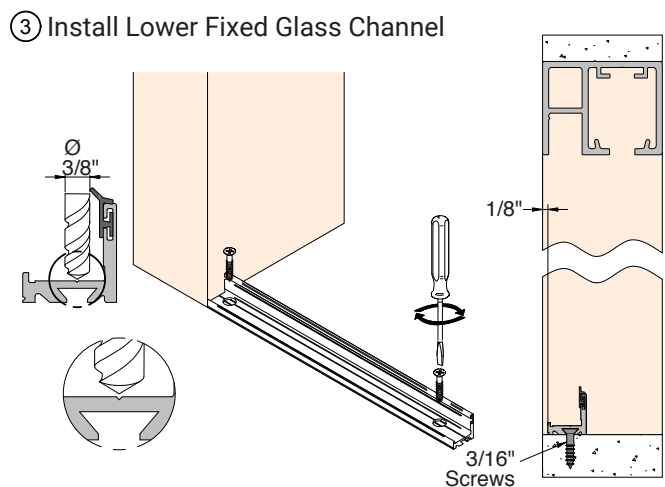
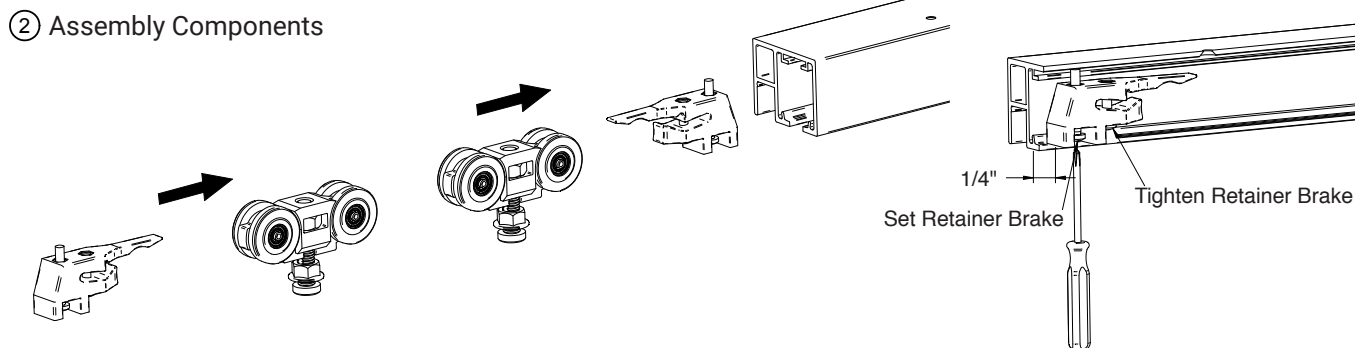
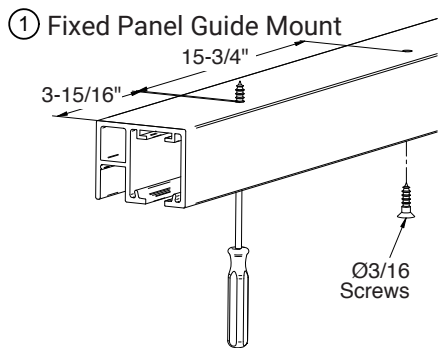


For Technical Support  
Call Toll Free in the U.S.  
(888) 295-4531

EXPERIENCE AND INNOVATION



FRAMELESS HARDWARE COMPANY  
THE GLAZING SUPPLY COMPANY



For Technical Support  
Call Toll Free in the U.S.  
**(888) 295-4531**

**FRAMELESS HARDWARE COMPANY**

P.O. Box 1906, South Gate, CA 90280 Toll Free: (888) 295-4531 | Fax: 323 336-8307 | Web: fhc-usa.com

**EXPERIENCE AND INNOVATION**

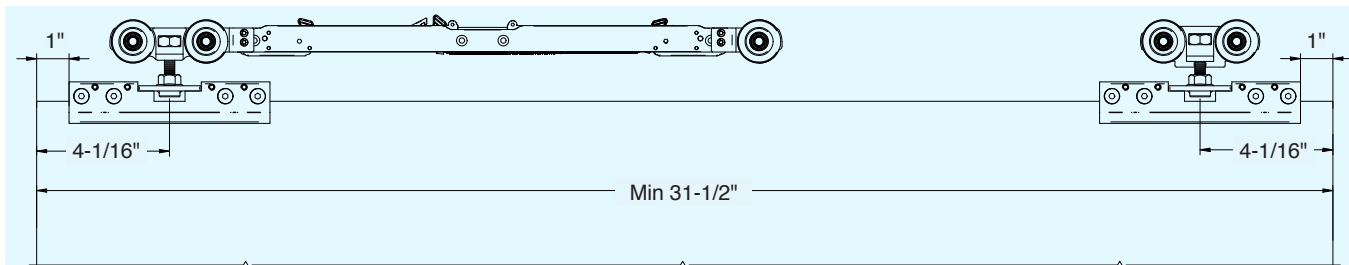
**FHC**  
FRAMELESS HARDWARE COMPANY  
THE GLAZING SUPPLY COMPANY



FRAMELESS HARDWARE COMPANY  
THE GLAZING SUPPLY COMPANY

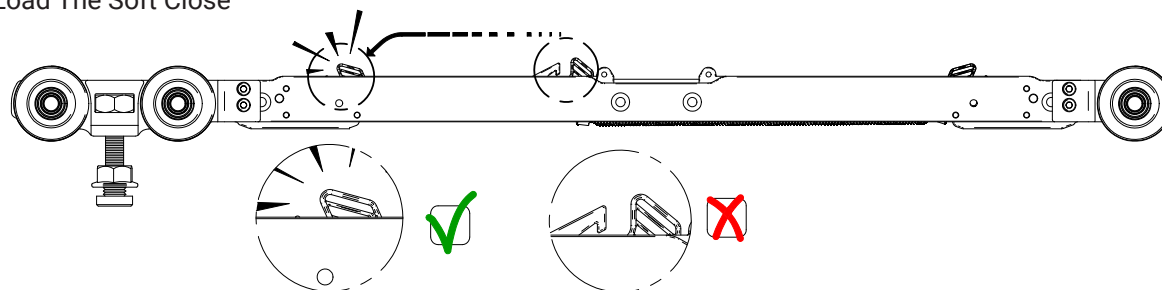
**FHC CLASSIC**  
**140S/141S Soft Close**

\* Maximum Door Weight Is 265 Pounds  
When Soft Close Is Used

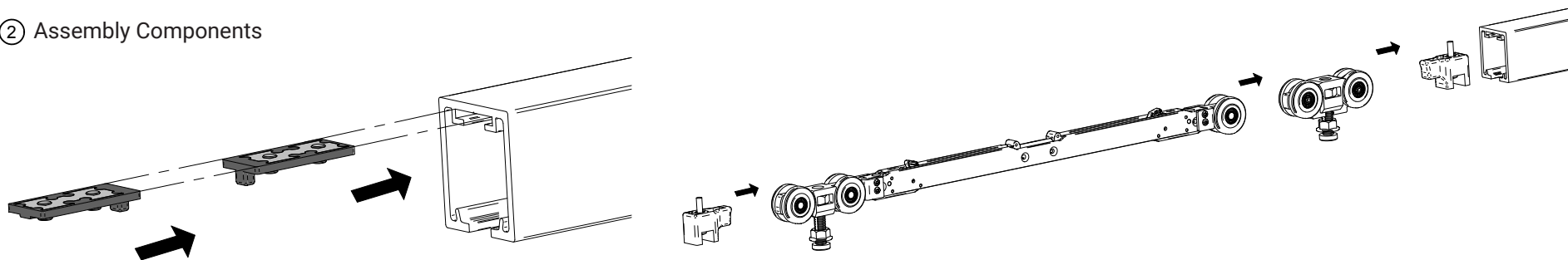


a		1	d		2
b		2	e		1
c		2	f		1

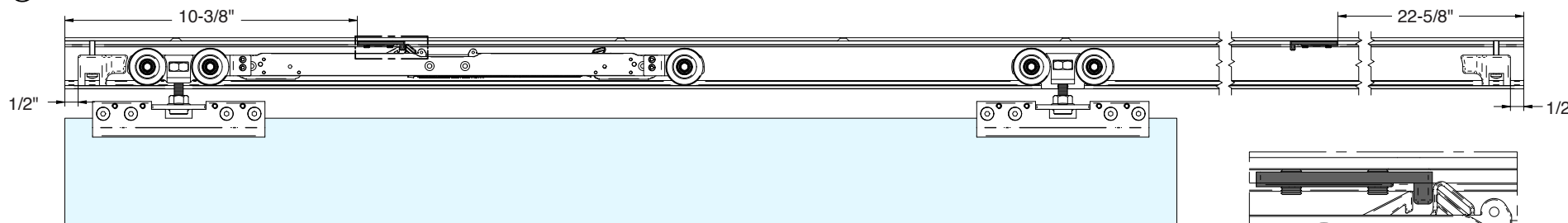
① Load The Soft Close



② Assembly Components



③ Activators Position



**EXPERIENCE AND INNOVATION**  
FRAMELESS HARDWARE COMPANY

P.O. Box 1906, South Gate, CA 90280 Toll Free: (888) 295-4531 | Fax: 323 336-8307 | Web: fhc-usa.com



For Technical Support  
Call Toll Free in the U.S.  
**(888) 295-4531**