

# FHC 135° GLASS CLAMP – TRADITIONAL

ITEM NO. CSN635

## SPECIFICATIONS

**Glass Sizes:** 3/8" to 1/2" (10 to 12 mm) Tempered Glass Only  
**Construction:** Solid Brass  
**Cutout Required:** Cutout No. CSN635  
**Includes:** Clamp body, glazing gaskets, mounting screws, and fabrication template.  
**Use:** Residential Bath and Commercial Hotel Applications

## GASKET SPECIFICATIONS:

**For 3/8" (10mm) Glass:** Use One Gasket On Each Side

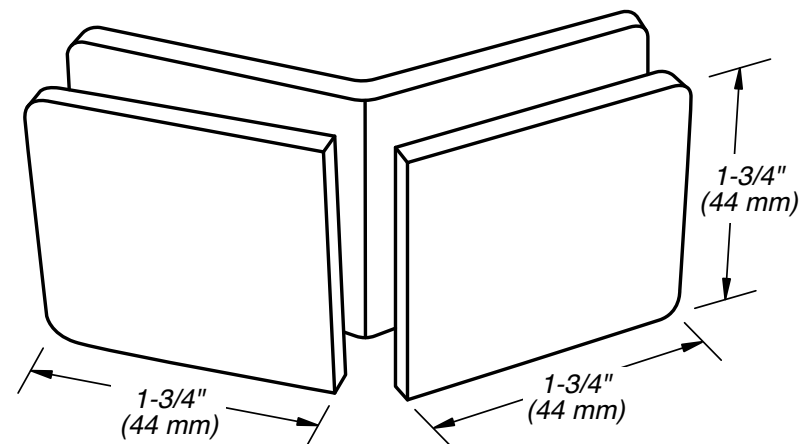
**For 1/2" (12mm) Glass:** Use One Gasket On Each Side

## GLASS INSTRUCTIONS:

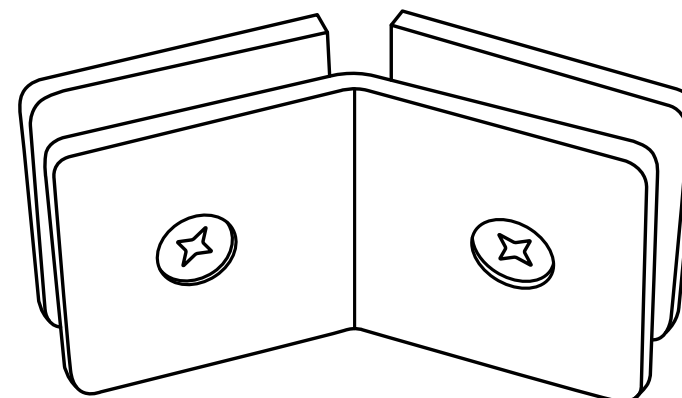
Only use tempered safety glass. To prevent damage to the clamp finish during installation, do not use power tools when installing these clamps.

## CARE & CLEANING GUIDELINES:

For best results, keep the following recommendations in mind when caring for your FHC shower door hardware. Your shower door hardware should be dried daily with a soft towel or cloth to insure its original finish. Do not use harsh cleaners or chemicals on the hardware, as many of the components are coated with a clear lacquer that will become damaged beyond repair. Always test your cleaning solution in an inconspicuous area prior to cleaning the entire hardware surface. Wipe surfaces clean using a soft dampened cloth or sponge and rinse completely with warm water immediately after applying the cleaning solution. Use only small amounts of liquid, gentle cleaner. Never use abrasive products, sponges, or wire scrub brushes while cleaning hardware.



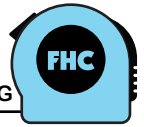
Front View



Rear View

# FHC 135° GLASS CLAMP – TRADITIONAL

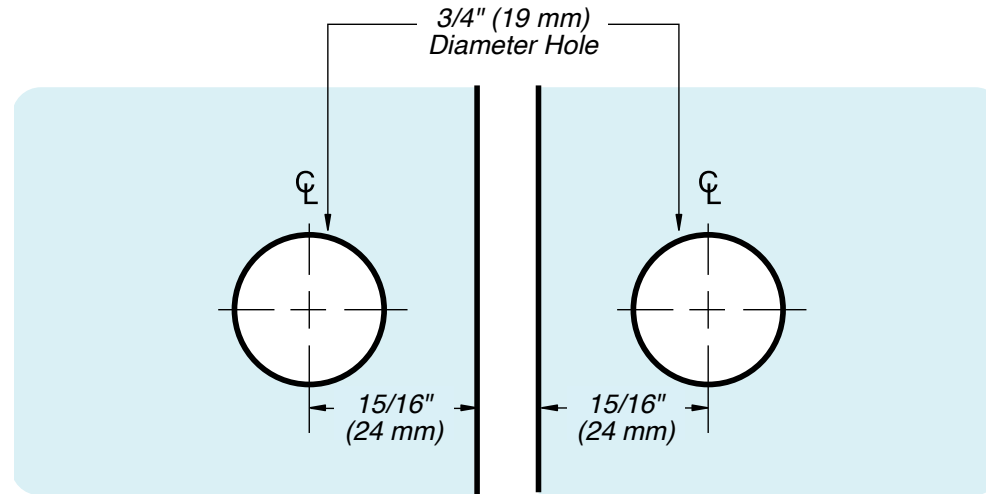
ITEM NO. CSN635



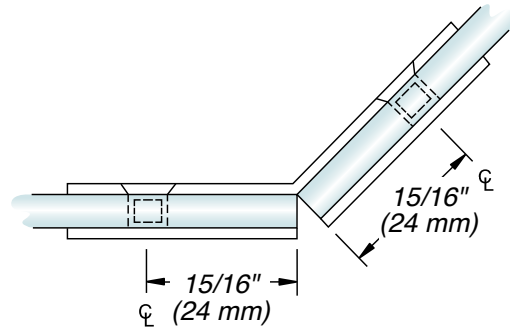
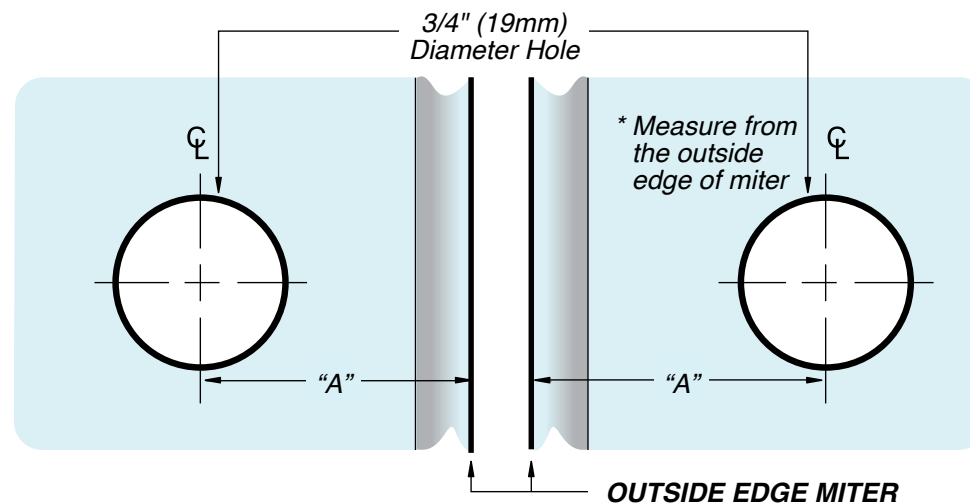
DO NOT MEASURE / SCALE DRAWING  
USE DIMENSIONS SHOWN

Cutout No. CSN635

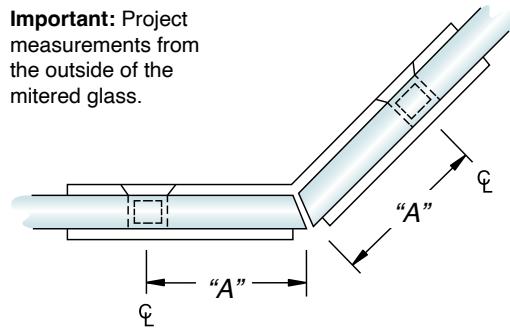
## TEMPLATE OPTION FOR SQUARE CUT GLASS



## TEMPLATE OPTION FOR 22-1/2° MITERED GLASS (TYPICAL INSTALLATION)



**Important:** Project measurements from the outside of the mitered glass.



GLASS THICKNESS	"A" MEASUREMENT
3/8" (10 mm)	1-1/8" (28.5 mm)
1/2" (12 mm)	1-3/16 (30 mm)

\*From outside edge of miter



USE ONLY  
MONOLITHIC  
TEMPERED GLASS



For Technical Support  
Call Toll Free in the U.S.  
**(888) 295-4531**

