

GLASS CLAMPS

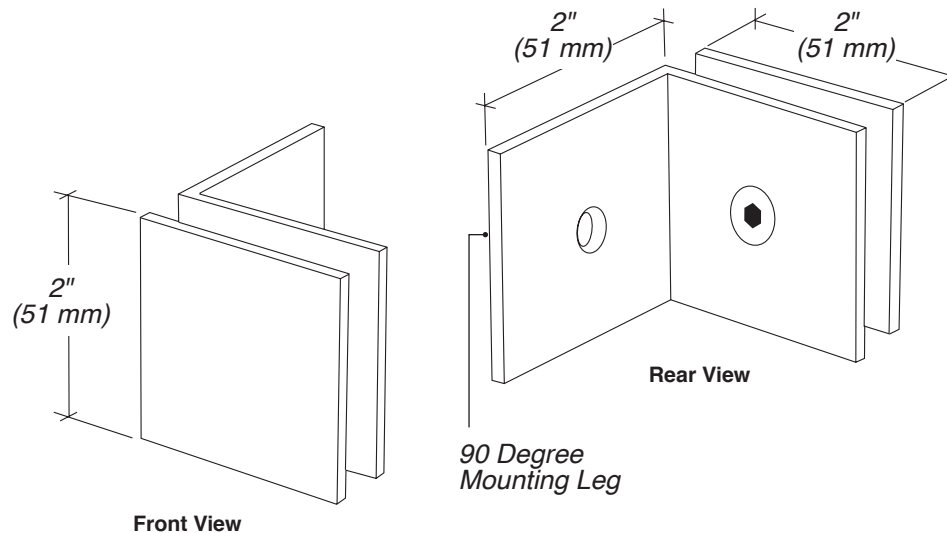
Heavy-Duty Wall Mount Clamp Square Profile With 90 Degree Large Mounting Leg
ITEM NO. CSU039

Heavy-Duty Wall Mount Clamp Beveled Profile With 90 Degree Large Mounting Leg
ITEM NO. CBU039

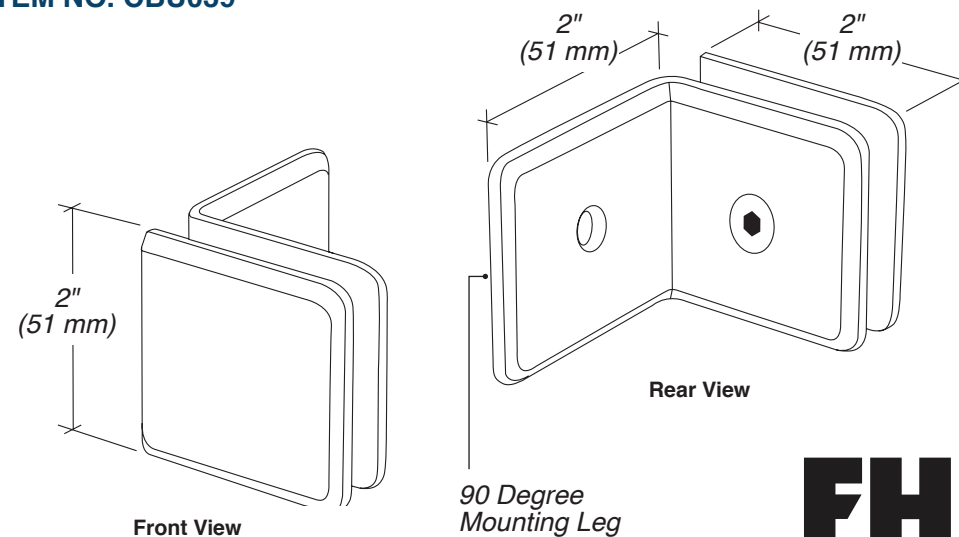
SPECIFICATIONS

Glass Sizes: 3/8" to 1/2" (10 to 12 mm) Tempered Glass Only
Construction: Solid Brass
Cutout Required: Cutout No. SD49
Includes: Clamp body, glazing gaskets, mounting screws, and fabrication template.
Use: Residential Bath and Commercial Hotel Applications

Square Profile
ITEM NO. CSU039



Beveled Profile
ITEM NO. CBU039



GASKET SPECIFICATIONS:

For 3/8" (10mm) Glass: Use One Thick Gasket On Each Side

For 1/2" (12mm) Glass: Use One Thin Gasket On Each Side

GLASS INSTRUCTIONS:

Only use tempered safety glass. To prevent damage to the clamp finish during installation, do not use power tools when installing these clamps.

CARE & CLEANING GUIDELINES:

For best results, keep the following recommendations in mind when caring for your FHC shower door hardware. Your shower door hardware should be dried daily with a soft towel or cloth to insure its original finish. Do not use harsh cleaners or chemicals on the hardware, as many of the components are coated with a clear lacquer that will become damaged beyond repair. Always test your cleaning solution in an inconspicuous area prior to cleaning the entire hardware surface. Wipe surfaces clean using a soft dampened cloth or sponge and rinse completely with warm water immediately after applying the cleaning solution. Use only small amounts of liquid, gentle cleaner. Never use abrasive products, sponges, or wire scrub brushes while cleaning hardware.

FHC[®]
FRAMELESS HARDWARE COMPANY
THE GLAZING SUPPLY COMPANY
EXPERIENCE AND INNOVATION

GLASS CLAMPS

Heavy-Duty Wall Mount Clamp Square Profile With 90 Degree Large Mounting Leg
 ITEM NO. CSU039

Heavy-Duty Wall Mount Clamp Beveled Profile With 90 Degree Small Mounting Leg
 ITEM NO. CBU039

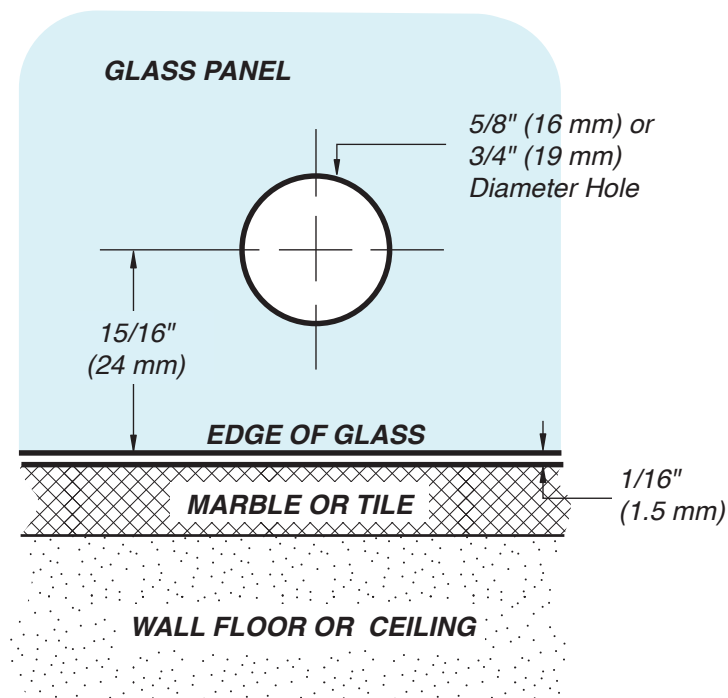
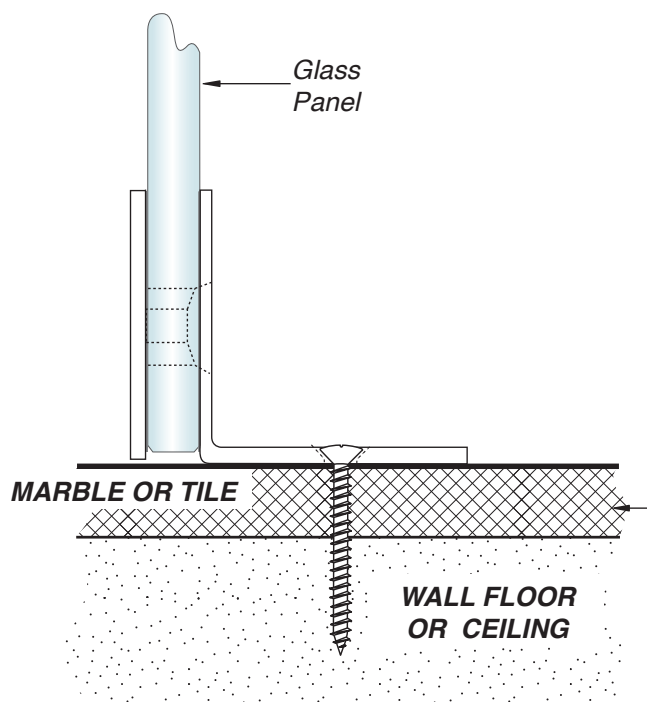


DO NOT MEASURE / SCALE DRAWING
 USE DIMENSIONS SHOWN

Cutout No. SD49

TYPICAL INSTALLATION

IMPORTANT:
 Measure from Finished
 Edge of Glass




 USE ONLY
 MONOLITHIC
 TEMPERED GLASS


 For Technical Support
 Call Toll Free in the U.S.
 (888) 295-4531