

SQUARE STYLE

"Y" In-line Wall-to-Glass Application
ITEM NO. CSU182

BEVELED STYLE

"Y" In-line Wall-to-Glass Application
ITEM NO. CBU182

SPECIFICATIONS

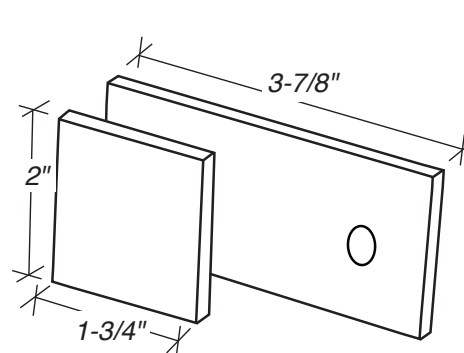
Glass Sizes: 3/8" to 1/2" (10 to 12 mm) Tempered Glass Only

Construction: Solid Brass

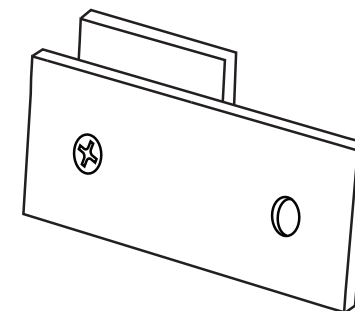
Includes: Clamp body, glazing gaskets, mounting screws, and fabrication template.

Use: Residential Bath and Commercial Hotel Applications

FHC Square "Y" Inline Glass
Clamp for Fixed Panel
ITEM NO. CSU182

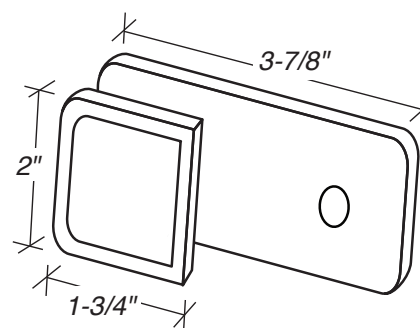


Front View

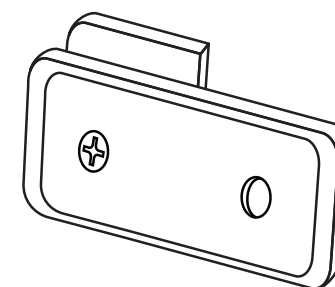


Rear View

FHC Beveled "Y" In-line Glass
Clamp for Fixed Panel
ITEM NO. CBU182



Front View



Rear View

GASKET SPECIFICATIONS:

For 3/8" (10mm) or 1/2" (12mm) Glass: Use Two Thin Gaskets On Each Side

GLASS INSTRUCTIONS:

Only use tempered safety glass. To prevent damage to the clamp finish during installation, do not use power tools when installing these clamps.

CARE & CLEANING GUIDELINES:

For best results, keep the following recommendations in mind when caring for your FHC shower door hardware. Your shower door hardware should be dried daily with a soft towel or cloth to insure its original finish. Do not use harsh cleaners or chemicals on the hardware, as many of the components are coated with a clear lacquer that will become damaged beyond repair. Always test your cleaning solution in an inconspicuous area prior to cleaning the entire hardware surface. Wipe surfaces clean using a soft dampened cloth or sponge and rinse completely with warm water immediately after applying the cleaning solution. Use only small amounts of liquid, gentle cleaner. Never use abrasive products, sponges, or wire scrub brushes while cleaning hardware.

SQUARE STYLE

“Y” In-line Wall-to-Wall Application
ITEM NO. CSU182

BEVELED STYLE

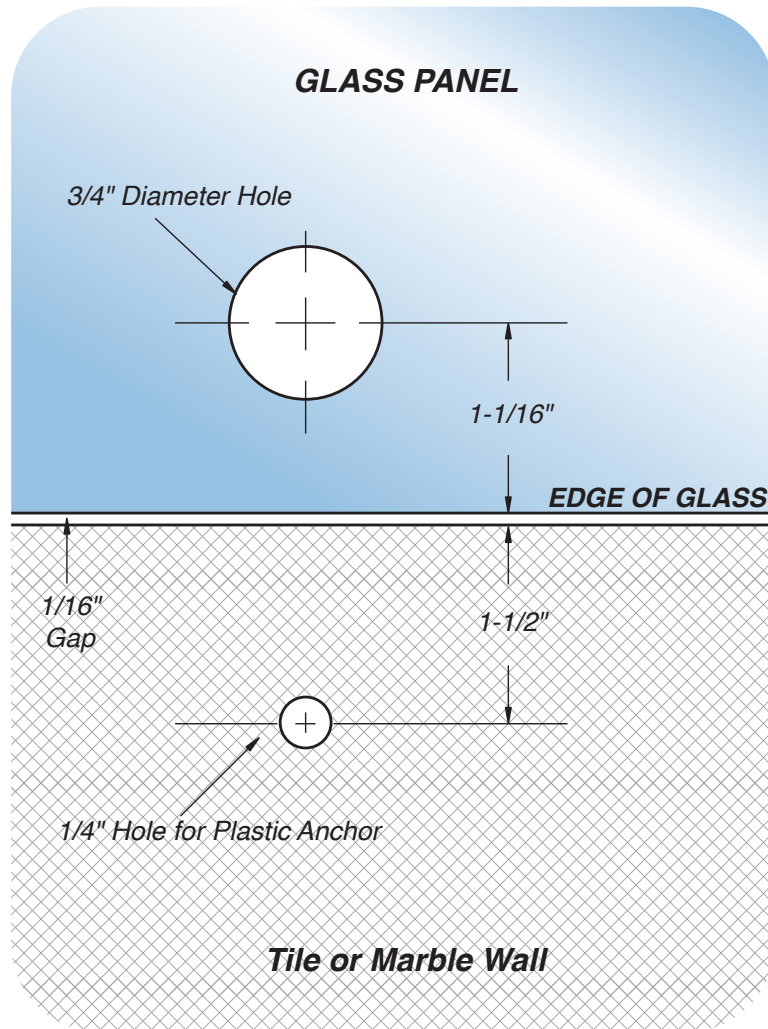
“Y” In-line Wall-to-Glass Application
ITEM NO. CBU182

DO NOT MEASURE / SCALE DRAWING
USE DIMENSIONS SHOWN

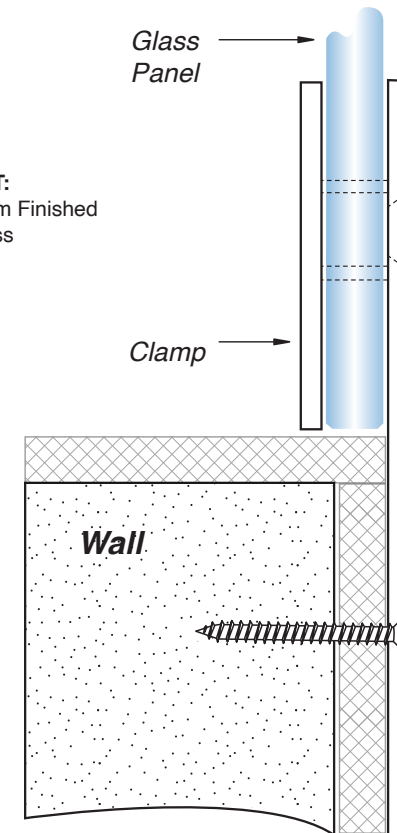


Cutout No. SD30

TYPICAL INSTALLATION



IMPORTANT:
Measure from Finished
Edge of Glass



END VIEW



USE ONLY
MONOLITHIC
TEMPERED GLASS



For Technical Support
Call Toll Free in the U.S.
(888) 295-4531