

## GLASS CLAMPS

Heavy-Duty Wall Mount Clamp Square Profile With 90 Degree Small Mounting Leg  
ITEM NO. CSU6

Heavy-Duty Wall Mount Clamp Beveled Profile With 90 Degree Small Mounting Leg  
ITEM NO. CBU6

### SPECIFICATIONS

**Glass Sizes:** 3/8" to 1/2" (10 to 12 mm) Tempered Glass Only  
**Construction:** Solid Brass  
**Cutout Required:** Cutout No. SD49  
**Includes:** Clamp body, glazing gaskets, mounting screws, and fabrication template.  
**Use:** Residential Bath and Commercial Hotel Applications

### GASKET SPECIFICATIONS:

**For 3/8" (10mm) Glass:** Use One Thick Gasket On Each Side

**For 1/2" (12mm) Glass:** Use One Thin Gasket On Each Side

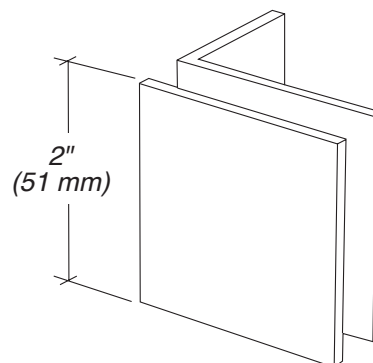
### GLASS INSTRUCTIONS:

Only use tempered safety glass. To prevent damage to the clamp finish during installation, do not use power tools when installing these clamps.

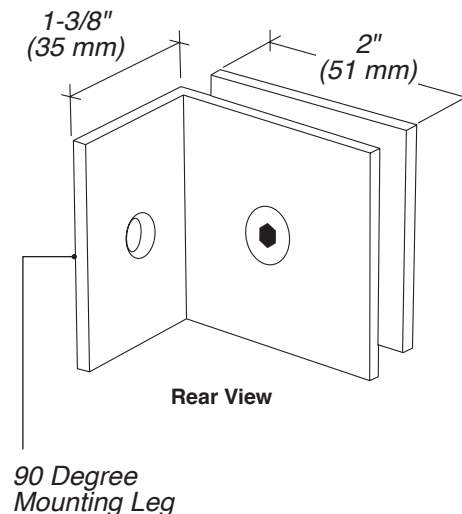
### CARE & CLEANING GUIDELINES:

For best results, keep the following recommendations in mind when caring for your FHC shower door hardware. Your shower door hardware should be dried daily with a soft towel or cloth to insure its original finish. Do not use harsh cleaners or chemicals on the hardware, as many of the components are coated with a clear lacquer that will become damaged beyond repair. Always test your cleaning solution in an inconspicuous area prior to cleaning the entire hardware surface. Wipe surfaces clean using a soft dampened cloth or sponge and rinse completely with warm water immediately after applying the cleaning solution. Use only small amounts of liquid, gentle cleaner. Never use abrasive products, sponges, or wire scrub brushes while cleaning hardware.

### Square Profile ITEM NO. CSU6



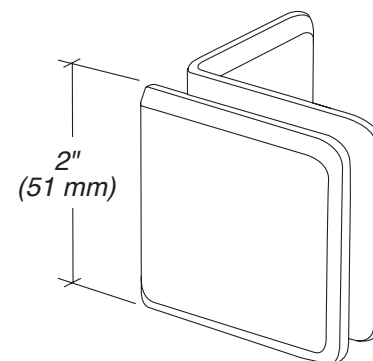
Front View



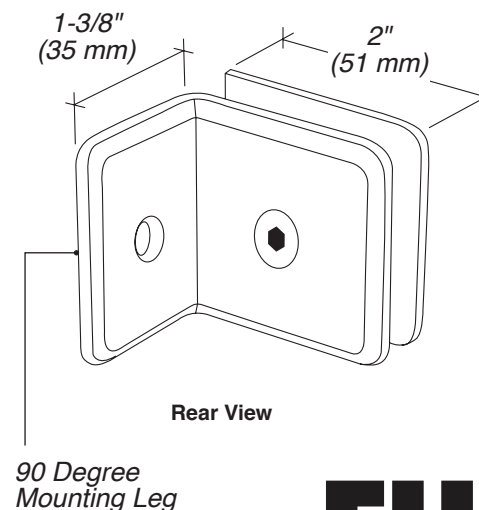
Rear View

90 Degree  
Mounting Leg

### Beveled Profile ITEM NO. CBU6



Front View



Rear View

90 Degree  
Mounting Leg

**FHC**<sup>®</sup>  
FRAMELESS HARDWARE COMPANY  
THE GLAZING SUPPLY COMPANY  
EXPERIENCE AND INNOVATION

# GLASS CLAMPS

Heavy-Duty Wall Mount Clamp Square Profile With 90 Degree Small Mounting Leg  
 ITEM NO. CSU6

Heavy-Duty Wall Mount Clamp Beveled Profile With 90 Degree Small Mounting Leg  
 ITEM NO. CBU6

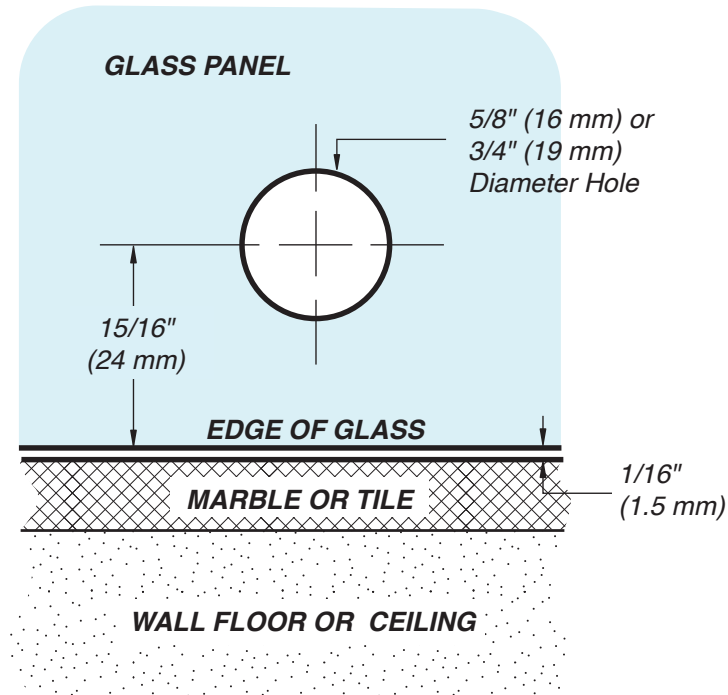
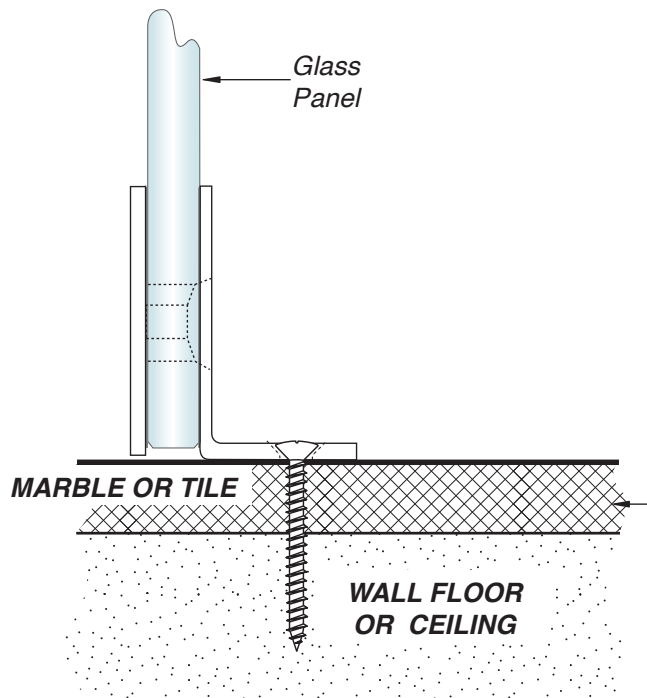


DO NOT MEASURE / SCALE DRAWING  
 USE DIMENSIONS SHOWN

Cutout No. SD49

## TYPICAL INSTALLATION

**IMPORTANT:**  
 Measure from Finished  
 Edge of Glass



  
 USE ONLY  
 MONOLITHIC  
 TEMPERED GLASS

  
 For Technical Support  
 Call Toll Free in the U.S.  
 (888) 295-4531