

CAMBRIA

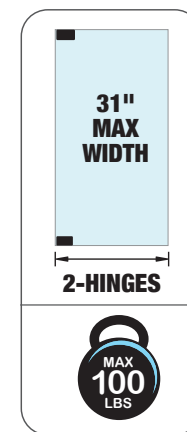
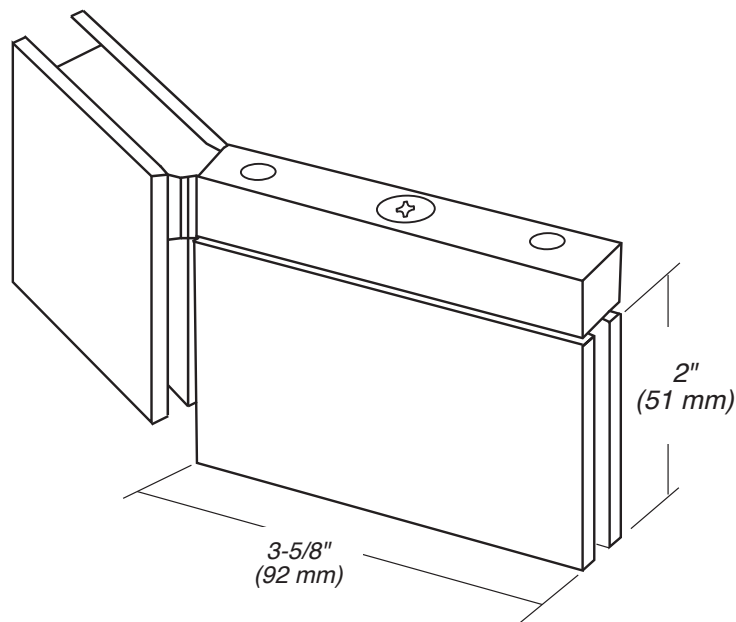
135° Glass-to-Glass Hinge With Attached U-Clamp

ITEM NO. CAM0735L (Left Hinge)

ITEM NO. CAM0735R (Right Hinge)

SPECIFICATIONS

Glass Sizes: 3/8" (10 mm) Tempered Glass Only
Construction: Solid Brass
Closing Type: Full Rotation Self-Centering
 When Within 15 Degrees of Closed Position
Cutout Required: See Options
Includes: Hinge body, glazing gaskets, mounting screws, allen head/phillips head cover plate screws, and fabrication template.
Use: Residential Bath and Commercial Hotel Applications



GASKET SPECIFICATIONS:

For 3/8" (10mm) Glass: Use One Thick Gasket on One Side and One Thin Gasket on the Other Side

GLASS INSTRUCTIONS:

Only use tempered safety glass. To prevent damage to the hinge finish during installation, **do not** use power tools when installing these hinges.

IMPORTANT INFORMATION:

The Cambria Series Pivot Hinge offers advantages over a standard shower door hinge. The pivot hinge design allows most of the door's weight to primarily rest on the bottom pivot fitting, giving more stability and a reduced load. Pivot hinge comes factory set at a standard closed position, an optional 5 degree pivot pin set (Item # P1VPN38) is also available and can be installed on the jobsite. This option allows an additional 5 degrees of closing for jobs that require a firmer, positive position against a jamb or seal.

CARE & CLEANING GUIDELINES:

For best results, keep the following recommendations in mind when caring for your FHC shower door hardware. Your shower door should be dried daily with a soft towel or cloth to ensure its original finish. Do not use harsh cleaners or chemicals on the hardware, as many of the components are coated with a clear lacquer that will become damaged beyond repair. Always test your cleaning solution in an inconspicuous area prior to cleaning the entire hardware surface. Wipe surfaces clean using a soft, dampened cloth or sponge, and rinse completely with warm water immediately after applying the cleaning solution. Use only small amounts of liquid, gentle cleaner. **Never** use abrasive products, sponges, or wire scrub brushes while cleaning hardware.

MAINTENANCE:

FHC's hinges come factory greased for a silent, hassle-free experience. If there is any noticeable squeaking that occurs after installation, it is recommended to apply a few drops of (3 in 1) multi-purpose oil to the hinge, at the nylon washer/pivot location. The lubricant will penetrate the hinge crevices, reducing friction, cleaning grime, and/or buildup. Spray lubricants are prohibited. If, for some reason, the hinge is disassembled during maintenance, use a small amount of white lithium grease to lubricate the interior hinge components.

MAXIMUM DOOR CAPACITY	3/8" (10 mm) GLASS Approx. 5 lb/ft ²	
	WEIGHT	WIDTH
USING 2 HINGES	100 LBS. (46 kg)	31" (787mm)

NOTE: Do not exceed either maximum weight or width when choosing proper quantity of hinges.

CAMBRIA

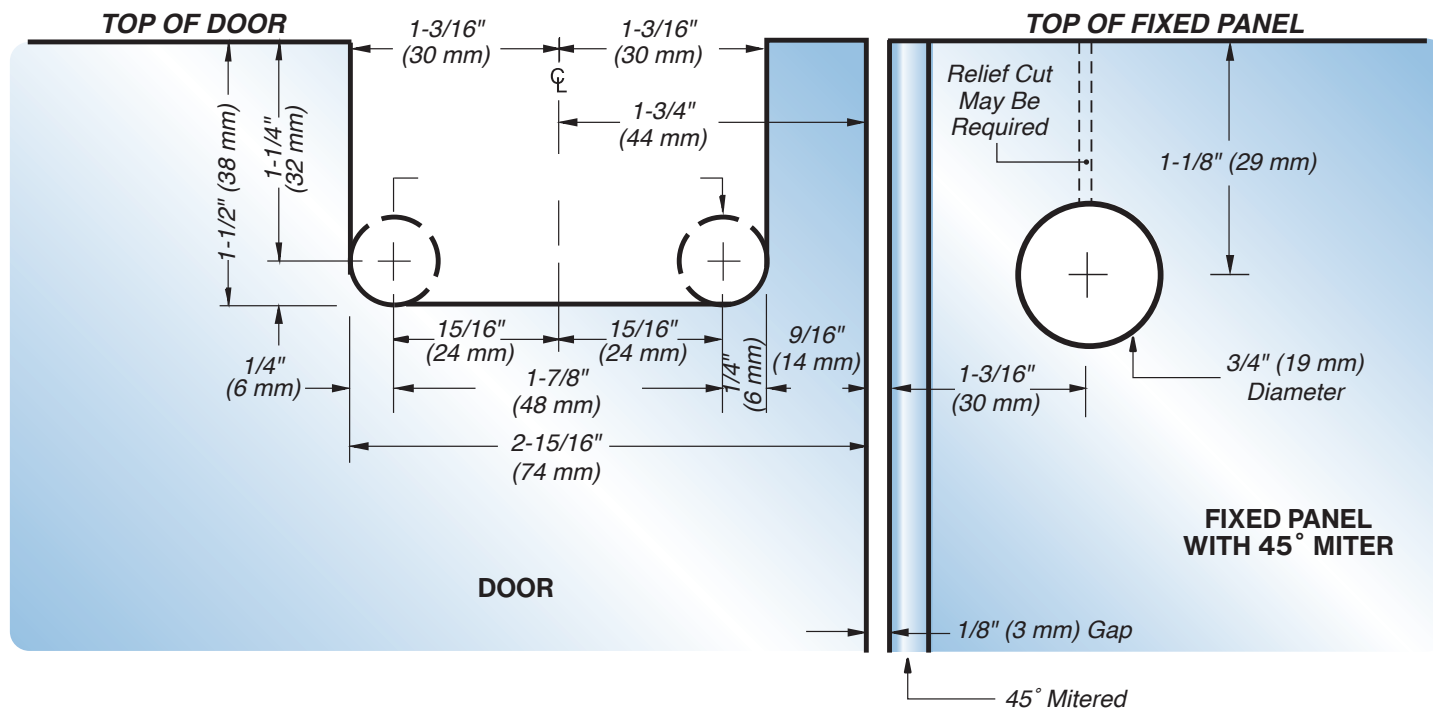
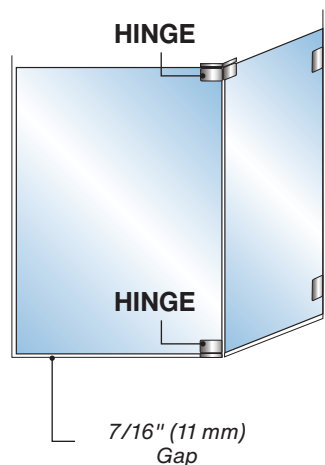
135° Glass-to-Glass Hinge With Attached U-Clamp

ITEM NO. CAM0735L (Left Hinge)

ITEM NO. CAM0735R (Right Hinge)

Edge Mount Preferred Method

TYPICAL INSTALLATION



USE ONLY HINGE
MONOLITHIC
TEMPERED GLASS



For Technical Support
Call Toll Free in the U.S.
(888) 295-4531

CAMBRIA

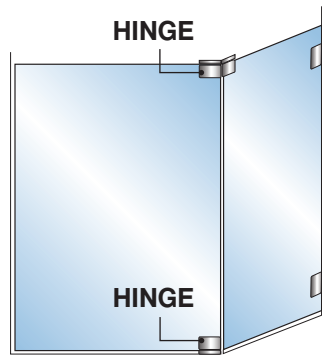
135° Glass-to-Glass Hinge With Attached U-Clamp

ITEM NO. CAM0735L (Left Hinge)

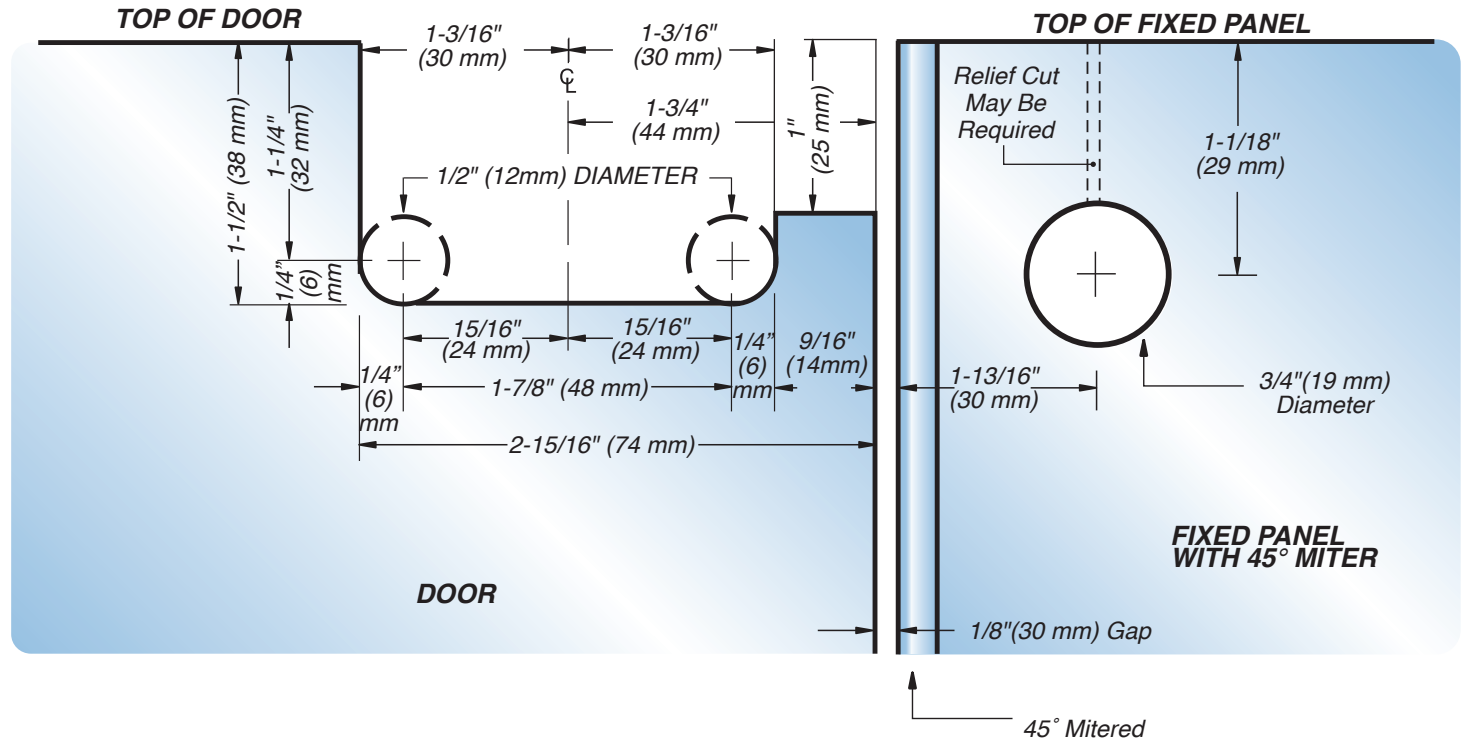
ITEM NO. CAM0735R (Right Hinge)

Edge Mount Alternate Method

TYPICAL INSTALLATION



7/16" (11 mm)
Gap



USE ONLY HINGE
MONOLITHIC
TEMPERED GLASS



For Technical Support
Call Toll Free in the U.S.
(888) 295-4531

FRAMELESS HARDWARE COMPANY

P.O. Box 1906, South Gate, CA 90280

Toll Free: (888) 295-4531

Fax: (323) 336-8307

Web: fhc-usa.com

FHC[®]
FRAMELESS HARDWARE COMPANY
THE GLAZING SUPPLY COMPANY
EXPERIENCE AND INNOVATION

CAMBRIA

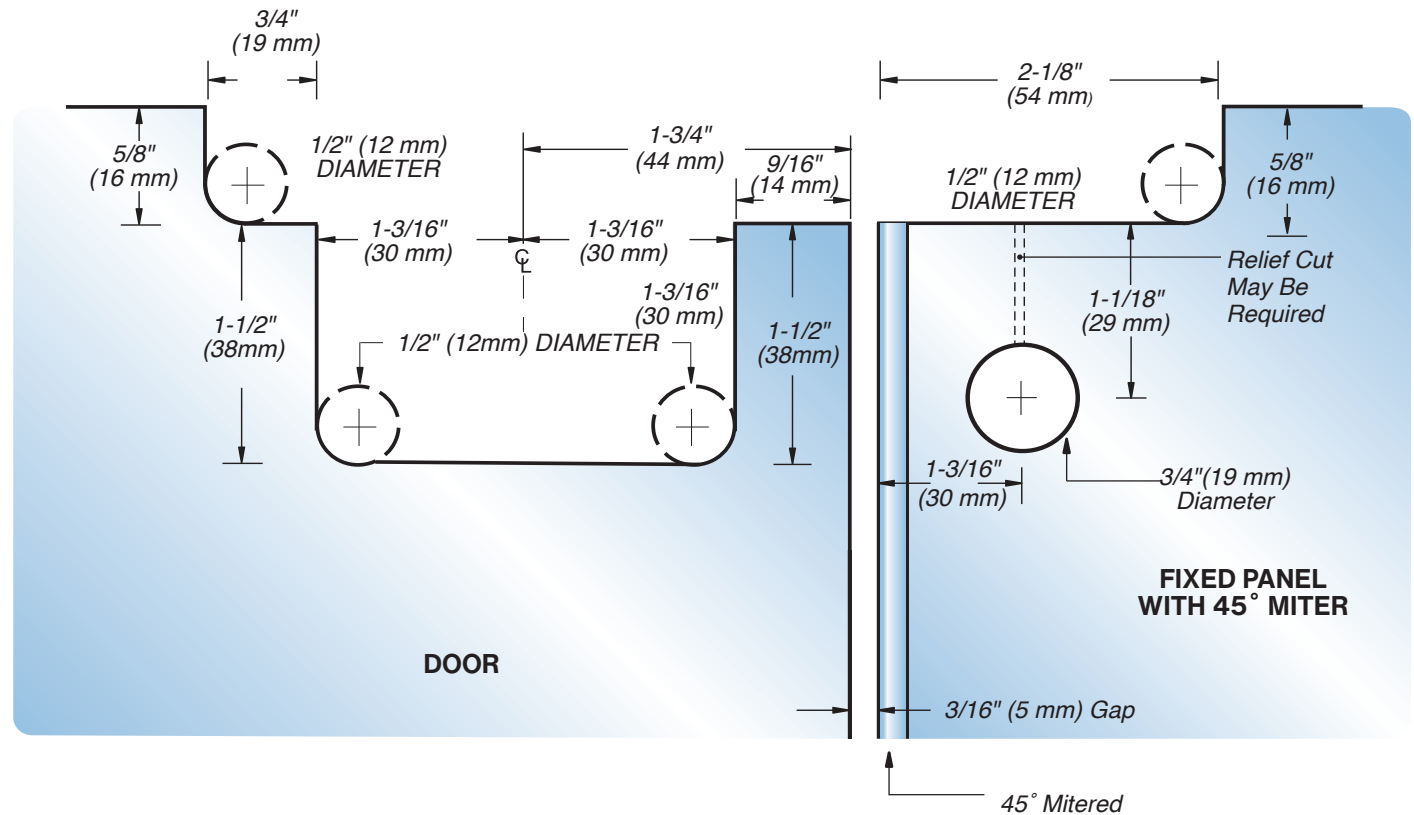
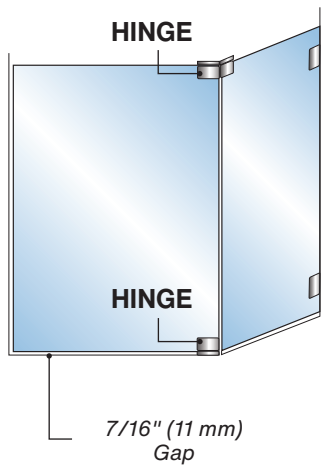
135° Glass-to-Glass Hinge With Attached U-Clamp

ITEM NO. CAM0735L (Left Hinge)

ITEM NO. CAM0735R (Right Hinge)

Top Flush Mount Method

TYPICAL INSTALLATION



USE ONLY HINGE
MONOLITHIC
TEMPERED GLASS



For Technical Support
Call Toll Free in the U.S.
(888) 295-4531

FRAMELESS HARDWARE COMPANY

P.O. Box 1906, South Gate, CA 90280

Toll Free: (888) 295-4531 | Fax: (323) 336-8307 | Web: fhc-usa.com

FHC[®]
FRAMELESS HARDWARE COMPANY
THE GLAZING SUPPLY COMPANY
EXPERIENCE AND INNOVATION

CAMBRIA

135° Glass-to-Glass Hinge With Attached U-Clamp

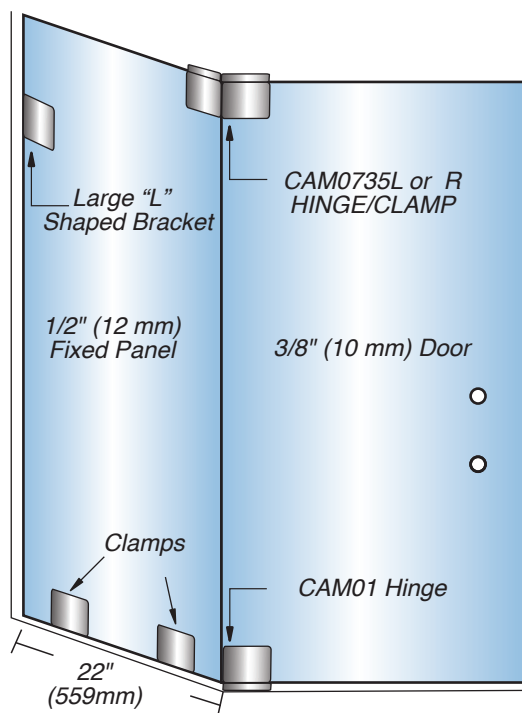
ITEM NO. CAM0735L (Left Hinge)

ITEM NO. CAM0735R (Right Hinge)

Cambria Series Top or Bottom Mount Pivot Hinge With Attached U-Clamp For 3/8" (10 mm) Thick Tempered Glass

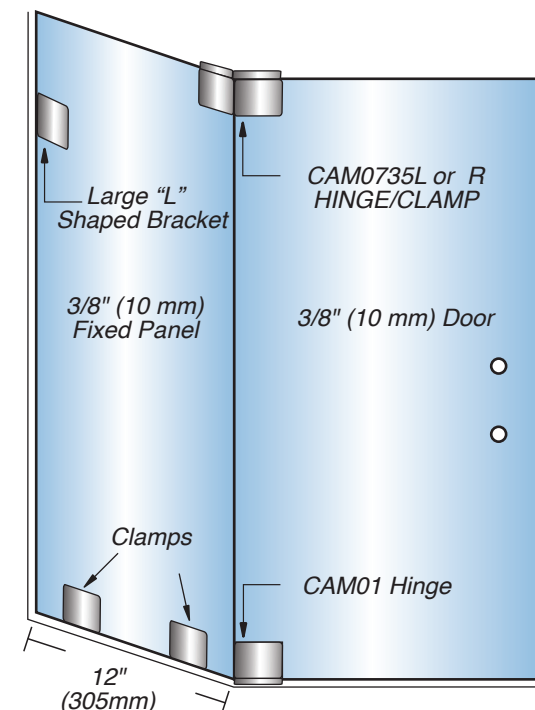
DESIGN AND INSTALLATION CRITERIA:

- Door Glass to Be 3/8" (10mm) thick
- Fixed Panel to Be 3/8" or 1/2" (10 or 12mm) Thick
- 3/8" (10mm) Glass Fixed Panel From Which Door is Hinged/Clamped Can't Exceed 12" (305mm) Width, or 84" (2.13m) in Height
- 1/2" (12mm) Glass Fixed Panel From Which Door is Hinged/Clamped Can't Exceed 22" (559mm) in Width, or 84" (2.13m) in Height
- Door Width Not to Exceed 31" (787mm)
- Door Weight Not to Exceed 100 Pounds (45kg)
- Must Use Large "L" Shaped Wall Mounting Brackets Fastened to Vertical Wall On the Fixed Panel From Which the Door is Hinged/Clamped
- Only a Fixed Panel Fastened to a Vertical Wall Can Be Used to Hinge/Clamp from No Hinging/Clamping From a Fixed Panel Fastened to Another Fixed Panel
- Fixed Panel From Which the Door Hinges/Clamps Must Have Valid Bottom Support



TYPICAL INSTALLATION:

Showing 22" Wide (559 mm)
1/2" (12 mm) Thick Fixed Panel
CAM01 Hinge Used at Bottom of Door



TYPICAL INSTALLATION:

Showing 12" Wide (305 mm)
3/8" (10 mm) Thick Fixed Panel
CAM01 Hinge Used at Top and Bottom of Door



USE ONLY
MONOLITHIC
TEMPERED GLASS



For Technical Support
Call Toll Free in the U.S.
(888) 295-4531