

CARMEL SERIES SLIDERS

PROJECT NAME
 SUBMITTAL TYPE
 ITEMS COVERED IN SUBMITTAL

PROJECT ADDRESS 1
 PROJECT ADDRESS 2

PROJECT SPECIFICATIONS	
SYSTEM	FHC CARMEL SERIES SLIDING DOOR KIT
MATERIAL FINISH	XXX
GLASS SCHEDULE	XXX

TABLE OF CONTENTS:		
SHEET	DWG	DESCRIPTION
1	1.00	COVER SHEET
2	3.00	ELEVATIONS
3	3.01	ELEVATIONS
4	3.02	ELEVATIONS
5	3.03	ELEVATIONS
6	3.04	ELEVATIONS
7	3.05	ELEVATIONS
8	3.06	ELEVATIONS
9	3.07	ELEVATIONS
10	3.08	ELEVATIONS
11	3.09	ELEVATIONS
12	4.00	HORIZONTAL DETAILS
13	4.01	HORIZONTAL DETAILS
14	5.00	HORIZONTAL DETAILS
15	5.01	HORIZONTAL DETAILS
16	5.02	HORIZONTAL DETAILS
17	5.03	HORIZONTAL DETAILS



Architect: _____
 Phone: _____
 Fax: _____
 Contact: _____

Job Name: _____
 Phone: _____
 Fax: _____
 Contact: _____

Customer: _____
 Phone: _____
 Fax: _____
 Contact: _____

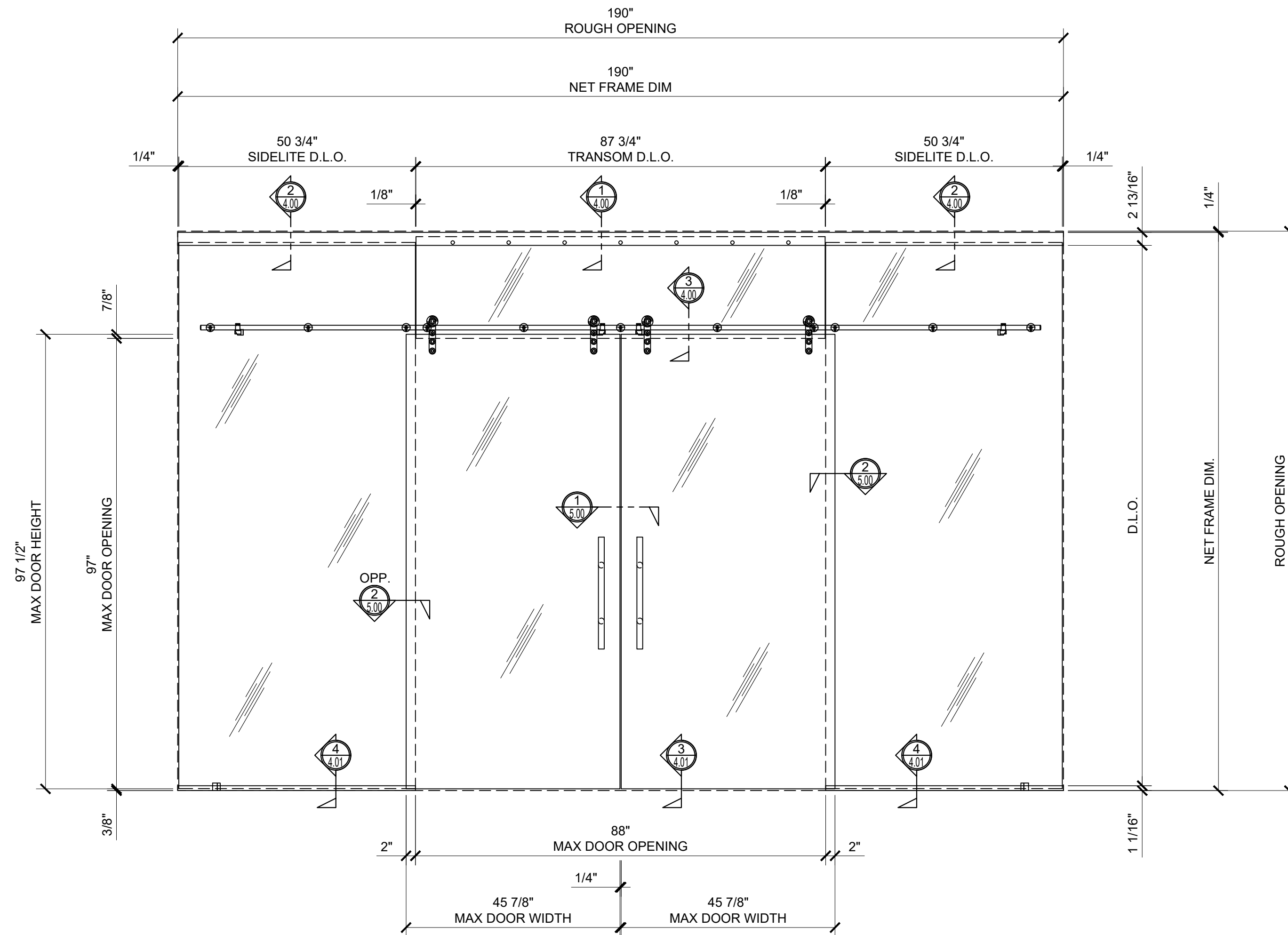
REV#	DATE	DRAWN BY
1		
2		
3		
4		
5		
6		

Drawn By: M.D.
 Checked By: -
 Date: 05.01.23
 Scale: AS NOTED
 Project #: 000000

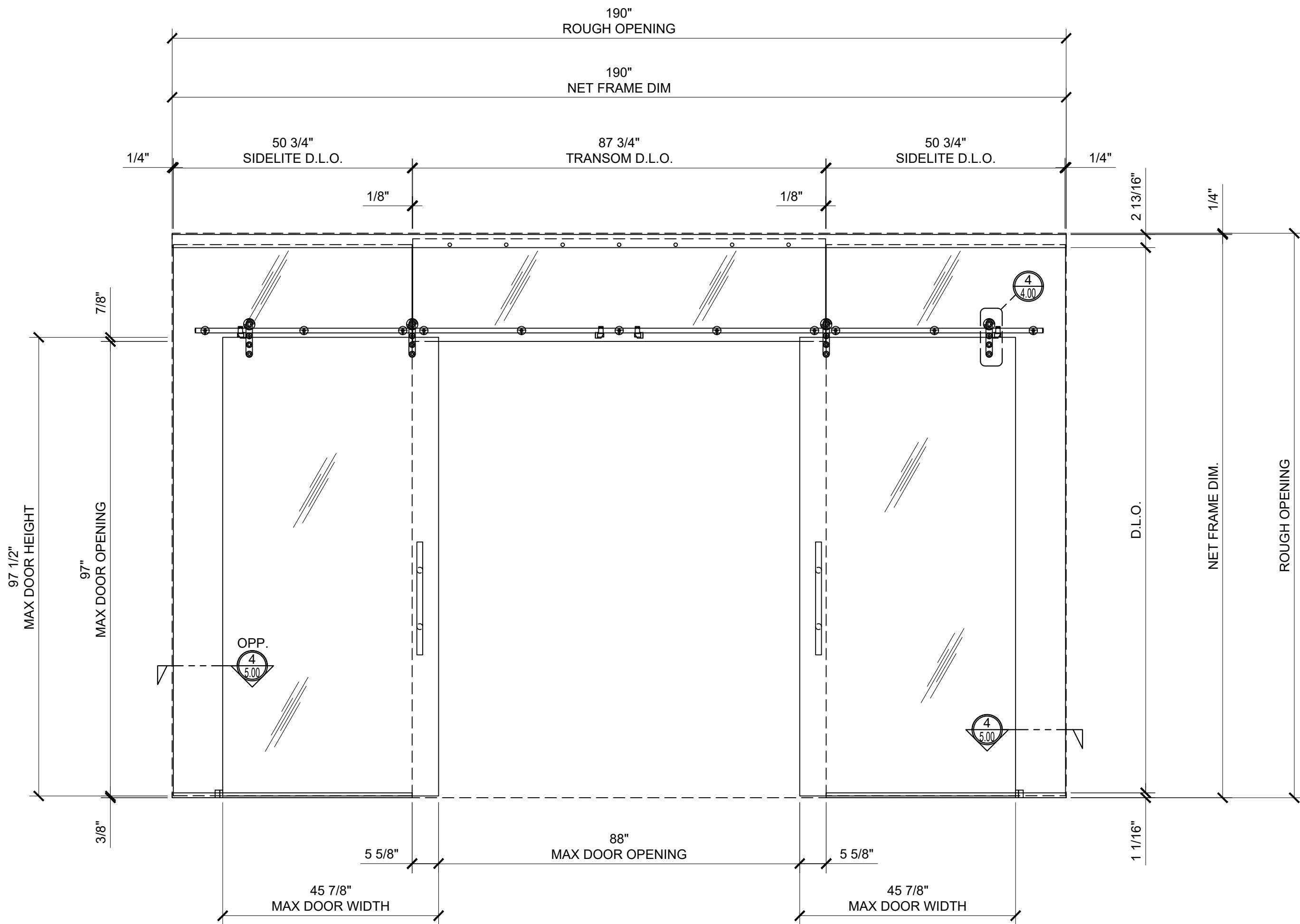
Sheet No.
1.00

**FHC CSGG01 SINGLE DOOR (GLASS MOUNT) X2 CARMEL SERIES SLIDER
 (W/ LADDER PULLS)**

- DESIGNED FOR 3/8" - 1/2" TEMPERED GLASS AND 9/16" LAMINATED GLASS
- PRECISION ADJUSTABLE ANTI-LIFT TOP ROLLERS
- COMPLETE INSTALLATION KIT (GLASS NOT INCLUDED)
- FAST AND TROUBLE-FREE INSTALLATION
- AVAILABLE IN A BRUSHED / POLISHED STAINLESS AND MATTE BLACK



① CARMEL SERIES DOOR (CLOSED)
 ARCH REF: NONE 1"-1'-0"



② CARMEL SERIES DOOR (OPEN)
 ARCH REF: NONE 1"-1'-0"

Architect: _____ Phone: _____
 Fax: _____ Contact: _____

Job Name: _____ Phone: _____
 Fax: _____ Contact: _____

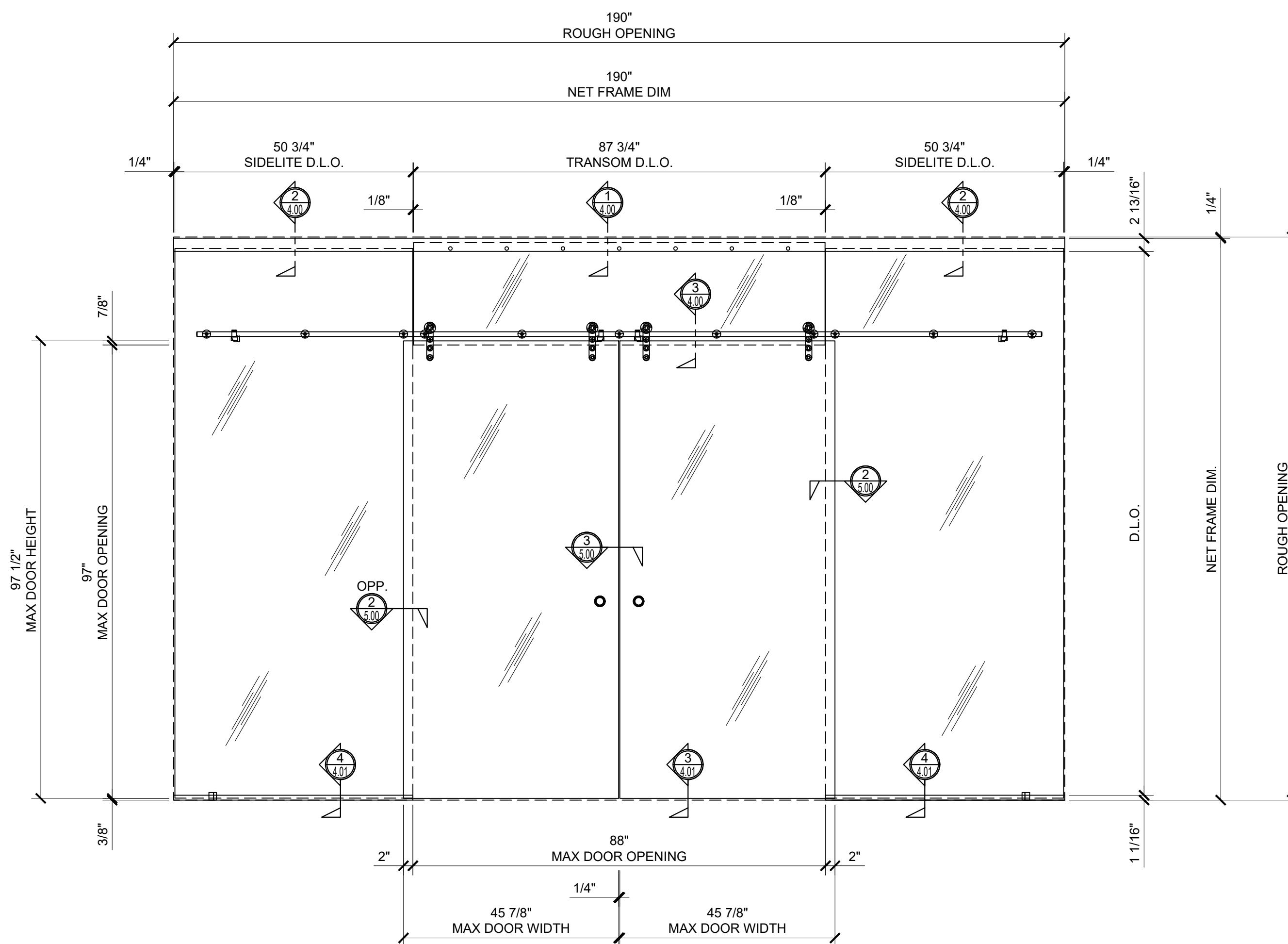
Customer: _____ Phone: _____
 Fax: _____ Contact: _____

REV#	DATE	DRAWN BY
0		
1		
2		
3		
4		
5		
6		

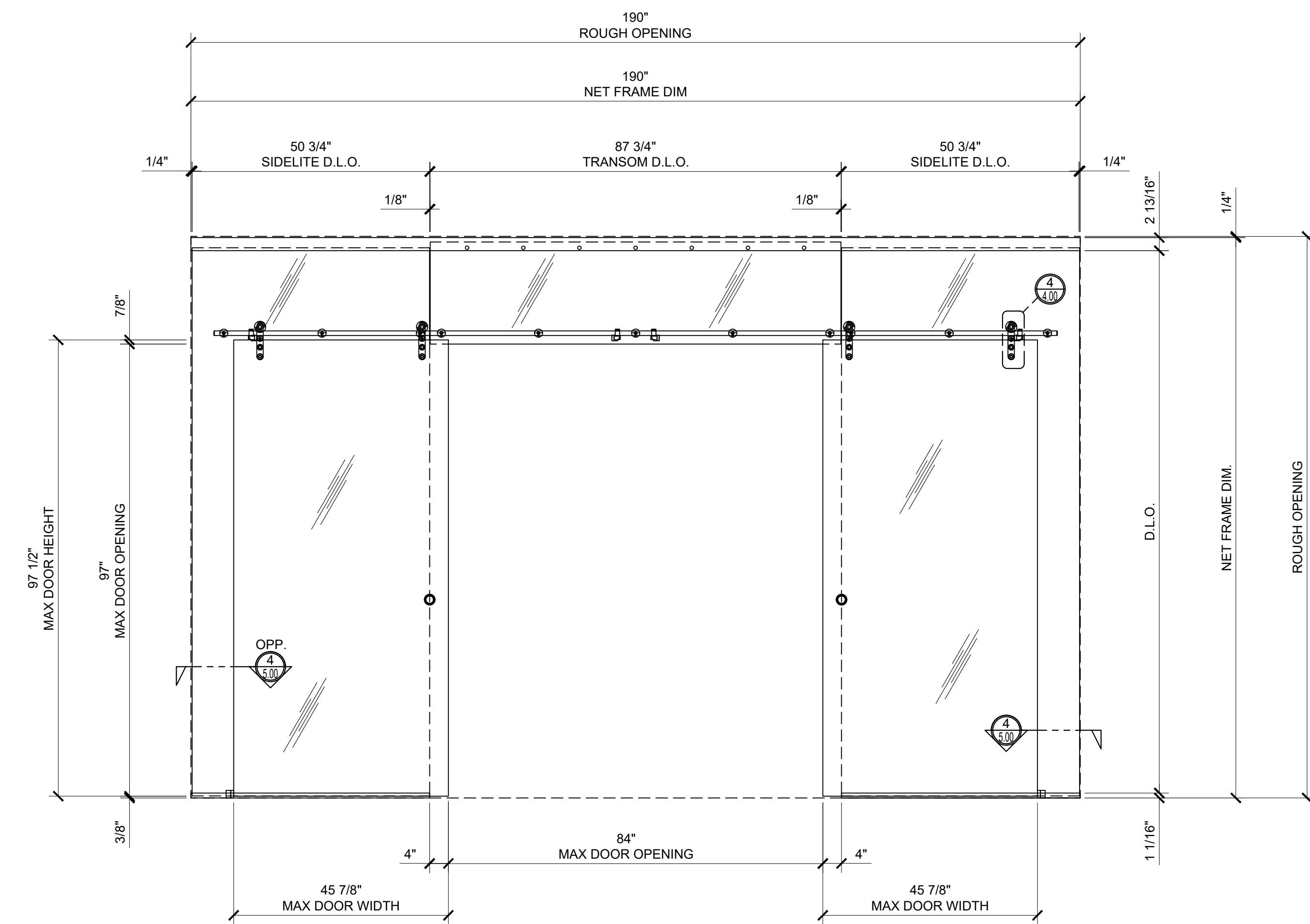
Drawn By: M.D.
 Checked By: -
 Date: 05.01.23
 Scale: AS NOTED
 Project #: 000000

FHC CSGG01 SINGLE DOOR (GLASS MOUNT) X2 CARMEL SERIES SLIDER

- DESIGNED FOR 3/8" - 1/2" TEMPERED GLASS AND 9/16" LAMINATED GLASS
- PRECISION ADJUSTABLE ANTI-LIFT TOP ROLLERS
- COMPLETE INSTALLATION KIT (GLASS NOT INCLUDED)
- FAST AND TROUBLE-FREE INSTALLATION
- AVAILABLE IN A BRUSHED / POLISHED STAINLESS AND MATTE BLACK



① CARMEL SERIES DOOR (CLOSED)
 ARCH REF: NONE 1"=1'-0"



② CARMEL SERIES DOOR (OPEN)
 ARCH REF: NONE 1"=1'-0"

Architect: _____ Phone: _____
 Fax: _____ Contact: _____

Job Name: _____ Phone: _____
 Fax: _____ Contact: _____

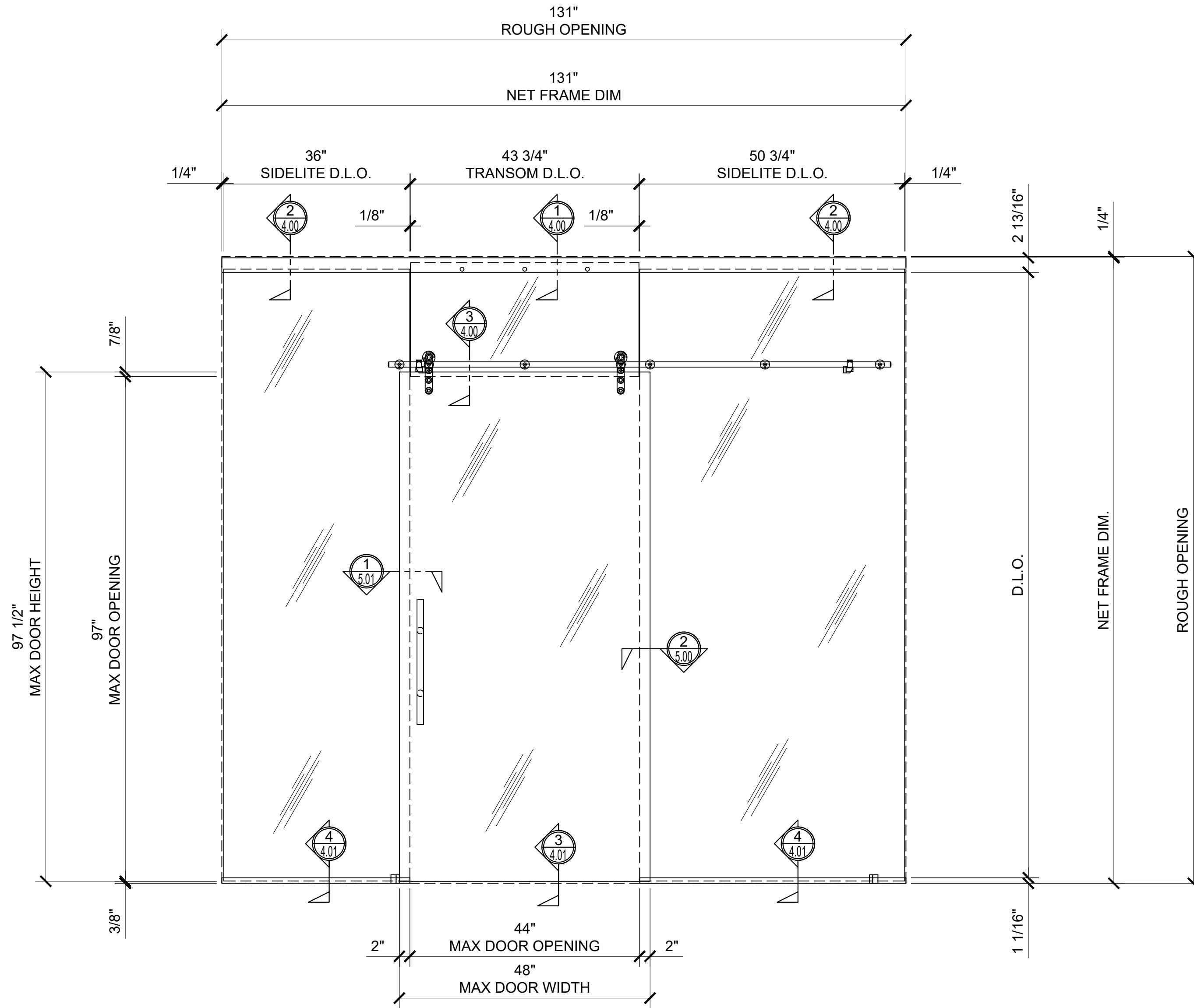
Customer: _____ Phone: _____
 Fax: _____ Contact: _____

REV#	DATE	DRAWN BY
0		
1		
2		
3		
4		
5		
6		

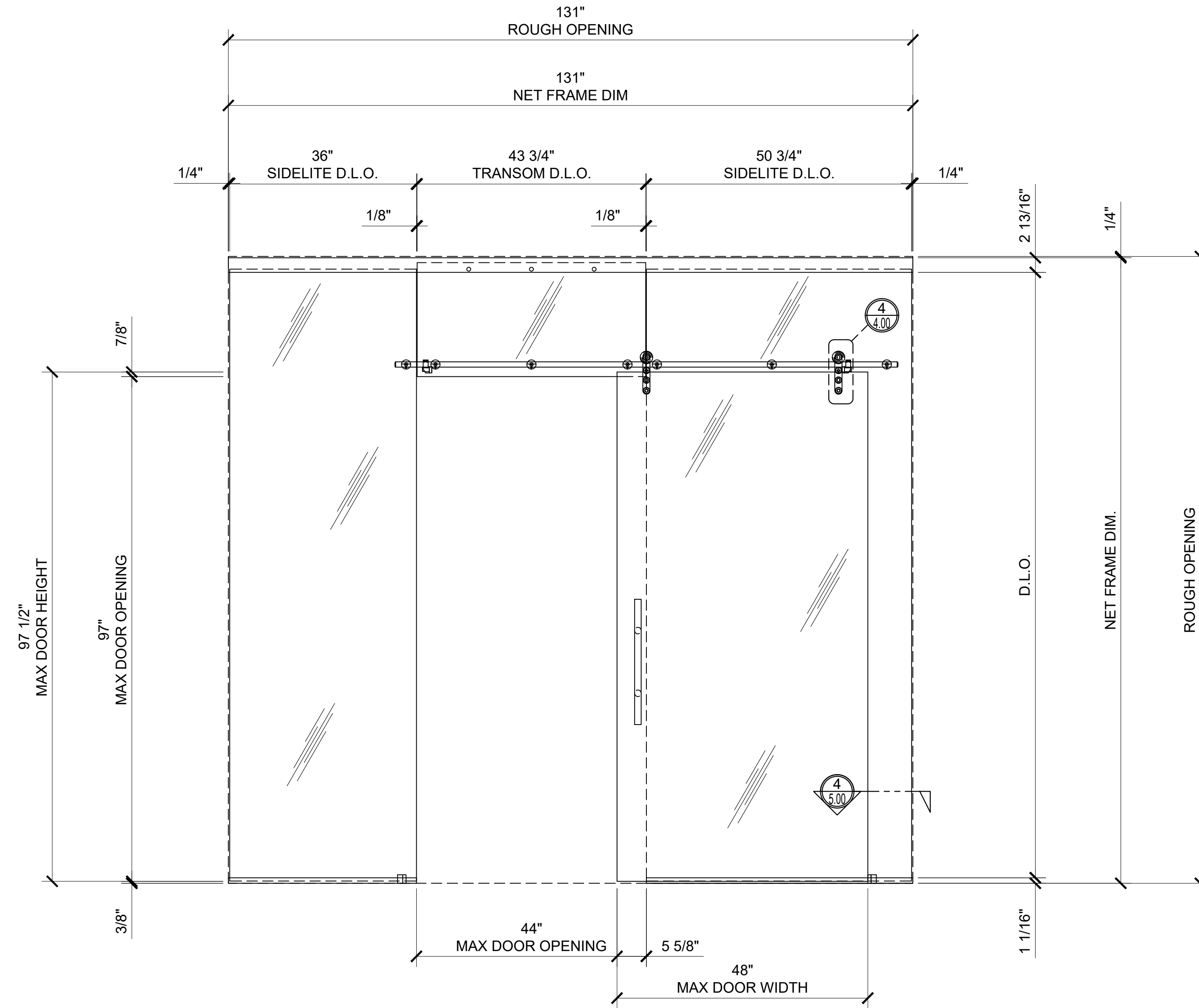
Drawn By: M.D.
 Checked By: -
 Date: 05.01.23
 Scale: AS NOTED
 Project #: 000000

- DESIGNED FOR 3/8" - 1/2" TEMPERED GLASS AND 9/16" LAMINATED GLASS
- PRECISION ADJUSTABLE ANTI-LIFT TOP ROLLERS
- COMPLETE INSTALLATION KIT (GLASS NOT INCLUDED)
- FAST AND TROUBLE-FREE INSTALLATION
- AVAILABLE IN A BRUSHED / POLISHED STAINLESS AND MATTE BLACK

**FHC CSGG01 SINGLE DOOR (GLASS MOUNT) CARMEL SERIES SLIDER
 (W/ LADDER PULLS)**



① CARMEL SERIES DOOR (CLOSED)
 ARCH REF: NONE 1"=1'-0"



② CARMEL SERIES DOOR (OPEN)
 ARCH REF: NONE 1"=1'-0"

Architect: Phone: Fax: Contact:

Job Name: Phone: Fax: Contact:

Customer: Phone: Fax: Contact:

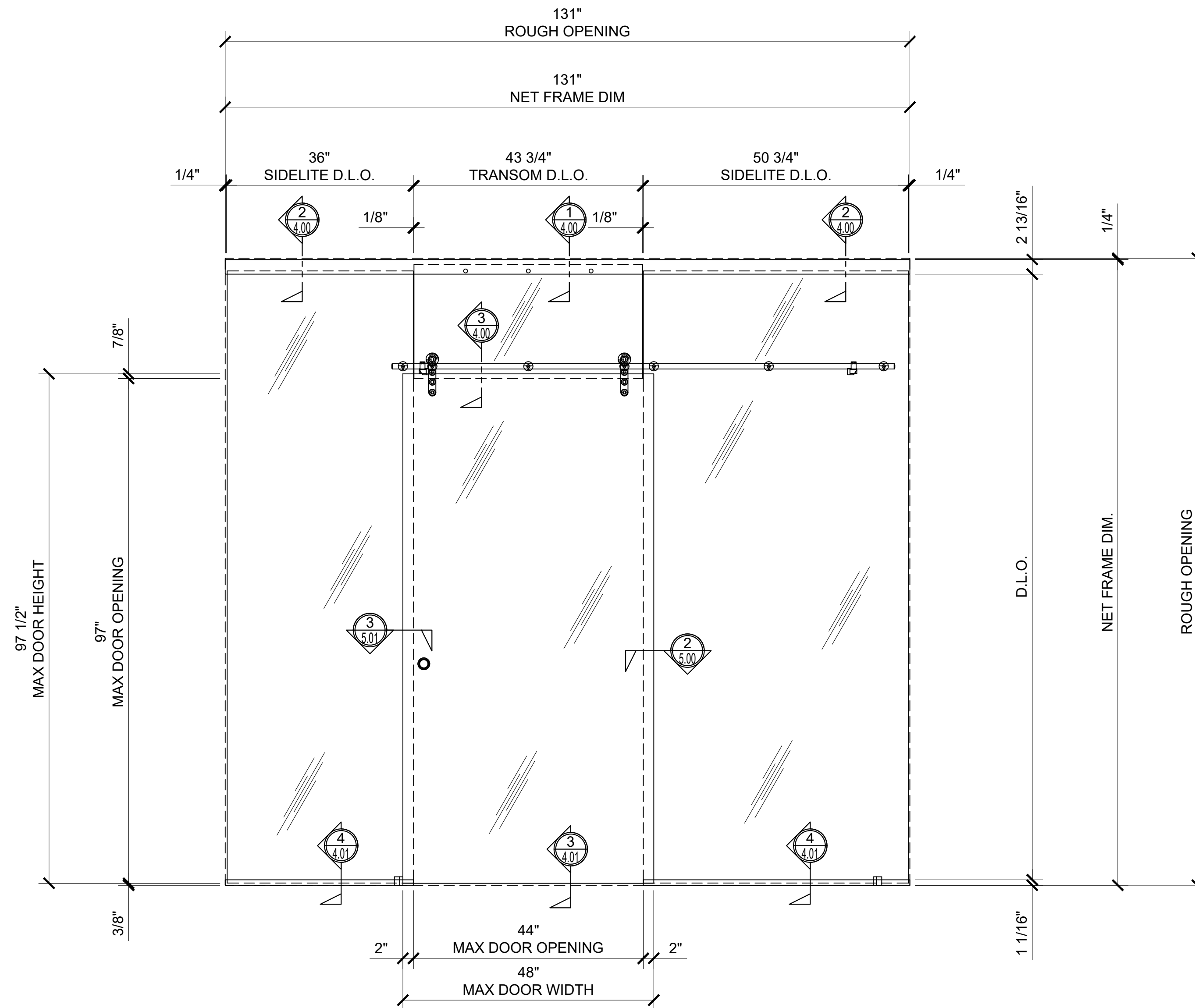
REV#	DATE	DRAWN BY
1		
2		
3		
4		
5		
6		

Drawn By: M.D.
 Checked By: -
 Date: 05.01.23
 Scale: AS NOTED
 Project #: 000000

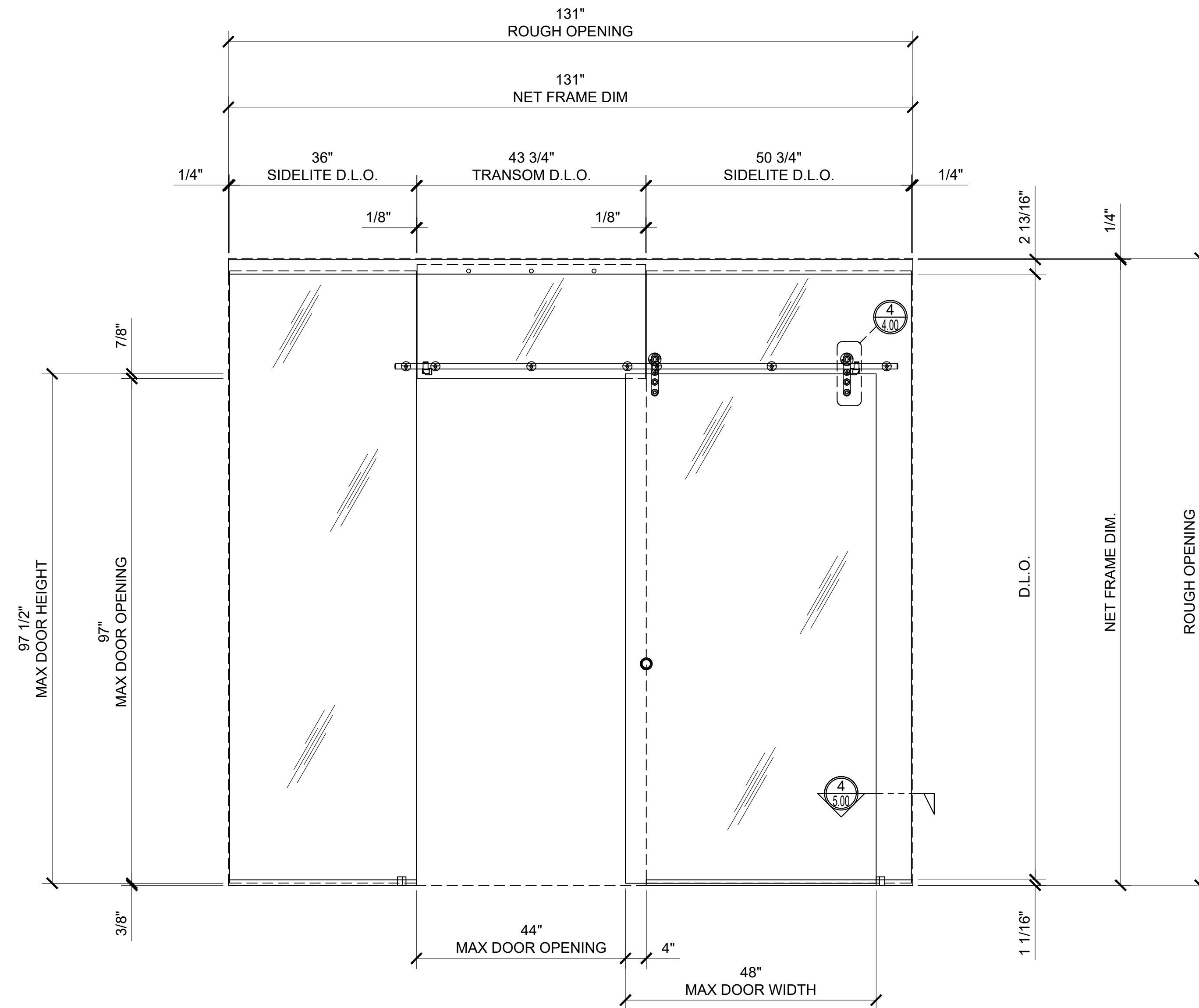
Sheet No.

- DESIGNED FOR 3/8" - 1/2" TEMPERED GLASS AND 9/16" LAMINATED GLASS
- PRECISION ADJUSTABLE ANTI-LIFT TOP ROLLERS
- COMPLETE INSTALLATION KIT (GLASS NOT INCLUDED)
- FAST AND TROUBLE-FREE INSTALLATION
- AVAILABLE IN A BRUSHED / POLISHED STAINLESS AND MATTE BLACK

FHC CSGG01 SINGLE DOOR (GLASS MOUNT) CARMEL SERIES SLIDER



① CARMEL SERIES DOOR (CLOSED)
 ARCH REF: NONE 1"=1'-0"



② CARMEL SERIES DOOR (OPEN)
 ARCH REF: NONE 1"=1'-0"

Architect: Phone: Fax: Contact:

Job Name: Phone: Fax: Contact:

Customer: Phone: Fax: Contact:

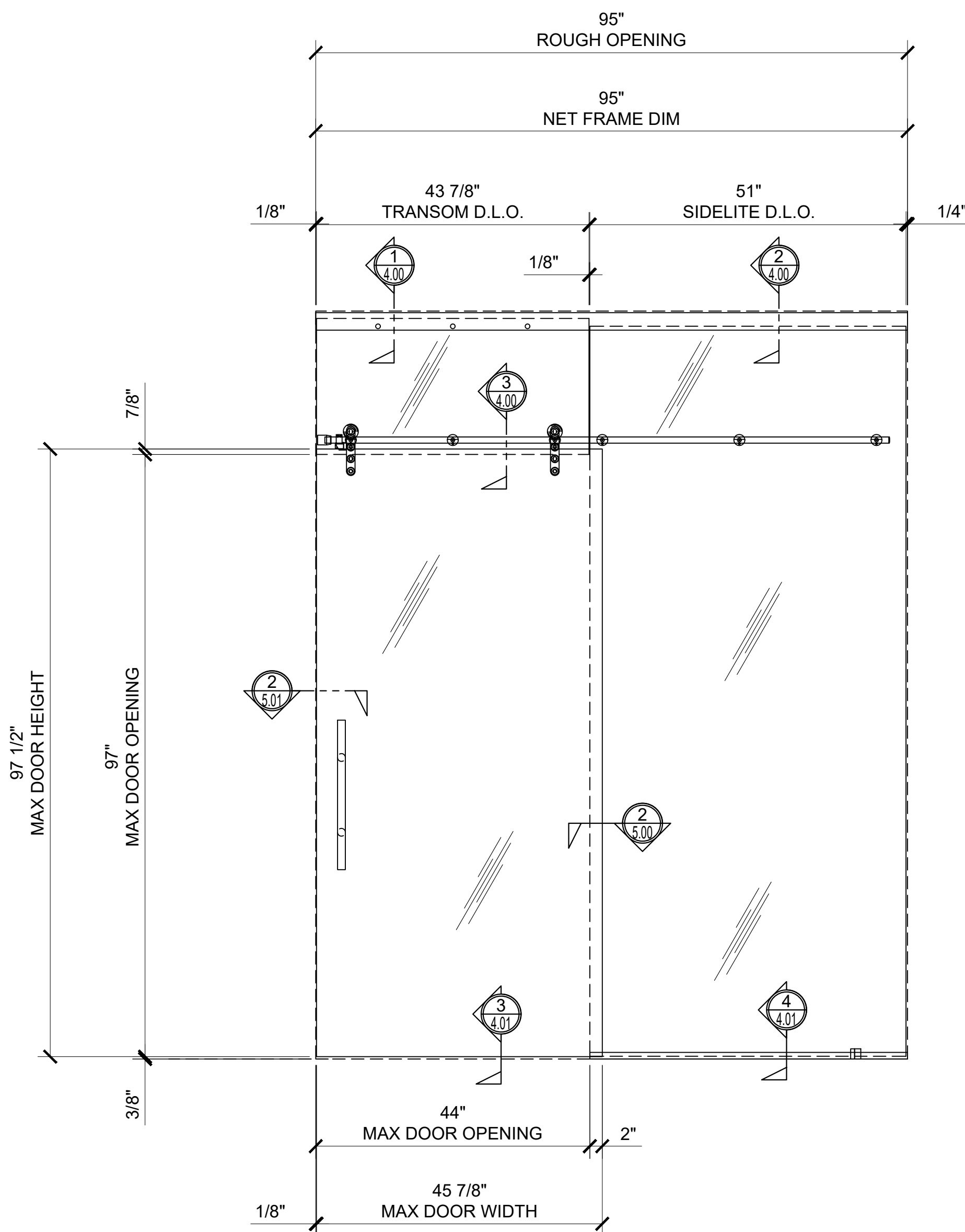
REV#	DATE	DRAWN BY
1		
2		
3		
4		
5		
6		

Drawn By: M.D.
 Checked By: -
 Date: 05.01.23
 Scale: AS NOTED
 Project #: 000000

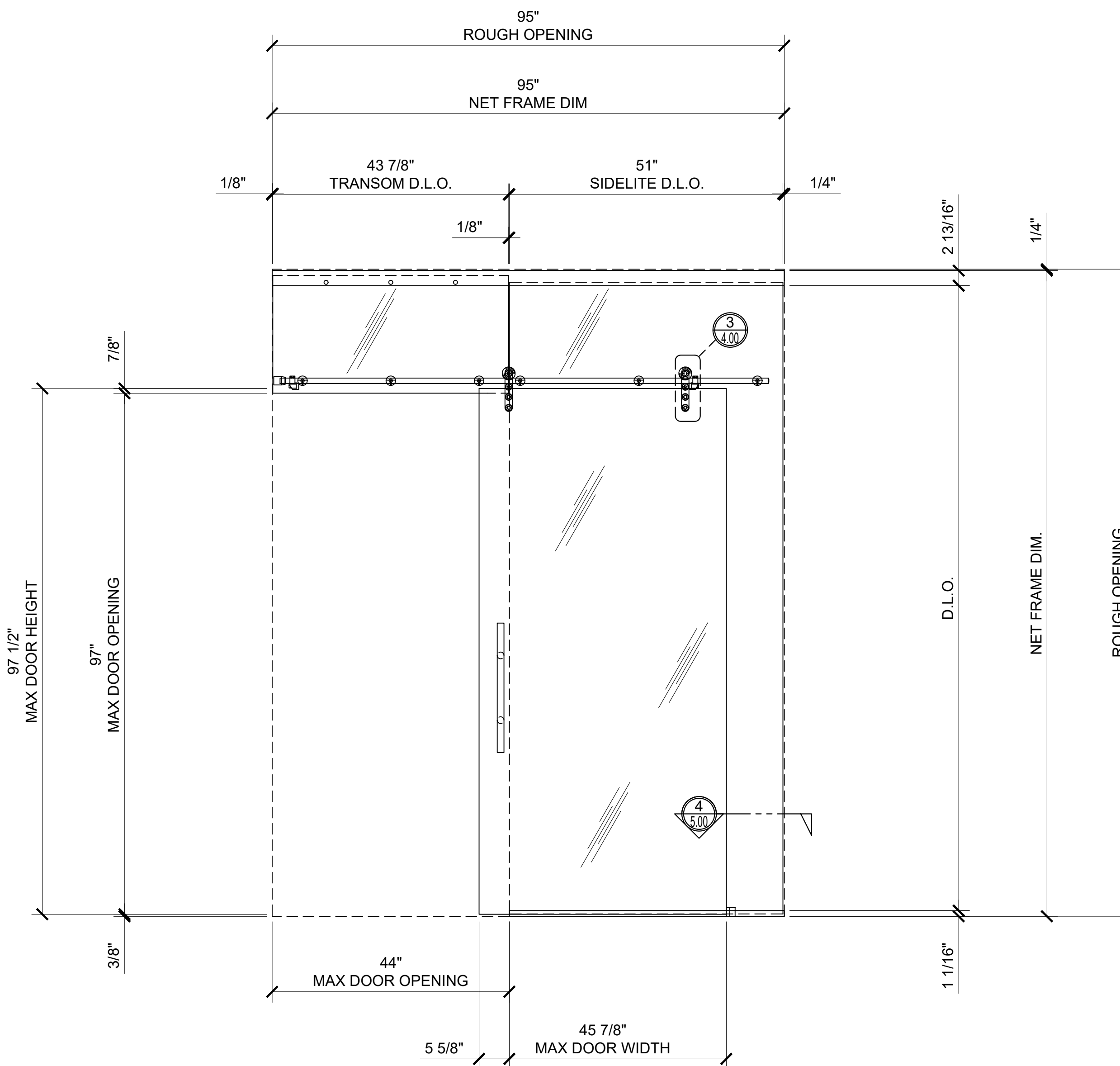
Sheet No.

- DESIGNED FOR 3/8" - 1/2" TEMPERED GLASS AND 9/16" LAMINATED GLASS
- PRECISION ADJUSTABLE ANTI-LIFT TOP ROLLERS
- COMPLETE INSTALLATION KIT (GLASS NOT INCLUDED)
- FAST AND TROUBLE-FREE INSTALLATION
- AVAILABLE IN A BRUSHED / POLISHED STAINLESS AND MATTE BLACK

FHC CSGW01 SINGLE DOOR CORNER (GLASS MOUNT) CARMEL SERIES SLIDER
 (W/ LADDER PULLS)



① CARMEL SERIES DOOR (CLOSED)
 ARCH REF: NONE 1"=1'-0"



② CARMEL SERIES DOOR (OPEN)
 ARCH REF: NONE 1"=1'-0"

Architect: Phone: Fax: Contact:

Job Name: Phone: Fax: Contact:

Customer: Phone: Fax: Contact:

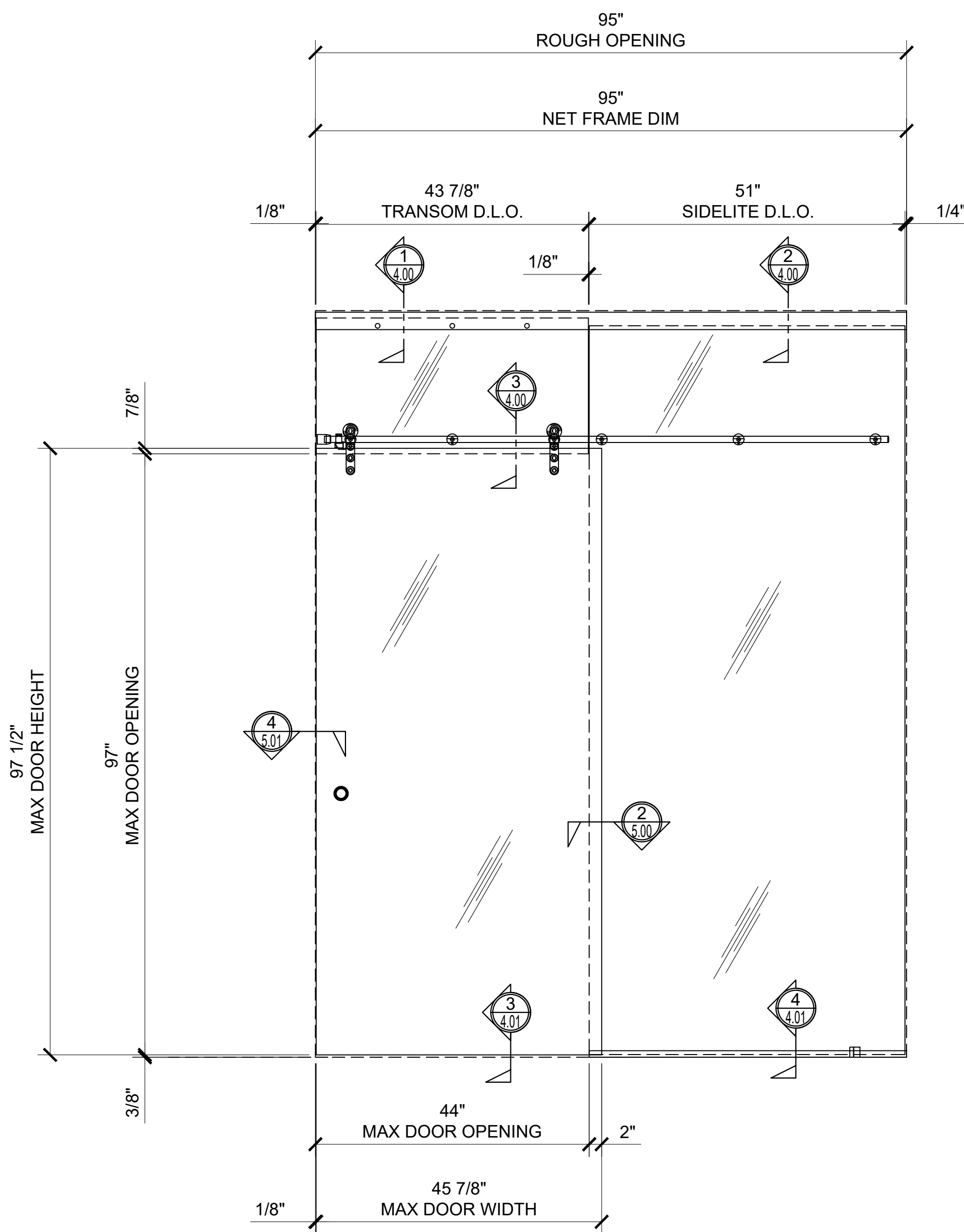
REV#	DATE	DRAWN BY
1		
2		
3		
4		
5		
6		

Drawn By: M.D.
 Checked By: -
 Date: 05.01.23
 Scale: AS NOTED
 Project #: 000000

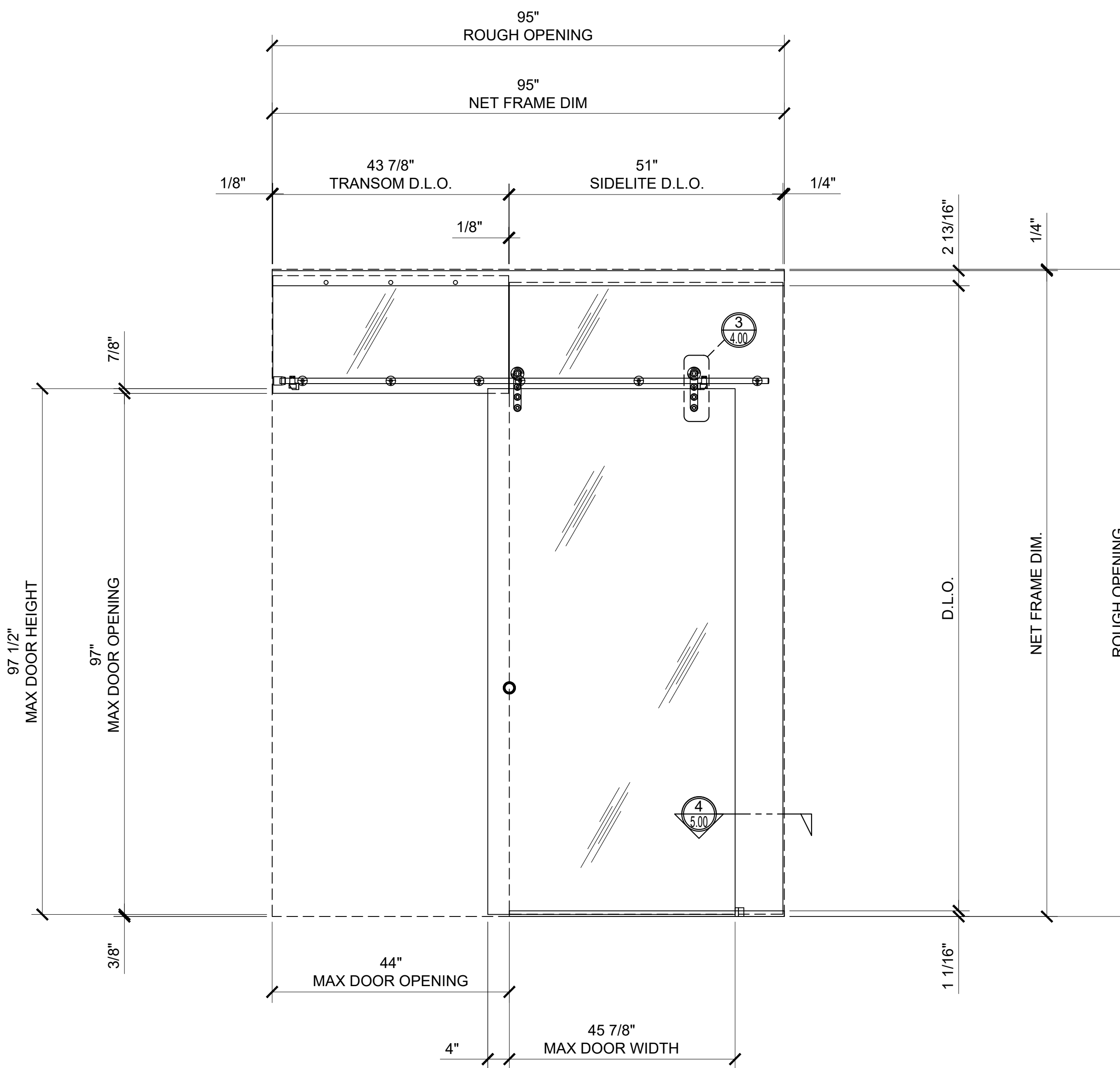
Sheet No.

- DESIGNED FOR 3/8" - 1/2" TEMPERED GLASS AND 9/16" LAMINATED GLASS
- PRECISION ADJUSTABLE ANTI-LIFT TOP ROLLERS
- COMPLETE INSTALLATION KIT (GLASS NOT INCLUDED)
- FAST AND TROUBLE-FREE INSTALLATION
- AVAILABLE IN A BRUSHED / POLISHED STAINLESS AND MATTE BLACK

FHC CSGW01 SINGLE DOOR CORNER (GLASS MOUNT) CARMEL SERIES SLIDER



① CARMEL SERIES DOOR (CLOSED)
 ARCH REF: NONE 1"=1'-0"



② CARMEL SERIES DOOR (OPEN)
 ARCH REF: NONE 1"=1'-0"

Architect: Phone: Fax: Contact:

Job Name: Phone: Fax: Contact:

Customer: Phone: Fax: Contact:

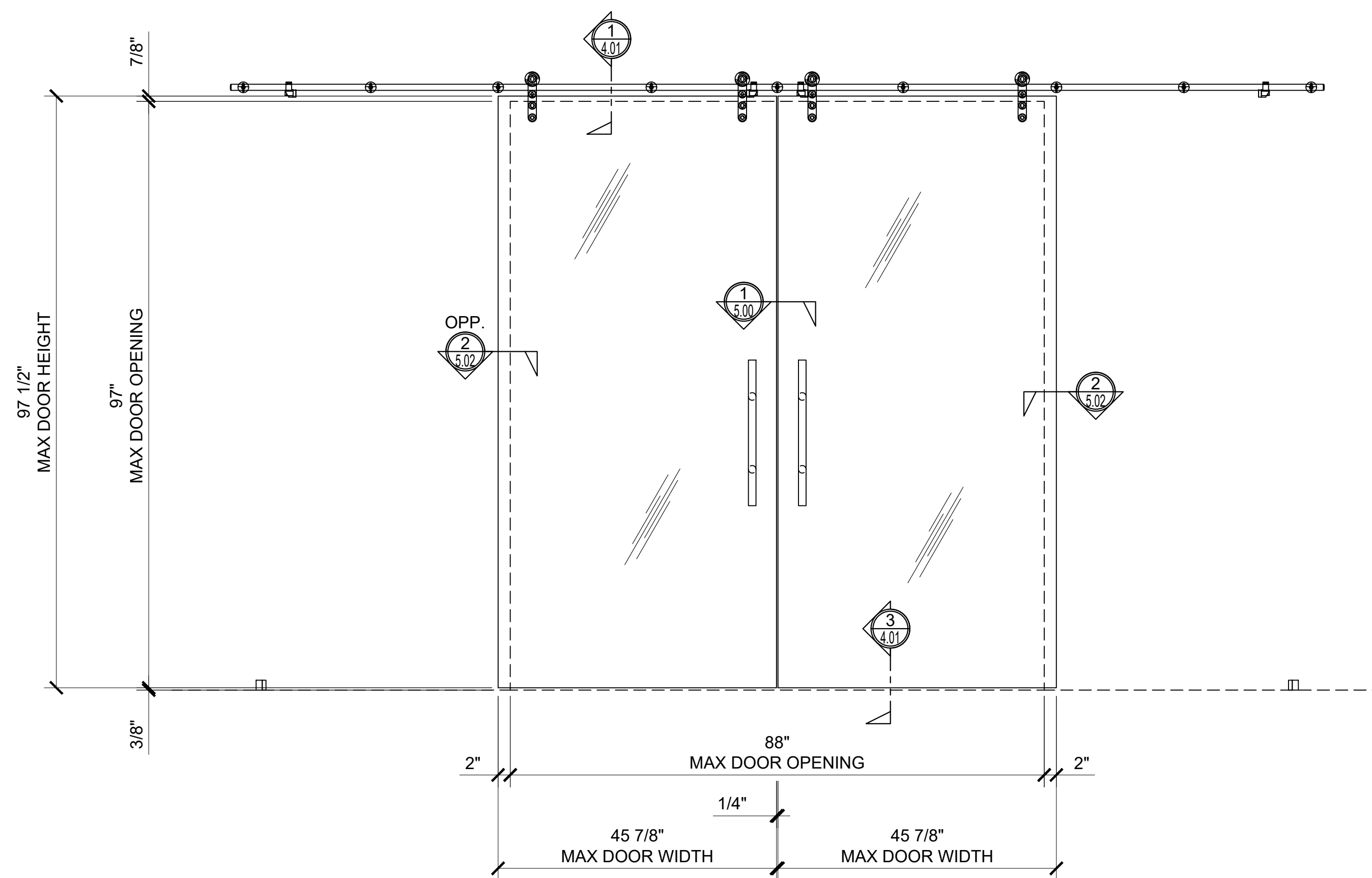
REV#	DATE	DRAWN BY
1		
2		
3		
4		
5		
6		

Drawn By: M.D.
 Checked By: -
 Date: 05.01.23
 Scale: AS NOTED
 Project #: 000000

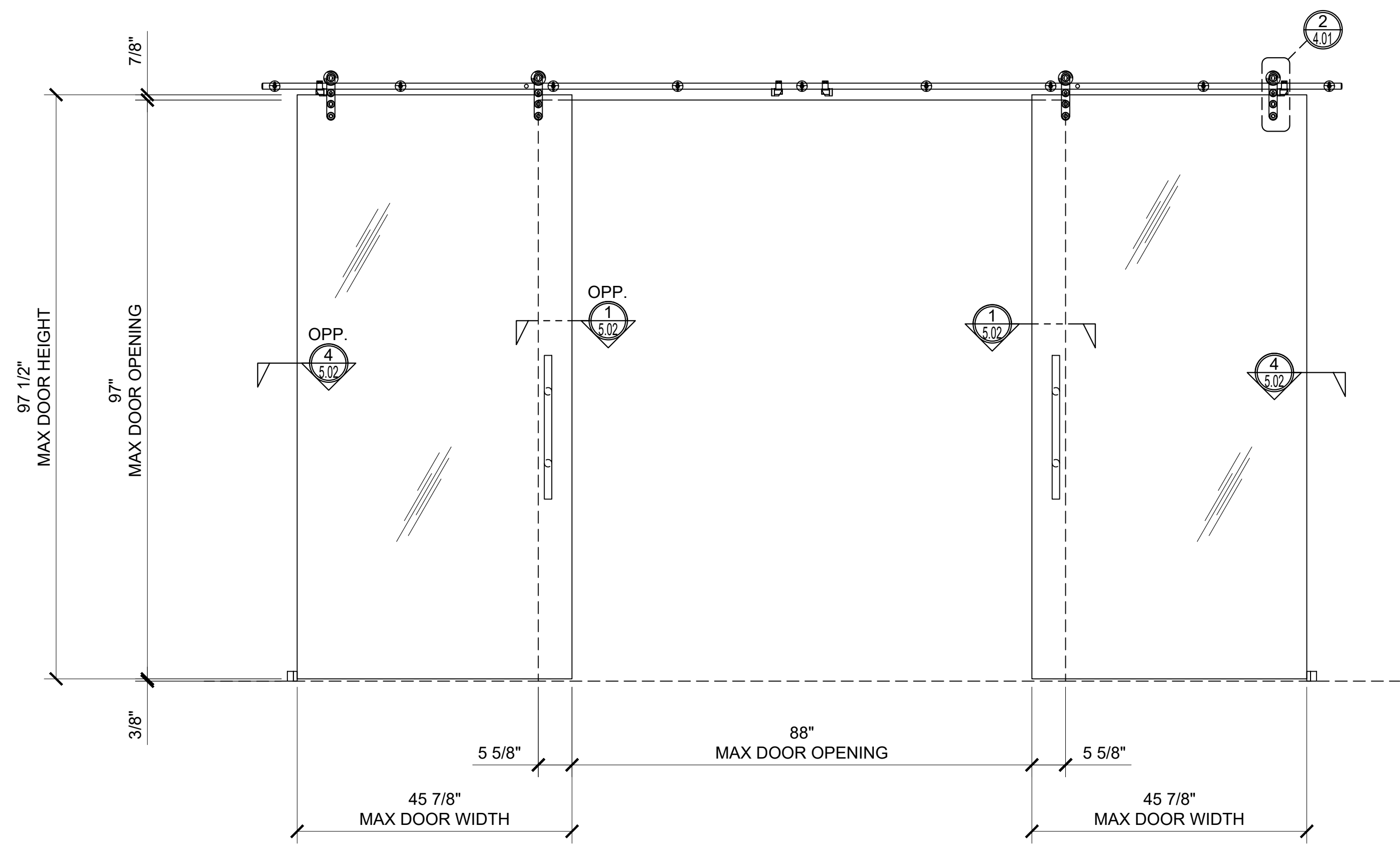
Sheet No.

- DESIGNED FOR 3/8" - 1/2" TEMPERED GLASS AND 9/16" LAMINATED GLASS
- PRECISION ADJUSTABLE ANTI-LIFT TOP ROLLERS
- COMPLETE INSTALLATION KIT (GLASS NOT INCLUDED)
- FAST AND TROUBLE-FREE INSTALLATION
- AVAILABLE IN A BRUSHED / POLISHED STAINLESS AND MATTE BLACK

FHC CDWM02 DOUBE DOOR (WALL MOUNT) CARMEL SERIES SLIDER
(W/ LADDER PULLS)



① CARMEL SERIES DOOR (CLOSED)
 ARCH REF: NONE 1"=1'-0"



② CARMEL SERIES DOOR (OPEN)
 ARCH REF: NONE 1"=1'-0"

Architect: Phone: Fax: Contact:

Job Name: Phone: Fax: Contact:

Customer: Phone: Fax: Contact:

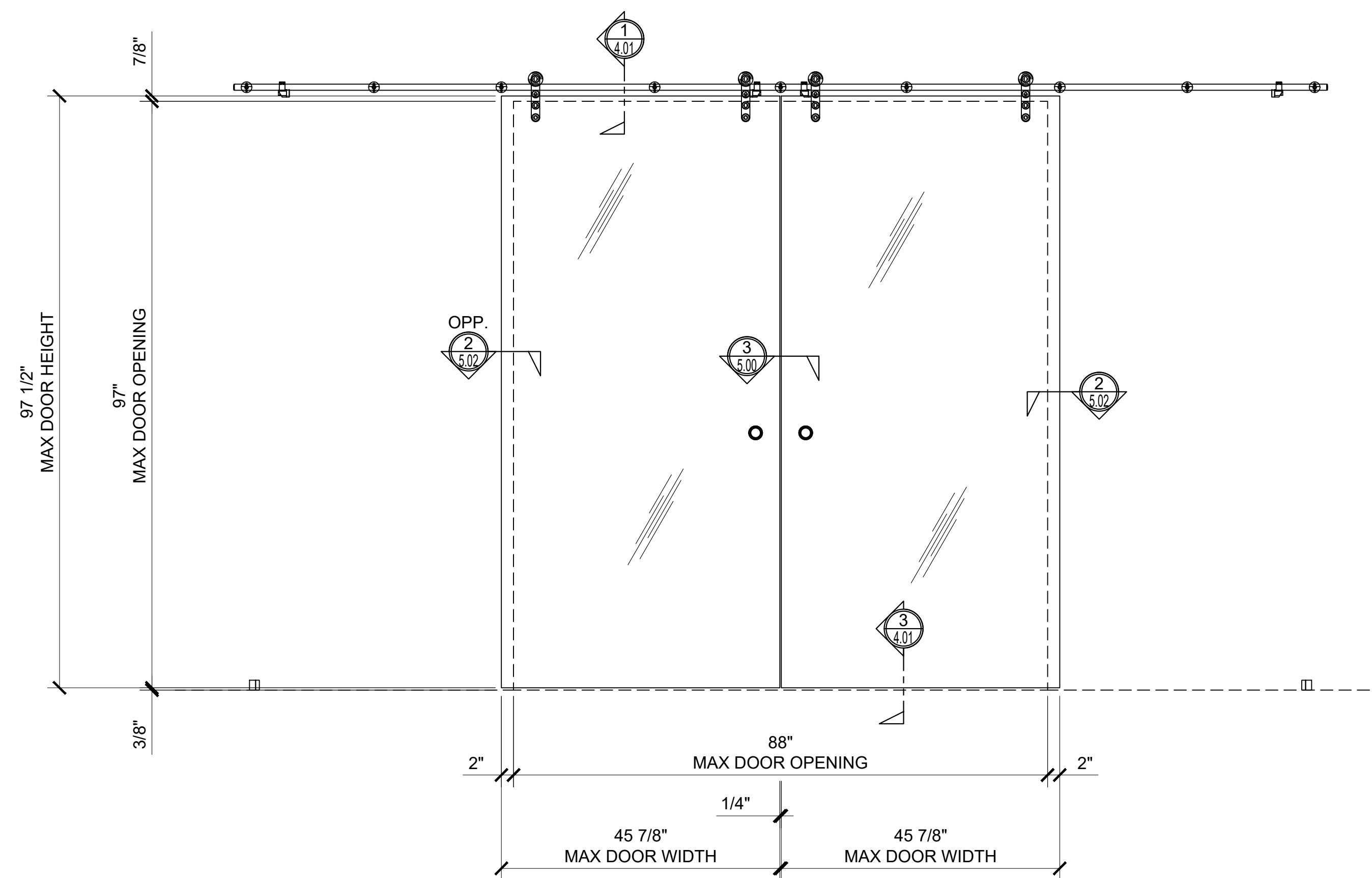
REV#	DATE	DRAWN BY
1		
2		
3		
4		
5		
6		

Drawn By: M.D.
 Checked By: -
 Date: 05.01.23
 Scale: AS NOTED
 Project #: 000000

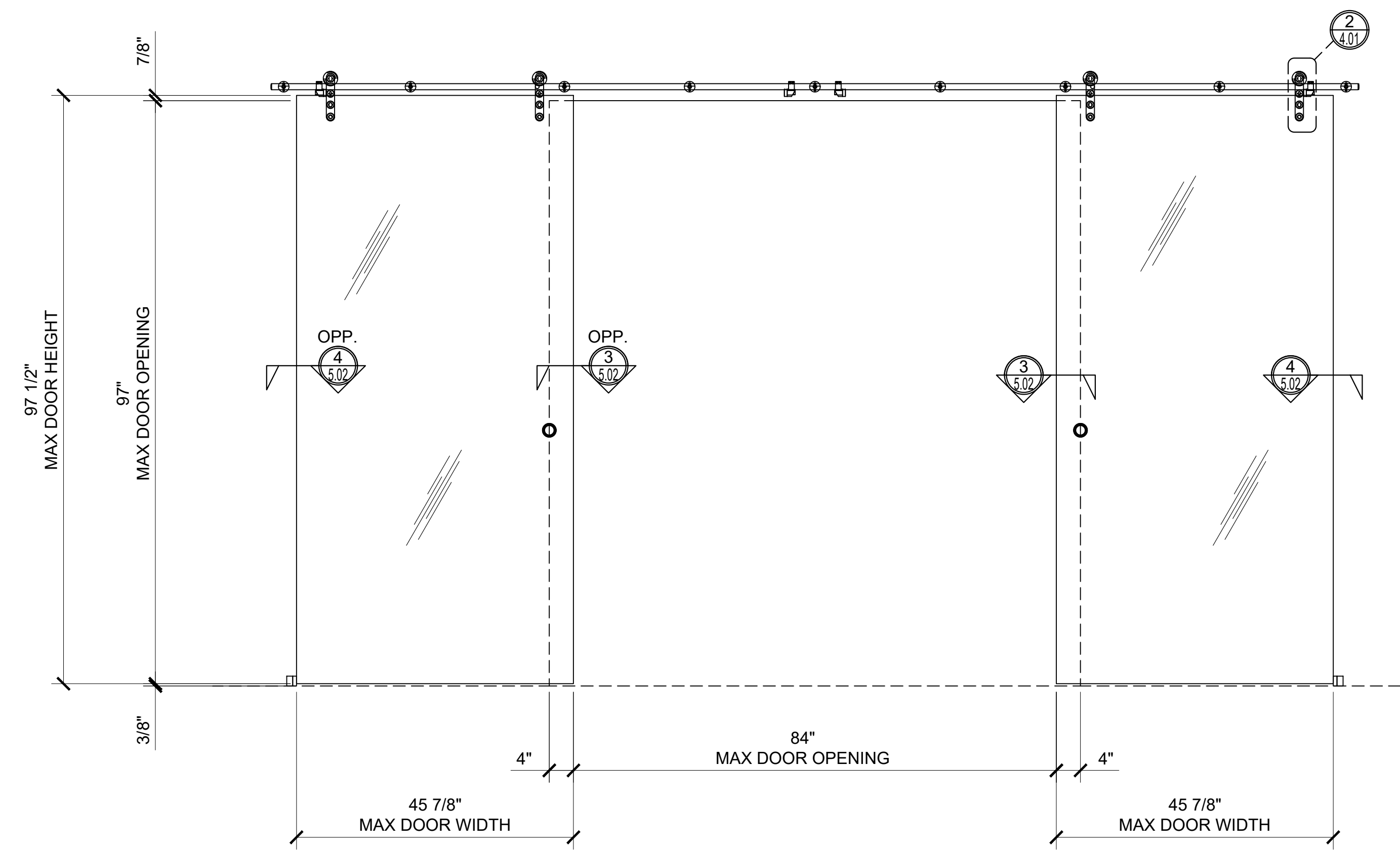
Sheet No.
3.06

- DESIGNED FOR 3/8" - 1/2" TEMPERED GLASS AND 9/16" LAMINATED GLASS
- PRECISION ADJUSTABLE ANTI-LIFT TOP ROLLERS
- COMPLETE INSTALLATION KIT (GLASS NOT INCLUDED)
- FAST AND TROUBLE-FREE INSTALLATION
- AVAILABLE IN A BRUSHED / POLISHED STAINLESS AND MATTE BLACK

FHC CDWM02 DOUBE DOOR (WALL MOUNT) CARMEL SERIES SLIDER



① CARMEL SERIES DOOR (CLOSED)
 ARCH REF: NONE 1"=1'-0"



② CARMEL SERIES DOOR (OPEN)
 ARCH REF: NONE 1"=1'-0"

Architect: Phone: Fax: Contact:

Job Name: Phone: Fax: Contact:

Customer: Phone: Fax: Contact:

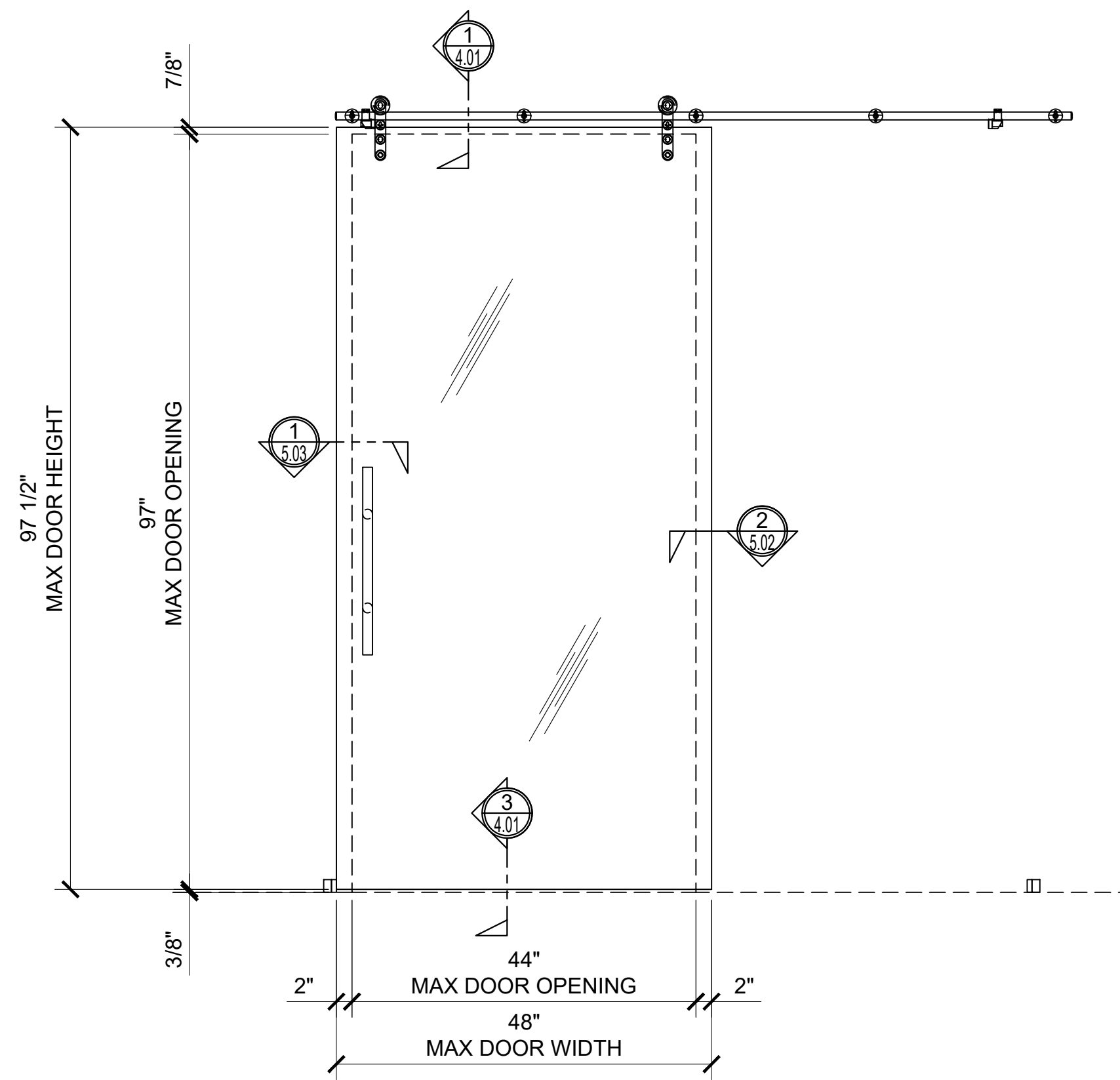
REV#	DATE	DRAWN BY
1		
2		
3		
4		
5		
6		

Drawn By: M.D.
 Checked By: -
 Date: 05.01.23
 Scale: AS NOTED
 Project #: 000000

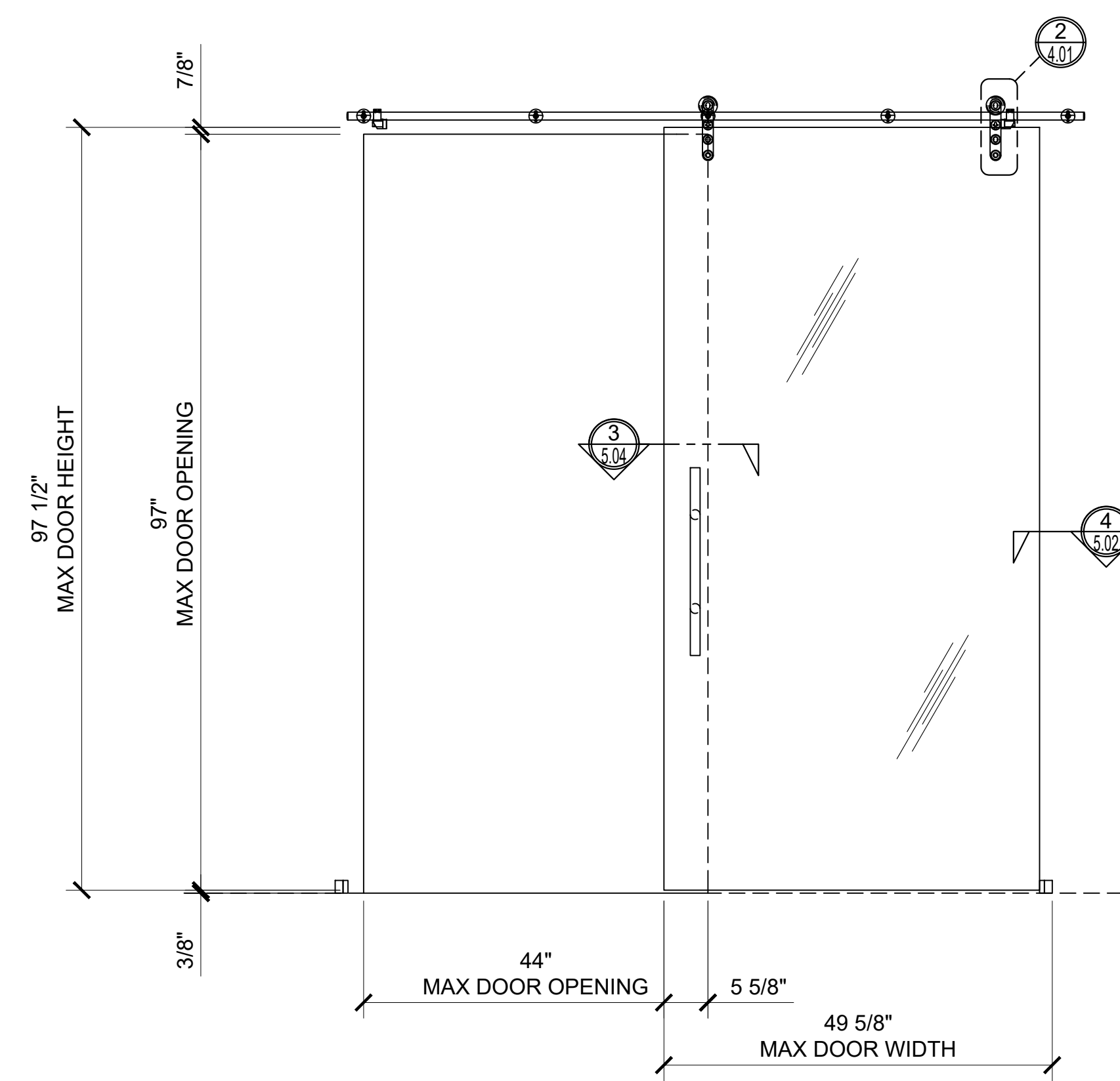
Sheet No.

- DESIGNED FOR 3/8" - 1/2" TEMPERED GLASS AND 9/16" LAMINATED GLASS
- PRECISION ADJUSTABLE ANTI-LIFT TOP ROLLERS
- COMPLETE INSTALLATION KIT (GLASS NOT INCLUDED)
- FAST AND TROUBLE-FREE INSTALLATION
- AVAILABLE IN A BRUSHED / POLISHED STAINLESS AND MATTE BLACK

FHC CDWM01 SINGLE DOOR (WALL MOUNT) CARMEL SERIES SLIDER
(W/ LADDER PULLS)



① CARMEL SERIES DOOR (CLOSED)
 ARCH REF: NONE 1"=1'-0"



② CARMEL SERIES DOOR (OPEN)
 ARCH REF: NONE 1"=1'-0"

Architect: _____ Phone: _____
 Fax: _____ Contact: _____

Job Name: _____ Phone: _____
 Fax: _____ Contact: _____

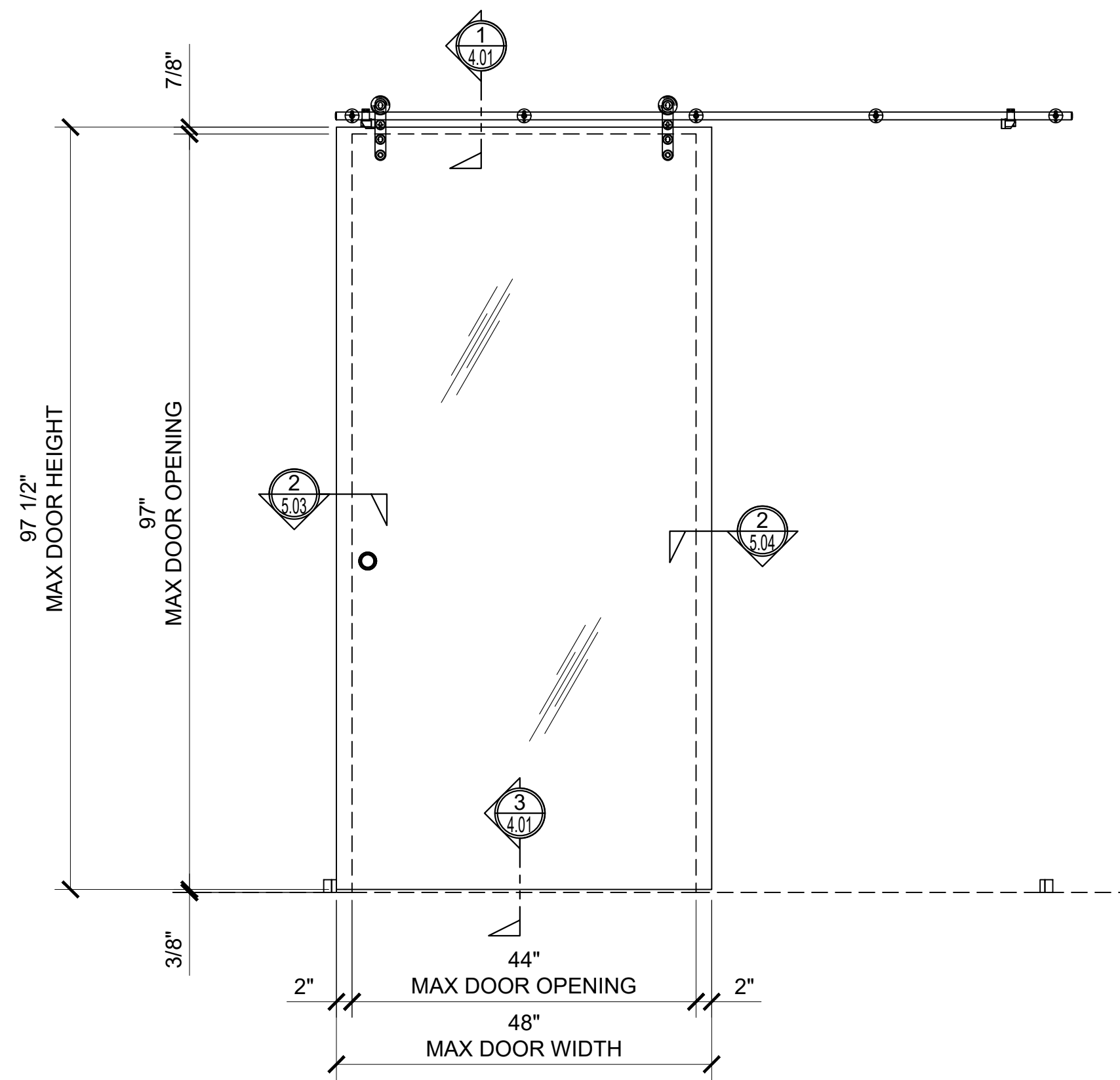
Customer: _____ Phone: _____
 Fax: _____ Contact: _____

REV#	DATE	DRAWN BY
1		
2		
3		
4		
5		
6		

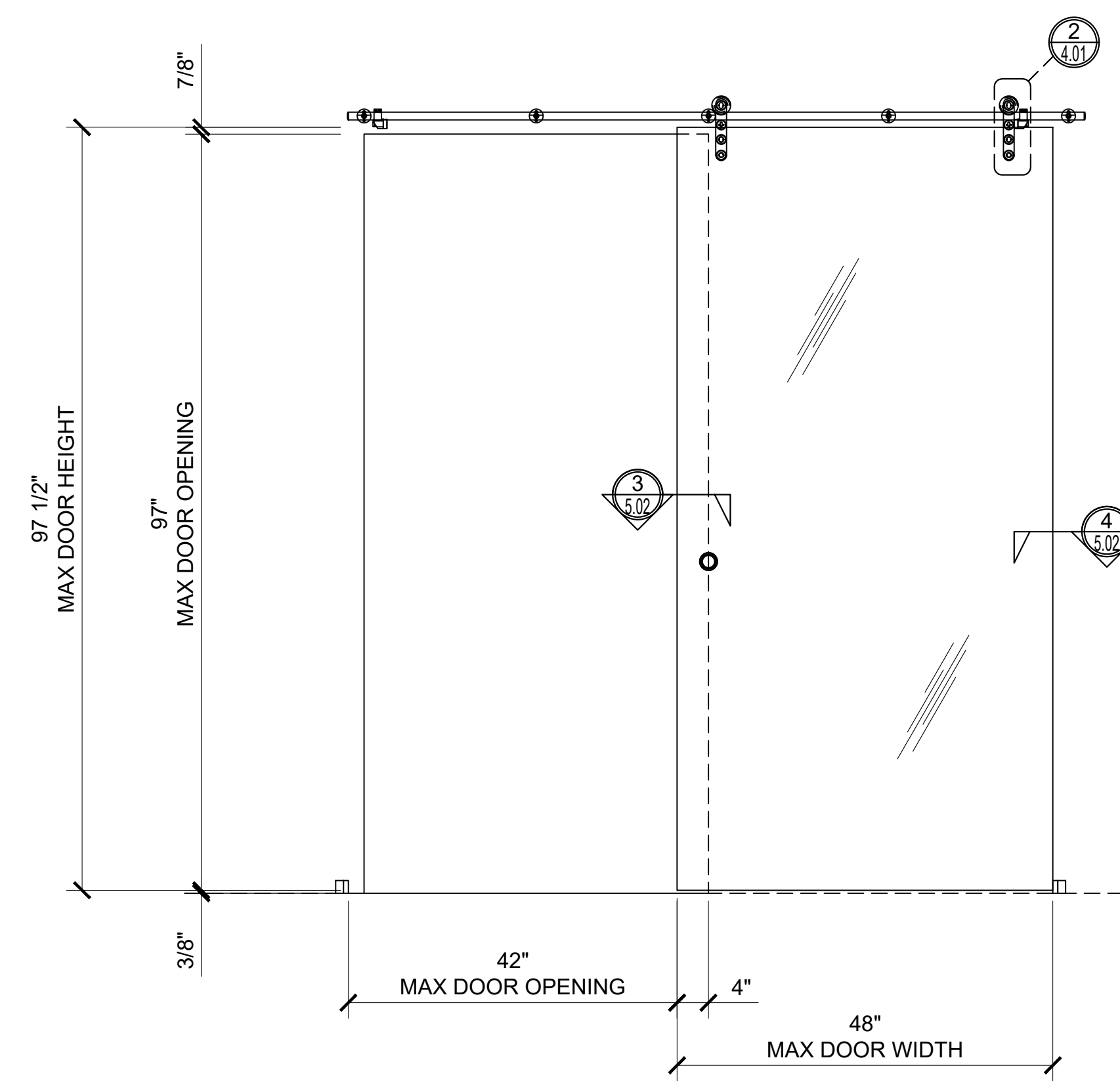
Drawn By: M.D.
 Checked By: -
 Date: 05.01.23
 Scale: AS NOTED
 Project #: 000000

- DESIGNED FOR 3/8" - 1/2" TEMPERED GLASS AND 9/16" LAMINATED GLASS
- PRECISION ADJUSTABLE ANTI-LIFT TOP ROLLERS
- COMPLETE INSTALLATION KIT (GLASS NOT INCLUDED)
- FAST AND TROUBLE-FREE INSTALLATION
- AVAILABLE IN A BRUSHED / POLISHED STAINLESS AND MATTE BLACK

FHC CDWM01 SINGLE DOOR (WALL MOUNT) CARMEL SERIES SLIDER



① CARMEL SERIES DOOR (CLOSED)
 ARCH REF: NONE 1"=1'-0"



② CARMEL SERIES DOOR (OPEN)
 ARCH REF: NONE 1"=1'-0"

Architect: _____
 Phone: _____
 Fax: _____
 Contact: _____

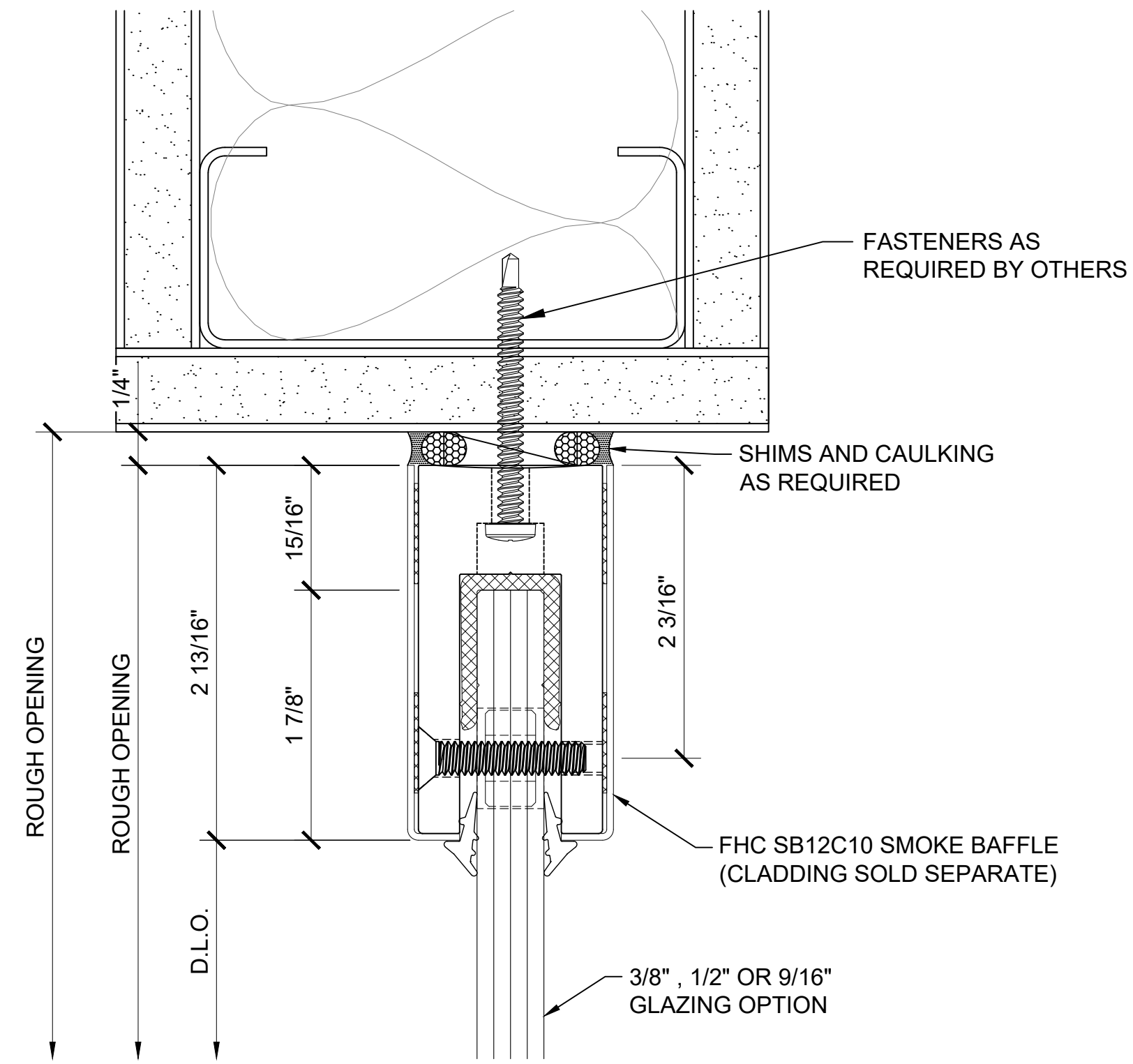
Job Name: _____
 Phone: _____
 Fax: _____
 Contact: _____

Customer: _____
 Phone: _____
 Fax: _____
 Contact: _____

REV#	DATE	DRAWN BY
1		
2		
3		
4		
5		
6		

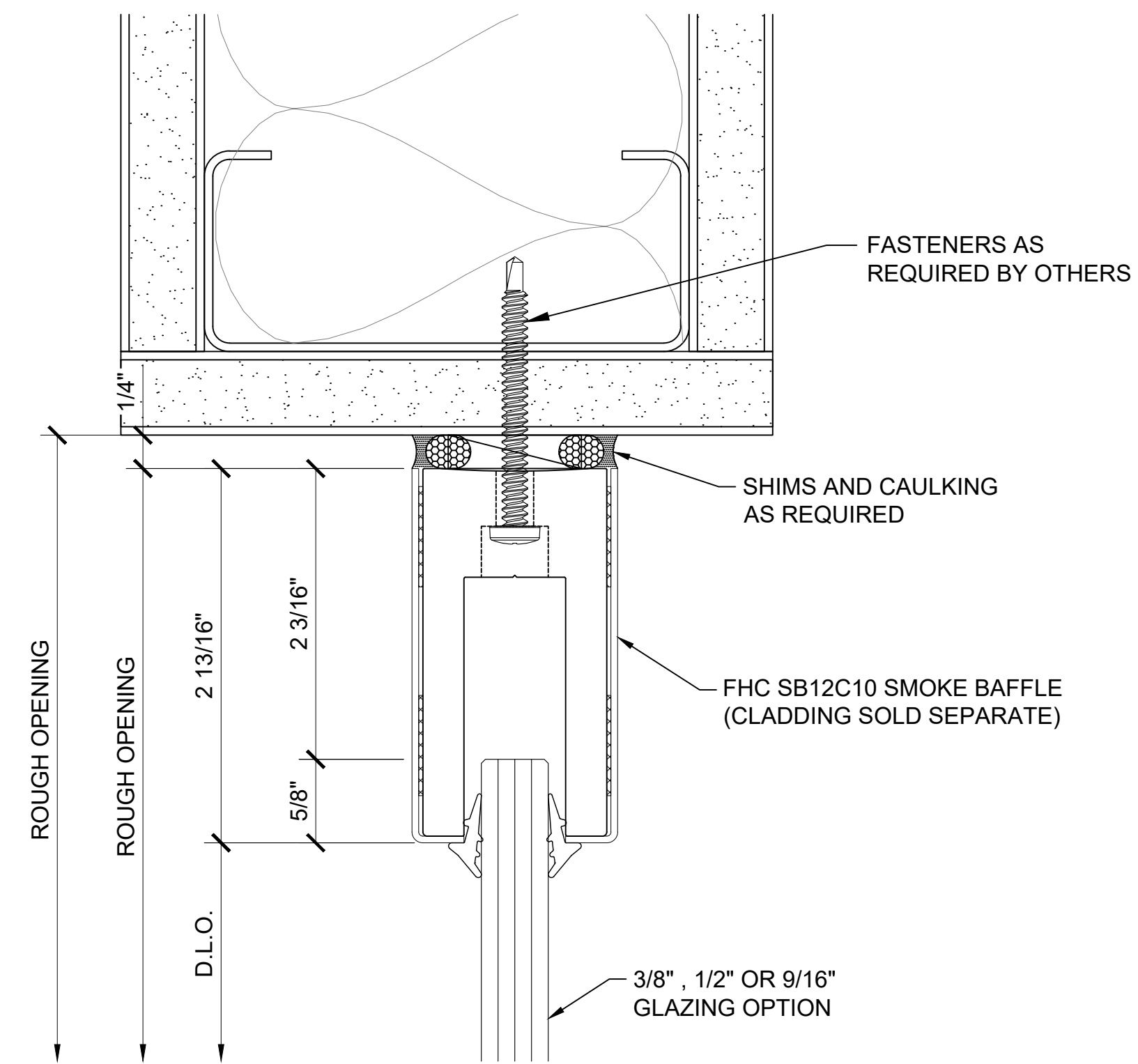
Drawn By: M.D.
 Checked By: -
 Date: 05.01.23
 Scale: AS NOTED
 Project #: 000000

Sheet No.
3.09



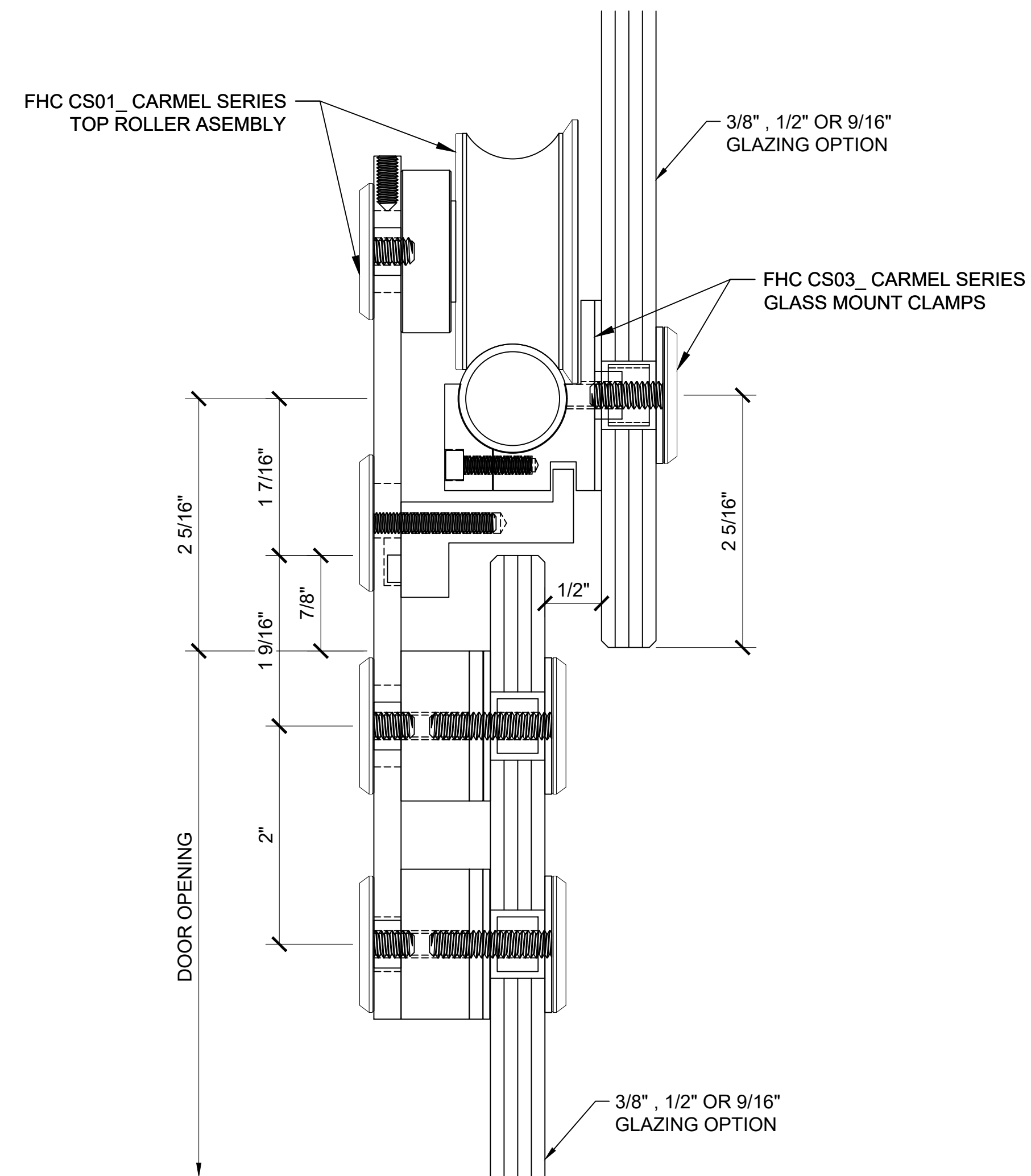
① DOOR TRANSOM HEAD DETAIL

ARCH REF: 1'-0"=1'-0"



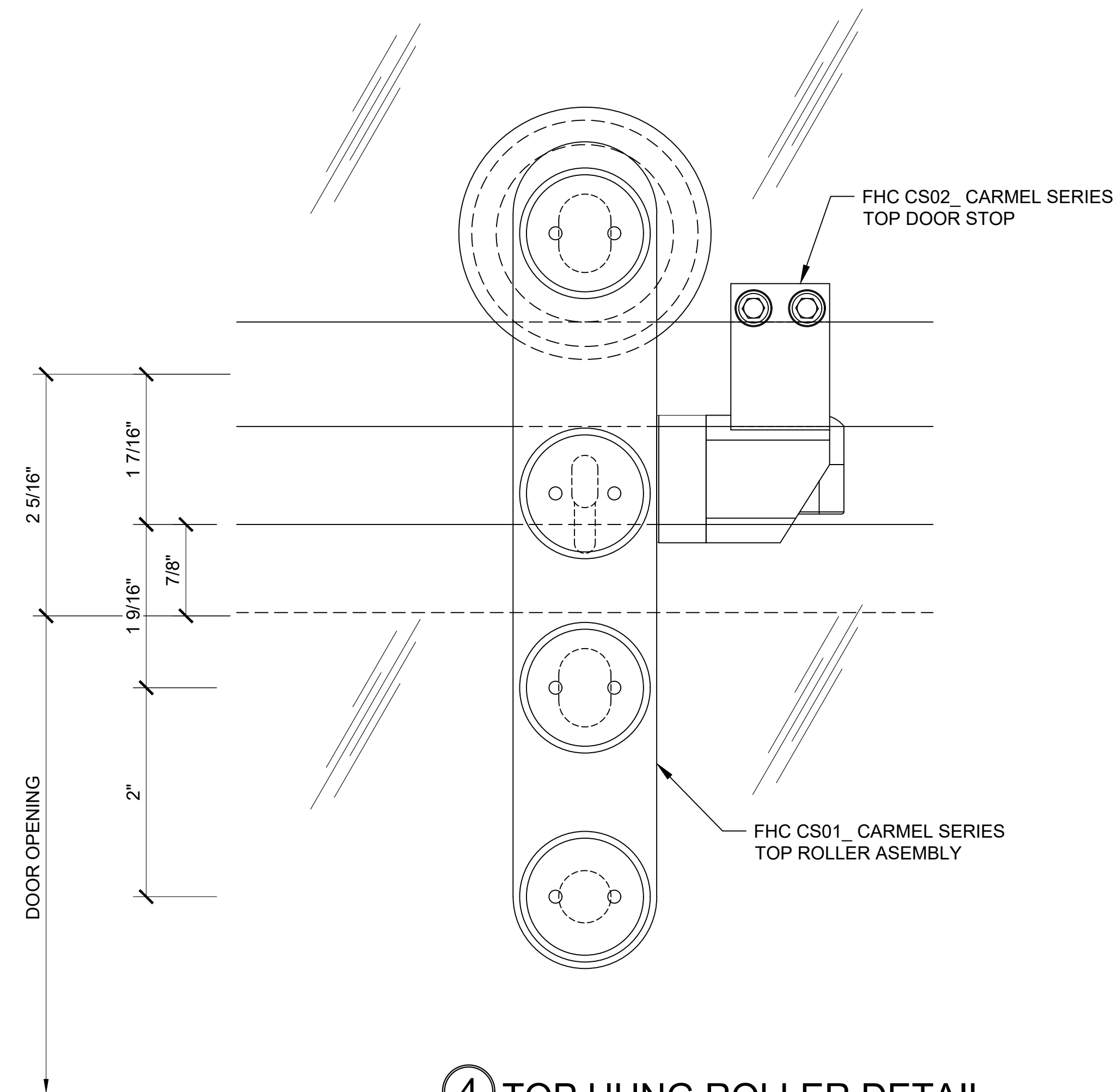
② SIDLITE HEAD DETAIL

ARCH REF: 1'-0"=1'-0"



③ DOOR HEAD DETAIL

ARCH REF: 1'-0"=1'-0"



④ TOP HUNG ROLLER DETAIL

ARCH REF: 1'-0"=1'-0"

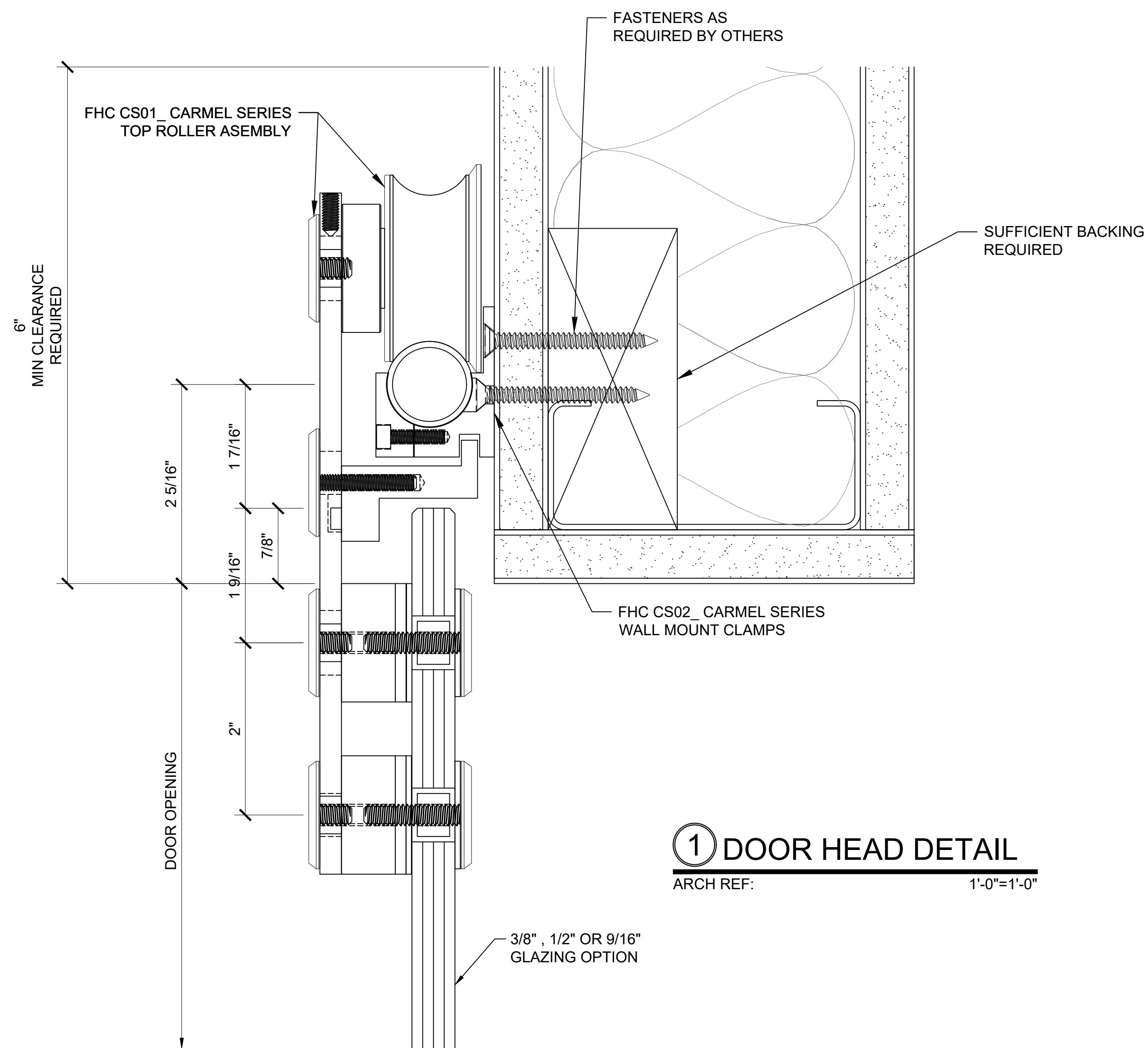
Architect: _____
 Phone: _____
 Fax: _____
 Contact: _____

Job Name: _____
 Phone: _____
 Fax: _____
 Contact: _____

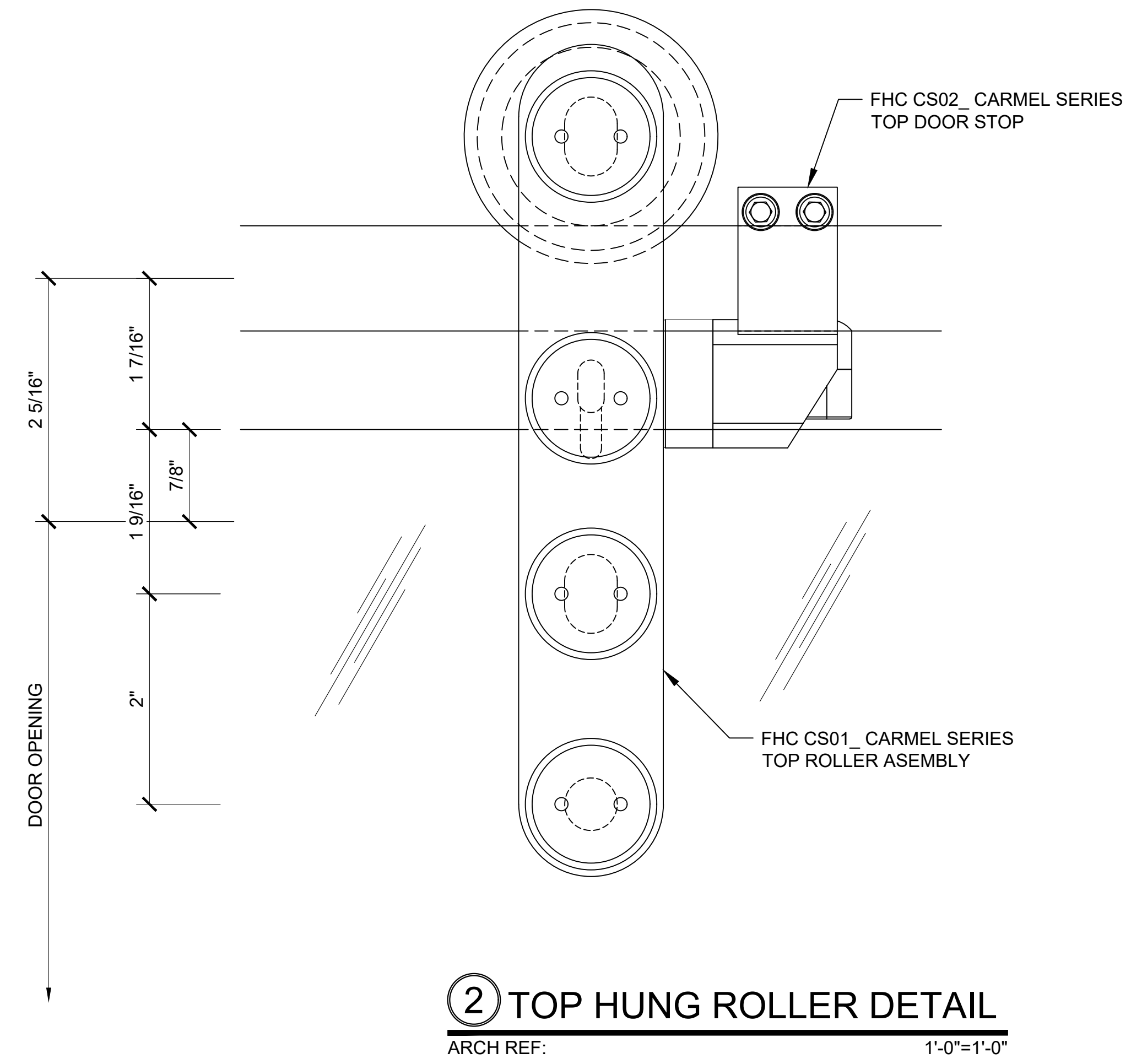
Customer: _____
 Phone: _____
 Fax: _____
 Contact: _____

REV#	DATE	DRAWN BY
0		
1		
2		
3		
4		
5		
6		

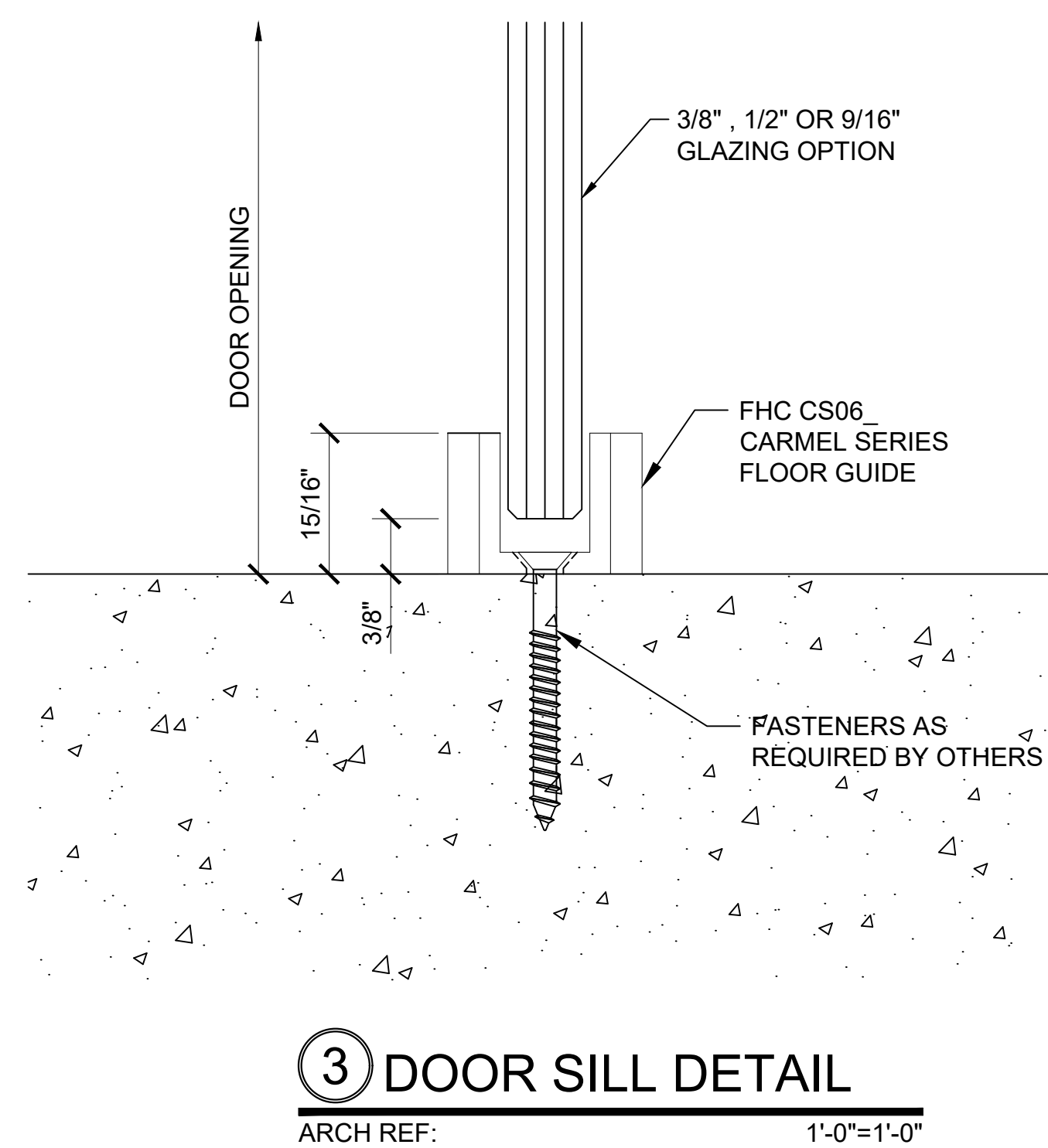
Drawn By: M.D.
 Checked By: -
 Date: 05.01.23
 Scale: AS NOTED
 Project #: 000000



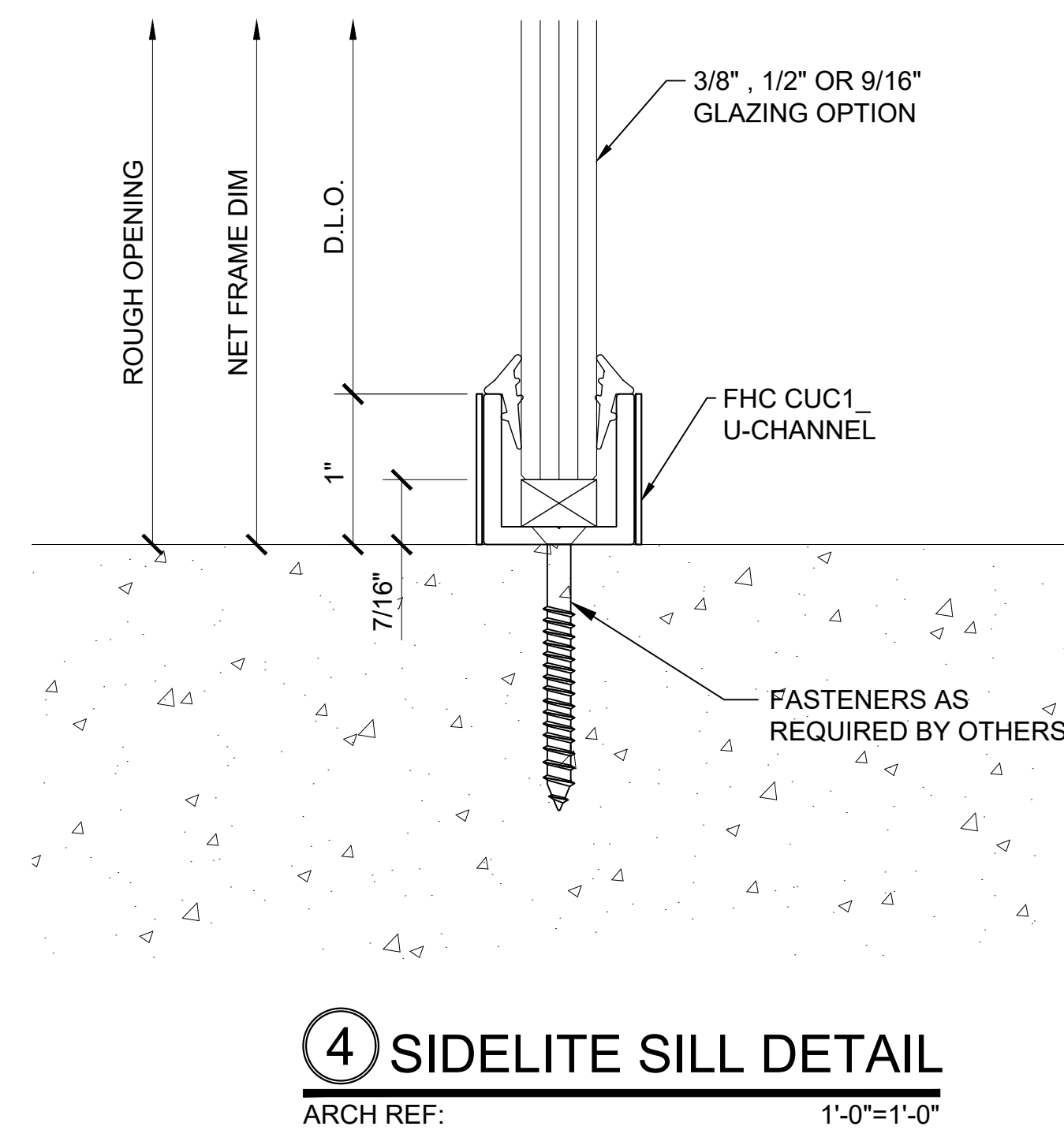
1 DOOR HEAD DETAIL
 ARCH REF: 1'-0"=1'-0"



2 TOP HUNG ROLLER DETAIL
 ARCH REF: 1'-0"=1'-0"



3 DOOR SILL DETAIL
 ARCH REF: 1'-0"=1'-0"



4 SIDELITE SILL DETAIL
 ARCH REF: 1'-0"=1'-0"

Architect: _____
 Phone: _____
 Fax: _____
 Contact: _____

Job Name: _____
 Phone: _____
 Fax: _____
 Contact: _____

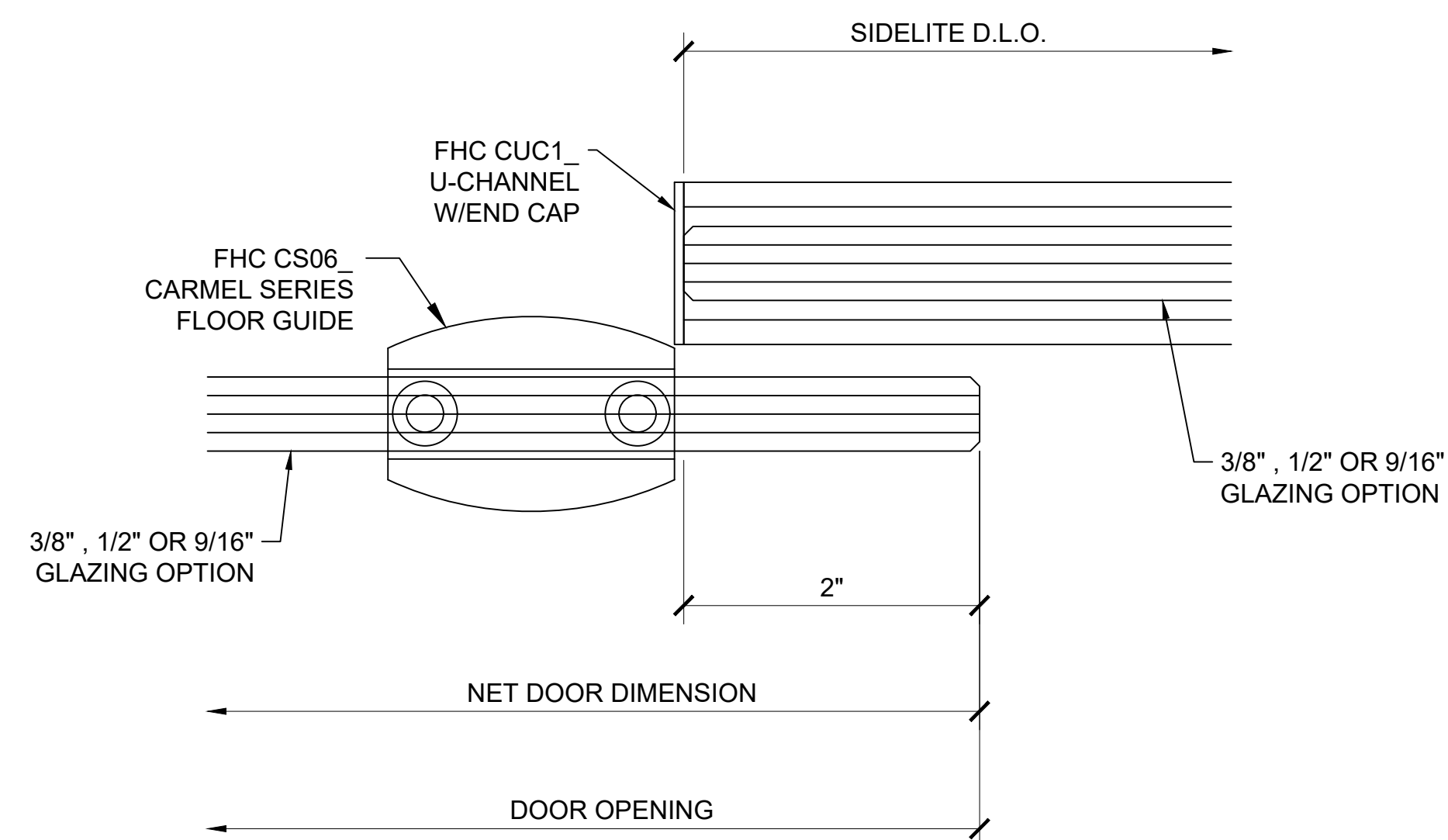
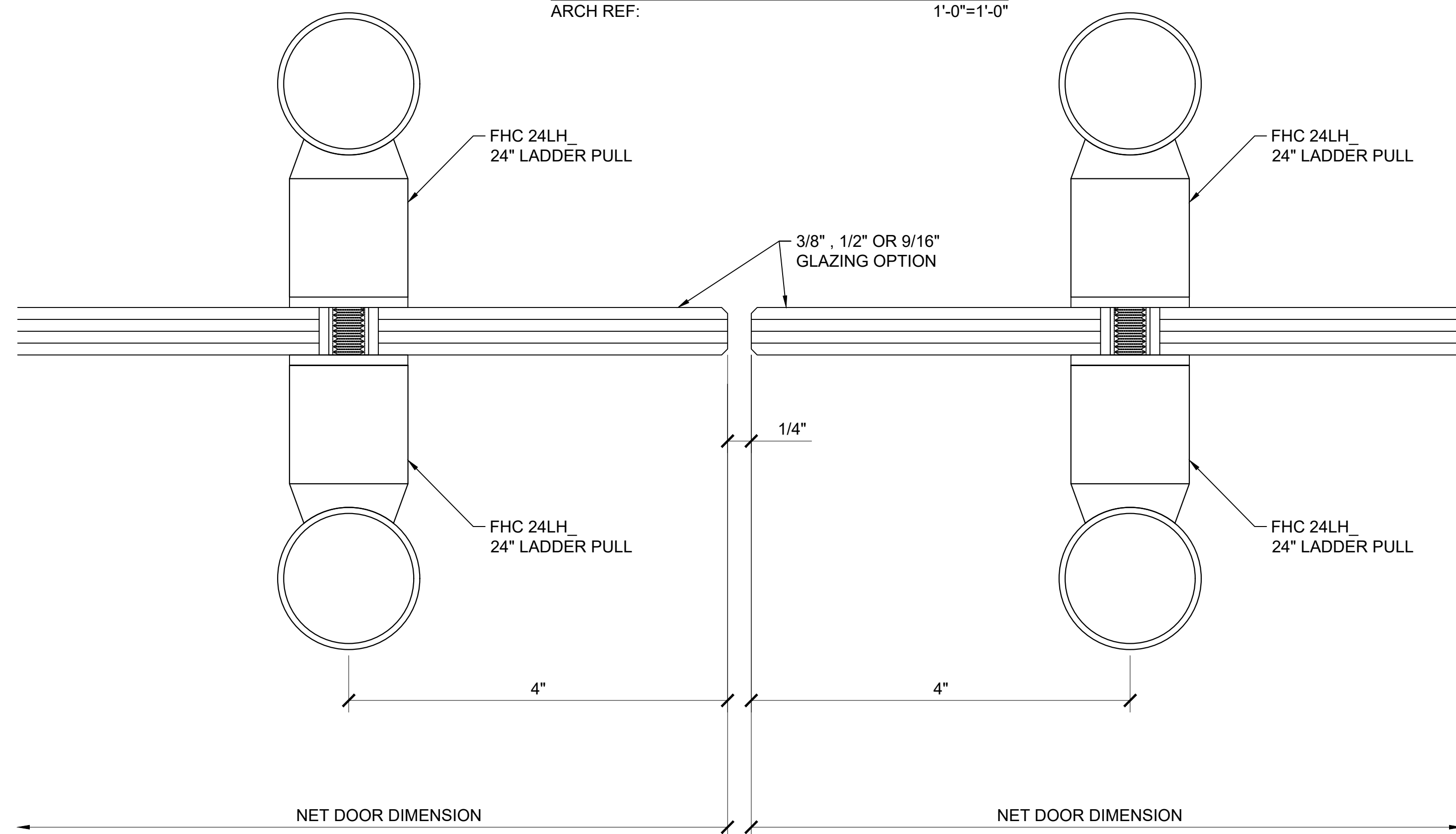
Customer: _____
 Phone: _____
 Fax: _____
 Contact: _____

REV#	DATE	DRAWN BY
0		
1		
2		
3		
4		
5		
6		

Drawn By: M.D.
 Checked By: -
 Date: 05.01.23
 Scale: AS NOTED
 Project #: 000000

① DOOR MEETING DETAIL

ARCH REF: 1'-0"=1'-0"

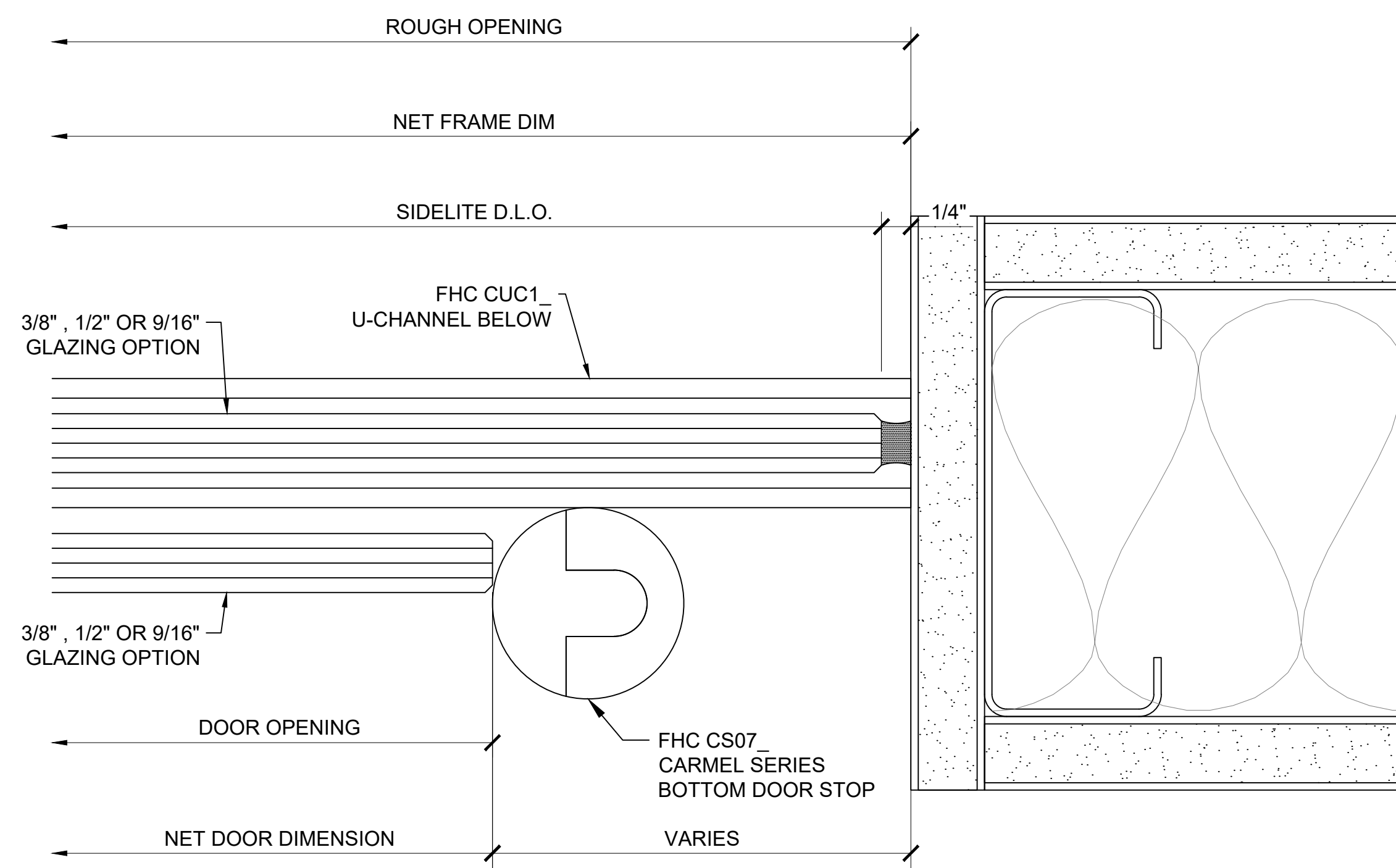
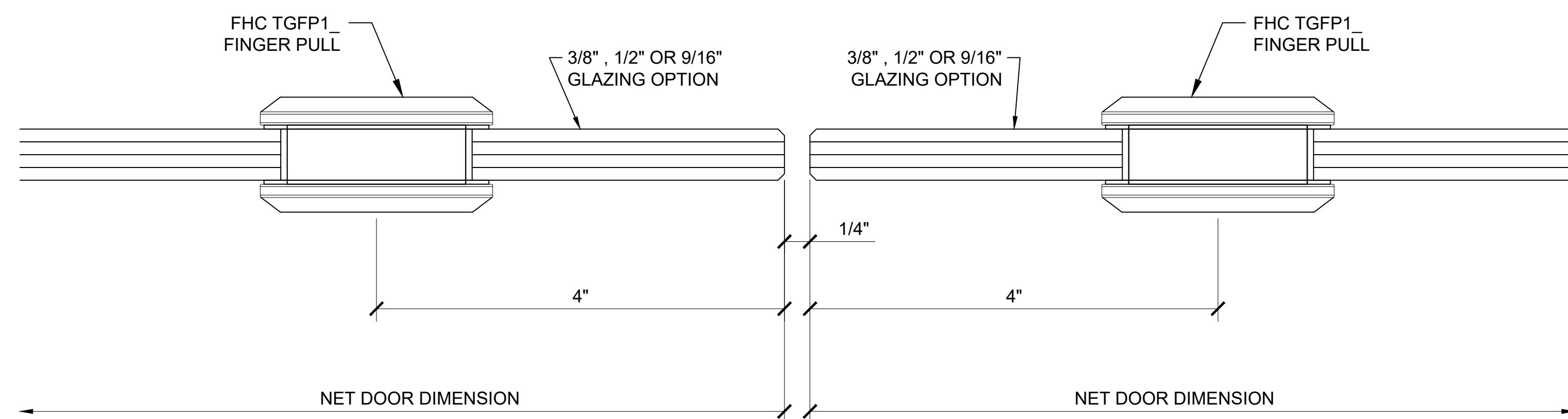


② DOOR JAMB DETAIL (DOOR CLOSED)

ARCH REF: 1'-0"=1'-0"

③ DOOR MEETING DETAIL

ARCH REF: 1'-0"=1'-0"



④ DOOR JAMB DETAIL (DOOR OPEN)

ARCH REF: 1'-0"=1'-0"

Architect: _____
 Phone: _____
 Fax: _____
 Contact: _____

Job Name: _____
 Phone: _____
 Fax: _____
 Contact: _____

Customer: _____
 Phone: _____
 Fax: _____
 Contact: _____

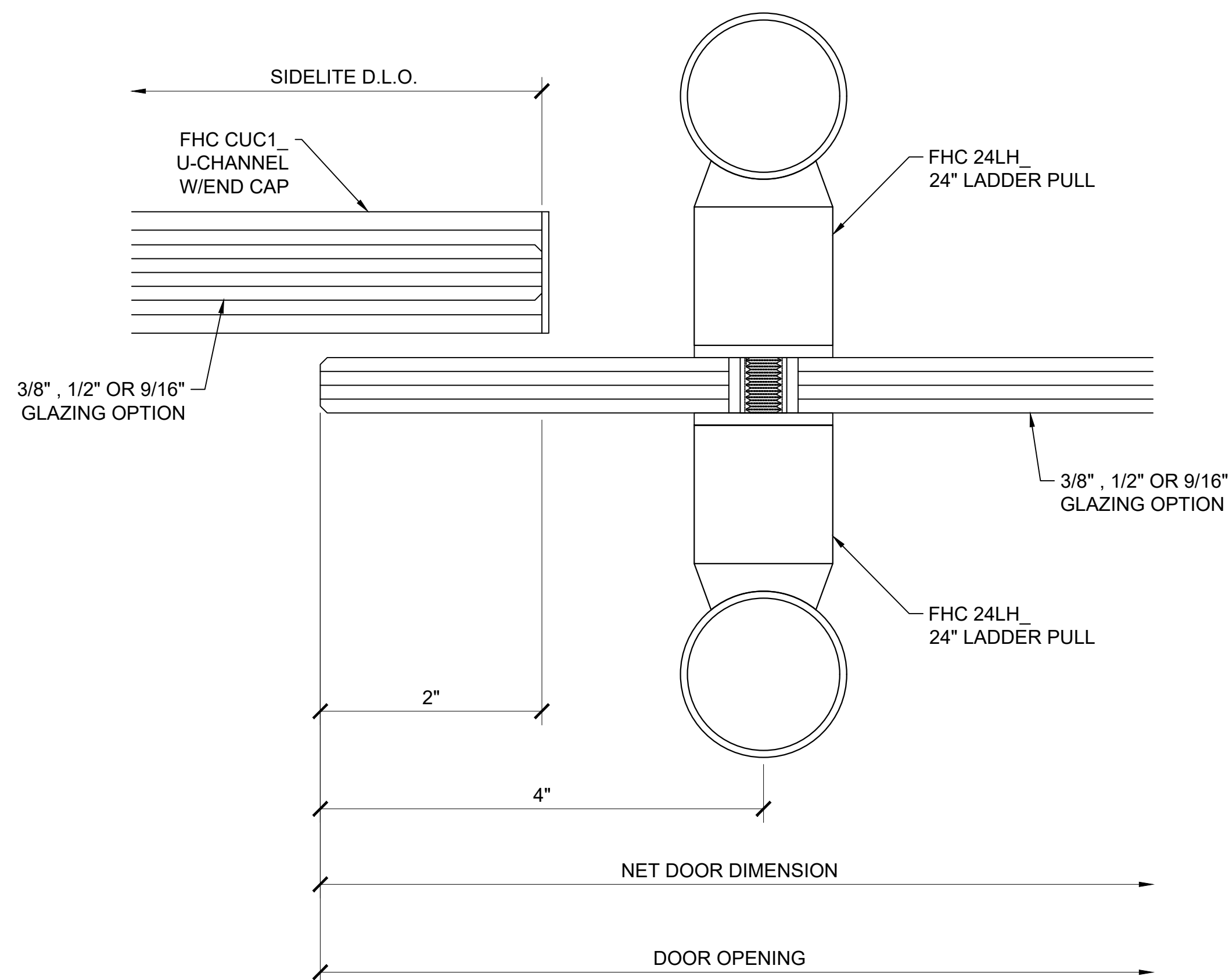
REV#	DATE	DRAWN BY
1		
2		
3		
4		
5		
6		

Drawn By: M.D.
 Checked By: -
 Date: 05.01.23
 Scale: AS NOTED
 Project #: 000000

Sheet No.

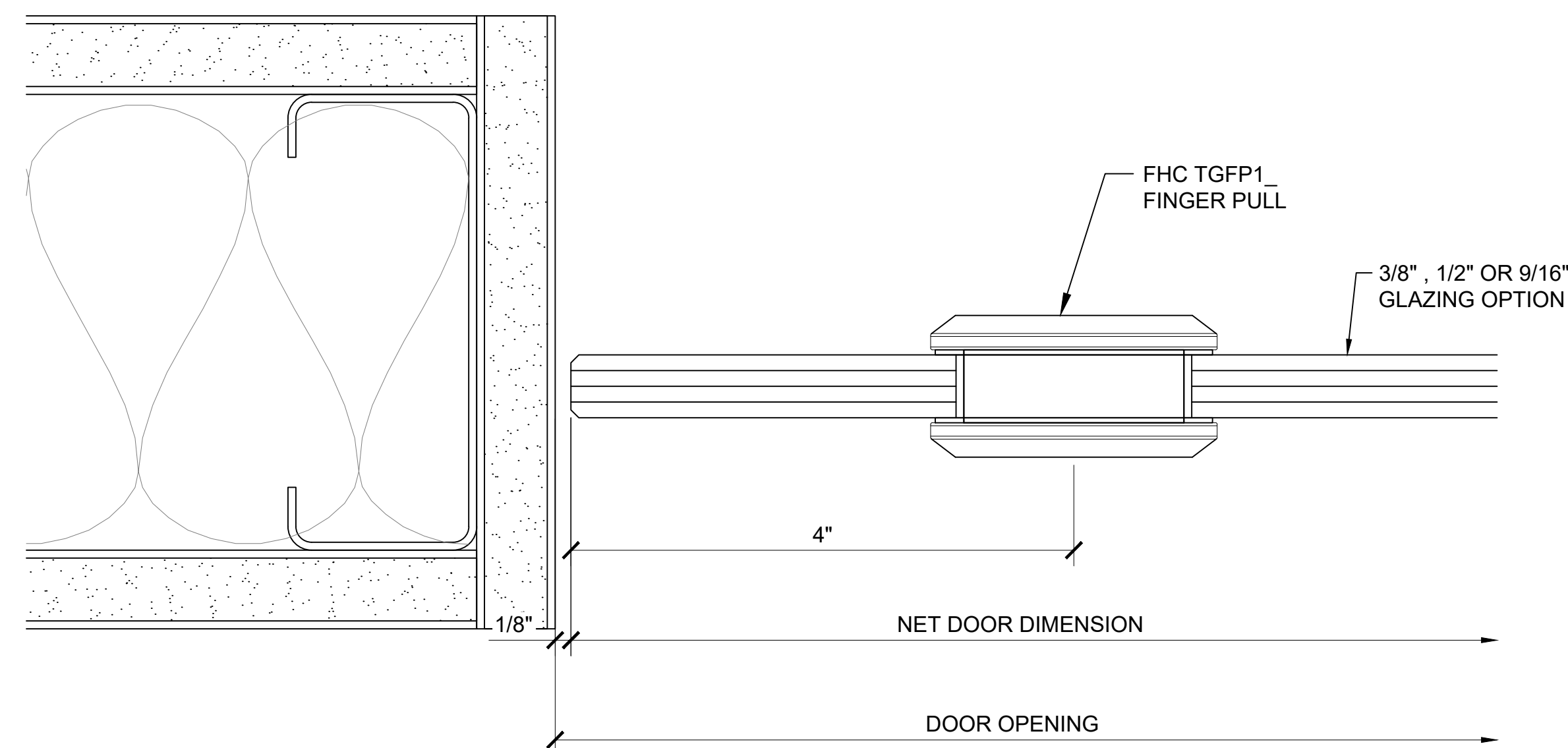
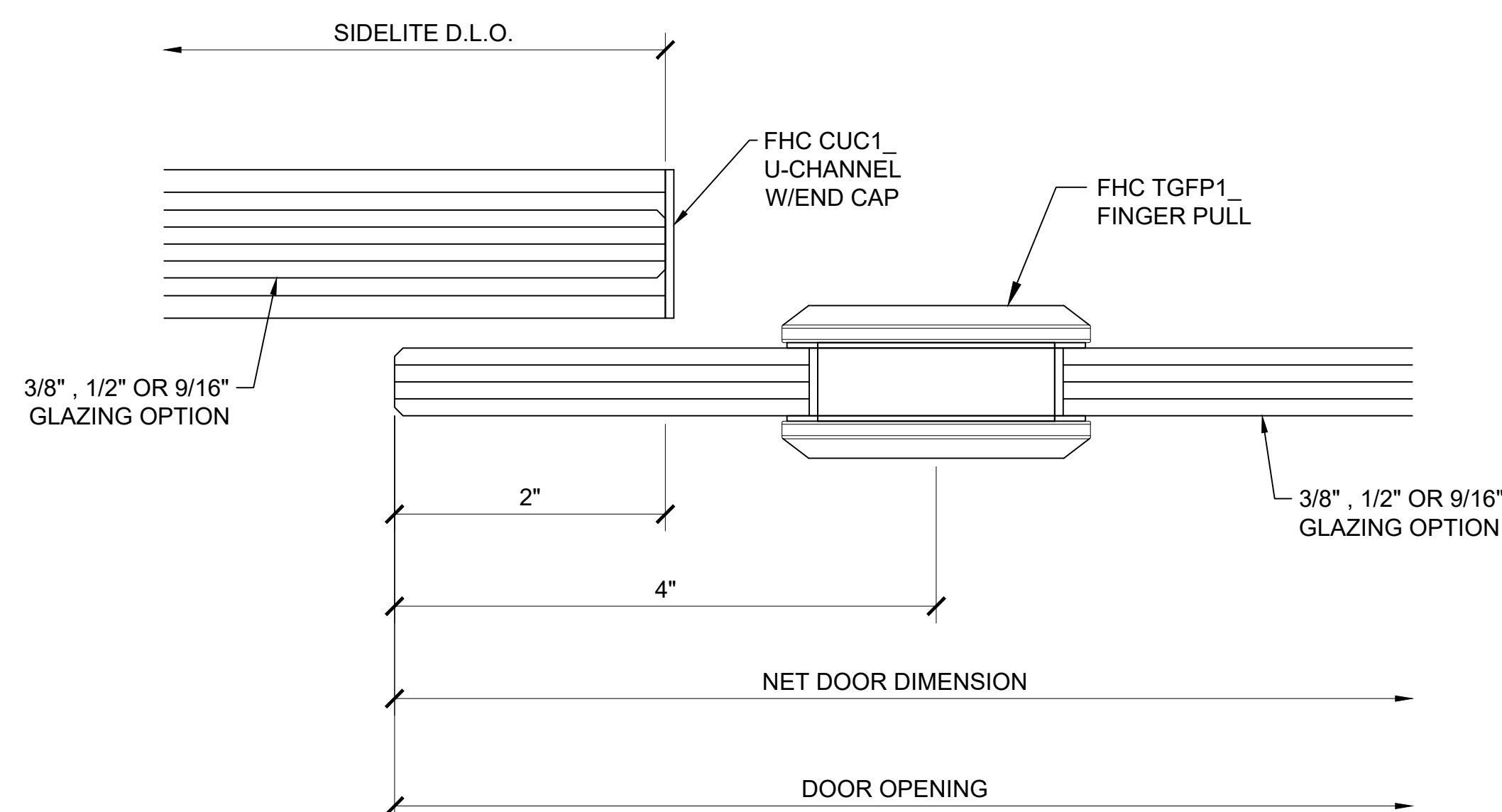
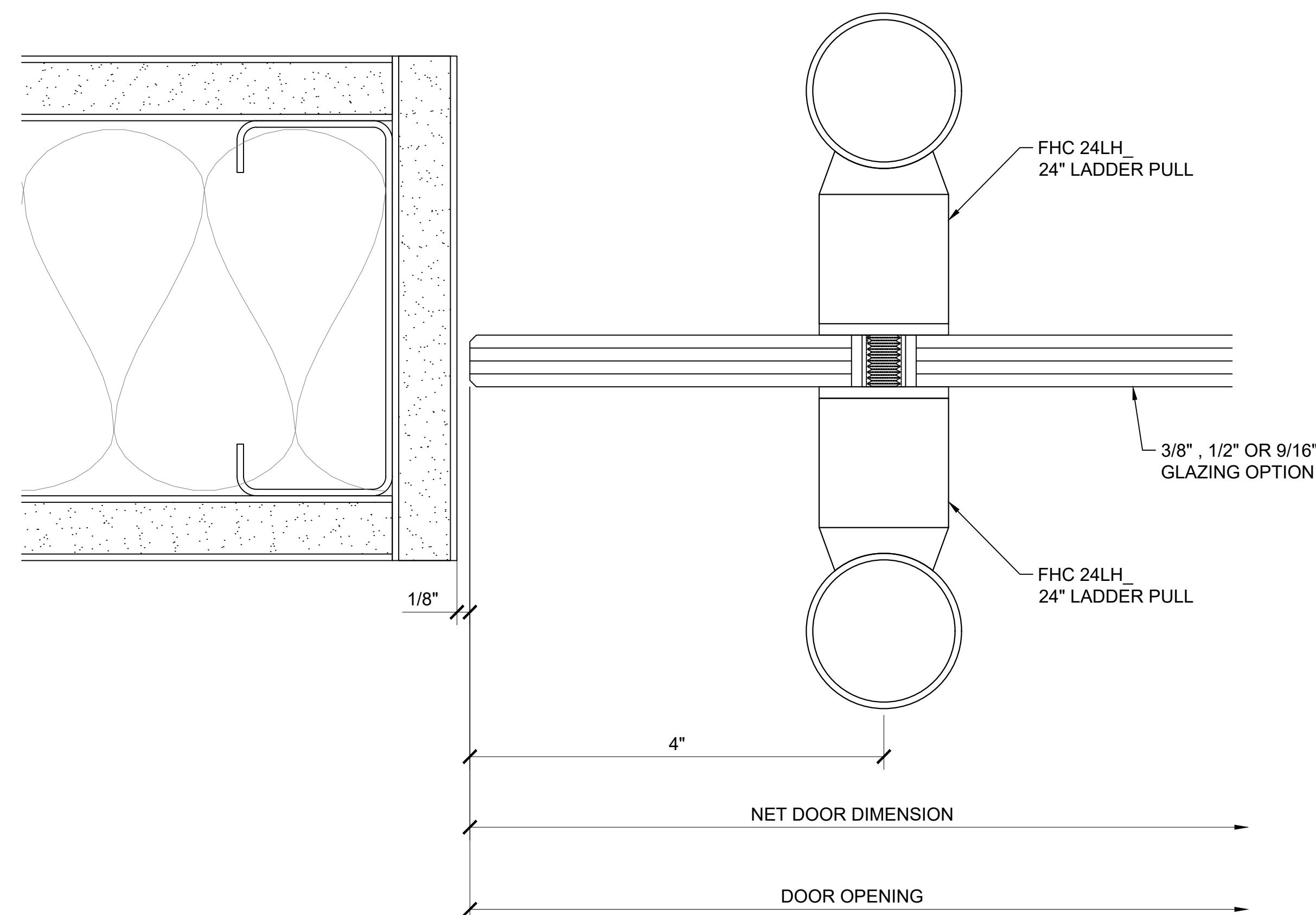
① DOOR JAMB DETAIL (DOOR CLOSED)

ARCH REF: 1'-0"=1'-0"



② DOOR JAMB DETAIL (DOOR CLOSED)

ARCH REF: 1'-0"=1'-0"



③ DOOR JAMB DETAIL (DOOR CLOSED)

ARCH REF: 1'-0"=1'-0"

④ DOOR JAMB DETAIL (DOOR CLOSED)

ARCH REF: 1'-0"=1'-0"

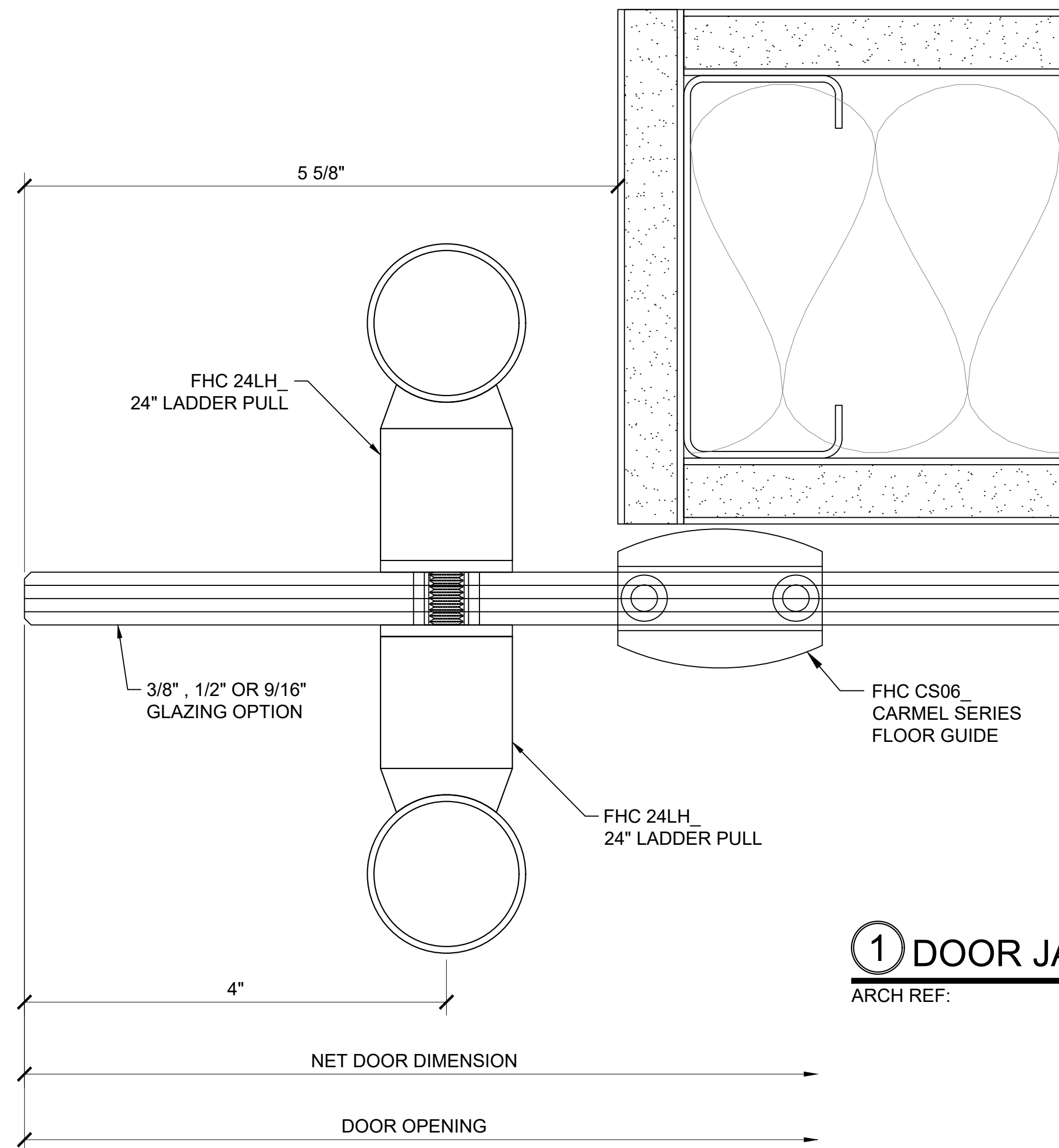
Architect: _____
 Phone: _____
 Fax: _____
 Contact: _____

Job Name: _____
 Phone: _____
 Fax: _____
 Contact: _____

Customer: _____
 Phone: _____
 Fax: _____
 Contact: _____

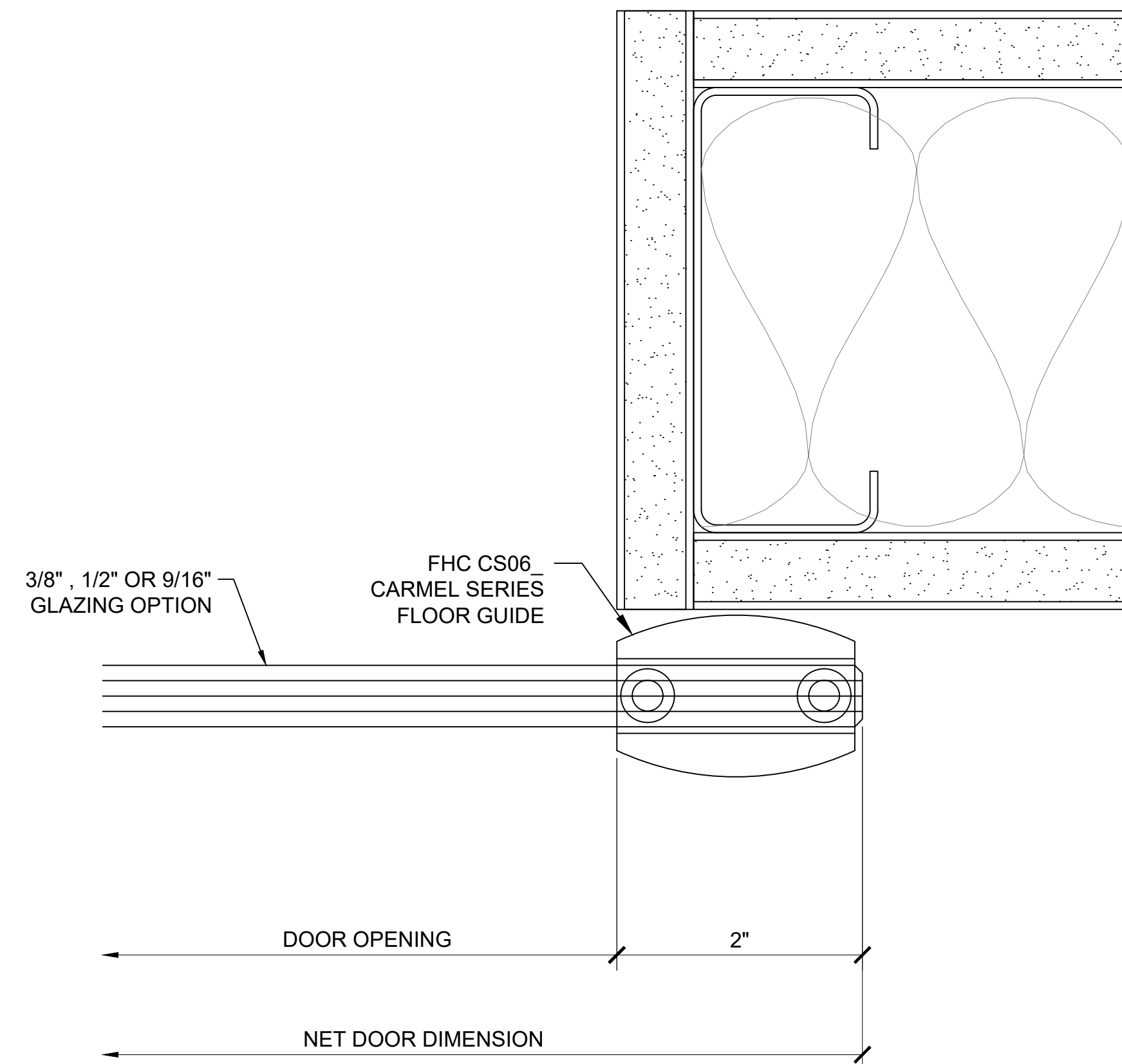
REV#	DATE	DRAWN BY
1		
2		
3		
4		
5		
6		

Drawn By: M.D.
 Checked By: -
 Date: 05.01.23
 Scale: AS NOTED
 Project #: 000000



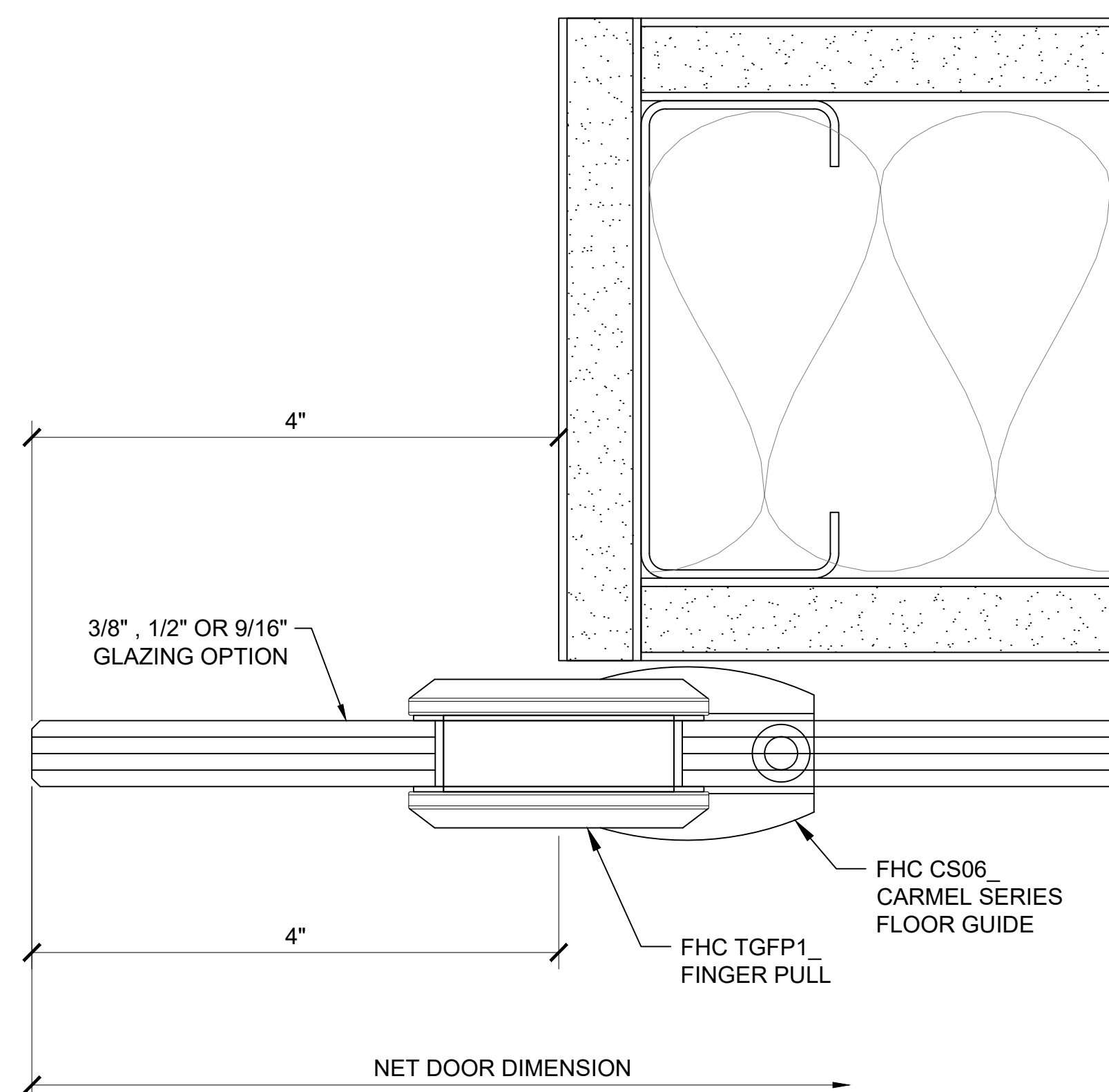
1 DOOR JAMB DETAIL (DOOR OPEN)

ARCH REF: 1'-0"=1'-0"



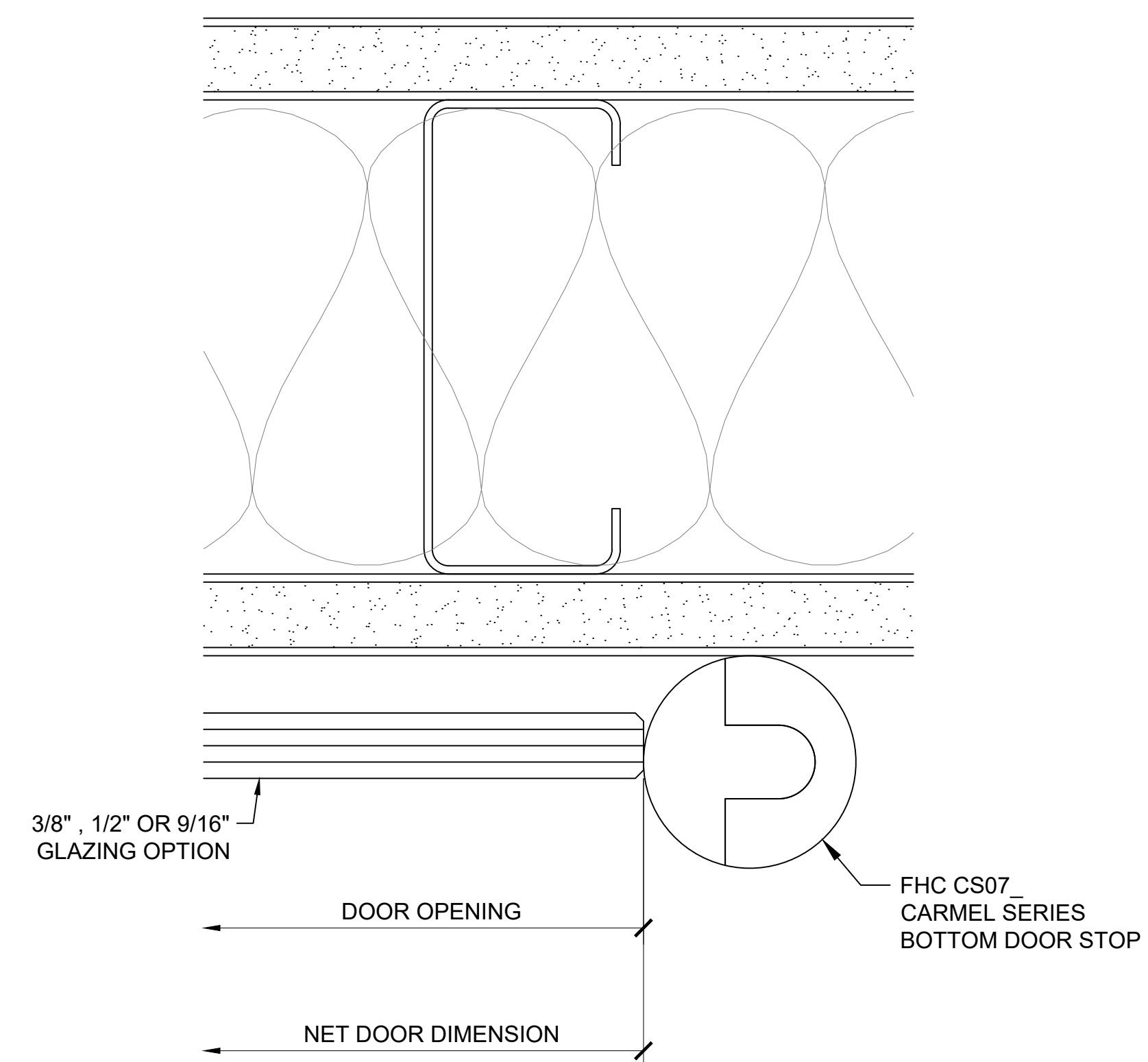
2 DOOR JAMB DETAIL (DOOR CLOSED)

ARCH REF: 1'-0"=1'-0"



3 DOOR JAMB DETAIL (DOOR OPEN)

ARCH REF: 1'-0"=1'-0"



4 DOOR JAMB DETAIL (DOOR OPEN)

ARCH REF: 1'-0"=1'-0"

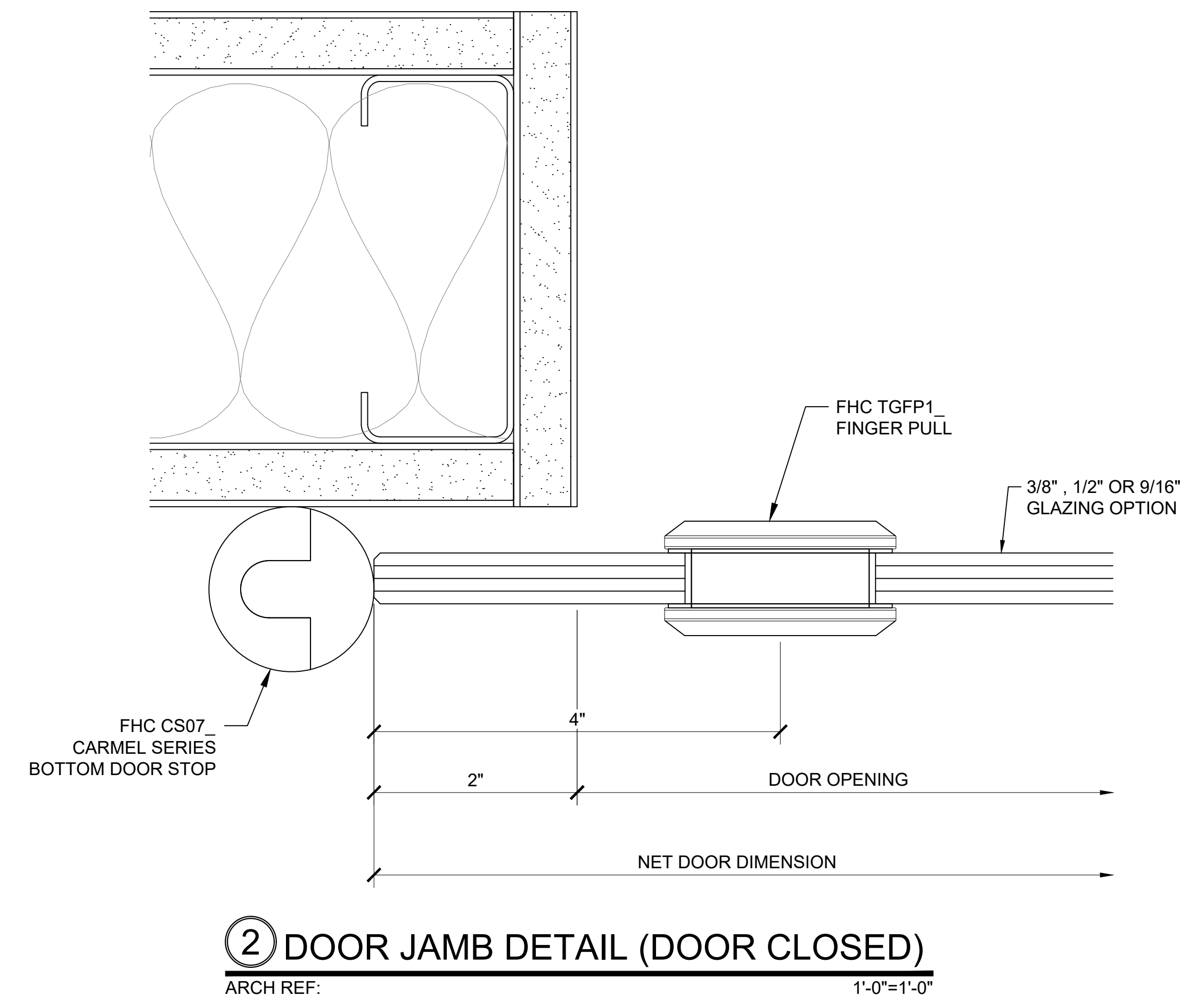
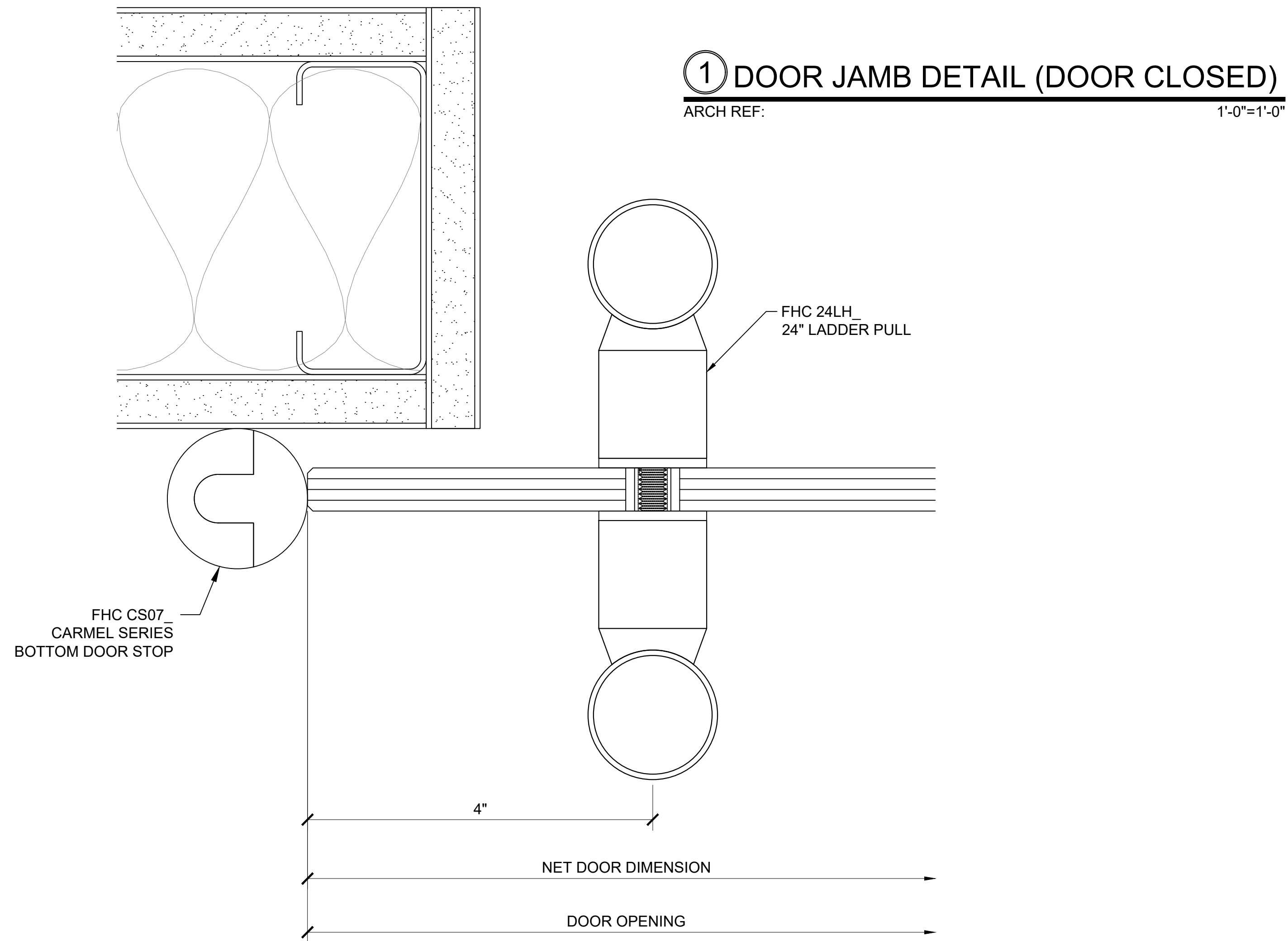
Architect: _____
 Phone: _____
 Fax: _____
 Contact: _____

Job Name: _____
 Phone: _____
 Fax: _____
 Contact: _____

Customer: _____
 Phone: _____
 Fax: _____
 Contact: _____

REV#	DATE	DRAWN BY
1		
2		
3		
4		
5		
6		

Drawn By: M.D.
 Checked By: -
 Date: 05.01.23
 Scale: AS NOTED
 Project #: 000000



Architect: _____ Phone: _____
 Fax: _____ Contact: _____

Job Name: _____ Phone: _____
 Fax: _____ Contact: _____

Customer: _____ Phone: _____
 Fax: _____ Contact: _____

REV#	DATE	DRAWN BY
0		
1		
2		
3		
4		
5		
6		

Drawn By: M.D.
 Checked By: -
 Date: 05.01.23
 Scale: AS NOTED
 Project #: 000000