

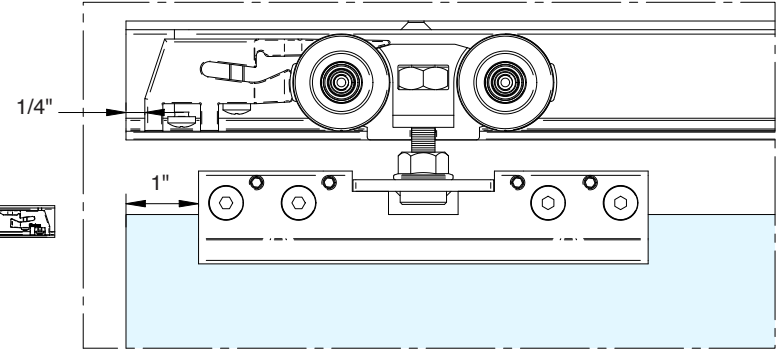
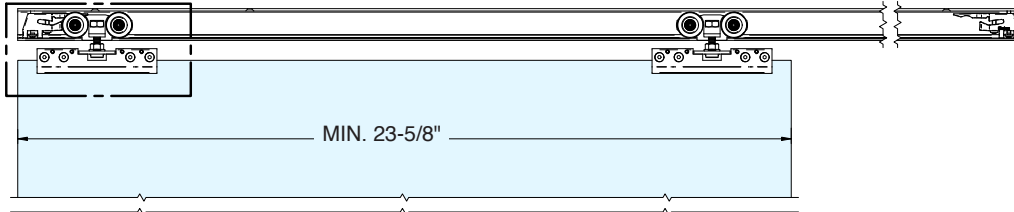
FHC CLASSIC 140 SERIES SLIDER

Top Hung Single Sliding Door Kit Wall and Ceiling Mount

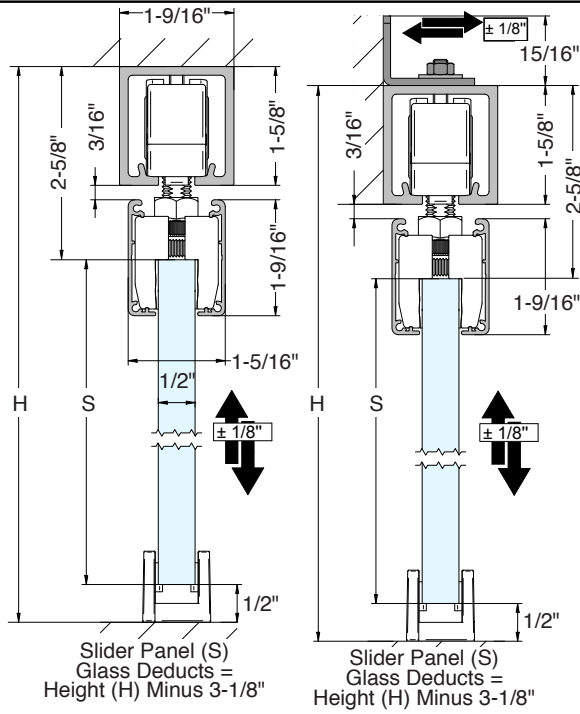
• For 3/8", 1/2" and 3/4" Glass



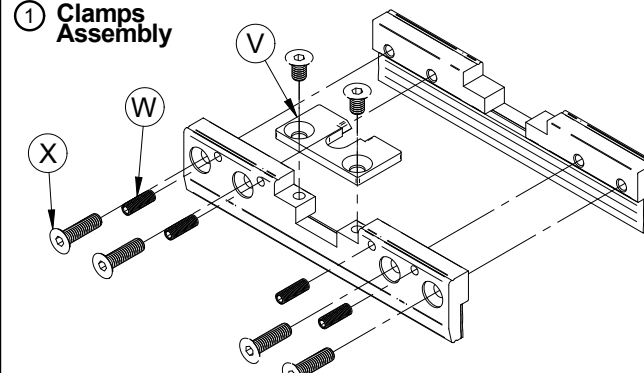
a		2	d		1
b		2	e		2
c		2	f		1



OCT. 2020
038060...



1 Clamps Assembly



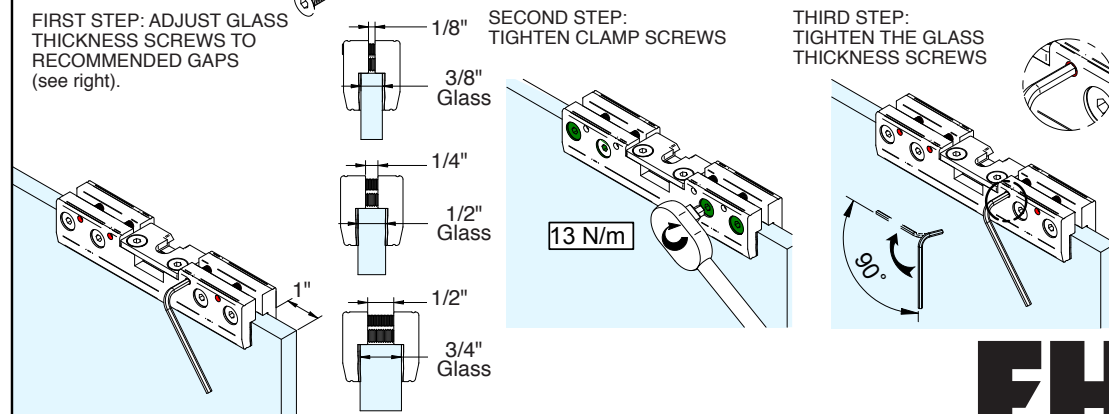
FIRST STEP: ADJUST GLASS THICKNESS SCREWS TO RECOMMENDED GAPS (see right).

SECOND STEP: TIGHTEN CLAMP SCREWS

THIRD STEP: TIGHTEN THE GLASS THICKNESS SCREWS

V ₁		Glass 3/8"
		Glass 1/2"
V ₂		Glass 3/4"

W ₁		Glass 3/8"
X ₁		Glass 1/2"
W ₂		Glass 3/4"
X ₂		Glass 3/4"



ITEM NO.	FINISH
CL140SA	SATIN ANODIZED
CL140MB	MATTE BLACK

EXPERIENCE AND INNOVATION

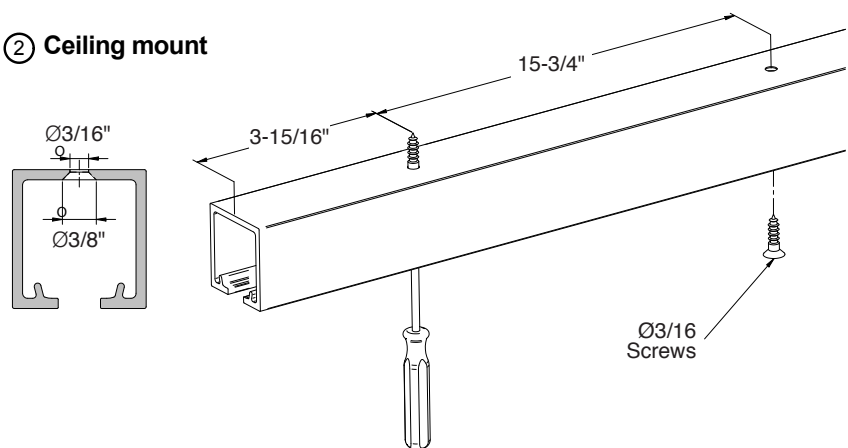


FRAMELESS HARDWARE COMPANY
THE GLAZING SUPPLY COMPANY

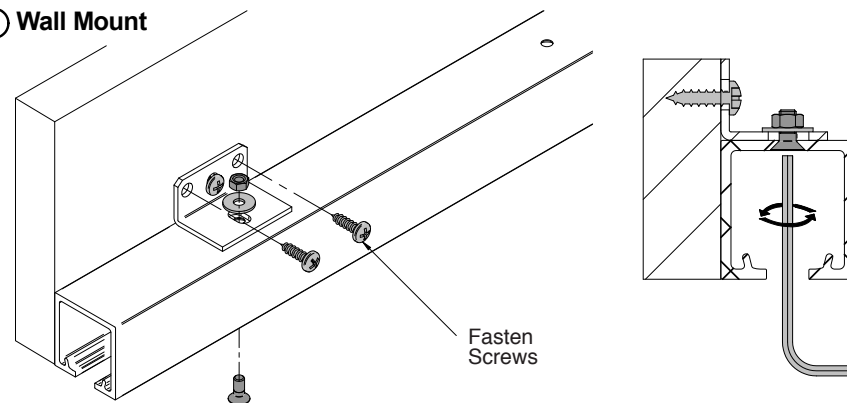
FRAMELESS HARDWARE COMPANY

P.O. Box 1906, South Gate, CA 90280 Toll Free: (888) 295-4531 | Fax: 323 336-8307 | Web: fhc-usa.com

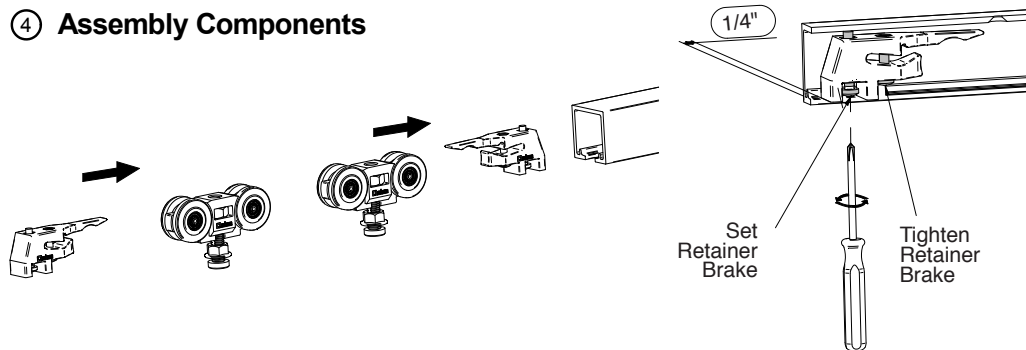
② Ceiling mount



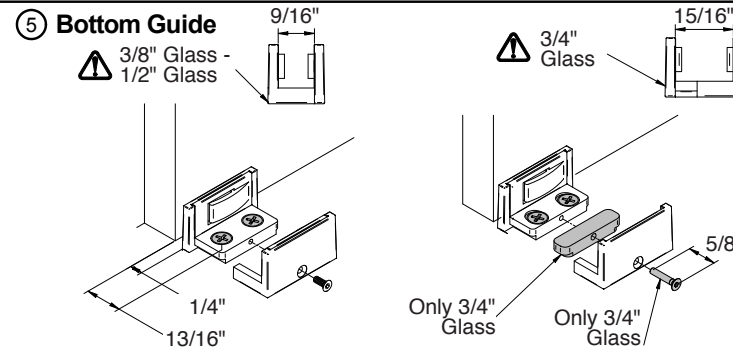
③ Wall Mount



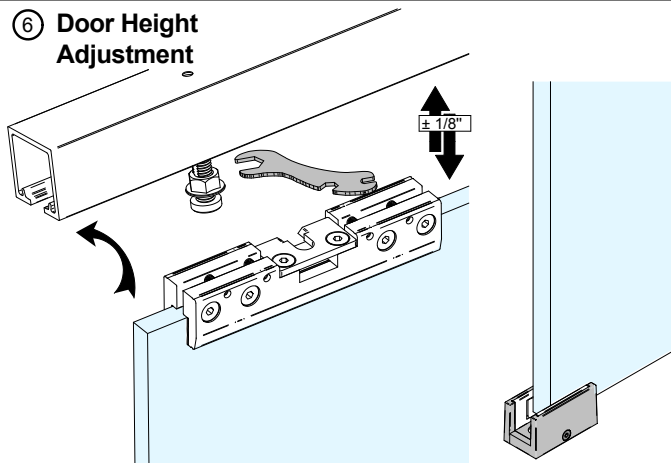
④ Assembly Components



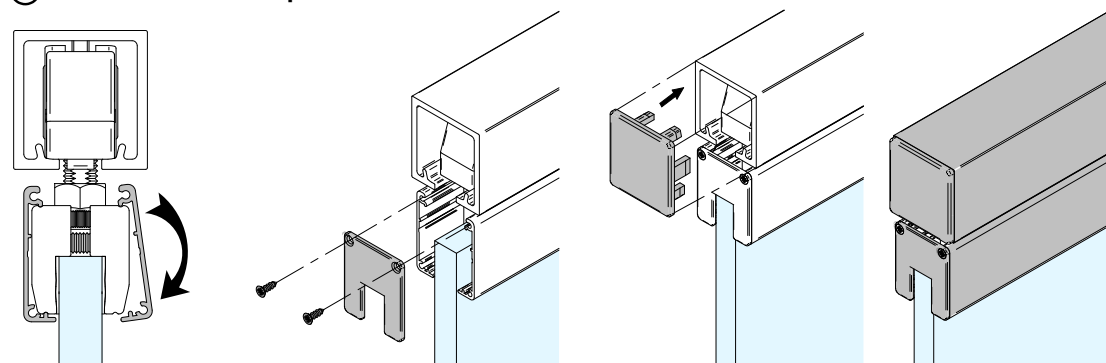
⑤ Bottom Guide



⑥ Door Height Adjustment



⑦ Install End Cover Caps



For Technical Support
Call Toll Free in the U.S.
(888) 295-4531

EXPERIENCE AND INNOVATION

FHC[®]
FRAMELESS HARDWARE COMPANY
THE GLAZING SUPPLY COMPANY