

# FHC CLEARWATER SERIES 90 DEGREE GLASS ADAPTER

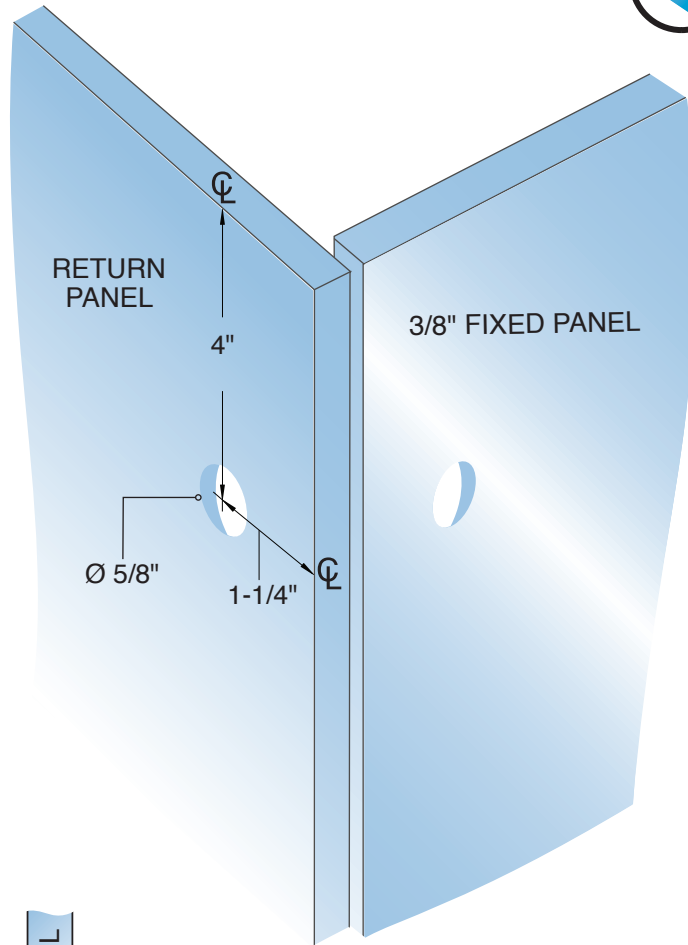
TEMPLATE FOR 3/8" GLASS

ITEM NO. CWS90

DO NOT MEASURE / SCALE DRAWING  
USE DIMENSIONS SHOWN



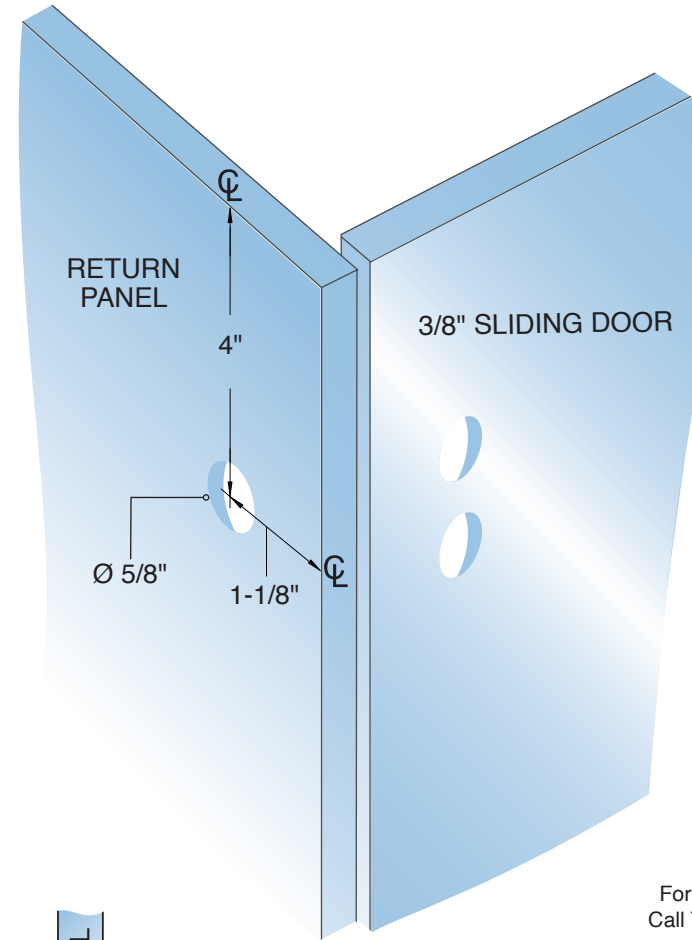
Use Monolithic  
Tempered Glass



RETURN PANEL

90°

3/8" FIXED PANEL



RETURN PANEL

90°

3/8" SLIDING DOOR



For Technical Support  
Call Toll Free in the U.S.  
**(888) 295-4531**



# FHC CLEARWATER SERIES 90 DEGREE GLASS ADAPTER

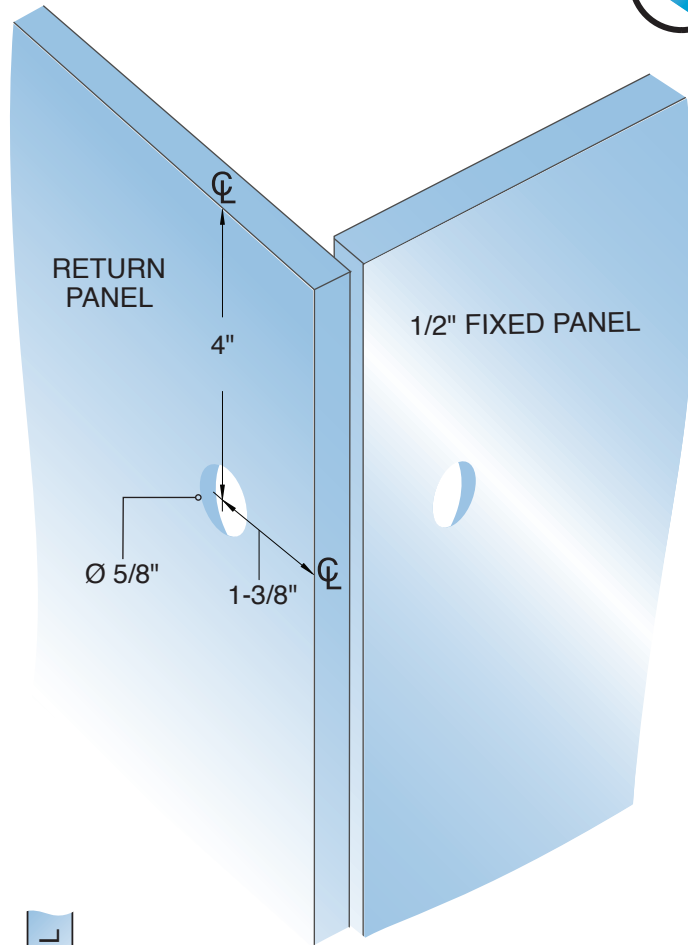
## TEMPLATE FOR 1/2" GLASS

### ITEM NO. CWS90

DO NOT MEASURE / SCALE DRAWING  
USE DIMENSIONS SHOWN



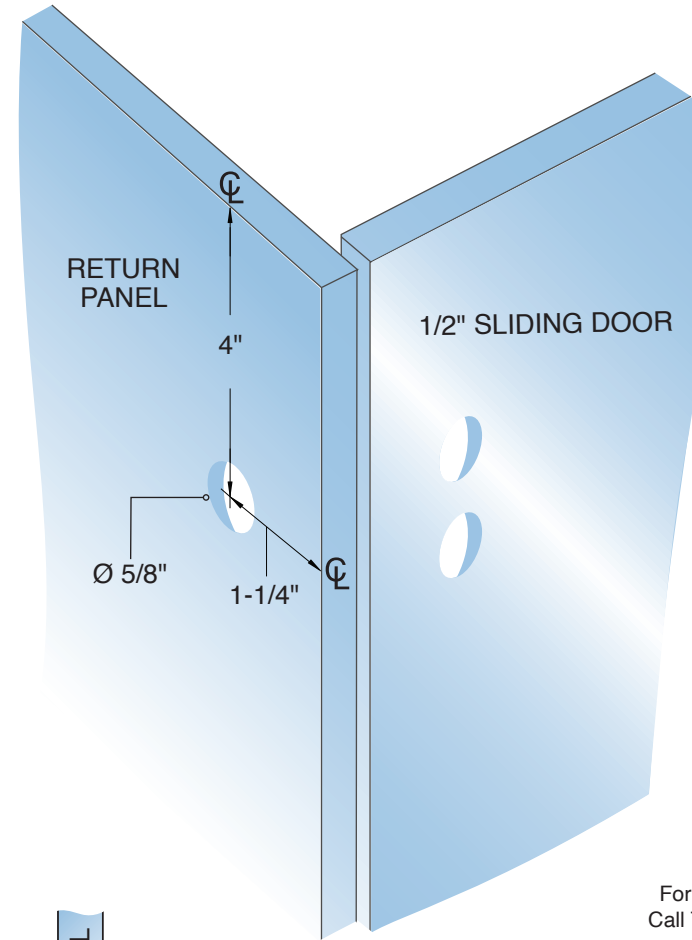
Use Monolithic  
Tempered Glass



RETURN PANEL

90°

1/2" FIXED PANEL



RETURN PANEL

90°

1/2" SLIDING DOOR



For Technical Support  
Call Toll Free in the U.S.  
**(888) 295-4531**

**FHC**<sup>®</sup>  
 FRAMELESS HARDWARE COMPANY  
 THE GLAZING SUPPLY COMPANY  
 EXPERIENCE AND INNOVATION