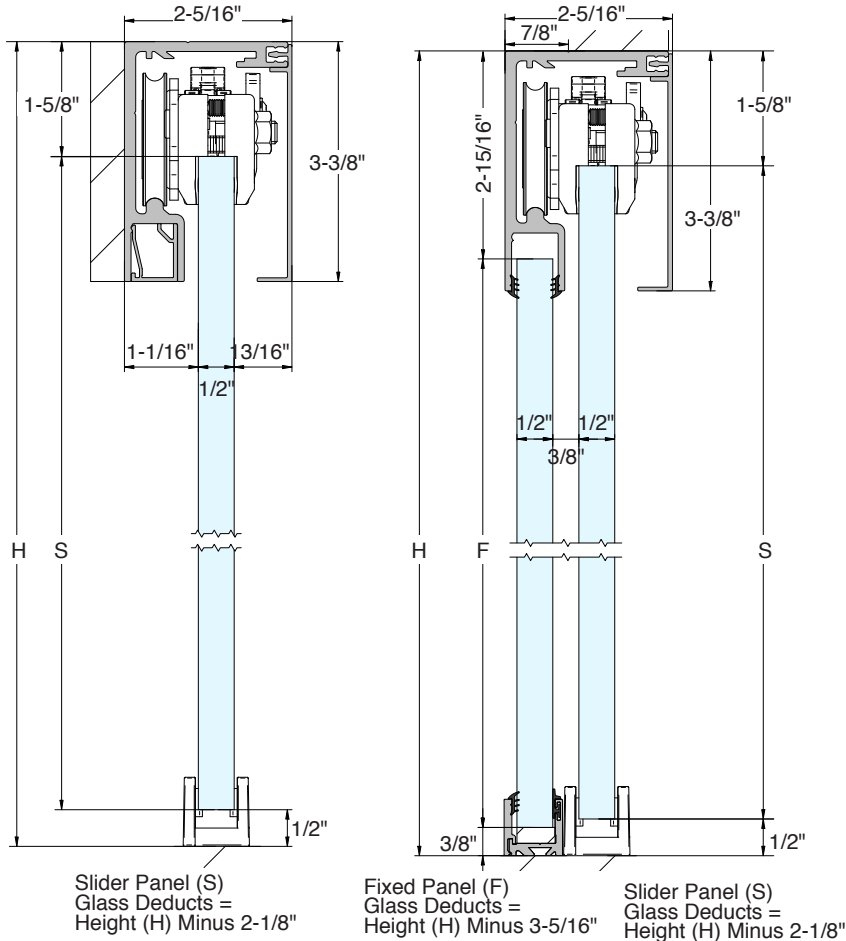


# FHC COMPACT 160 SERIES SLIDER

Top Hung Single Sliding with or with-out Fixed Panel Door Kit Wall & Ceiling Mount

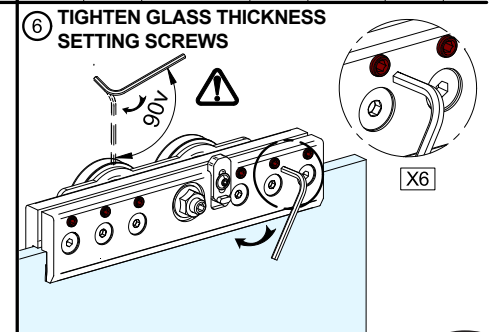
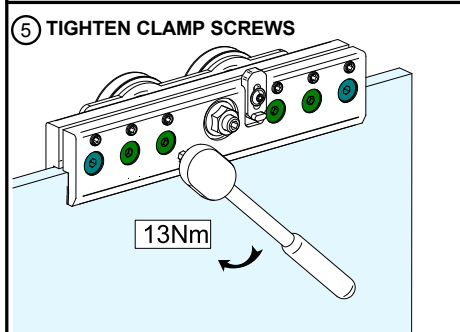
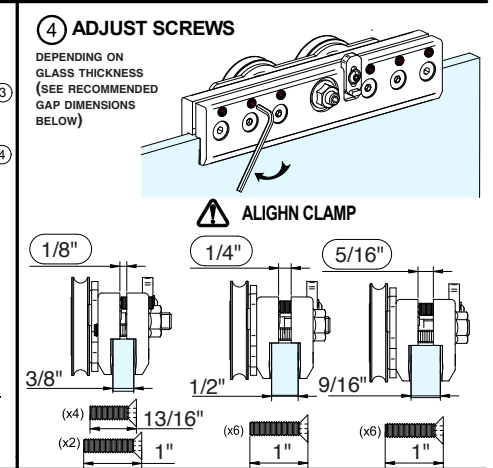
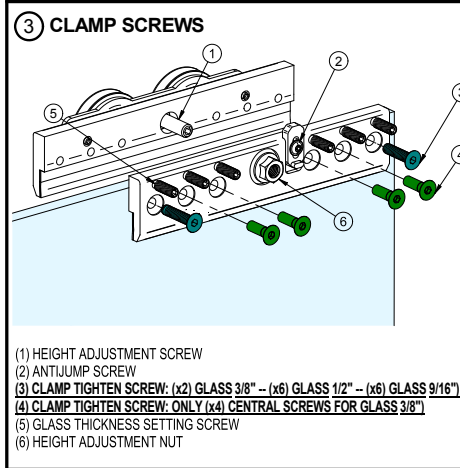
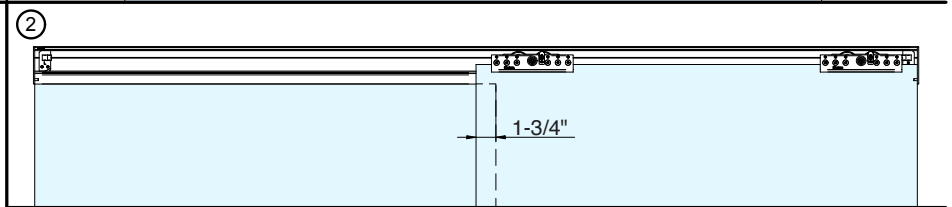
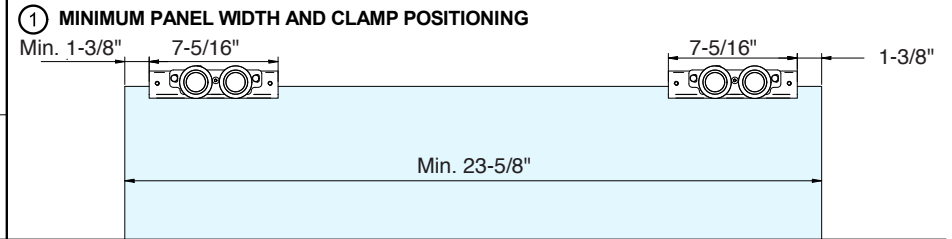


• For 3/8", 1/2" and 9/16" Glass



SINGLE SLIDER ITEM NO.	FINISH
COM160SA	SATIN ANODIZED
COM160MB	MATTE BLACK

SINGLE SLIDER W/ FIXED PANEL ITEM NO.	FINISH
COM161SA	SATIN ANODIZED
COM161MB	MATTE BLACK



EXPERIENCE AND INNOVATION



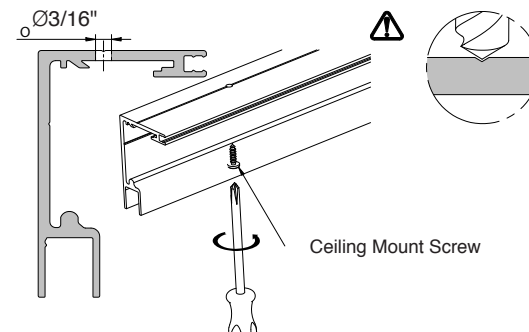
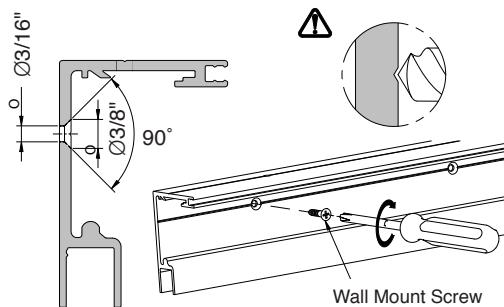
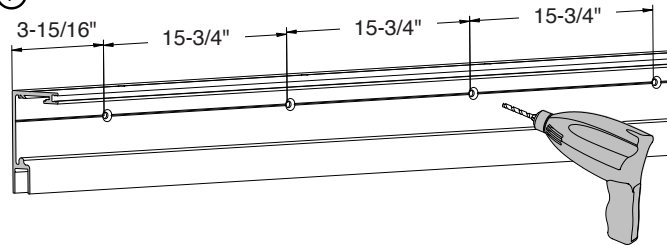
FRAMELESS HARDWARE COMPANY  
THE GLAZING SUPPLY COMPANY

FRAMELESS HARDWARE COMPANY

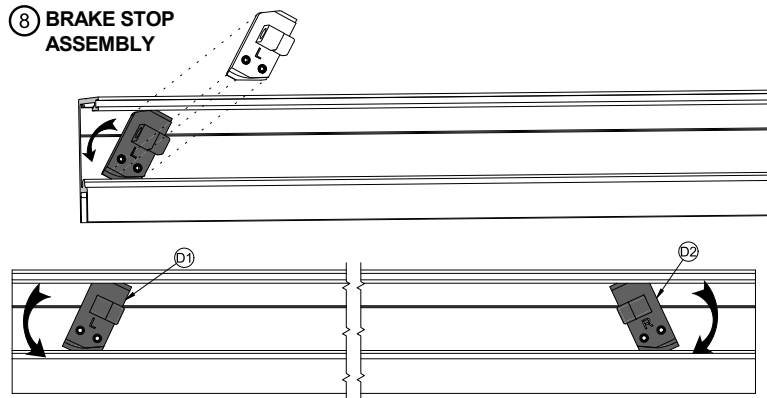
P.O. Box 1906, South Gate, CA 90280

Toll Free: (888) 295-4531 | Fax: 323 336-8307 | Web: fhc-usa.com

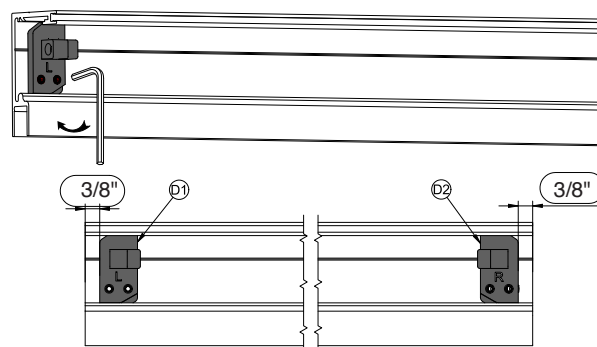
7 TOP TRACK MOUNT



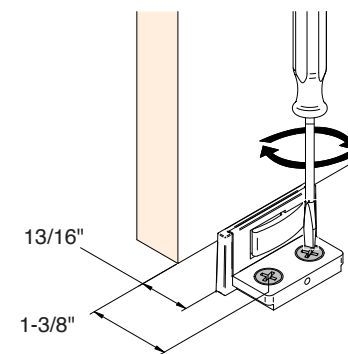
8 BRAKE STOP ASSEMBLY



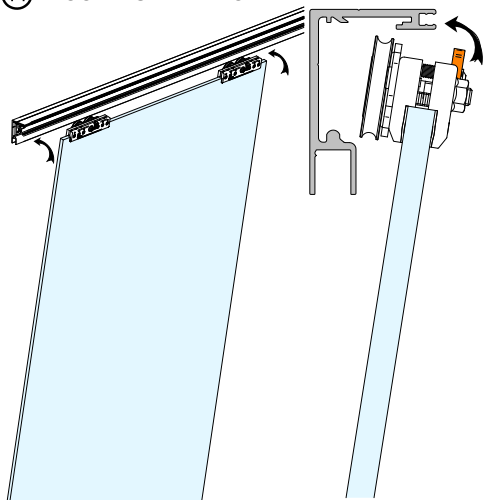
9 TIGHTEN SCREWS



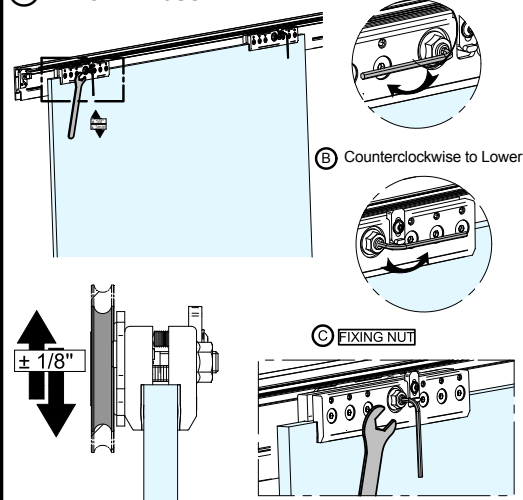
10 LOWER GUIDE INSTALLATION



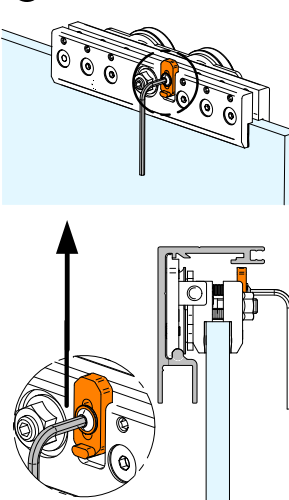
11 DOOR INSTALLATION



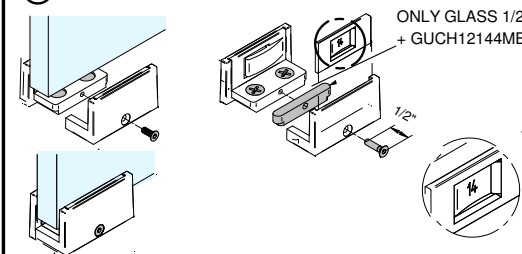
12 HEIGHT ADJUSTMENT



13 ANTI-JUMP SCREW



14 LOWER GUIDE INSTALLATION



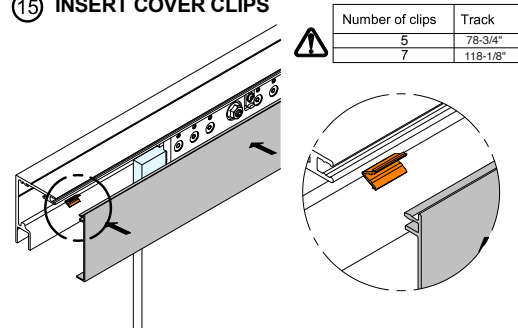
	GLASS 3/8"	GLASS 1/2"	GLASS 9/16"	GLASS 3/8" + GUCH38144MB	GLASS 1/2" + GUCH12144MB
PLASTICS N°	10	12	14	10	14
	NO	NO	NO	YES	YES



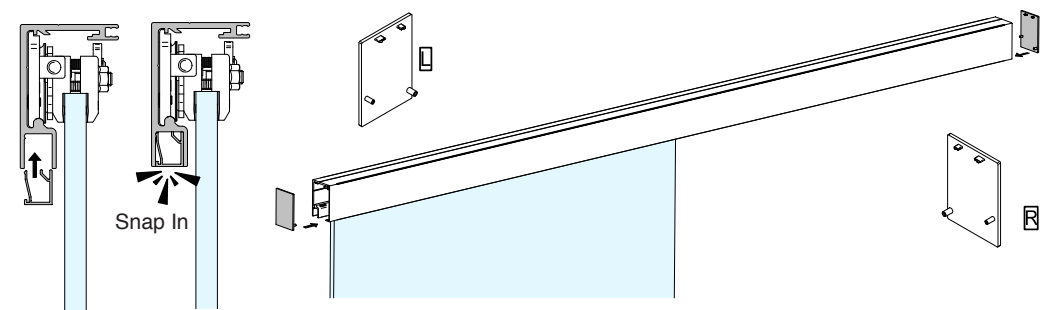
EXPERIENCE AND INNOVATION

FRAMELESS HARDWARE COMPANY  
THE GLAZING SUPPLY COMPANY

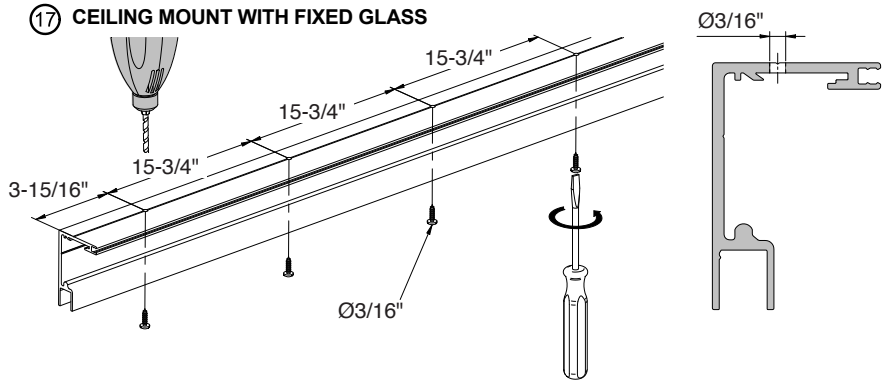
15 INSERT COVER CLIPS



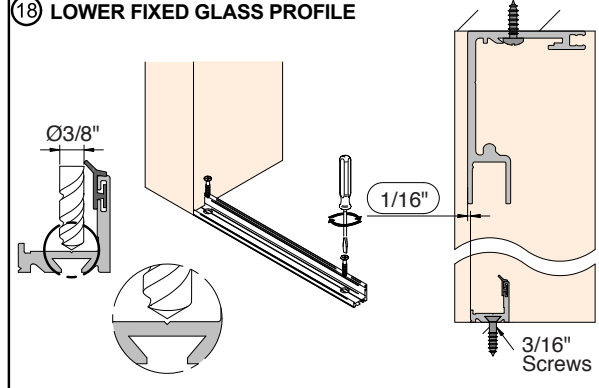
16 FIXED PANEL CHANNEL AND END COVERS



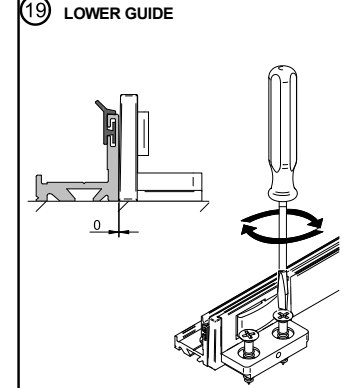
17 CEILING MOUNT WITH FIXED GLASS



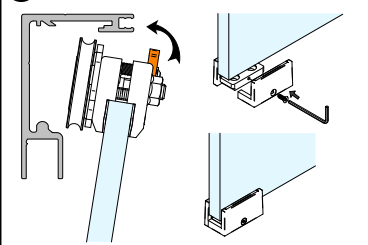
18 LOWER FIXED GLASS PROFILE



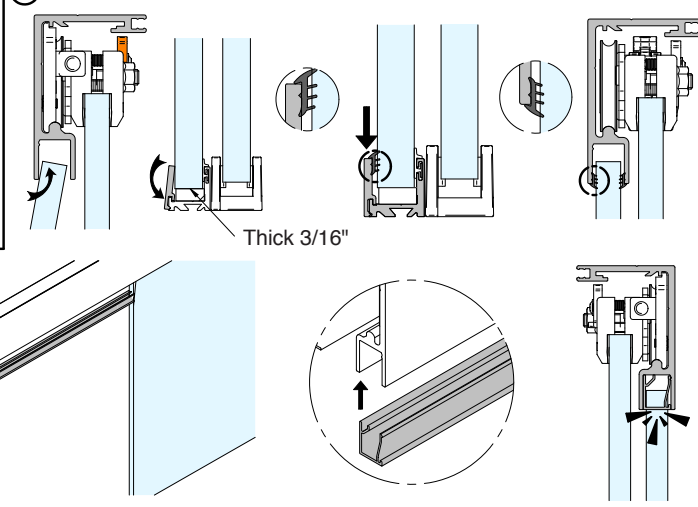
19 LOWER GUIDE



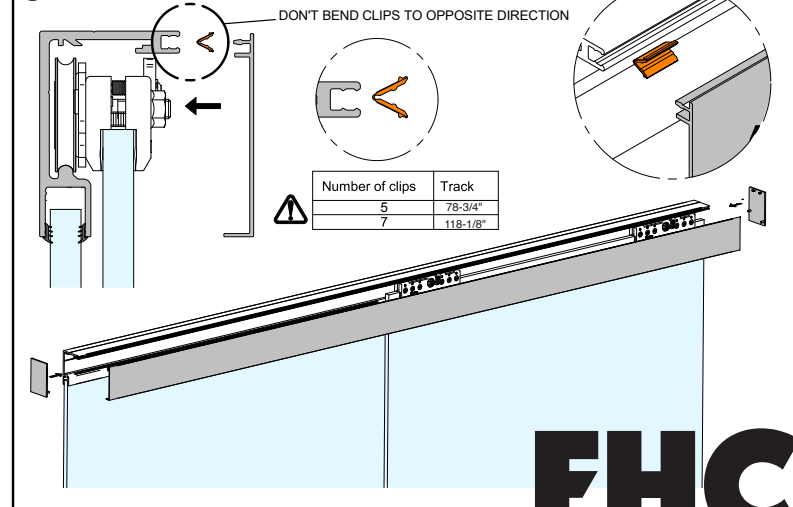
20 DOOR INSTALLATION



21 FIXED GLASS MOUNT



22 END COVERS MOUNT



# FHC<sup>®</sup>

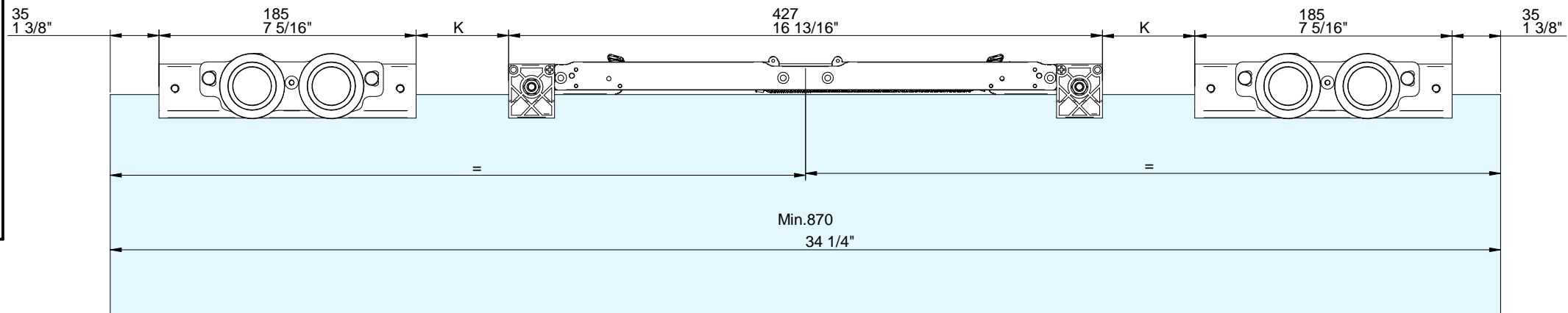
FRAMELESS HARDWARE COMPANY  
THE GLAZING SUPPLY COMPANY

MAX.  
160kg

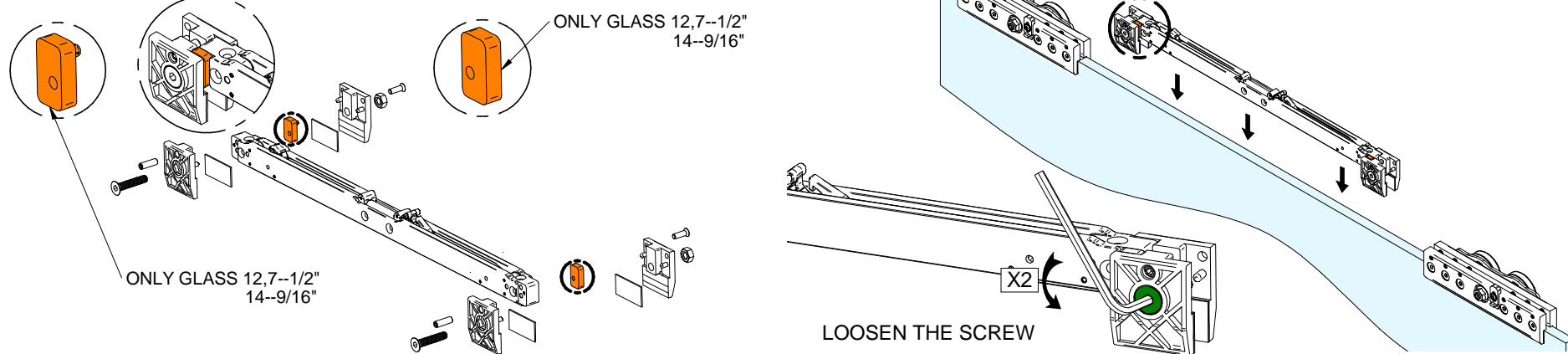
## COMPACT 160 Softop assembly

JAN. 2021

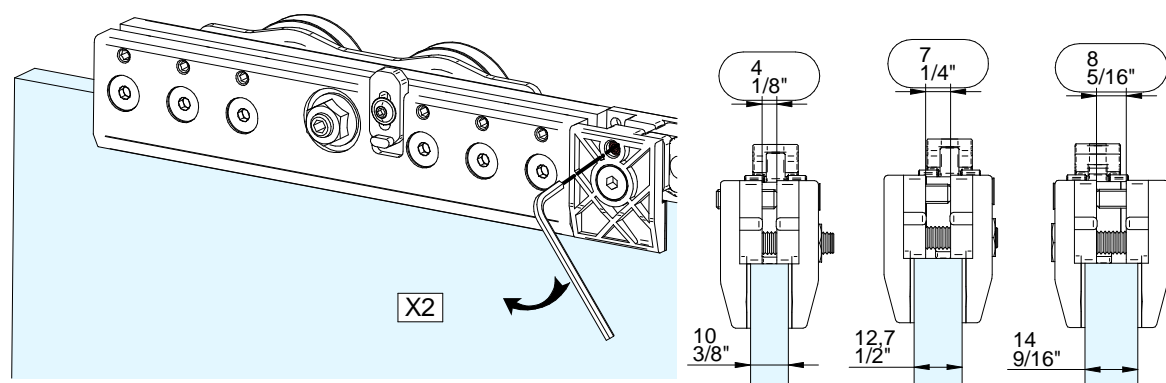
### 1 MINIMUM PANEL WIDTH AND CLAMP POSITIONING



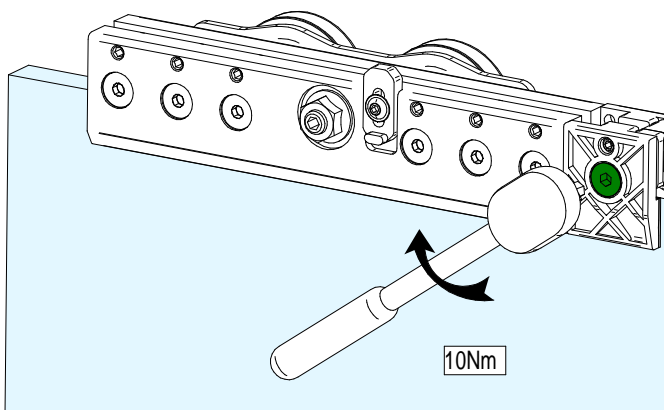
### 2 SOFTOP INSTALLATION



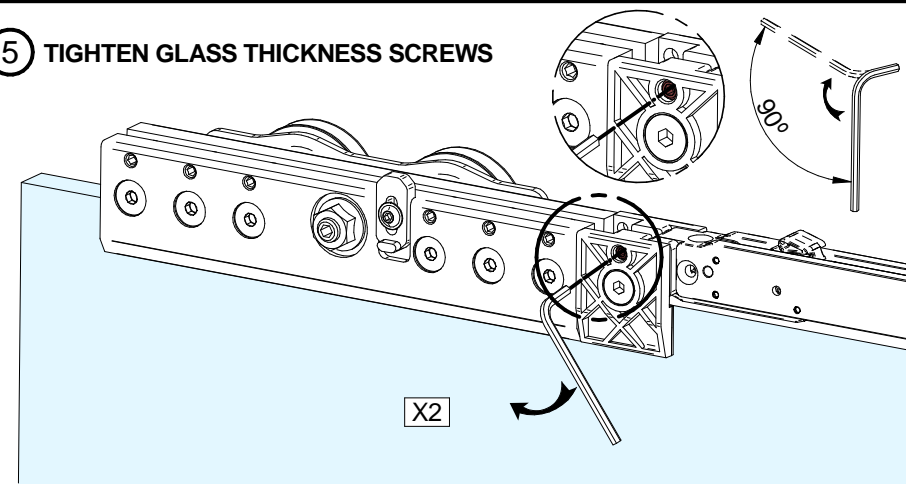
### 3 ADJUST GLASS THICKNESS SCREWS TO GAPS SHOWN



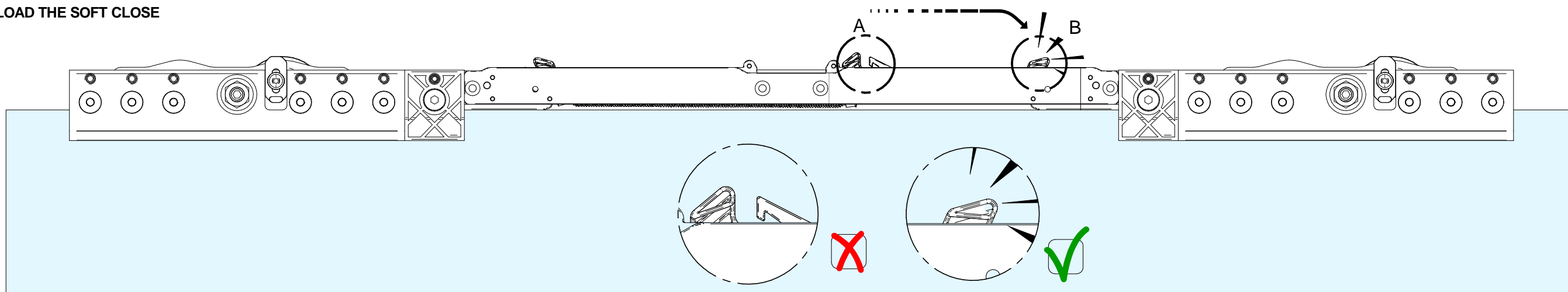
### 4 TIGHT THE CLAMP SCREWS



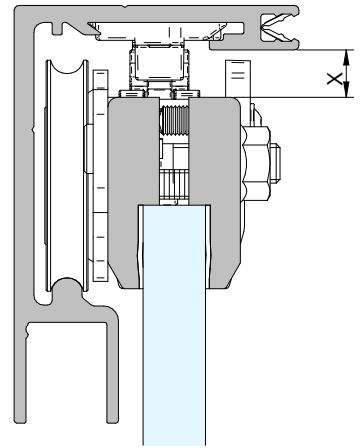
### 5 TIGHTEN GLASS THICKNESS SCREWS



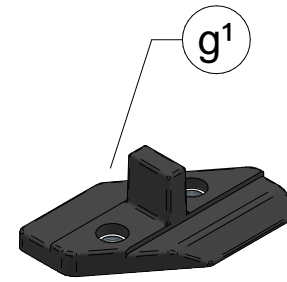
### 6 LOAD THE SOFT CLOSE



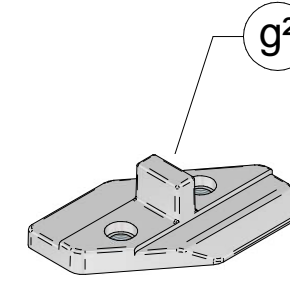
IMPORTANT! CAREFULLY CHOOSES THE CORRECT ACTIVATOR PIN LENGTH ACCORDING TO "X" DISTANCE



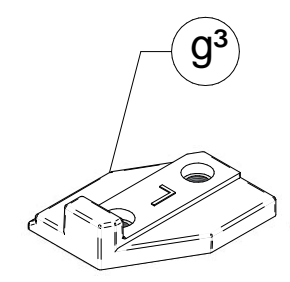
$g^1$		$X \geq 7/16"$ $X \geq 10,5\text{mm}$
$g^2$		$5/16" < X < 7/16"$ $8,5\text{mm} < X < 10,5\text{mm}$
$g^3$		$X \leq 5/16"$ $X \leq 8,5\text{mm}$



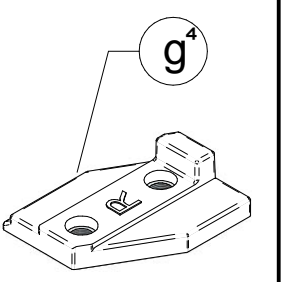
Black



Gray



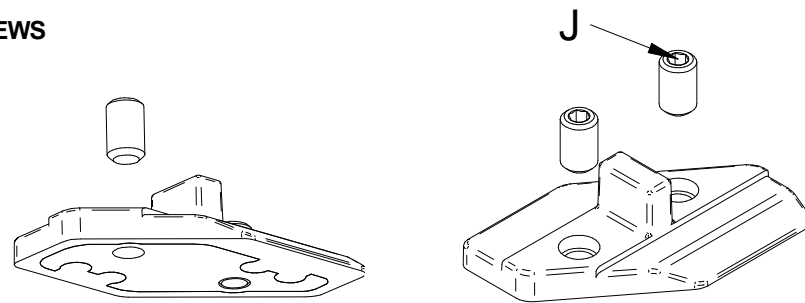
Left



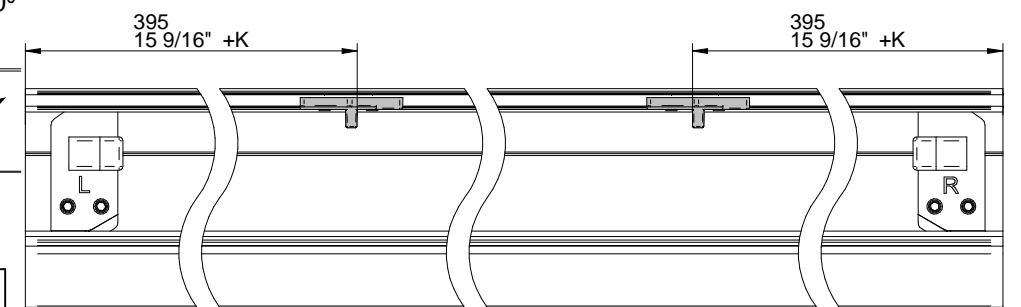
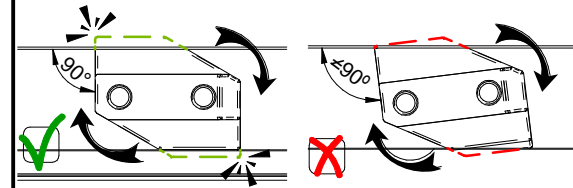
White

Right

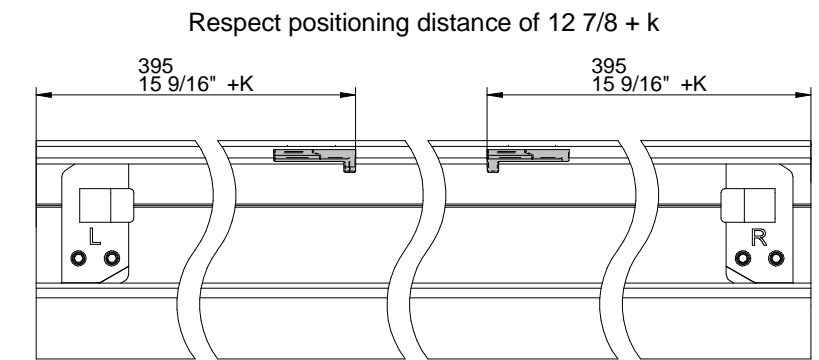
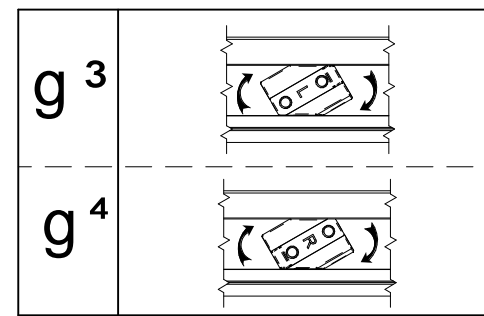
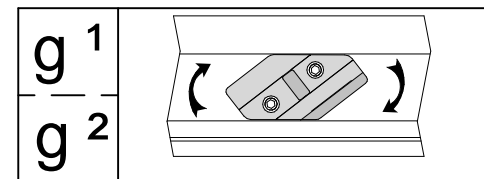
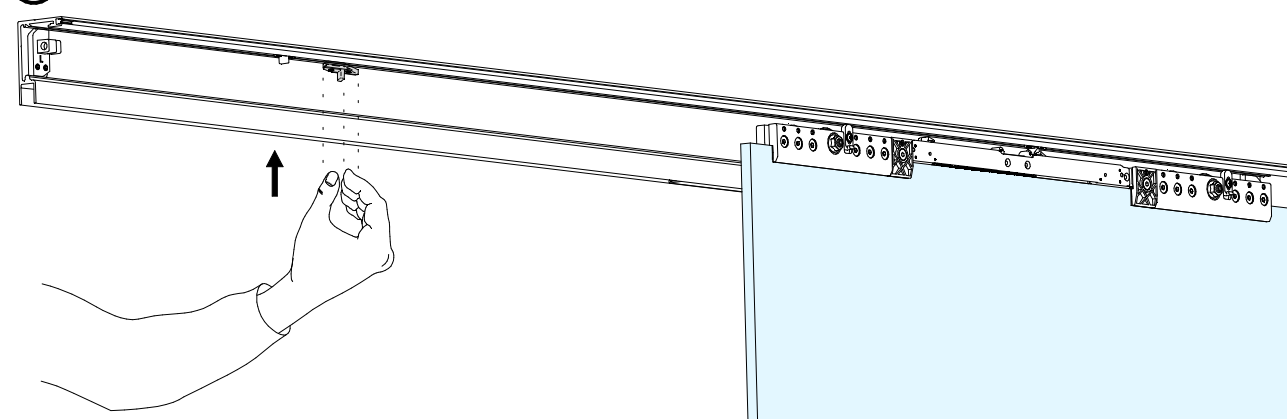
⑦ INSERT SCREWS



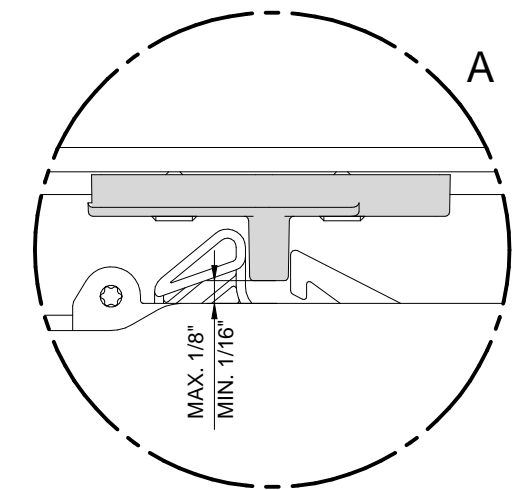
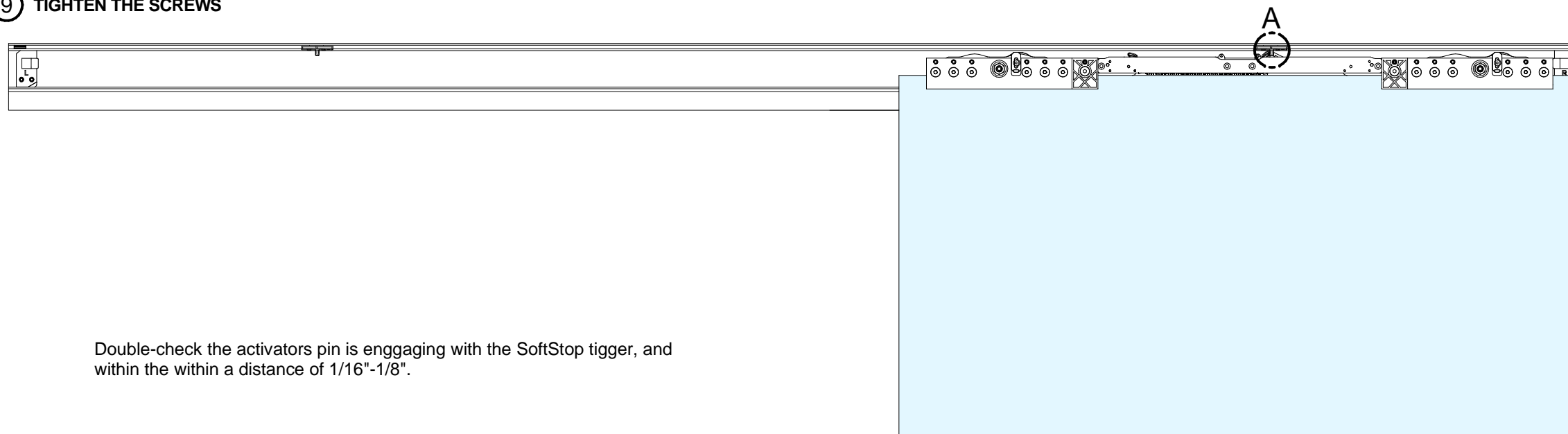
Make sure activators are completely turned at 90°



⑧ MOUNT SOFT CLOSE ACTIVATORS



⑨ TIGHTEN THE SCREWS



Double-check the activators pin is engaging with the SoftStop trigger, and within the within a distance of 1/16"-1/8".