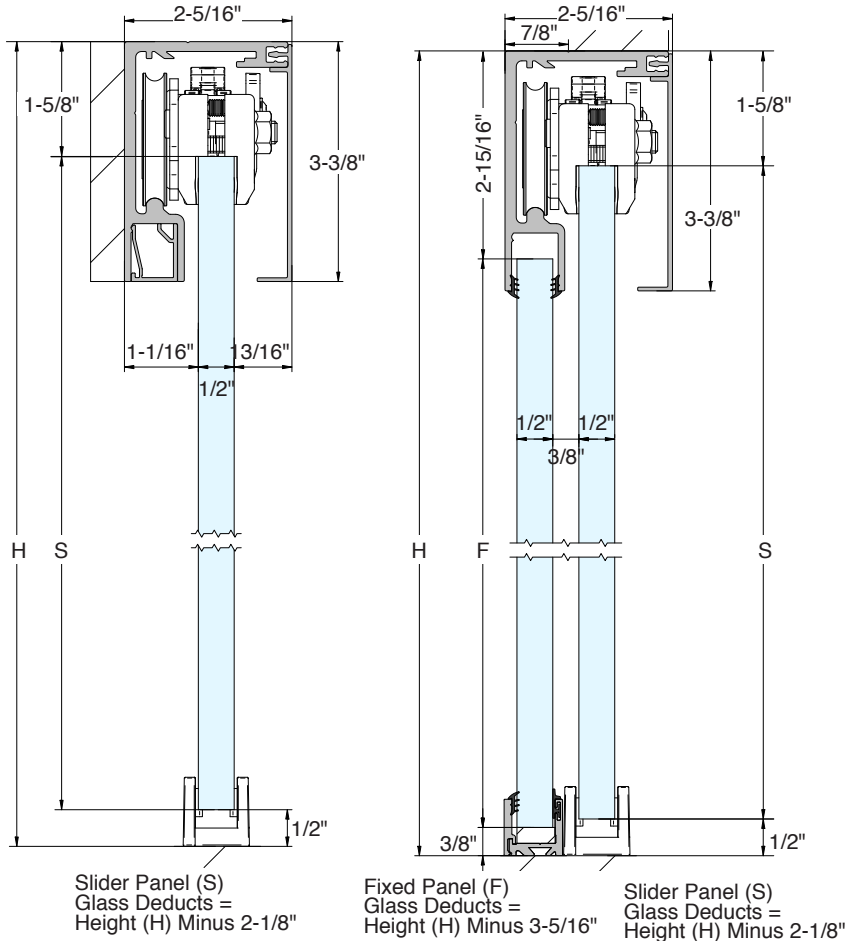


FHC COMPACT 160 SERIES SLIDER

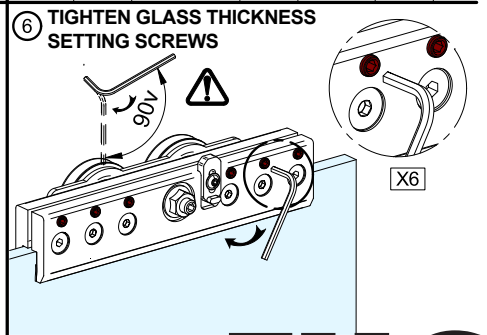
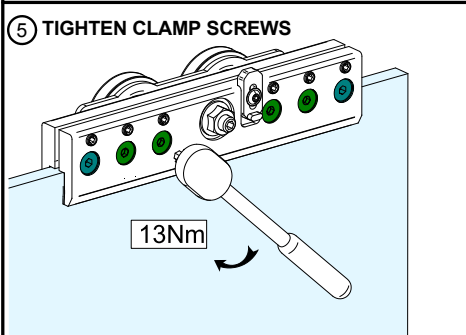
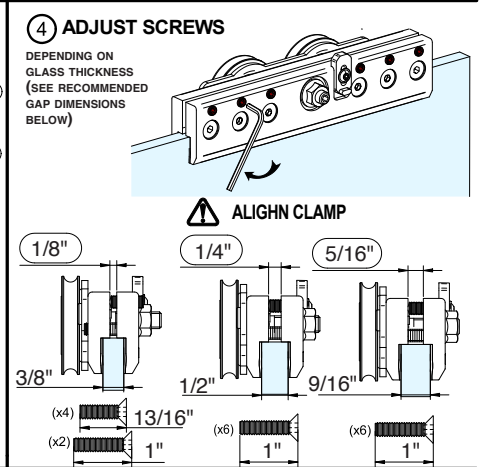
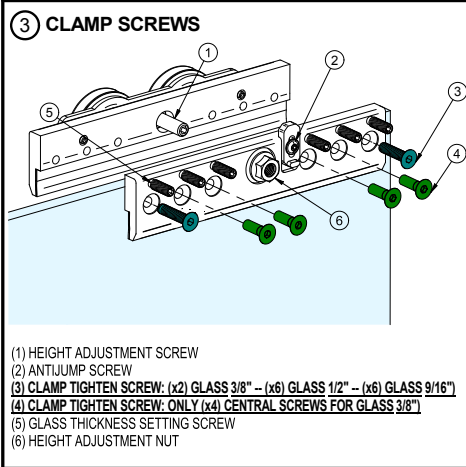
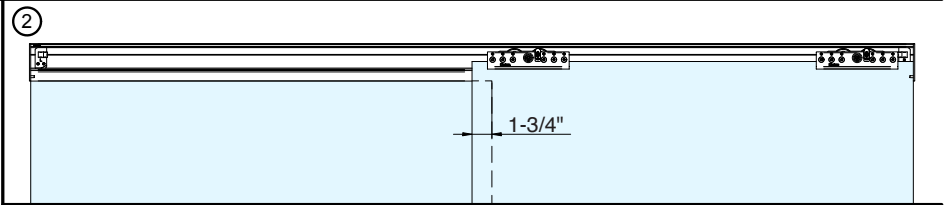
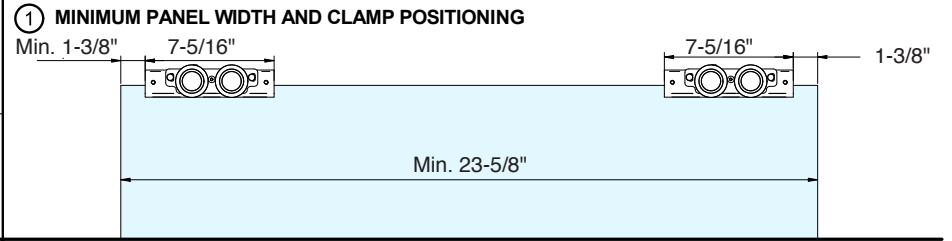
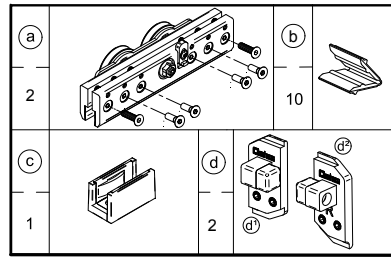
Top Hung Single Sliding with or with-out Fixed Panel Door Kit Wall & Ceiling Mount

• For 3/8", 1/2" and 9/16" Glass



SINGLE SLIDER ITEM NO.	FINISH
COM160SA	SATIN ANODIZED
COM160MB	MATTE BLACK

SINGLE SLIDER W/ FIXED PANEL ITEM NO.	FINISH
COM161SA	SATIN ANODIZED
COM161MB	MATTE BLACK



EXPERIENCE AND INNOVATION

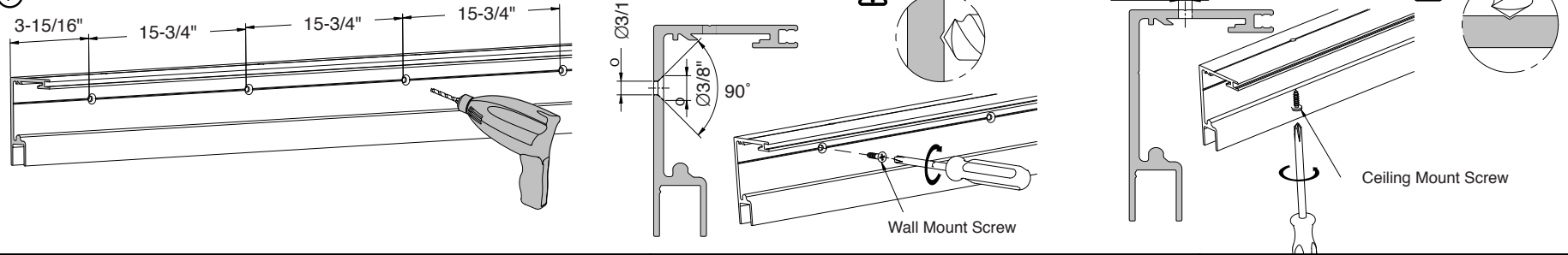
FRAMELESS HARDWARE COMPANY
THE GLAZING SUPPLY COMPANY

FRAMELESS HARDWARE COMPANY

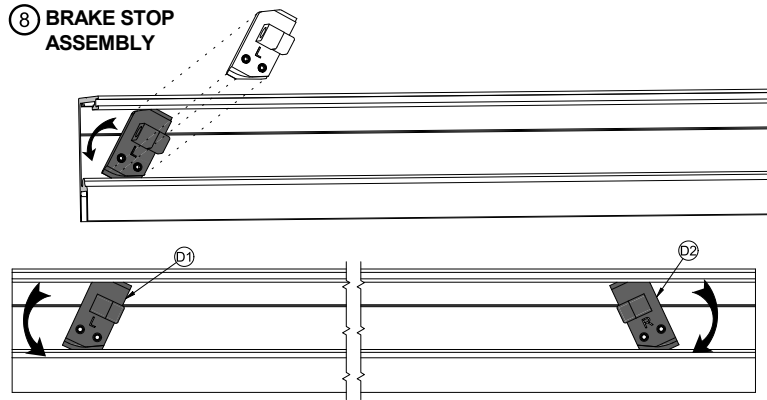
P.O. Box 1906, South Gate, CA 90280

Toll Free: (888) 295-4531 | Fax: 323 336-8307 | Web: fhc-usa.com

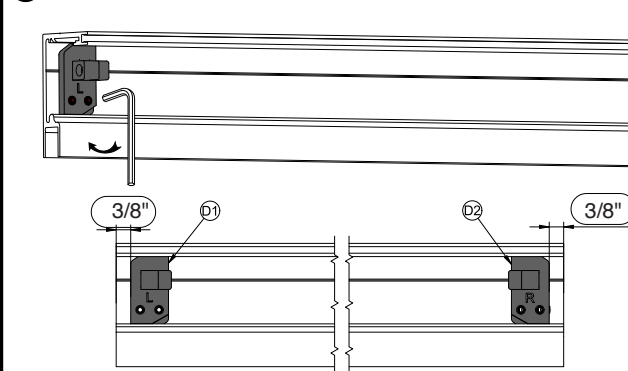
7 TOP TRACK MOUNT



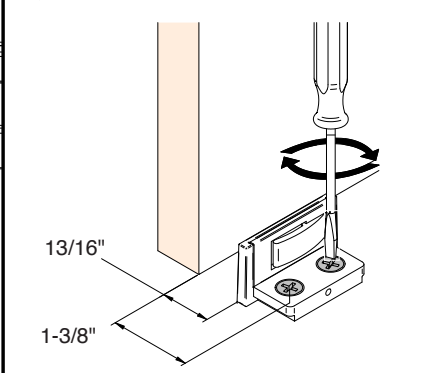
8 BRAKE STOP ASSEMBLY



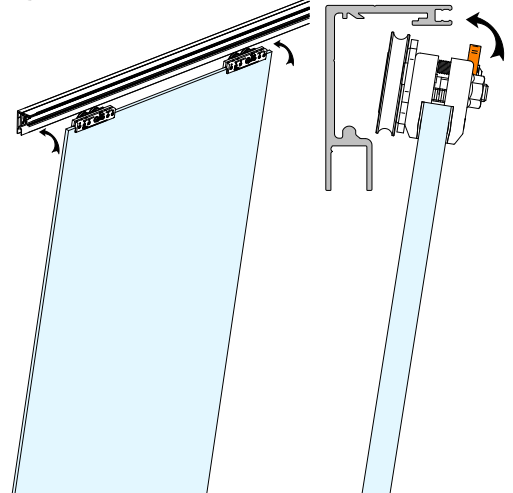
9 TIGHTEN SCREWS



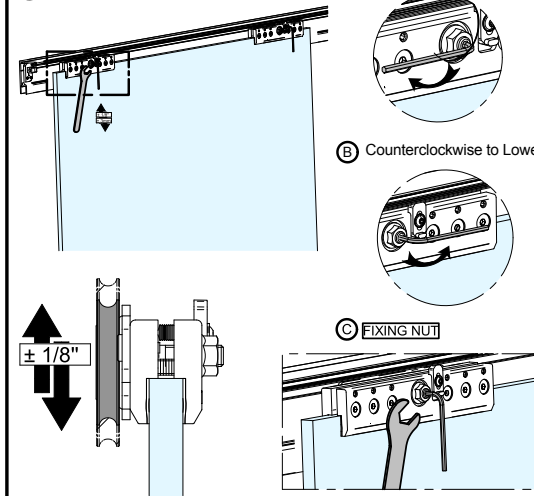
10 LOWER GUIDE INSTALLATION



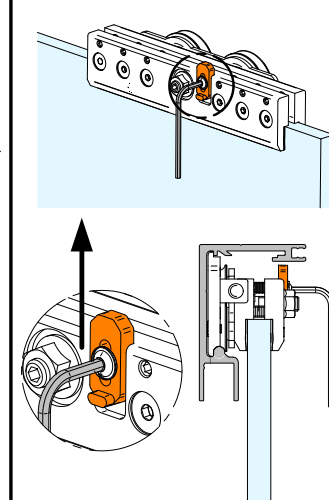
11 DOOR INSTALLATION



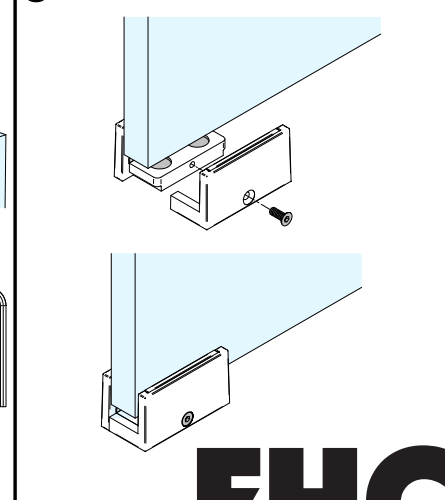
12 HEIGHT ADJUSTMENT



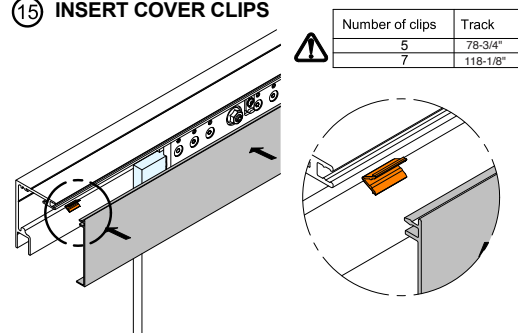
13 ANTI-JUMP SCREW



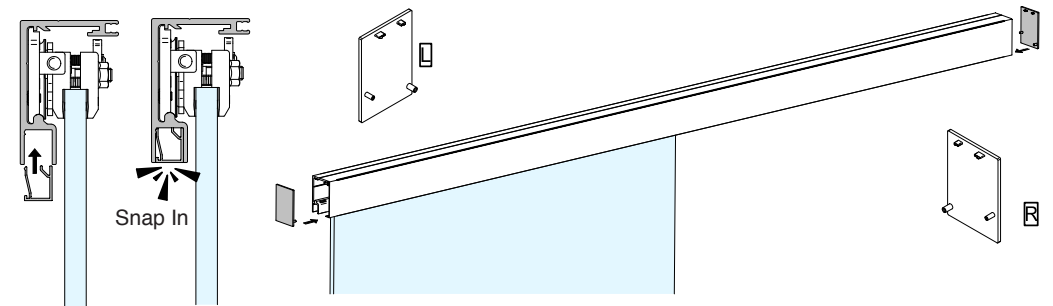
14 LOWER GUIDE INSTALLATION



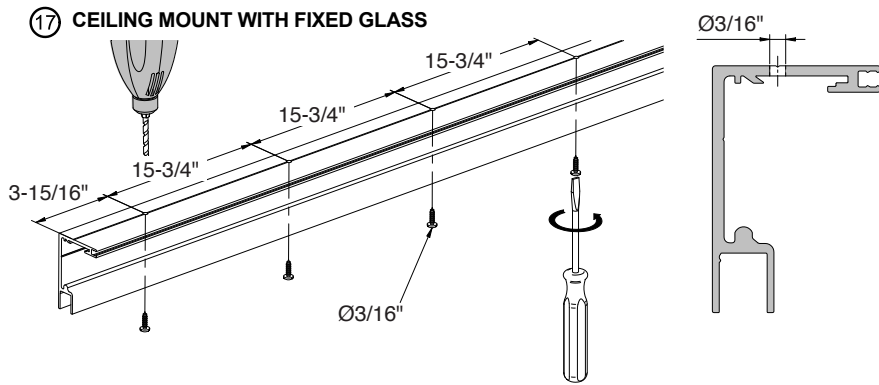
15 INSERT COVER CLIPS



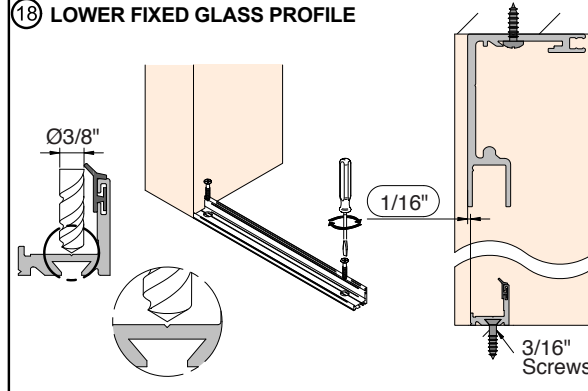
16 FIXED PANEL CHANNEL AND END COVERS



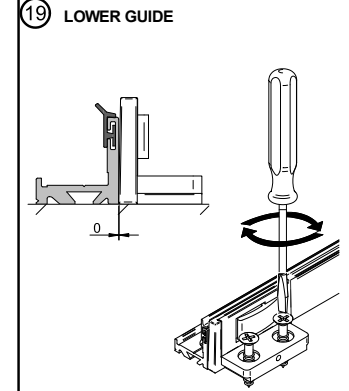
17 CEILING MOUNT WITH FIXED GLASS



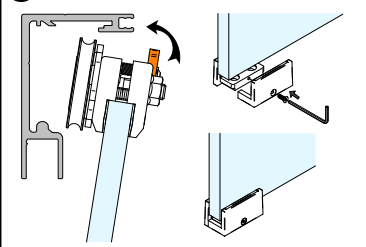
18 LOWER FIXED GLASS PROFILE



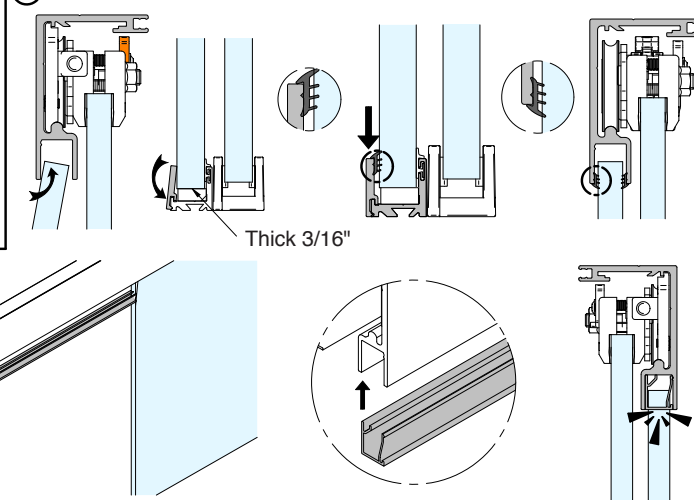
19 LOWER GUIDE



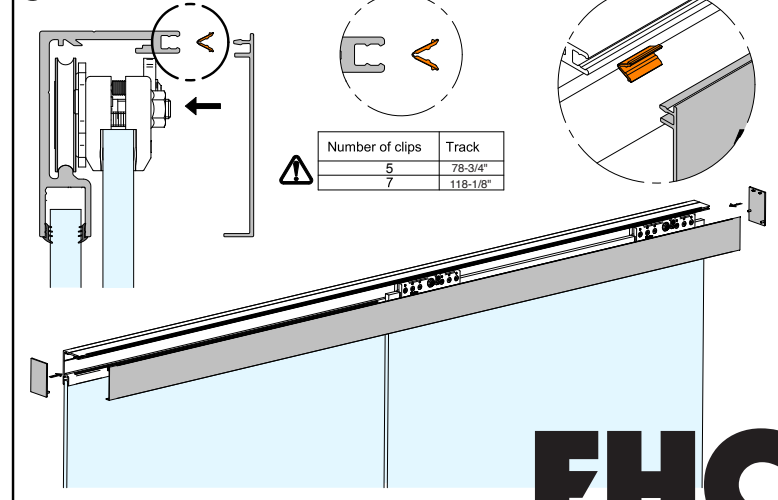
20 DOOR INSTALLATION



21 FIXED GLASS MOUNT



22 END COVERS MOUNT



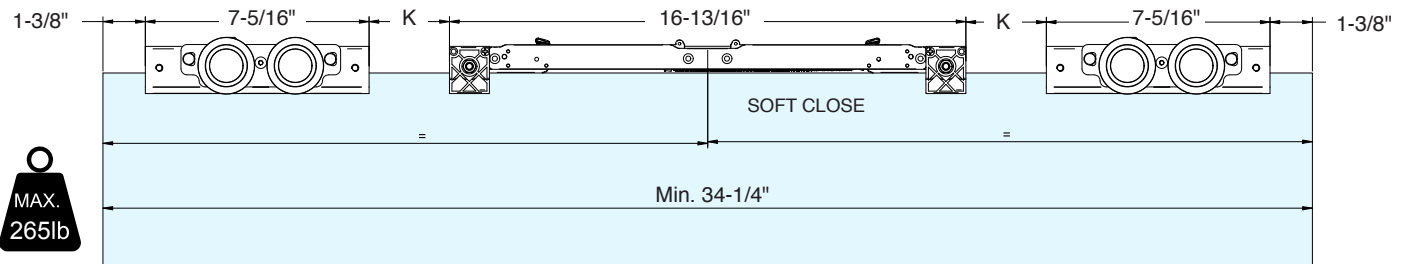
FHC COMPACT 160 SERIES SLIDER WITH SOFT CLOSE

Top Hung Single Sliding
Door Kit Wall & Ceiling Mount

• For 3/8", 1/2", and 9/16" Glass

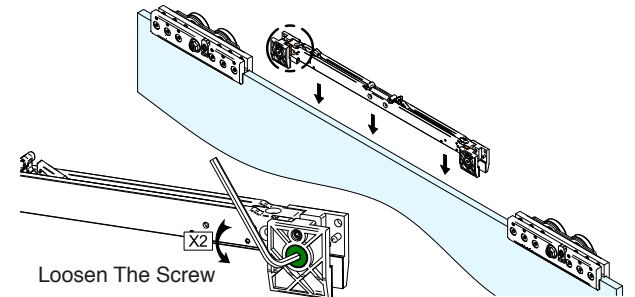
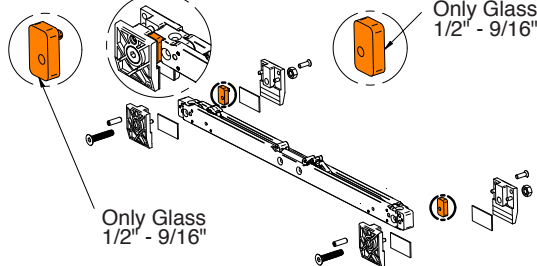


1 MINIMUM PANEL WIDTH AND CLAMP POSITIONING

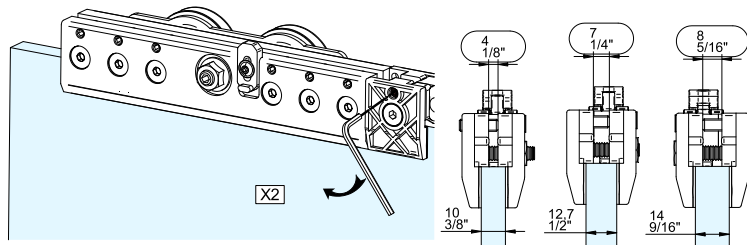


(f)	1		(j)	4	(l)	1	
(g ¹)	2	(g ²)	2	(h)	4	(p)	1
	BLACK		GRAY		WHITE		

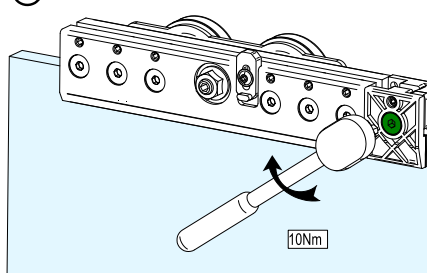
2 SOFTTOP INSTALLATION



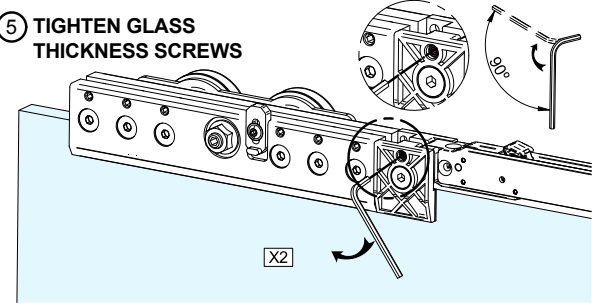
3 ADJUST GLASS THICKNESS SCREWS TO GAPS SHOWN



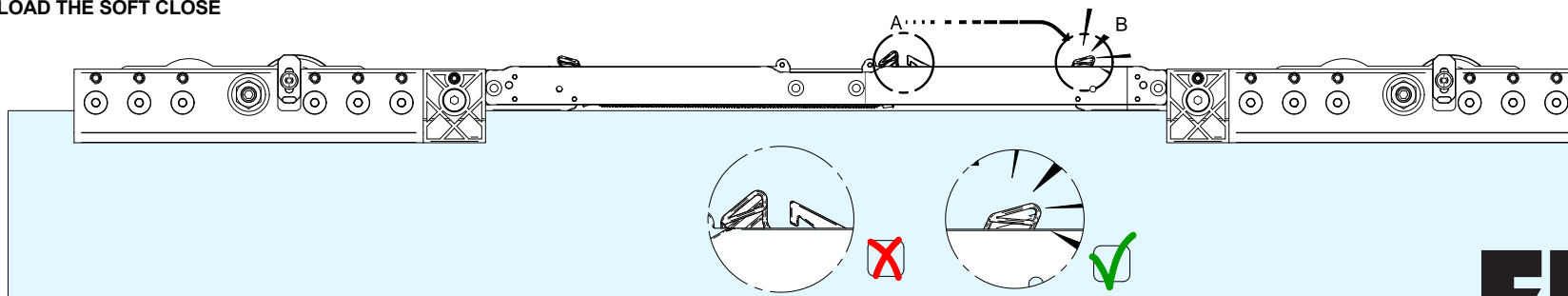
4 TIGHT THE CLAMP SCREWS



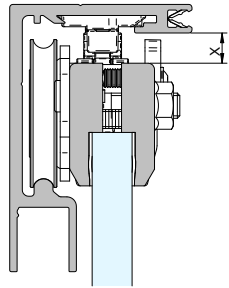
5 TIGHTEN GLASS THICKNESS SCREWS



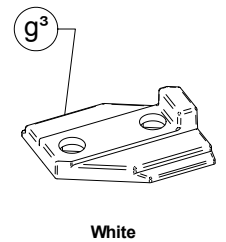
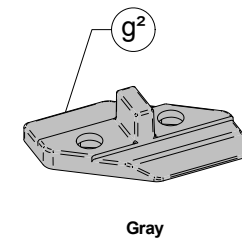
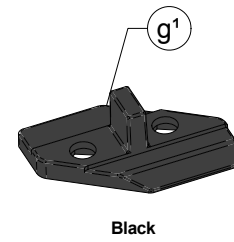
6 LOAD THE SOFT CLOSE



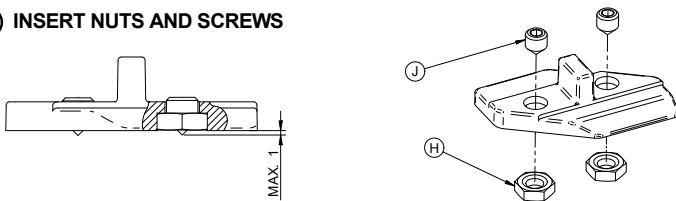
OCT. 2020
038060...



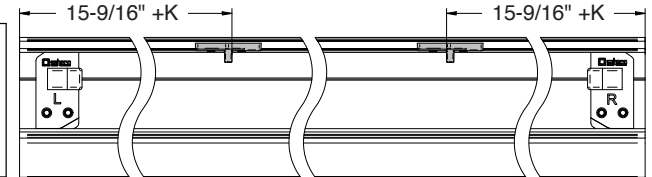
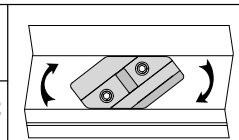
g ¹		$X \geq 7/16''$
g ²		$5/16'' < X < 7/16''$
g ³		$X \leq 5/16''$



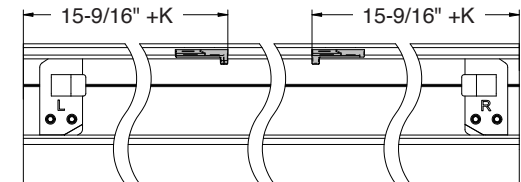
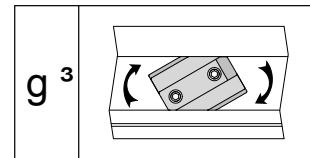
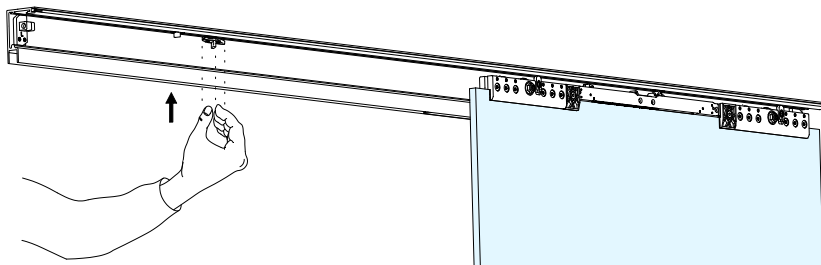
⑦ INSERT NUTS AND SCREWS



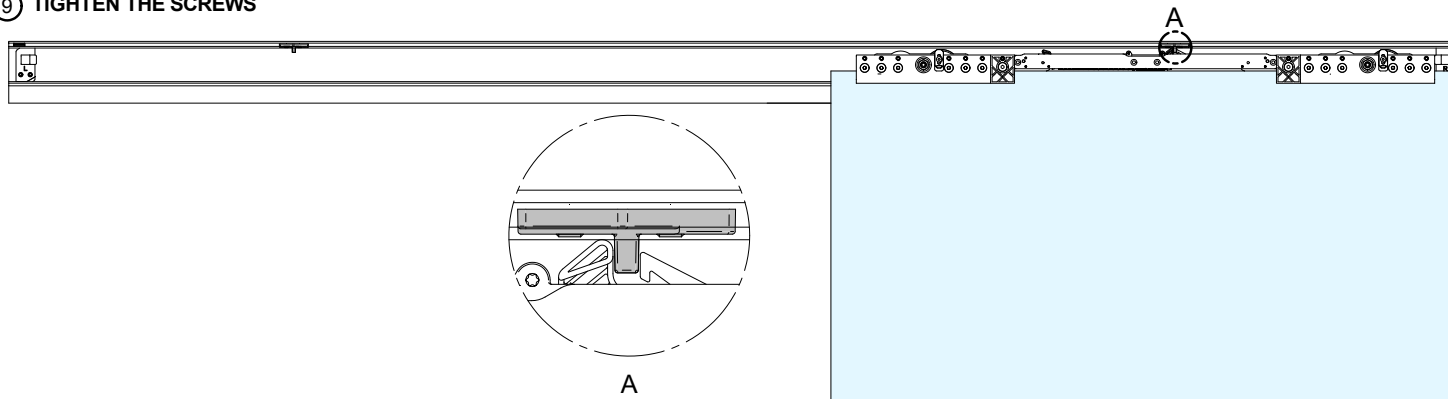
g¹
g²



⑧ MOUNT SOFT CLOSE ACTIVATORS



⑨ TIGHTEN THE SCREWS



For Technical Support
Call Toll Free in the U.S.
(888) 295-4531



EXPERIENCE AND INNOVATION