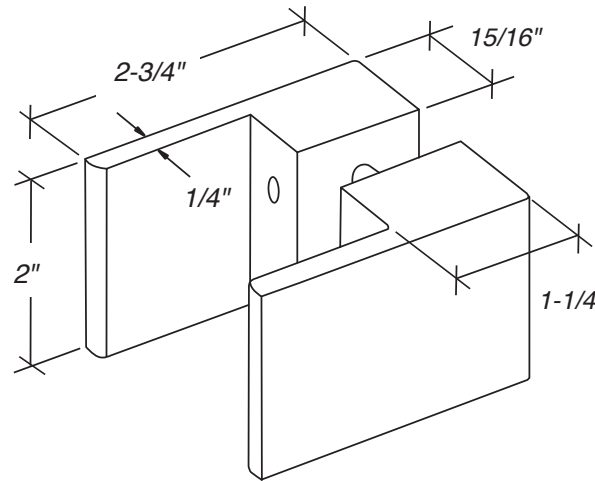


# PADDLE HANDLE

Paddle Handle Back to Back Mount  
ITEM NO. DKH2

## SPECIFICATIONS

**Glass Sizes:** 1/4" to 1/2" (6 to 12 mm) Tempered Glass Only  
**Construction:** Solid Brass  
**Fabrication Required:** (2) 1/2" Diameter Holes  
**Includes:** Paddle handle body, gaskets, mounting hardware, and fabrication template  
**Use:** Residential Bath and Commercial Hotel Applications



DO NOT MEASURE / SCALE DRAWING  
USE DIMENSIONS SHOWN



## GASKET SPECIFICATIONS:

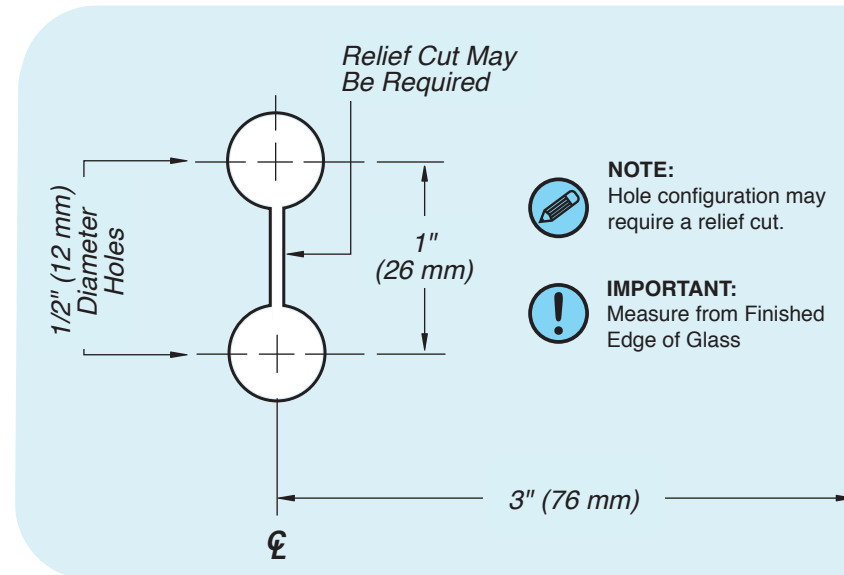
**For 1/4" (6 mm) Glass:** Use One Thin Gaskets On Each Side  
**For 1/2" (12 mm) Glass:** Use One Thin Gaskets On Each Side

## GLASS INSTRUCTIONS:

Only use tempered safety glass.  
Two 1/2" (12 mm) Diameter Hole in Glass.

## CARE & CLEANING GUIDELINES:

For best results, keep the following recommendations in mind when caring for your FHC shower door hardware. Your shower door hardware should be dried daily with a soft towel or cloth to insure its original finish. Do not use harsh cleaners or chemicals on the hardware, as many of the components are coated with a clear lacquer that will become damaged beyond repair. Always test your cleaning solution in an inconspicuous area prior to cleaning the entire hardware surface. Wipe surfaces clean using a soft dampened cloth or sponge and rinse completely with warm water immediately after applying the cleaning solution. Use only small amounts of liquid, gentle cleaner. Never use abrasive products, sponges, or wire scrub brushes while cleaning hardware.



**NOTE:**  
Hole configuration may require a relief cut.

**IMPORTANT:**  
Measure from Finished Edge of Glass



USE ONLY  
MONOLITHIC  
TEMPERED GLASS



For Technical Support  
Call Toll Free in the U.S.  
(888) 295-4531