

DENALI SERIES FRAMELESS SLIDING SHOWER DOOR KIT

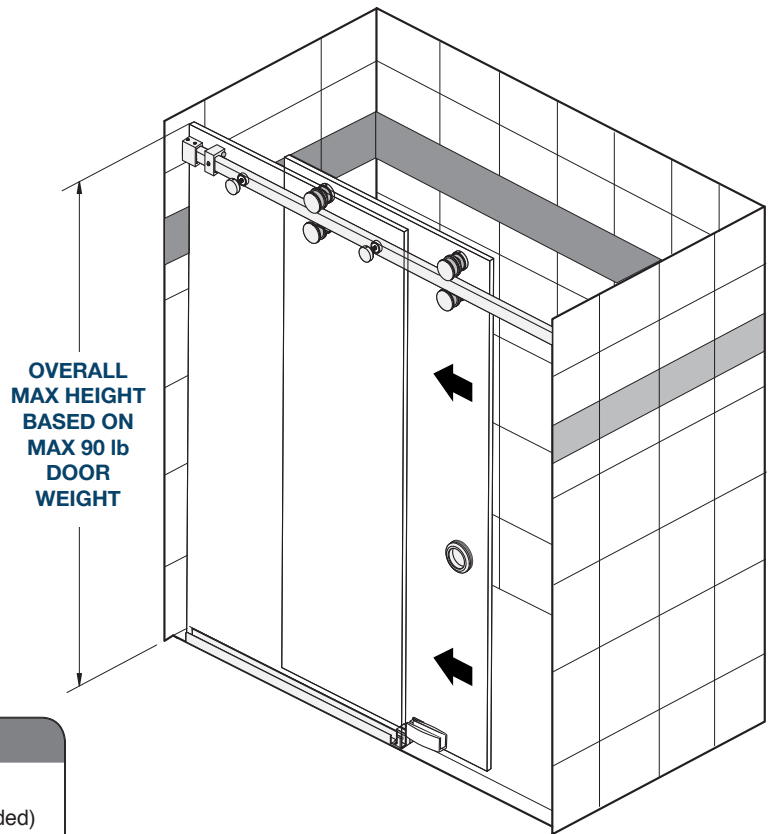
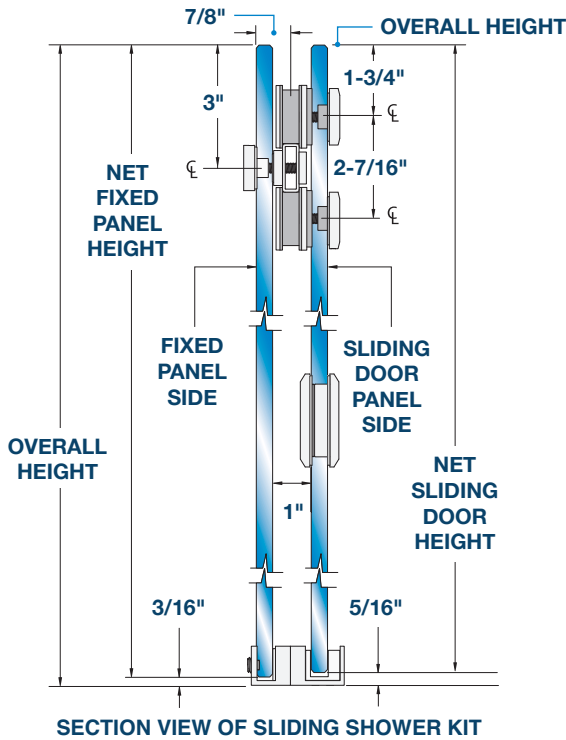
- Designed for Use With 3/8" (10 mm) Tempered Glass
- 1-3/16" x 3/8" Low Profile Header

- High Quality Stainless Steel Construction
- Multiple Finishes Available

Our popular **Denali Series Frameless Sliding Shower Door Kit** offers a modern, low profile design, that includes a rectangular header and round glass rollers. It's engineered for use with 3/8" (10mm) tempered glazing. Each top glass roller requires one 5/8" (16mm) diameter hole in the glass for proper mounting. Precision bearings and wheels also offer a quiet glide experience.

One standard size fits most 180 degree inline applications. Our in stock 78" wide kits can be cut to size.

NOTE: Fixed glass panel hardware like u-channels or clamps are sold separately.



SPECIFICATIONS

Material: Header Track and Hardware, (304 Stainless Steel)
Glass Thickness: 5/16" to 3/8" (8 to 10mm) (Glass is not Included)
Glass Fabrication: Each Included Glass Roller requires one 5/8" Diameter Hole; Each Included Fixed Panel Standoff Fitting requires one 1/2" Diameter Hole;
Maximum Recommended Slider Weight: 90 lbs.

DENALI SERIES SHOWER DOOR KIT

ITEM NUMBER	SIZE	FINISH
DEN180BS	78" Wide Kit	Brushed Stainless
DEN180PS	78" Wide Kit	Polished Stainless
DEN180MB	78" Wide Kit	Matte Black
DEN180SB	78" Wide Kit	Satin Brass
DEN180BBRZ	78" Wide Kit	Brushed Bronze



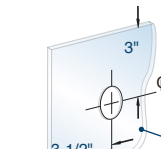
USE ONLY
MONOLITHIC
TEMPERED GLASS

FHC[®]
FRAMELESS HARDWARE COMPANY
THE GLAZING SUPPLY COMPANY

Cutting Instructions/ Glass Sizing for Denali Series Kit

Typical Fixed Panel Fabrication for Fixed Standoff Fittings (1) 1/2" dia. Hole in Glass

Vertical Adjustable Wall Mount Blocks



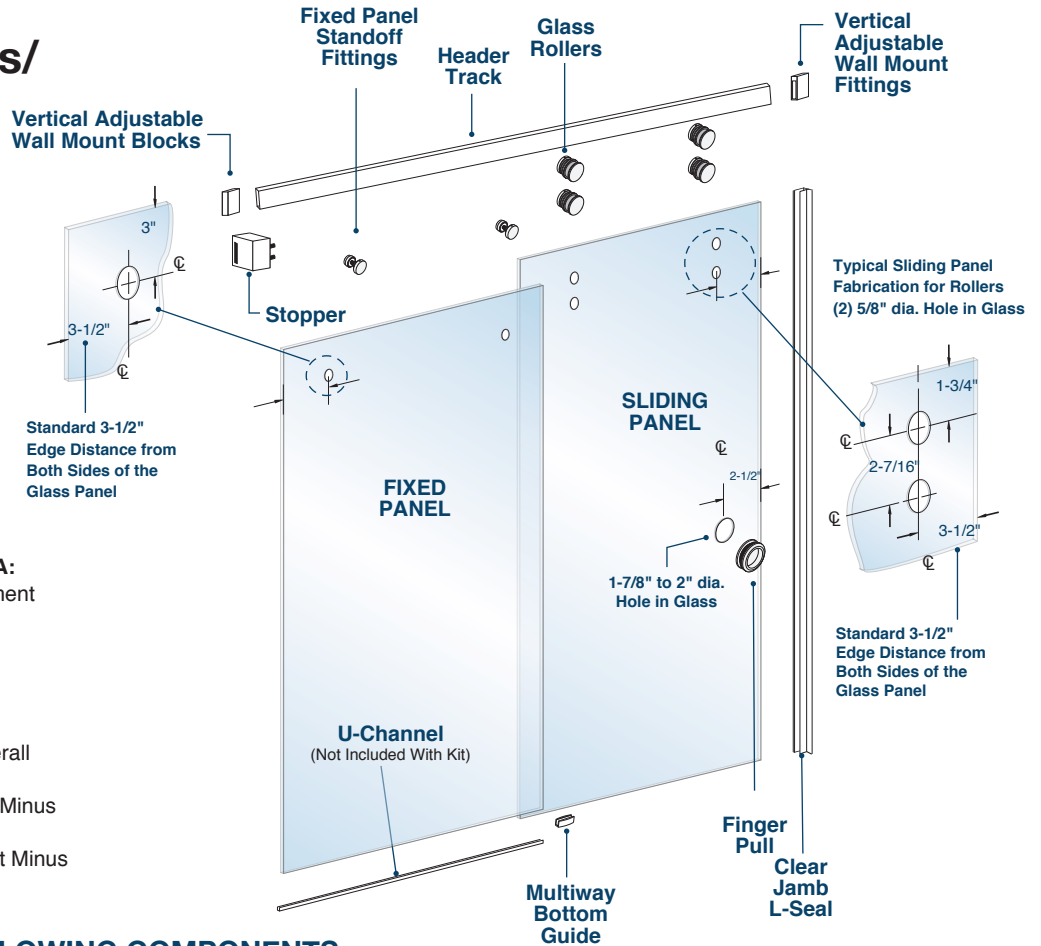
Standard 3-1/2" Edge Distance from Both Sides of the Glass Panel

NOTE: The Overall Height is referenced/ determined from top of curb to top of fixed glass panel.

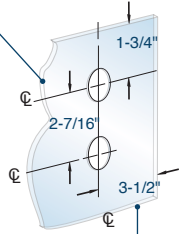
QUICK METAL SIZE CUTTING FORMULA:
Head Track = Top Overall Width Measurement Less 1-1/16" (27 mm)

QUICK GLASS SIZE FORMULA TO DETERMINE NET WIDTH AND HEIGHTS:

Sliding and Fixed Glass Panel Width = Overall Width Divided by 2, Add 7/8"
Fixed Glass Panel Height = Overall Height Minus 3/16"
Sliding Glass Panel Height = Overall Height Minus 5/16"

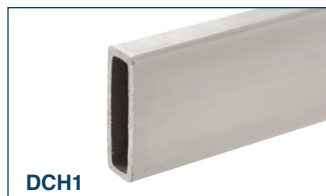


Typical Sliding Panel Fabrication for Rollers (2) 5/8" dia. Hole in Glass



Standard 3-1/2" Edge Distance from Both Sides of the Glass Panel

ALL KITS INCLUDE THE FOLLOWING COMPONENTS



DCW1

Header Track (Qty. 1)



DENF1

Fixed Panel Standoff Fittings (Qty. 2)

*Requires (2) 1/2" (12 mm) Diameter Hole



DENR1

Glass Rollers (Qty. 4)

*Requires (4) 5/8" (16 mm) Diameter Hole



DCG1

Multiway Door Guide (Qty. 1)



DCW1

Wall Mount Fittings (Qty. 2)

Vertical Adjustable Mounting Block



TGFP1

Finger Pull (Qty. 1)

*Requires (1) 2" (50.8 mm) Diameter Hole



DCS1

Sliding Panel Stopper (Qty. 1)



CLSB3812

Jamb L-Seal (Qty. 1)



DENWMS2

WALL Mounting Screws and Anchors (Qty. 2)



DENGRS2

Screw for 3/8" (10 mm) Glass Use with Glass Rollers (Qty. 2)



For Technical Support
Call Toll Free in the U.S.
(888) 295-4531



Frameless Sliding Shower System for Tub/Shower

Clean and remove any dirt or grime from your shower sill and wall areas where the new unit will be installed.

Carefully read these instructions completely and inventory all parts before starting installation.

STEP
1

Head Track Preparation (Item # DCH1)

Determine the height of your shower unit, and measure the overall distance between the walls of your shower tub or tile surfaces. Subtract 1-1/16" and cut the Head Track to length. Test fit the head track with the wall mounting blocks installed on the ends to ensure a good fit. **Important Note:** Pre-load the (1) Sliding Panel Stoppers and (2) Wall Mount Fittings onto the Head Track as illustrated on page 2.

STEP
2

Fixed Panel Layout/Header Track and Wall Mount Fitting Installation (Item # DCH1 and DCW1)

Determine your fixed glass panel location on the sill or curb. Using a laser level and some securing tape, mark the overall height of your fixed glass panel, then measure back 7/8" and down 3". Mark your mounting hole location on each side where your vertical, adjustable, wall mounted blocks will be installed. See diagram on page 2 for further information. Proceed with drilling the tile, (1 hole on each side) and installing the wall mounting blocks. **Note:** Wall mount screws and plastic plug anchors are included with kit.

STEP
3

Head Track Installation (Item # DCH1 and DCW1)

Double check to ensure you have pre-loaded the (1) Sliding Panel Stopper and (2) Wall Mount Fittings onto the Head Track. Proceed with the installation of the Head Track by aligning it with the installed wall mounted blocks and sliding the wall mounted track connectors against the wall. Tighten the set screws into place (1 per side) from the top side of the head track, locking them together.

STEP
4

Fixed Glass Panel Installation (DENF1)

Position your fixed glass panel using either standard shower door u-channel or glass clamps. **Note:** U-channels and glass clamps are sold separately. Once in position, mark the header track where the glass standoffs will be located, and drill the clearance hole through the header track using a 1/4" diameter drill bit. See diagram on page 4 for further information. Once the clearance holes are drilled in the header track proceed with installing the (2) glass standoff fittings and fixed glass panel.

STEP
5

Sliding Glass Panel Installation (Item # DENR1)

Before hanging the sliding glass panel, install the (2) top glass rollers on your sliding glass panel. The bottom (2) glass rollers will be installed after the sliding panel is hung. Next move forward with hanging your sliding glass panel onto the Head Track using wood shims and allowing for a 5/16" bottom clearance. Once installed, carefully remove the wood shims and test the sliding panel movement, adjust as needed. Once the adjustments are made, move forward with installing the (2) bottom glass rollers securing the sliding unit to the header track. **Important Note:** Once your sliding glass panel is installed make sure you have adjusted and tightened the header track stoppers to your desired sliding range.

STEP
6

Bottom Floor Guide (Item # DCG1)

Once the sliding glass panel has been installed and adjusted, proceed with installing the bottom Multiway Floor Guide at the 2" glass panel overlap location. The floor guide comes with (1) attachment screw for proper securing. **Note:** Be sure to waterproof any holes drilled at the sill with an approved FHC silicone sealant.

STEP
7

L-Shaped Jamb Seal Polycarbonate (Item # CLSB3812)

The FHC L-Shaped Polycarbonate Jamb Seal comes with Very Hi-Bond tape pre-applied for easy installation. Just remove the Very Hi-Bond tape backing and install, aligning the "nub" on the seal with the glass edge. The nub will act as a bumper for the glass.

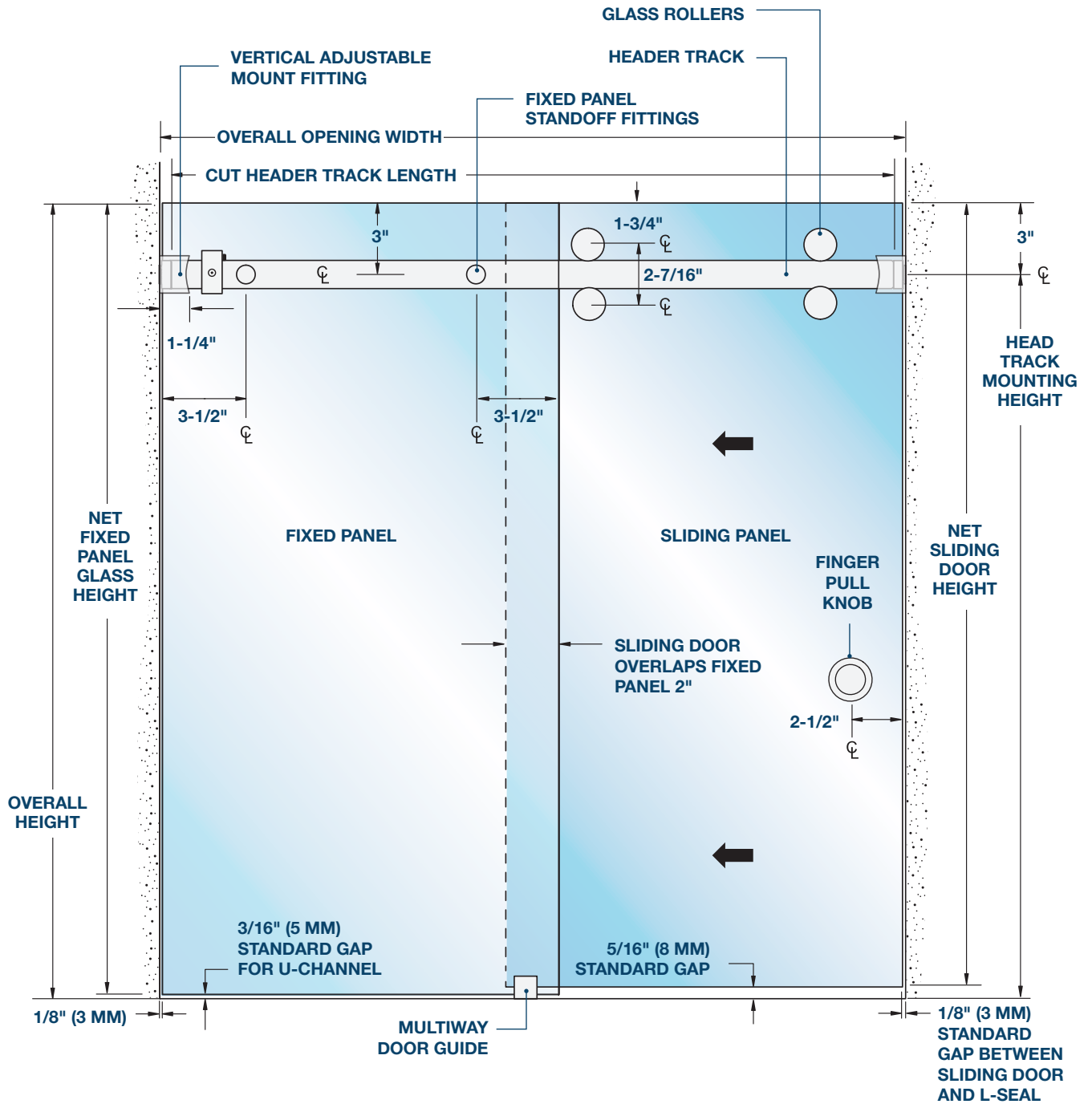
STEP
8

Finger Pull (Item # TGFP1)

The included Finger Pull should be installed at this time. Caulk any areas that need sealing, clean, and your installation is complete.

Elevation Diagram

(Not to Scale)



For Technical Support
Call Toll Free in the U.S.
(888) 295-4531

