

FHC EUROPEAN/HYDRAULIC PATCH FITTINGS

SUBMITTAL TYPE ITEMS COVERED IN SUBMITTAL

PROJECT ADDRESS 1 PROJECT ADDRESS 2

GL-1 1/2" CLEAR TEMPERED MONOLITHIC GLASS

GL-2 3/8" CLEAR TEMPERED MONOLITHIC GLASS

PROJECT SPECIFICATIONS	
SYSTEM	FHC EUROPEAN PATCH FITTINGS
MATERIAL FINISH	TBA
GLASS SCHEDULE	GL1: 1/2" THK. CLEAR TEMPERED MONOLITHIC GLASS GL2: 3/8" THK. CLEAR TEMPERED MONOLITHIC GLASS

TABLE OF CONTENTS:		
SHEET	DWG	DESCRIPTION
1	COVER	COVER SHEET
2	1.01	PLANS
3	1.02	PLANS
4	2.01	ELEVATIONS
5	2.02	ELEVATIONS
6	2.03	ELEVATIONS
7	2.04	ELEVATIONS
8	2.05	ELEVATIONS
9	3.01	HORIZONTAL DETAILS
10	4.01	VERTICAL DETAILS



Architect: _____
Phone: _____
Fax: _____
Contact: _____

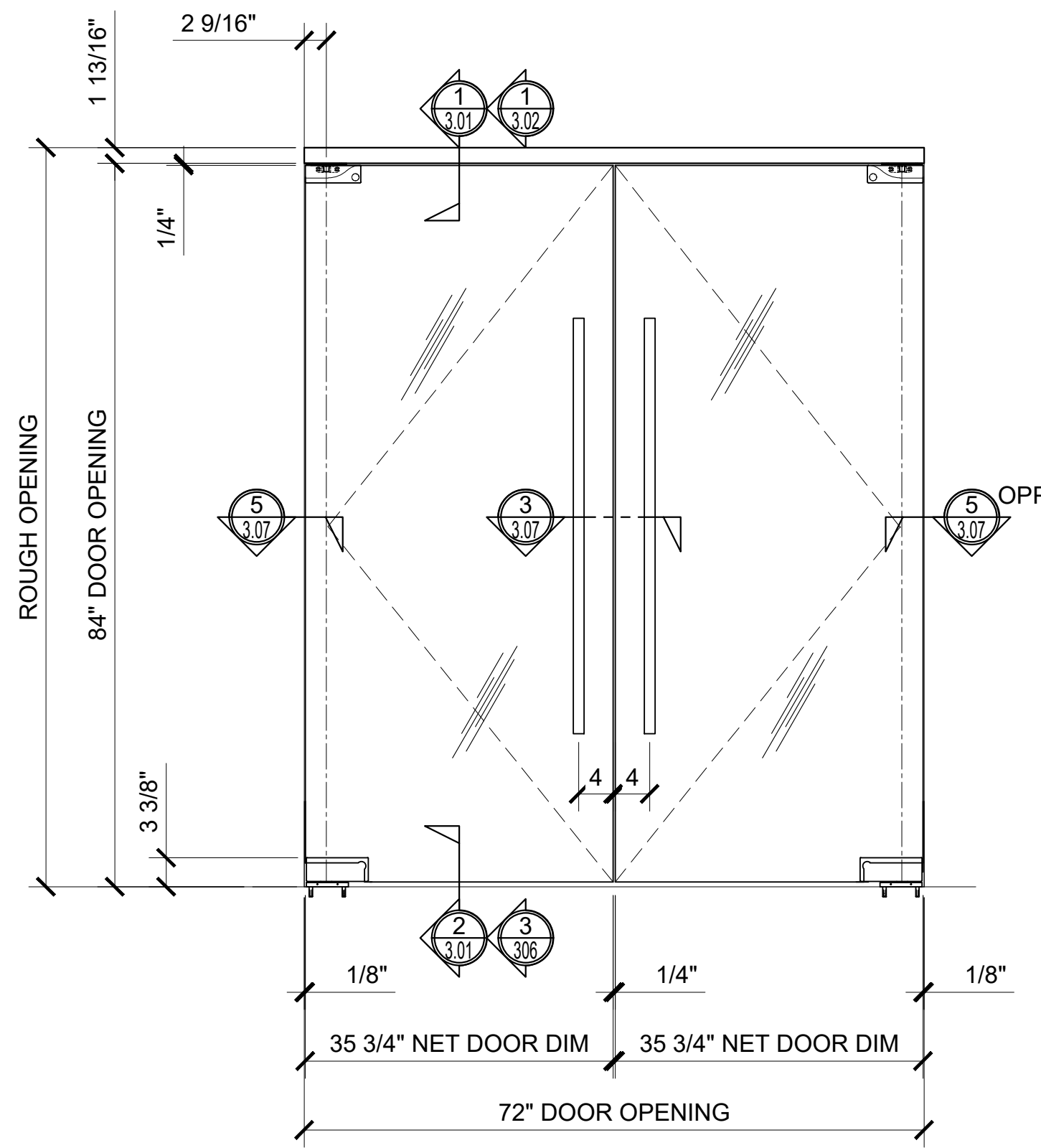
Job Name: _____
Phone: _____
Fax: _____
Contact: _____

Customer: _____
Phone: _____
Fax: _____
Contact: _____

REV#	DATE	DRAWN BY
0	01/15/2022	JS
1		
2		
3		
4		
5		
6		

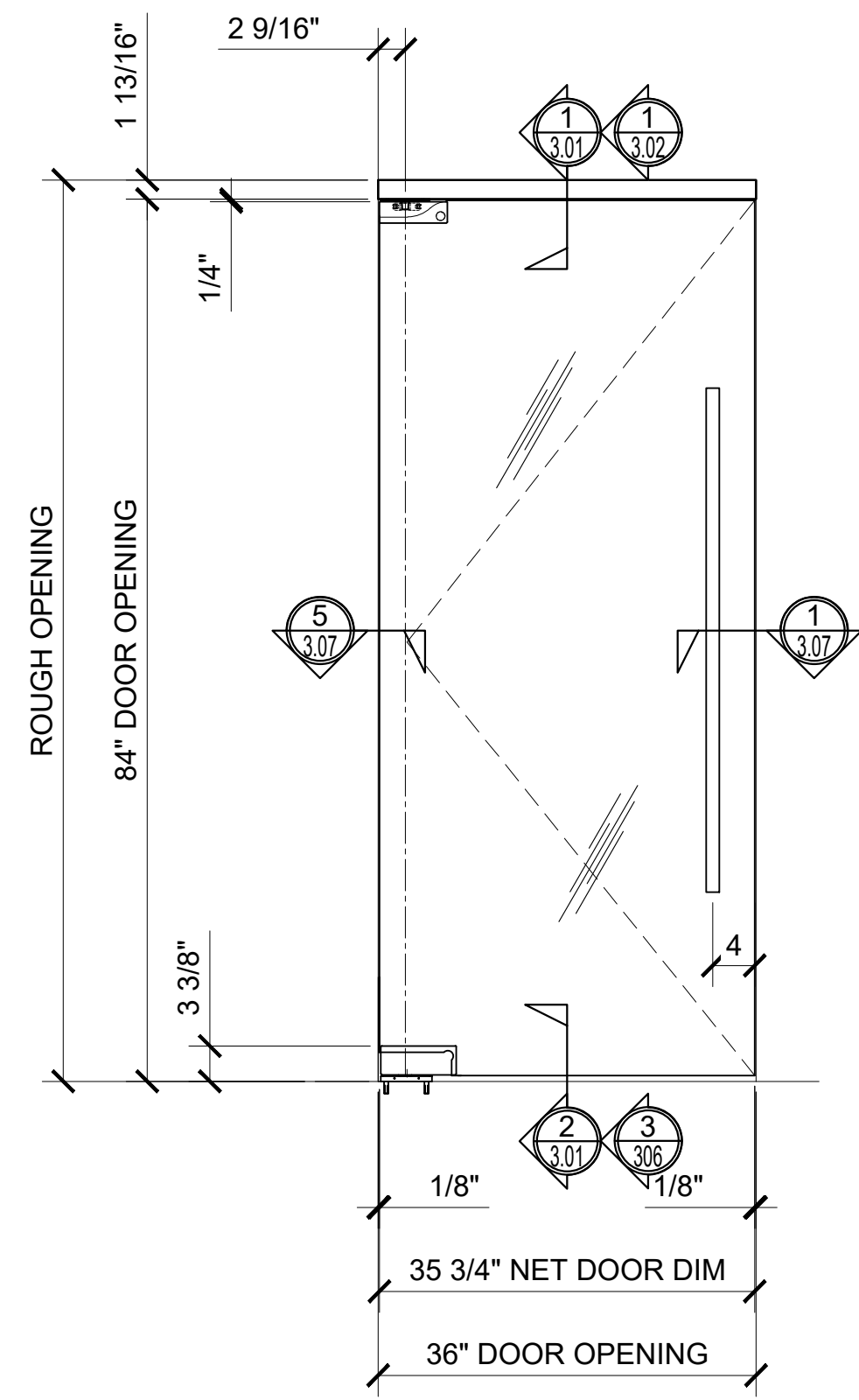
Drawn By: JS
Checked By: JS
Date: 00/00/0000
Scale: AS NOTED
Project #: 000000

Sheet No.
0.00



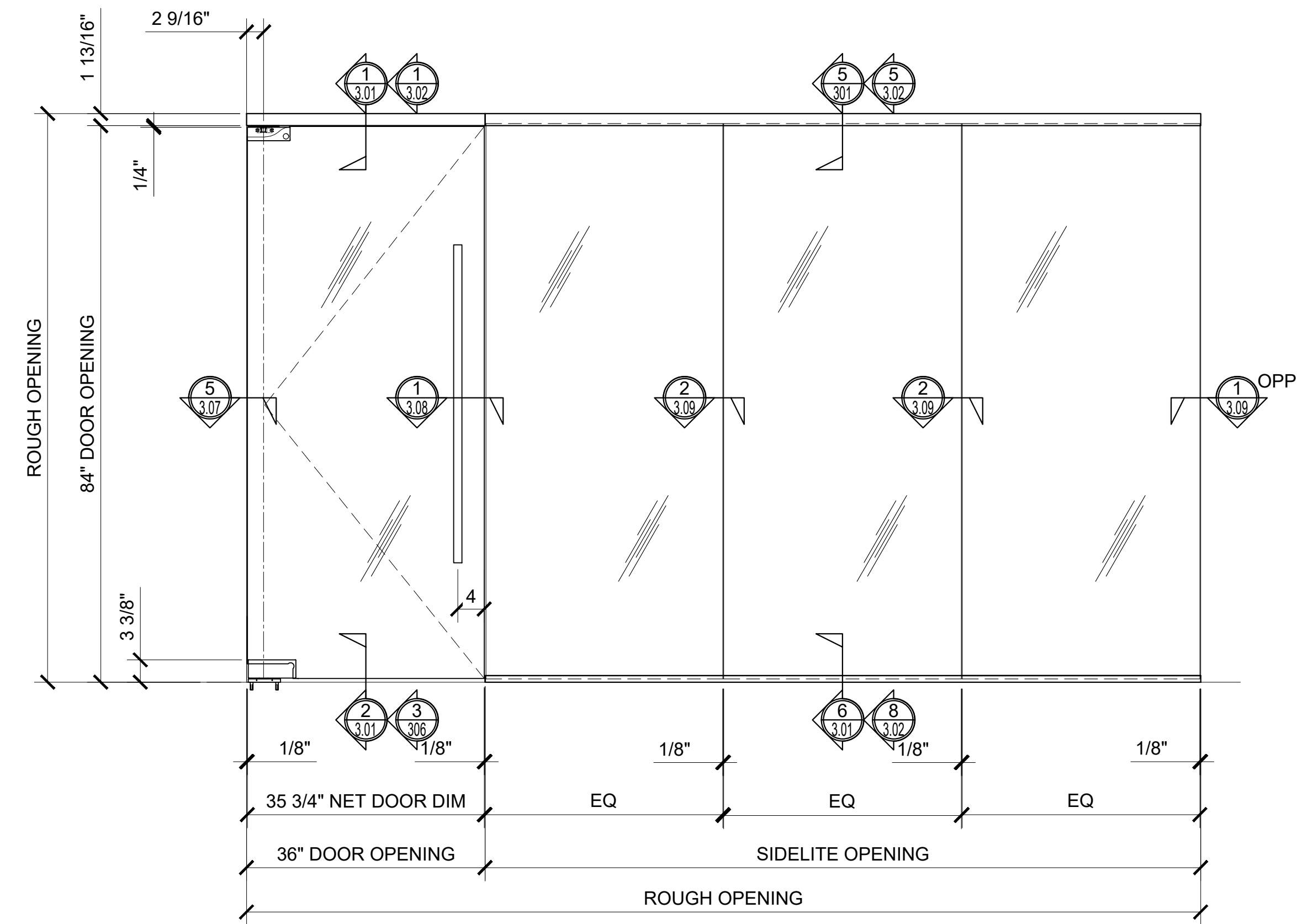
① ELEVATION

ARCH REF: NONE 3/4"=1'-0"



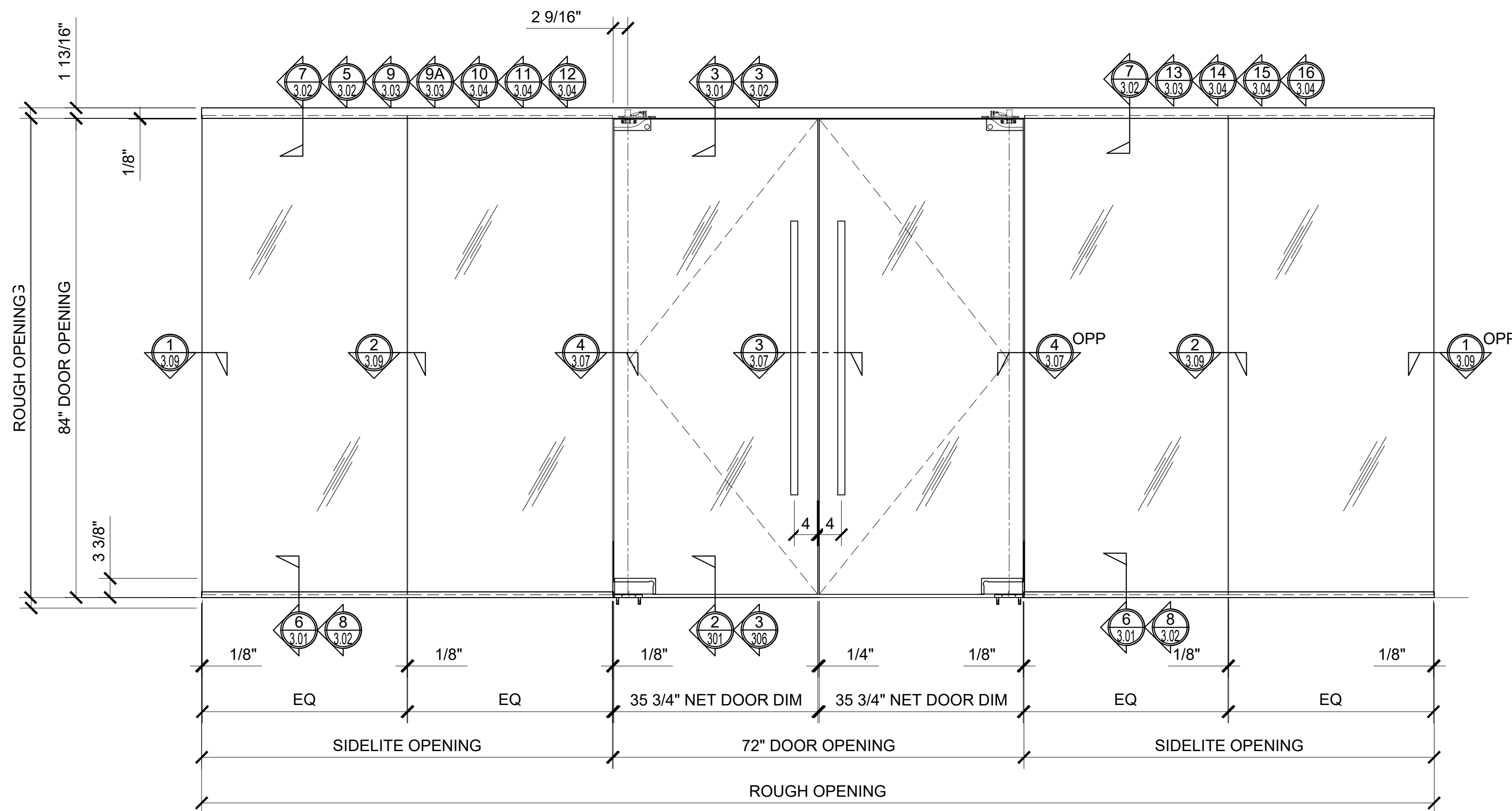
② ELEVATION

ARCH REF: NONE 3/4"=1'-0"



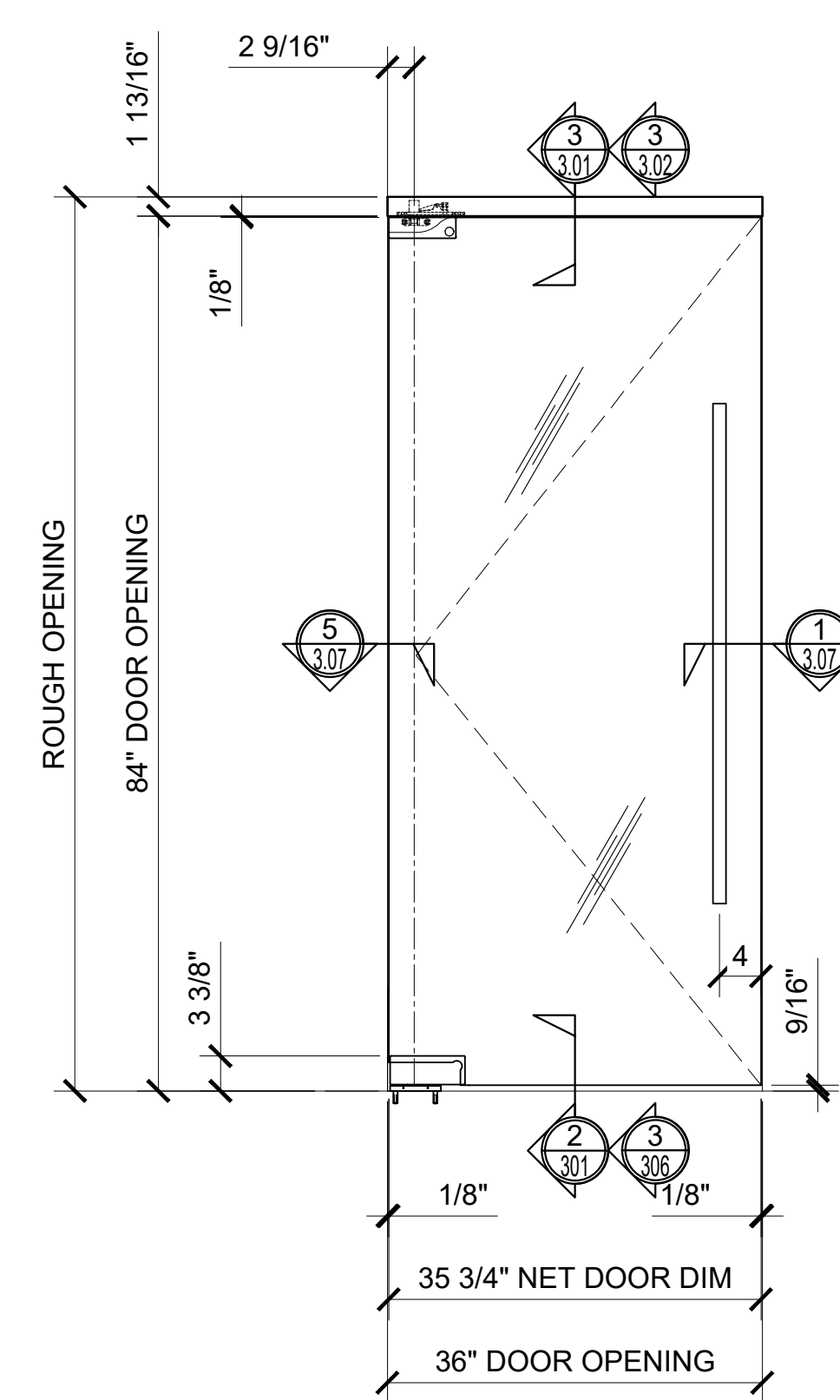
③ ELEVATION

ARCH REF: NONE 3/4"=1'-0"



④ ELEVATION

ARCH REF: NONE 3/4"=1'-0"



⑤ ELEVATION

ARCH REF: NONE 3/4"=1'-0"

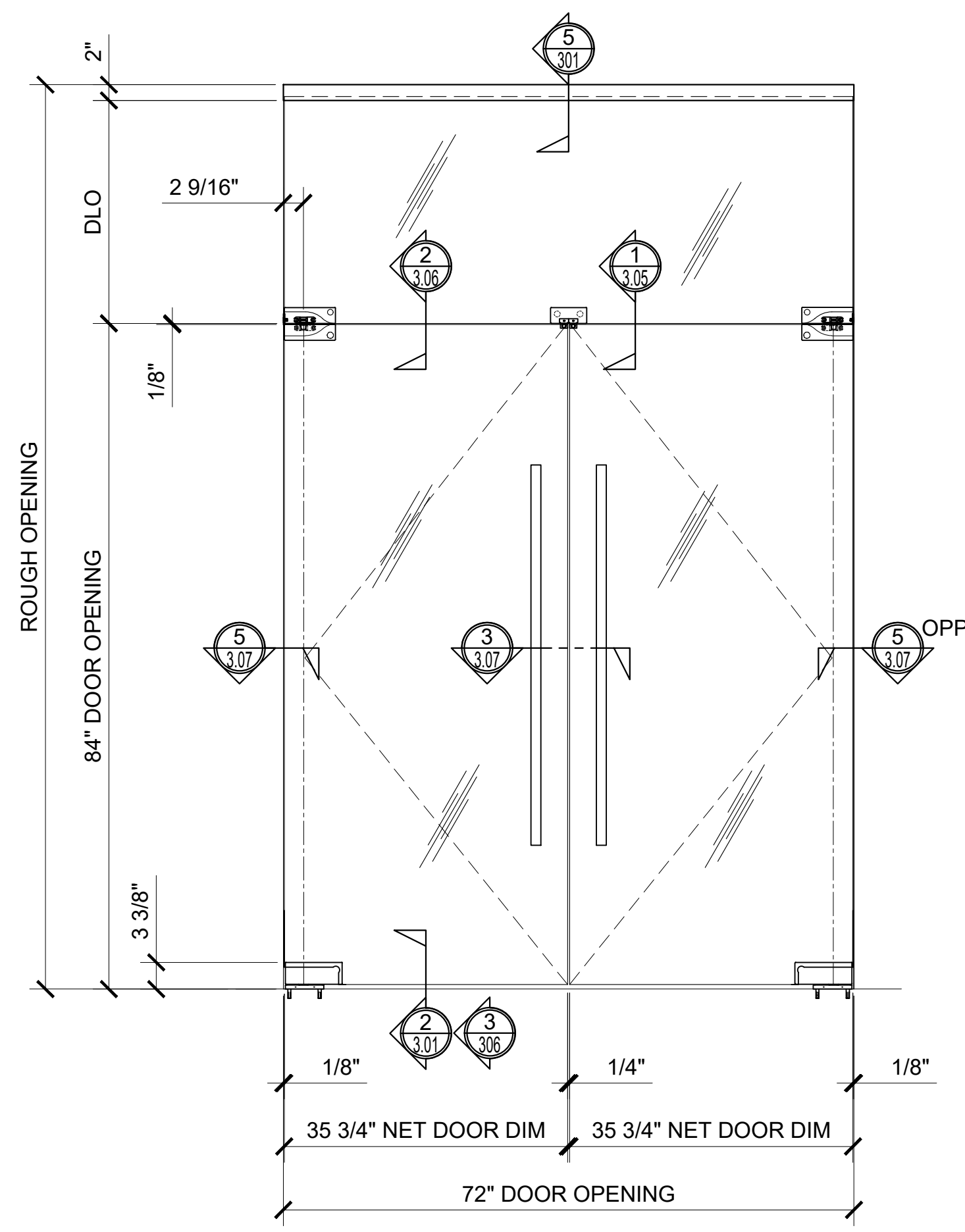
Architect: _____
 Phone: _____
 Fax: _____
 Contact: _____

Job Name: _____
 Phone: _____
 Fax: _____
 Contact: _____

Customer: _____
 Phone: _____
 Fax: _____
 Contact: _____

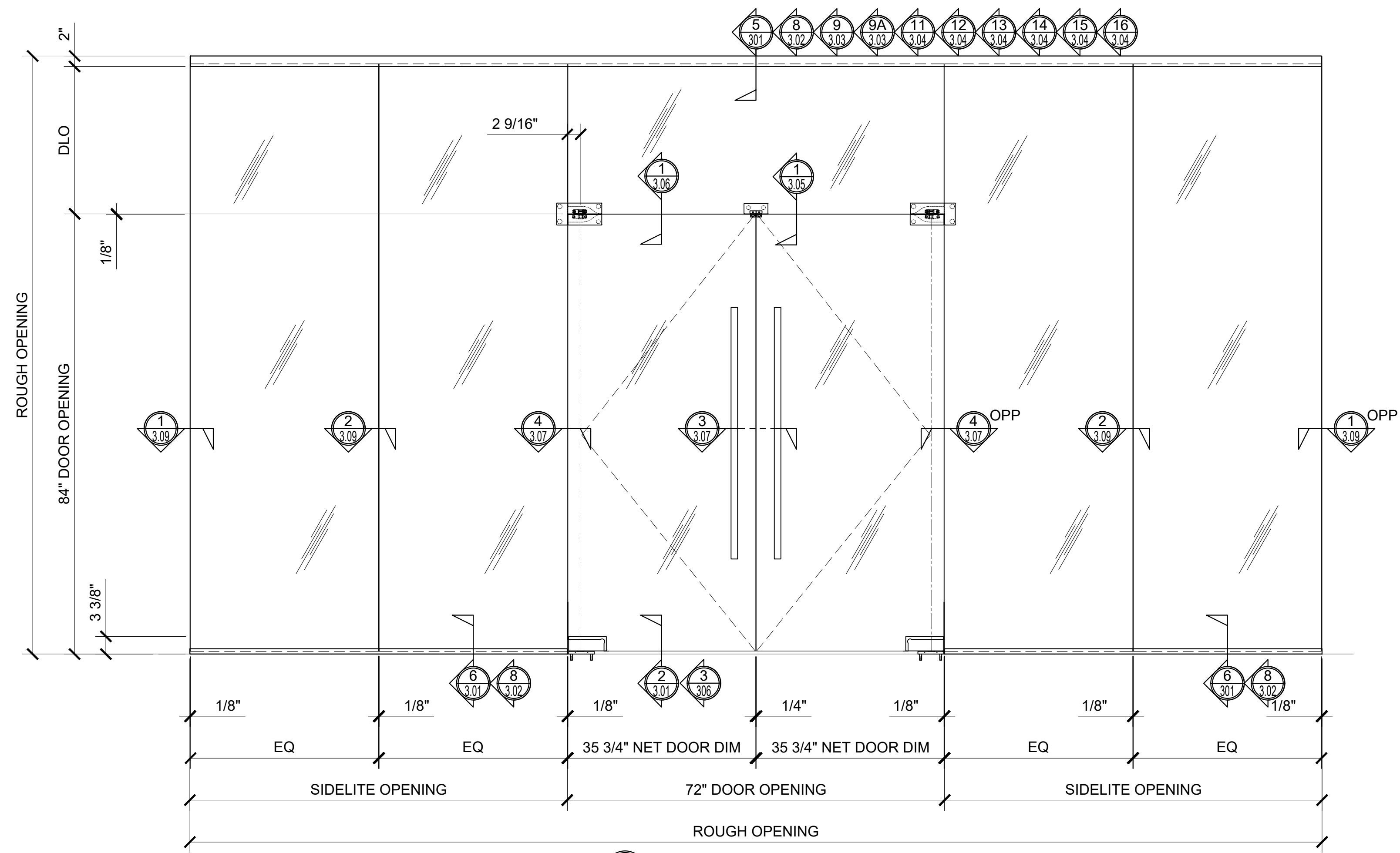
REV#	DATE	DRAWN BY
0	01/15/2022	JS
1		
2		
3		
4		
5		
6		

Drawn By: JS
 Checked By: JS
 Date: 00/00/0000
 Scale: AS NOTED
 Project #: 000000



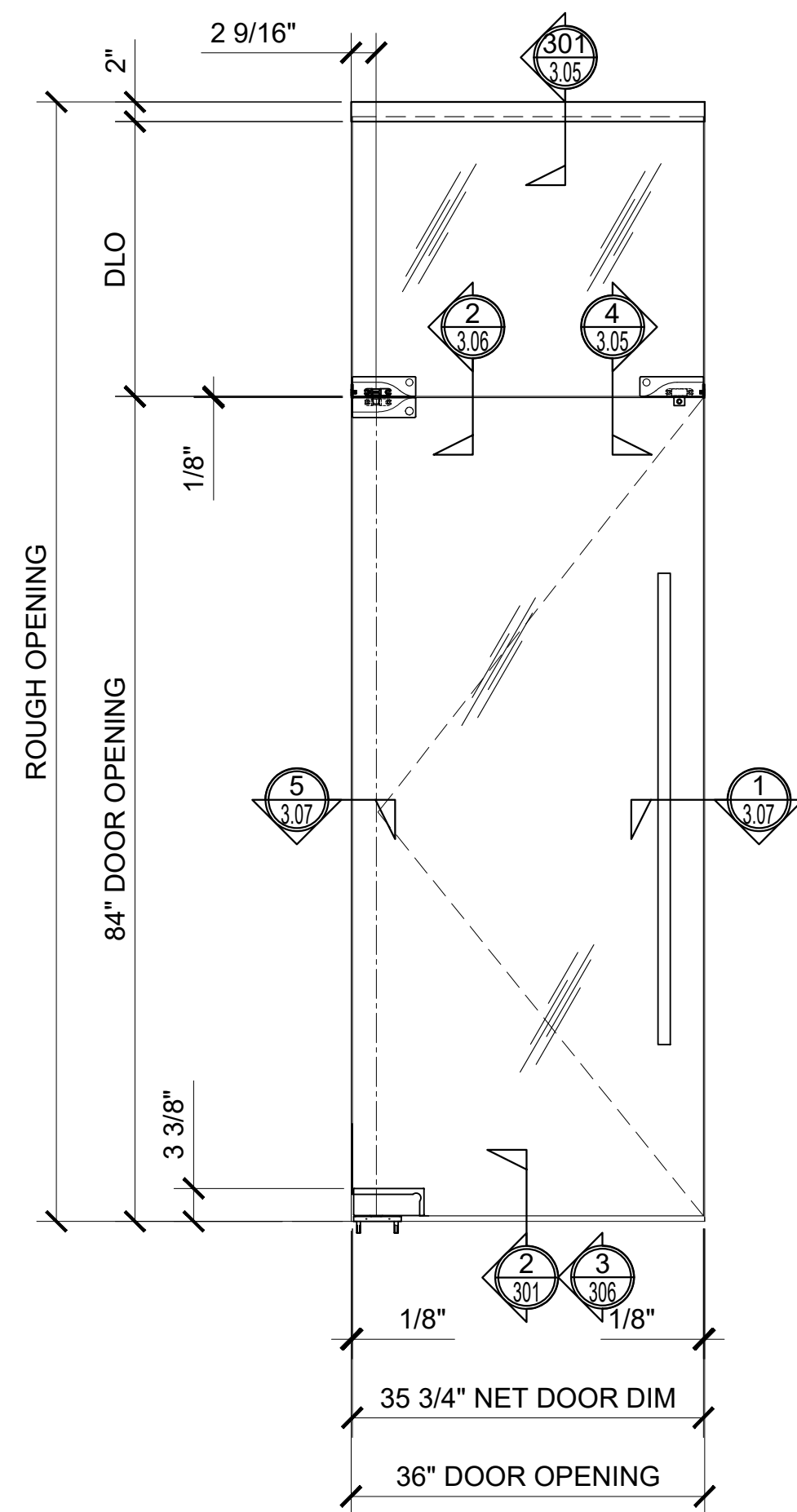
① ELEVATION

ARCH REF: NONE 3/4"=1'-0"



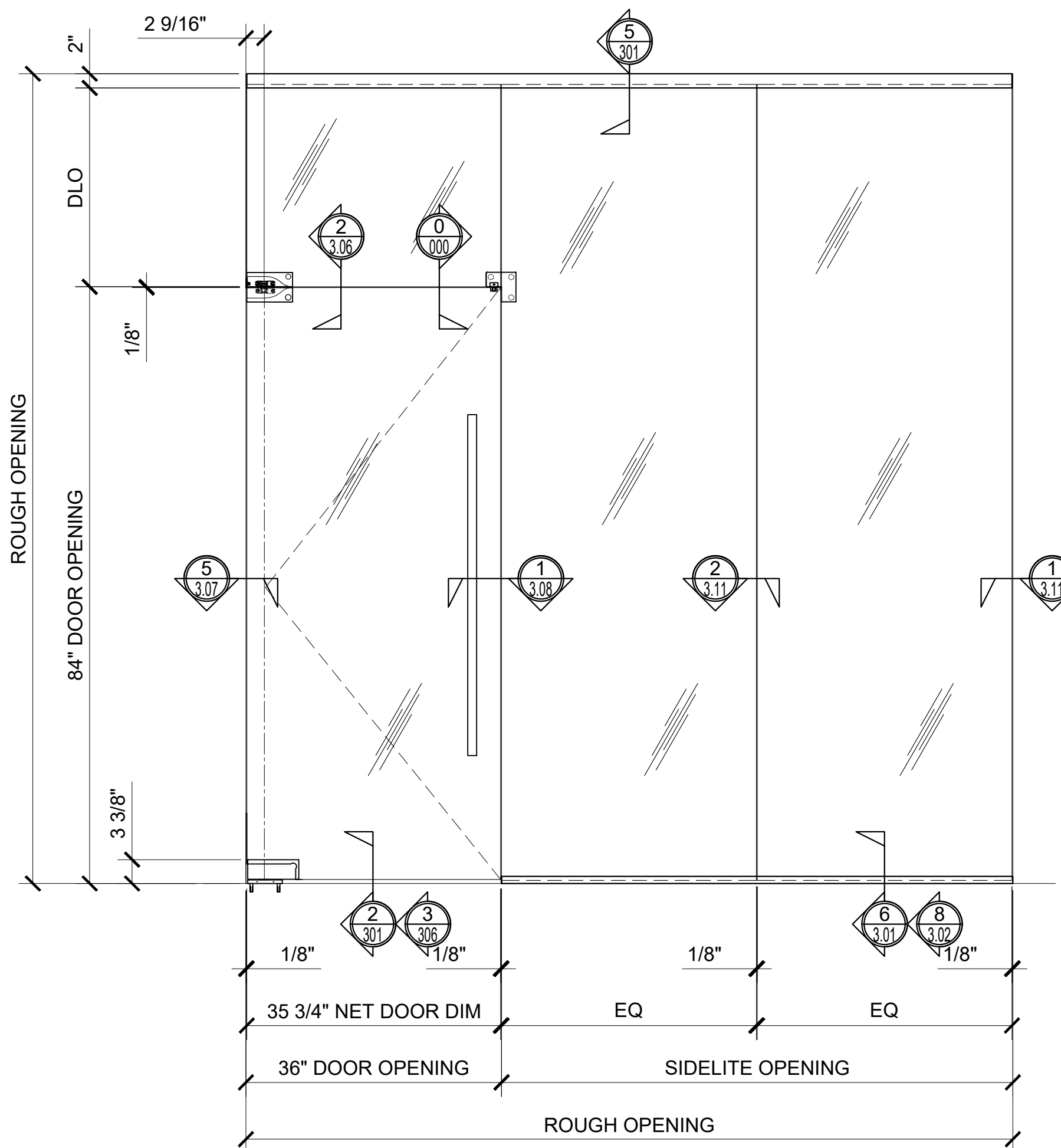
② ELEVATION

ARCH REF: NONE 3/4"=1'-0"



③ ELEVATION

ARCH REF: NONE 3/4"=1'-0"



④ ELEVATION

ARCH REF: NONE 3/4"=1'-0"

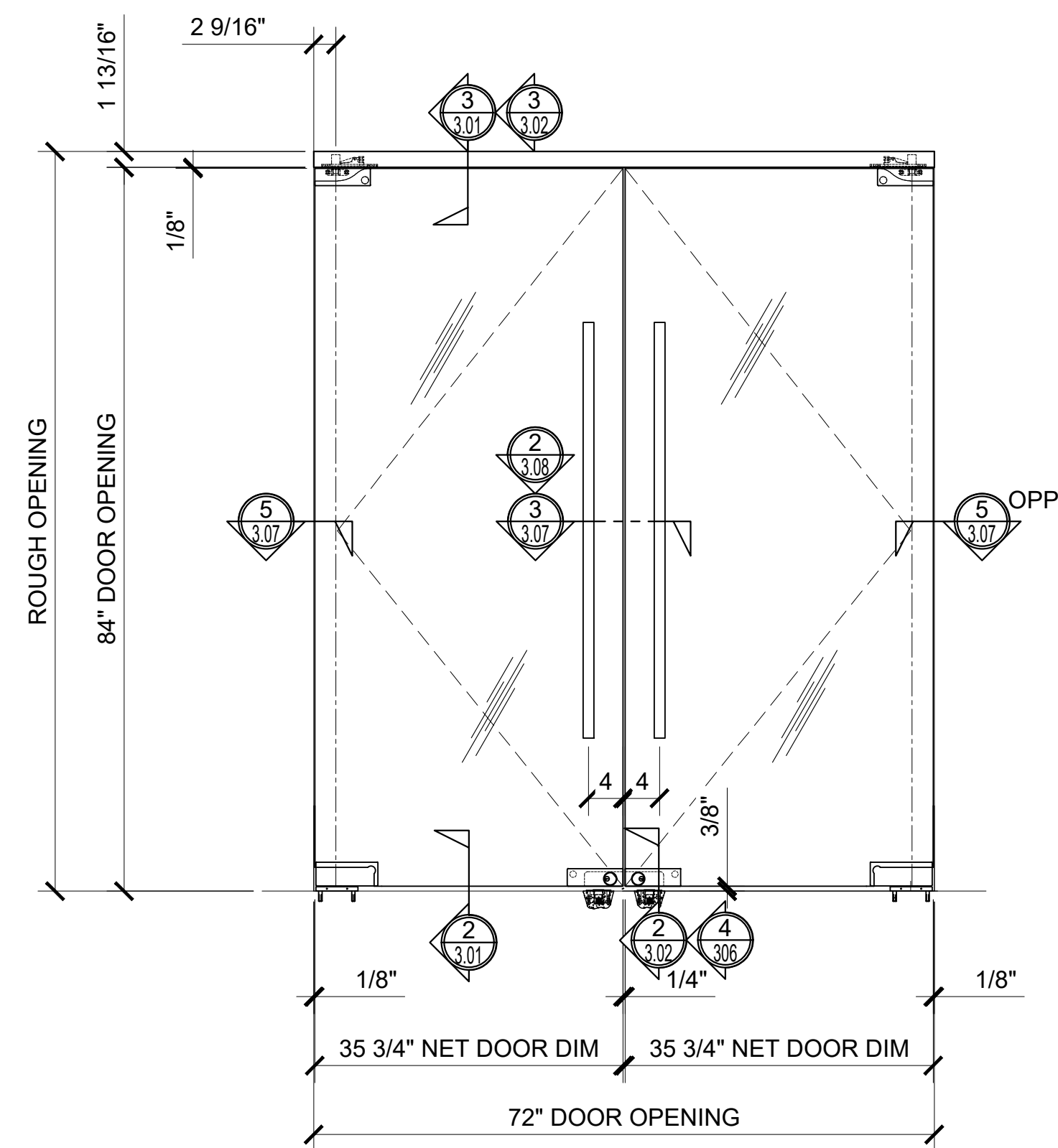
Architect: _____ Phone: _____
 Fax: _____ Contact: _____

Job Name: _____ Phone: _____
 Fax: _____ Contact: _____

Customer: _____ Phone: _____
 Fax: _____ Contact: _____

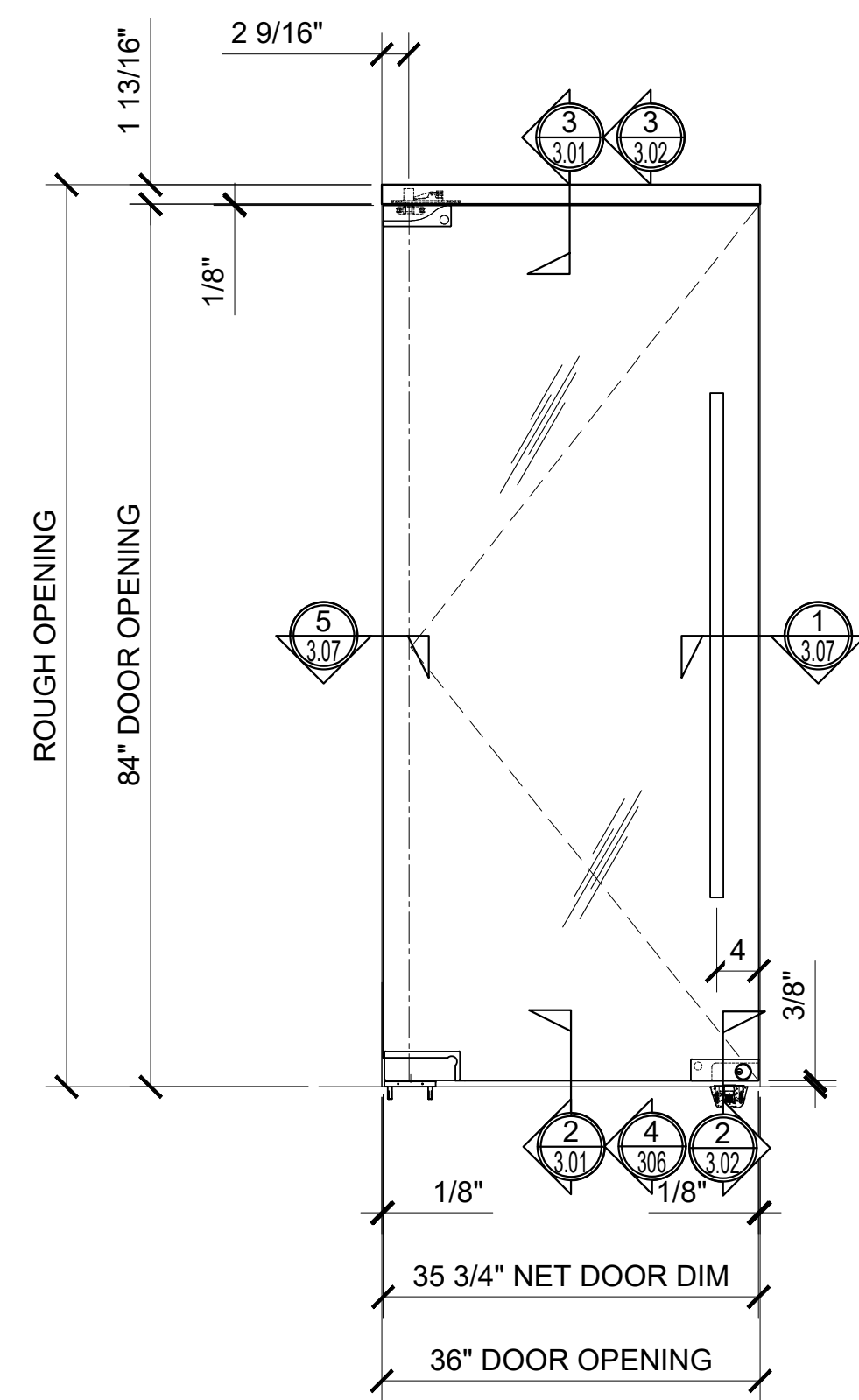
REV#	DATE	DRAWN BY
0	01/15/2022	JS
1		
2		
3		
4		
5		
6		

Drawn By: JS
 Checked By: JS
 Date: 00/00/0000
 Scale: AS NOTED
 Project #: 000000



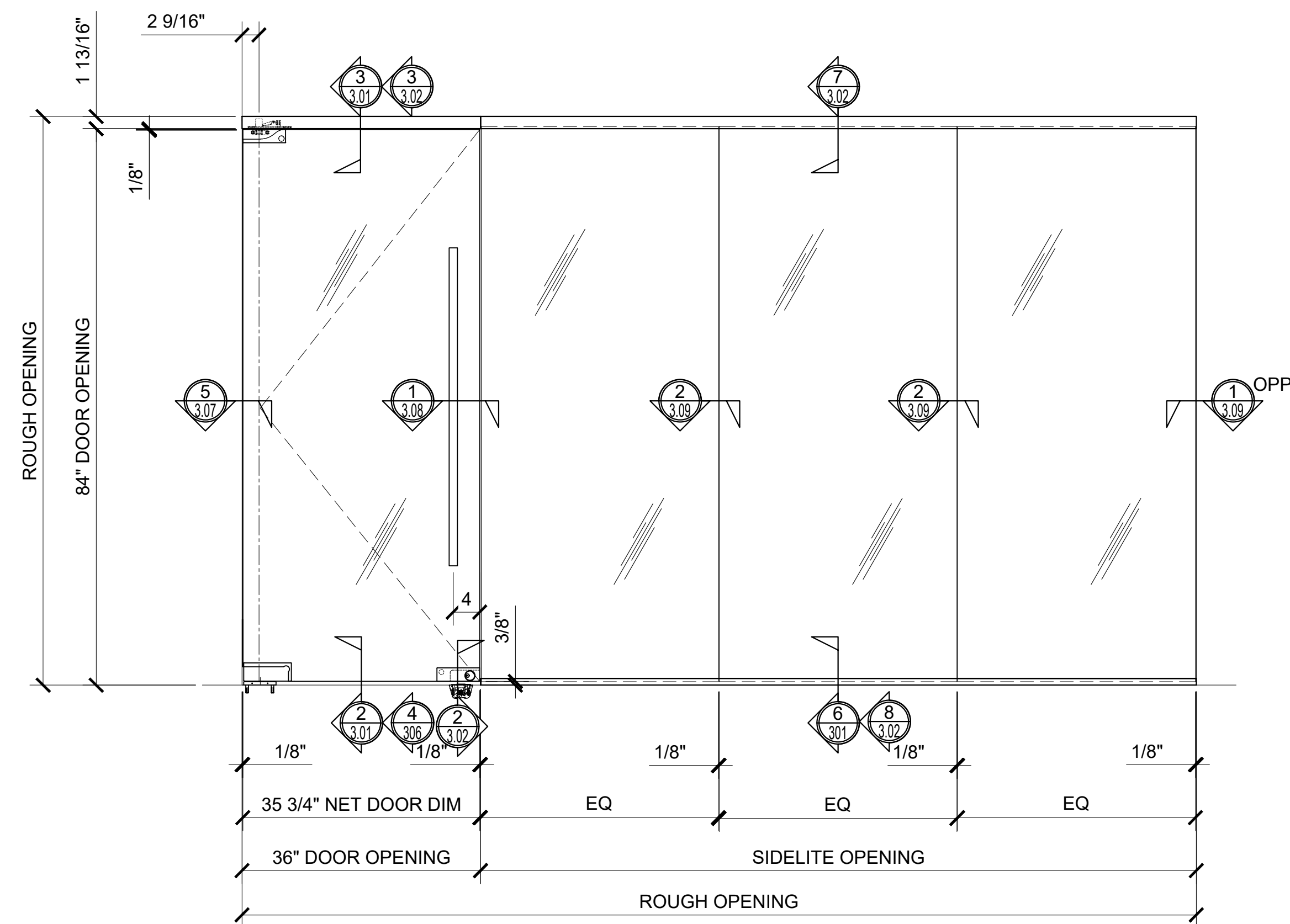
1 ELEVATION

ARCH REF: NONE 3/4"=1'-0"



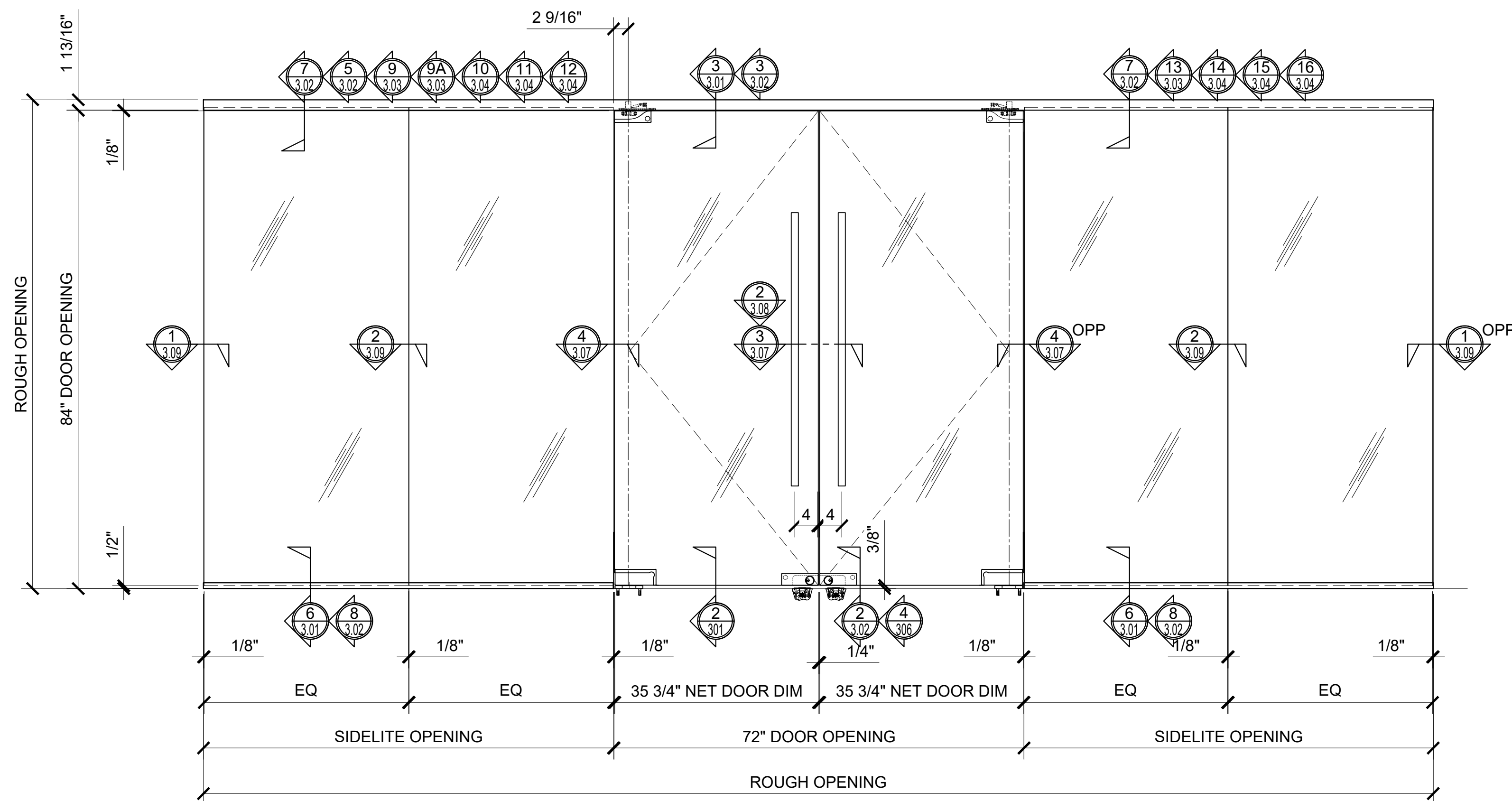
2 ELEVATION

ARCH REF: NONE 3/4"=1'-0"



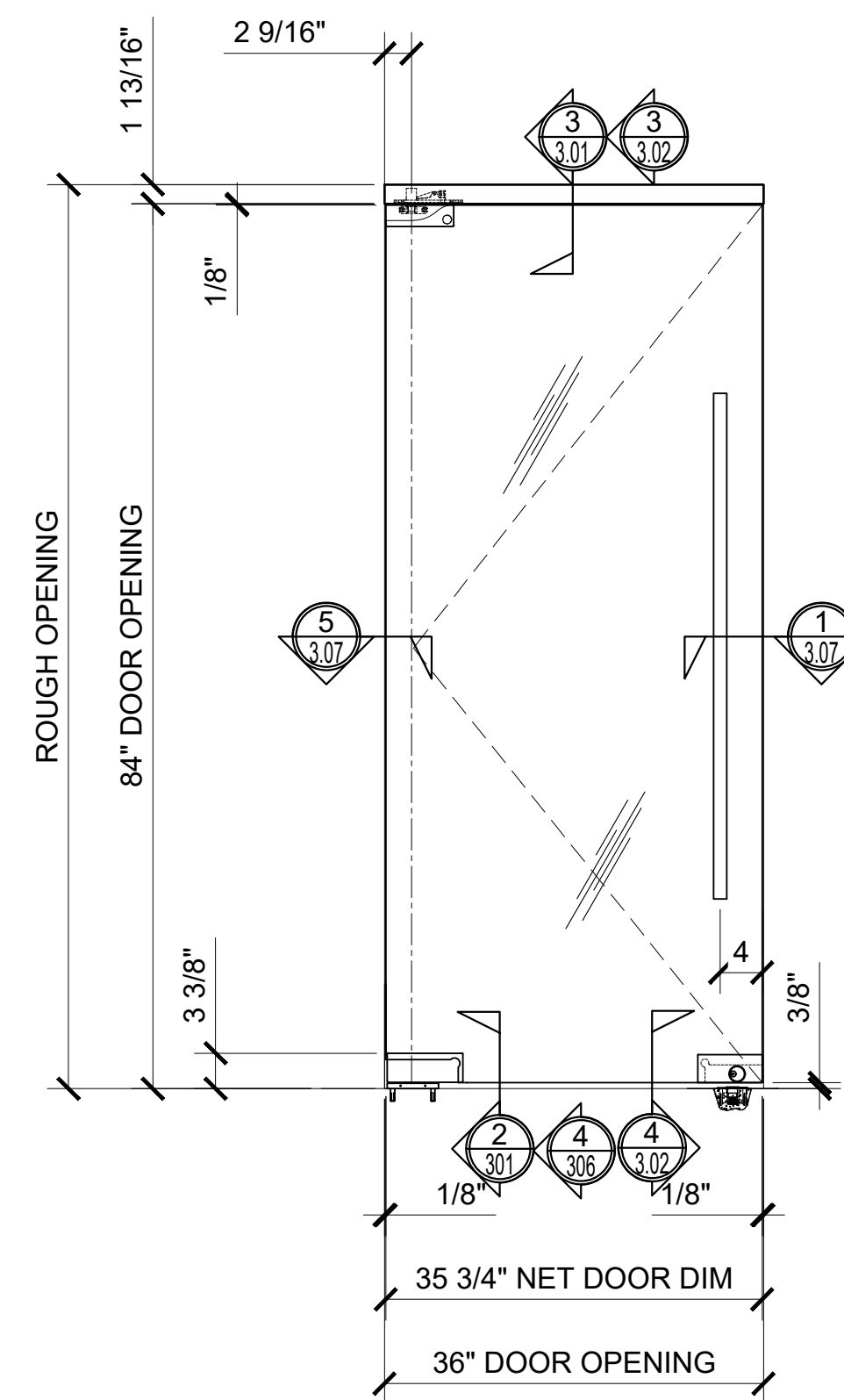
3 ELEVATION

ARCH REF: NONE 3/4"=1'-0"



4 ELEVATION

ARCH REF: NONE 3/4"=1'-0"



5 ELEVATION

ARCH REF: NONE 3/4"=1'-0"

Architect:

Phone:
 Fax:
 Contact:

Job Name:

Phone:
 Fax:
 Contact:

Customer:

Phone:
 Fax:
 Contact:

DRAWN BY

DATE

Drawn By: JS

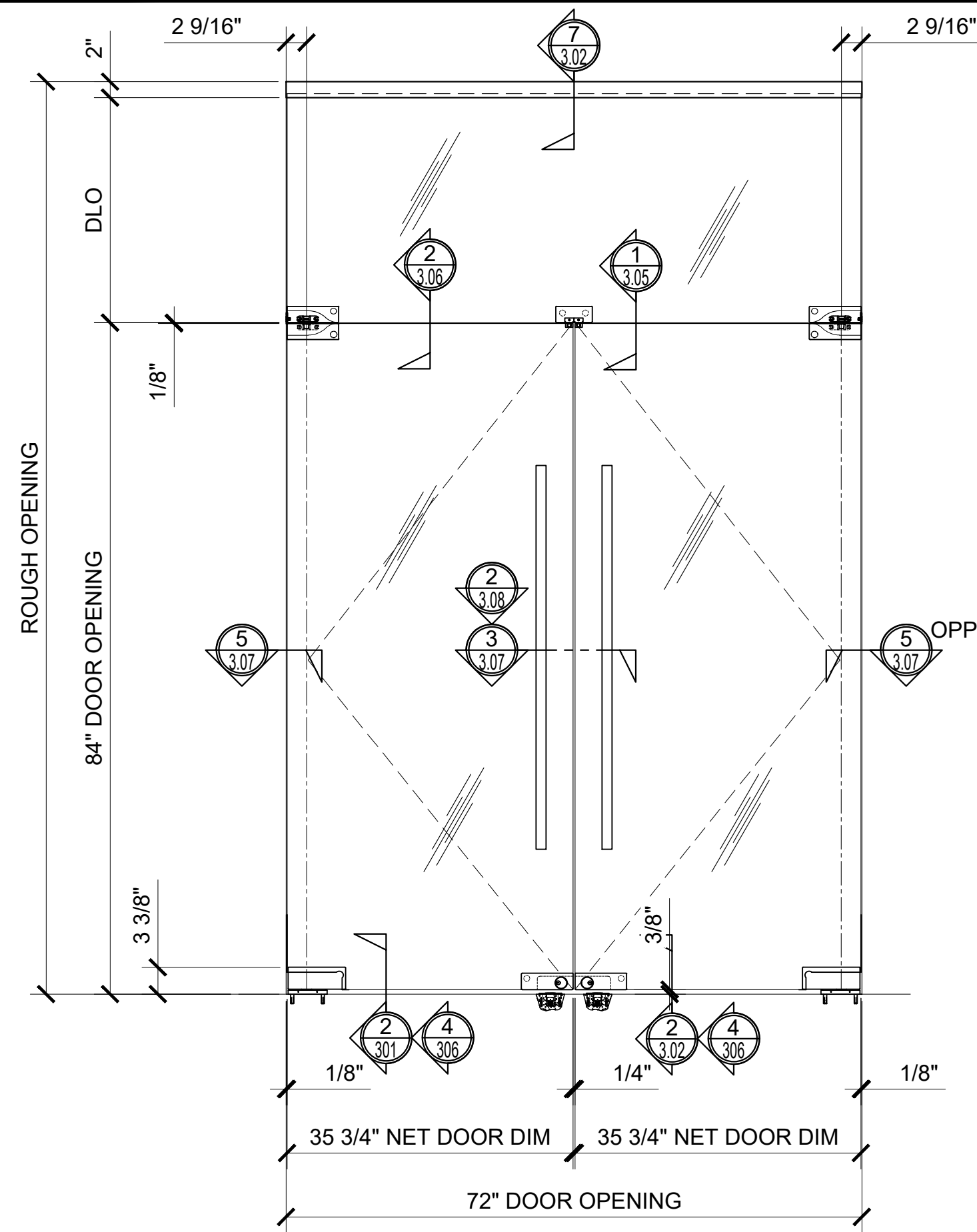
Checked By: JS

Date: 00/00/0000

Scale: AS NOTED

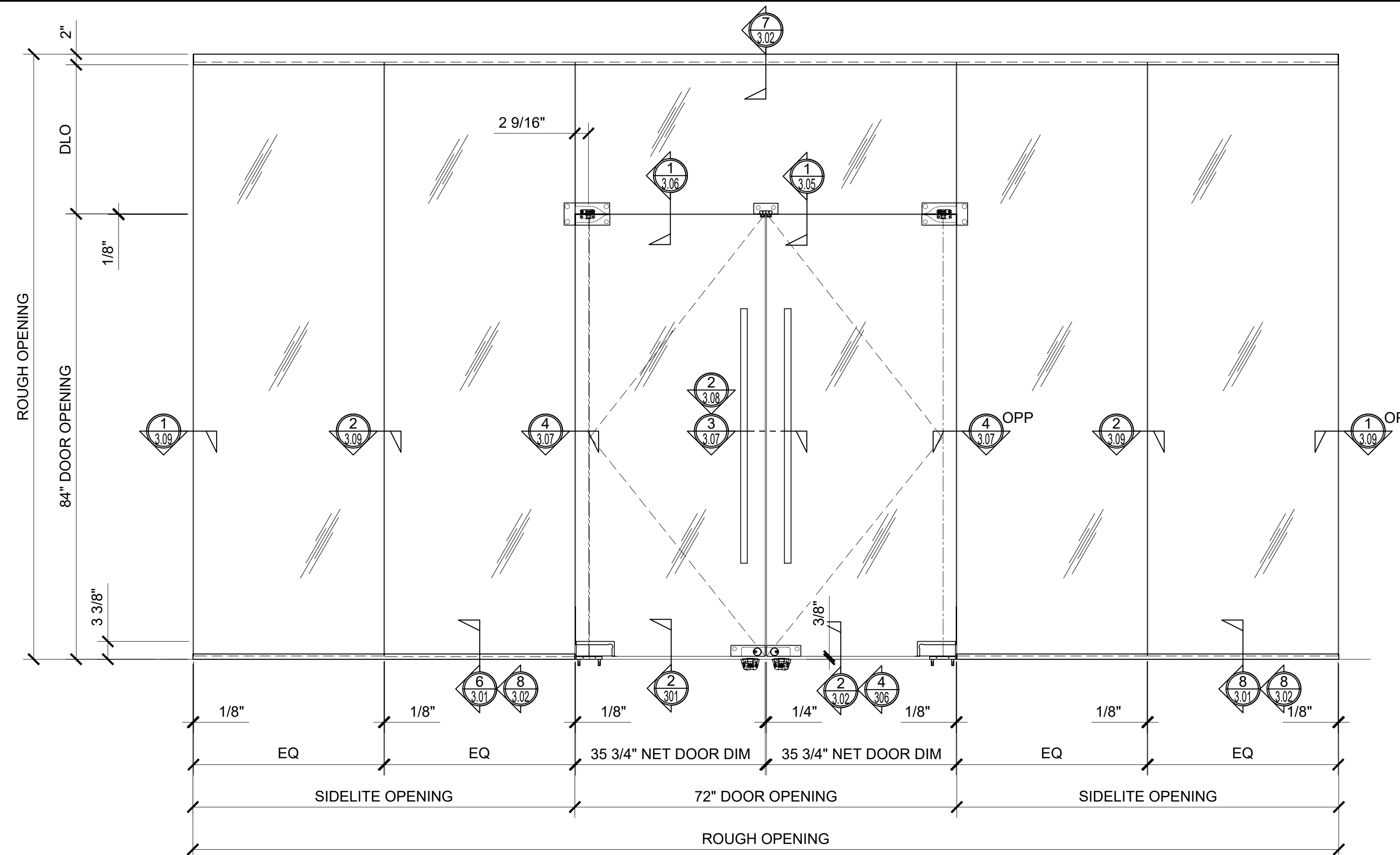
Project #: 000000

Sheet No.



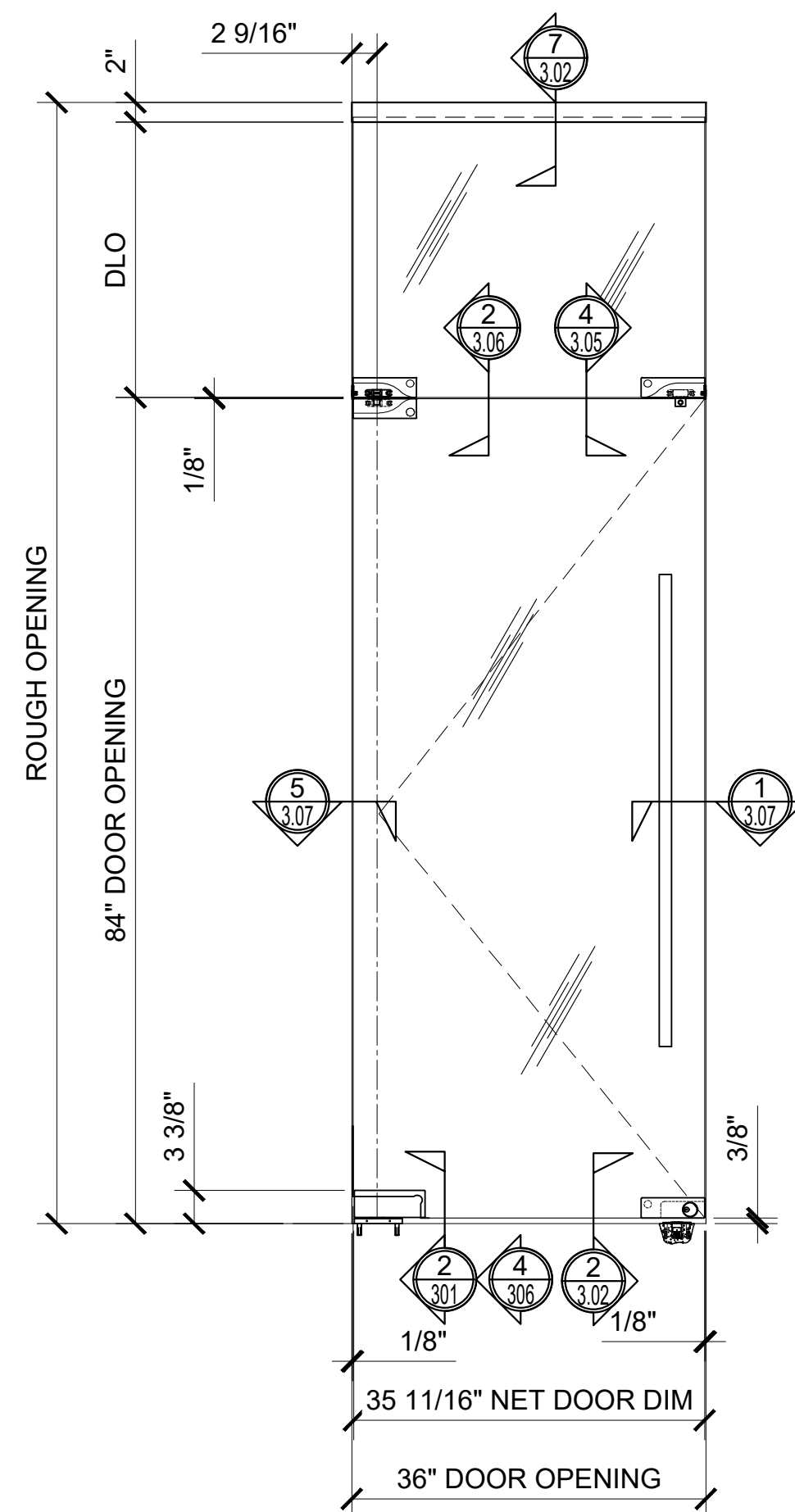
1 ELEVATION

ARCH REF: NONE 3/4"=1'-0"



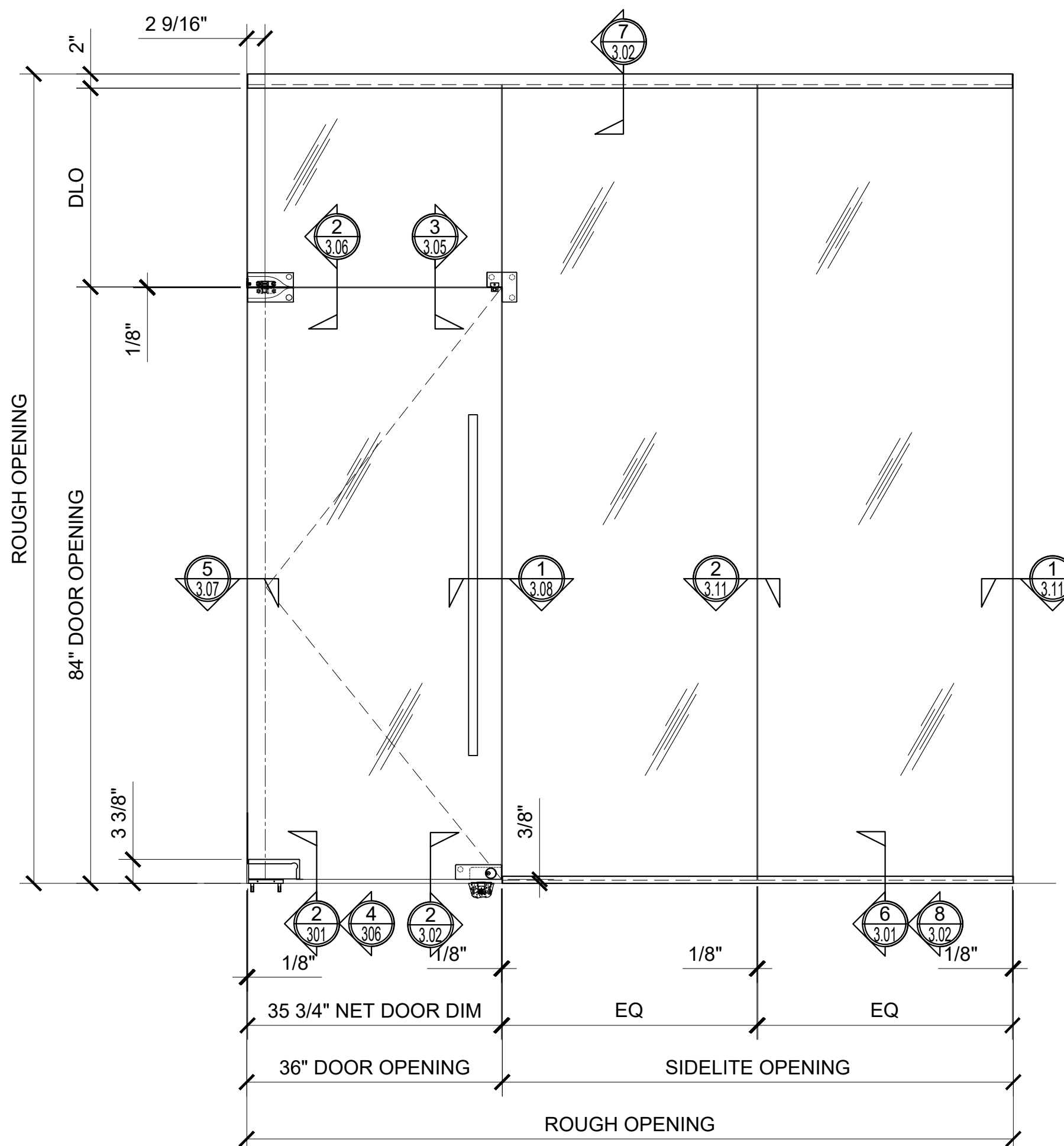
2 ELEVATION

ARCH REF: NONE 3/4"=1'-0"



3 ELEVATION

ARCH REF: NONE 3/4"=1'-0"



4 ELEVATION

ARCH REF: NONE 3/4"=1'-0"

Architect: _____
 Phone: _____
 Fax: _____
 Contact: _____

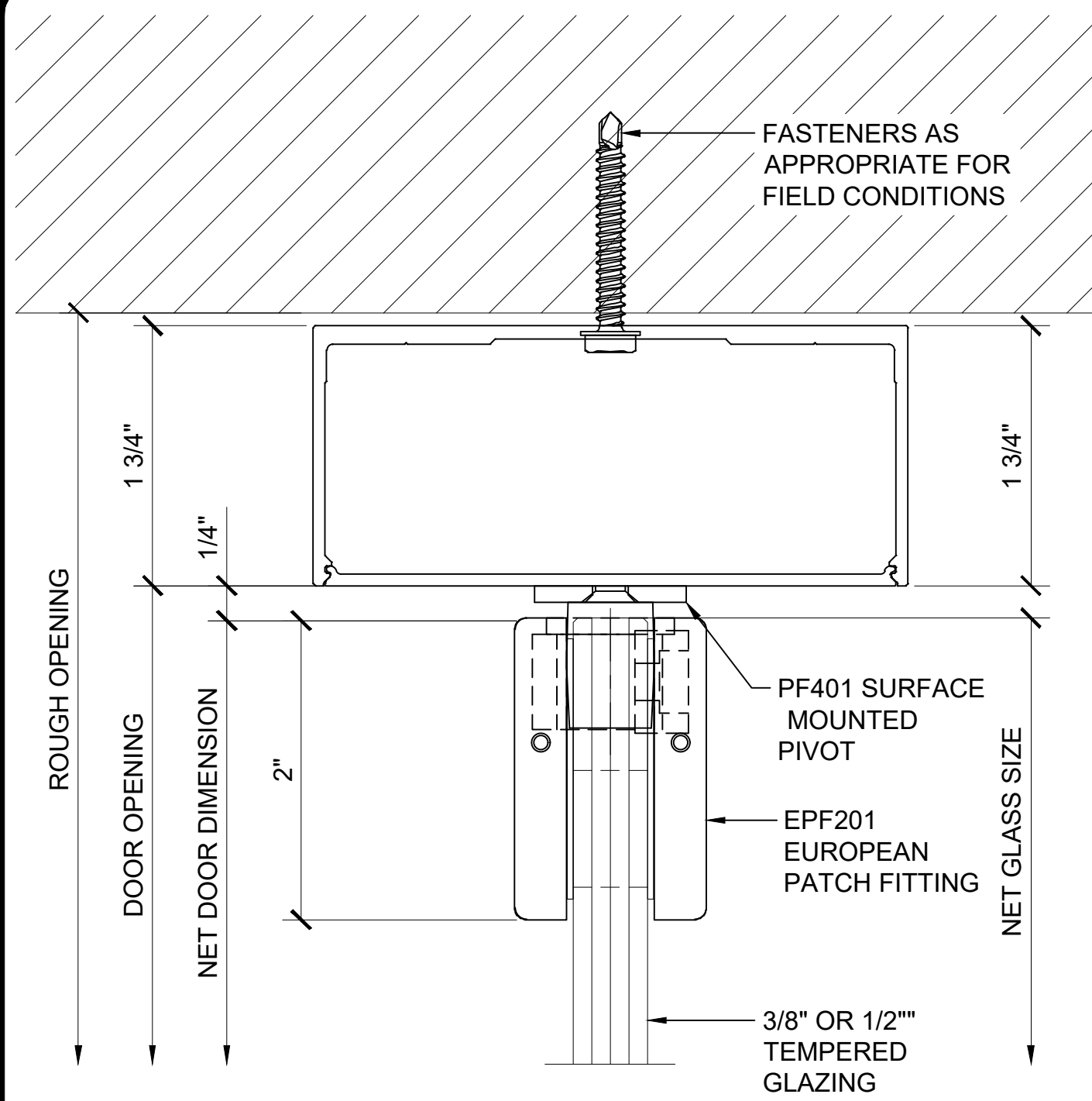
Job Name: _____
 Phone: _____
 Fax: _____
 Contact: _____

Customer: _____
 Phone: _____
 Fax: _____
 Contact: _____

REV#	DATE	DRAWN BY
0	01/15/2022	JS
1		
2		
3		
4		
5		
6		

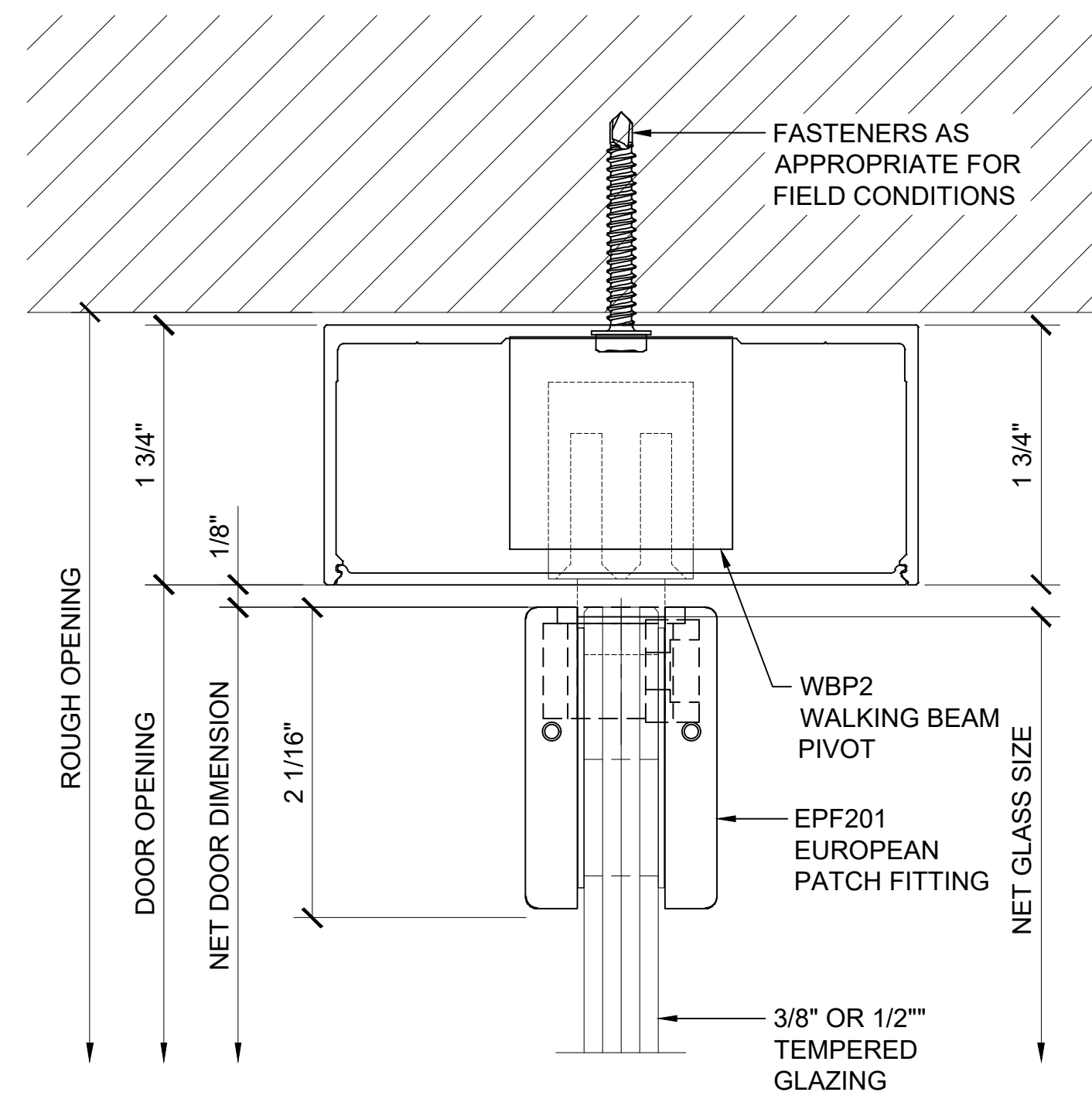
Drawn By: JS
 Checked By: JS
 Date: 00/00/0000
 Scale: AS NOTED
 Project #: 000000

Sheet No.



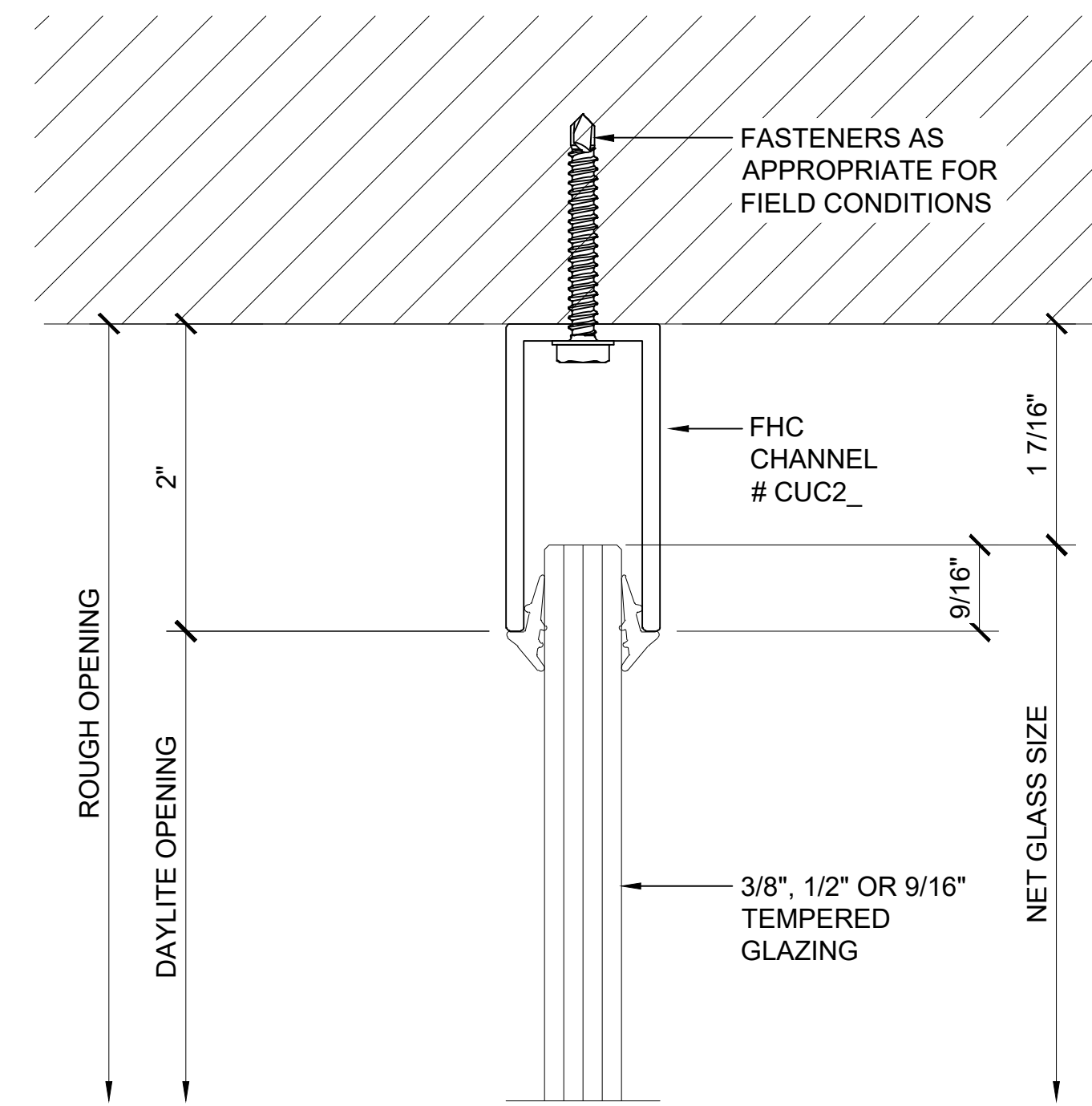
① SURFACE APPLIED CENTER PIVOT @ HEAD DETAIL

ARCH REF: 1'-0"=1'-0"



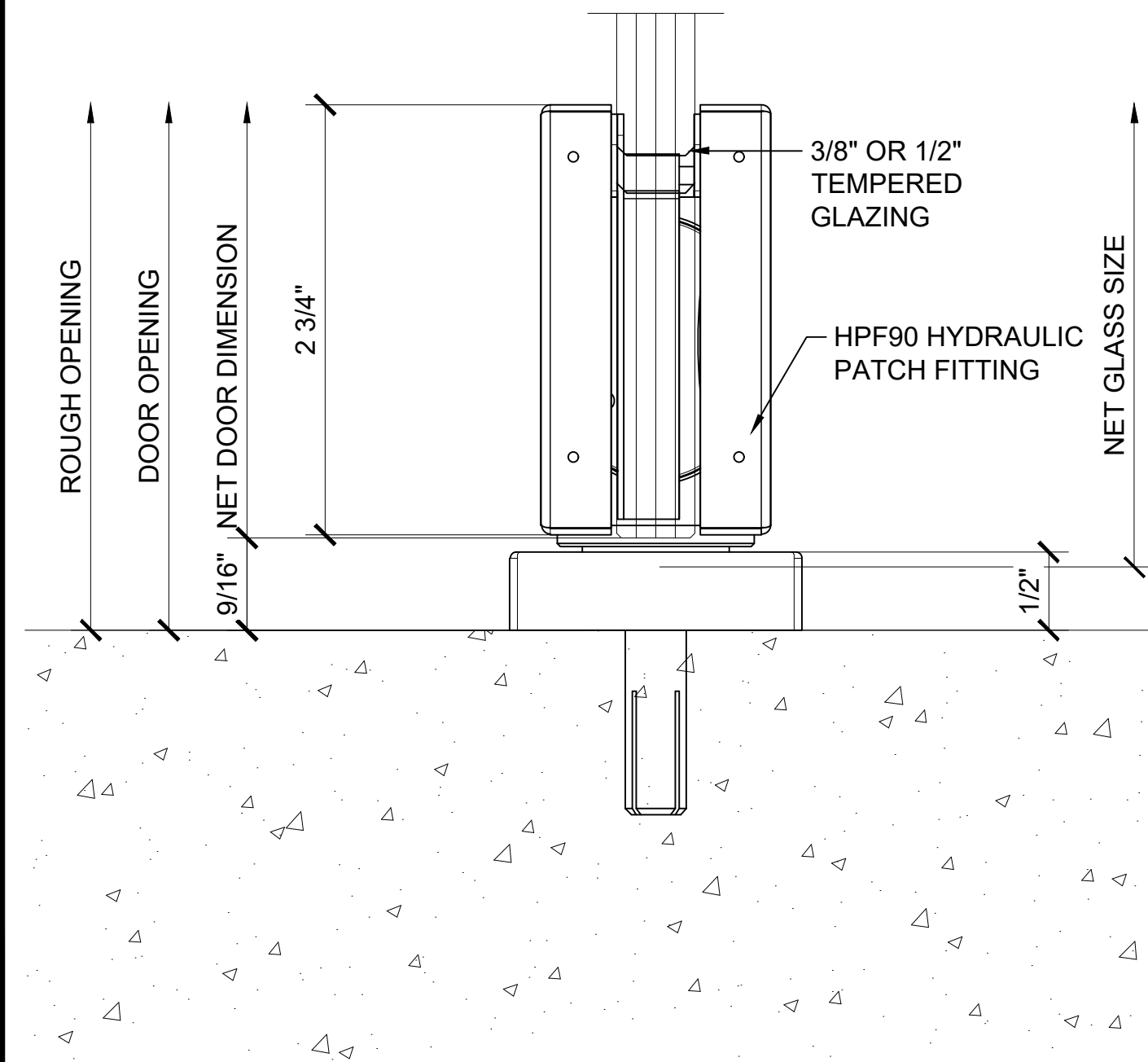
③ HEAD DETAIL

ARCH REF: 1'-0"=1'-0"



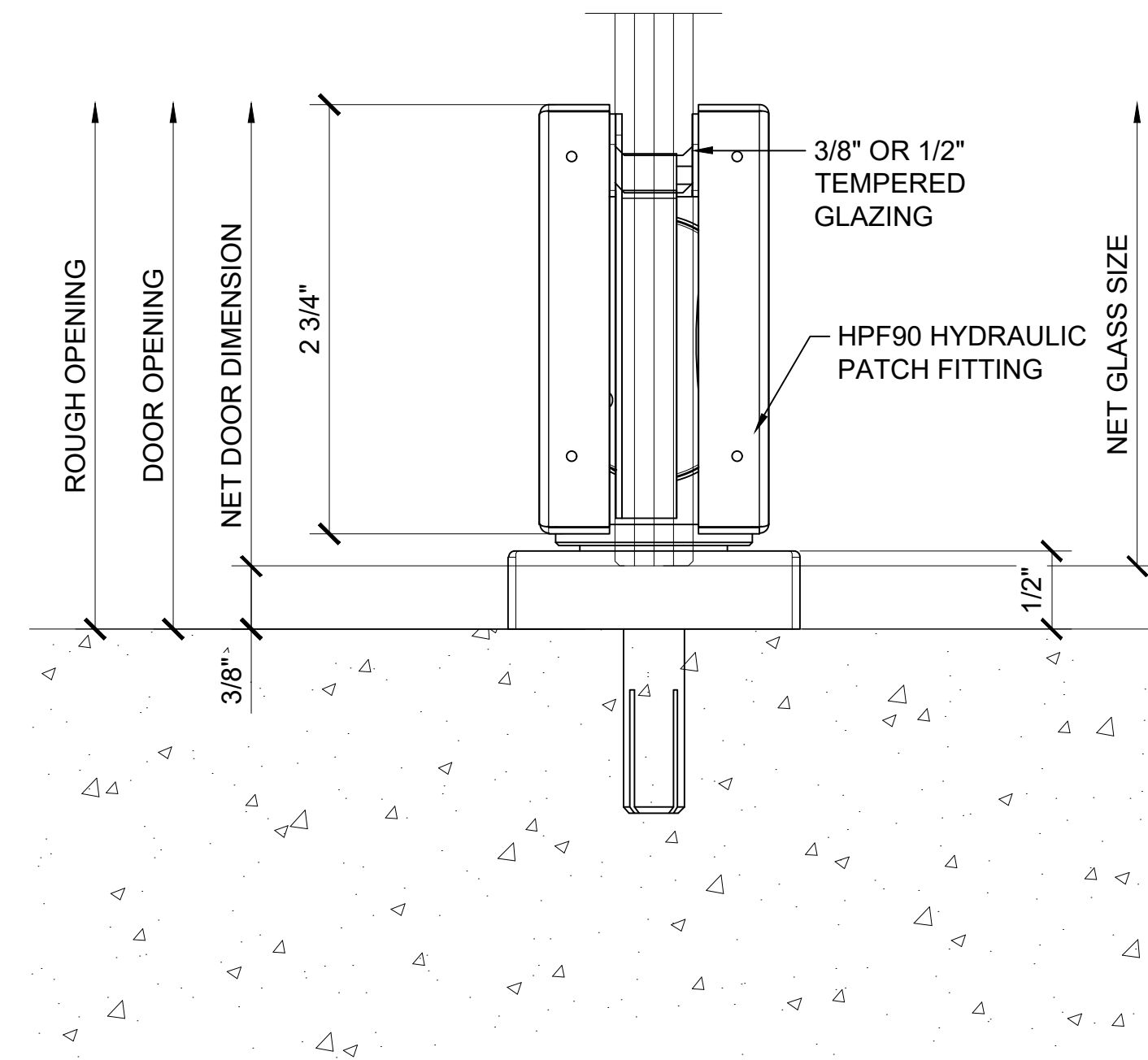
⑤ HEAD DETAIL

ARCH REF: 1'-0"=1'-0"



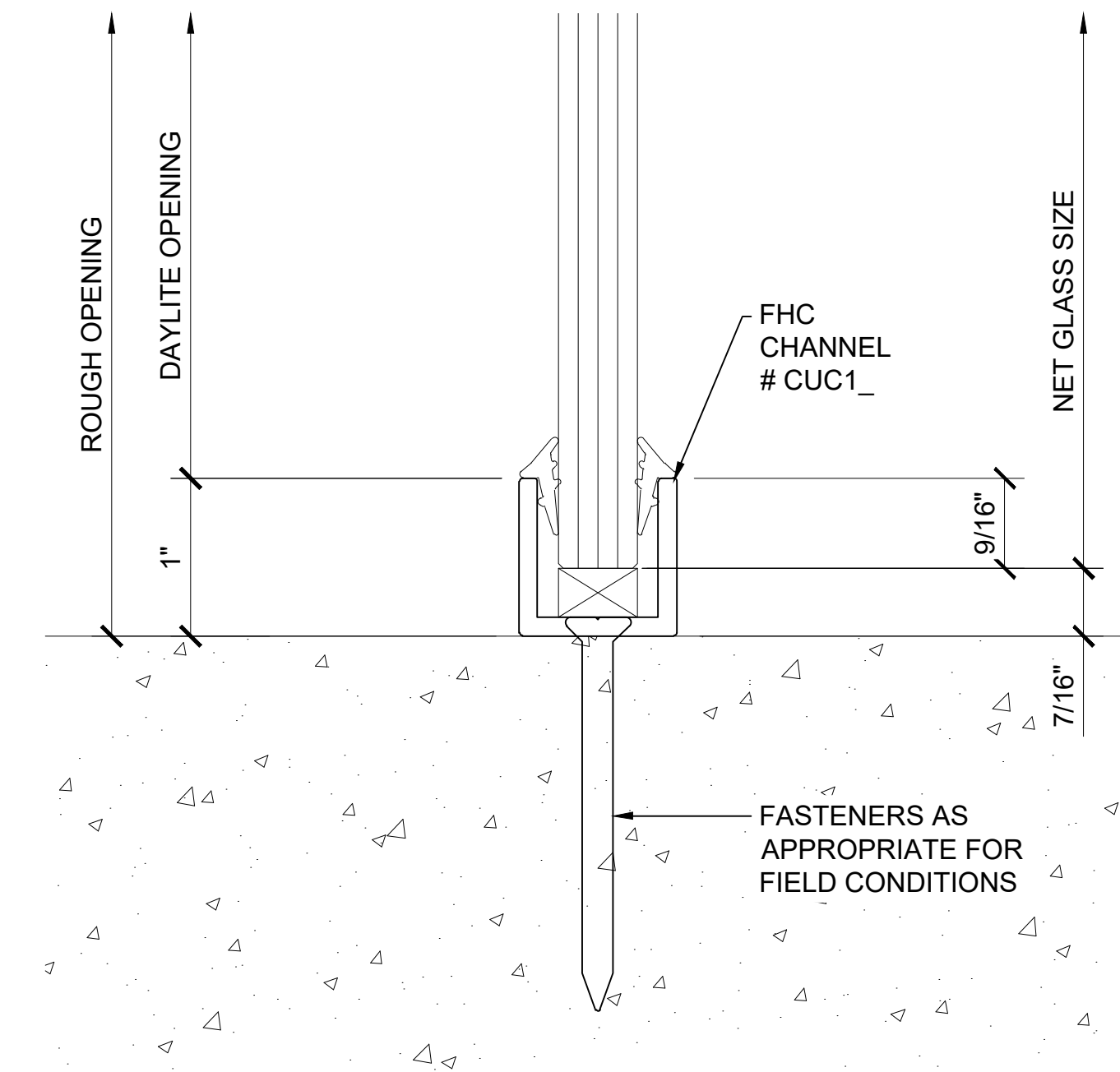
② SILL DETAIL-9/16\"/>

ARCH REF: 1'-0"=1'-0"



② SILL DETAIL-3/8\"/>

ARCH REF: 1'-0"=1'-0"



⑥ SILL DETAIL

ARCH REF: 1'-0"=1'-0"

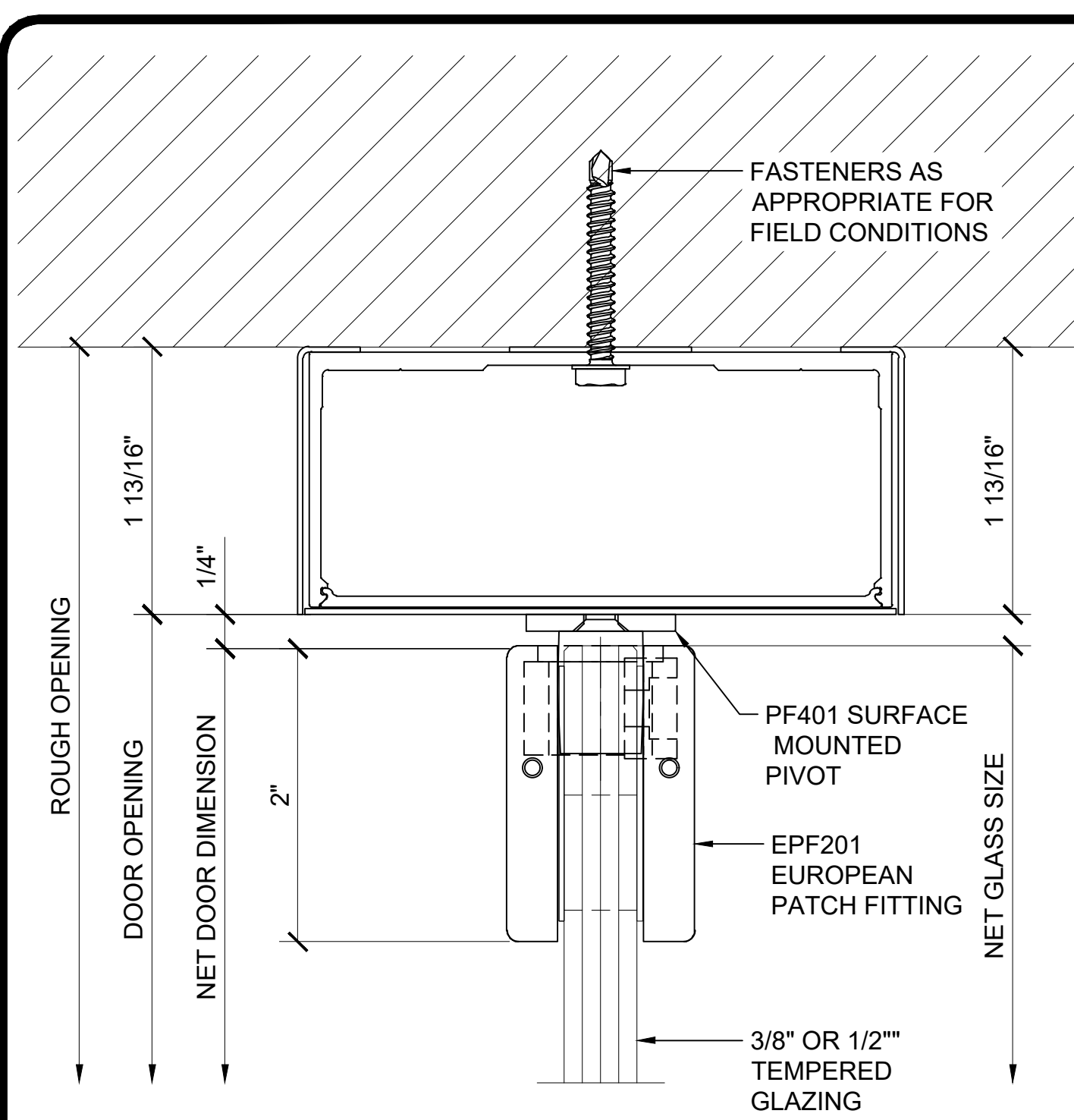
Architect: _____ Phone: _____
 Fax: _____ Contact: _____

Job Name: _____ Phone: _____
 Fax: _____ Contact: _____

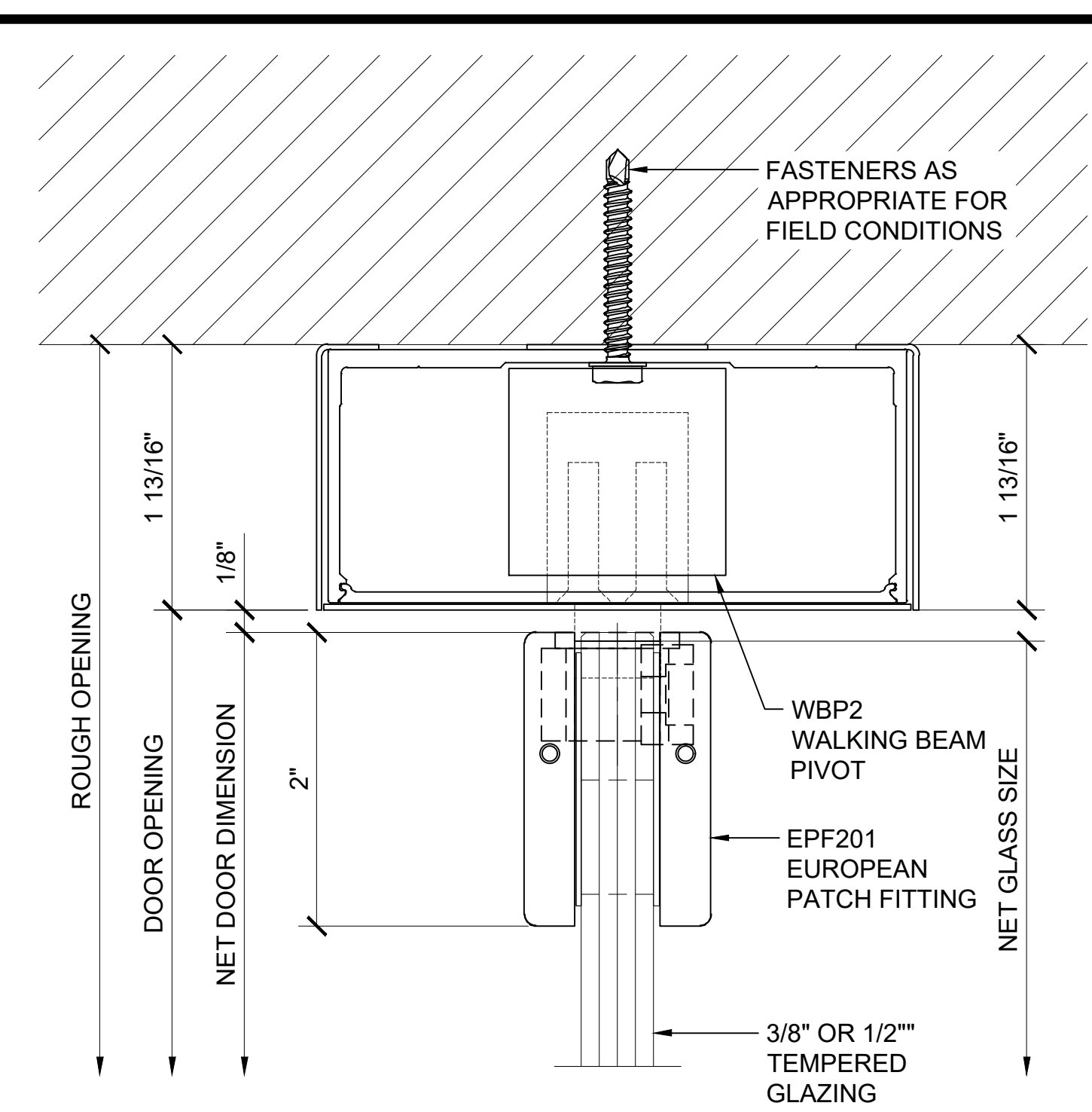
Customer: _____ Phone: _____
 Fax: _____ Contact: _____

DRAWN BY	JS
DATE	01/15/2022
REV#	1 2 3 4 5 6

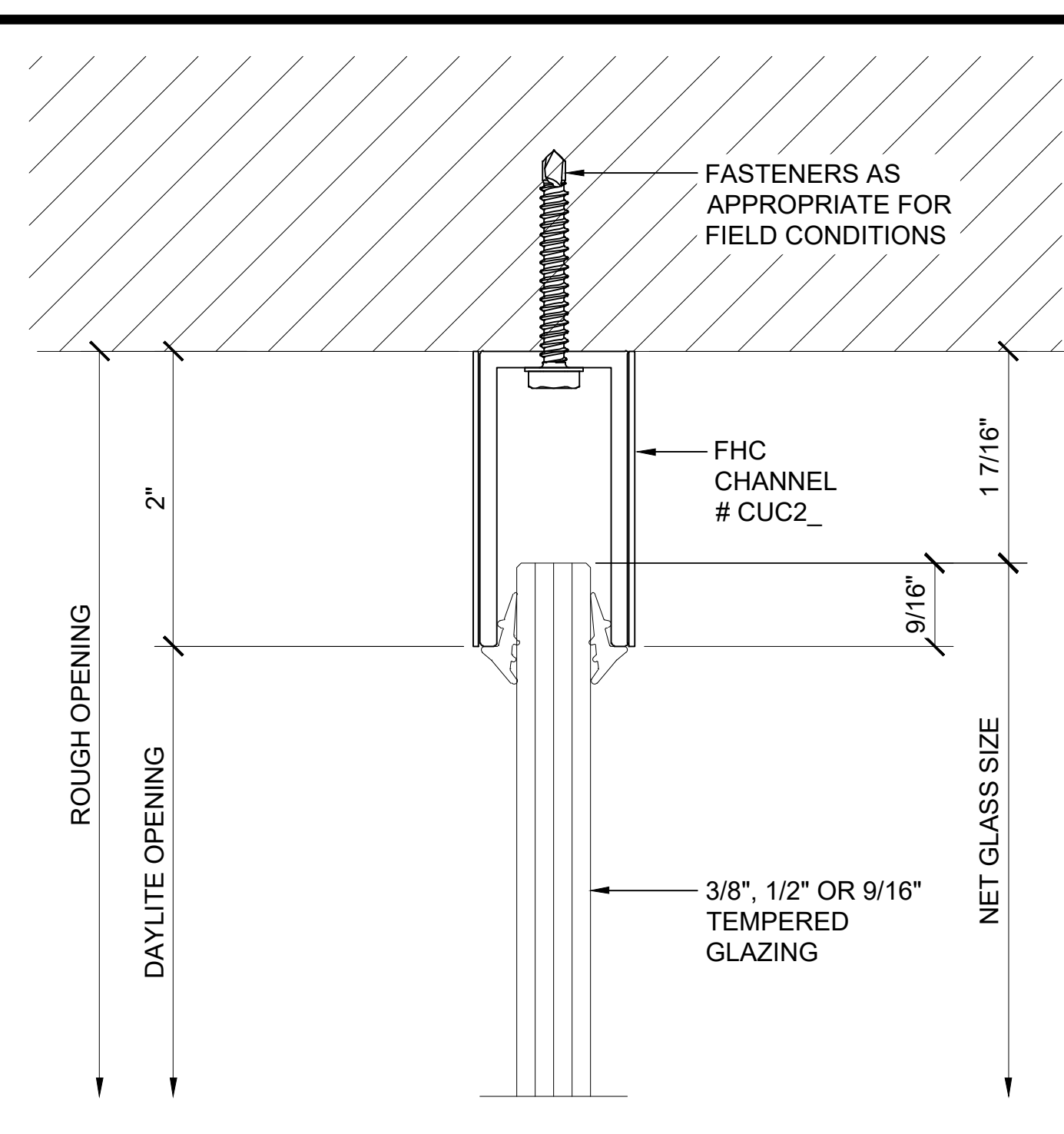
Drawn By: JS
 Checked By: JS
 Date: 00/00/0000
 Scale: AS NOTED
 Project #: 000000



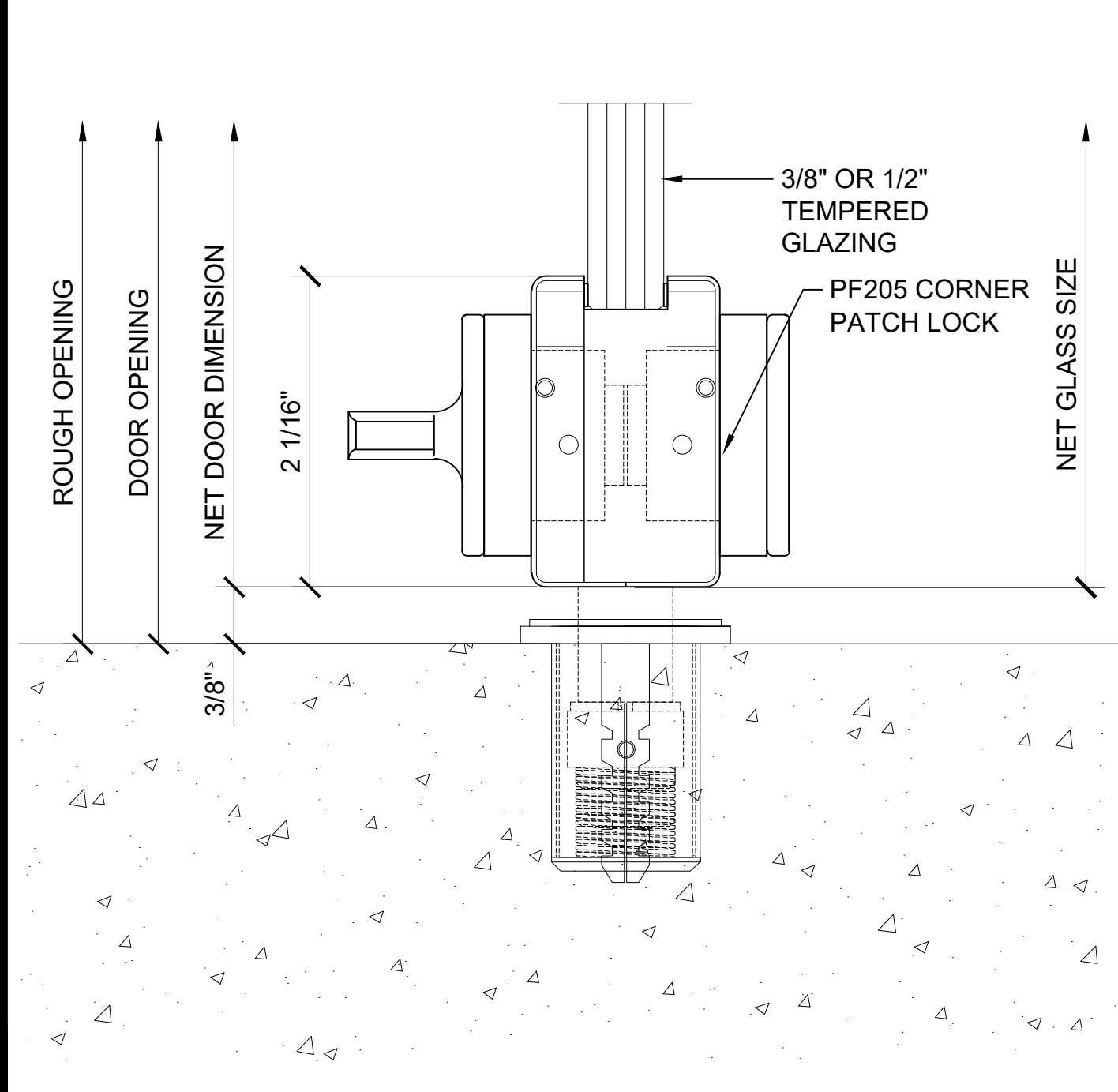
1 SURFACE APPLIED CENTER PIVOT @ HEAD DETAIL
 ARCH REF: 1'-0"=1'-0"



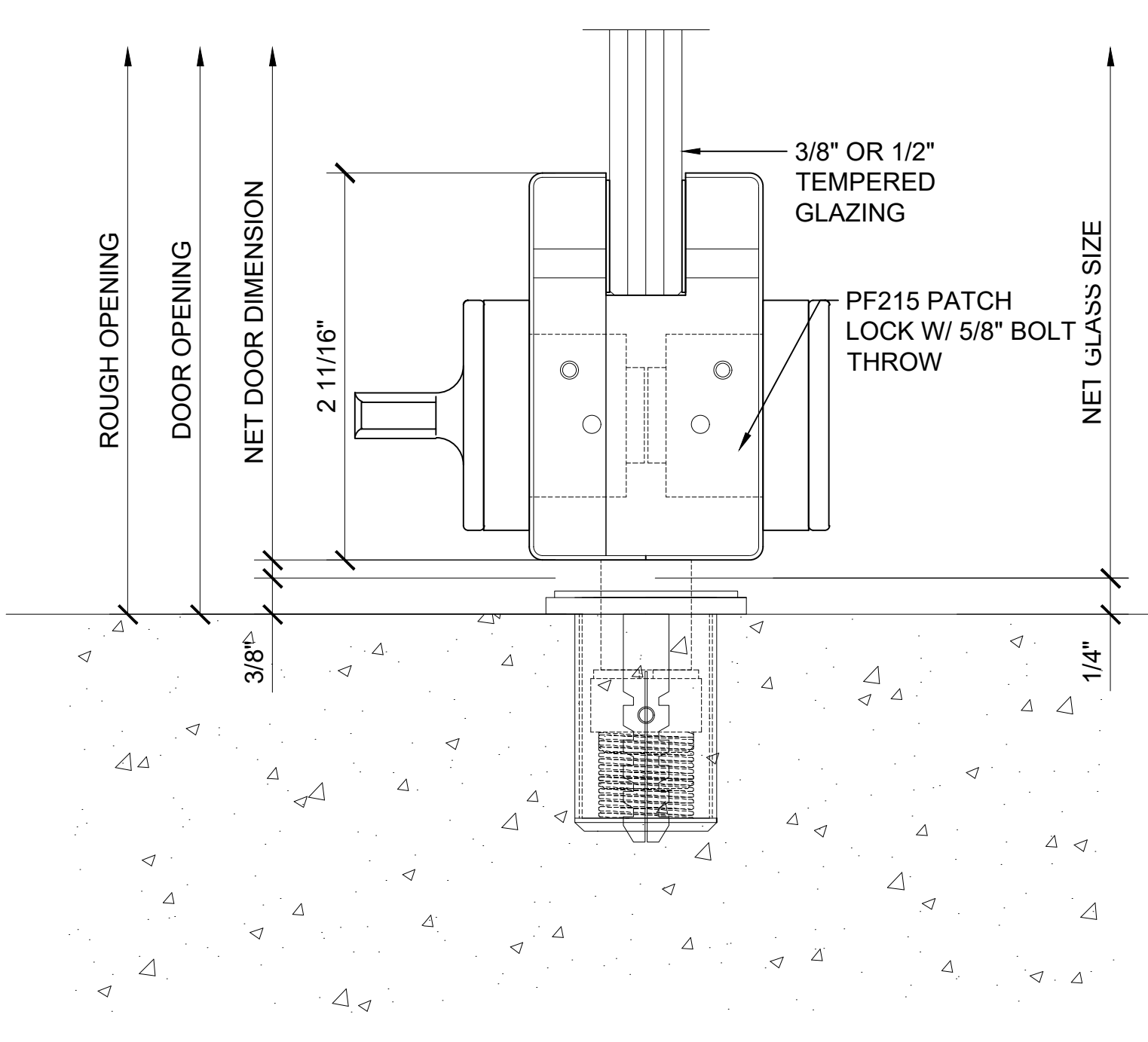
3 HEAD DETAIL
 ARCH REF: 1'-0"=1'-0"



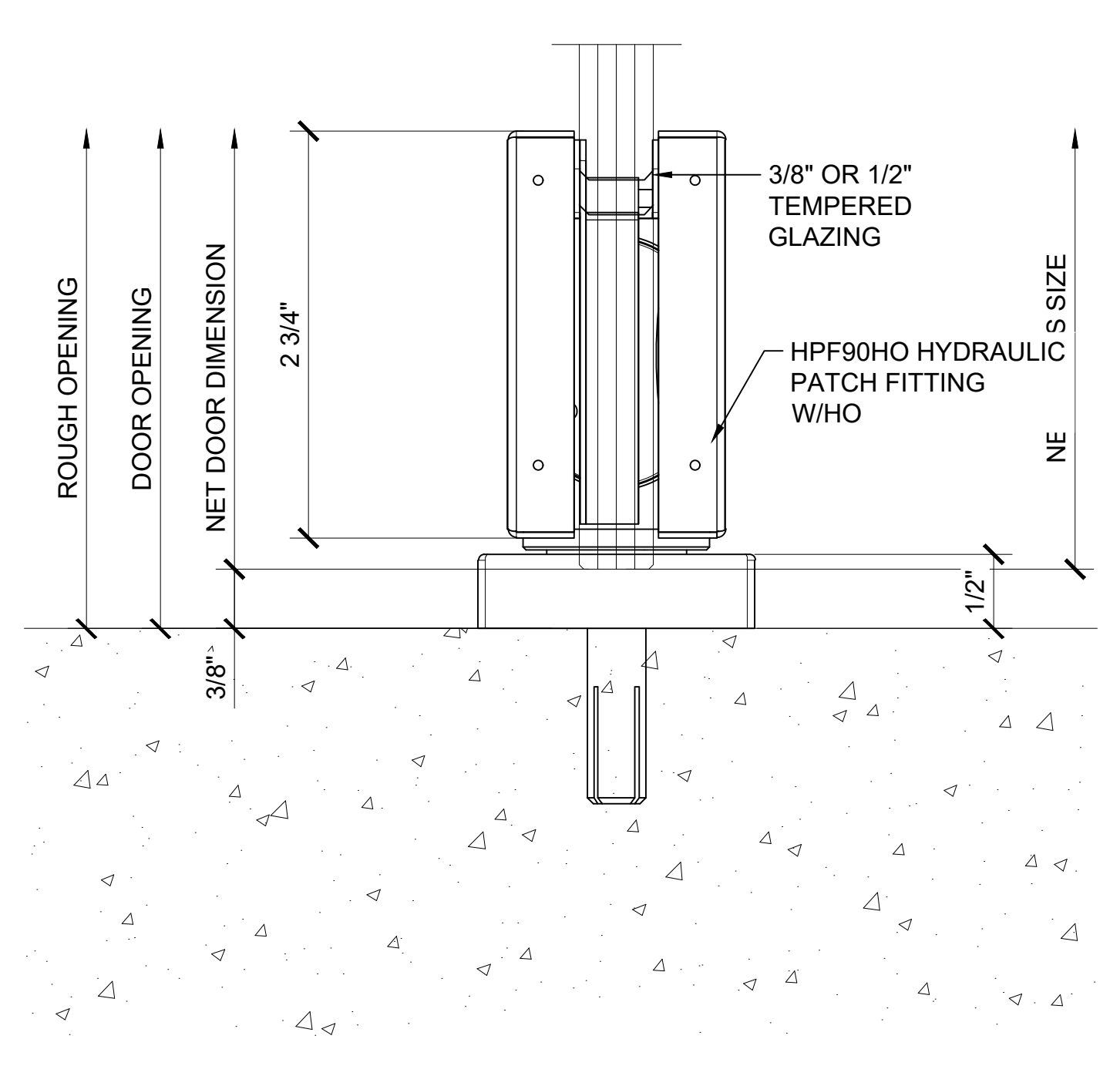
5 HEAD DETAIL
 ARCH REF: 1'-0"=1'-0"



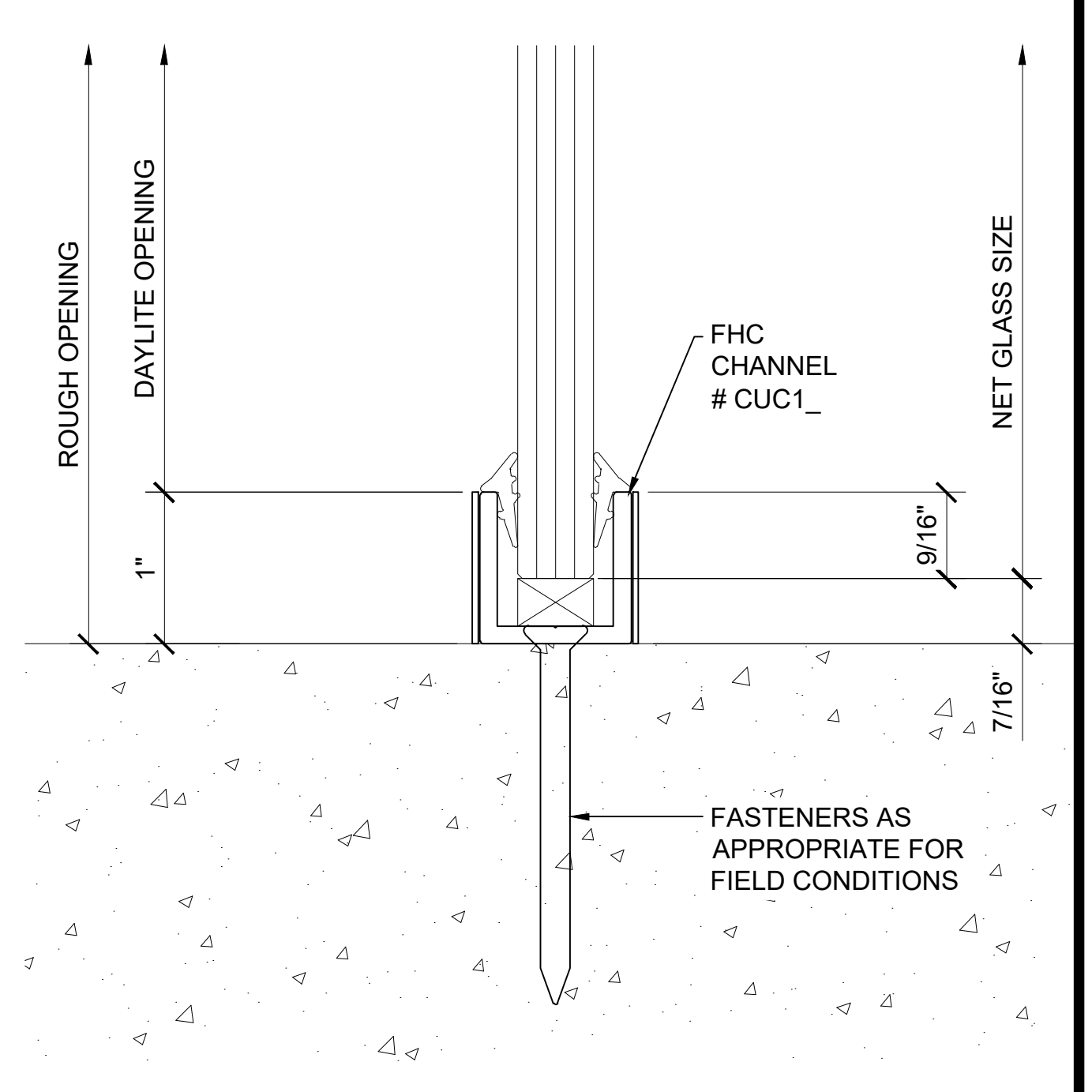
2 SILL DETAIL
 ARCH REF: 1'-0"=1'-0"



4 SILL DETAIL
 ARCH REF: 1'-0"=1'-0"



6 SILL DETAIL
 ARCH REF: 1'-0"=1'-0"



8 SILL DETAIL
 ARCH REF: 1'-0"=1'-0"

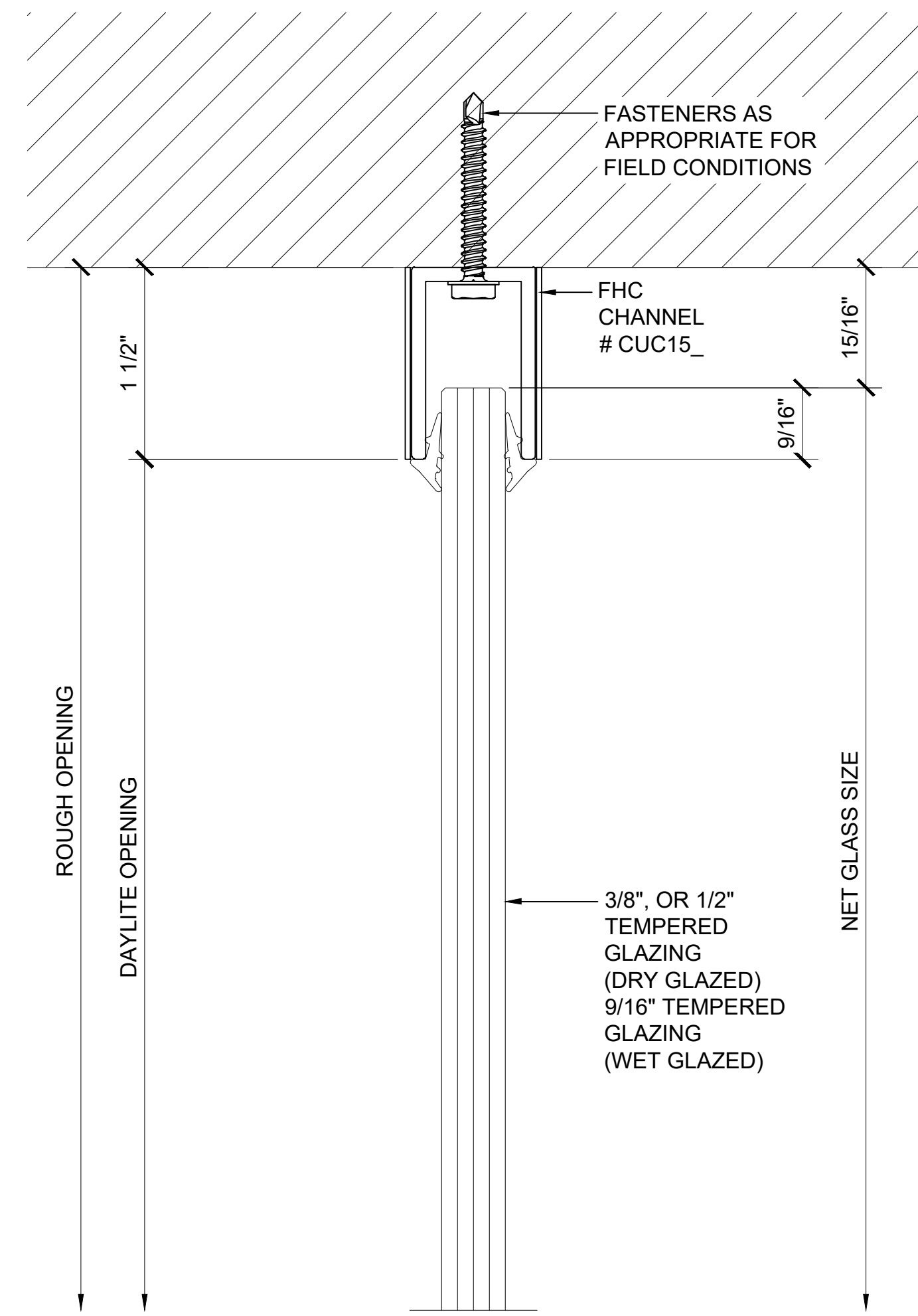
Architect: _____
 Phone: _____
 Fax: _____
 Contact: _____

Job Name: _____
 Phone: _____
 Fax: _____
 Contact: _____

Customer: _____
 Phone: _____
 Fax: _____
 Contact: _____

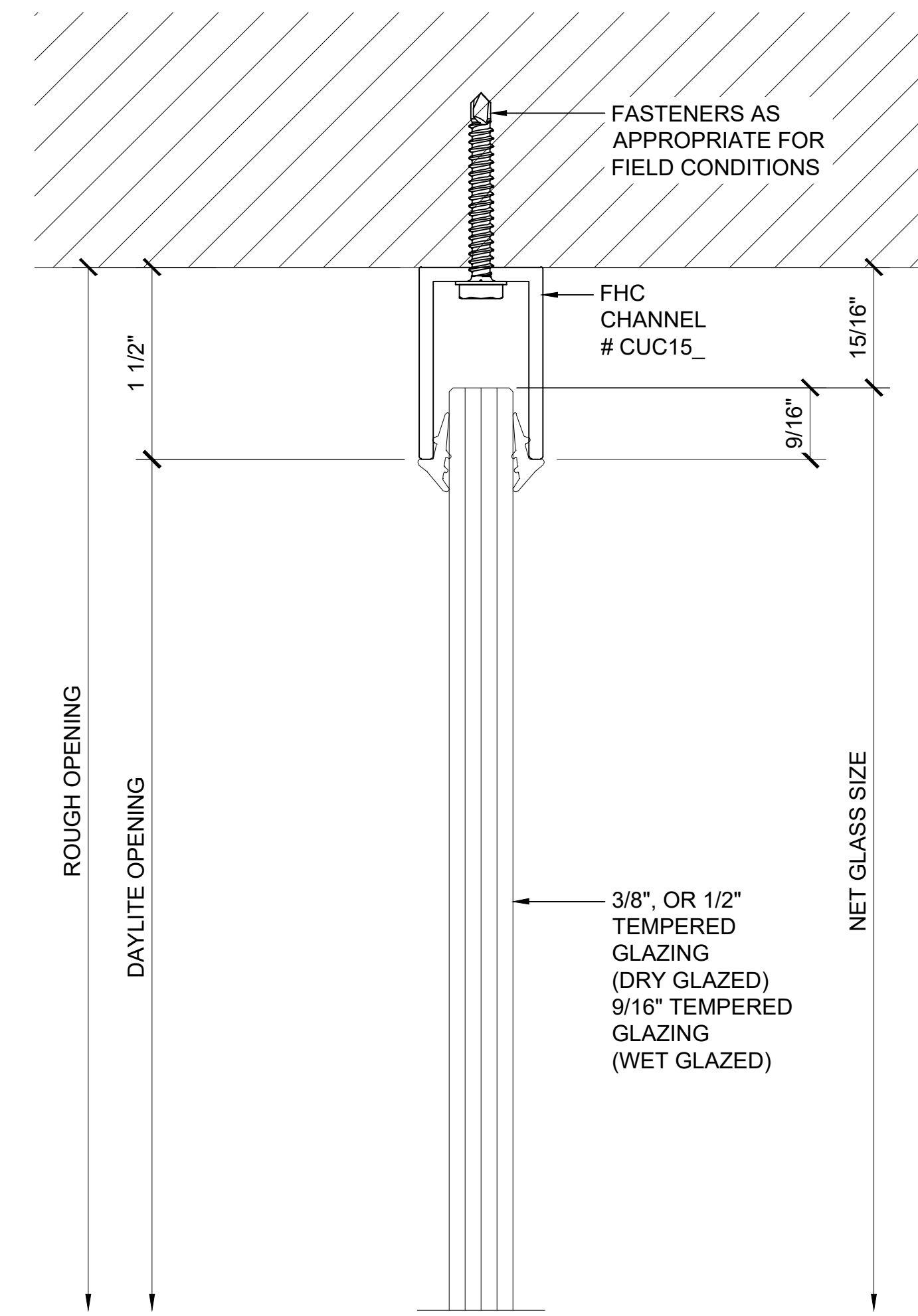
REV#	DATE	DRAWN BY
0	01/15/2022	JS
1		
2		
3		
4		
5		
6		

Drawn By: JS
 Checked By: JS
 Date: 00/00/0000
 Scale: AS NOTED
 Project #: 000000



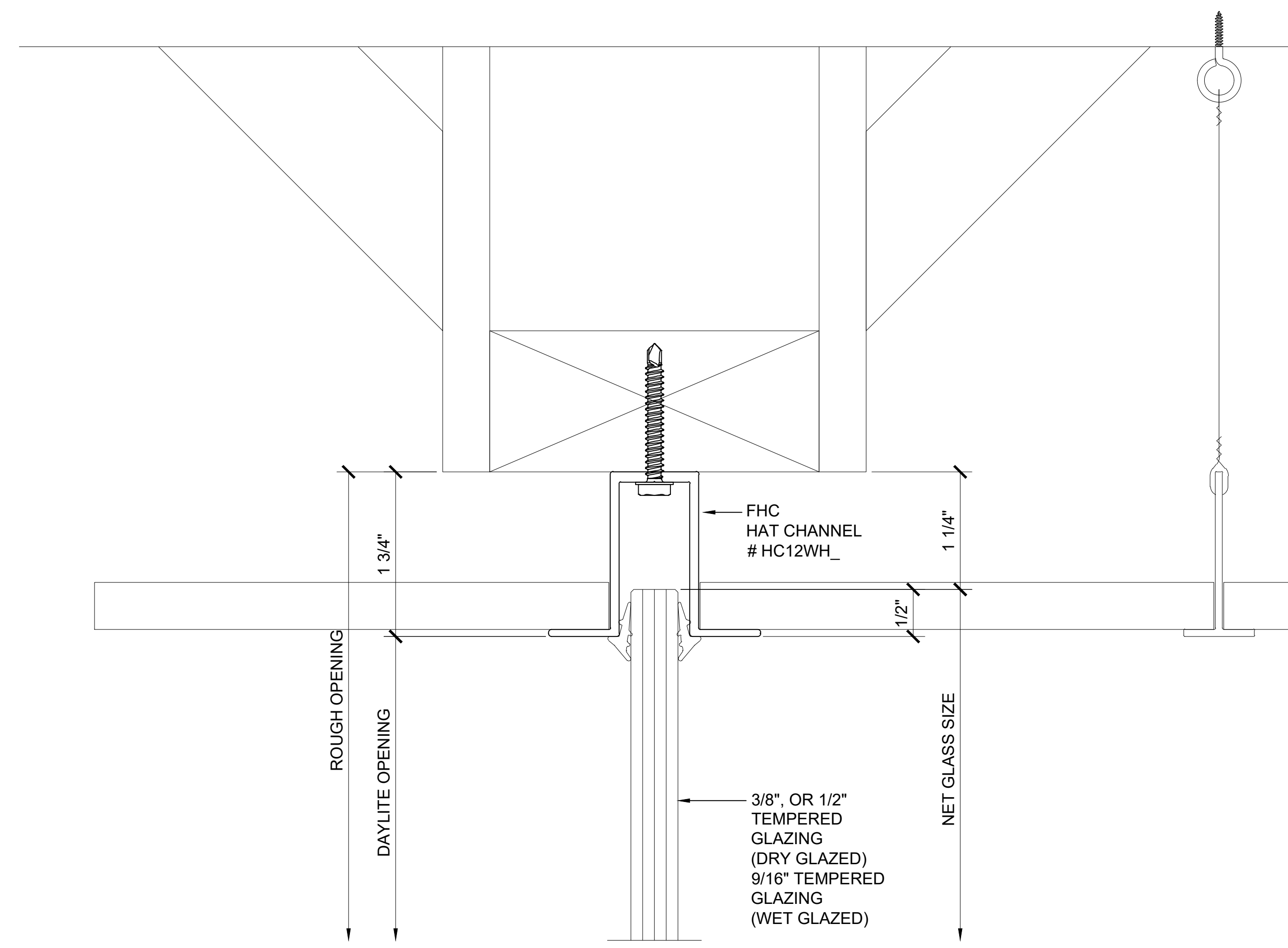
9 HEAD DETAIL

ARCH REF: 1'-0"=1'-0"



9A HEAD DETAIL

ARCH REF: 1'-0"=1'-0"



10 HEAD DETAIL

ARCH REF: 1'-0"=1'-0"

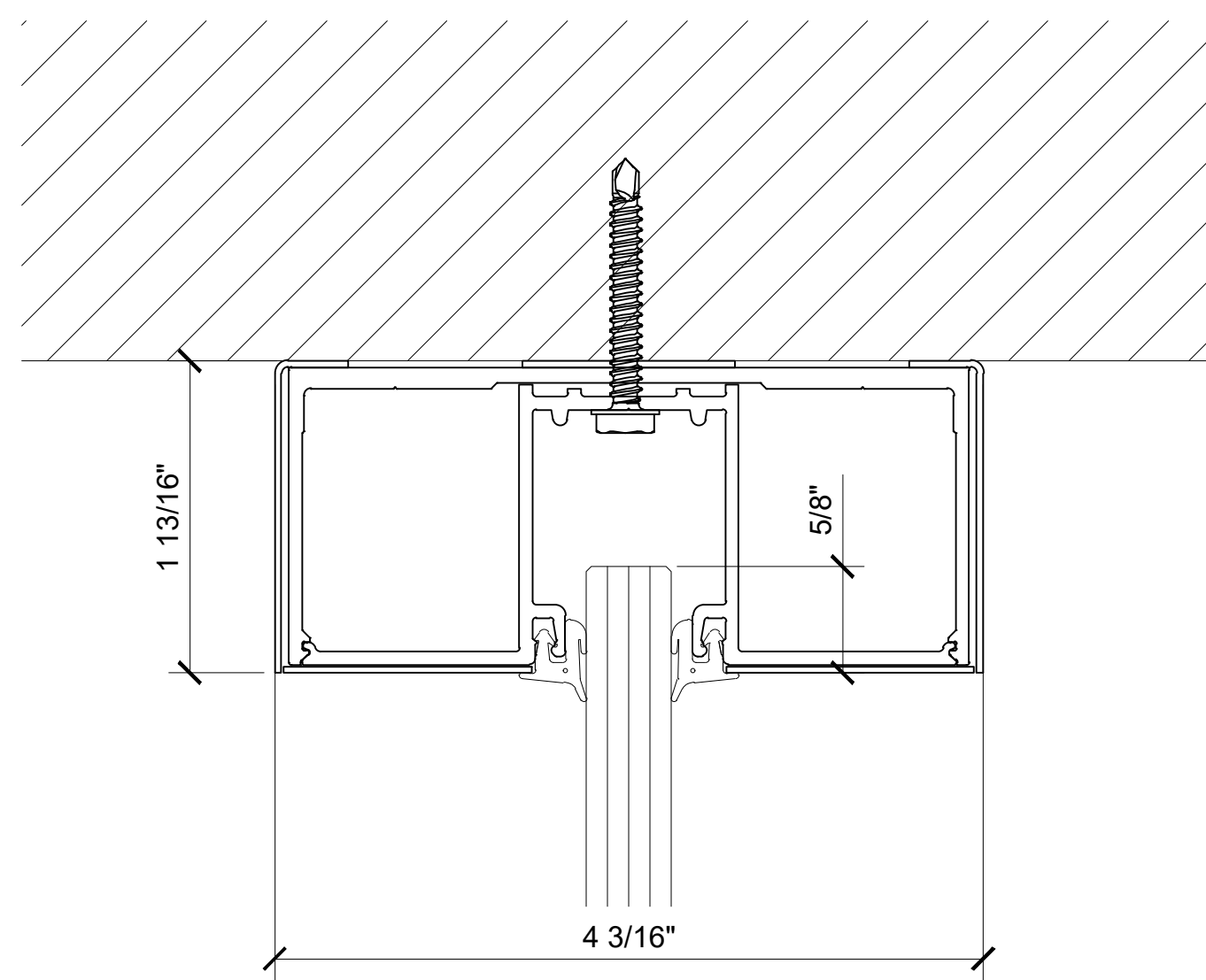
Architect: _____
 Job Name: _____
 Customer: _____
 Phone: _____
 Fax: _____
 Contact: _____

Architect: _____
 Job Name: _____
 Customer: _____
 Phone: _____
 Fax: _____
 Contact: _____

Architect: _____
 Job Name: _____
 Customer: _____
 Phone: _____
 Fax: _____
 Contact: _____

REV#	DATE	DRAWN BY
0	01/15/2022	JS
1		
2		
3		
4		
5		
6		

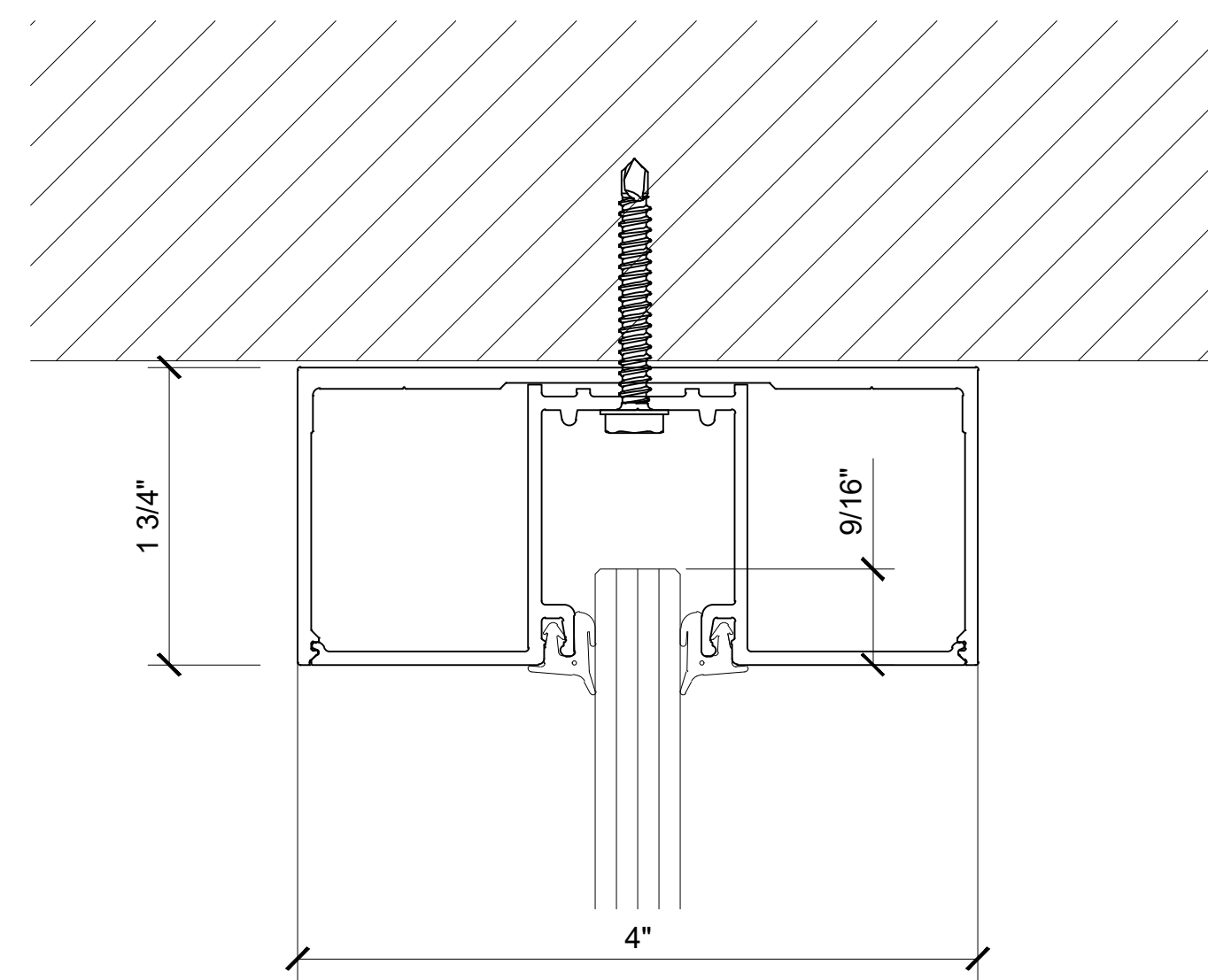
Drawn By: JS
 Checked By: JS
 Date: 00/00/0000
 Scale: AS NOTED
 Project #: 000000



**1 3/4" X 4" CLAD HEADER
WITH GLASS POCKET**
FHC ITEM# PH4_

11 HEAD DETAIL

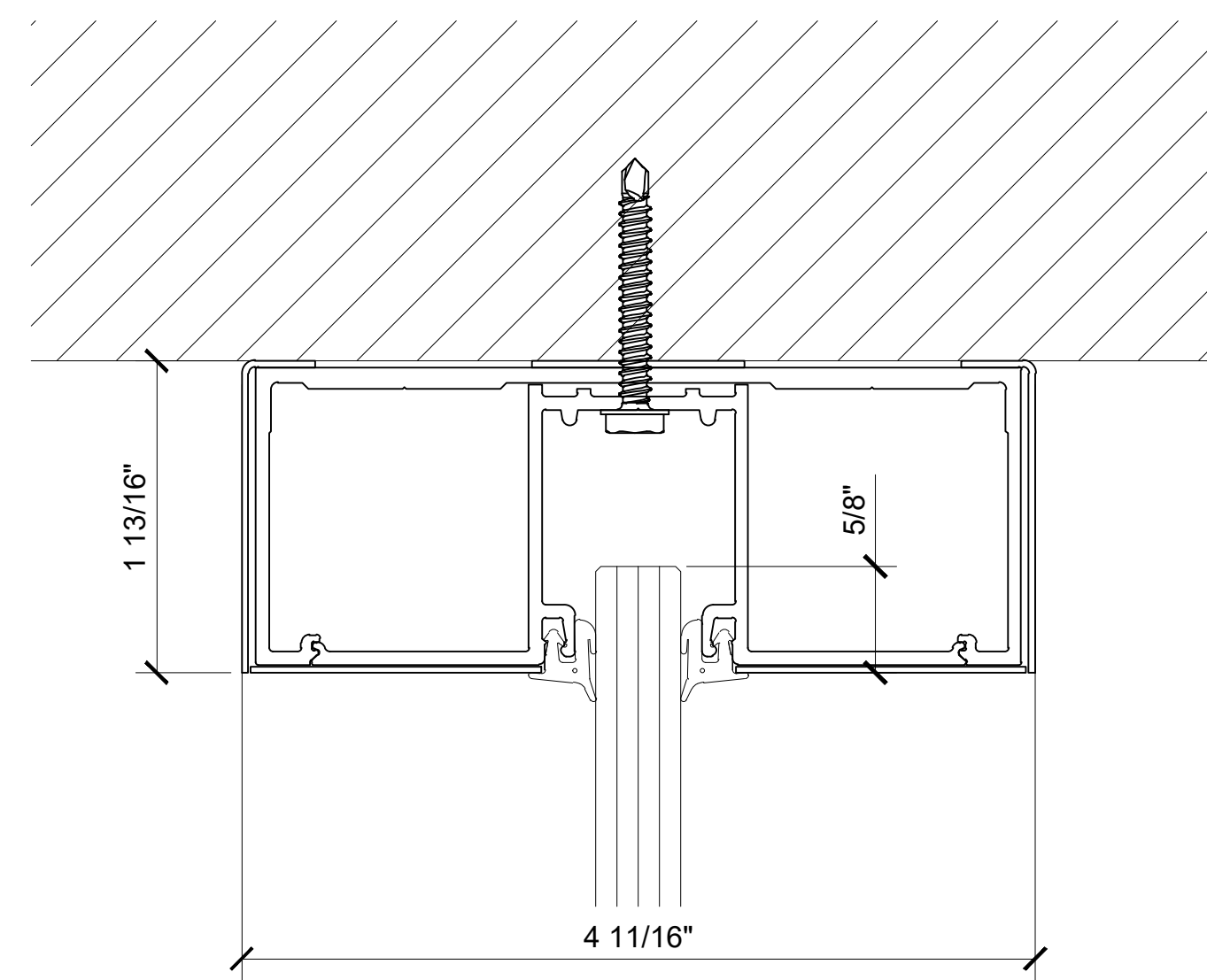
ARCH REF: 1'-0"=1'-0"



**1 3/4" X 4" NON CLAD HEADER
WITH GLASS POCKET**
FHC ITEM# PH4

12 HEAD DETAIL

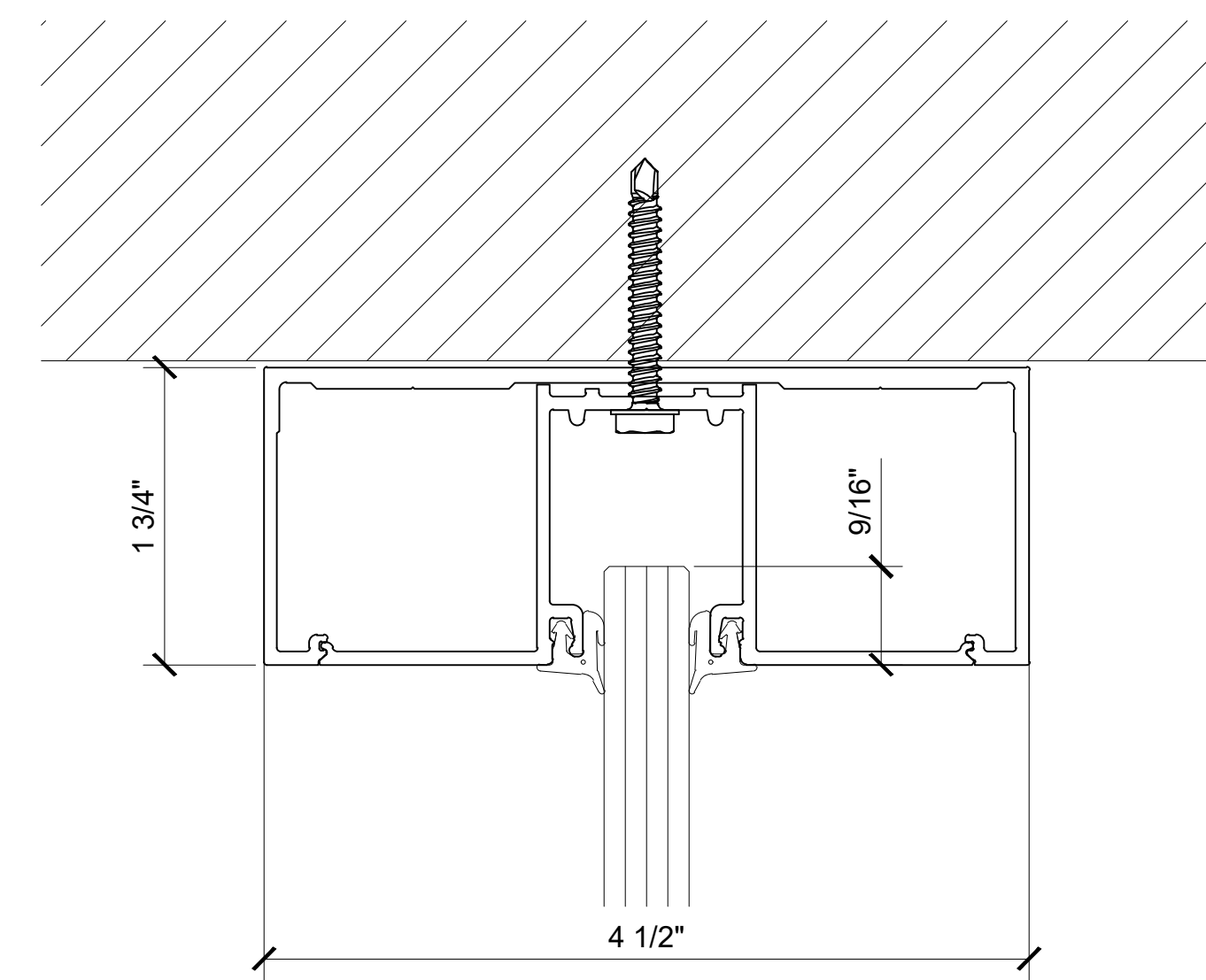
ARCH REF: 1'-0"=1'-0"



**1 3/4" X 4 1/2" CLAD HEADER
WITH GLASS POCKET**
FHC ITEM# PH45_

13 HEAD DETAIL

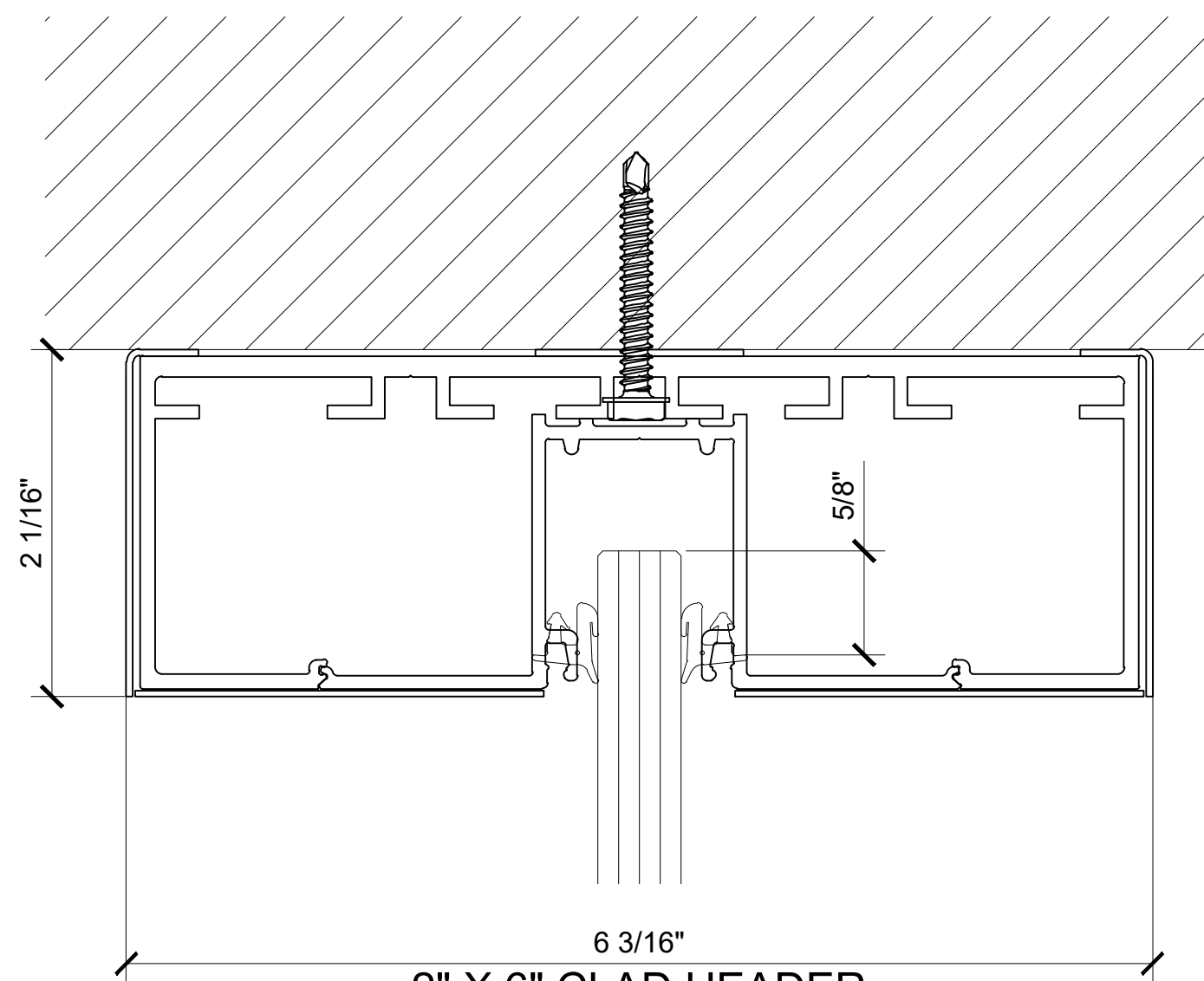
ARCH REF: 1'-0"=1'-0"



**1 3/4" X 4 1/2" NON CLAD HEADER
WITH GLASS POCKET**
FHC ITEM# PH45

14 HEAD DETAIL

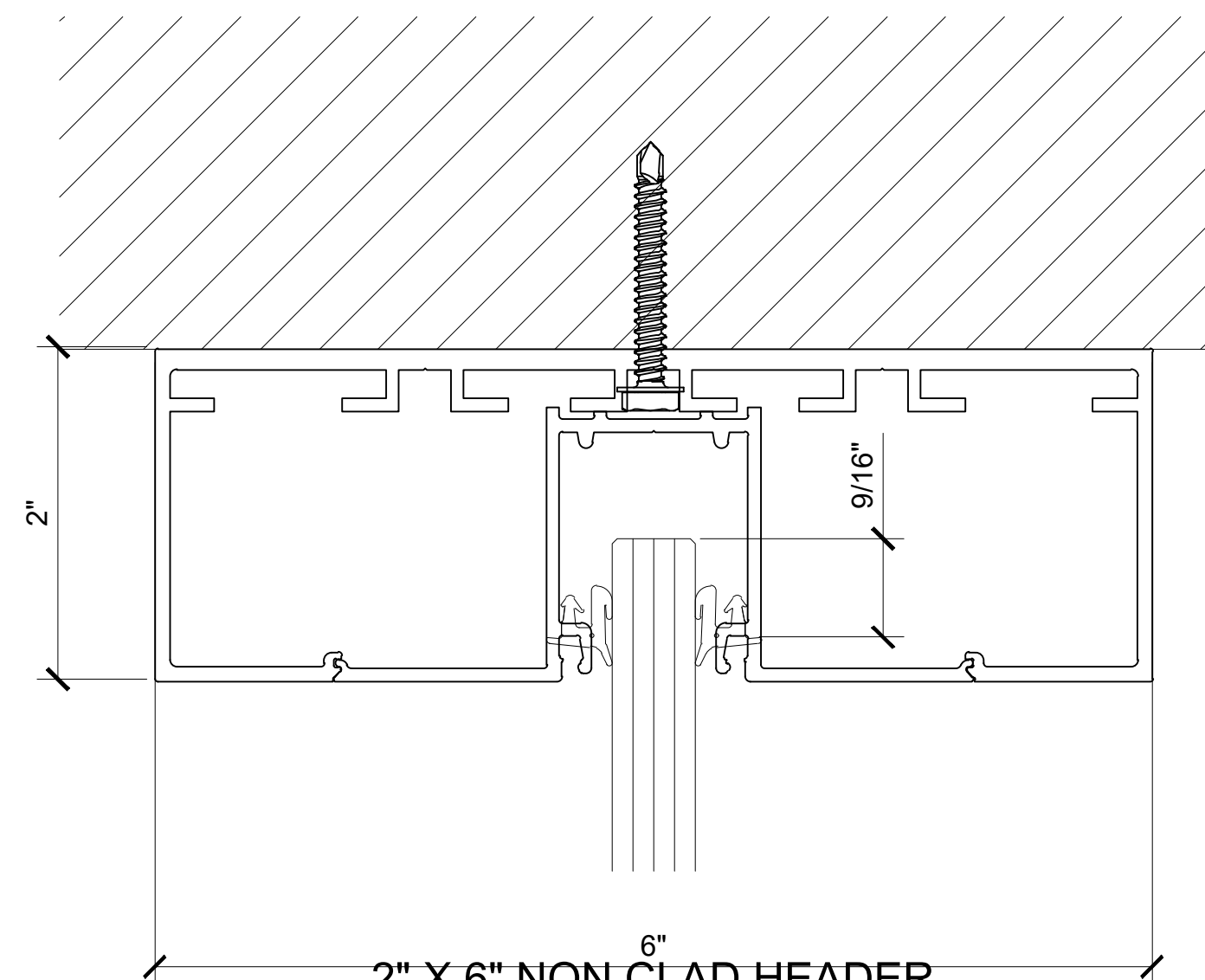
ARCH REF: 1'-0"=1'-0"



**2" X 6" CLAD HEADER
WITH GLASS POCKET**
FHC ITEM# PH6_

15 HEAD DETAIL

ARCH REF: 1'-0"=1'-0"



**2" X 6" NON CLAD HEADER
WITH GLASS POCKET**
FHC ITEM# PH6_

16 HEAD DETAIL

ARCH REF: 1'-0"=1'-0"

Architect: _____
Job Name: _____
Phone: _____
Fax: _____
Contact: _____

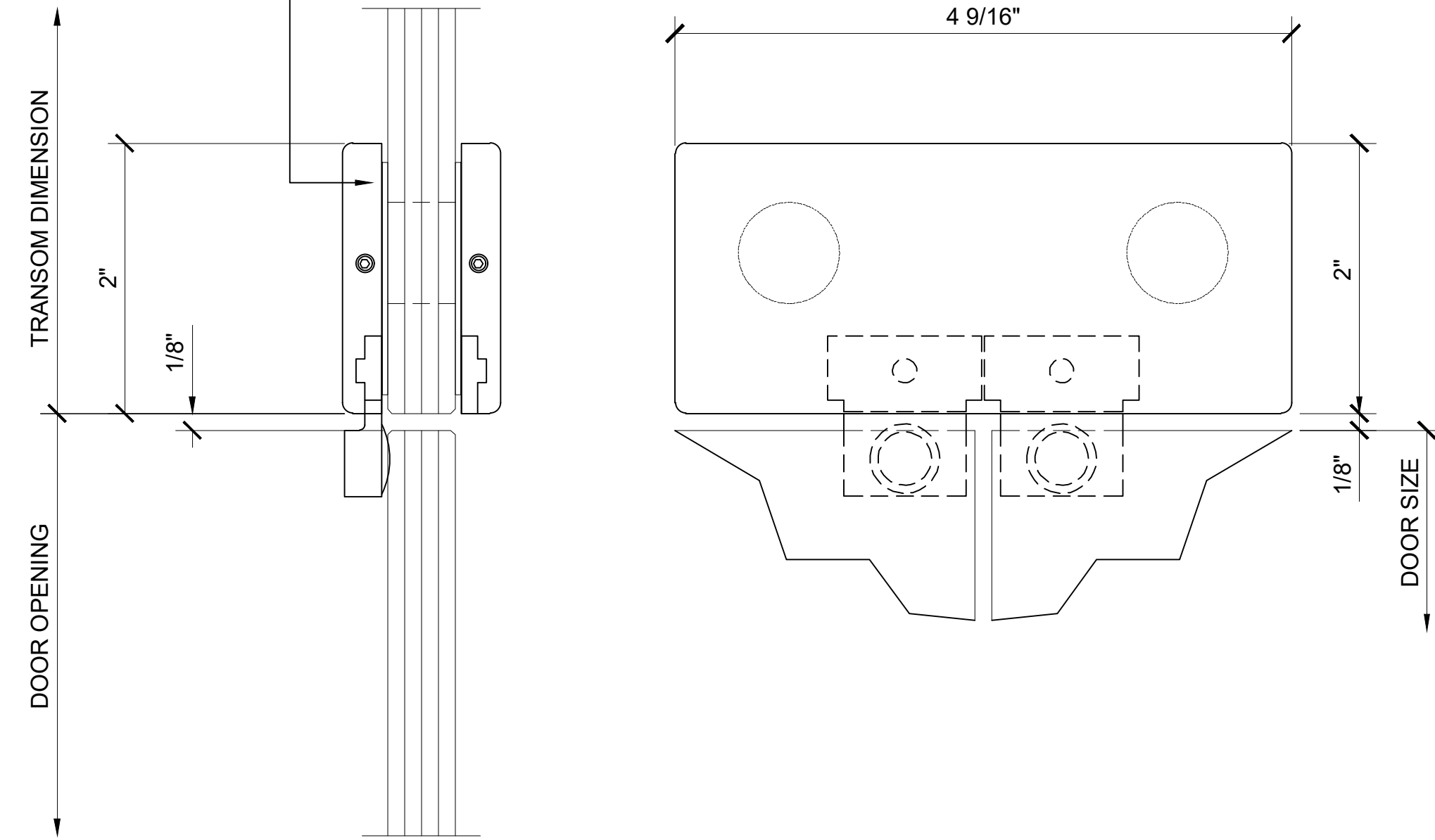
Customer: _____
Phone: _____
Fax: _____
Contact: _____

REV#	DATE	DRAWN BY
0	01/15/2022	JS
1		
2		
3		
4		
5		
6		

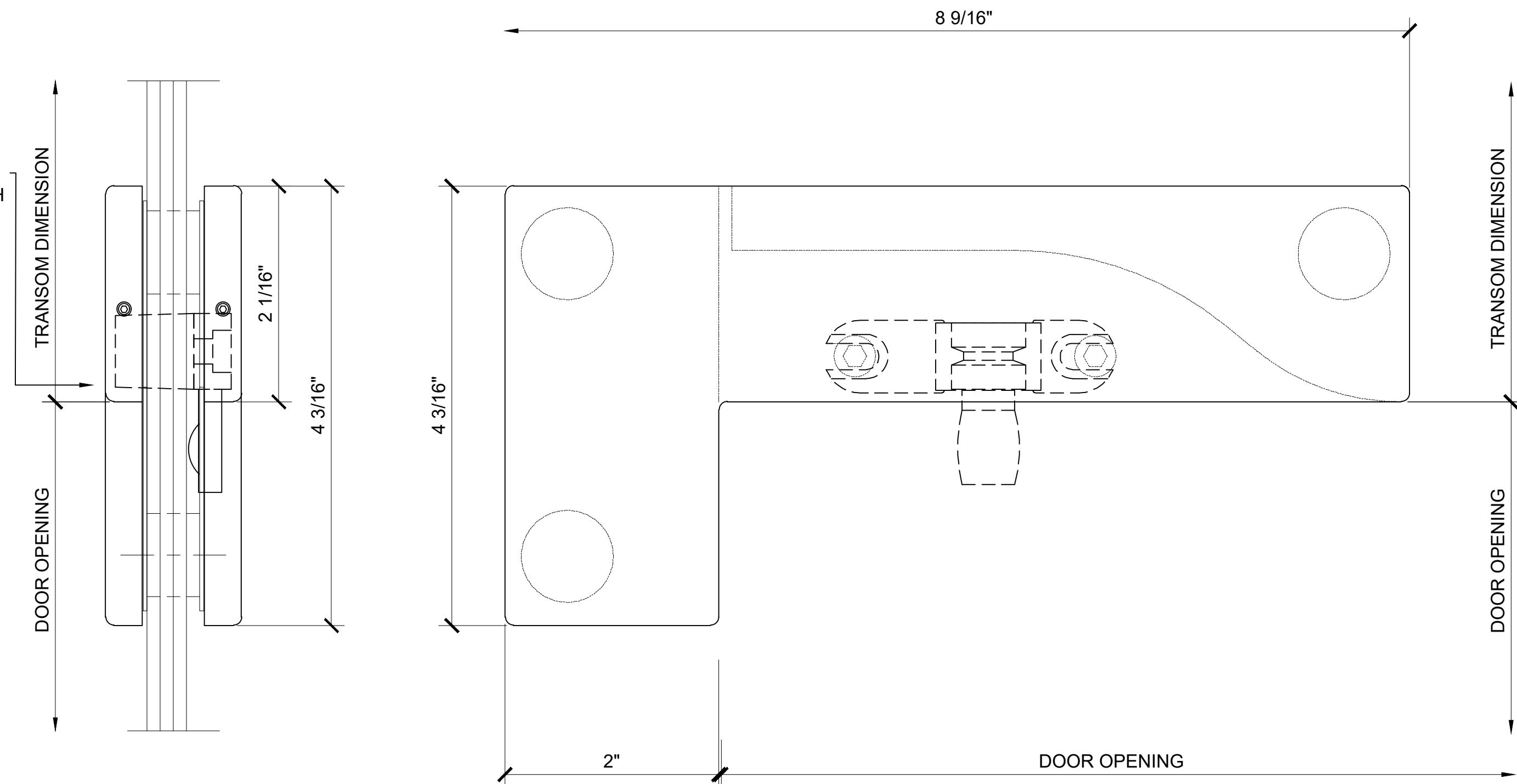
Drawn By: JS
Checked By: JS
Date: 00/00/0000
Scale: AS NOTED
Project #: 000000

Sheet No.

FHC PF70 TRANSOM MOUNTED
PATCH FITTING WITH REVERSIBLE
DOOR STOPS



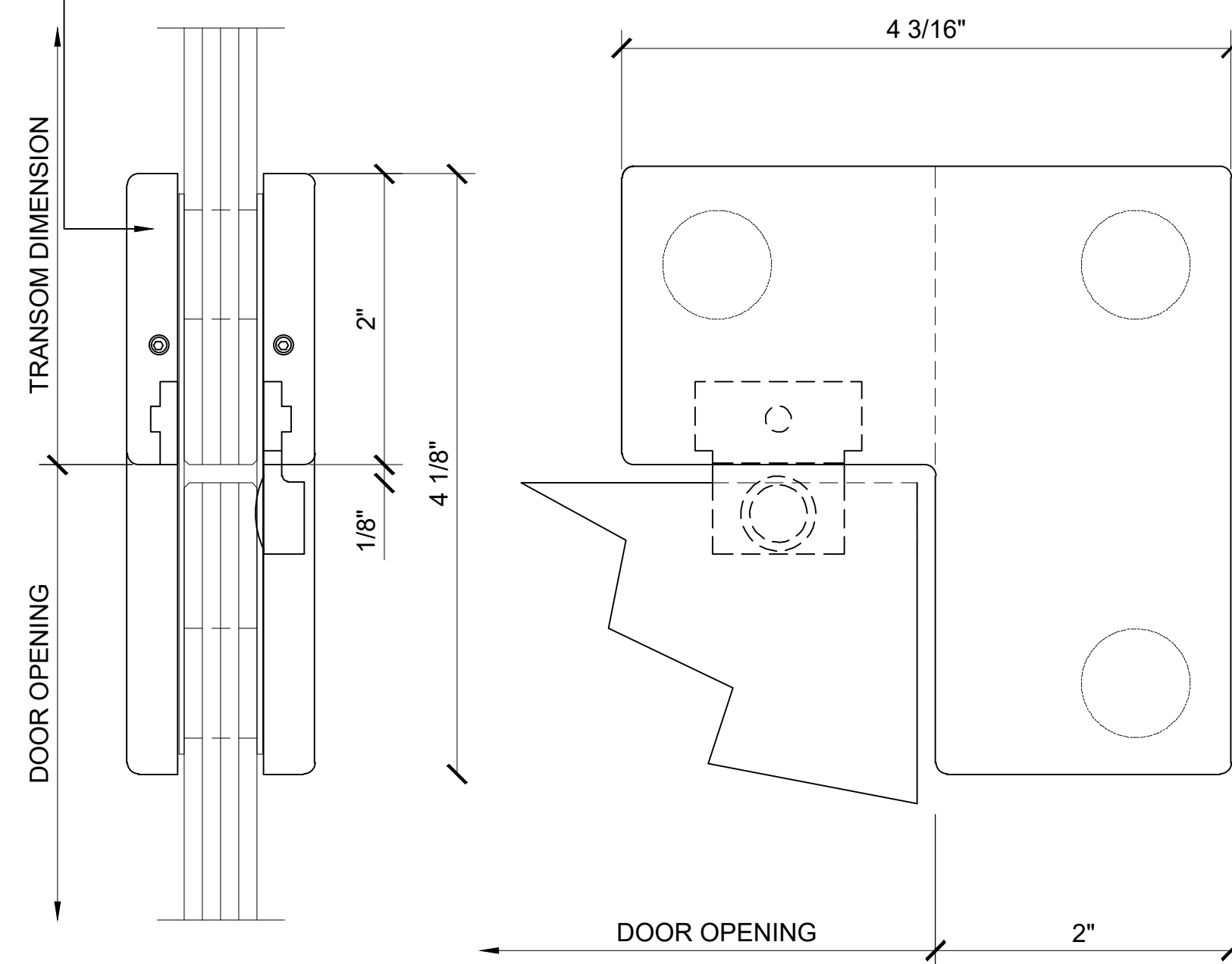
FHC PF40 SIDELITE
TRANSOM PATCH WITH
PF300 INSERT



① TRANSOM MOUNT
DOOR STOP

ARCH REF: 1'-0"=1'-0"

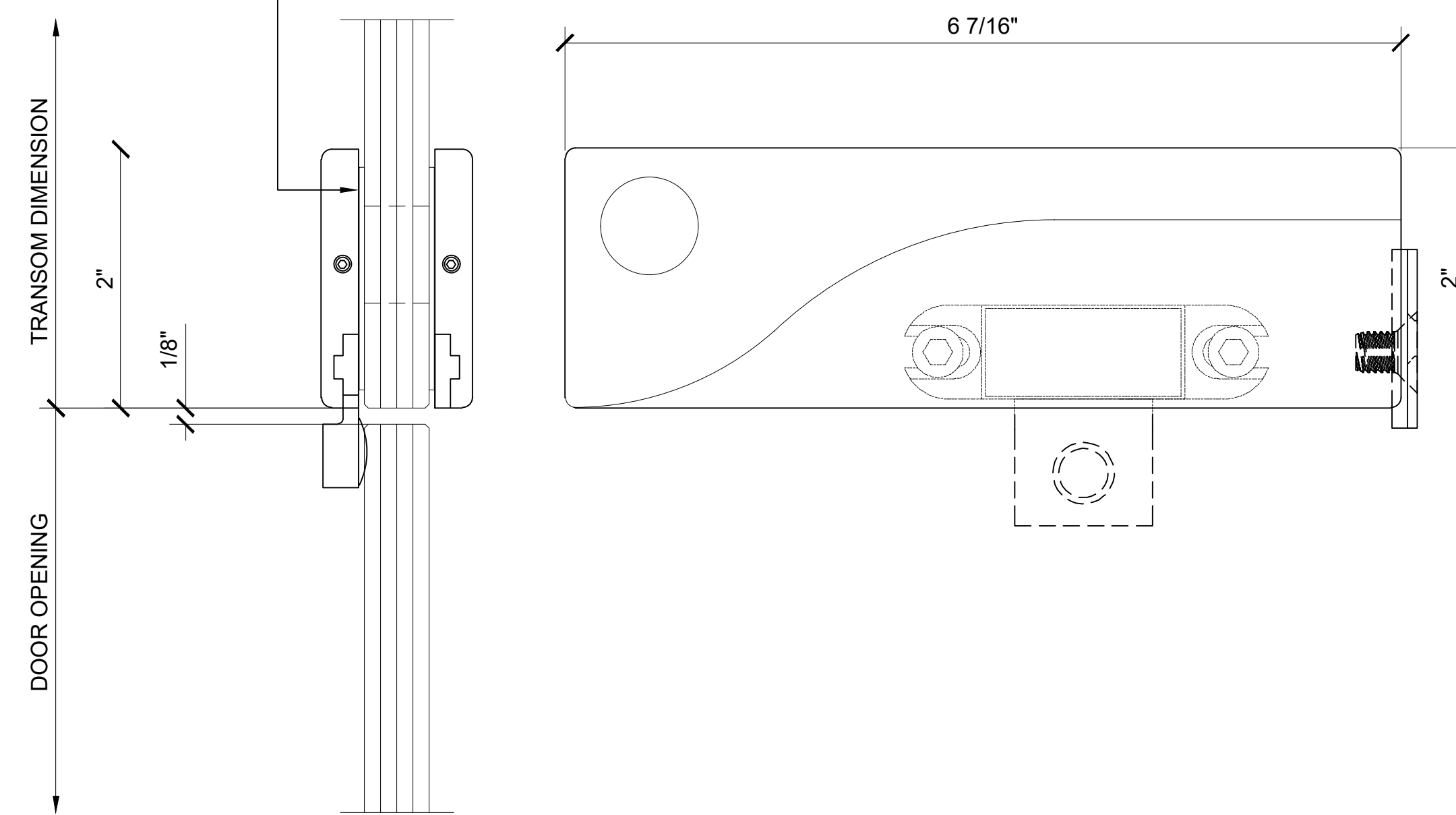
FHC PF60 TRANSOM MOUNTED
PATCH FITTING WITH DOOR STOP



③ TRANSOM MOUNT
DOOR STOP

ARCH REF: 1'-0"=1'-0"

FHC PF34 TRANSOM MOUNTED
PATCH FITTING WITH PF306
DOOR STOP



② TRANSOM MOUNT
PIVOT

ARCH REF: 1'-0"=1'-0"

④ TRANSOM MOUNT
DOOR STOP

ARCH REF: 1'-0"=1'-0"

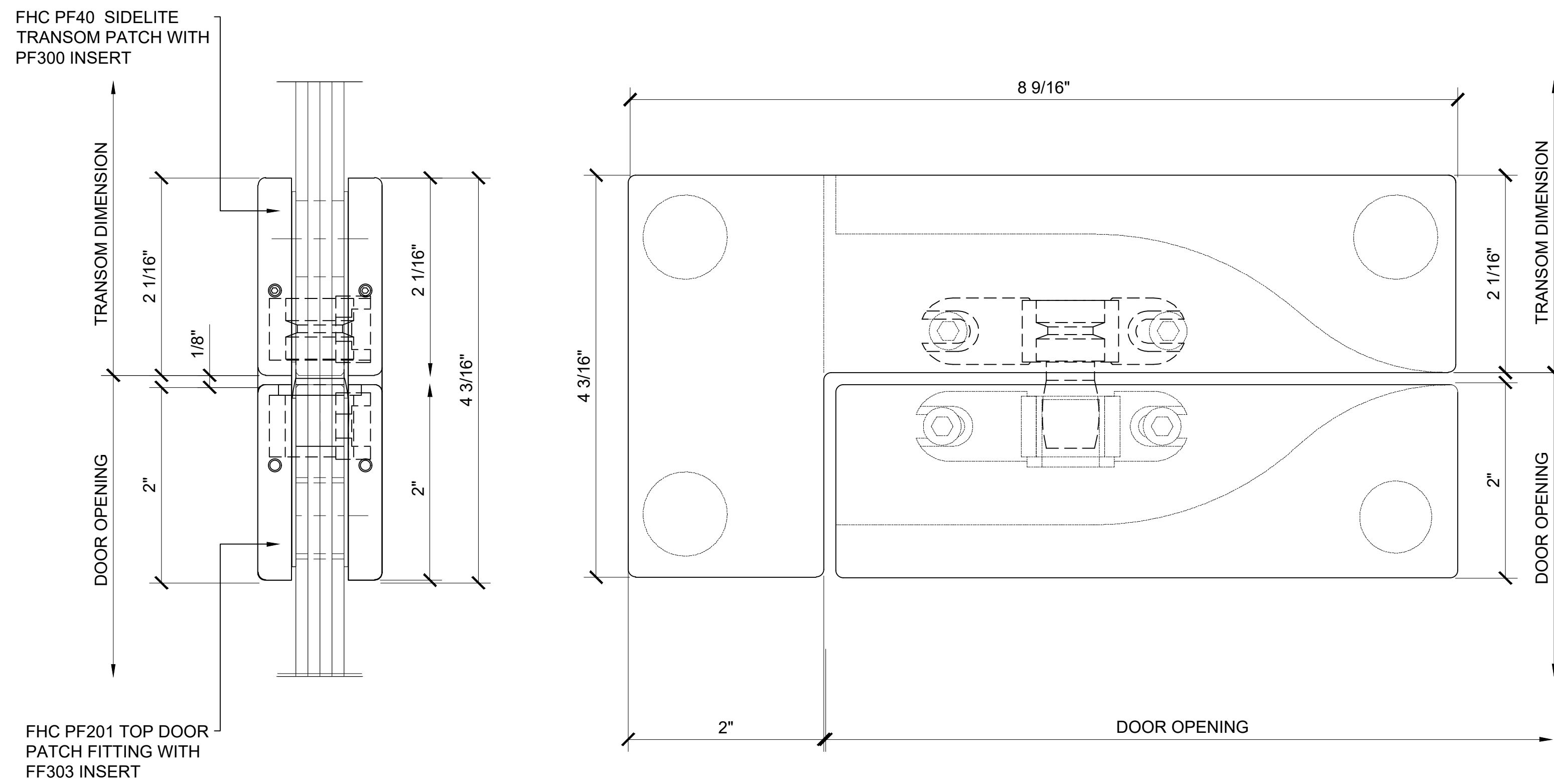
Architect: _____
Job Name: _____
Customer: _____
Phone: _____
Fax: _____
Contact: _____

Architect: _____
Job Name: _____
Customer: _____
Phone: _____
Fax: _____
Contact: _____

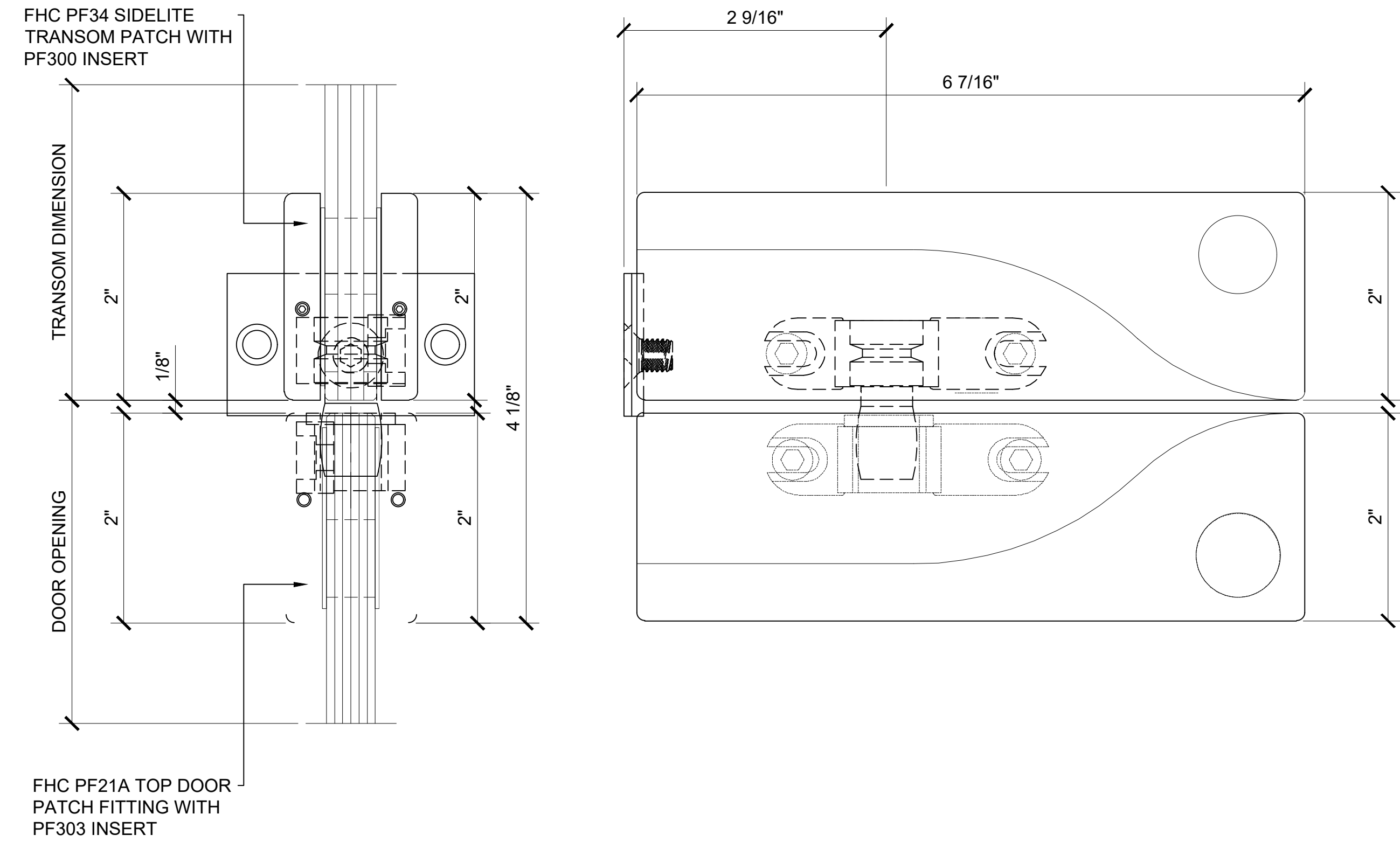
Architect: _____
Job Name: _____
Customer: _____
Phone: _____
Fax: _____
Contact: _____

REV#	DATE	DRAWN BY
0	01/15/2022	JS
1		
2		
3		
4		
5		
6		

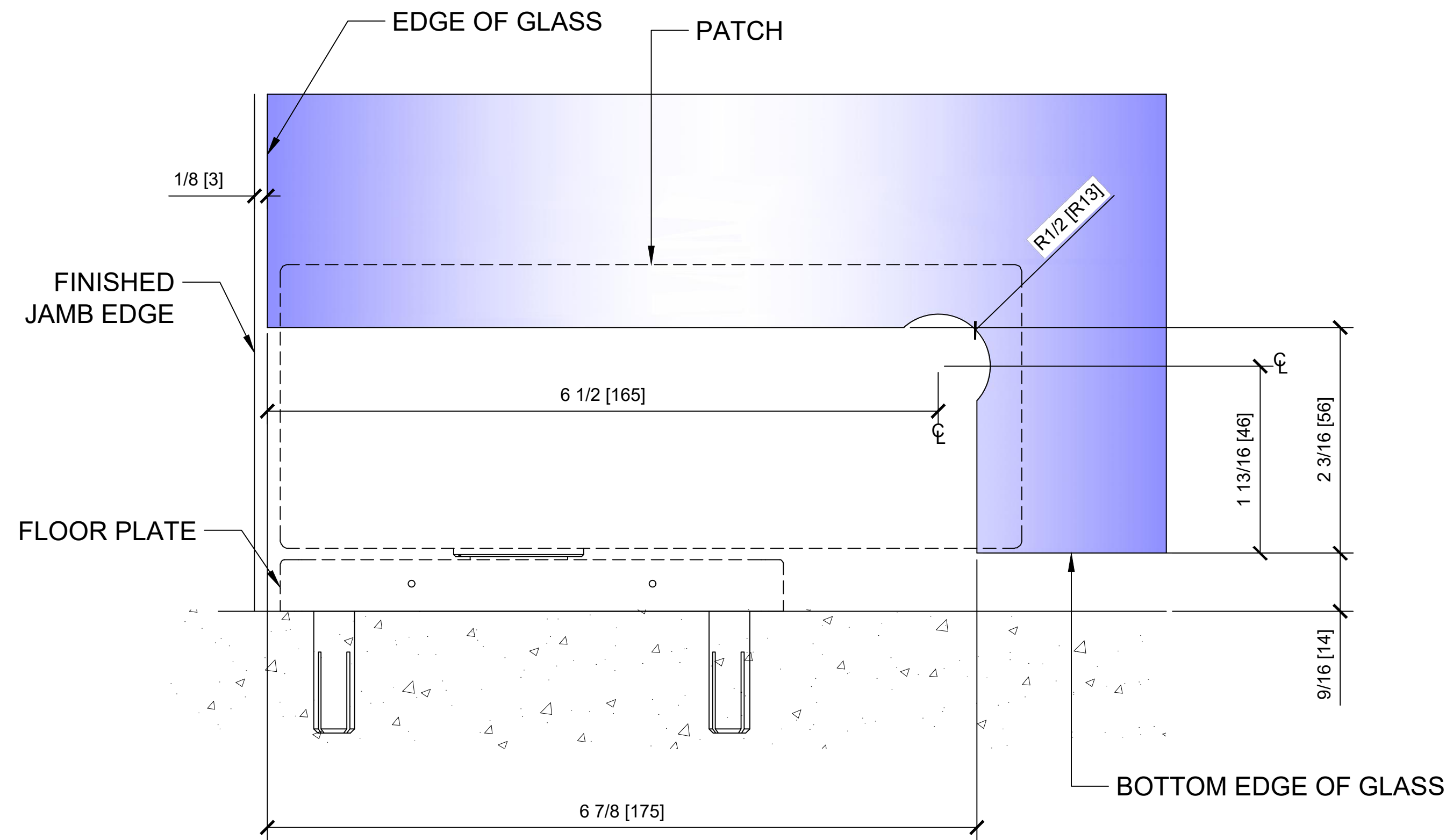
Drawn By: JS
Checked By: JS
Date: 00/00/0000
Scale: AS NOTED
Project #: 000000



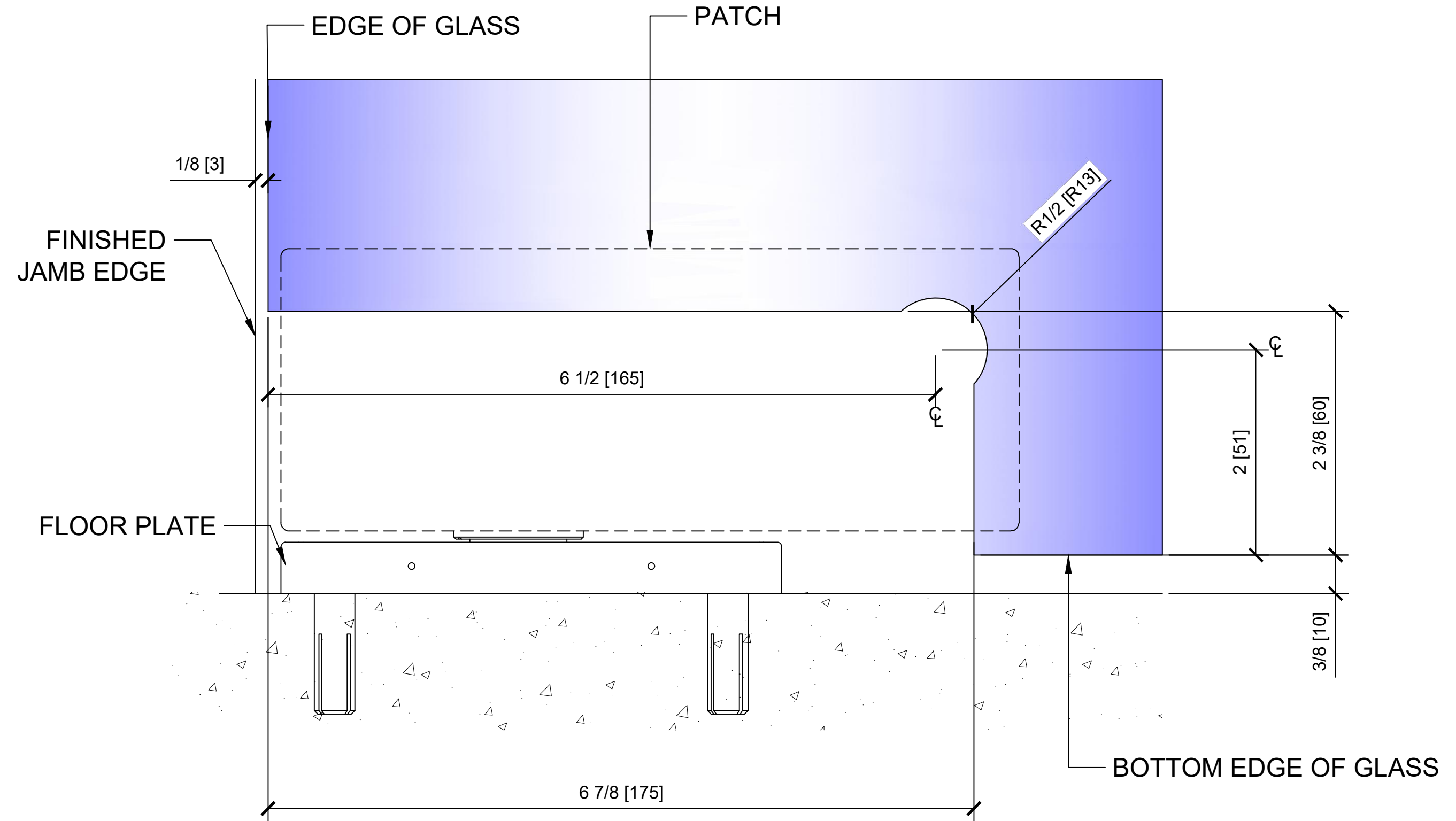
① TRANSOM SIDELITE PATCH FITTING
 ARCH REF: 1'-0"=1'-0"



② TRANSOM WALL MOUNT EUROPEAN PATCH FITTING
 ARCH REF: 1'-0"=1'-0"



③ GLASS CUT-OUT @ 9/16" CLEARANCE
 ARCH REF: 1'-0"=1'-0"



④ GLASS CUT-OUT @ 3/8" CLEARANCE
 ARCH REF: 1'-0"=1'-0"

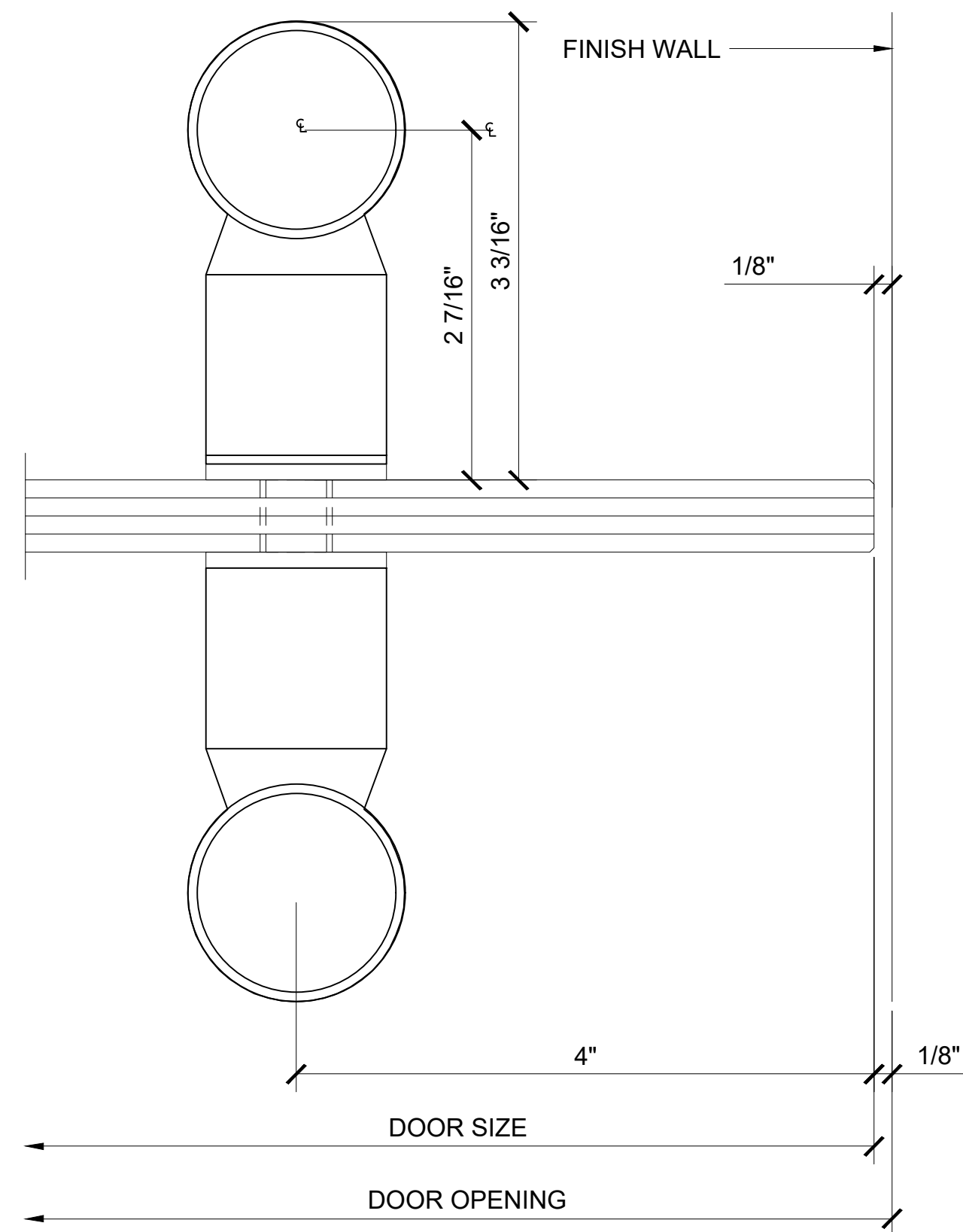
Architect: _____
 Phone: _____
 Fax: _____
 Contact: _____

Job Name: _____
 Phone: _____
 Fax: _____
 Contact: _____

Customer: _____
 Phone: _____
 Fax: _____
 Contact: _____

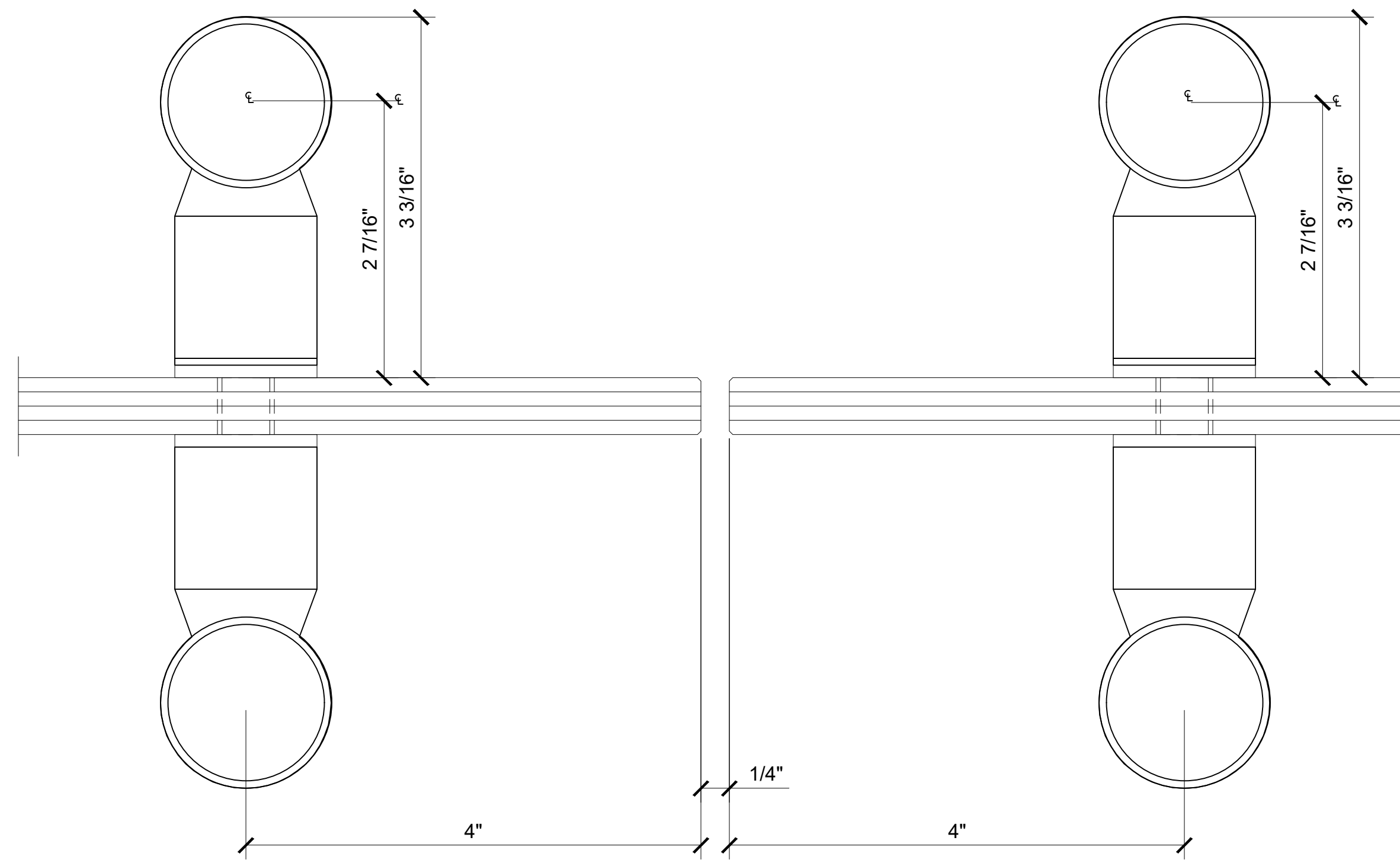
REV#	DATE	DRAWN BY
0	01/15/2022	JS
1		
2		
3		
4		
5		
6		

Drawn By: JS
 Checked By: JS
 Date: 00/00/0000
 Scale: AS NOTED
 Project #: 000000



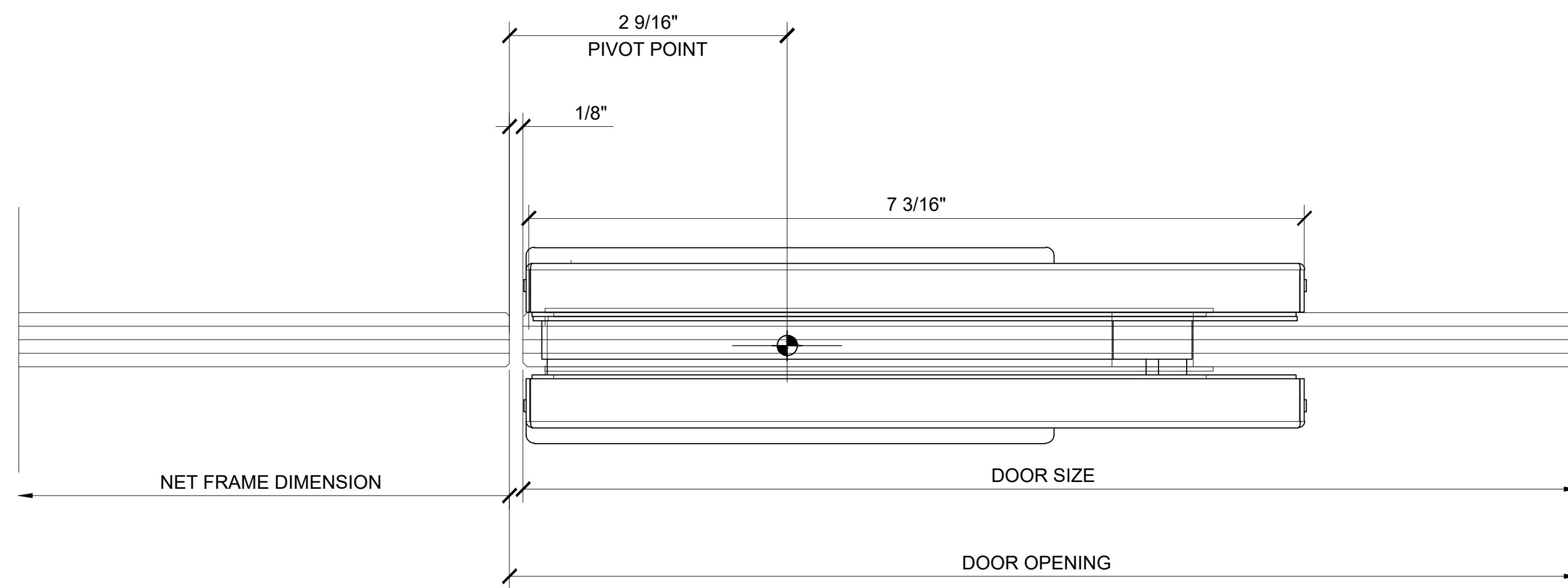
① JAMB DETAIL

ARCH REF: 1'-0"=1'-0"



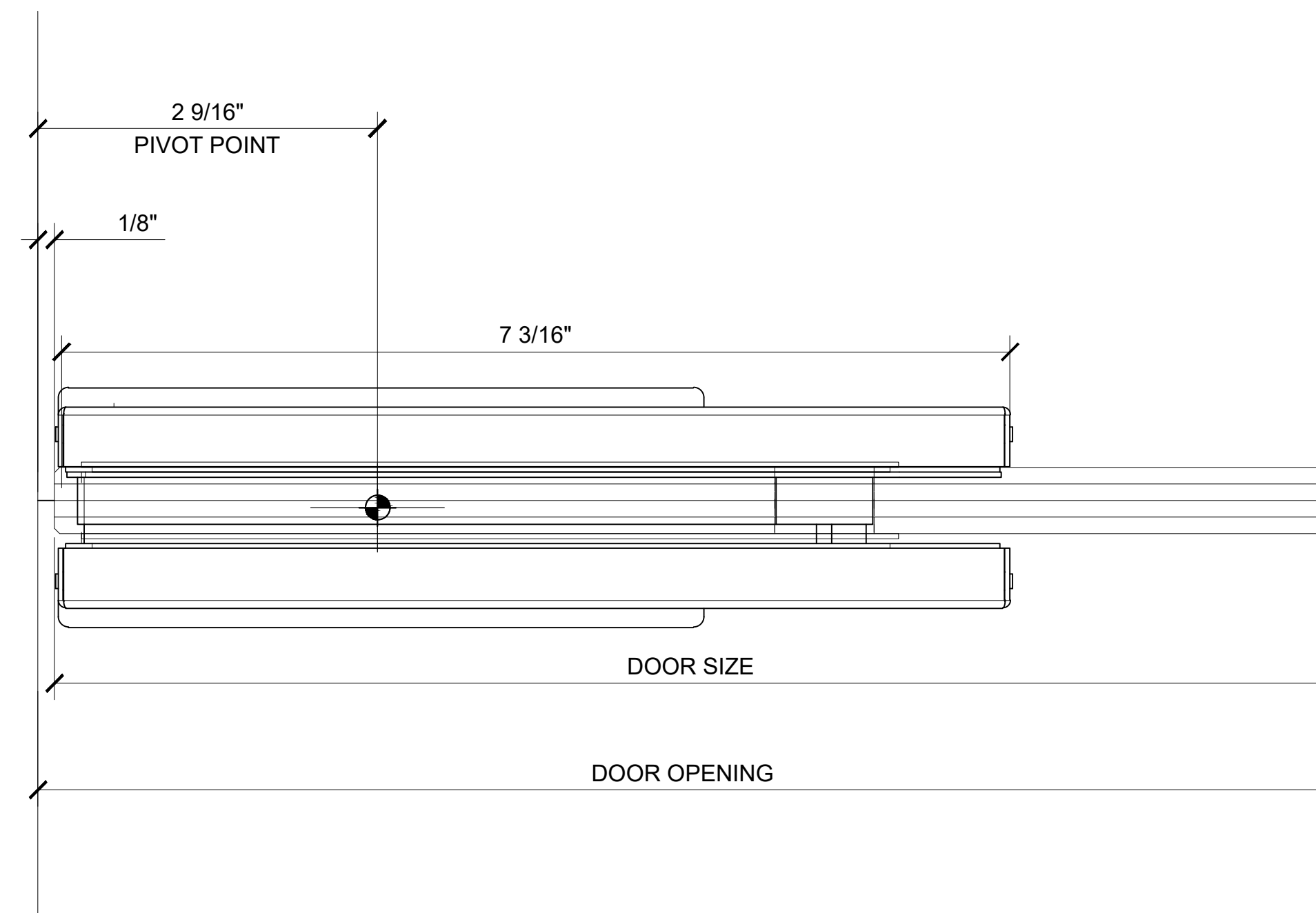
② MEETING DETAIL

ARCH REF: 1'-0"=1'-0"



④ SIDELITE @ HYDRAULIC PATCH FITTING

ARCH REF: 1'-0"=1'-0"



⑤ HYDRAULIC PATCH FITTING

ARCH REF: 1'-0"=1'-0"

Architect:

Phone:
Fax:
Contact:

Job Name:

Phone:
Fax:
Contact:

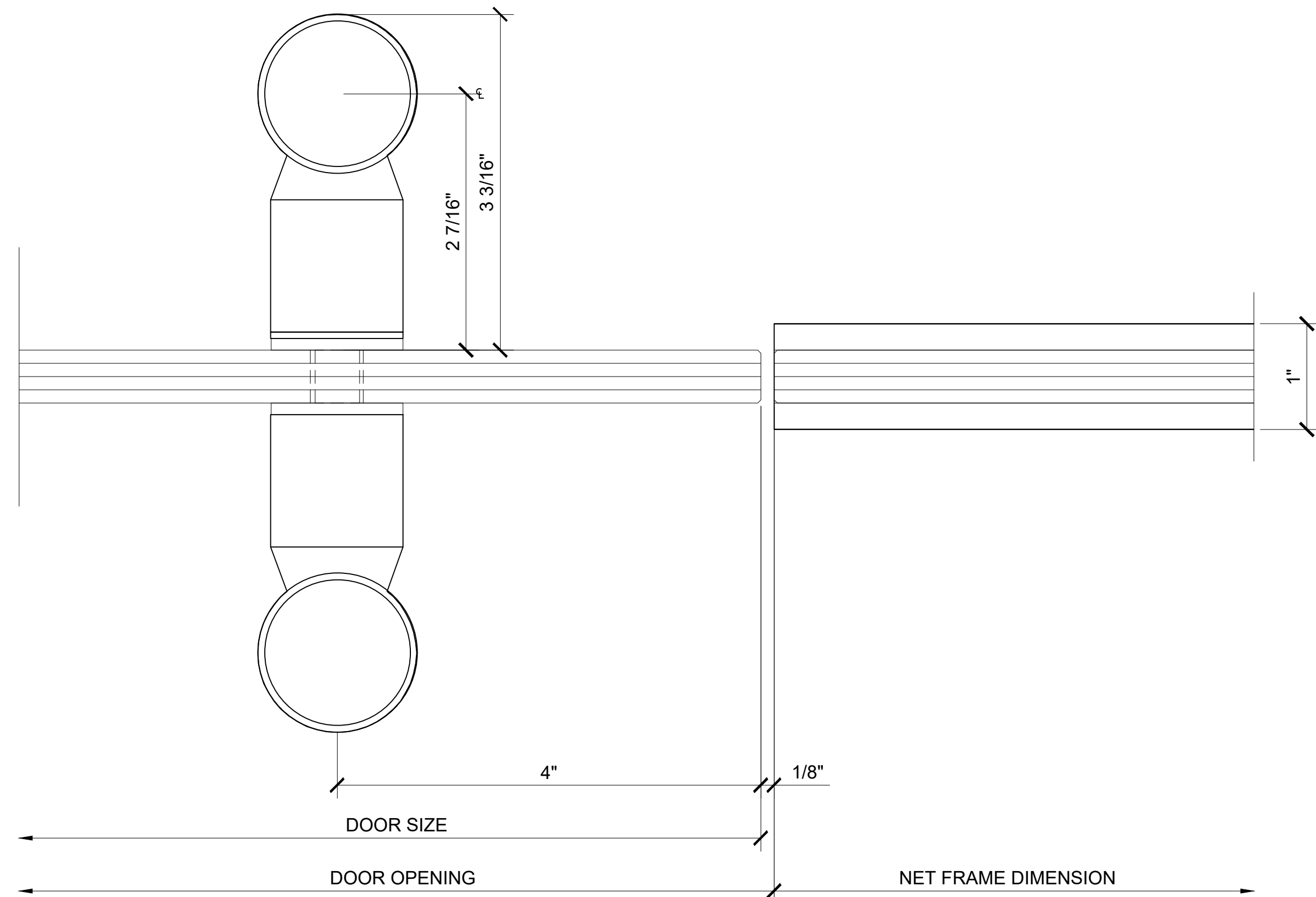
Customer:

Phone:
Fax:
Contact:

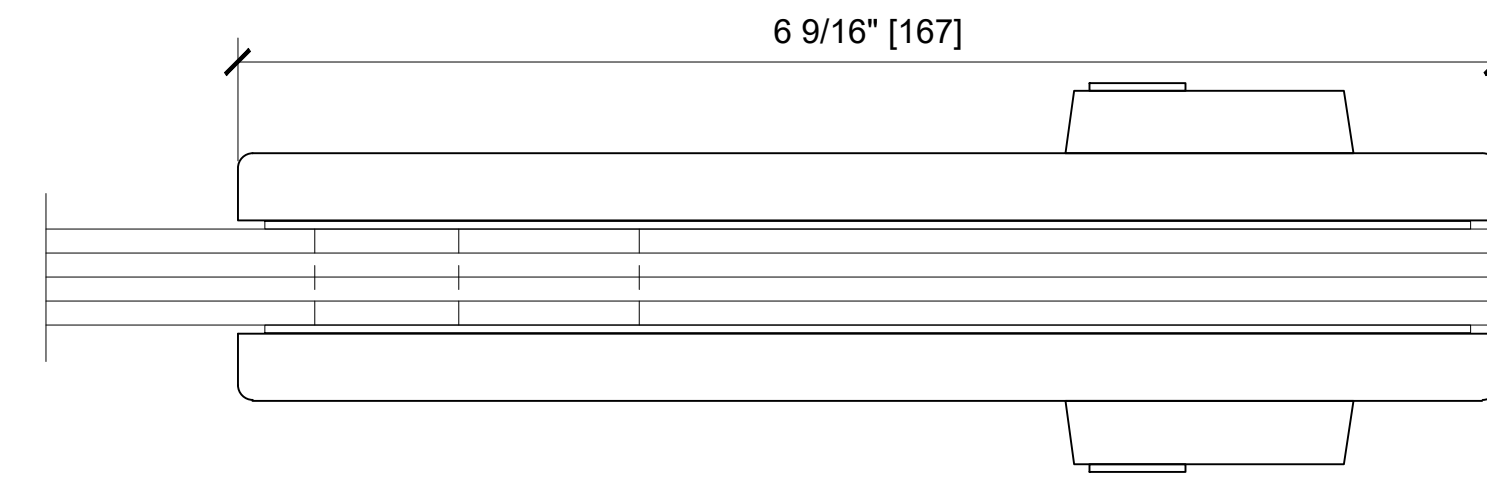
REV#	DATE	DRAWN BY
0	01/15/2022	JS
1		
2		
3		
4		
5		
6		

Drawn By: JS
 Checked By: JS
 Date: 00/00/0000
 Scale: AS NOTED
 Project #: 000000

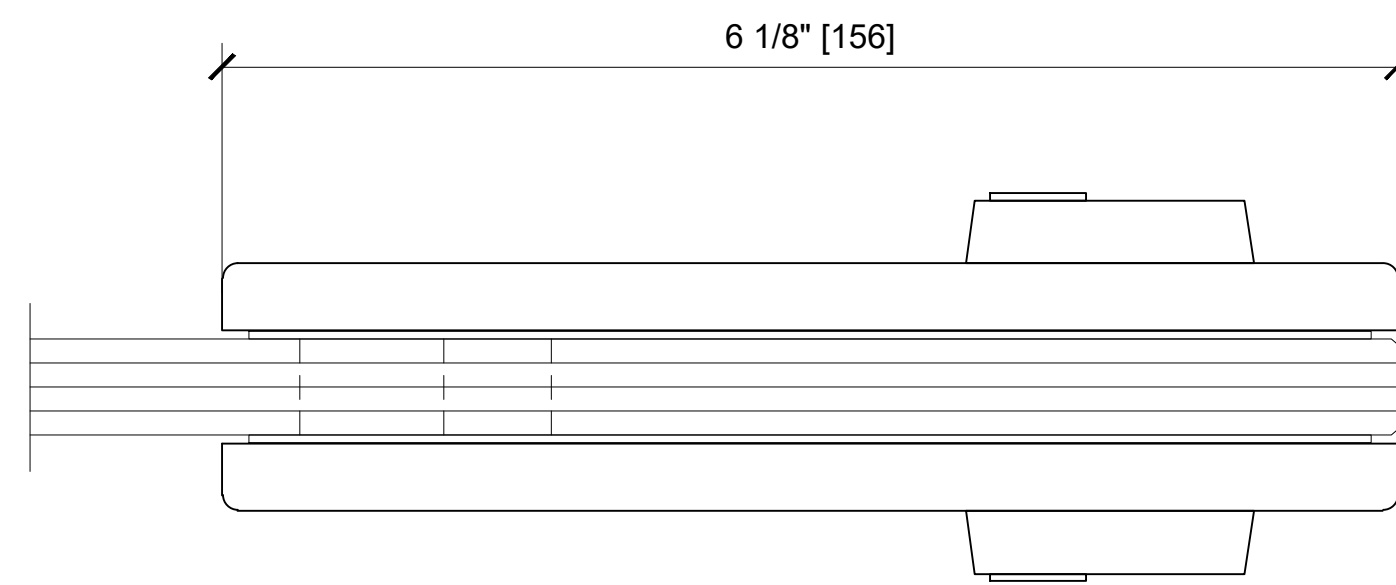
Sheet No.



① DOOR STRIKE @ SIDELITE
 ARCH REF: 1'-0"=1'-0"



② STANDARD PF205 CORNER PATCH LOCK
 ARCH REF: 1'-0"=1'-0"



**③ PR215 5/8\"/>
 ARCH REF: 1'-0"=1'-0"**

Architect: _____
 Job Name: _____
 Customer: _____
 Phone: _____
 Fax: _____
 Contact: _____

Job Name: _____
 Customer: _____
 Phone: _____
 Fax: _____
 Contact: _____

Customer: _____
 Phone: _____
 Fax: _____
 Contact: _____

REV#	DATE	DRAWN BY
0	01/15/2022	JS
1		
2		
3		
4		
5		
6		

Drawn By: JS
 Checked By: JS
 Date: 00/00/0000
 Scale: AS NOTED
 Project #: 000000