

GLASS CLAMPS

Glendale Wall Bracket

Square Profile

ITEM NO. GLN90XXM

XX = Finish

SPECIFICATIONS

Glass Sizes: 3/8" to 1/2" (10 to 12 mm) Tempered Glass Only

Construction: Solid Brass

Cutout Required

Includes: Clamp body, glazing gaskets, mounting screws, and fabrication template.

Use: Residential Bath and Commercial Hotel Applications

GASKET SPECIFICATIONS:

For 3/8" (10mm) Glass: Use One Gasket On Each Side

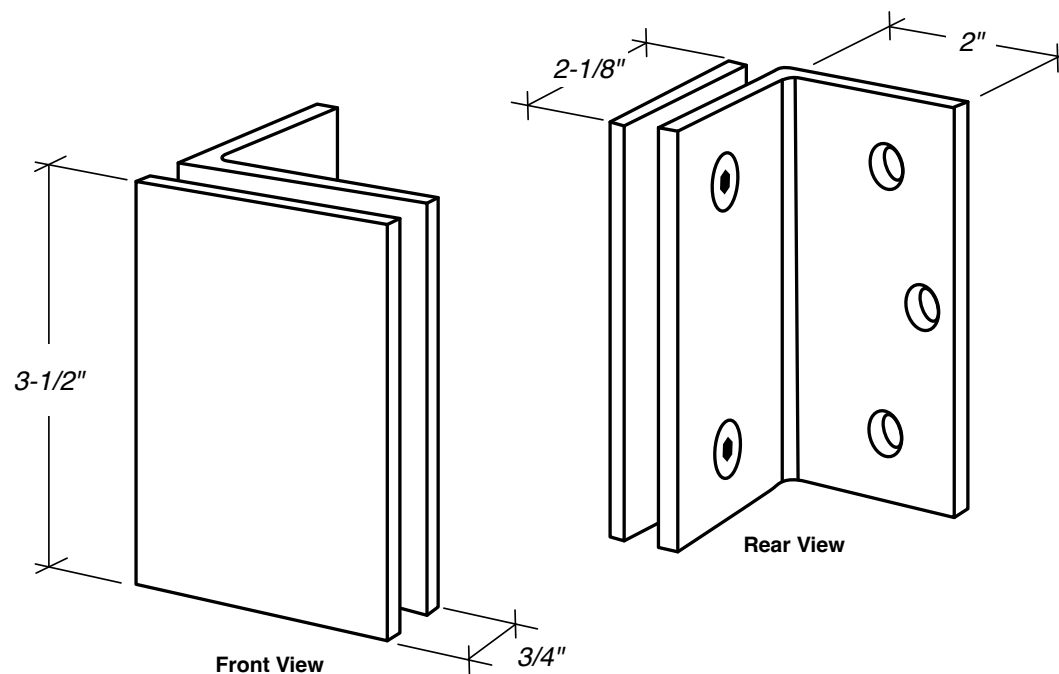
For 1/2" (12mm) Glass: Use One Gasket On Each Side

GLASS INSTRUCTIONS:

Only use tempered safety glass. To prevent damage to the clamp finish during installation, do not use power tools when installing these clamps.

CARE & CLEANING GUIDELINES:

For best results, keep the following recommendations in mind when caring for your FHC shower door hardware. Your shower door hardware should be dried daily with a soft towel or cloth to insure its original finish. Do not use harsh cleaners or chemicals on the hardware, as many of the components are coated with a clear lacquer that will become damaged beyond repair. Always test your cleaning solution in an inconspicuous area prior to cleaning the entire hardware surface. Wipe surfaces clean using a soft dampened cloth or sponge and rinse completely with warm water immediately after applying the cleaning solution. Use only small amounts of liquid, gentle cleaner. Never use abrasive products, sponges, or wire scrub brushes while cleaning hardware.



GLASS CLAMPS

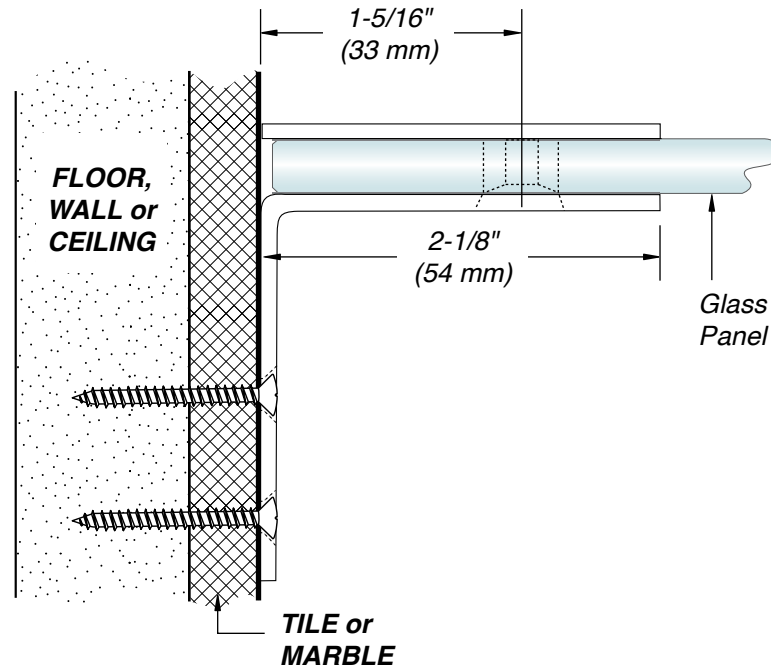
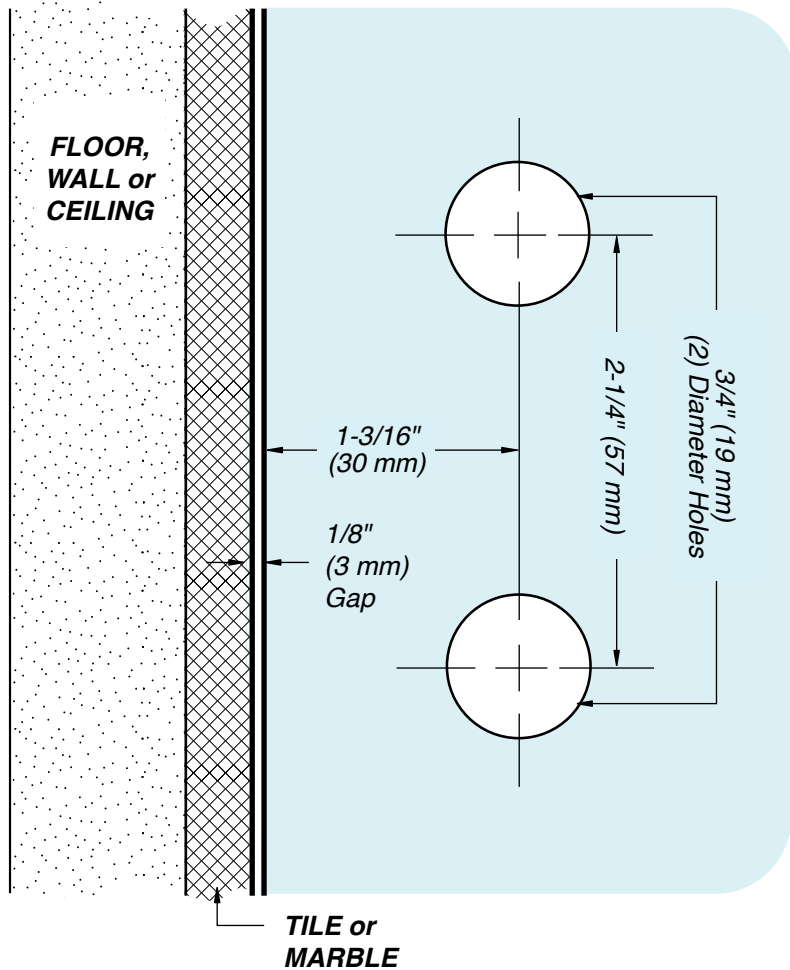
Glendale Wall Bracket
 Square Profile
 ITEM NO. GLN90XXM



DO NOT MEASURE / SCALE DRAWING
 USE DIMENSIONS SHOWN

XX = Finish

TYPICAL INSTALLATION




 USE ONLY
 MONOLITHIC
 TEMPERED GLASS



For Technical Support
 Call Toll Free in the U.S.
 (888) 295-4531



IMPORTANT:
 Measure from Finished
 Edge of Glass

