

GLASS CLAMPS

SPECIFICATIONS

Glass Sizes: 3/8" to 1/2" (10 to 12 mm) Tempered Glass Only

Construction: Solid Brass

Cutout Required: (1) 3/4" (19 mm) Hole

Includes: Clamp body, glazing gaskets, mounting screws, and fabrication template.

Use: Residential Bath and Commercial Hotel Applications

GASKET SPECIFICATIONS:

For 3/8" (10mm) Glass: Use Two Thin Gaskets On Each Side

For 1/2" (12mm) Glass: Use Two Thin Gaskets On Each Side

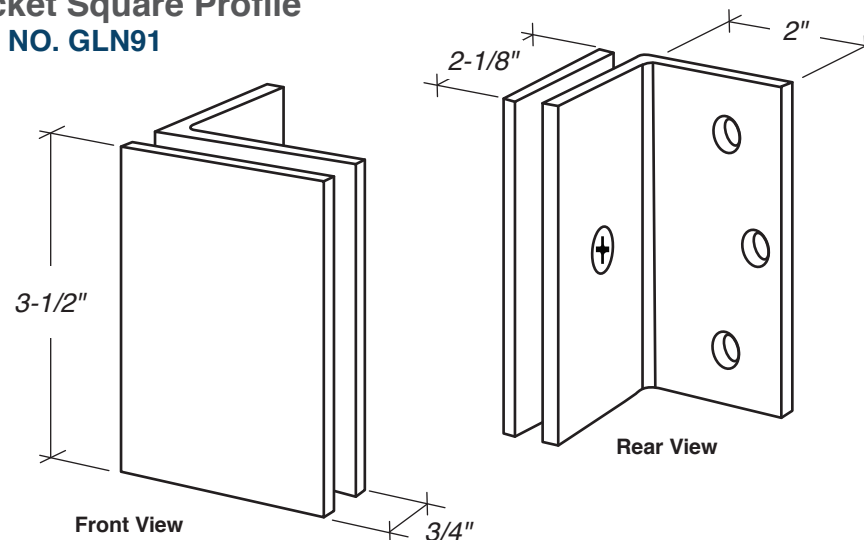
GLASS INSTRUCTIONS:

Only use tempered safety glass. To prevent damage to the clamp finish during installation, do not use power tools when installing these clamps.

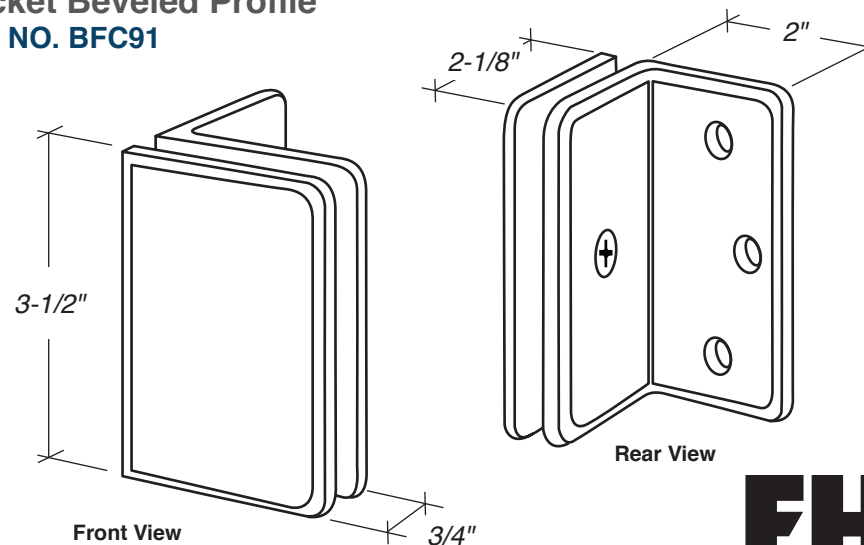
CARE & CLEANING GUIDELINES:

For best results, keep the following recommendations in mind when caring for your FHC shower door hardware. Your shower door hardware should be dried daily with a soft towel or cloth to insure its original finish. Do not use harsh cleaners or chemicals on the hardware, as many of the components are coated with a clear lacquer that will become damaged beyond repair. Always test your cleaning solution in an inconspicuous area prior to cleaning the entire hardware surface. Wipe surfaces clean using a soft dampened cloth or sponge and rinse completely with warm water immediately after applying the cleaning solution. Use only small amounts of liquid, gentle cleaner. Never use abrasive products, sponges, or wire scrub brushes while cleaning hardware.

Glendale Single-Hole Wall Bracket Square Profile ITEM NO. GLN91



Preston Single-Hole Wall Bracket Beveled Profile ITEM NO. BFC91



GLASS CLAMPS

Glendale Single-Hole Wall

Bracket Square Profile

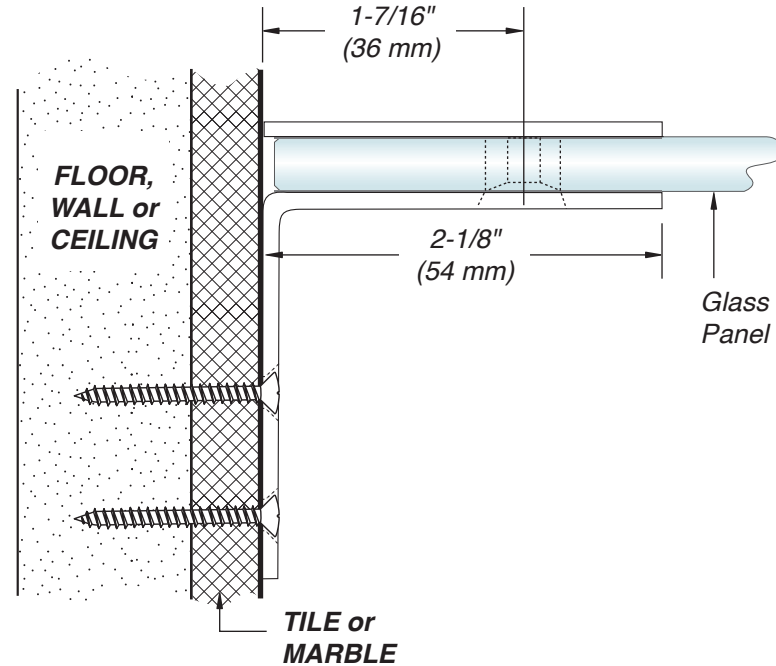
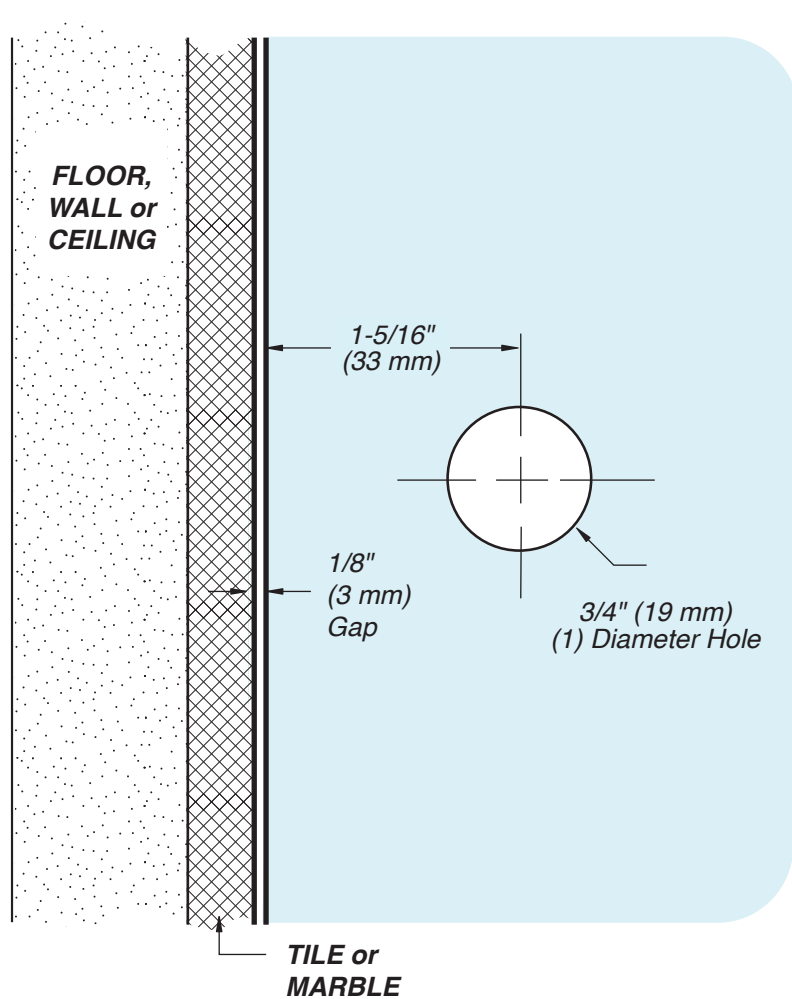
ITEM NO. GLN91

ITEM NO. BFC91



DO NOT MEASURE / SCALE DRAWING
USE DIMENSIONS SHOWN

TYPICAL INSTALLATION



USE ONLY
MONOLITHIC
TEMPERED GLASS



For Technical Support
Call Toll Free in the U.S.
(888) 295-4531



IMPORTANT:
Measure from Finished
Edge of Glass