

GLASS BRACKET

FHC Glendale Series 90 Degrees

Glass-to-Glass Bracket

ITEM NO. GLN1090



DO NOT MEASURE / SCALE DRAWING
USE DIMENSIONS SHOWN

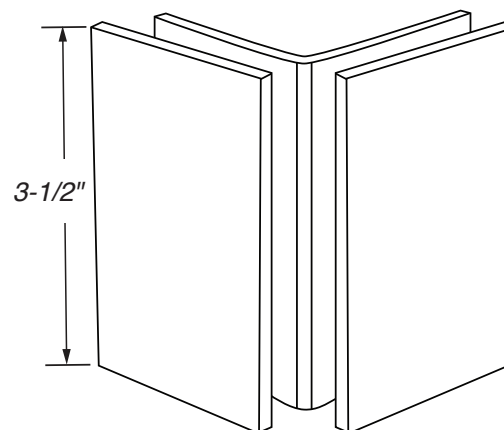
SPECIFICATIONS

Glass Sizes: 3/8" to 1/2" (10 to 12 mm) Tempered Glass Only

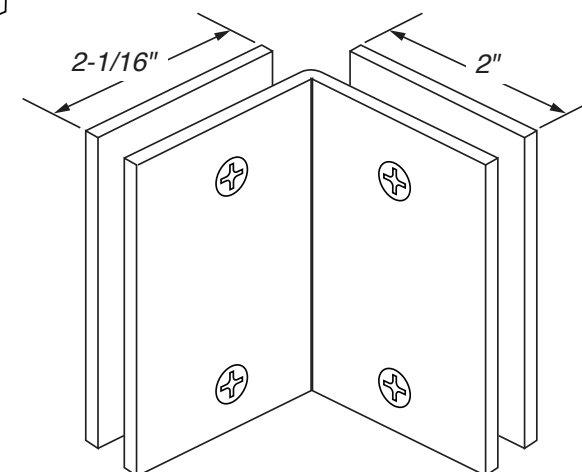
Construction: Solid Brass

Includes: Clamp body, glazing gaskets, mounting screws, and fabrication template.

Use: Residential Bath and Commercial Hotel Applications



Front View



Rear View

GASKET SPECIFICATIONS:

For 3/8" (10mm) or 1/2" (12mm) Glass: Use Two Thin Gaskets On Each Side

GLASS INSTRUCTIONS:

Only use tempered safety glass. To prevent damage to the clamp finish during installation, do not use power tools when installing these clamps.

CARE & CLEANING GUIDELINES:

For best results, keep the following recommendations in mind when caring for your FHC shower door hardware. Your shower door hardware should be dried daily with a soft towel or cloth to insure its original finish. Do not use harsh cleaners or chemicals on the hardware, as many of the components are coated with a clear lacquer that will become damaged beyond repair. Always test your cleaning solution in an inconspicuous area prior to cleaning the entire hardware surface. Wipe surfaces clean using a soft dampened cloth or sponge and rinse completely with warm water immediately after applying the cleaning solution. Use only small amounts of liquid, gentle cleaner. Never use abrasive products, sponges, or wire scrub brushes while cleaning hardware.

GLASS BRACKET

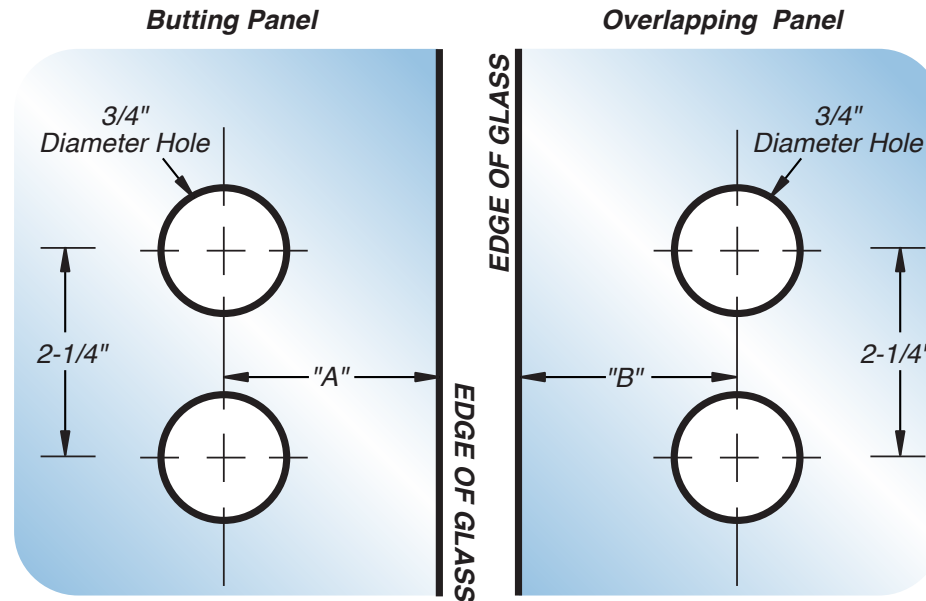
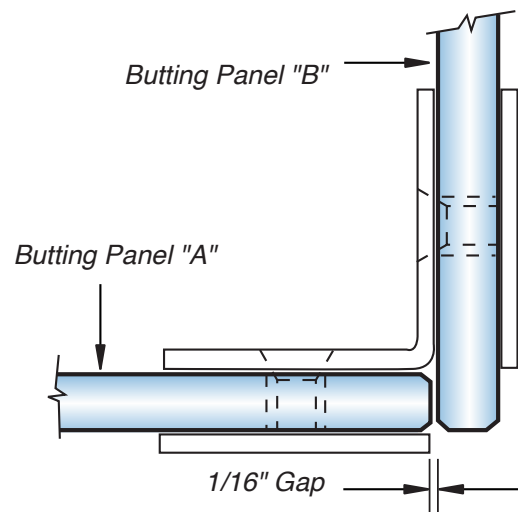
FHC Glendale Series 90 Degrees
Glass-to-Glass Bracket
ITEM NO. GLN1090



DO NOT MEASURE / SCALE DRAWING
USE DIMENSIONS SHOWN

TYPICAL INSTALLATION

TEMPLATE OPTION For SQUARE CUT GLASS



Glass Thickness	"A" MEASUREMENT	"B" MEASUREMENT
3/8" (10mm)	1-3/8" (35mm)	1-13/16" (46mm)
1/2" (12mm)	1-3/8" (35mm)	1-15/16" (49mm)



IMPORTANT:
Measure from Finished
Edge of Glass



USE ONLY
MONOLITHIC
TEMPERED GLASS



For Technical Support
Call Toll Free in the U.S.
(888) 295-4531



GLASS BRACKET

FHC Glendale Series 90 Degrees
Glass-to-Glass Bracket
ITEM NO. GLN1090



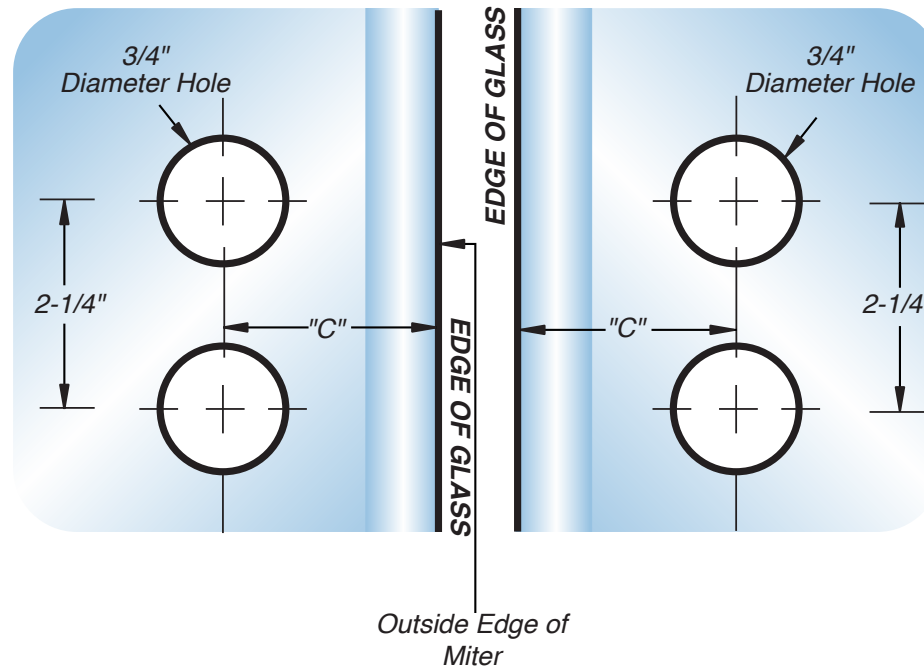
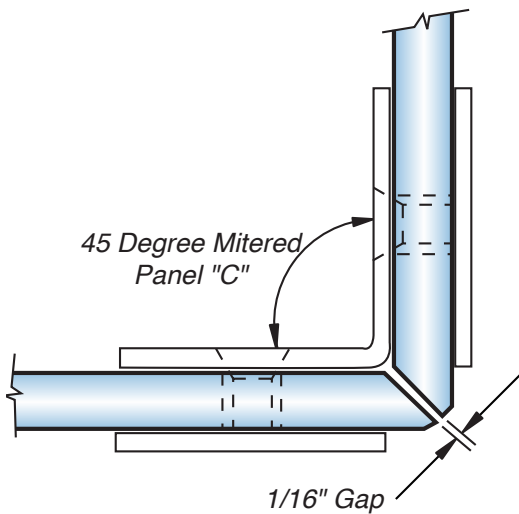
DO NOT MEASURE / SCALE DRAWING
USE DIMENSIONS SHOWN

TYPICAL INSTALLATION

TEMPLATE OPTION for 45° Mitered Glass

45 Mitered Panel

45 Mitered Panel



IMPORTANT:
Measure from Finished
Edge of Glass



**USE ONLY
MONOLITHIC
TEMPERED GLASS**



For Technical Support
Call Toll Free in the U.S.
(888) 295-4531

Glass Thickness	"C" MEASUREMENT
3/8" (10mm)	1-3/4" (44mm)
1/2" (12mm)	1-7/8" (47mm)