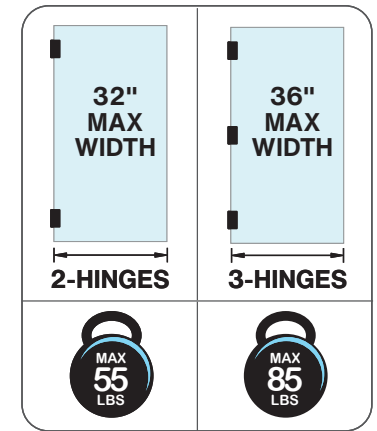
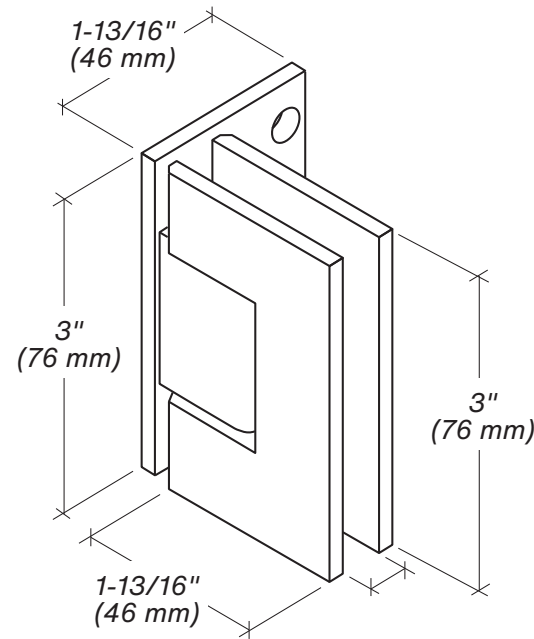


# JUNIOR GLENDALE

Wall Mount Hinge - Factory Set  
5 Degree Positive Close Offset Back Plate  
ITEM NO. JRGLEN05

## SPECIFICATIONS

**Glass Sizes:** 1/4" (6 mm) Tempered Glass Only  
**Construction:** Solid Brass  
**Cutout Required:** See Page 2  
**Closing Type:** Self-Centering When Within 15 Degrees of Closed Position  
**Includes:** Hinge body, glazing gaskets, wall mounting screws, allen head/phillips head cover plate screws, and fabrication template.  
**Use:** Residential Bath and Commercial Hotel Applications



**SEE TEMPLATE ON BACK**  
Refer to Dimensions Shown to Ensure Accuracy

## GASKET SPECIFICATIONS:

For 1/4" (6 mm) Glass: Use One Thick Gasket On Each Side

## GLASS INSTRUCTIONS:

Only use tempered safety glass. To prevent damage to the hinge finish during installation, **do not** use power tools when installing these hinges.

## IMPORTANT INFORMATION:

The Junior Glendale Series Hinge comes factory set to allow an additional 5 degrees of closing for jobs that require a firmer positive position against a jamb or seal.

## CARE & CLEANING GUIDELINES:

For best results, keep the following recommendations in mind when caring for your FHC shower door hardware. Your shower door should be dried daily with a soft towel or cloth to ensure its original finish. Do not use harsh cleaners or chemicals on the hardware, as many of the components are coated with a clear lacquer that will become damaged beyond repair. Always test your cleaning solution in an inconspicuous area prior to cleaning the entire hardware surface. Wipe surfaces clean using a soft, dampened cloth or sponge, and rinse completely with warm water immediately after applying the cleaning solution. Use only small amounts of liquid, gentle, cleaner. **Never** use abrasive products, sponges, or wire scrub brushes while cleaning hardware.

## MAINTENANCE:

FHC's hinges come factory greased for a silent, hassle-free experience. If there is any noticeable squeaking that occurs after installation it is recommended to apply a few drops of (3 in 1) multi-purpose oil to the hinge, at the nylon washer/pivot location. The lubricant will penetrate the hinge crevices, reducing friction, cleaning grime, and/or buildup. Spray lubricants are prohibited. If, for some reason, the hinge is disassembled during maintenance, use a small amount of white lithium grease to lubricate the interior hinge components.

MAXIMUM DOOR CAPACITY	1/ 4" (6 mm) GLASS Approx. 3 lb/ft <sup>2</sup>	
	DOOR WEIGHT	DOOR WIDTH
USING 2 HINGES	55 LBS. (25 kg)	32" (813 mm)
USING 3 HINGES	85 LBS. (38.6 kg)	36" (914 mm)

NOTE: Do not exceed either maximum weight or width when choosing proper quantity of hinges.

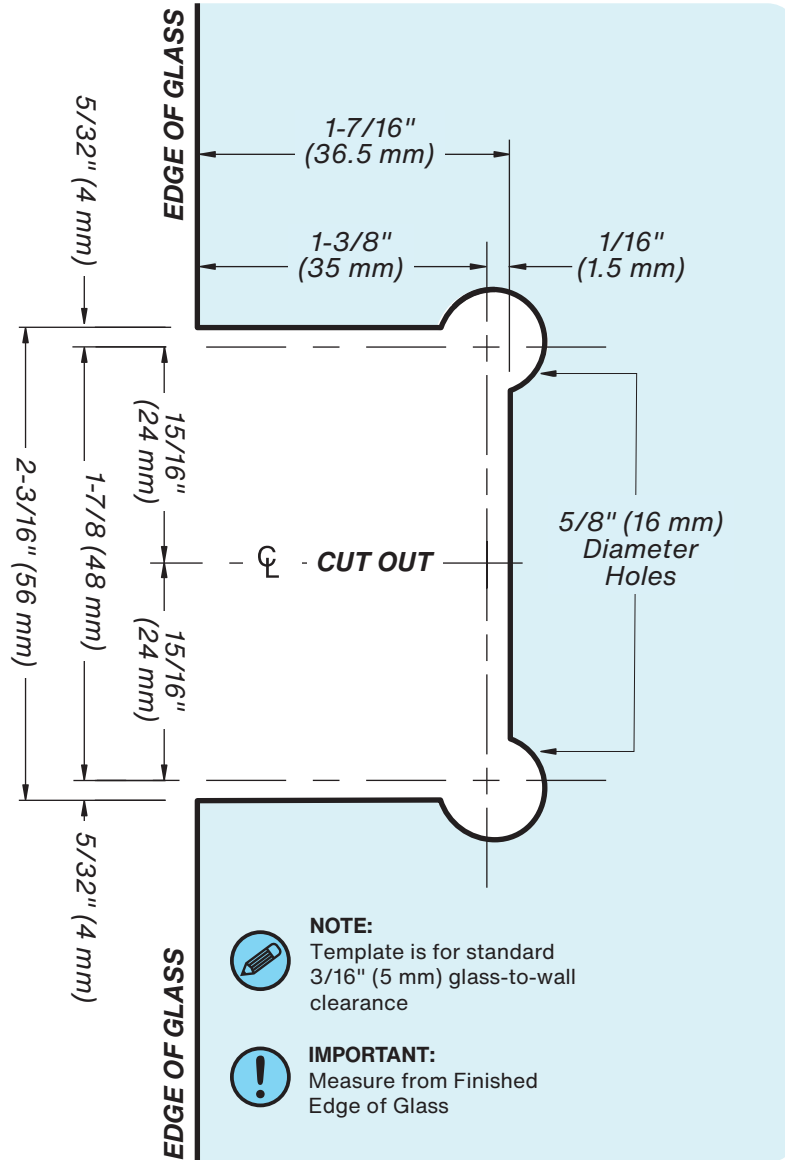


# JUNIOR GLENDALE

Wall Mount Hinge - Factory Set  
 5 Degree Positive Close Offset Back Plate  
 ITEM NO. JRGLEN05



DO NOT MEASURE / SCALE DRAWING  
 USE DIMENSIONS SHOWN



USE ONLY  
 MONOLITHIC  
 TEMPERED GLASS



For Technical Support  
 Call Toll Free in the U.S.  
 (888) 295-4531

**FHC**<sup>®</sup>  
 FRAMELESS HARDWARE COMPANY  
 THE GLAZING SUPPLY COMPANY  
 EXPERIENCE AND INNOVATION