

GLASS CLAMPS

Notch Style Double Mounting Holes

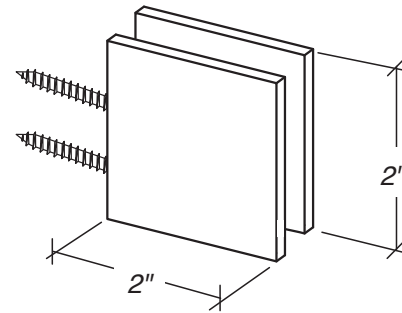
SPECIFICATIONS

Glass Sizes: 3/8" to 1/2" (10 to 12 mm) Tempered Glass Only
Construction: Solid Brass
Cutout Required: See Page 2
Includes: Clamp body, glazing gaskets, mounting screws, and fabrication template.
Use: Residential Bath and Commercial Hotel Applications

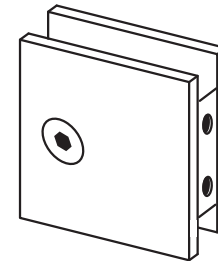
ITEM NO. SFCU1 Square Profile



SEE TEMPLATE ON BACK
 Refer to Dimensions Shown
 to Ensure Accuracy

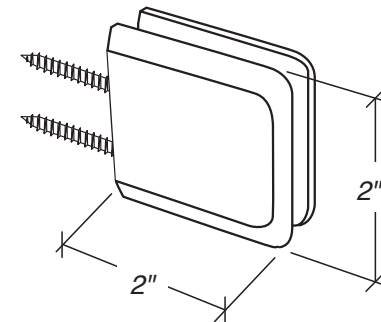


Front View

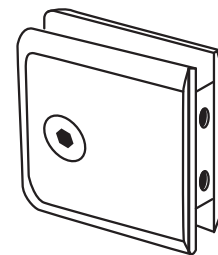


Rear View

ITEM NO. BFCU1 Beveled Profile



Front View



Rear View

GASKET SPECIFICATIONS:

For 3/8" (10mm) Glass: Use One Gasket On Each Side

For 1/2" (12mm) Glass: Use One Gasket On Each Side

GLASS INSTRUCTIONS:

Only use tempered safety glass. To prevent damage to the clamp finish during installation, do not use power tools when installing these clamps.

CARE & CLEANING GUIDELINES:

For best results, keep the following recommendations in mind when caring for your FHC shower door hardware. Your shower door hardware should be dried daily with a soft towel or cloth to insure its original finish. Do not use harsh cleaners or chemicals on the hardware, as many of the components are coated with a clear lacquer that will become damaged beyond repair. Always test your cleaning solution in an inconspicuous area prior to cleaning the entire hardware surface. Wipe surfaces clean using a soft dampened cloth or sponge and rinse completely with warm water immediately after applying the cleaning solution. Use only small amounts of liquid, gentle cleaner. Never use abrasive products, or wire scrub brushes while cleaning hardware.



**USE ONLY
MONOLITHIC
TEMPERED GLASS**



For Technical Support
 Call Toll Free in the U.S.
(888) 295-4531

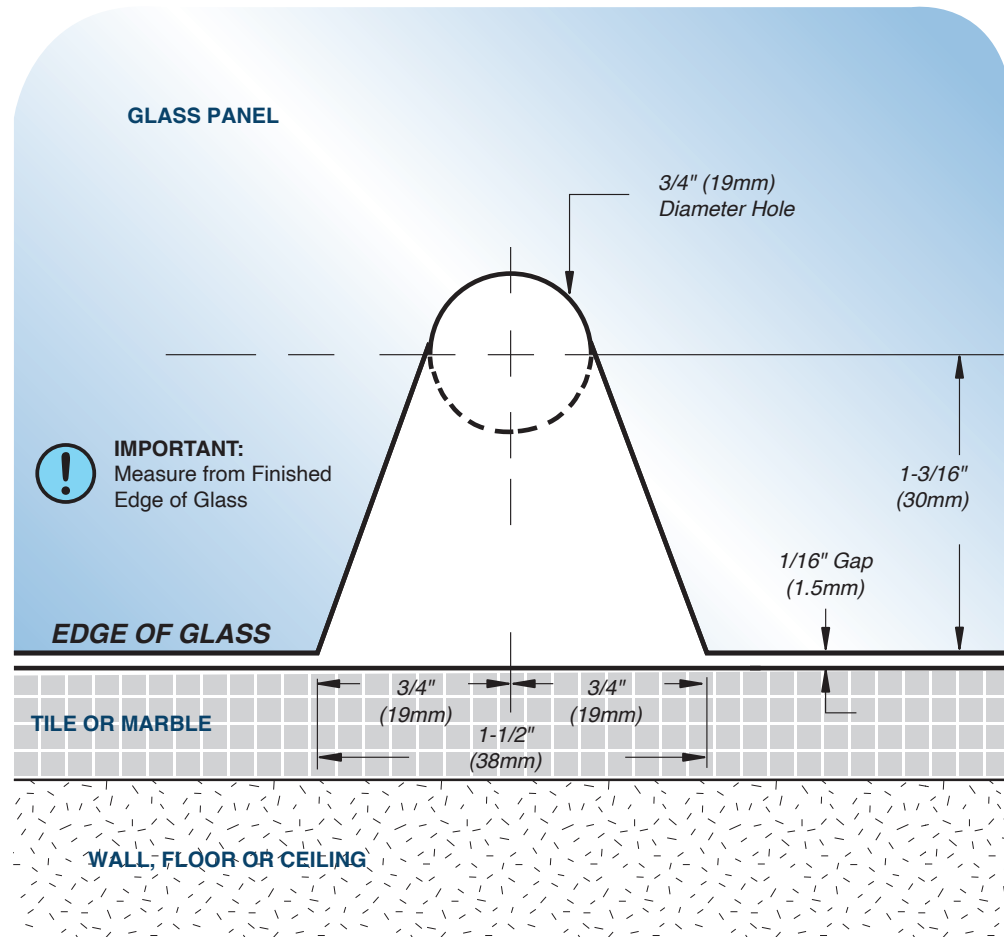
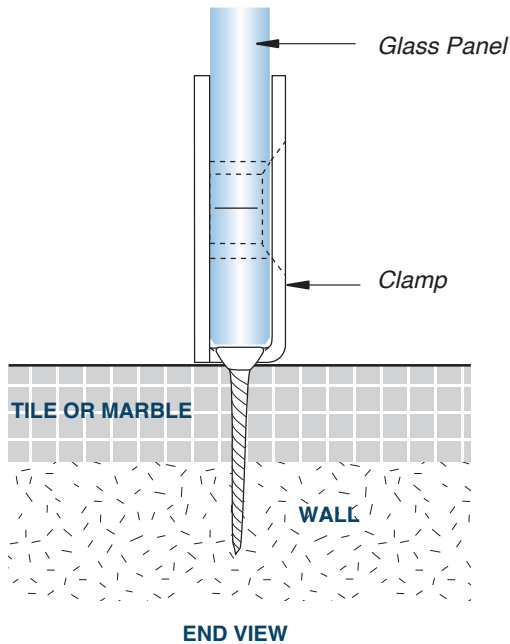
GLASS CLAMPS

Notch Style Double Mounting Holes
 ITEM NO. SFCU1 SQUARE PROFILE
 ITEM NO. BFCU1 BEVELED PROFILE



DO NOT MEASURE / SCALE DRAWING
 USE DIMENSIONS SHOWN

TYPICAL INSTALLATION




**USE ONLY
 MONOLITHIC
 TEMPERED GLASS**


 For Technical Support
 Call Toll Free in the U.S.
(888) 295-4531