

PASADENA HD

Wall Mount Hinge - Offset Back Plate

ITEM NO. PAS03

SPECIFICATIONS

Glass Sizes: 3/8" or 1/2" (10 or 12 mm) Tempered Glass Only
Construction: Solid Brass
Closing Type: Full Rotation and Self-Centering
 When Within 15 Degrees of Closed Position
Cutout Required: Cutout No. SD48
Includes: Hinge body, glazing gaskets, mounting screws, allen head/phillips head cover plate screws, and fabrication template.
Use: Residential Bath and Commercial Hotel Applications

GASKET SPECIFICATIONS:

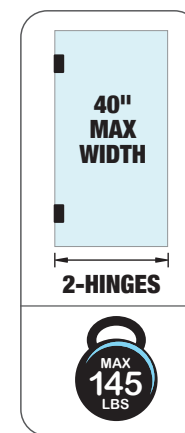
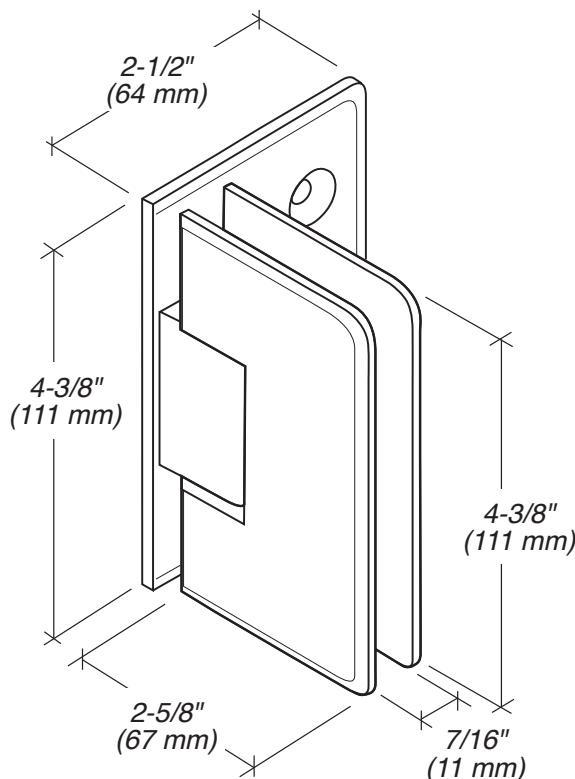
For 3/8" (10 mm) Glass: Use One Thick Gasket On Each Side
For 1/2" (12 mm) Glass: Use One Thin Gasket On Each Side

GLASS INSTRUCTIONS:

Only use tempered safety glass. To prevent damage to the hinge finish during installation, **do not** use power tools when installing these hinges.

IMPORTANT INFORMATION:

The Pasadena HD hinge has a dual degree pivot pin. It comes factory set at 90 degrees for normal door closing applications. There is also a secondary setting on the hinge pivot pin that can be field adjusted to allow an additional 5 degrees of closing for jobs that require a firmer positive position against a jamb or seal.



SEE TEMPLATE ON BACK
 Refer to Dimensions Shown to Ensure Accuracy



CARE & CLEANING GUIDELINES:

For best results, keep the following recommendations in mind when caring for your FHC shower door hardware. Your shower door should be dried daily with a soft towel or cloth to ensure its original finish. Do not use harsh cleaners or chemicals on the hardware, as many of the components are coated with a clear lacquer that will become damaged beyond repair. Always test your cleaning solution in an inconspicuous area prior to cleaning the entire hardware surface. Wipe surfaces clean using a soft, dampened cloth or sponge, and rinse completely with warm water immediately after applying the cleaning solution. Use only small amounts of liquid, gentle, cleaner. **Never** use abrasive products, sponges, or wire scrub brushes while cleaning hardware.

MAINTENANCE:

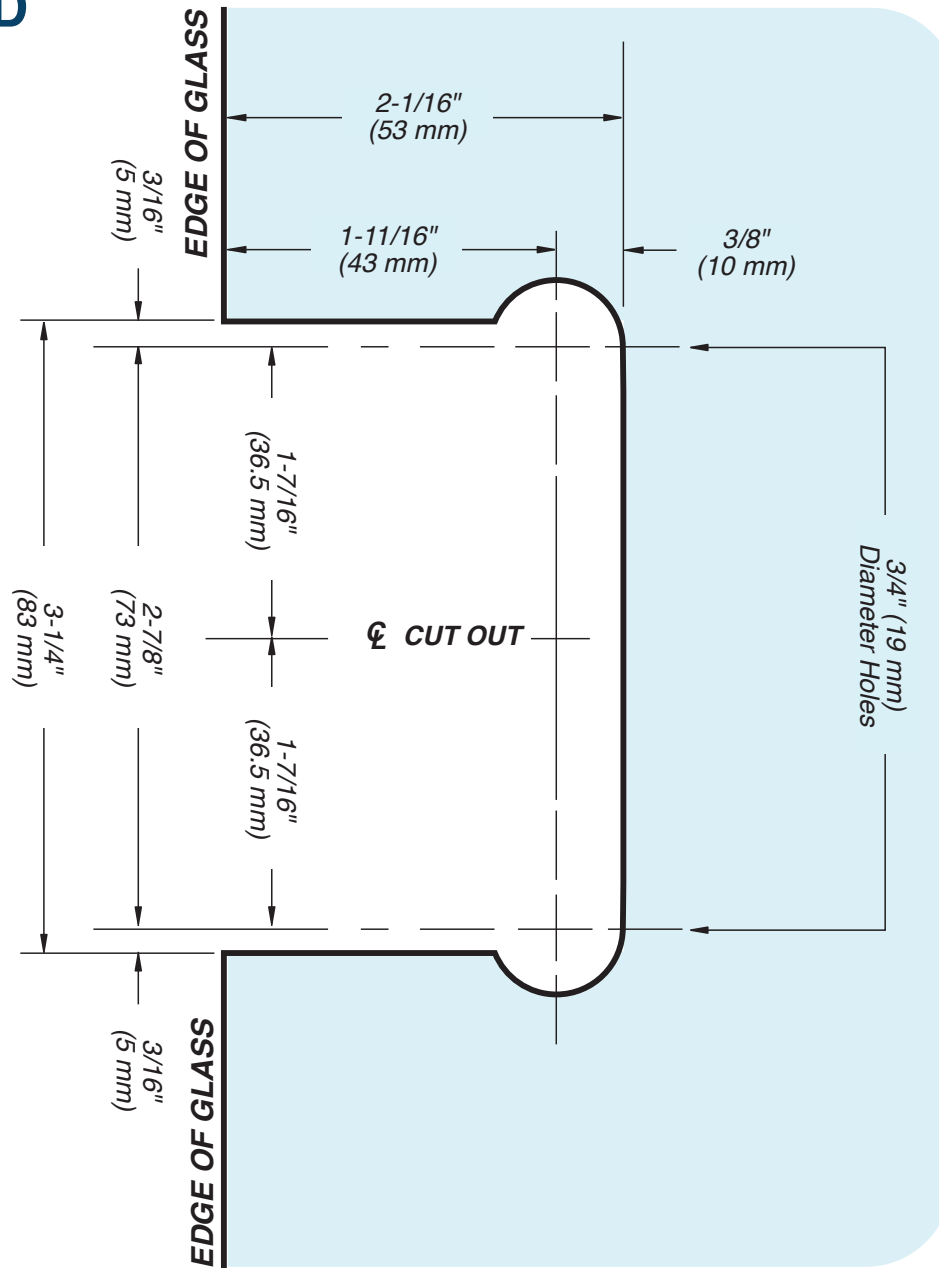
FHC's hinges come factory greased for a silent, hassle-free experience. If there is any noticeable squeaking that occurs after installation it is recommended to apply a few drops of (3 in 1) multi-purpose oil to the hinge, at the nylon washer/pivot location. The lubricant will penetrate the hinge crevices, reducing friction, cleaning grime, and/or buildup. Spray lubricants are prohibited. If, for some reason, the hinge is disassembled during maintenance, use a small amount of white lithium grease to lubricate the interior hinge components.

MAXIMUM DOOR CAPACITY	3/8" (10 mm) GLASS Approx. 5 lb/ft²	1/2" (12 mm) GLASS Approx. 6.4 lb/ft²
	DOOR WEIGHT	DOOR WIDTH
USING 2 HINGES	145 LBS. (65 kg)	40" (1016 mm)

NOTE: Do not exceed either maximum weight or width when choosing proper quantity of hinges.

PASADENA HD

Wall Mount Hinge -
Offset Back Plate
ITEM NO. PAS03



DO NOT MEASURE / SCALE DRAWING
USE DIMENSIONS SHOWN



Cutout No. SD48

IMPORTANT:
Measure from Finished
Edge of Glass



USE ONLY
MONOLITHIC
TEMPERED GLASS



For Technical Support
Call Toll Free in the U.S.
(888) 295-4531

