

# PATRIOT GRANDE

Top Beveled Pivot Hinge  
ITEM NO. PATGS06

## SPECIFICATIONS

**Glass Sizes:** 1/2" (12 mm) Tempered Glass Only  
**Construction:** Solid Brass  
**Closing Type:** Full Rotation and Self-Centering  
 When Within 15 Degrees of Closed Position  
**Cutout Required:** Cutout No. SD13 or SD14  
**Includes:** Hinge body, glazing gaskets, mounting screws, allen head/phillips head cover plate screws, and fabrication template.  
**Use:** Residential Bath and Commercial Hotel Applications

## GASKET SPECIFICATIONS:

For 1/2" (12mm) Glass: Use One Thin Gasket On One Side and One Thick Gasket on the Other Side

## GLASS INSTRUCTIONS:

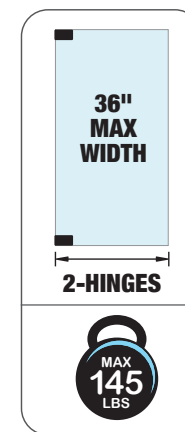
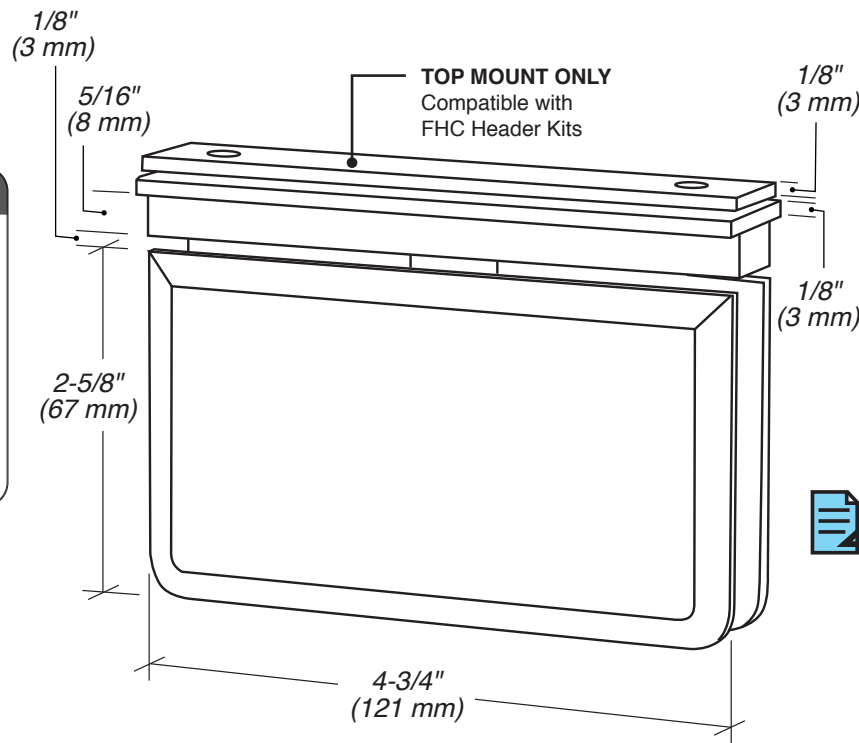
Only use tempered safety glass. To prevent damage to the hinge finish during installation, do not use power tools when installing these hinges.

## IMPORTANT INFORMATION:

The Patriot Grande Series Pivot Hinge offers advantages over a standard shower door hinge. One benefit is that you can adjust your hinge "pivot point" giving additional clearance for pull handles, towel bars, or wall conditions that could interfere when the door is opened 90 degrees. Additionally, the pivot hinge design allows most of the door's weight to primarily rest on the bottom pivot fitting, giving more stability and a reduced load. Pivot hinge comes factory set at a standard closed position, an optional 5 degree pivot pin set (Item # P1VPN12) is also available and can be installed on the jobsite. This option allows an additional 5 degrees of closing for jobs that require a firmer, positive position against a jamb or seal.

MAXIMUM DOOR CAPACITY	1/2" (12 mm) GLASS	
	WEIGHT	WIDTH
USING 2 HINGES	145 LBS. (66 kg)	36" (914 mm)

NOTE: Do not exceed either maximum weight or width when choosing proper quantity of hinges.



SEE TEMPLATE ON BACK  
Refer to Dimensions Shown to Ensure Accuracy

## CARE & CLEANING GUIDELINES:

For best results, keep the following recommendations in mind when caring for your FHC shower door hardware. Your shower door should be dried daily with a soft towel or cloth to ensure its original finish. Do not use harsh cleaners or chemicals on the hardware, as many of the components are coated with a clear lacquer that will become damaged beyond repair. Always test your cleaning solution in an inconspicuous area prior to cleaning the entire hardware surface. Wipe surfaces clean using a soft, dampened cloth or sponge, and rinse completely with warm water immediately after applying the cleaning solution. Use only small amounts of liquid, gentle, cleaner. Never use abrasive products, sponges, or wire scrub brushes while cleaning hardware.

## MAINTENANCE:

FHC's hinges come factory greased for a silent, hassle-free experience. If there is any noticeable squeaking that occurs after installation it is recommended to apply a few drops of (3 in 1) multi-purpose oil to the hinge, at the nylon washer/pivot location. The lubricant will penetrate the hinge crevices, reducing friction, cleaning grime, and/or buildup. Spray lubricants are prohibited. If, for some reason, the hinge is disassembled during maintenance, use a small amount of white lithium grease to lubricate the interior hinge components.



# PATRIOT GRANDE

Top Beveled Pivot Hinge

ITEM NO. PATGS06

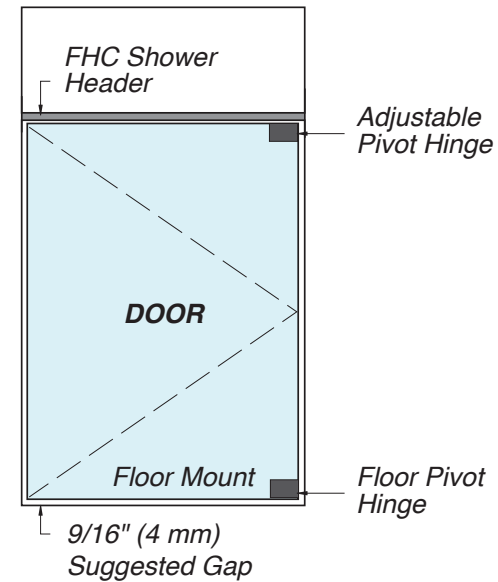
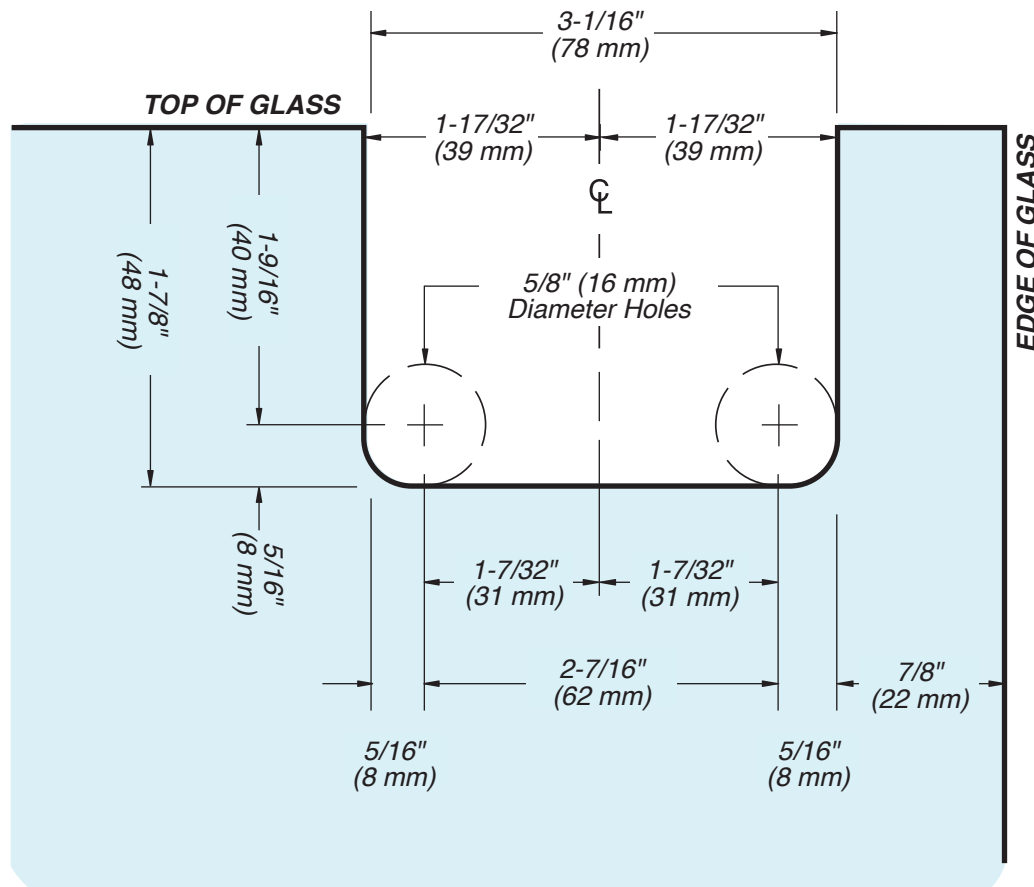
Edge Pivot Preferred Option



DO NOT MEASURE / SCALE DRAWING  
USE DIMENSIONS SHOWN

Cutout No. SD13


## EDGE PIVOT PREFERRED OPTION



  
**USE ONLY  
MONOLITHIC  
TEMPERED GLASS**



For Technical Support  
Call Toll Free in the U.S.  
**(888) 295-4531**

 **IMPORTANT:**  
Measure from Finished  
Edge of Glass

# PATRIOT GRANDE

Top Beveled Pivot Hinge

ITEM NO. PATGS06

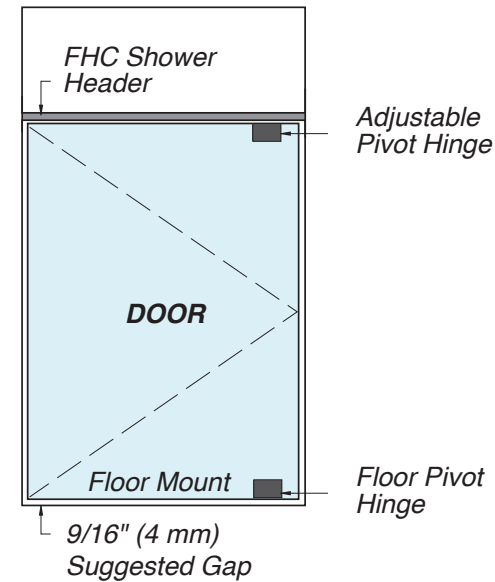
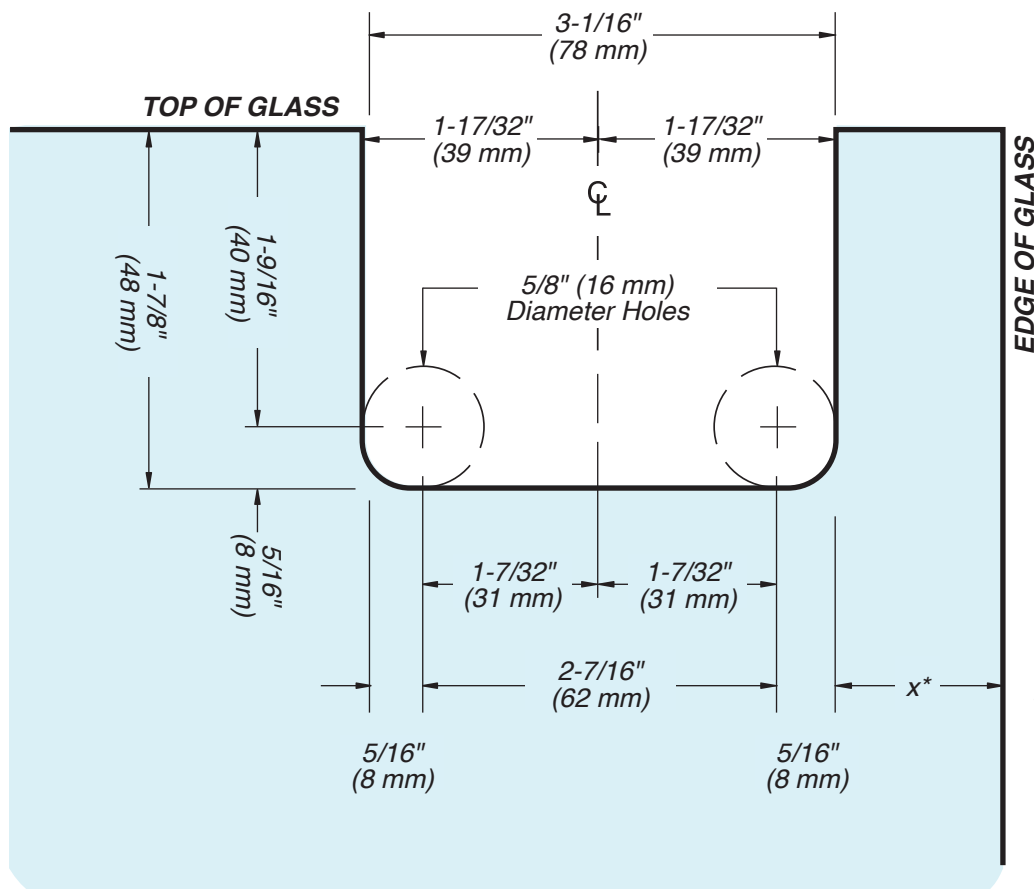
*Inset Pivot Option*



DO NOT MEASURE / SCALE DRAWING  
USE DIMENSIONS SHOWN

Cutout No. SD14

## INSET PIVOT OPTION



  
USE ONLY  
MONOLITHIC  
TEMPERED GLASS



For Technical Support  
Call Toll Free in the U.S.  
**(888) 295-4531**



**IMPORTANT:**  
Measure from Finished  
Edge of Glass

\* This measurement varies  
depending on the amount  
of inset you desire.