

# PATRIOT GRANDE

Patriot Grande Top/Bottom Mount Pivot  
With Attached Reversible U-Clamp  
ITEM NO. PATGS07

## SPECIFICATIONS

**Glass Sizes:** 1/2" (12 mm) Tempered Glass Only  
**Construction:** Solid Brass  
**Closing Type:** Full Rotation and Self-Centering  
When Within 15 Degrees of Closed Position  
**Cutout Required:** See Pages 2-3 for options  
**Includes:** Hinge body, glazing gaskets, mounting screws, allen head/phillips head cover plate screws, and fabrication template.  
**Use:** Residential Bath and Commercial Hotel Applications

## GASKET SPECIFICATIONS:

For 1/2" (12mm) Glass: Use One Thin Gasket On One Side and One Thick Gasket on the Other Side

## GLASS INSTRUCTIONS:

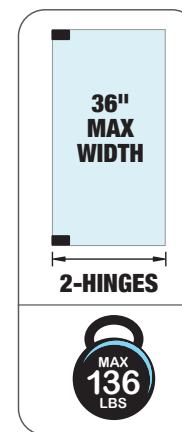
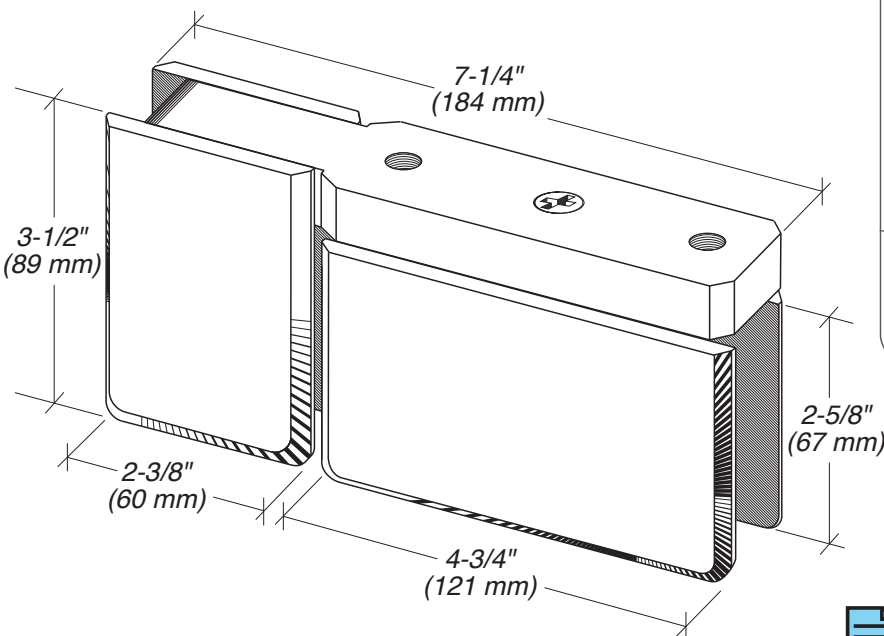
Only use tempered safety glass. To prevent damage to the hinge finish during installation, **do not** use power tools when installing these hinges.

## IMPORTANT INFORMATION:

The Patriot Grande Series Pivot Hinge offers advantages over a standard shower door hinge. The pivot hinge design allows most of the door's weight to primarily rest on the bottom pivot fitting, giving more stability and a reduced load. Pivot hinge comes factory set at a standard closed position, an optional 5 degree pivot pin set (Item # P1VPN12) is also available and can be installed on the jobsite. This option allows an additional 5 degrees of closing for jobs that require a firmer, positive position against a jamb or seal.

MAXIMUM DOOR CAPACITY	1/2" (12 mm) GLASS	
	WEIGHT	WIDTH
USING 2 HINGES	136 LBS. (62 kg)	36" (914 mm)

NOTE: Do not exceed either maximum weight or width when choosing proper quantity of hinges.



**SEE TEMPLATE ON BACK**  
Refer to Dimensions Shown to Ensure Accuracy

## CARE & CLEANING GUIDELINES:

For best results, keep the following recommendations in mind when caring for your FHC shower door hardware. Your shower door should be dried daily with a soft towel or cloth to ensure its original finish. Do not use harsh cleaners or chemicals on the hardware, as many of the components are coated with a clear lacquer that will become damaged beyond repair. Always test your cleaning solution in an inconspicuous area prior to cleaning the entire hardware surface. Wipe surfaces clean using a soft, dampened cloth or sponge, and rinse completely with warm water immediately after applying the cleaning solution. Use only small amounts of liquid, gentle, cleaner. **Never** use abrasive products, sponges, or wire scrub brushes while cleaning hardware.

## MAINTENANCE:

FHC's hinges come factory greased for a silent, hassle-free experience. If there is any noticeable squeaking that occurs after installation, it is recommended to apply a few drops of (3 in 1) multi-purpose oil to the hinge, at the nylon washer/pivot location. The lubricant will penetrate the hinge crevices, reducing friction, cleaning grime, and/or buildup. Spray lubricants are prohibited. If, for some reason, the hinge is disassembled during maintenance, use a small amount of white lithium grease to lubricate the interior hinge components.

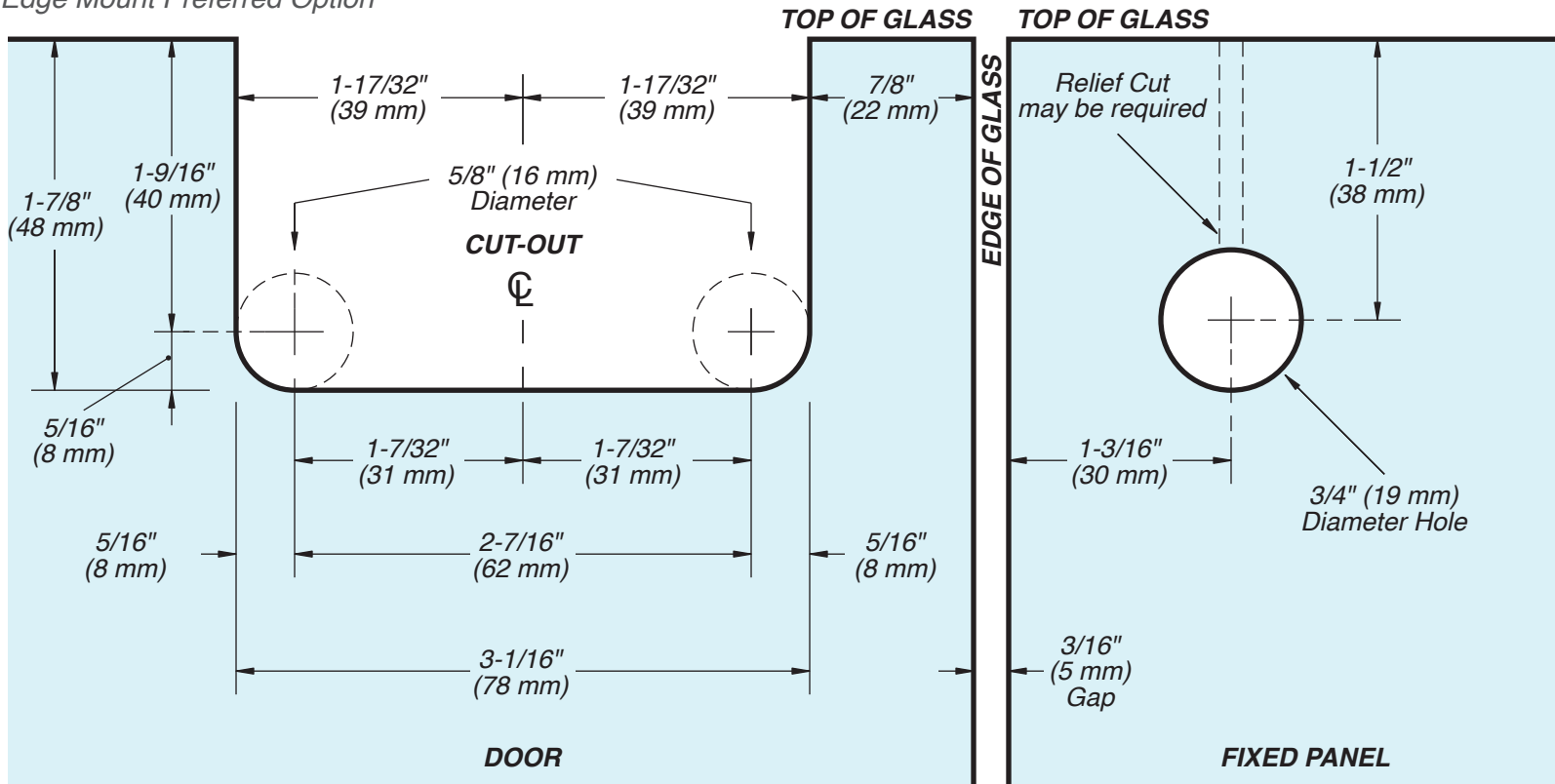


# PATRIOT GRANDE

Patriot Grande Top/Bottom Mount Pivot  
With Attached Reversible U-Clamp  
ITEM NO. PATGS07

Edge Mount Preferred Option

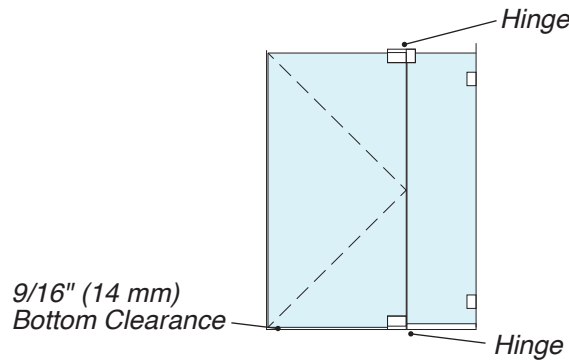
DO NOT MEASURE / SCALE DRAWING  
USE DIMENSIONS SHOWN



USE ONLY  
MONOLITHIC  
TEMPERED GLASS



For Technical Support  
Call Toll Free in the U.S.  
**(888) 295-4531**

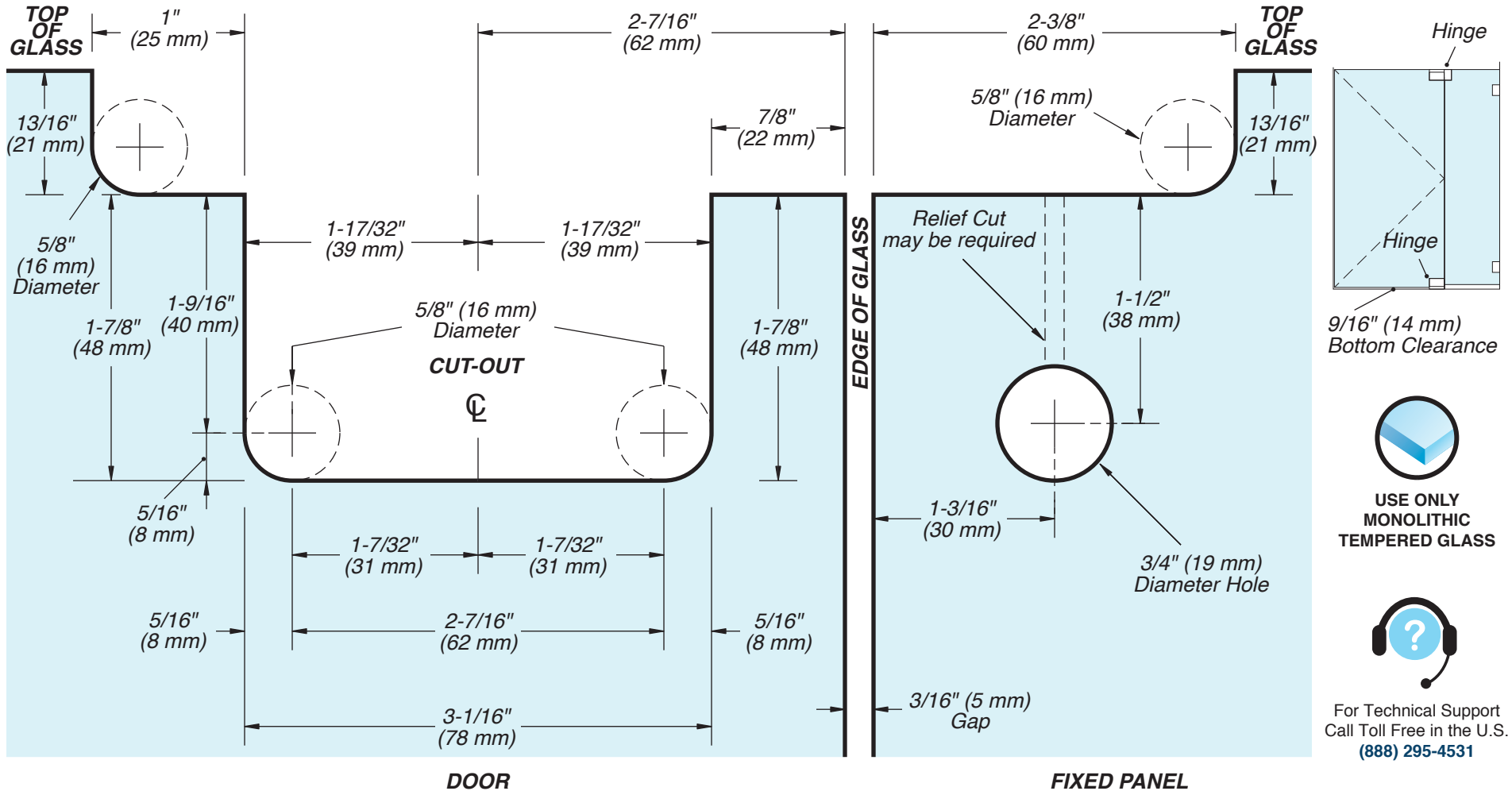


# PATRIOT GRANDE

Patriot Grande Top/Bottom Mount Pivot  
With Attached Reversible U-Clamp  
ITEM NO. PATGS07

Top Flush Mount Option

DO NOT MEASURE / SCALE DRAWING  
USE DIMENSIONS SHOWN



  
USE ONLY  
MONOLITHIC  
TEMPERED GLASS

  
For Technical Support  
Call Toll Free in the U.S.  
(888) 295-4531