

# FHC Right Hand Sidelite Mounted Transom Patch with Support Fin Bracket

## PF41R MODELS

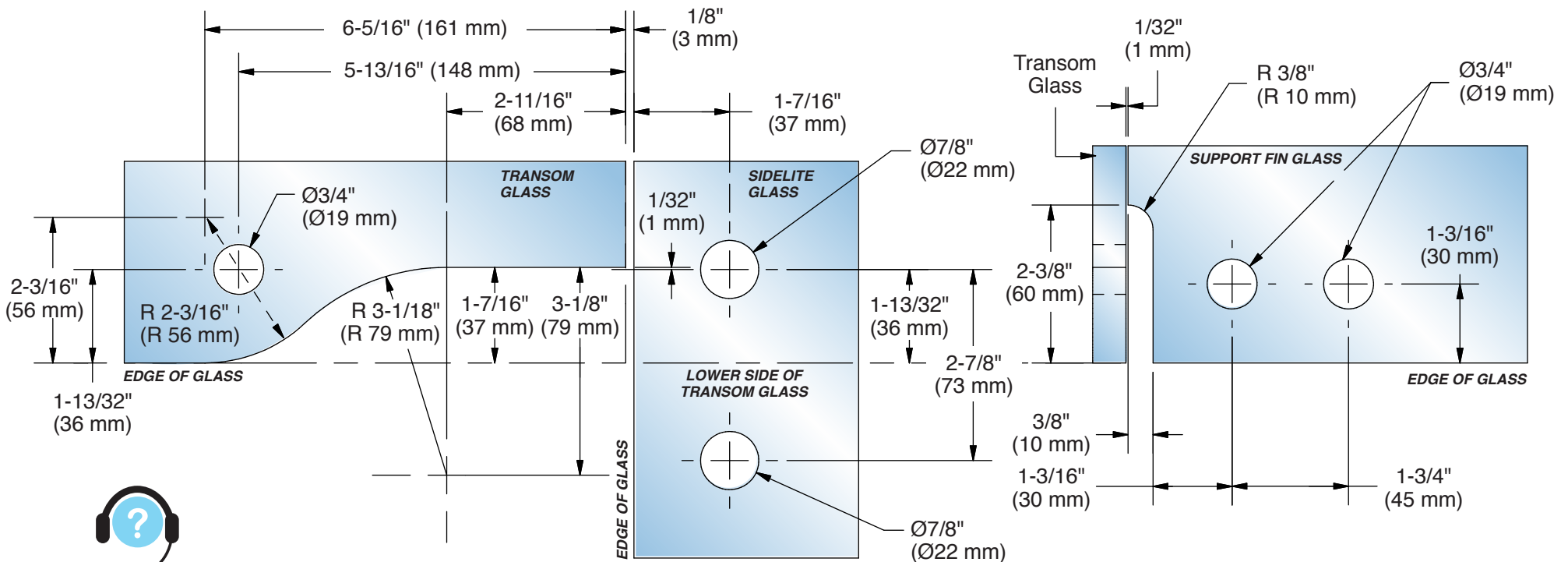
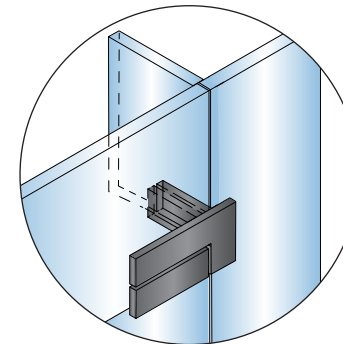
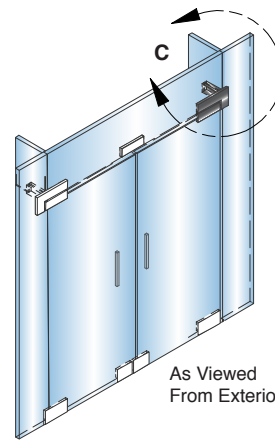
North American 2-3/4" (70 mm) Setback or  
European 2-9/16" (65 mm) Setback  
Includes Pivot Insert, Cover Plates



DO NOT MEASURE / SCALE DRAWING  
USE DIMENSIONS SHOWN

**IMPORTANT:**  
Measure from Finished  
Edge of Glass

### Glass Cut Out



For Technical Support  
Call Toll Free in the U.S.  
**(888) 295-4531**