

# PATRIOT

135° Glass-to-Glass Hinge With Attached U-Clamp

ITEM NO. PAT0735L (Left Hinge)

ITEM NO. PAT0735R (Right Hinge)

## SPECIFICATIONS

**Glass Sizes:** 3/8" (10 mm) Tempered Glass Only  
**Construction:** Solid Brass  
**Closing Type:** Full Rotation Self-Centering  
 When Within 15 Degrees of Closed Position  
**Cutout Required:** See Options  
**Includes:** Hinge body, glazing gaskets, mounting screws, allen head/phillips head cover plate screws, and fabrication template.  
**Use:** Residential Bath and Commercial Hotel Applications

## GASKET SPECIFICATIONS:

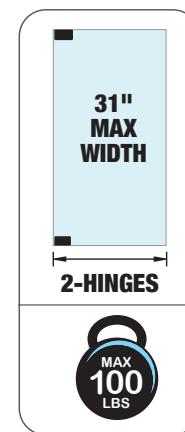
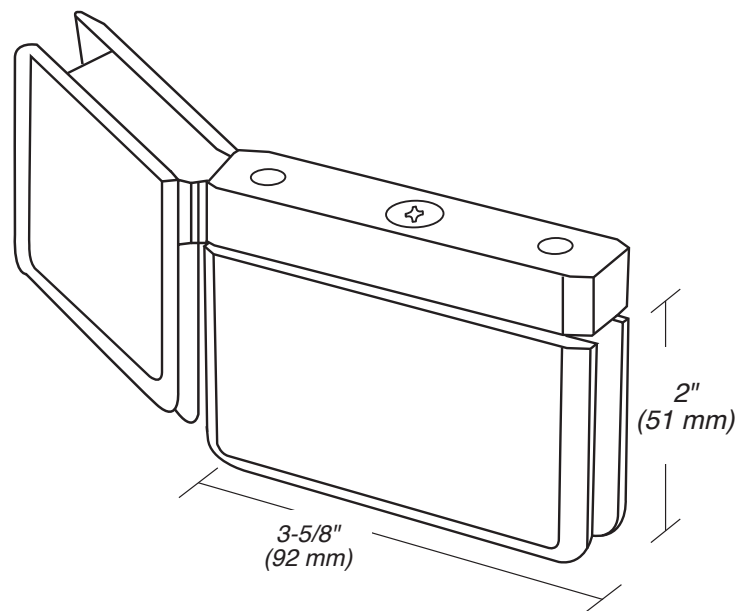
**For 3/8" (10mm) Glass:** Use One Thick Gasket on One Side and One Thin Gasket on the Other Side

## GLASS INSTRUCTIONS:

Only use tempered safety glass. To prevent damage to the hinge finish during installation, **do not** use power tools when installing these hinges.

## IMPORTANT INFORMATION:

The Patriot Series Pivot Hinge offers advantages over a standard shower door hinge. The pivot hinge design allows most of the door's weight to primarily rest on the bottom pivot fitting, giving more stability and a reduced load. Pivot hinge comes factory set at a standard closed position, an optional 5 degree pivot pin set (Item # P1VPN38) is also available and can be installed on the jobsite. This option allows an additional 5 degrees of closing for jobs that require a firmer, positive position against a jamb or seal.



## CARE & CLEANING GUIDELINES:

For best results, keep the following recommendations in mind when caring for your FHC shower door hardware. Your shower door should be dried daily with a soft towel or cloth to ensure its original finish. Do not use harsh cleaners or chemicals on the hardware, as many of the components are coated with a clear lacquer that will become damaged beyond repair. Always test your cleaning solution in an inconspicuous area prior to cleaning the entire hardware surface. Wipe surfaces clean using a soft, dampened cloth or sponge, and rinse completely with warm water immediately after applying the cleaning solution. Use only small amounts of liquid, gentle cleaner. **Never** use abrasive products, sponges, or wire scrub brushes while cleaning hardware.

## MAINTENANCE:

FHC's hinges come factory greased for a silent, hassle-free experience. If there is any noticeable squeaking that occurs after installation, it is recommended to apply a few drops of (3 in 1) multi-purpose oil to the hinge, at the nylon washer/pivot location. The lubricant will penetrate the hinge crevices, reducing friction, cleaning grime, and/or buildup. Spray lubricants are prohibited. If, for some reason, the hinge is disassembled during maintenance, use a small amount of white lithium grease to lubricate the interior hinge components.

MAXIMUM DOOR CAPACITY	3/8" (10 mm) GLASS Approx. 5 lb/ft <sup>2</sup>	
	WEIGHT	WIDTH
USING 2 HINGES	100 LBS. (46 kg)	31" ( 787mm)

NOTE: Do not exceed either maximum weight or width when choosing proper quantity of hinges.

# PATRIOT

135° Glass-to-Glass Hinge With Attached U-Clamp

ITEM NO. PAT0735L (Left Hinge)

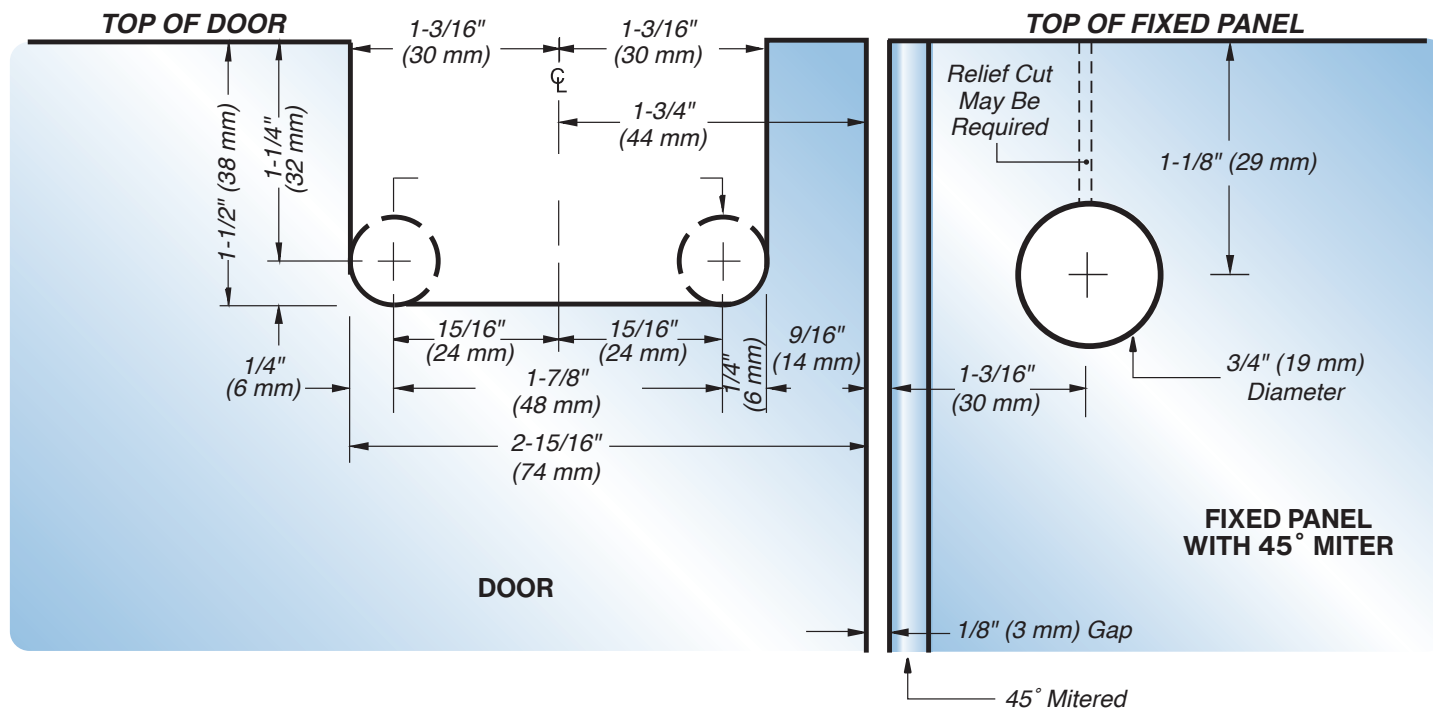
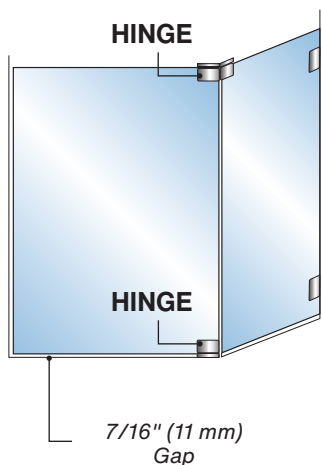
ITEM NO. PAT0735R (Right Hinge)

Edge Mount Preferred Method



DO NOT MEASURE / SCALE DRAWING  
USE DIMENSIONS SHOWN

## TYPICAL INSTALLATION



USE ONLY HINGE  
MONOLITHIC  
TEMPERED GLASS



For Technical Support  
Call Toll Free in the U.S.  
(888) 295-4531

# PATRIOT

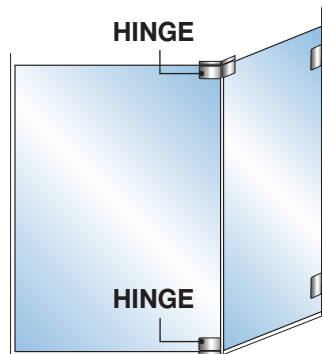
135° Glass-to-Glass Hinge With Attached U-Clamp

ITEM NO. PAT0735L (Left Hinge)

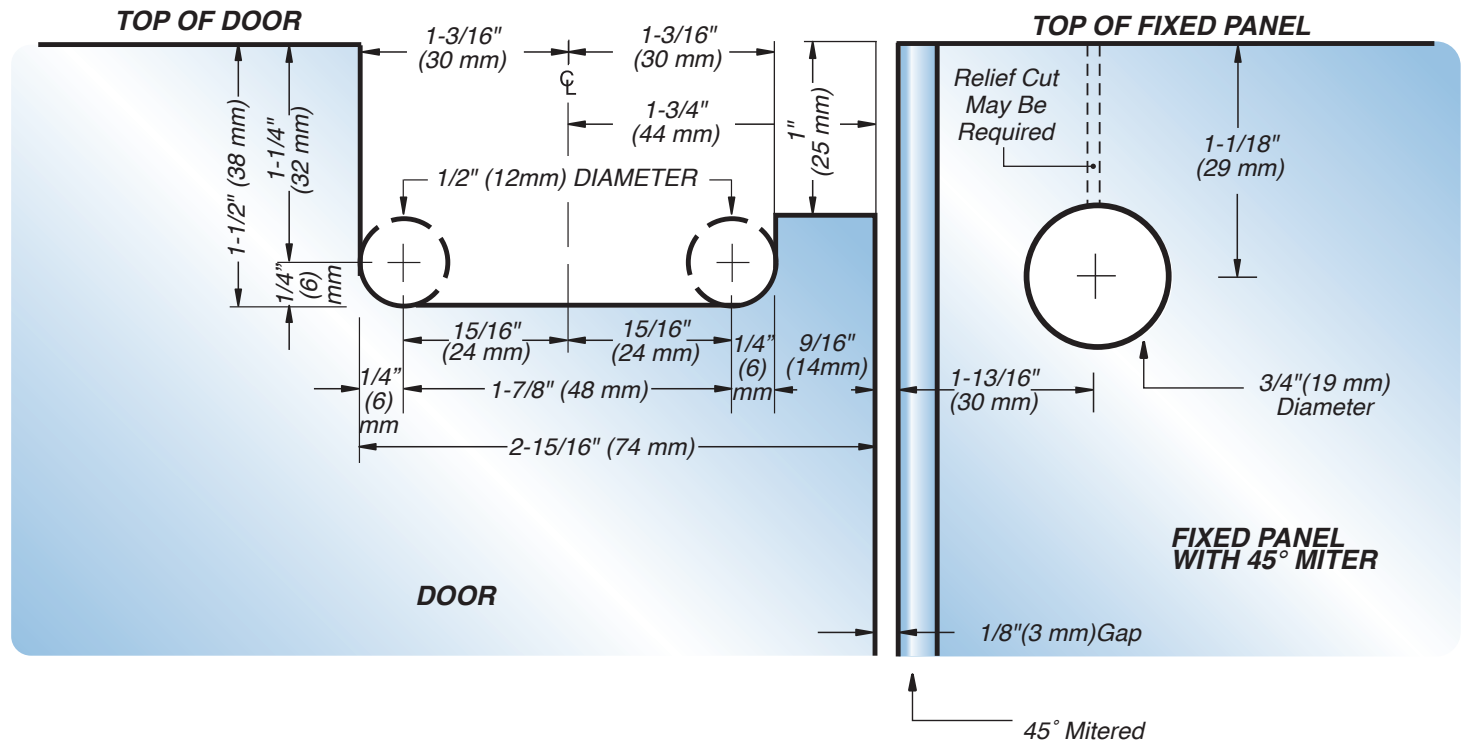
ITEM NO. PAT0735R (Right Hinge)

Edge Mount Alternate Method

## TYPICAL INSTALLATION



7/16" (11 mm)  
Gap



USE ONLY HINGE  
MONOLITHIC  
TEMPERED GLASS



For Technical Support  
Call Toll Free in the U.S.  
(888) 295-4531

FRAMELESS HARDWARE COMPANY

P.O. Box 1906, South Gate, CA 90280

Toll Free: (888) 295-4531

Fax: (323) 336-8307

Web: fhc-usa.com

**FHC**<sup>®</sup>  
FRAMELESS HARDWARE COMPANY  
THE GLAZING SUPPLY COMPANY

# PATRIOT

135° Glass-to-Glass Hinge With Attached U-Clamp

ITEM NO. PAT0735L (Left Hinge)

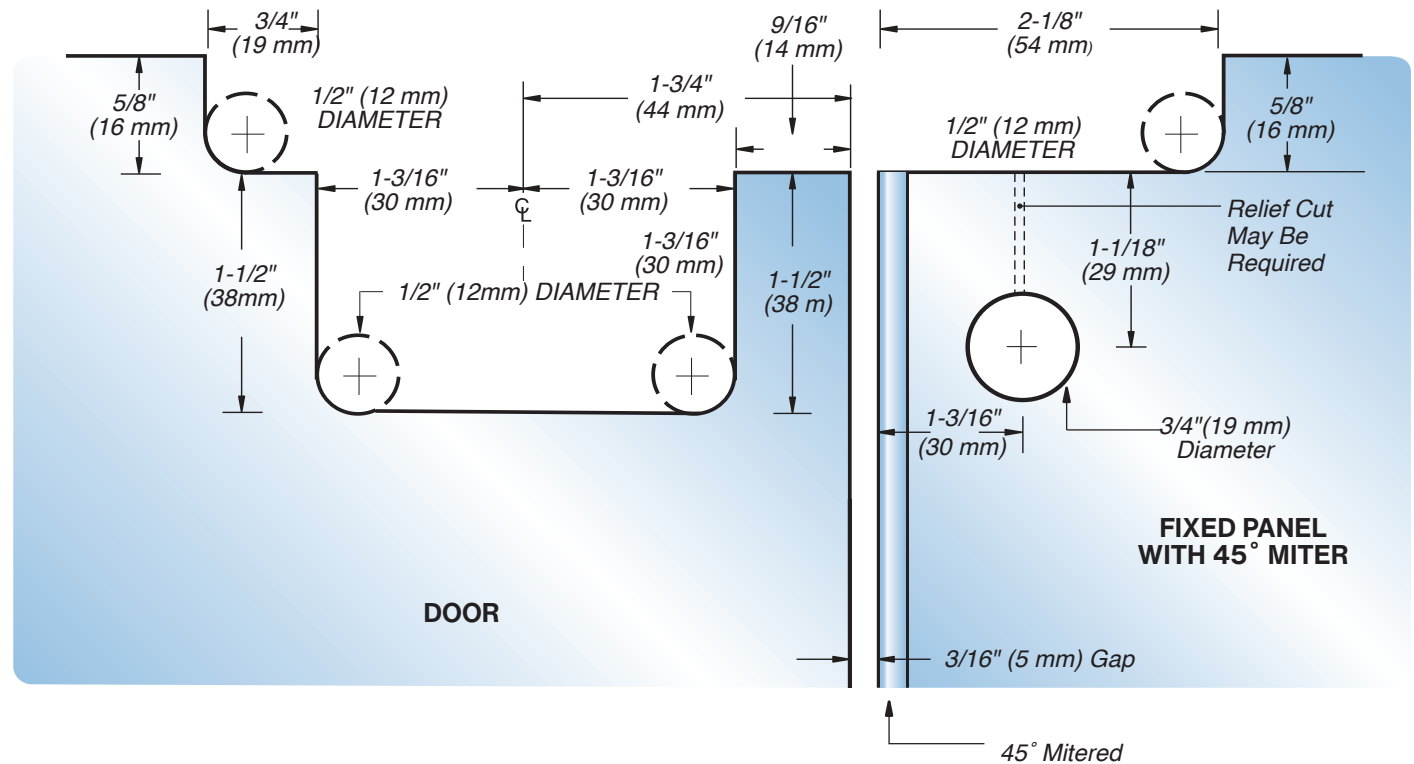
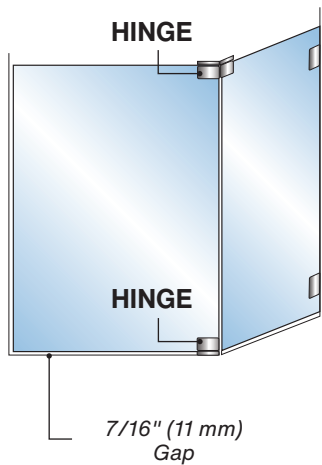
ITEM NO. PAT0735R (Right Hinge)

Top Flush Mount Method



DO NOT MEASURE / SCALE DRAWING  
USE DIMENSIONS SHOWN

## TYPICAL INSTALLATION



USE ONLY HINGE  
MONOLITHIC  
TEMPERED GLASS



For Technical Support  
Call Toll Free in the U.S.  
(888) 295-4531

FRAMELESS HARDWARE COMPANY

P.O. Box 1906, South Gate, CA 90280

Toll Free: (888) 295-4531

Fax: (323) 336-8307

Web: fhc-usa.com

# FHC

FRAMELESS HARDWARE COMPANY  
THE GLAZING SUPPLY COMPANY

# PATRIOT

135° Glass-to-Glass Hinge With Attached U-Clamp

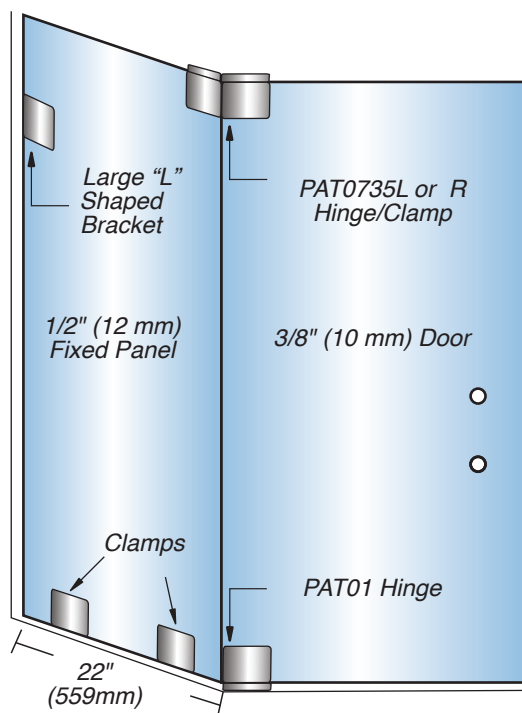
ITEM NO. PAT0735L (Left Hinge)

ITEM NO. PAT0735R (Right Hinge)

Patriot Series Top or Bottom Mount Pivot Hinge With Attached U-Clamp For 3/8" (10 mm) Thick Tempered Glass

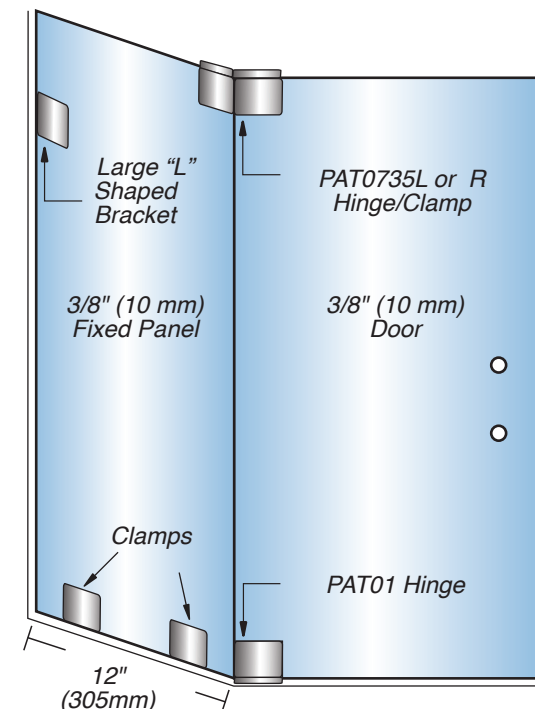
## DESIGN AND INSTALLATION CRITERIA:

- Door Glass to Be 3/8" (10mm) Thick
- Fixed Panel to Be 3/8" or 1/2" (10 or 12mm) Thick
- 3/8" (10mm) Glass Fixed Panel From Which Door is Hinged/Clamped Can't Exceed 12" (305mm) Width, or 84" (2.13m) in Height
- 1/2" (12mm) Glass Fixed Panel From Which Door is Hinged/Clamped Can't Exceed 22" (559mm) in Width, or 84" (2.13m) in Height
- Door Width Not to Exceed 31" (787mm)
- Door Weight Not to Exceed 100 Pounds (45kg)
- Must Use Large "L" Shaped Wall Mounting Brackets Fastened to Vertical Wall On the Fixed Panel From Which the Door is Hinged/Clamped
- Only a Fixed Panel Fastened to a Vertical Wall Can Be Used to Hinge/Clamp from. No Hinging/Clamping From a Fixed Panel Fastened to Another Fixed Panel
- Fixed Panel From Which the Door Hinges/Clamps Must Have Valid Bottom Support



## TYPICAL INSTALLATION:

Showing 22" Wide (559 mm)  
1/2" (12 mm) Thick Fixed Panel  
PAT01 Hinge Used at Bottom of Door



## TYPICAL INSTALLATION:

Showing 12" Wide (305 mm)  
3/8" (10 mm) Thick Fixed Panel  
PAT01 Hinge Used at Top and Bottom of Door



USE ONLY  
MONOLITHIC  
TEMPERED GLASS



For Technical Support  
Call Toll Free in the U.S.  
(888) 295-4531