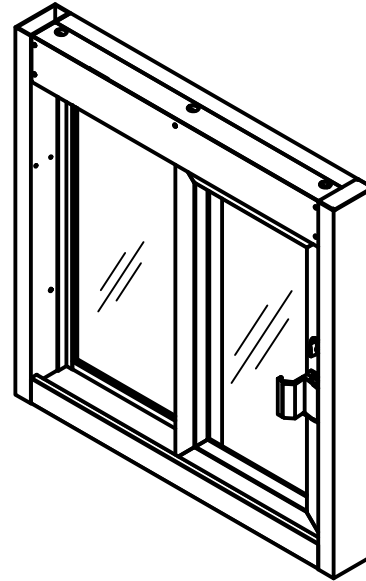
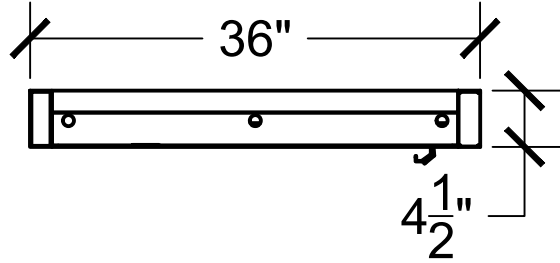
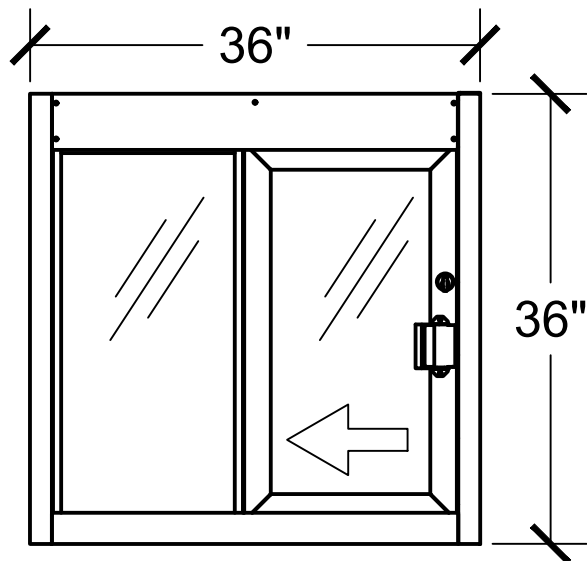


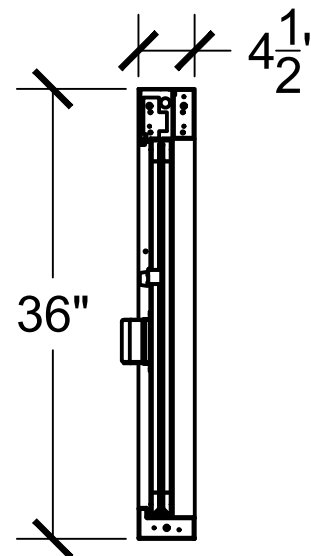
Top View



Interior Front View



Side View



PLEASE SELECT:

1. FRAMING:

- Aluminum
- UL Rated Alum

2. FRAME COLOR:

- Bronze Anodized
- Clear Anodized

Other: _____

3. GLAZING:

- 1/4" Tempered
- 1" Insulated
- 3/4" Poly - L1
- 1-1/4" Acrylic - L1
- 1-1/4" Poly - L3
- 1-1/4" Acrylic - L3
- Storm Impact Low-E

Other: _____

Key Notes

Unit:

SC-3030 (RIGHT)

Actual Dimension:

36"(W) x 36"(H)

Rough Opening:

36 3/8"(W) x 36 3/8"(H)

Service Opening:

14 1/2"(W) x 29"(H)

Engineer Notes

Date drawn: 5/27/2020

Drawn by: Avasquez

File name: SC-3030.dwg

Page: 1 of 1

Scale: 1:16

NOTE: THIS DRAWING EMBODIES A CONFIDENTIAL PROPRIETY DESIGN ORIGINATED AND OWNED BY QUIKSERV CORP., AND IS SUBMITTED UNDER A CONFIDENTIAL RELATIONS ALL PATENT, MANUFACTURING, SALE RIGHTS REGARDING THE SAME ARE RESERVED EXCEPT TO THE EXTENT RIGHTS ARE EXPRESSLY GRANTED TO OTHERS. THE RECIPIENT AGREES BY ACCEPTING THESE DRAWINGS NOT TO SUPPLY OR DISCLOSE ANY INFORMATION REGARDING THEM TO ANY UNAUTHORIZED PERSONAL.

SIGNATURE: _____

DATE: _____

MODEL SC-4040, IFSC-4040, SC-4030, IFSC-4030, SC-3030, IFSC-3030, SC-4030-LP

ROUGH OPENING

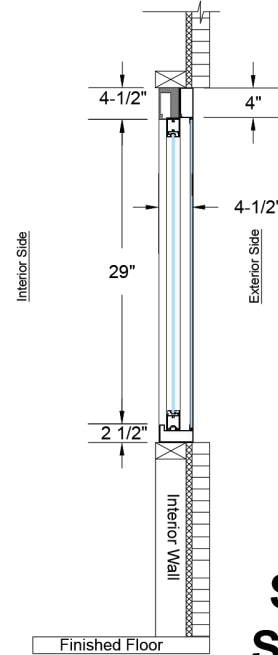
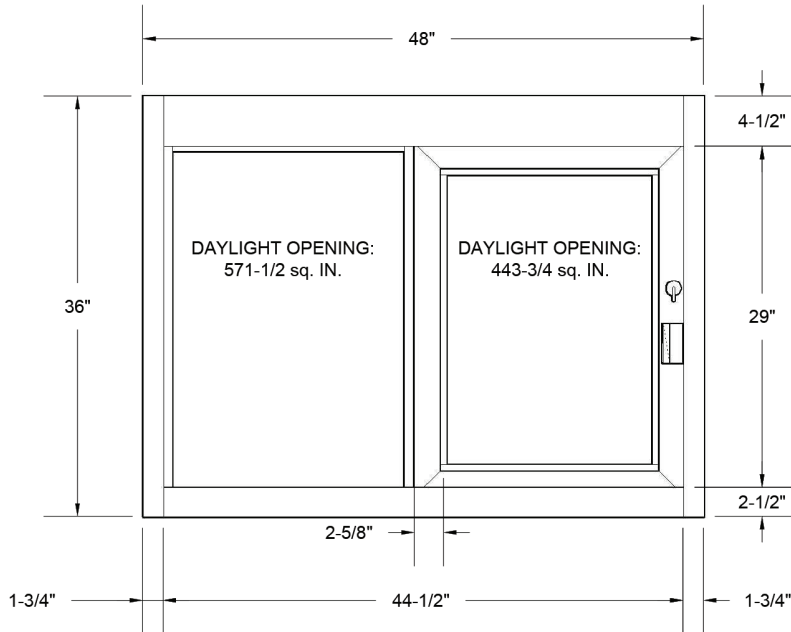
4040 Models: 48-3/8"(w) x 48-3/8"(h)

4030 Models: 48-3/8"(w) x 36-3/8"(h)

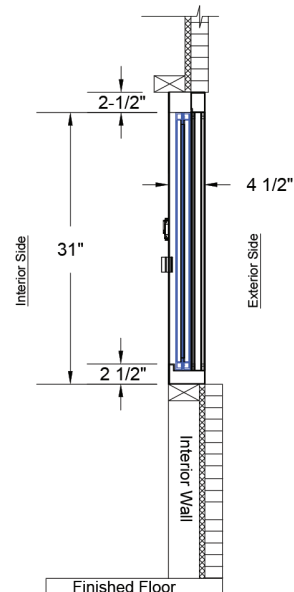
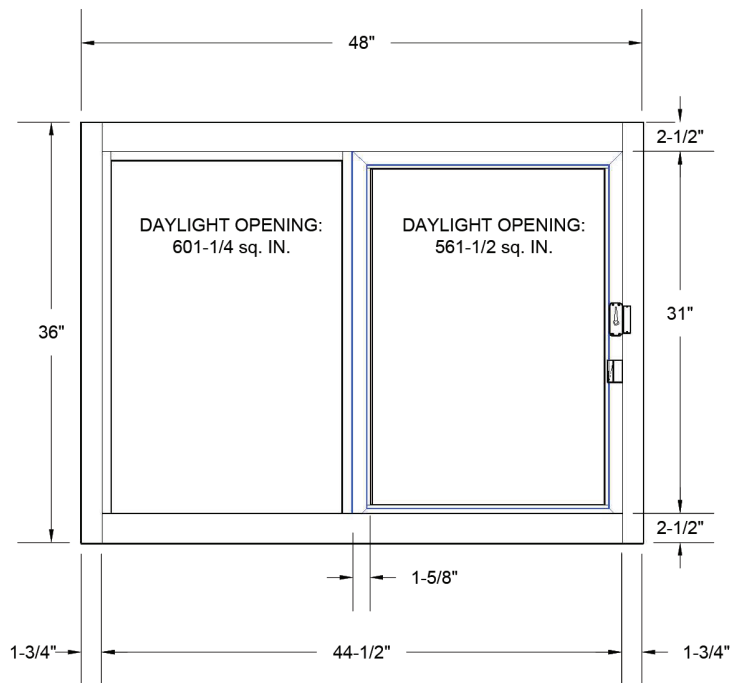
4030 LP Models: 48-3/8"(w) x 36-3/8"(h)

3030 Models: 36-3/8"(w) x 36-3/8"(h)

SC-4030



**SC-4030
Side View**



**SC-4030 LP
Side View**

SC-4030 LP

ALL QUIKSERV PRODUCTS ARE SHIPPED FULLY-ASSEMBLED and READY TO INSTALL. EACH ELECTRICAL UNIT IS SHIPPED WITH A FOUR FOOT (4') BX DROP.