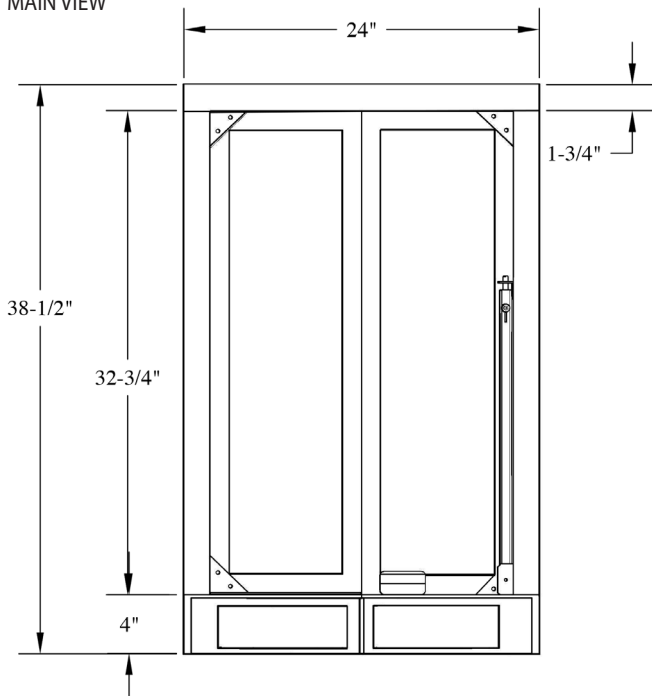


MODEL QSFM1

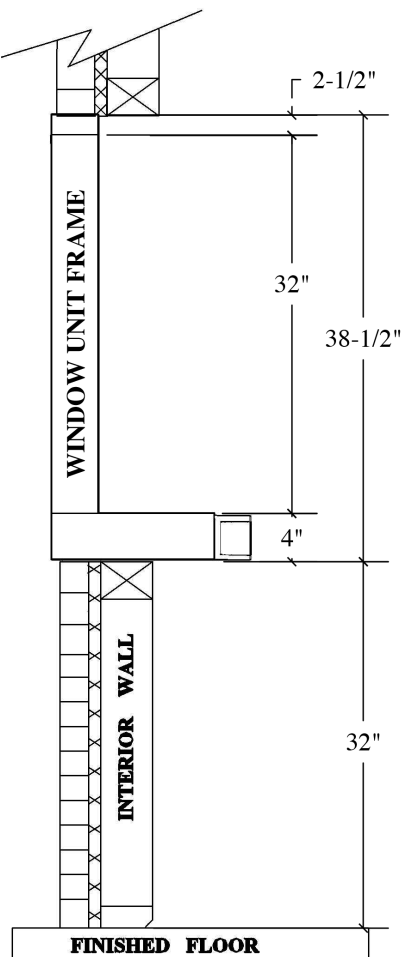
ROUGH OPENING: 24-3/8"(w) x 38-7/8"(h)

SERVICE OPENING: 16"(w) x 32"(h)

MAIN VIEW



SIDE VIEW



MODEL PW1-16, PW2-16 & PW5-16

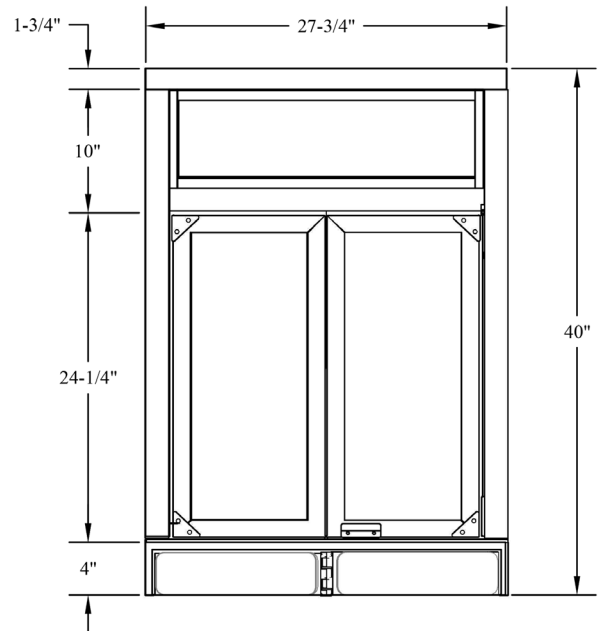
ROUGH OPENING: 28-1/8"(w) x 40-3/8"(h)

SERVICE OPENING: PW1-16 20"(w) x 18-1/4"(h)

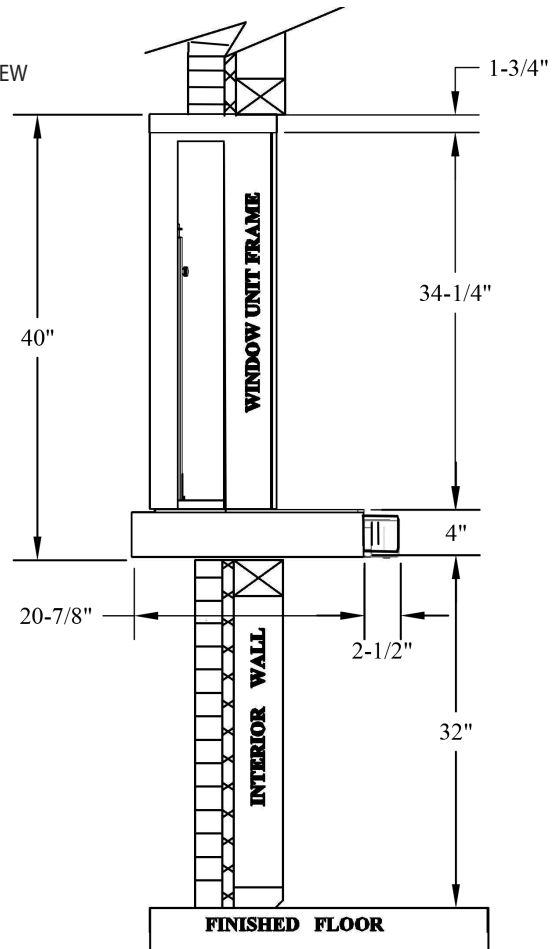
PW2-16 20"(w) x 24-1/4"(h)

PW5-16 20"(w) x 32"(h)

MAIN VIEW



SIDE VIEW



ALL QUIKSERV PRODUCTS ARE SHIPPED FULLY-ASSEMBLED and READY TO INSTALL. EACH ELECTRICAL UNIT IS SHIPPED WITH A FOUR FOOT (4') BX DROP.