

FHC-ADVANCE SERIES FRAMELESS GLASS ENTRANCE SYSTEM

Advance HERC-DOOR[™] Rail

2-1/2" Low Profile Square Door Rail 1/2 or 9/16" Tempered Glass

- Patent Pending UNITIZING GASKET / Dual-Inclined Control Surfaces
- Easiest and Fastest Rail to Install in the Industry
- New Modern Crisp Corner Design
- For 1/2" Monolithic Tempered and 9/16" Laminated Tempered Glass
- Class 1 Anodizing UV Stable Finishes That Will Not Fade
- Increased Glass Bite Improves Holding Strength and Aesthetics
- Solid One Piece Aluminum Housing
- State of the Art Solid Forged Brass Plated End Caps With Premium Finishes
- New Innovative Anti-Clamshell Pad End Cap
- Available With or Without Lock
- Available In a Wide Range of Architectural Finishes
- Accepts Standard Size Mounting Hardware



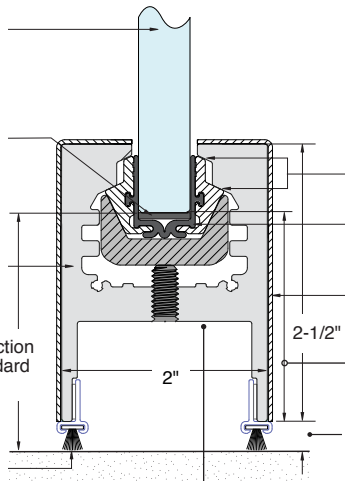
For 1/2" Monolithic Tempered and 9/16" Ionoplast Laminated Glass

Each FHC Door Rail is Factory Designed to Allow for Vertical Adjustment of Plus 1/16" or Minus 1/16" With Our Included Door Rail Setting Blocks.

Solid One Piece Rail Housing

2-1/4" Overall Deduction (Includes 3/8" Standard Clearance)

Optional Weatherstripping Seal Sold Separately Item No. RWS36



Patent Pending Dual-Inclined Bearing Surface Controls Angularity and Self Centering of the Rail

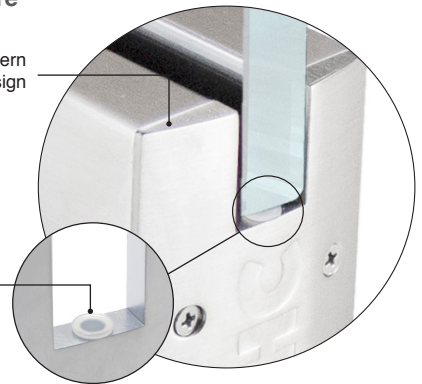
Patent Pending Unitizing Clamping Gasket

Cladding Included on Stainless Steel and Brass Finishes

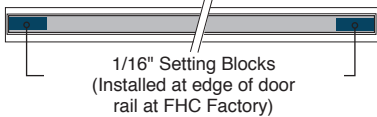
FHC Low Profile Rails are Factory Prepped Directly to Door Rail Web

New Modern Crisp Corner Design

New Innovative Built-In Anti-Clamshell Pad



Door Rail Top View



1/16" Setting Blocks (Installed at edge of door rail at FHC Factory)

2-1/2" LOW PROFILE SQUARE DOOR RAILS 35-3/4" LENGTH - STOCK PRODUCTS

WITHOUT LOCK ITEM NO.	WITH LOCK ITEM NO.	DESCRIPTION
R25S12PS	R25S12PSL	Low Profile Square Door Rail 35-3/4" Long Polished Stainless Steel
R25S12BS	R25S12BSL	Low Profile Square Door Rail 35-3/4" Long Brushed Stainless Steel
R25S12SA	R25S12SAL	Low Profile Square Door Rail 35-3/4" Long Satin Anodized
R25S12MB	R25S12MBL	Low Profile Square Door Rail 35-3/4" Long Matte Black (Powder Coat)
R25S12DU	R25S12DUL	Low Profile Square Door Rail 35-3/4" Long Dark Bronze Anodized

CUSTOM LENGTH 2-1/2" LOW PROFILE SQUARE DOOR RAILS SPECIFICATION AS SUPPLIED BY CUSTOMER

WITHOUT LOCK ITEM NO.	WITH LOCK ITEM NO.	DESCRIPTION
R25S12PSC	R25S12PSLC	Custom Low Profile Square Door Rail Length Polished Stainless Steel
R25S12BSC	R25S12BSLC	Custom Low Profile Square Door Rail Length Brushed Stainless Steel
R25S12SAC	R25S12SALC	Custom Low Profile Square Door Rail Length Satin Anodized
R25S12MBC	R25S12MBLC	Custom Low Profile Square Door Rail Length Matte Black (Powder Coat)
R25S12DUC	R25S12DULC	Custom Low Profile Square Door Rail Length Dark Bronze Anodized
R25S12PTC	R25S12PTLC	Custom Low Profile Square Door Rail Length Custom Paint Color

PRODUCT INFO/SPECIFICATIONS:

- CSI Format Specifications are Available for Download
- End Caps are Included with Every Door Rail
- Door Rails With Locks are Supplied Prepped and Installed, Keyed Cylinders, and Thumbturns are Sold Separately
- FHC Follows GANA Guidelines for Maximum Door Height and Widths. Reference the FHC Herc-Door Sizing Guidelines.

CARE & CLEANING

Brushed Stainless Steel, Polished Stainless Steel or Class 1 Anodized Finishes should be cleaned with a foam spray cleaner, such as: FHC GW19 Ammonia Free Cleaner. GW19 cleaner will assist with removing fingerprints, grease and water splatter. GW19 cleaner will also preserve the durable factory finish and can be wiped with a clean, dry cloth. FHC Lint Free Shop Wipes FHC3255 are recommended. These high performance wipes maintain their strength wet or dry and will not scratch the surface.



For Technical Support
Call Toll Free in the U.S.
(888) 295-4531

