

FHC-ADVANCE SERIES FRAMELESS GLASS ENTRANCE SYSTEM

Advance **HERC-DOOR** Rail
FRAMELESS HARDWARE CO.



NEW INNOVATIVE DESIGN

2-1/2" Low Profile Square Door Rail
3/4" or 13/16" Tempered Glass

- Patent Pending UNITIZING GASKET / Dual-Inclined Control Surfaces
- Easiest and Fastest Rail to Install in the Industry
- New Modern Crisp Corner Design
- For 3/4" Monolithic Tempered and 13/16" Laminated Tempered Glass
- Class 1 Anodizing UV Stable Finishes That Will Not Fade
- Increased Glass Bite Improves Holding Strength and Aesthetics
- Solid One Piece Aluminum Housing
- State of the Art Solid Forged Brass Plated End Caps With Premium Finishes
- New Innovative Anti-Clamshell Pad End Cap
- Available With or Without Lock
- Available In a Wide Range of Architectural Finishes
- Accepts Standard Size Mounting Hardware

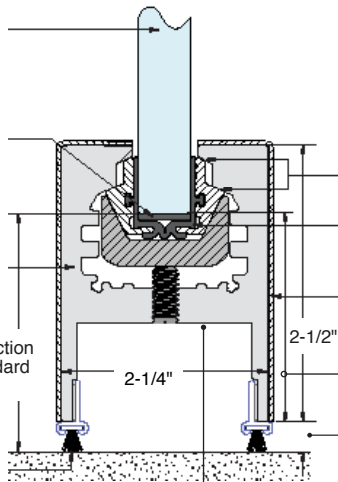
For 3/4" Monolithic Tempered and 13/16" Ionoplast Laminated Glass

Each FHC Door Rail is Factory Designed to Allow for Vertical Adjustment of Plus 1/16" or Minus 1/16" With Our Included Door Rail Setting Blocks.

Solid One Piece Rail Housing

2-1/4" Overall Deduction (Includes 3/8" Standard Clearance)

Optional Weatherstripping Seal Sold Separately Item No. RWS36



Patent Pending Dual-Inclined Bearing Surface Controls Angularity and Self Centering of the Rail

Patent Pending Unitizing Clamping Gasket

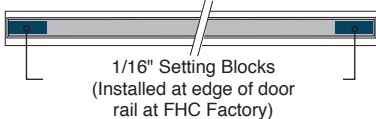
Cladding Included on Stainless Steel and Brass Finishes

1-7/8" Glass Deduction

3/8" Clearance Standard

FHC Low Profile Rails are Factory Prepped Directly to Door Rail Web

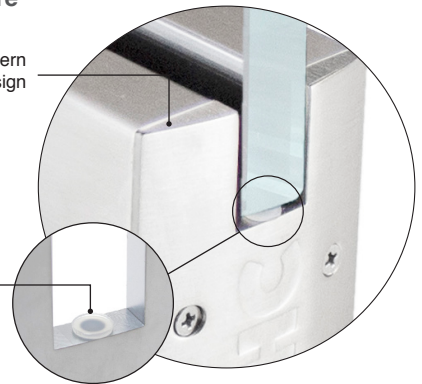
Door Rail Top View



1/16" Setting Blocks (Installed at edge of door rail at FHC Factory)

New Modern Crisp Corner Design

New Innovative Built-In Anti-Clamshell Pad



2-1/2" LOW PROFILE SQUARE DOOR RAILS 35-3/4" LENGTH - STOCK PRODUCTS

| WITHOUT LOCK ITEM NO. | WITH LOCK ITEM NO. | DESCRIPTION |
|-----------------------|--------------------|---|
| R25S34PS | R25S34PSL | Low Profile Square Door Rail 35-3/4" Long Polished Stainless Steel |
| R25S34BS | R25S34BSL | Low Profile Square Door Rail 35-3/4" Long Brushed Stainless Steel |
| R25S34SA | R25S34SAL | Low Profile Square Door Rail 35-3/4" Long Satin Anodized |
| R25S34MB | R25S34MBL | Low Profile Square Door Rail 35-3/4" Long Matte Black (Powder Coat) |
| R25S34DU | R25S34DUL | Low Profile Square Door Rail 35-3/4" Long Dark Bronze Anodized |

CUSTOM LENGTH 2-1/2" LOW PROFILE SQUARE DOOR RAILS SPECIFICATION AS SUPPLIED BY CUSTOMER

| WITHOUT LOCK ITEM NO. | WITH LOCK ITEM NO. | DESCRIPTION |
|-----------------------|--------------------|--|
| R25S34PSC | R25S34PSLC | Custom Low Profile Square Door Rail Length Polished Stainless Steel |
| R25S34BSC | R25S34BSLC | Custom Low Profile Square Door Rail Length Brushed Stainless Steel |
| R25S34SAC | R25S34SALC | Custom Low Profile Square Door Rail Length Satin Anodized |
| R25S34MBC | R25S34MBLC | Custom Low Profile Square Door Rail Length Matte Black (Powder Coat) |
| R25S34DUC | R25S34DULC | Custom Low Profile Square Door Rail Length Dark Bronze Anodized |
| R25S34PTC | R25S34PTLC | Custom Low Profile Square Door Rail Length Custom Paint Color |

PRODUCT INFO/SPECIFICATIONS:

- CSI Format Specifications are Available for Download
- End Caps are Included with Every Door Rail
- Door Rails With Locks are Supplied Prepped and Installed, Keyed Cylinders, and Thumbturns are Sold Separately
- FHC Follows GANA Guidelines for Maximum Door Height and Widths. Reference the FHC Herc-Door Sizing Guidelines.

CARE & CLEANING

Brushed Stainless Steel, Polished Stainless Steel or Class 1 Anodized Finishes should be cleaned with a foam spray cleaner, such as: FHC GW19 Ammonia Free Cleaner. GW19 cleaner will assist with removing fingerprints, grease and water splatter. GW19 cleaner will also preserve the durable factory finish and can be wiped with a clean, dry cloth. FHC Lint Free Shop Wipes FHC3255 are recommended. These high performance wipes maintain their strength wet or dry and will not scratch the surface.



For Technical Support
Call Toll Free in the U.S.
(888) 295-4531

