

# FHC-ADVANCE SERIES FRAMELESS GLASS ENTRANCE SYSTEM

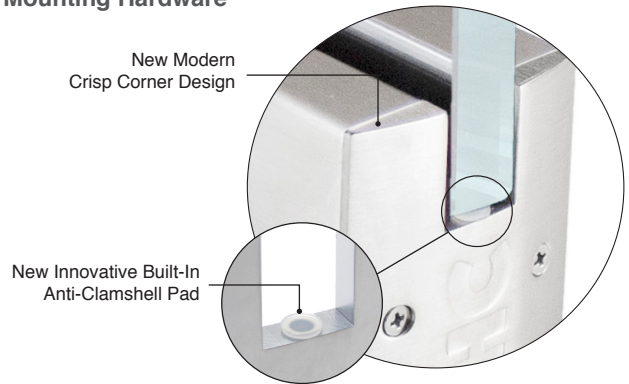
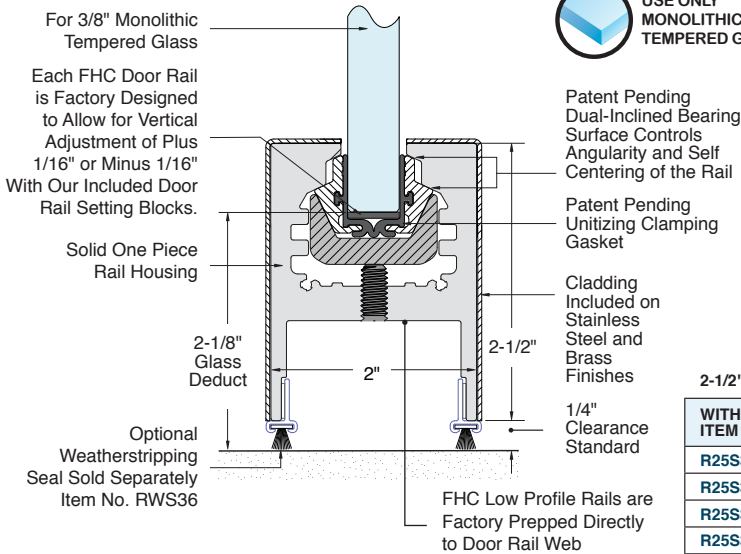
## Advance HERC-DOOR<sup>™</sup> Rail

### 2-1/2" Low Profile Square Door Rail 3/8" Monolithic Tempered Glass

- Patent Pending UNITIZING GASKET / Dual-Inclined Control Surfaces
- Easiest and Fastest Rail to Install in the Industry
- New Modern Crisp Corner Design
- For 3/8" Monolithic Tempered Glass
- Class 1 Anodizing UV Stable Finishes That Will Not Fade
- Increased Glass Bite Improves Holding Strength and Aesthetics
- Solid One Piece Aluminum Housing
- State of the Art Solid Forged Brass Plated End Caps With Premium Finishes
- New Innovative Anti-Clamshell Pad End Cap
- Available With or Without Lock
- Available In a Wide Range of Architectural Finishes
- Accepts Standard Size Mounting Hardware



**NEW  
INNOVATIVE  
DESIGN**



#### 2-1/2" LOW PROFILE SQUARE DOOR RAILS 35-3/4" LENGTH - STOCK PRODUCTS

WITHOUT LOCK ITEM NO.	WITH LOCK ITEM NO.	DESCRIPTION
R25S38PS	R25S38PSL	Low Profile Square Door Rail 35-3/4" Long Polished Stainless Steel
R25S38BS	R25S38BSL	Low Profile Square Door Rail 35-3/4" Long Brushed Stainless Steel
R25S38SA	R25S38SAL	Low Profile Square Door Rail 35-3/4" Long Satin Anodized
R25S38MB	R25S38MBL	Low Profile Square Door Rail 35-3/4" Long Matte Black (Powder Coat)
R25S38DU	R25S38DUL	Low Profile Square Door Rail 35-3/4" Long Dark Bronze Anodized

#### CUSTOM LENGTH 2-1/2" LOW PROFILE SQUARE DOOR RAILS SPECIFICATION AS SUPPLIED BY CUSTOMER

WITHOUT LOCK ITEM NO.	WITH LOCK ITEM NO.	DESCRIPTION
R25S38PSC	R25S38PSLC	Custom Low Profile Square Door Rail Length Polished Stainless Steel
R25S38BSC	R25S38BSLC	Custom Low Profile Square Door Rail Length Brushed Stainless Steel
R25S38SAC	R25S38SALC	Custom Low Profile Square Door Rail Length Satin Anodized
R25S38MBC	R25S38MBLC	Custom Low Profile Square Door Rail Length Matte Black (Powder Coat)
R25S38DUC	R25S38DULC	Custom Low Profile Square Door Rail Length Dark Bronze Anodized
R25S38PTC	R25S38PTLC	Custom Low Profile Square Door Rail Length Custom Paint Color

#### PRODUCT INFO/SPECIFICATIONS:

- CSI Format Specifications are Available for Download
- End Caps are Included with Every Door Rail
- Door Rails With Locks are Supplied Prepped and Installed, Keyed Cylinders, and Thumbturns are Sold Separately
- FHC Follows GANA Guidelines for Maximum Door Height and Widths. Reference the FHC Herc-Door Sizing Guidelines.

#### CARE & CLEANING

Brushed Stainless Steel, Polished Stainless Steel or Class 1 Anodized Finishes should be cleaned with a foam spray cleaner, such as: FHC GW19 Ammonia Free Cleaner. GW19 cleaner will assist with removing fingerprints, grease and water splatter. GW19 cleaner will also preserve the durable factory finish and can be wiped with a clean, dry cloth. FHC Lint Free Shop Wipes FHC3255 are recommended. These high performance wipes maintain their strength wet or dry and will not scratch the surface.



For Technical Support  
Call Toll Free in the U.S.  
**(888) 295-4531**

