

FHC-ADVANCE SERIES FRAMELESS GLASS ENTRANCE SYSTEM

Advance **HERC-DOOR** Rail

4" Square Door Rail 3/4" or 13/16" Tempered Glass

- Patent Pending UNITIZING GASKET / Dual-Inclined Control Surfaces
- Easiest and Fastest Rail to Install in the Industry
- New Modern Crisp Corner Design
- For 3/4" Monolithic Tempered and 13/16" Laminated Tempered Glass
- Class 1 Anodizing UV Stable Finishes That Will Not Fade
- New Improved Pivot Alignment System "PAS" Included With Each Rail
- Increased Glass Bite Improves Holding Strength and Aesthetics
- Solid One Piece Aluminum Housing
- State of the Art Solid Forged Brass Plated End Caps With Premium Finishes
- New Innovative Anti-Clamshell Pad End Cap
- Available With or Without Lock
- Available In a Wide Range of Architectural Finishes

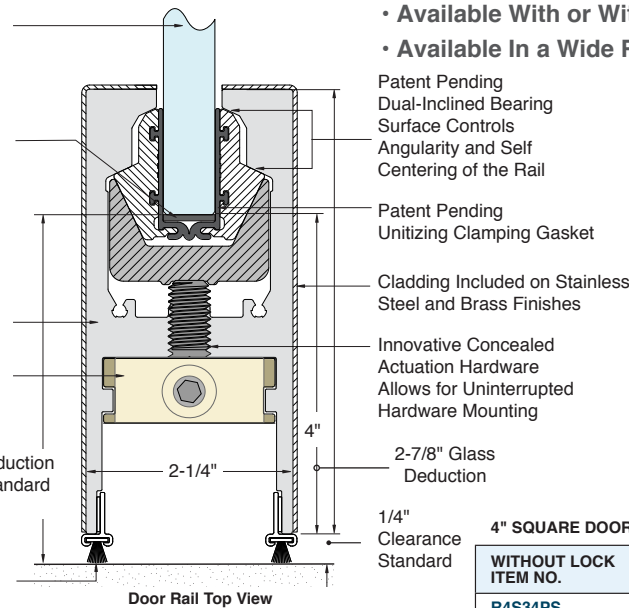


For 3/4" Monolithic Tempered and 13/16" Ionoplast Laminated Glass

Each FHC Door Rail is Factory Designed to Allow for Vertical Adjustment of Plus 1/8" or Minus 1/16" With Our Included Door Rail Setting Blocks.

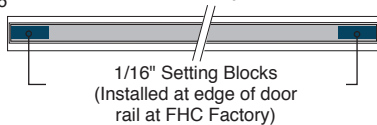
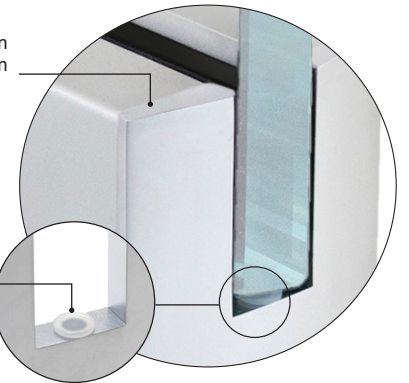
Solid One Piece Rail Housing
PAS Pivot Alignment System With Hardware Mounting Block Allows 3/8" Adjustments

3-1/8" Overall Deduction (Includes 1/4" Standard Clearance)
Optional Weatherstripping Seal Sold Separately Item No. RWS36



New Modern Crisp Corner Design

New Innovative Built-In Anti-Clamshell Pad



4" SQUARE DOOR RAILS 35-3/4" LENGTH - STOCK PRODUCTS

WITHOUT LOCK ITEM NO.	WITH LOCK ITEM NO.	DESCRIPTION
R4S34PS	R4S34PSL	Square Door Rail 35-3/4" Long Polished Stainless Steel
R4S34BS	R4S34BSL	Square Door Rail 35-3/4" Long Brushed Stainless Steel
R4S34SA	R4S34SAL	Square Door Rail 35-3/4" Long Satin Anodized
R4S34MB	R4S34MBL	Square Door Rail 35-3/4" Long Matte Black (Powder Coat)
R4S34DU	R4S34DUL	Square Door Rail 35-3/4" Long Dark Bronze Anodized

CUSTOM LENGTH 4" SQUARE DOOR RAILS - SPECIFICATION AS SUPPLIED BY CUSTOMER

WITHOUT LOCK ITEM NO.	WITH LOCK ITEM NO.	DESCRIPTION
R4S34PSC	R4S34PSLC	Custom Square Door Rail Length Polished Stainless Steel
R4S34BSC	R4S34BSLC	Custom Square Door Rail Length Brushed Stainless Steel
R4S34SAC	R4S34SALC	Custom Square Door Rail Length Satin Anodized
R4S34MBC	R4S34MBLC	Custom Square Door Rail Length Matte Black (Powder Coat)
R4S34DUC	R4S34DULC	Custom Square Door Rail Length Dark Bronze Anodized
R4S34PTC	R4S34PTLC	Custom Square Door Rail Length Custom Paint Color

PRODUCT INFO/SPECIFICATIONS:

- CSI Format Specifications are Available for Download
- End Caps are Included with Every Door Rail
- Door Rails With Locks are Supplied Prepped and Installed, Keyed Cylinders, and Thumbturns are Sold Separately
- FHC Follows GANA Guidelines for Maximum Door Height and Widths. Reference the FHC Herc-Door Sizing Guidelines.

CARE & CLEANING

Brushed Stainless Steel, Polished Stainless Steel or Class 1 Anodized Finishes should be cleaned with a foam spray cleaner, such as: FHC GW19 Ammonia Free Cleaner. GW19 cleaner will assist with removing fingerprints, grease and water splatter. GW19 cleaner will also preserve the durable factory finish and can be wiped with a clean, dry cloth. FHC Lint Free Shop Wipes FHC3255 are recommended. These high performance wipes maintain their strength wet or dry and will not scratch the surface.



For Technical Support
Call Toll Free in the U.S.
(888) 295-4531

